



# AIR CONDITIONING SYSTEMS

## CONSOLE TYPE

- **USER'S MANUAL**
- **ΕΓΧΕΙΡΙΔΙΟ ΧΡΗΣΗΣ**
- **MANUAL UTILIZATORULUI**
- **BENUTZERHANDBUCH**



### **MODELS:**

V7LI-12WiFiR/U7RS-12  
V7LI-18WiFiR/U7RS-18



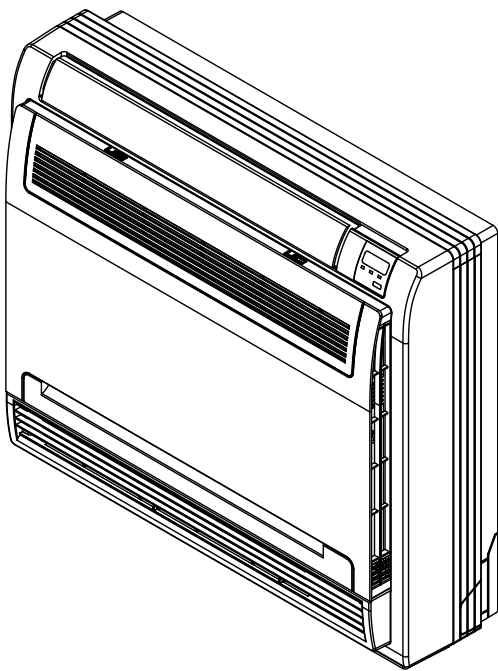
# Table of Contents

## Owner's Manual

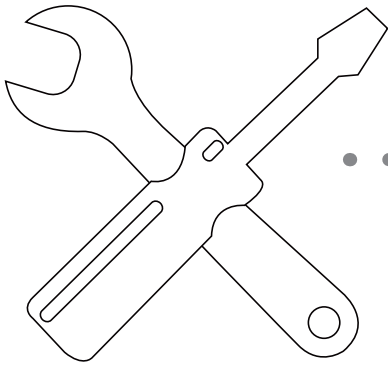
**1** Safety Precautions .....04



**2** Indoor Unit Parts and Major Functions..... 06

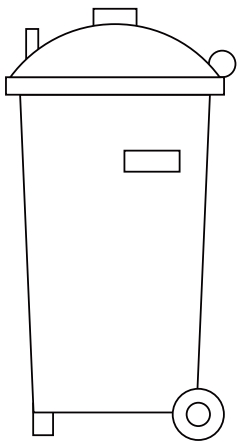
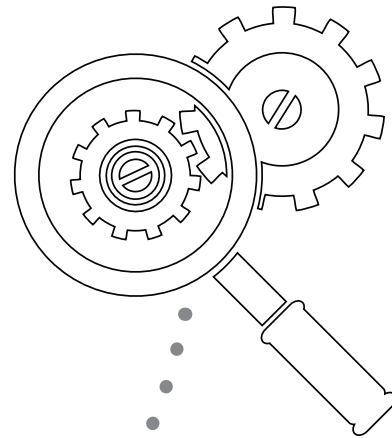


**3** Manual Operations..... 09



<b>4</b>	Care and Maintenance .....	10
	a. Unit Maintenance .....	10
	b. How to Clean the Air Filter .....	10
	c. Repairing Refrigerant Leaks .....	12
	d. Preparation for Periods of Non-use .....	12

<b>5</b>	Troubleshooting.....	13
	a. Common Problems.....	13
	b. Troubleshooting Tips.....	14



<b>6</b>	European Disposal Guidelines..	16
----------	--------------------------------	----



Caution: **Risk of fire/  
flammable materials**

**WARNING:** Servicing shall only be performed as recommended by the equipment manufacturer. Maintenance and repair requiring the assistance of other skilled personnel shall be carried out under the supervision of the person competent in the use of flammable refrigerants. For more details, please refer to the Information on servicing on INSTALLATION MANUAL. (This is only required for the unit adopts R32/F290 Refrigerant.)

# Safety Precautions

# 1

Thank you for purchasing this air conditioner. This manual will provide you with information on how to operate, maintain, and troubleshoot your air conditioner. Following the instructions will ensure the proper function and extended lifespan of your unit.

**Please pay attention to the following signs:**



**WARNING**

**Failure to observe a warning may result in death. The appliance must be installed in accordance with national regulations**



**CAUTION**

**Failure to observe a caution may result in injury or equipment damage.**



## **WARNING**

- Ask an authorized dealer to install this air conditioner. Inappropriate installation may cause water leakage, electric shock, or fire.
- The warranty will be voided if the unit is not installed by professionals.
- If abnormal situation arises (like burning smell), turn off the power supply and call your dealer for instructions to avoid electric shock, fire or injury.
- **DO NOT** let the indoor unit or the remote control get wet. It may cause electric shock or fire.
- **DO NOT** insert fingers, rods or other objects into the air inlet or outlet. This may cause injury, since the fan may be rotating at high speeds.
- **DO NOT** use a flammable spray such as hair spray, lacquer or paint near the unit. This may cause fire or combustion.
- Do not use means to accelerate the defrosting process or to clean, other than those recommended by the manufacturer.
- The appliance shall be stored in a room without continuously operating ignition sources (for example: open flames, an operating gas appliance or an operating electric heater).
- The appliance shall be stored so as to prevent mechanical damage from occurring.

- Be aware that the refrigerants may not contain an odour.
- Compliance with national gas regulations shall be observed.
- Keep ventilation openings clear of obstruction.  
**NOTE:** The following informations are required for the units adopt RB2/R290 Refrigerant.
- **DO NOT** pierce or burn.
- A warning that the appliance shall be stored in a well-ventilated area where the room size corresponds to the room area as specified for operation.
- Any person who is involved with working on or breaking into a refrigerant circuit should hold a current valid certificate from an industry-accredited assessment authority, which authorises their competence to handle refrigerants safely in accordance with an industry recognised assessment specification.
- Servicing shall only be performed as recommended by the equipment manufacturer. Maintenance and repair requiring the assistance of other skilled personnel shall be carried out under the supervision of the person competent in the use of flammable refrigerants.
- If the supply cord is damaged, it must be replaced by the manufacturer, its service agent or similarly qualified persons in order to avoid a hazard.





## CAUTION

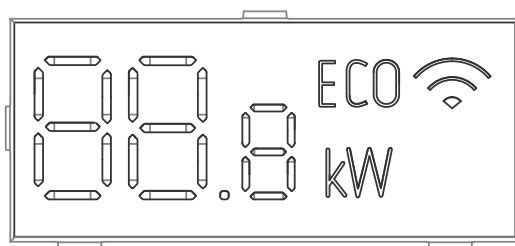
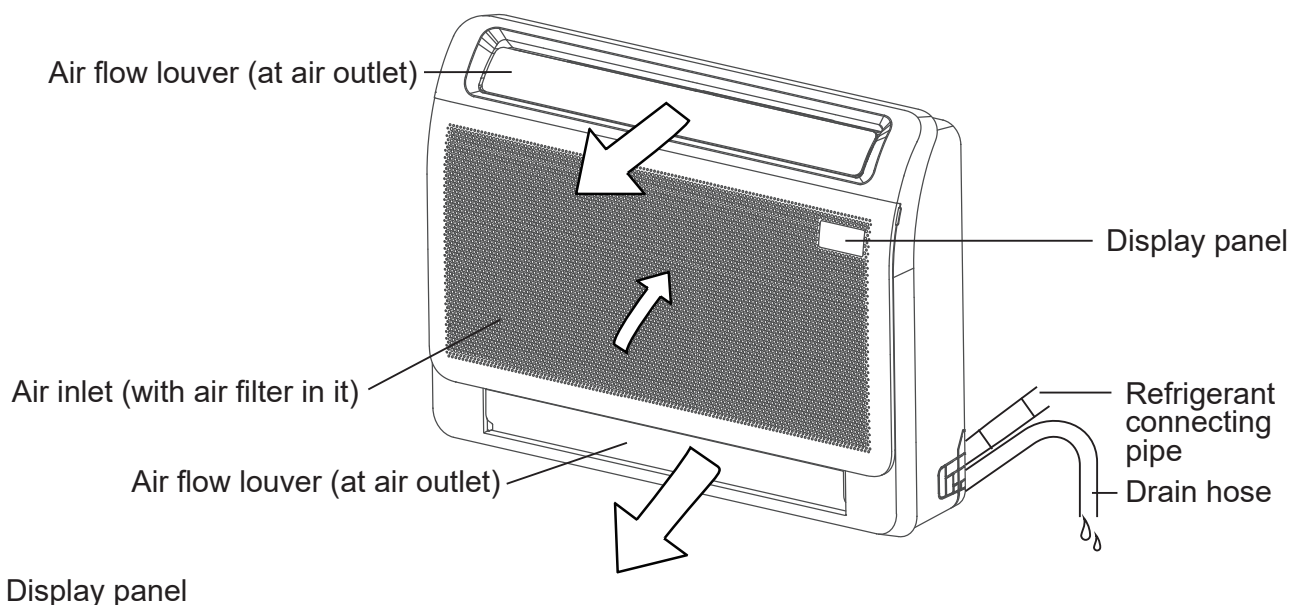
- **DO NOT** touch the air outlet while the swing flap is in motion. Fingers might get caught or the unit may break down.
  - **DO NOT** inspect the unit by yourself. Ask an authorized dealer to perform the inspection.
  - To prevent product deterioration, do not use the air conditioner for preservation purposes (storage of food, plants, animals, works of art, etc.).
  - **DO NOT** touch the evaporator coils inside the indoor unit. The evaporator coils are sharp and may cause injury.
  - **DO NOT** operate the air conditioner with wet hands. It may cause electric shock.
  - **DO NOT** place items that might be affected by moisture damage under the indoor unit. Condensation can occur at a relative humidity of 80%.
  - **DO NOT** expose heat-producing appliances to cold air or place them under the indoor unit. This may cause incomplete combustion or deformation of the unit due to the heat.
  - After long periods of usage, check the indoor unit to see if anything is damaged. If the indoor unit is damaged, it may fall and cause injury.
  - If the air conditioner is used together with other heating devices, thoroughly ventilate the room to avoid oxygen deficiency.
  - **DO NOT** climb onto or place objects on top of the outdoor unit.
  - **DO NOT** operate the air conditioner when using fumigant insecticides. The chemicals may become layered with the unit and endanger those who are hypersensitive to chemicals.
  - **DO NOT** let children play with the air conditioner.
  - **DO NOT** operate the air conditioner in a wet room (e.g. bathroom or laundry room). This can cause electrical shock and cause the product to deteriorate.
- This appliance can be used by children aged from 8 years and above and persons with reduced physical, sensory or mental capabilities or lack of experience and knowledge if they have been given supervision or instruction concerning use of the appliance in a safe way and understand the hazards involved. Children shall not play with the appliance. Cleaning and user maintenance shall not be made by children without supervision.
  - The appliance shall be installed in accordance with national wiring regulations.
  - The indoor unit must be installed 2,5m above floor.
  - An all-pole disconnection device which has at least 3mm separation distance in all pole and a residual current device (RCD) with the rating of above 10mA shall be incorporated in the fixed wiring according to the national rule.


# Indoor Unit Parts And Major Functions

# 2

## Unit Parts

**NOTE:** This display panel on the indoor unit can be used to operate the unit in case the remote control has been misplaced or is out of batteries.



- **88.8** Displays temperature and Error codes:
  - "DF" when defrosting (for model B cooling & heating units)
  - "ON" for 3 seconds when:
    - TIMER ON is set
    - SWING or SILENCE is turned on
  - "OF" for 3 seconds when:
    - TIMER OFF is set
    - SWING or SILENCE is turned off
  - "CL" when unit is self-cleaning
  - "FP" when 8 C heating feature is turned on
- **ECO** When ECO function (some units) is activated.
-  when Wireless Control feature is activated (some units)

## Operating Conditions

Use the system under the following temperatures for safe and effective operation. If the air conditioner is used under different conditions, it may malfunction or become less efficient.

	COOL Mode	HEAT Mode	DRY Mode
<b>Indoor Temperature</b>	16-32°C (62-90°F)	0-30°C (32-86°F)	10-32°C (50-90°F)
<b>Outdoor Temperature</b>	0-50°C (32-122°F)	-15-24°C (5-75°F)	0-50°C (32-122°F)
	-15-50°C (5-122°F) (low temperature cooling models)		

## Features

### Default Setting

When the air conditioner restarts after a power failure, it will default to the factory settings (AUTO mode, AUTO fan, 24°C (76°F)). This may cause inconsistencies on the remote control and unit panel. Use your remote control to update the status.

### Auto-Restart

In case of power failure, the system will immediately stop. When power returns, the Operation light on the indoor unit will flash. To restart the unit, press the ON/OFF button on the remote control. If the system has an auto restart function, the unit will restart using the same settings.

### Louver Angle Memory Function

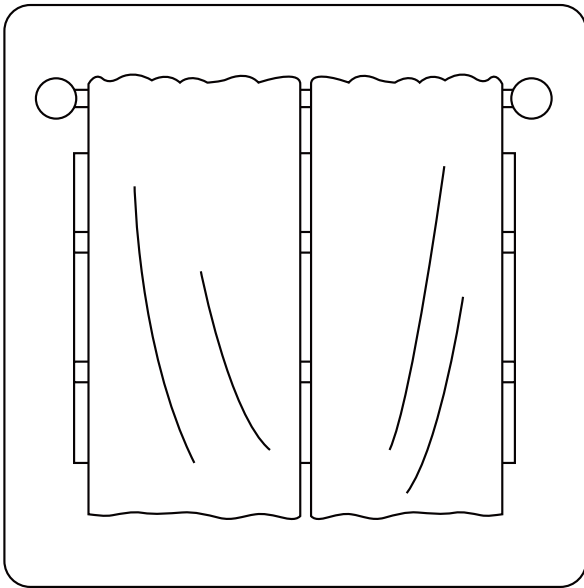
Some models are designed with a louver angle memory function. When the unit restarts after a power failure, the angle of the horizontal louvers will automatically return to the previous position. The angle of the horizontal louver should not be set too small as condensation may form and drip into the machine. To reset the louver, press the manual button, which will reset the horizontal louver settings.

### Refrigerant Leak Detection System

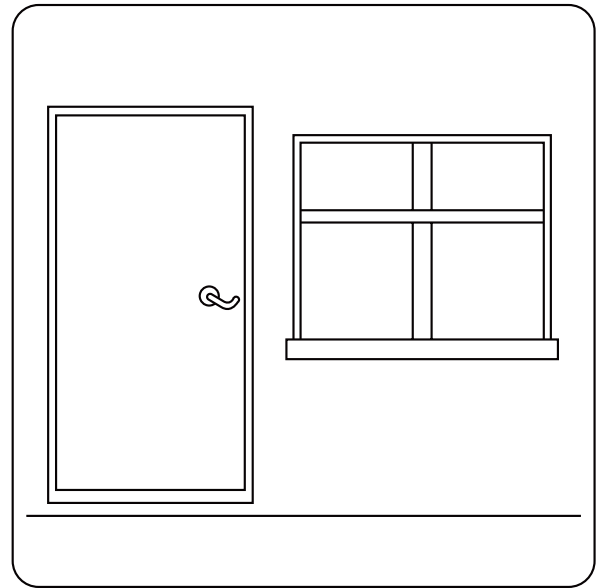
In the event of a refrigerant leak, the LCD screen will display "EC" or "ELoC" and the LED indicator light will flash.

## Energy Saving Tips

- **DO NOT** set the unit to excessive temperature levels.
- While cooling, close the curtains to avoid direct sunlight.
- Doors and windows should be kept closed to keep cool or warm air in the room.
- **DO NOT** place objects near the air inlet and outlet of the unit. This will reduce the efficiency of the unit.
- Set a timer and use the built-in SLEEP/ECONOMY mode if applicable.
- If you don't plan to use the unit for a long time, remove the batteries from the remote control.
- Clean the air filter every two weeks. A dirty filter can reduce cooling or heating efficiency.
- Adjust louvers properly and avoid direct airflow.



**Closing curtains during heating also helps keep the heat in**



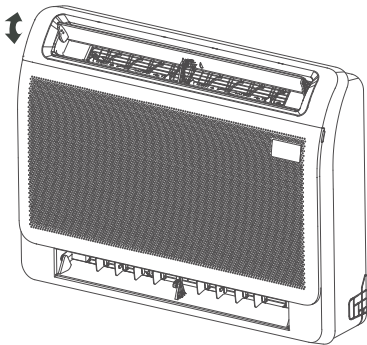
**Doors and windows should be kept closed**

# Manual Operations

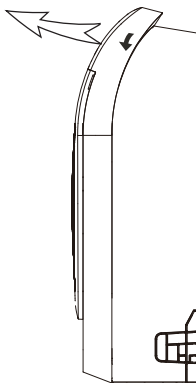
# 3

## Adjusting Air Flow Direction

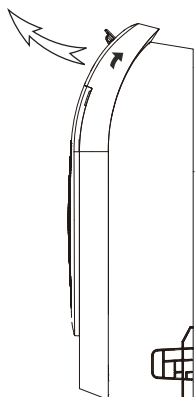
- **Manual Swing:** Press Air Direction to fix the louver at a desired angle. The louver swings (upward or downward) at a different angle with each press of the button. The air direction can be changed by manually adjusting air louver.



- **When cooling**  
Adjust the louver downwards (horizontally).




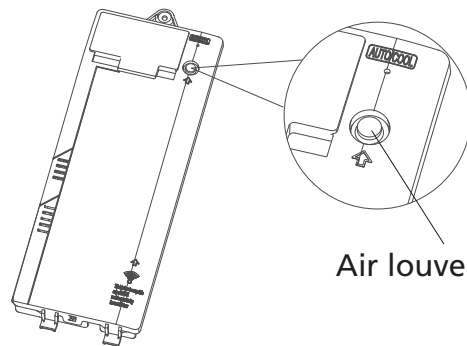
- **When heating**  
Adjust the louver vertically.



### CAUTION

Do not try to adjust the horizontal louver by hand. This may cause damage the mechanism and result in condensation forming on the air outlets.

- **Lower air louver switch setting**  
Under the condition of meeting the ambient temperature, the lower air louver can be opened when the unit is turned on.  
To select whether the lower air louver is on or off, use the button on the electric control box. Within 10 minutes of power-on, press  it for 5 seconds to enter the mode in standby state. Press it to open or close the lower air louver.



Air louver button

Electric control box

NOTE: During the setting process, the display panel displays the switch status of the lower air louver.  
on - open  
of - closed

# Care And Maintenance

# 4

## Safety Precautions

- Contact an authorized service technician for repair or maintenance. Improper repair and maintenance may cause water leakage, electrical shock, or fire, and may void your warranty.
- **DO NOT** substitute a blown fuse with a higher or lower amperage rated fuse, as this may cause circuit damage or an electrical fire.
- Make sure the drain hose is set up according to the instructions. Failure to do so could cause leakage and result in personal property damage, fire, and electric shock.
- Make sure that all wires are connected properly. Failure to connect wires according to instructions can result in electrical shock or fire.

## Unit Maintenance



### BEFORE CLEANING OR MAINTENANCE

- Always turn off your air conditioning system and disconnect the power supply before cleaning or maintenance.
- **DO NOT** use chemicals or chemically treated cloths to clean the unit.
- **DO NOT** use benzene, paint thinner, polishing powder or other solvents to clean the unit. They can cause the plastic surface to crack or deform.
- **DO NOT** wash the unit under running water. Doing so creates an electrical hazard.
- **DO NOT** use water hotter than 40°C (104°F) to clean the front panel. This can cause the panel to become deformed or discolored.
- Clean the unit using a damp, lint-free cloth and neutral detergent. Dry the unit with a dry, lint-free cloth.

## How To Clean The Air Filter

The filter prevents dust and other particles from entering the indoor unit. Dust buildup can reduce the efficiency of the air conditioner. For optimum efficiency, clean the air filter every two weeks or more frequently if you live in a dusty area. Replace the filter with a new one if it's heavily clogged and unable to be cleaned.

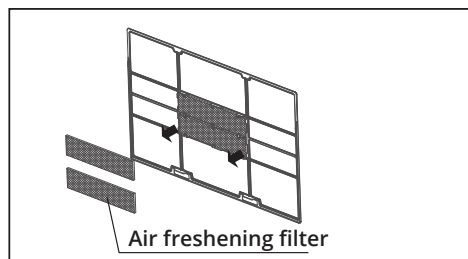
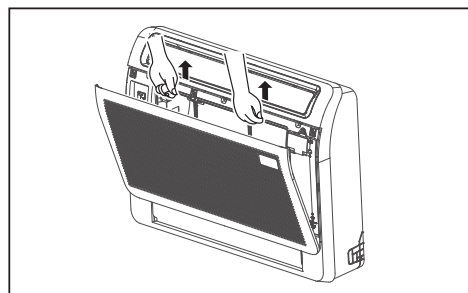
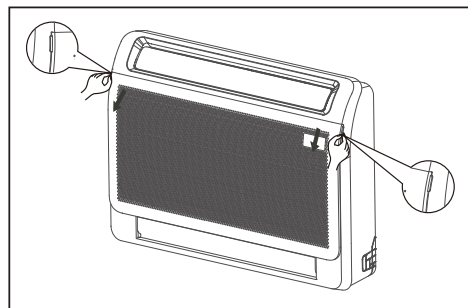


### WARNING: DO NOT REMOVE OR CLEAN THE FILTER BY YOURSELF

Removing and cleaning the filter can be dangerous. Removal and maintenance must be performed by a certified technician.

**NOTE:** In households with animals, you will have to periodically wipe down the grille to prevent animal hair blocking airflow.

1. Pull the left and right handles of the front panel, pull the panel outward, and open the panel.
2. Remove the air filter. Press the claws on the right and left sides of the air filter down slightly, then pull upward.
3. Hold the tabs of the frame, and remove the 4 claws. (The special function filter can be washed with water once every 6 months. It is recommended that you replace it once every 3 years.)



4. Remove the air filter.
5. Clean the air filter by vacuuming the surface or washing it in warm water with mild detergent.
  - A. If using a vacuum cleaner, the inlet side should face the vacuum.

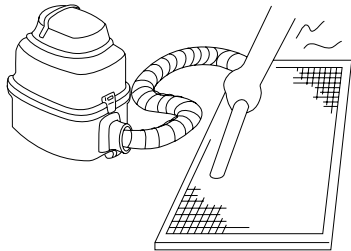


Fig. 4.4

- B. If using water, the inlet side should face down and away from the water stream.

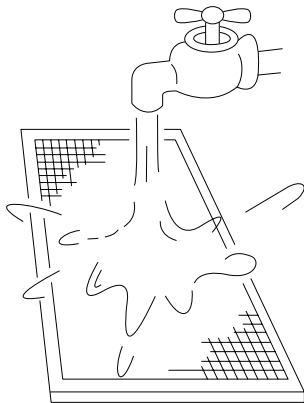


Fig. 4.5

6. Rinse the filter with clean water and allow it to air-dry. **DO NOT** let the filter dry in direct sunlight.
7. Reinstall the filter.

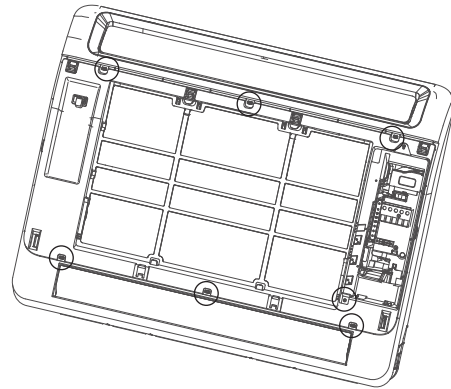


## CAUTION

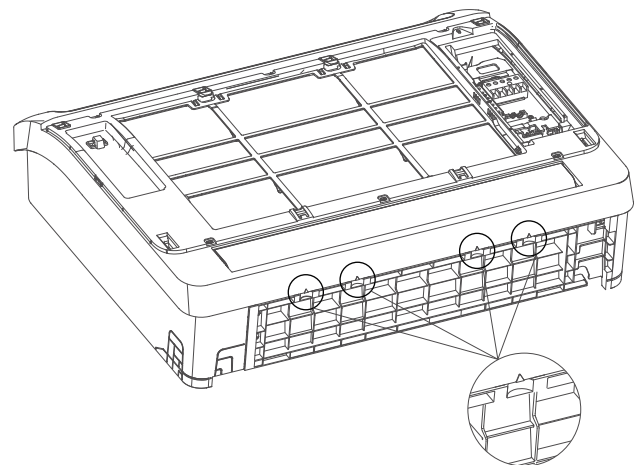
- Before changing the filter or cleaning, turn off the unit and disconnect its power supply.
  - When removing filter, do not touch metal parts in the unit. The sharp metal edges can cut you.
- Do not use water to clean the inside of the indoor unit. This can destroy insulation and cause electrical shock.
- Do not expose filter to direct sunlight when drying. This can shrink the filter.
- Any maintenance and cleaning of outdoor unit should be performed by an authorized dealer or a licensed service provider.
  - Any unit repairs should be performed by an authorized dealer or a licensed service provider.

## Replace internal parts

1. Pull the left and right handles of the front panel, pull the panel outward, and open the panel.
2. Remove the 7 screws on the face frame.



3. Buckle up the snap indicated by the arrow and remove the face frame.



4. Replace internal parts.
5. Install the face frame and panel parts.



## Repairing Refrigerant Leaks



### WARNING

- If the refrigerant leaks, turn off the air conditioner and any combustible heating devices, ventilate the room and call your dealer immediately. Refrigerant is both toxic and flammable. DO NOT use the air conditioner until the leak is repaired.
- When the air conditioner is installed in a small room, measures must be taken to prevent the refrigerant concentration from exceeding the safety limit in the event of refrigerant leakage. Concentrated refrigerant causes a severe health and safety threat.

### Refrigerant Leak Detection System

- In the event of a refrigerant leak, the LCD screen will display "EC" or "ELoC" and the LED indicator light will flash.

## Preparation For Periods Of Non-Use

### Maintenance after Extended Non-Use

1. Remove any obstacles blocking the vents of both the indoor and outdoor units.
2. Clean the air filter and the front grille of the indoor unit. Reinstall the clean, dry air filter in its original position.
3. Turn on the main power switch at least 12 hours prior to operating the unit.

### Storing the Unit While Not In Use

1. Run the appliance on FAN mode for 12 hours in a warm room to dry it and prevent mold.
2. Turn off the appliance and unplug it.
3. Clean the air filter according to the instructions in the previous section. Reinstall the clean, dry filter before storing.
4. Remove the batteries from the remote control.



# Troubleshooting

# 5

## CAUTIONS

If one of the following conditions occurs, switch off the power supply immediately and contact your dealer for further assistance.

- The operation light continues to flash rapidly after the unit has been restarted.
- The remote control buttons do not work.
- The unit continually trips fuses or circuit breakers.
- A foreign object or water enters the air conditioner.
- Other abnormal situations.

## Common Problems

The following symptoms are not a malfunction and in most situations will not require repairs.

Problem	Possible Causes
<b>Unit does not turn on when pressing ON/ OFF button</b>	The unit has a 3-minute protection feature that prevents the unit from overloading. The unit cannot be restarted within three minutes of being turned off.
	Cooling and Heating Models: If the Operation light and PRE-DEF (Pre-heating/ Defrost) indicators are lit up, the outdoor temperature is too cold and the unit's anti-cold wind is activated in order to defrost the unit.
	In Cooling-only Models: If the "Fan Only" indicator is lit up, the outdoor temperature is too cold and the unit's anti-freeze protection is activated in order to defrost the unit.
<b>The unit changes from COOL mode to FAN mode</b>	The unit changes its setting to prevent frost from forming on the unit. Once the temperature increases, the unit will start operating again.
	The set temperature has been reached, at which point the unit turns off the compressor. The unit will resume operating when the temperature fluctuates again.
<b>The indoor unit emits white mist</b>	In humid regions, a large temperature difference between the room's air and the conditioned air can cause white mist.
<b>Both the indoor and outdoor units emit white mist</b>	When the unit restarts in HEAT mode after defrosting, white mist may be emitted due to moisture generated from the defrosting process.
<b>The indoor unit makes noises</b>	A squeaking sound is heard when the system is OFF or in COOL mode. The noise is also heard when the drain pump (optional) is in operation.
	A squeaking sound may occur after running the unit in HEAT mode due to expansion and contraction of the unit's plastic parts.
<b>Both the indoor unit and outdoor unit make noises</b>	A low hissing sound may occur during operation. This is normal and is caused by refrigerant gas flowing through both the indoor and outdoor units.
	A low hissing sound may be heard when the system starts, has just stopped running or is defrosting. This noise is normal and is caused by the refrigerant gas stopping or changing direction.
<b>The outdoor unit makes noises</b>	The unit will make different sounds based on its current operating mode.

Problem	Possible Causes
<b>Dust is emitted from either the indoor or outdoor unit</b>	The unit may accumulate dust during extended periods of non-use, which will be emitted when the unit is turned on. This can be mitigated by covering the unit during long periods of inactivity.
<b>The unit emits a bad odor</b>	The unit may absorb odors from the environment (such as furniture, cooking, cigarettes, etc.) which will be emitted during operations.
	The unit's filters have become moldy and should be cleaned.
<b>The fan of the outdoor unit does not operate</b>	During operation, the fan speed is controlled to optimize product operation.

## Troubleshooting Tips

When troubles occur, please check the following points before contacting a repair company.

Problem	Possible Causes	Solution
<b>The unit is not working</b>	Power failure	Wait for the power to be restored
	The power switch is off	Turn on the power
	The fuse is burned out	Replace the fuse
	Remote control batteries are dead	Replace the remote control batteries
	The unit's 3-minute protection has been activated	Wait three minutes after restarting the unit
<b>Poor cooling performance</b>	Temperature setting may be higher than the ambient room temperature	Lower the temperature setting
	The heat exchanger on the indoor or outdoor unit is dirty	Clean the affected heat exchanger
	The air filter is dirty	Remove the filter and clean it according to instructions
	The air inlet or outlet of either unit is blocked	Turn the unit off, remove the obstruction and turn it back on
	Doors and windows are open	Make sure that all doors and windows are closed while operating the unit
	Excessive heat is generated by sunlight	Close windows and curtains during periods of high heat or bright sunshine
	Low refrigerant due to leak or long-term use	Check for leaks, re-seal if necessary and top off refrigerant
<b>The unit starts and stops frequently</b>	There's too much or too little refrigerant in the system	Check for leaks and recharge the system with refrigerant
	There is air, incompressible gas or foreign material in the refrigeration system.	Evacuate and recharge the system with refrigerant
	System circuit is blocked	Determine which circuit is blocked and replace the malfunctioning piece of equipment
	The compressor is broken	Replace the compressor
	The voltage is too high or too low	Install a manostat to regulate the voltage
<b>Poor heating performance</b>	The outdoor temperature is extremely low	Check for leaks and recharge the system with refrigerant
	Cold air is entering through doors and windows	Make sure that all doors and windows are closed during use
	Low refrigerant due to leak or long-term use	Check for leaks, re-seal if necessary and top off refrigerant

Problem	Possible Causes
<b>Indicator lamps continue flashing</b>	<p>The unit may stop operation or continue to run safely. If the indicator lamps continue to flash or error codes appear, wait for about 10 minutes. The problem may resolve itself.</p> <p>If not, disconnect the power, then connect it again. Turn the unit on. If the problem persists, disconnect the power and contact your nearest customer service center.</p>
<p><b>Error code appears and begins with the letters as the following in the window display of indoor unit:</b>  <b>E(x), P(x), F(x)</b>  <b>EH(xx), EL(xx), EC(xx)</b>  <b>PH(xx), PL(xx), PC(xx)</b></p>	

**NOTE:** If your problem persists after performing the checks and diagnostics above, turn off your unit immediately and contact an authorized service center.

## European Disposal Guidelines

# 6

Users in European Countries may be required to properly dispose of this unit. This appliance contains refrigerant and other potentially hazardous materials. When disposing of this appliance, the law requires special collection and treatment. DO NOT dispose of this product as household waste or unsorted municipal waste.

When disposing of this appliance, you have the following options:

- Dispose of the appliance at designated municipal electronic waste collection facility.
- When buying a new appliance, the retailer will take back the old appliance free of charge.
- The manufacturer will also take back the old appliance free of charge.
- Sell the appliance to certified scrap metal dealers.

**NOTE:** Disposing of this appliance in the forest or other natural surroundings endangers your health and is bad for the environment. Hazardous substances may leak into the ground water and enter the food chain.



All the pictures in the manual are for explanatory purposes only. The actual shape of the unit you purchased may be slightly different, but the operations and functions are the same. The company may not be held responsible for any misprinted information. The design and the specifications of the product for reasons, such as product improvement, are subject to change without any prior notice.

Please consult with the manufacturer at +30 211 300 3300 or with the Local Distributor for further details.



Scan here to download the latest version of this manual.  
[www.inventorairconditioner.com/media-library](http://www.inventorairconditioner.com/media-library)

# Activate your Warranty

Follow the next quick steps to activate your warranty:

## STEP 1

Visit our website via the link:

<https://www.inventorairconditioner.com/warranty-inventor>

or by scanning the QR code, as follows:



## STEP 2

Fill in the obligatory fields as requested in the "Owner's details" and "Unit's details":

To activate the warranty card, please fill in the following fields

Owner's details	Unit's details
Full Name	Unit
Address*	Serial Number of the unit*

## STEP 3

Click SEND button at the end of the submission form:

Subscribe to Inventor's Newsletter on the current page

I accept the terms and conditions.

once the warranty submission has been completed a confirmation message will be sent to your email

## STEP 4

Wait for the confirmation email you will receive at the email address you have filled in - please also check your spam folder.

## STEP 5

Inventor warranty is now valid!

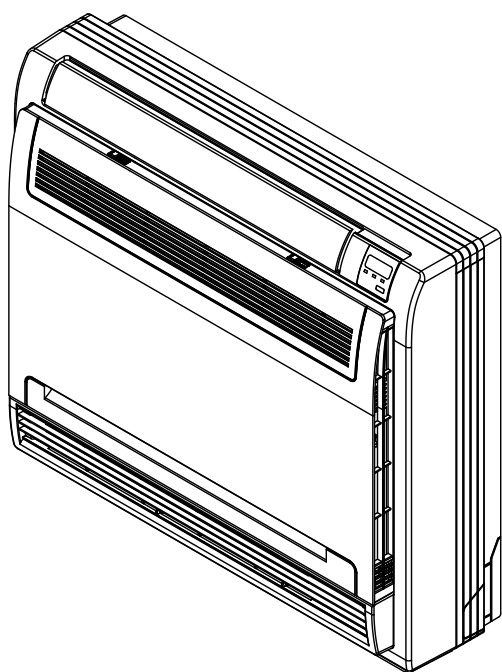
# Πίνακας Περιεχομένων

## Εγχειρίδιο Χρήσης

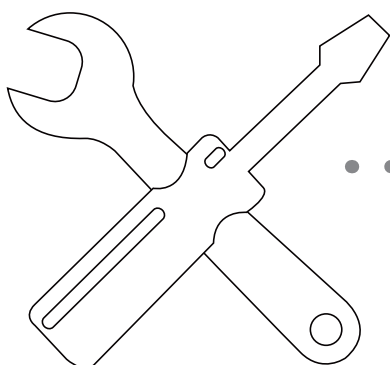
1 Προφυλάξεις Ασφαλείας ..... 04



2 Εξαρτήματα και Λειτουργίες  
της εσωτερικής μονάδας ..... 06

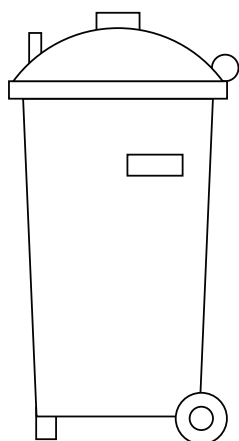
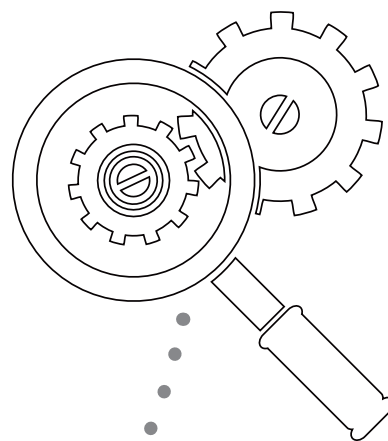


3 Χειροκίνητες Λειτουργίες ..... 08



<b>4</b>	Φροντίδα και Συντήρηση .....	09
	α. Συντήρηση της μονάδας .....	09
	β. Καθαρισμός του φίλτρου αέρα .....	09
	γ. Επισκευή διαρροών ψυκτικού μέσου ...	10
	δ. Προετοιμασία για περιόδους μη χρήσης..	10

<b>5</b>	Επίλυση Προβλημάτων.....	11
	α. Συνήθη προβλήματα .....	11
	β. Συμβουλές για την επίλυση προβλημάτων .....	12



<b>6</b>	Ευρωπαϊκές οδηγίες για την απόρριψη .....	14
----------	---	----



Προσοχή: **Κίνδυνος πυρκαγιάς/  
Εύφλεκτα υλικά**

**ΠΡΟΕΙΔΟΠΟΙΗΣΗ:** Το σέρβις θα πρέπει να εκτελείται μόνο με τον τρόπο που συνιστάται από τον κατασκευαστή. Οι εργασίες συντήρησης και επισκευής για τις οποίες απαιτείται η συνδρομή άλλου ειδικευμένου προσωπικού θα πρέπει να εκτελούνται υπό την επίβλεψη του ατόμου που είναι αρμόδιο για τη χρήση εύφλεκτων ψυκτικών μέσων. Για περισσότερα στοιχεία, ανατρέξτε στις πληροφορίες για το σέρβις στο ΕΓΧΕΙΡΙΔΙΟ ΕΓΚΑΤΑΣΤΑΣΗΣ. (Αυτό απαιτείται μόνο για τις μονάδες στις οποίες χρησιμοποιείται ψυκτικό μέσο R32/R290)

# Προφυλάξεις Ασφαλείας

# 1

Σας ευχαριστούμε που αγοράσατε αυτό το κλιματιστικό. Αυτό το εγχειρίδιο παρέχει πληροφορίες σχετικά με τη λειτουργία, τη συντήρηση και την επίλυση προβλημάτων του κλιματιστικού σας. Η τήρηση των οδηγιών εξασφαλίζει τη σωστή λειτουργία και την παράταση της διάρκειας ζωής της μονάδας.

**Πρέπει να δίνετε προσοχή στα ακόλουθα σύμβολα:**



**ΠΡΟΕΙΔΟΠΟΙΗΣΗ**

**Η μη τήρηση των οδηγιών μπορεί να οδηγήσει σε θάνατο. Η συσκευή πρέπει να εγκαθίσταται σε συμμόρφωση με τους εθνικούς κανονισμούς.**



**ΠΡΟΣΟΧΗ**

**Η μη τήρηση των οδηγιών μπορεί να οδηγήσει σε τραυματισμό ή ζημιά στον εξοπλισμό.**



## ΠΡΟΕΙΔΟΠΟΙΗΣΗ

- Ζητήστε από έναν εξουσιοδοτημένο αντιπρόσωπο να εγκαταστήσει αυτό το κλιματιστικό. Αν η εγκατάσταση δε γίνει σωστά, μπορεί να προκληθεί διαρροή νερού, ηλεκτροπληξία ή πυρκαγιά.
- Η εγγύηση ακυρώνεται, αν η μονάδα δεν εγκατασταθεί από επαγγελματίες.
- Αν προκύψει μη φυσιολογική κατάσταση (όπως οσμή υλικού που καίγεται), διακόψτε την παροχή ρεύματος και επικοινωνήστε με τον αντιπρόσωπο για οδηγίες σχετικά με την αποφυγή ηλεκτροπληξίας, πυρκαγιάς ή τραυματισμού.
- **ΜΗΝ** αφήνετε να βραχεί η εσωτερική μονάδα ή το τηλεχειριστήριο. Μπορεί να προκληθεί ηλεκτροπληξία ή πυρκαγιά.
- **ΜΗ** βάζετε τα δάχτυλά σας, ραβδιά ή άλλα αντικείμενα στα ανοίγματα εισαγωγής ή εξαγωγής αέρα. Μπορεί να προκληθεί τραυματισμός, καθώς ο ανεμιστήρας μπορεί να περιστρέφεται με υψηλή ταχύτητα.
- **ΜΗ** χρησιμοποιείτε εύφλεκτα σπρέι όπως λακ, λούστρο ή βαφή κοντά στη μονάδα. Μπορεί να προκληθεί πυρκαγιά ή καύση των υλικών.
- **Μη** χρησιμοποιείτε μέσα επιτάχυνσης της διαδικασίας ξεπαγώματος ή μέσα καθαρισμού διαφορετικά από εκείνα που συνιστώνται από τον κατασκευαστή.
- Η συσκευή θα πρέπει να αποθηκεύεται σε χώρο όπου δεν υπάρχουν ενεργές πηγές ανάφλεξης (για παράδειγμα: ακάλυπτες φλόγες, ενεργές συσκευές αερίου ή ηλεκτρικοί θερμαντήρες).
- Η συσκευή θα πρέπει να αποθηκεύεται με τρόπο που δεν επιτρέπει την πρόκληση μηχανικής βλάβης.

- Πρέπει να γνωρίζετε ότι τα ψυκτικά μέσα δεν αναδίδουν οσμή.
- Πρέπει να συμμορφώνεστε με τους εθνικούς κανονισμούς για τα αέρια.
- **Μη** φράσετε τα ανοίγματα εξαερισμού.  
**ΣΗΜΕΙΩΣΗ:** Οι ακόλουθες πληροφορίες απαιτούνται για τις μονάδες στις οποίες χρησιμοποιείται ψυκτικό μέσο R32/R290.
- **ΜΗΝ** τρυπάτε και μην καίτε τη μονάδα.
- Η συσκευή πρέπει να αποθηκεύεται σε καλά εξαεριζόμενο χώρο με μέγεθος που αντιστοιχεί στο προβλεπόμενο εμβαδόν για τη λειτουργία της.
- Κάθε άτομο που εκτελεί εργασίες ή παρεμβαίνει σε κυκλώματα ψυκτικών μέσων θα πρέπει να είναι κάτοχος έγκυρου πιστοποιητικού από διαπιστευμένη αρχή αξιολόγησης, το οποίο θα εγκρίνει την επάρκεια του συγκεκριμένου ατόμου για τον ασφαλή χειρισμό ψυκτικών μέσων. Το πιστοποιητικό θα πρέπει να έχει εκδοθεί σε συμμόρφωση με κάποια προδιαγραφή αξιολόγησης που είναι αναγνωρισμένη στον κλάδο.
- Το σέρβις θα πρέπει να εκτελείται μόνο με τον τρόπο που συνιστάται από τον κατασκευαστή του εξοπλισμού. Οι εργασίες συντήρησης και επισκευής για τις οποίες απαιτείται η συνδρομή άλλου ειδικευμένου προσωπικού θα πρέπει να εκτελούνται υπό την επίβλεψη του ατόμου που είναι αρμόδιο για τη χρήση εύφλεκτων ψυκτικών μέσων.
- Αν το καλώδιο παροχής ρεύματος υποστεί ζημιά, πρέπει να αντικατασταθεί από τον κατασκευαστή, τον αντιπρόσωπο σέρβις του κατασκευαστή ή από άλλο άτομο με παρόμοιες πιστοποιήσεις, ώστε να αποφεύγεται ο κίνδυνος.





## ΠΡΟΣΟΧΗ

- **MHN** αγγίζετε το άνοιγμα εξαγωγής αέρα ενώ περιστρέφεται ο ανεμιστήρας. Μπορεί να παγιδευτούν τα δάχτυλά σας ή να υποστεί ζημιά ή μονάδα.
- **MHN** εκτελείτε οι ίδιοι επιθεώρηση της μονάδας. Ζητήστε από έναν εξουσιοδοτημένο αντιπρόσωπο να εκτελέσει την επιθεώρηση.
- Για να αποφύγετε τη μείωση της απόδοσης του προϊόντος, μη χρησιμοποιείτε το κλιματιστικό για σκοπούς συντήρησης (αποθήκευση τροφίμων, φυτών, ζώων, έργων τέχνης κ.λπ.).
- **MHN** αγγίζετε τις σερπαντίνες του εξατμιστή μέσα στην εσωτερική μονάδα. Οι σερπαντίνες του εξατμιστή είναι αιχμηρές και μπορεί να προκαλέσουν τραυματισμούς.
- **MH** χειρίζεστε το κλιματιστικό με βρεγμένα χέρια. Μπορεί να προκληθεί ηλεκτροπληξία.
- **MHN** τοποθετείτε κάτω από την εσωτερική μονάδα αντικείμενα που μπορεί να υποστούν ζημιά από την υγρασία. Υγρασιοποίηση υδρατμών μπορεί να προκύψει με σχετική υγρασία 80%.
- **MHN** εκθέτετε στον κρύο αέρα συσκευές που παράγουν θερμότητα και μην τις τοποθετείτε κάτω από την εσωτερική μονάδα. Μπορεί να προκληθεί ατελής καύση ή παραμόρφωση της μονάδας λόγω της θερμότητας.
- Μετά από μεγάλες περιόδους χρήσης πρέπει να ελέγχετε την εσωτερική μονάδα για να δείτε μήπως έχει πάθει κάτι ζημιά. Αν η εσωτερική μονάδα υποστεί ζημιά, μπορεί να πέσει και να προκαλέσει τραυματισμό.
- Αν το κλιματιστικό χρησιμοποιείται μαζί με άλλες συσκευές θέρμανσης, πρέπει να εξαερίζεται καλά ο χώρος για να μην προκύψει έλλειψη οξυγόνου.
- **MHN** ανεβαίνετε στην εξωτερική μονάδα και μην τοποθετείτε αντικείμενα πάνω της.
- **MH** θέτετε σε λειτουργία το κλιματιστικό όταν χρησιμοποιείτε εντομοκτόνα που παράγουν καπνό. Η μονάδα μπορεί να σχηματίσει στρώμα χημικών ουσιών και να θέσει σε κίνδυνο άτομα που είναι υπερευαίσθητα σε αυτές τις χημικές ουσίες.
- **MHN** αφήνετε τα παιδιά να παίζουν με το κλιματιστικό.
- **MH** χρησιμοποιείτε το κλιματιστικό σε χώρους με υγρασία (π.χ. σε λουτρό ή πλυσταριά). Μπορεί να προκληθεί ηλεκτροπληξία και μείωση της απόδοσης του προϊόντος.

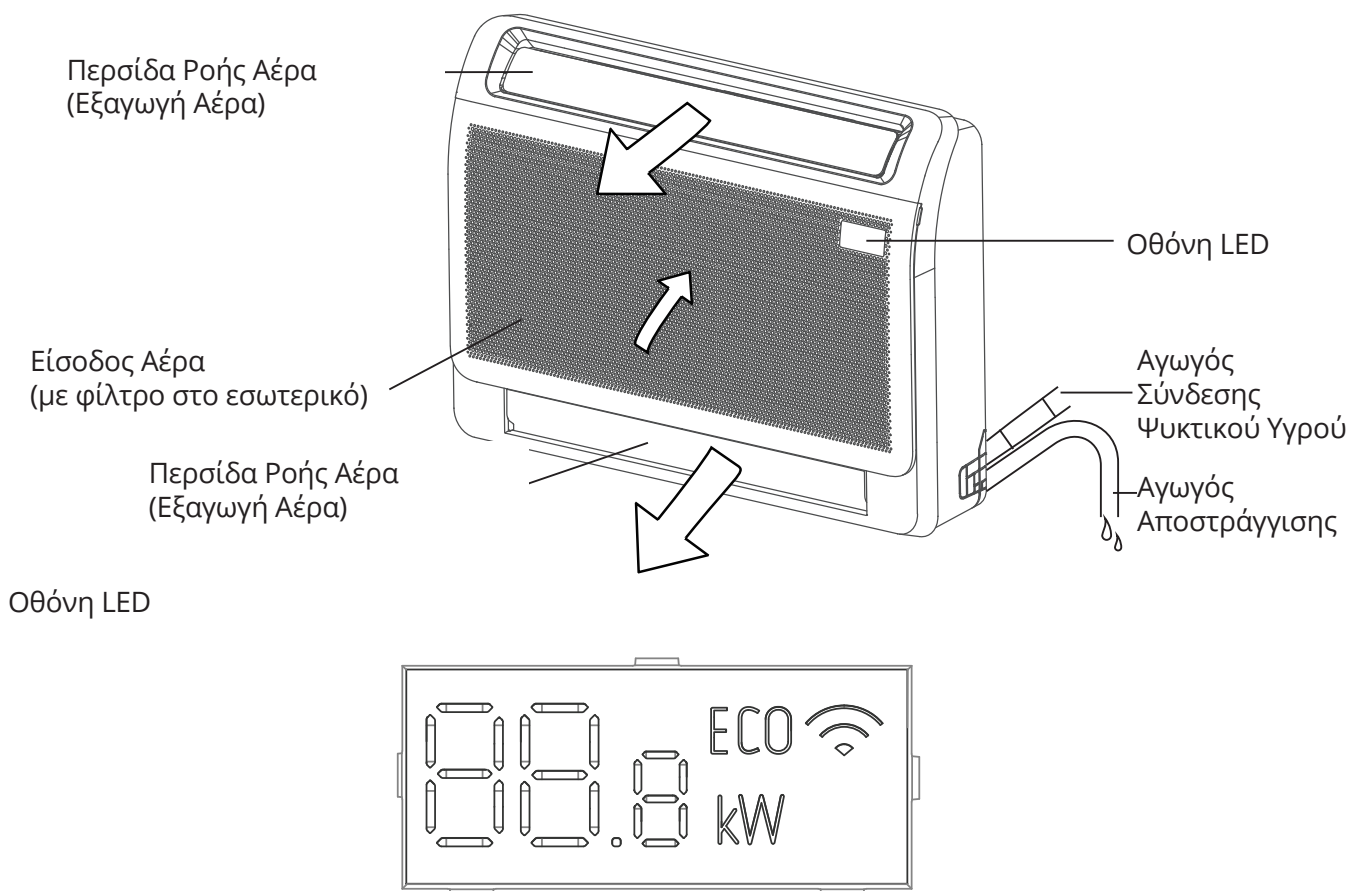
- Αυτή η συσκευή μπορεί να χρησιμοποιηθεί από παιδιά ηλικίας 8 ετών και άνω και από άτομα με περιορισμένες σωματικές, αισθητήριες ή διανοητικές ικανότητες ή με ελλιπή εμπειρία και γνώσεις, αν η χρήση γίνεται υπό επίβλεψη ή αν τα άτομα αυτά έχουν λάβει οδηγίες σχετικά με την ασφαλή χρήση της συσκευής και κατανοούν τους κινδύνους που ενέχονται. Τα παιδιά δεν επιτρέπεται να παίζουν με τη συσκευή. Ο καθαρισμός και η συντήρηση δεν θα πρέπει να εκτελούνται από παιδιά χωρίς επίβλεψη.
- Η συσκευή πρέπει να εγκατασταθεί σύμφωνα με τους εθνικούς κανονισμούς για τις ηλεκτρολογικές εγκαταστάσεις.
- Η εσωτερική μονάδα πρέπει να εγκατασταθεί σε ύψος 2,5 m πάνω από το δάπεδο.
- Στη σταθερή καλωδίωση θα πρέπει να ενσωματωθεί μια πολυπολική διάταξη αποσύνδεσης με διάκενο τουλάχιστον 3 mm σε όλους τους πόλους και μια διάταξη προστασίας από ρεύματα διαρροής (RCD) με ονομαστική ένταση ρεύματος πάνω από 10 mA σύμφωνα με τους εθνικούς κανονισμούς.

## Εξαρτήματα και Λειτουργίες της εσωτερικής μονάδας

# 2

### Οθόνη εσωτερικής μονάδας

**ΣΗΜΕΙΩΣΗ:** Η οθόνη στην εσωτερική μονάδα μπορεί να χρησιμοποιηθεί σε περίπτωση που το τηλεχειριστήριο έχει χαθεί ή δεν λειτουργούν οι μπαταρίες του.



• **22.8** Οθόνη LED

**"dF"** όταν πραγματοποιείται αποπάγωση (για μοντέλα ψύξης και θέρμανσης)

**"00"** για 3 δευτερόλεπτα όταν:

- η επιλογή **TIMER ON** έχει επιλεγθεί
- οι επιλογές **SWING** ή **SILENCE** έχουν ενεργοποιηθεί

**"0F"** για 3 δευτερόλεπτα όταν:

- η επιλογή **TIMER OFF** έχει επιλεγθεί
- οι επιλογές **SWING** ή **SILENCE** έχουν απενεργοποιηθεί

**"CL"** στη λειτουργία αυτοκαθαρισμού

**"FP"** όταν η λειτουργία θέρμανση 8°C έχει ενεργοποιηθεί

• **ECO** όταν η λειτουργία **ECO** έχει ενεργοποιηθεί (ορισμένα μοντέλα)

•  όταν η λειτουργία ασύρματου ελέγχου έχει ενεργοποιηθεί (ορισμένα μοντέλα)

## Συνθήκες Λειτουργίας

Για ασφαλή και αποτελεσματική λειτουργία, πρέπει να χρησιμοποιείτε το σύστημα υπό τις ακόλουθες θερμοκρασίες. Αν το κλιματιστικό χρησιμοποιηθεί υπό διαφορετικές συνθήκες, μπορεί να προκύψει δυσλειτουργία ή να μειωθεί η απόδοσή του.

	Λειτουργία COOL (Ψύξη)	Λειτουργία HEAT (Θέρμανση)	Λειτουργία DRY (Αφύγρανση)
<b>Εσωτερική θερμοκρασία</b>	16-32°C (62-90°F)	0-30°C (32-86°F)	10-32°C (50-90°F)
<b>Εξωτερική θερμοκρασία</b>	0-50°C (32-122°F)	-15-24°C (5-75°F)	0-50°C (32-122°F)
	-15-50°C (5-122°F) (low temperature cooling models)		

## Χαρακτηριστικά

### Προεπιλεγμένη ρύθμιση

Όταν το κλιματιστικό επανεκκινείται μετά από διακοπή ρεύματος, εφαρμόζονται οι προεπιλεγμένες εργοστασιακές ρυθμίσεις [αυτόματη λειτουργία (AUTO), αυτόματη λειτουργία (AUTO) ανεμιστήρα, 24 °C (76 °F)]. Αυτό μπορεί να προκαλέσει ασυμφωνία ενδείξεων στο τηλεχειριστήριο και στον πίνακα της μονάδας. Χρησιμοποιήστε το τηλεχειριστήριο για να ενημερώσετε την κατάσταση.

### Αυτόματη επανεκκίνηση

Σε περίπτωση διακοπής ρεύματος, η λειτουργία του συστήματος διακόπτεται αμέσως. Όταν το ρεύμα επανέλθει, η ενδεικτική λυχνία λειτουργίας στην εσωτερική μονάδα αρχίζει να αναβοσβήνει. Για να επανεκκινήσετε τη μονάδα, πατήστε το κουμπί ON/OFF στο τηλεχειριστήριο. Αν το σύστημα διαθέτει λειτουργία αυτόματης επανεκκίνησης, η μονάδα θα επανεκκινηθεί χρησιμοποιώντας τις ίδιες ρυθμίσεις.

### Λειτουργία απομνημόνευσης γωνίας περσίδων (προαιρετικά)

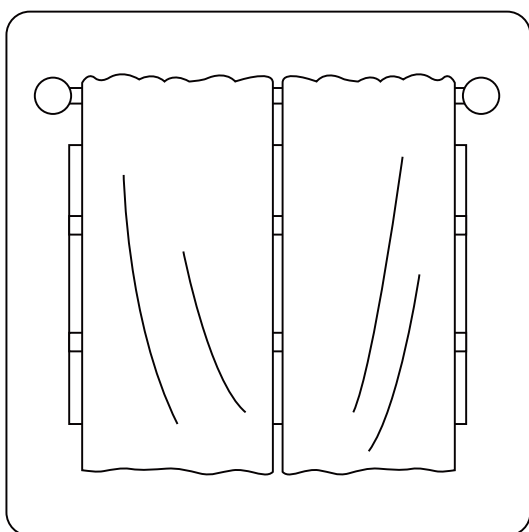
Ορισμένα μοντέλα είναι σχεδιασμένα με λειτουργία απομνημόνευσης της γωνίας των περσίδων. Όταν η μονάδα επανεκκινείται μετά από διακοπή ρεύματος, η γωνία των οριζόντιων περσίδων επανέρχεται αυτόματα στην προηγούμενη τιμή της. Η γωνία των οριζόντιων περσίδων δεν πρέπει να ρυθμίζεται σε υπερβολικά μικρή τιμή, γιατί μπορεί να προκύψει υγραποίηση υδρατμών, οι οποίοι θα αρχίσουν να στάζουν μέσα στο μηχάνημα. Για να επαναφέρετε τις περσίδες στην αρχική γωνία, πατήστε το κουμπί χειροκίνητα ελεγχόμενης λειτουργίας. Με αυτόν τον τρόπο, οι ρυθμίσεις των περσίδων επανέρχονται στις αρχικές τους τιμές.

### Σύστημα εντοπισμού διαρροής ψυκτικού μέσου

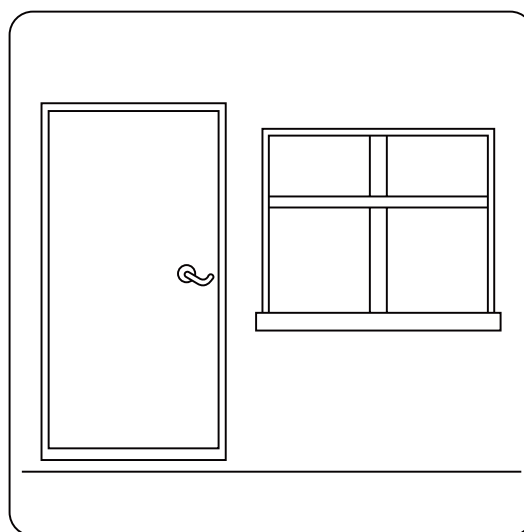
Σε περίπτωση διαρροής ψυκτικού μέσου, εμφανίζεται στην οθόνη LCD η ένδειξη «EC» ή «ELoC» και η ενδεικτική λυχνία LED αρχίζει να αναβοσβήνει.

## Συμβουλές για εξοικονόμηση ενέργειας

- **ΜΗΝ** ρυθμίζετε τη μονάδα σε υπερβολικές θερμοκρασίες.
- Κατά τη λειτουργία ψύξης πρέπει να κλείνετε τις κουρτίνες για να αποφεύγετε το άμεσο ηλιακό φως.
- Οι πόρτες και τα παράθυρα πρέπει να διατηρούνται κλειστά για να παραμένει μέσα στον χώρο ο ψυχρός ή θερμός αέρας.
- **ΜΗΝ** τοποθετείτε αντικείμενα κοντά στα ανοίγματα εισαγωγής και εξαγωγής αέρα της μονάδας. Αυτό μειώνει την απόδοση της μονάδας.
- Ρυθμίστε έναν χρονοδιακόπτη και χρησιμοποιήστε την λειτουργία SLEEP/ECONOMY αν αυτό είναι εφικτό.
- Αν δε σκοπεύετε να χρησιμοποιήσετε τη μονάδα για μεγάλο χρονικό διάστημα, αφαιρέστε τις μπαταρίες από το τηλεχειριστήριο.
- Πρέπει να καθαρίζετε το φίλτρο αέρα κάθε δύο εβδομάδες. Αν το φίλτρο βρομίσει, μειώνεται η απόδοση ψύξης ή θέρμανσης.
- Ρυθμίστε κατάλληλα τις περσίδες και αποφεύγετε την απευθείας έκθεση στο ρεύμα αέρα



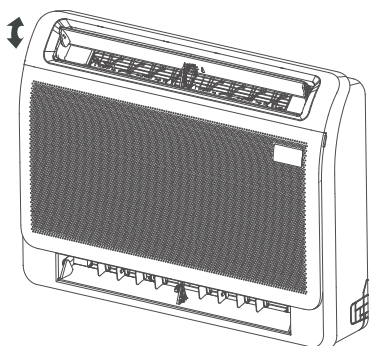
Το κλείσιμο των κουρτινών κατά τη θέρμανση μειώνει τις απώλειες θερμότητας



Οι πόρτες και τα παράθυρα πρέπει να διατηρούνται κλειστά

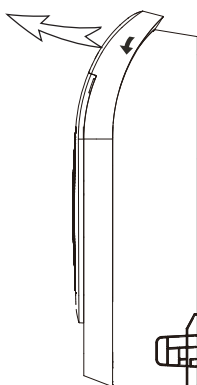
## Προσαρμόζοντας την κατεύθυνση ροής του αέρα

- **Χειροκίνητη κίνηση περσίδας:** Πιέστε το πλήκτρο Air Direction και για να προσαρμόσετε τη θέση της περσίδας στην επιθυμητή γωνία. Η περσίδα μπορεί να κινηθεί (κατακόρυφα ή οριζόντια) σε διαφορετικές γωνίες με κάθε πάτημα του πλήκτρου. Η κατεύθυνση του αέρα μπορεί να αλλαχθεί, προσαρμόζοντας χειροκίνητα τη περσίδα.



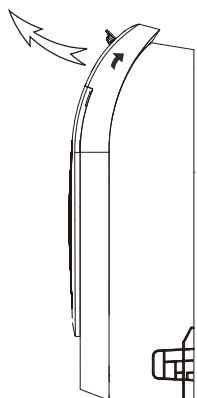
- **Κατά τη ψύξη:**

Προσαρμόστε τη περσίδα προς τα κάτω (οριζόντια).



- **Κατά τη θέρμανση:**

Προσαρμόστε τη περσίδα κάθετα.

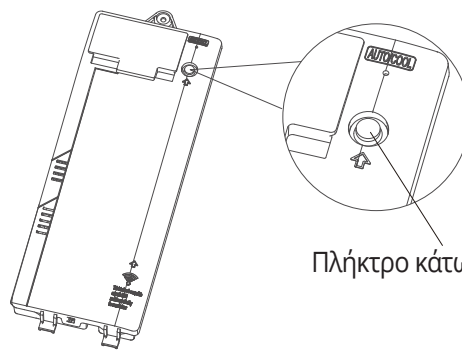


### ! ΠΡΟΣΟΧΗ:

ΜΗΝ προσπαθείτε να προσαρμόσετε την οριζόντια περσίδα χειροκίνητα. Αυτό μπορεί να προκαλέσει καταστροφή στον μηχανισμό και να έχει ως αποτέλεσμα την δημιουργία συμπυκνωμάτων στην εξαγωγή του αέρα.

- **Διακόπτης ρύθμισης της κάτω περσίδας ροής αέρα:**

Για μια ιδανική θερμοκρασία περιβάλλοντος, η κάτω περσίδα αέρα μπορεί να ανοίξει όταν η μονάδα είναι ενεργοποιημένη. Για να επιλέξετε αν η κάτω περσίδα αέρα είναι ενεργοποιημένη ή απενεργοποιημένη, χρησιμοποιήστε το κουμπί στο ηλεκτρικό κουτί ελέγχου. Εντός 10 λεπτών από την ενεργοποίηση, πατήστε το για 5 δευτερόλεπτα για να εισέλθετε στη λειτουργία ρύθμισης της κάτω περσίδας αλλά σε κατάσταση αναμονής. Πατήστε το κουμπί για να ανοίξετε ή να κλείσετε την κάτω περσίδα αέρα.



Πλήκτρο κάτω περσίδας

Ηλεκτρικό κουτί ελέγχου

**ΣΗΜΕΙΩΣΗ:** Κατά τη διάρκεια της διαδικασίας ρύθμισης, στην οθόνη LED θα εμφανιστεί ένδειξη για τη κατάσταση της κάτω περσίδας αέρα.

on - ανοιχτή

off - κλειστή

# Φροντίδα και Συντήρηση

# 4

## Προφυλάξεις Ασφαλείας

- Επικοινωνήστε με έναν εξουσιοδοτημένο τεχνικό του σέρβις για την επισκευή ή τη συντήρηση. Αν η επισκευή και η συντήρηση δε γίνουν σωστά, μπορεί να προκληθεί διαρροή νερού, ηλεκτροπληξία ή πυρκαγιά.
- ΜΗΝ αντικαθιστάτε μια καμένη ασφάλεια με άλλη ασφάλεια μεγαλύτερης ή μικρότερης ονομαστικής έντασης ρεύματος, γιατί μπορεί να προκληθεί ζημιά στο κύκλωμα ή πυρκαγιά.
- Βεβαιωθείτε ότι ο σωλήνας αποστράγγισης έχει τοποθετηθεί σύμφωνα με τις οδηγίες. Σε αντίθετη περίπτωση, μπορεί να προκύψει διαρροή και να προκληθούν υλικές ζημιές, πυρκαγιά και ηλεκτροπληξία.
- Βεβαιωθείτε ότι όλα τα καλώδια είναι σωστά συνδεδεμένα. Αν τα καλώδια δε συνδεθούν σύμφωνα με τις οδηγίες, μπορεί να προκληθεί ηλεκτροπληξία ή πυρκαγιά.

## Συντήρηση της μονάδας



### ΠΡΙΝ ΑΠΟ ΤΟΝ ΚΑΘΑΡΙΣΜΟ Ή ΤΗ ΣΥΝΤΗΡΗΣΗ

- Πριν από τον καθαρισμό ή τη συντήρηση πρέπει πάντα να απενεργοποιείτε το κλιματιστικό και να αποσυνδέετε την παροχή ρεύματος.
- **ΜΗΝ** χρησιμοποιείτε χημικές ουσίες ή πανιά που έχουν υποστεί χημική κατεργασία για να καθαρίσετε τη μονάδα.
- **ΜΗΝ** χρησιμοποιείτε βενζίνη, διαλυτικά βαφής, πούδρες στίλβωσης ή άλλα διαλυτικά μέσα για να καθαρίσετε τη μονάδα. Αυτά μπορεί να προκαλέσουν ρωγμές ή παραμορφώσεις στην πλαστική επιφάνεια.
- **ΜΗΝ** πλύνετε τη μονάδα με τρεχούμενο νερό. Δημιουργείται κίνδυνος ηλεκτροπληξίας.
- **ΜΗΝ** χρησιμοποιείτε νερό με θερμοκρασία μεγαλύτερη από 40°C (104°F) για να καθαρίσετε το μπροστινό πλαίσιο. Μπορεί να προκληθεί παραμόρφωση ή αποχρωματισμός.
- Πρέπει να καθαρίζετε τη μονάδα με βρεγμένο πανί που δεν αφήνει χνούδι και ουδέτερο απορρυπαντικό. Πρέπει να σκουπίζετε τη μονάδα με στεγνό πανί.

## Καθαρισμός του φίλτρου αέρα

Το φίλτρο εμποδίζει τη σκόνη και άλλα σωματίδια να εισχωρήσουν στην εσωτερική μονάδα. Η συσσώρευση σκόνης μειώνει την απόδοση του κλιματιστικού. Για βέλτιστη απόδοση, πρέπει να καθαρίζετε το φίλτρο αέρα κάθε δύο εβδομάδες ή συχνότερα, αν μένετε σε περιοχή όπου υπάρχει πολλή σκόνη. Αν το φίλτρο έχει φράξει και δεν μπορεί να καθαριστεί, αντικαταστήστε το με καινούργιο.

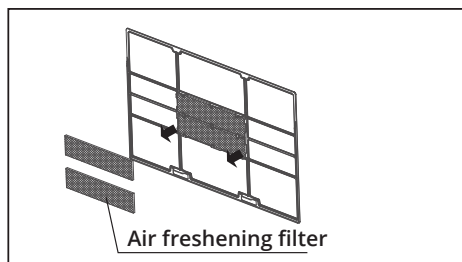
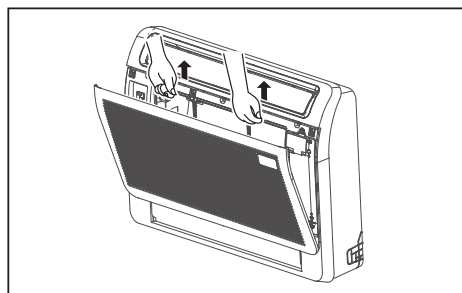
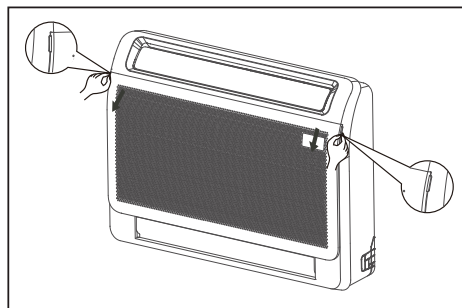


### ΠΡΟΕΙΔΟΠΟΙΗΣΗ: ΜΗΝ ΑΦΑΙΡΕΙΤΕ ΚΑΙ ΜΗΝ ΚΑΘΑΡΙΖΕΤΕ ΤΟ ΦΙΛΤΡΟ ΜΟΝΟΙ ΣΑΣ

Η αφαίρεση και ο καθαρισμός του φίλτρου ενέχουν κινδύνους. Η αφαίρεση και η συντήρηση πρέπει να εκτελούνται από πιστοποιημένο τεχνικό.

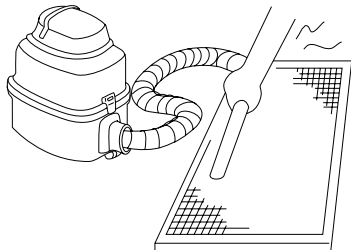
**ΣΗΜΕΙΩΣΗ:** Σε νοικοκυριά όπου υπάρχουν ζώα, πρέπει περιοδικά να καθαρίζετε το πλέγμα από τις τρίχες των ζώων που εμποδίζουν τη ροή του αέρα.

1. Τραβήξτε την αριστερή και τη δεξιά λαβή του μπροστινού πάνελ, ανασηκώστε το πάνελ προς τα έξω ώστε να μπορεί να αφαιρεθεί.
2. Αφαιρέστε το φίλτρο αέρα. Πιέστε προς τα κάτω τα γαντζάκια στο δεξί και αριστερό μέρος του φίλτρου και τραβήξτε προς τα πάνω.
3. Κρατήστε τις γλωττίδες του πλαισίου και αφαιρέστε τα 4 γαντζάκια. (Το ειδικό φίλτρο μπορεί να καθαριστεί με νερό μια φορά το εξάμηνο. Συστήνεται η αντικατάσταση του κάθε 3 χρόνια).



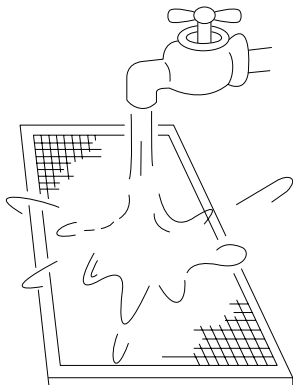


4. Αφαιρέστε το φίλτρο αέρα.
5. Καθαρίστε το φίλτρο αέρα σαρώνοντας την επιφάνειά του με ηλεκτρική σκούπα ή πλύντετέ το με χλιαρό νερό και ήπιο απορρυπαντικό.
- A. Αν χρησιμοποιήσετε ηλεκτρική σκούπα, θα πρέπει να είναι στραμμένη η πλευρά εισαγωγής προς την ηλεκτρική σκούπα.



Εικ. 4.4

- B. Αν χρησιμοποιείτε νερό, η πλευρά εισαγωγής θα πρέπει να είναι στραμμένη προς τα κάτω και σε κατεύθυνση αντίθετη από τη ροή του νερού.



Εικ. 4.5

6. Ξεπλύνετε το φίλτρο με καθαρό νερό και αφήστε το να στεγνώσει στον αέρα. ΜΗΝ αφήνετε το φίλτρο να στεγνώσει σε άμεσο ηλιακό φως.
7. Επανατοποθετήστε το φίλτρο.



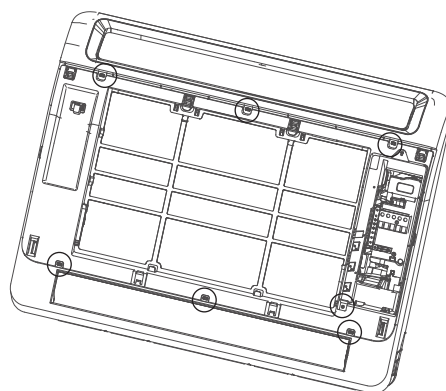
## ΠΡΟΣΟΧΗ

- Πριν από την αλλαγή του φίλτρου ή τον καθαρισμό του, απενεργοποιήστε τη μονάδα και αποσυνδέστε την παροχή ρεύματος.
- Κατά την αφαίρεση του φίλτρου, μην αγγίζετε τα μεταλλικά μέρη της μονάδας. Οι αιχμηρές μεταλλικές άκρες μπορεί να σας τραυματίσουν.
- Μην χρησιμοποιείτε νερό για να καθαρίσετε το εσωτερικό της μονάδας. Αυτό μπορεί να καταστρέψει τη μόνωση και να προκαλέσει ηλεκτροπληξία.
- Μην αφήνετε το φίλτρο να στεγνώσει με απευθείας έκθεση στην ηλιακή ακτινοβολία. Αυτό μπορεί να συρρικνώσει το φίλτρο.

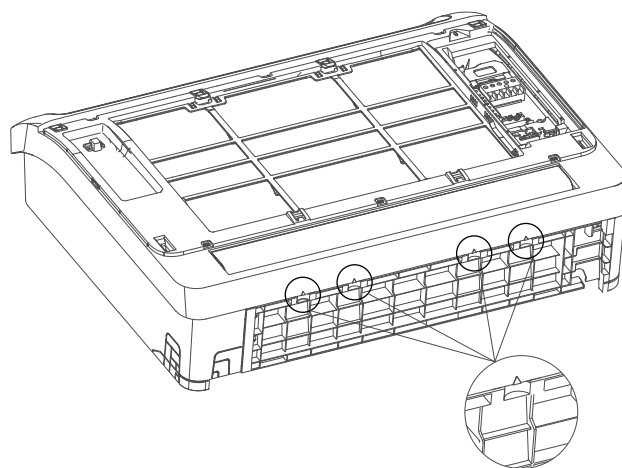
- Οποιαδήποτε συντήρηση και καθαρισμός της εξωτερικής μονάδας θα πρέπει να εκτελείται από εξουσιοδοτημένο αντιπρόσωπο ή εξουσιοδοτημένο τεχνικό service.
- Οποιαδήποτε επισκευή της μονάδας θα πρέπει να εκτελείται από εξουσιοδοτημένο αντιπρόσωπο ή εξουσιοδοτημένο τεχνικό service.

## Αντικατάσταση των εσωτερικών εξαρτημάτων

1. Τραβήξτε την αριστερή και τη δεξιά λαβή του μπροστινού πάνελ, ανασηκώστε το πάνελ προς τα έξω ώστε να μπορεί να αφαιρεθεί
2. Αφαιρέστε τις 7 βίδες από το μπροστινό πλαίσιο.



3. Κουμπώστε τα γατζάκια που υποδεικνύονται με ένα βέλος και αφαιρέστε το πλαίσιο



4. Αντικαταστήστε τα εσωτερικά εξαρτήματα.
5. Τοποθετείστε και πάλι το πλαίσιο και τα μέρη του πάνελ

## Επισκευή διαρροών ψυκτικού μέσου



### ΠΡΟΕΙΔΟΠΟΙΗΣΗ

- Αν υπάρχει διαρροή ψυκτικού μέσου, απενεργοποιήστε το κλιματιστικό και οποιεσδήποτε άλλες συσκευές θέρμανσης που λειτουργούν με ανάφλεξη, εξαερίστε το δωμάτιο και επικοινωνήστε αμέσως με τον αντιπρόσωπο. Το ψυκτικό μέσο είναι τοξικό και εύφλεκτο. ΜΗΝ χρησιμοποιήσετε το κλιματιστικό μέχρι να επισκευαστεί η διαρροή.
- Αν το κλιματιστικό εγκατασταθεί σε μικρό χώρο, πρέπει να ληφθούν μέτρα ώστε, σε περίπτωση διαρροής, η συγκέντρωση του ψυκτικού μέσου να μην υπερβαίνει το όριο ασφαλείας. Η υψηλή συγκέντρωση ψυκτικού μέσου δημιουργεί σοβαρό κίνδυνο για την υγεία και την ασφάλεια.

### Σύστημα εντοπισμού διαρροής ψυκτικού μέσου

Σε περίπτωση διαρροής ψυκτικού μέσου, στην οθόνη LCD εμφανίζεται η ένδειξη "EC" ή "ELoC" και η ενδεικτική λυχνία LED αρχίζει να αναβοσβήνει.

### Προετοιμασία για περιόδους μη χρήσης

#### Συντήρηση μετά από παρατεταμένες περιόδους μη χρήσης

1. Αφαιρέστε οποιαδήποτε εμπόδια φράζουν τους αεραγωγούς της εσωτερικής και της εξωτερικής μονάδας.
2. Καθαρίστε το φίλτρο αέρα και το μπροστινό πλέγμα της εσωτερικής μονάδας. Τοποθετήστε ξανά το καθαρό, στεγνό φίλτρο αέρα στην αρχική του θέση.
3. Ενεργοποιήστε τον κεντρικό διακόπτη παροχής ρεύματος τουλάχιστον 12 ώρες πριν από τη λειτουργία της μονάδας.

#### Αποθήκευση της μονάδας όταν δε χρησιμοποιείται

1. Αφήστε τη μονάδα να λειτουργήσει με τη ρύθμιση FAN (Ανεμιστήρας) για 12 ώρες σε ζεστό χώρο για να στεγνώσει και να εμποδιστεί ο σχηματισμός μούχλας.
2. Απενεργοποιήστε τη συσκευή και αποσυνδέστε την από την πρίζα.
3. Καθαρίστε το φίλτρο αέρα σύμφωνα με τις οδηγίες που παρέχονται στην προηγούμενη ενότητα. Επανατοποθετήστε το καθαρό, στεγνό φίλτρο προτού αποθηκεύσετε τη μονάδα.
4. Αφαιρέστε τις μπαταρίες από το τηλεχειριστήριο



## ! ΠΡΟΣΟΧΗ

Αν προκύψει κάποιο από τα παρακάτω, αποσυνδέστε αμέσως από την παροχή ρεύματος και επικοινωνήστε με τον αντιπρόσωπο για περαιτέρω βοήθεια.

- Η ενδεικτική λυχνία λειτουργίας συνεχίζει να αναβοσβήνει γρήγορα μετά από την επανεκκίνηση της μονάδας.
- Τα πλήκτρα του τηλεχειριστηρίου δε λειτουργούν.
- Η μονάδα καίει συνεχώς τις ασφάλειες και ρίχνει τους ασφαλειοδιακόπτες.
- Έχει εισχωρήσει κάποιο ξένο σώμα ή νερό στο κλιματιστικό.
- Άλλες μη φυσιολογικές καταστάσεις.

## Συνήθη προβλήματα

Τα ακόλουθα συμπτώματα δεν υποδεικνύουν δυσλειτουργία και, στις περισσότερες περιπτώσεις, δεν απαιτούνται επισκευές.

Πρόβλημα	Πιθανές αιτίες
<b>Η μονάδα δεν ενεργοποιείται με το πάτημα του πλήκτρου ON/OFF</b>	Η μονάδα διαθέτει λειτουργία προστασίας 3 λεπτών, η οποία εμποδίζει την υπερφόρτωση της μονάδας. Η μονάδα δεν μπορεί να επανεκκινηθεί μέσα σε διάστημα τριών λεπτών από τη στιγμή που θα απενεργοποιηθεί.
	Μοντέλα με λειτουργία ψύξης και θέρμανσης: Αν οι ενδεικτικές λυχνίες λειτουργίας και PRE-DEF (Προθέρμανση/ Απόψυξη) είναι αναμμένες, η εξωτερική θερμοκρασία είναι πολύ χαμηλή και έχει ενεργοποιηθεί η ροή αέρα κατά του ψύχους για την απόψυξη της μονάδας.
	Στα μοντέλα που διαθέτουν μόνο λειτουργία ψύξης: Αν είναι αναμμένη η ενδεικτική λυχνία "Fan Only" (Μόνο ανεμιστήρας), η εξωτερική θερμοκρασία είναι πολύ χαμηλή και έχει ενεργοποιηθεί η λειτουργία προστασίας από τον παγετό για την απόψυξη της μονάδας.
<b>Η μονάδα μεταβαίνει από τη λειτουργία COOL (Ψύξη) στη λειτουργία FAN (Ανεμιστήρας)</b>	Η μονάδα αλλάζει τη ρύθμισή της για να εμποδίσει τον σχηματισμό πάγου. Μόλις αυξηθεί η θερμοκρασία, η μονάδα αρχίζει να λειτουργεί ξανά.
	Έχει επιτευχθεί η καθορισμένη θερμοκρασία, οπότε η μονάδα απενεργοποιεί τον συμπιεστή. Η μονάδα λειτουργεί όταν η θερμοκρασία αρχίσει ξανά να αυξομειώνεται.
<b>Η εσωτερική μονάδα βγάζει λευκή ομίχλη</b>	Στις περιοχές με υψηλή υγρασία, μια μεγάλη διαφορά θερμοκρασίας μεταξύ του αέρα του χώρου και του αέρα που εξέρχεται από το κλιματιστικό μπορεί να προκαλέσει τον σχηματισμό λευκής ομίχλης.
<b>Η εσωτερική και η εξωτερική μονάδα βγάζουν λευκή ομίχλη</b>	Όταν η μονάδα επανεκκινείται στη λειτουργία HEAT (Θέρμανση) μετά από διαδικασία απόψυξης, μπορεί να αρχίσει να εξάγει λευκή ομίχλη εξαιτίας της υγρασίας που δημιουργείται από τη διαδικασία απόψυξης.
<b>Η εσωτερική μονάδα παράγει θορύβους</b>	Ακούγεται ένα τρίξιμο όταν το σύστημα είναι στη λειτουργία OFF (Απενεργοποίηση) ή COOL (Ψύξη). Ο θόρυβος ακούγεται επίσης όταν λειτουργεί η αντλία αποστράγγισης (προαιρετική).
	Ο θόρυβος τριξίματος μπορεί να προκύψει από τη λειτουργία HEAT (Θέρμανση) λόγω διαστολής και συστολής των πλαστικών εξαρτημάτων της μονάδας.
<b>Η εσωτερική και η εξωτερική μονάδα παράγουν θορύβους</b>	Κατά τη λειτουργία μπορεί να ακούγεται ένας χαμηλός ήχος σφυρίγματος. Αυτό είναι φυσιολογικό και προκαλείται από τη ροή του ψυκτικού αερίου στην εσωτερική και την εξωτερική μονάδα.
	Μπορεί να ακούγεται ένας χαμηλός ήχος σφυρίγματος όταν το σύστημα εκκινείται, όταν έχει μόλις σταματήσει ή όταν εκτελείται η διαδικασία απόψυξης. Αυτός ο θόρυβος είναι φυσιολογικός και προκαλείται από τη διακοπή ή την αλλαγή κατεύθυνσης της ροής του ψυκτικού μέσου.
<b>Η εξωτερική μονάδα αναπαράγει θορύβους</b>	Η μονάδα παράγει διάφορους ήχους ανάλογα με την τρέχουσα κατάσταση λειτουργίας.

Πρόβλημα	Πιθανές αιτίες
<b>Εξέρχεται σκόνη από την εσωτερική ή την εξωτερική μονάδα</b>	Στη μονάδα μπορεί να συσσωρευτεί σκόνη κατά τη διάρκεια παρατεταμένων περιόδων μη χρήσης. Στη συνέχεια, όταν η μονάδα τεθεί σε λειτουργία, αυτή η σκόνη βγαίνει προς τα έξω. Για να μετριάσετε αυτό το φαινόμενο, μπορείτε να καλύψετε τη μονάδα κατά τη διάρκεια μεγάλων περιόδων αδράνειας.
<b>Η μονάδα εκκλύει άσχημη οσμή</b>	Η μονάδα μπορεί να απορροφά οσμές από το περιβάλλον (έπιπλα, μαγείρεμα, τσιγάρα κ.λπ.) και να τις εκκλύει κατά τη διάρκεια της λειτουργίας. Τα φίλτρα της μονάδας έχουν πιάσει μούχλα και πρέπει να καθαριστούν.
<b>Η φτερωτή της εξωτερικής μονάδας δε λειτουργεί</b>	Κατά τη διάρκεια της λειτουργίας, η ταχύτητα της φτερωτής ελέγχεται ώστε να βελτιστοποιείται η λειτουργία του κλιματιστικού.

### Συμβουλές για την επίλυση προβλημάτων

Όταν παρουσιάζονται προβλήματα, θα πρέπει να ελέγχετε τα παρακάτω προτού επικοινωνήσετε με μια εταιρεία επισκευών

Πρόβλημα	Πιθανές αιτίες	Λύση
<b>Η μονάδα δε λειτουργεί</b>	Διακοπή ρεύματος	Περιμένετε να επανέλθει το ρεύμα
	Ο διακόπτης λειτουργίας είναι στη θέση απενεργοποίησης	Γυρίστε τον διακόπτη στη θέση ενεργοποίησης
	Η ασφάλεια έχει καεί	Αντικαταστήστε την ασφάλεια
	Οι μπαταρίες του τηλεχειριστηρίου έχουν εξαντληθεί	Αντικαταστήστε τις μπαταρίες του τηλεχειριστηρίου
	Έχει ενεργοποιηθεί η λειτουργία προστασίας 3 λεπτών της μονάδας	Περιμένετε τρία λεπτά μέχρι να επανεκκινήσετε τη μονάδα
<b>Μη ικανοποιητική απόδοση ψύξης</b>	Η ρύθμιση της θερμοκρασίας μπορεί να είναι υψηλότερη από τη θερμοκρασία περιβάλλοντος του χώρου	Μειώστε τη ρύθμιση θερμοκρασίας
	Έχει συσσωρευτεί σκόνη στον εναλλάκτη θερμότητας της εσωτερικής ή της εξωτερικής μονάδας	Καθαρίστε τον εναλλάκτη θερμότητας
	Έχει συσσωρευτεί σκόνη στο φίλτρο αέρα	Αφαιρέστε το φίλτρο και καθαρίστε το σύμφωνα με τις οδηγίες
	Το άνοιγμα εισαγωγής ή εξαγωγής αέρα στην εσωτερική ή στην εξωτερική μονάδα είναι φραγμένο	Απενεργοποιήστε τη μονάδα, απομακρύνετε το εμπόδιο και ενεργοποιήστε τη ξανά
	Οι πόρτες και τα παράθυρα είναι ανοιχτά	Βεβαιωθείτε ότι όλες οι πόρτες και τα παράθυρα είναι κλειστά όταν λειτουργεί η μονάδα
	Παράγεται υπερβολική θερμότητα από το ηλιακό φως	Φροντίστε να κλείνετε τα παράθυρα και τις κουρτίνες κατά τη διάρκεια περιόδων υψηλής ζέστης ή πολύ έντονηςλιακάδας
	Χαμηλή στάθμη ψυκτικού μέσου λόγω διαρροής ή μακροχρόνιας χρήσης	Ελέγξτε για διαρροές, στεγανοποιήστε ξανά το σύστημα αν χρειάζεται και συμπληρώστε το ψυκτικό μέσο
<b>Η μονάδα εκκινείται και σταματά συχνά</b>	Υπάρχει πολύ μεγάλη ή πολύ μικρή ποσότητα ψυκτικού μέσου στο σύστημα	Ελέγξτε για διαρροές και ξαναγεμίστε το σύστημα με ψυκτικό μέσο
	Υπάρχει αέρας, ασυμπίεστο αέριο ή ξένο σώμα στο σύστημα ψύξης	Εκκενώστε και ξαναγεμίστε το σύστημα με ψυκτικό μέσο
	Κάποιο κύκλωμα του συστήματος έχει μπλοκάρει	Εντοπίστε το μπλοκαρισμένο κύκλωμα και αντικαταστήστε το εξάρτημα που δε λειτουργεί σωστά
	Υπάρχει βλάβη στον συμπιεστή	Αντικαταστήστε τον συμπιεστή
	Η τάση είναι υπερβολικά υψηλή ή υπερβολικά χαμηλή	Τοποθετήστε έναν ρυθμιστή πίεσης για τον έλεγχο της τάσης
<b>Μη ικανοποιητική απόδοση θέρμανσης</b>	Η εξωτερική θερμοκρασία είναι εξαιρετικά χαμηλή	Ελέγξτε για διαρροές και ξαναγεμίστε το σύστημα με ψυκτικό μέσο
	Εισέρχεται κρύος αέρας από τις πόρτες και τα παράθυρα	Βεβαιωθείτε ότι όλες οι πόρτες και τα παράθυρα είναι κλειστά κατά τη διάρκεια της χρήσης
	Χαμηλή στάθμη ψυκτικού μέσου λόγω διαρροής ή μακροχρόνιας χρήσης	Ελέγξτε για διαρροές, στεγανοποιήστε ξανά το σύστημα αν χρειάζεται και συμπληρώστε το ψυκτικό μέσο

Πρόβλημα	Πιθανές αιτίες
<b>Οι ενδεικτικές λυχνίες συνεχίζουν να αναβοσβήνουν</b>	<p>Η μονάδα μπορεί να σταματήσει τη λειτουργία της ή να συνεχίσει να λειτουργεί με ασφάλεια. Εάν οι ενδεικτικές λυχνίες συνεχίζουν να αναβοσβήνουν ή εμφανίζονται κωδικοί σφάλματος, περιμένετε για περίπου 10 λεπτά. Το πρόβλημα μπορεί να επιλυθεί αυτόματα. Εάν όχι, αποσυνδέστε την τροφοδοσία και, στη συνέχεια, συνδέστε την ξανά. Ενεργοποιήστε τη μονάδα. Εάν το πρόβλημα παραμένει, αποσυνδέστε την τροφοδοσία και επικοινωνήστε με το εξουσιοδοτημένο service.</p>
<b>Ο κωδικός σφάλματος εμφανίζεται και αρχίζει με τα παρακάτω γράμματα στην οθόνη led:</b> <b>E(x), P(x), F(x)</b> <b>EH(xx), EL(xx), EC(xx)</b> <b>PH(xx), PL(xx), PC(xx)</b>	

**ΣΗΜΕΙΩΣΗ:** Εάν το πρόβλημα επιμένει μετά την εκτέλεση των παραπάνω δοκιμών και διαγνωστικών ελέγχων, απενεργοποιήστε αμέσως τη μονάδα σας και επικοινωνήστε με το εξουσιοδοτημένο service.

## Ευρωπαϊκές Οδηγίες για την απόρριψη

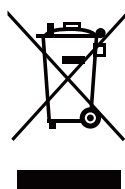
# 6

Για τους χρήστες εντός της Ευρωπαϊκής Ένωσης, η απόρριψη της μονάδας μπορεί να πρέπει να γίνει με κατάλληλο τρόπο. Αυτή η συσκευή περιέχει ψυκτικό μέσο και άλλα ενδεχομένως επικίνδυνα υλικά. Για την απόρριψη αυτής της συσκευής, ο νόμος απαιτεί ειδικές μεθόδους συλλογής και επεξεργασίας. **ΜΗΝ** απορρίπτετε αυτό το προϊόν ως οικιακό απόρριμμα ή ως δημοτικό απόβλητο που δεν έχει περάσει από διαδικασία διαλογής.

Για την απόρριψη αυτής της συσκευής έχετε τις παρακάτω επιλογές:

- Μπορείτε να απορρίψετε τη συσκευή σε καθορισμένη δημοτική εγκατάσταση συλλογής άχρηστων ηλεκτρονικών συσκευών.
- Όταν αγοράζετε μια καινούργια συσκευή, το κατάστημα λιανικής πώλησης μπορεί να παραλάβει δωρεάν την παλιά συσκευή.
- Ο κατασκευαστής μπορεί επίσης να παραλάβει δωρεάν την παλιά συσκευή.
- Μπορείτε να πουλήσετε τη συσκευή σε πιστοποιημένους εμπόρους άχρηστων μετάλλων.

**ΣΗΜΕΙΩΣΗ:** Η απόρριψη αυτής της συσκευής στο δάσος ή σε άλλο φυσικό περιβάλλον δημιουργεί κινδύνους για την υγεία και βλάπτει το περιβάλλον. Μπορεί να διαρρεύσουν επικίνδυνες ουσίες στα υπόγεια ύδατα και να εισχωρήσουν στην τροφική αλυσίδα.



Όλες οι εικόνες στο παρόν εγχειρίδιο εξυπηρετούν επεξηγηματικούς σκοπούς. Το προϊόν που προμηθευτήκατε μπορεί να εμφανίζει ορισμένες διαφορές ως προς το σχήμα, ωστόσο οι λειτουργίες και τα χαρακτηριστικά παραμένουν ίδια. Η εταιρεία δεν φέρει ευθύνη για τυχόν τυπογραφικά λάθη. Ο σχεδιασμός και οι προδιαγραφές του προϊόντος μπορεί να τροποποιηθούν χωρίς προηγούμενη ειδοποίηση με σκοπό τη βελτίωση των προϊόντων. Για λεπτομέρειες, απευθυνθείτε στον κατασκευαστή στο 211 300 3300 ή στον αντιπρόσωπο. Τυχόν ενημερώσεις του εγχειρίδιου θα αναρτηθούν στην ιστοσελίδα του κατασκευαστή, παρακαλούμε να ελέγξετε για την πιο πρόσφατη έκδοση.



Σαρώστε εδώ για να κατεβάσετε την τελευταία έκδοση του εγχειριδίου.  
[www.inventoraircondition.gr/media-library](http://www.inventoraircondition.gr/media-library)

# Υποβολή Εγγύησης

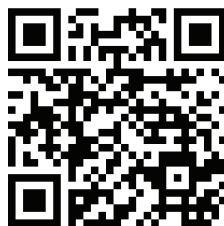
Ακολουθήστε τα παρακάτω σύντομα βήματα για να ενεργοποιήσετε την εγγύησή σας:

## ΒΗΜΑ 1

Επισκεφθείτε την ιστοσελίδα μας μέσω του παρακάτω συνδέσμου:

<https://www.inventoraircondition.gr/egiisi-inventor>

ή σκανάροντας τον ακόλουθο κωδικό QR:



## ΒΗΜΑ 2

Συμπληρώστε όλα τα απαραίτητα πεδία όπως ζητούνται στα "Στοιχεία ιδιοκτήτη" και "Στοιχεία μηχανήματος":

Για να ενεργοποιήσετε την εγγύηση, παρακαλούμε συμπληρώστε τα παρακάτω πεδία:

Στοιχεία Στοιχεία ιδιοκτήτη	Στοιχεία Στοιχεία μηχανήματος
Όνομα	Τύπος
Διεύθυνση*	Σειριακός αριθμός μηχανήματος*

## ΒΗΜΑ 3

Πατήστε το κουμπί ΑΠΟΣΤΟΛΗ, στο κάτω μέρος της φόρμας υποβολής:

Διεύθυνση email\*

Να εγγραφώ στο newsletter της Inventor

**ΑΠΟΣΤΟΛΗ** ησης αποδέχεστε τους όρους και τις προϋποθέσεις.

Μολις ολοκληρωθεί η υποβολή της εγγύησης θα λάβετε την επιβεβαίωση κατοχύρωσης στο email σας

## ΒΗΜΑ 4

Θα λάβετε σχετικό mail επιβεβαίωσης στη διεύθυνση email που έχετε δηλώσει. Παρακαλούμε ελέγξτε και τον φάκελο με τα Ανεπιθύμητα εισερχόμενα.

## ΒΗΜΑ 5

Έχετε υποβάλει επιτυχώς την εγγύηση του προϊόντος Inventor!

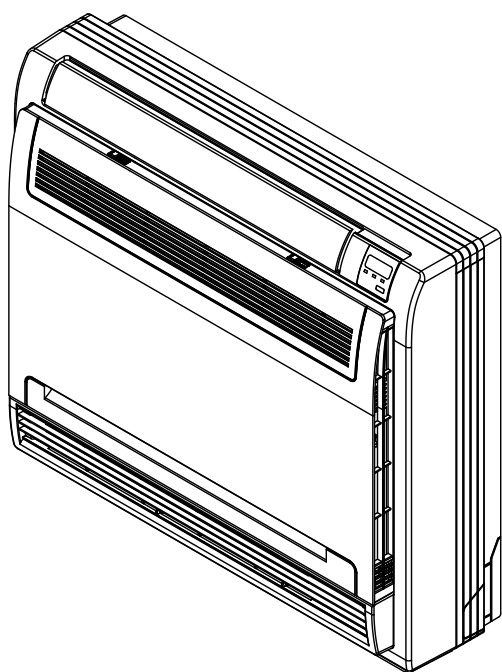
# Cuprins

## Manualul utilizatorului

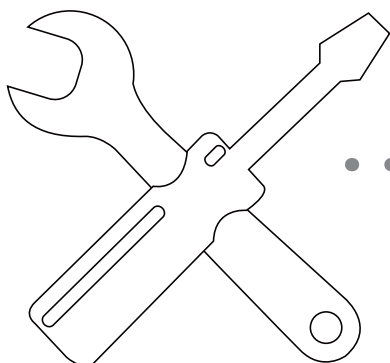
1 Masuri de siguranta.....04



2 Unitatea interioara si functiile principale..... 06

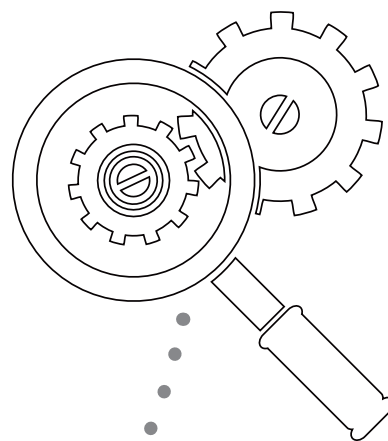


3 Operarea manuala..... 08

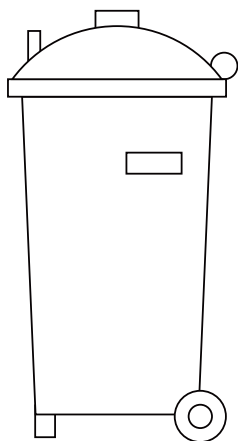


<b>4</b>	Lucrarile de mentenanta .....	09
	a.Mentenanta unitatii .....	09
	b.Curatarea filtrelor de aer .....	09
	c.Remediarea scurgerilor de agent frigorific..	10
	d.Pregatiri in vederea opriri functionarii pentru perioade lungi de timp.....	10

<b>5</b>	Depanare .....	11
	a. Situatii des intalnite .....	11
	b. Sfaturi de depanares.....	12



<b>6</b>	Directivele europene pentru eliminarea deseului .....	14
----------	--	----



Atentie: **PERICOL DE INCENDIU/  
materiale inflamabile.**

**AVERTIZARE:** Lucrarile de service vor fi facute de catre personalul producatorului. Lucrarile de mentenanta si reparatie, vor fi facute de catre alte persoane calificate, sub atenta supraveghere a persoanei autorizate pentru lucrari ce implica agenti frigorifici inflamabili. Mai multe informatii veti gasi in manualul de instalare. (valabil doar pentru aparatele ce folosesc agent frigorific R32/R290).

# Masuri de siguranta

# 1

Multumim pentru ca ati achizitionat aparatul de aer conditionat Inventor. Acest manual va ofera informatii cu privire la operarea, intretinerea si depanarea unitatii dumneavoastra. Urmand sfaturile si instructiunile din acest manual, veti asigura functionarea corecta a aparatului si prelungirea perioadei de utilizare.

**Va rugam sa fiti atent la urmatoarele semne de semnalizare:**



**AVERTIZARE**

**Ignorarea instructiunilor poate duce la deces. Aparatul va fi instalat doar respectand normele nationale si legislatia in vigoare.**



**ATENTIONARE**

**Ignorarea acestor instructiuni poate duce la ranirea utilizatorului sau defectarea aparatului.**



## AVERTIZARE

- Instalarea va fi facuta de catre un distribuitor autorizat. Instalarea incorecta a aparatului poate cauza scurgeri de apa, socuri electrice sau incendii.
- Garantia va fi anulata in cazul in care unitatea nu a fost instalata de personal autorizat.
- In cazul unei situatii anormale (simiti miros de fum), opriti imediat aparatul si contactati distribuitorul pentru instructiuni.
- NU umeziti/udati telecomanda. Pericol de soc electric.
- NU introduceti degetele, bete sau alte obiecte in gurile de admisie/evacuare a aerului. Pericol de ranire datorita ventilatoarelor.
- NU folositi spray-uri inflamabile (fixativ, deodorant, etc.) sau oja/vopsea, langa aparat. Pericol de incendiu.
- Nu folositi alte metode pentru curatarea/de-givrarea aparatului, fata de cele recomandate de catre producator.
- Aparatul va fi depozitat intr-o incapere in care nu exista surse de scanteie sau de combustie (flacari deschise, incalzitoare electrice, etc.)
- Asigurati-va ca aparatul nu va suferi socuri mecanice.

- Luati in considerare faptul ca agentul frigorific poate fi inodor.
- Respectati normele si legile in vigoare cu privire la instalatiile ce folosesc gaze.
- Gurile de ventilatie (admisie/evacuare aer), vor fi intotdeauna libere si nu vor fi obstructionate.  
**NOTA:** aceste instructiuni se aplica aparatelor ce folosesc agent frigorific R32/R290.
- **Nu** perforati si nu ardeti unitatea
- Unitatea va fi instalata si folosita intr-o incapere bine ventilata iar suprafata incaperii core-spunde cu cerintele aparatului.
- Persoanele care vor incepe orice tip de lucrare asupra aparatului sau a traseului frigorific, vor fi autorizate de catre autoritatile competente.
- Lucrarile de service for fi facute in conformitate cu cerintele producatorului. Lucrarile de mentenanta si reparatie ce necesita alte persoane calificate, vor fi supravegheate de catre persoane competente si autorizate pentru lucrari cu agenti frigorifici inflamabili.
- In cazul deteriorarii cablului de alimentare, acesta trebuie inlocuit de catre producator, departamentul de service sau alte persoane calificate.





## ATENȚIE

- **Nu** atingeți gura de evacuare a aerului în timp ce flapsul se mișcă. Va puteți prinde degetele și unitatea se poate defecta.
- **Nu** inspectați unitatea de unul singur. Cereți suportul unui dealer autorizat.
- Pentru a preveni defectarea aparatului, acesta nu va fi folosit în scopul conservării alimentelor, plantelor, animalelor sau a operelor de artă.
- **Nu** atingeți arcurile evaporatorului situat în interiorul unității. Aceste arcuri sunt ascuțite și va puteți răni.
- **Nu** operați aparatul când aveți mâinile ude. Pericol de electrocutare.
- **Nu** așezați obiecte ce pot fi afectate de umiditate, lângă aparat. Condensarea se întâmplă la un nivel al umidității de 80%.
- **Nu** așezați, pentru răcire, obiecte fierbinti sub unitatea interioară. Aparatul se va defecta.
- Verificați periodic unitatea pentru a vă sigura de integritatea acesteia.
- Dacă folosiți aparatul de aer condiționat împreună cu un dispozitiv pentru încălzire, ventilați încăperea pentru a reduce riscul deficienței de oxigen.
- **Nu** vă urcați pe unitatea externă și nu așezați alte obiecte pe aceasta.
- **Nu** utilizați aparatul atunci când folosiți insecticide. Substanțele chimice se pot depune pe unitate și va pot afecta sănătatea.
- **Nu** permiteți copiilor să se joace cu acest aparat.
- **Nu** folosiți aparatul într-o cameră cu umiditate ridicată (baie, spălătorie). Pericol de electrocutare sau defectare a aparatului.

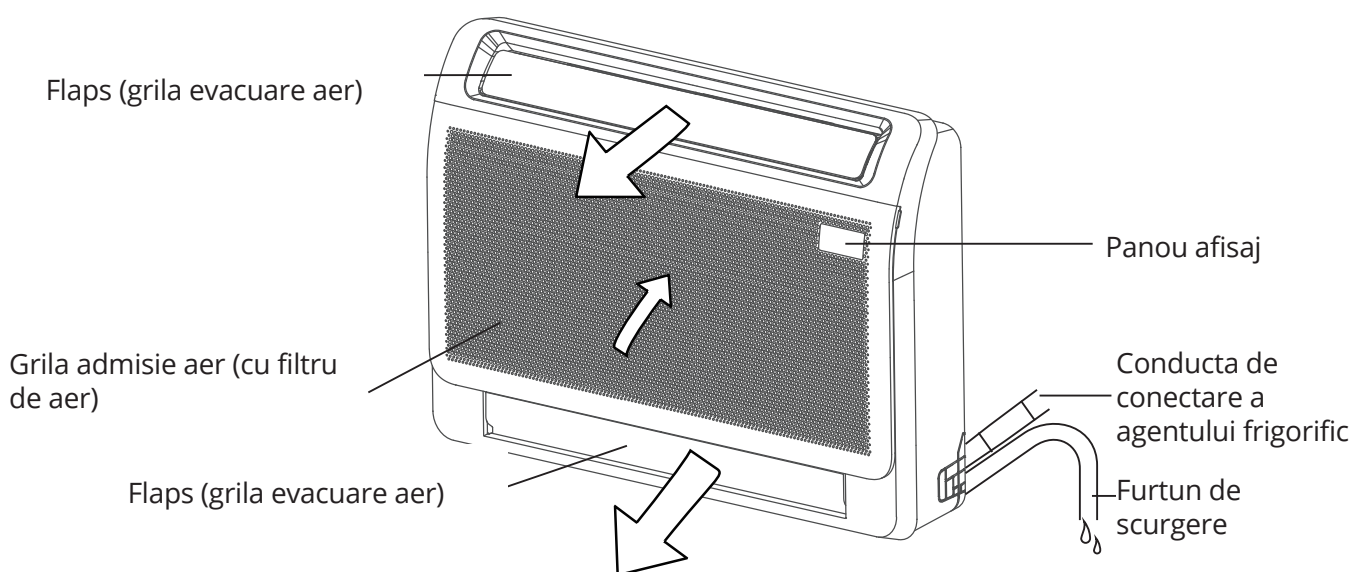
- Acest aparat poate fi folosit de către copii de minim 8 ani sau de către persoane cu abilități fizice, senzoriale sau mentale reduse, doar sub atenta supraveghere și după ce s-a asigurat instructorul. Copiilor nu le va fi permis să se joace cu acest aparat. Curățarea acestui aparat nu va fi făcută de către copii, fără supravegherea atentă a unui adult.
- Aparatul va fi instalat doar respectând normele naționale și legislația în vigoare.
- Instalați unitatea la o înălțime de cel puțin 2.5M, deasupra podelei.
- Includeți în cablajul fix, un comutator de deconectare multipolar ce are o separare de contact de cel puțin 3 mm la toți polii, cu o intensitate nominală de maxim 30mA și o intensitate de scurgere de maxim 10mA.

# Unitatea interioara si functiile principale

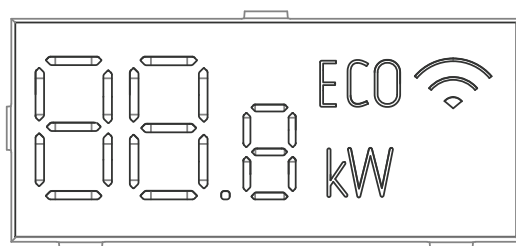
# 2

## Afisaj unitate interioara

**NOTA:** Panoul afisaj, de pe unitatea interna, poate fi folosit pentru operarea unitatii atunci cand nu puteti gasi telecomanda sau cand bateriile sunt consumate.



Οθόνη LED



- **88.8** Afiseaza temperatura si codurile de eroare:
- **ECO** Cand functia ECO (unele unitati) este activata.
- **"dF"** la dezghetare (pentru unitatile de racire si incalzire model B)
- **WiFi** cand functia de control fara fir este activata (unele unitati)
- **"00"** timp de 3 secunde cand:
  - TIMER ON este setat
  - SWING sau SILENCE sunt activate
- **"0F"** timp de 3 secunde cand:
  - TIMER OFF este setat
  - SWING sau SILENCE este dezactivat
- **"CL"** cand unitatea se autocurata
- **"FP"** cand functia de incalzire 8°C este activata

## Conditii de functionare

Pentru a folosi aparatul in siguranta, respectati conditiile de mai jos. In caz de nerespectare a conditiilor, eficienta va scadea si aparatul se poate defecta.

	Modul COOL (racire)	Modul HEAT (incalzire)	Modul DRY (dezumidificare)
<b>Temperatura interioara</b>	16-32°C (62-90°F)	0-30°C (32-86°F)	10-32°C (50-90°F)
<b>Temperatura exterioara</b>	0-50°C (32-122°F)	-15-24°C (5-75°F)	0-50°C (32-122°F)
	-15-50°C (5-122°F) (low temperature cooling models)		

## Funcții

### Setarea standard.

Cand aparatul este repornit, dupa o pana de curent, acesta va functiona in setarea de fabrica (modul AUTO, viteza ventilatorului AUTO, temperatura de 24°C). Puteti folosi telecomanda pentru ajustarea setarii.

### Auto-Restart

In cazul unei pene de curent, sistemul se va opri automat. Cand alimentarea cu energie electrica revine, indicatorul de functionare se va aprinde intermitent. Pentru a reporni unitatea, apasati butonul ON/OFF de pe telecomanda. Daca aparatul dvs. are functia AUTO RESTART, aparatul se va reporni automat cu aceleasi setari.

### Funcția de memorare a poziției flapsului (optional)

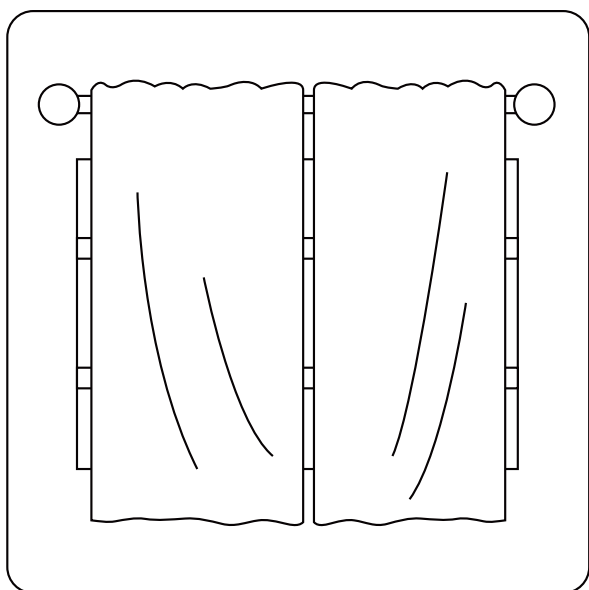
Anumite modele beneficiaza de functia de memorare a unghiului flapsului. Cand unitatea este repornita, dupa o pana de curent, flapsul orizontal va reveni automat in unghiul precedent. Nu stabiliti un unghi prea mic al flapsului, pentru a preveni scurgerea condensului in interiorul aparatului. Pentru resetarea unghiului, apasati butonul manual.

### Sistemul pentru detectarea scurgerilor de agent frigorific

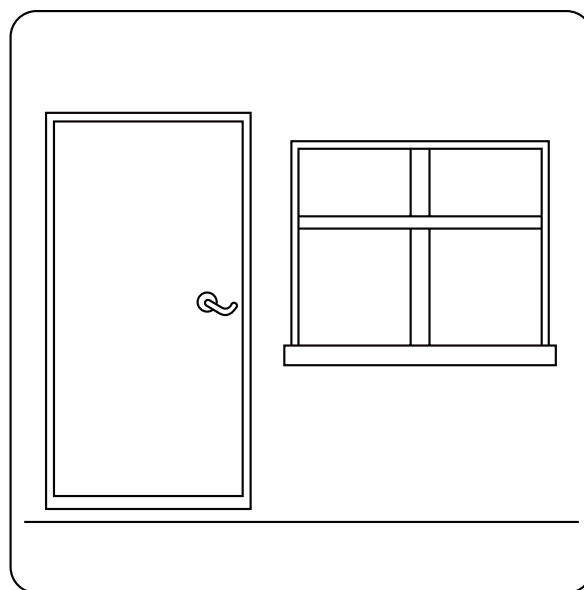
In cazul unei scurgeri de agent frigorific, display-ul LCD va afisa mesajul "EC" sau "ELoC" si indicatorul LED corespondent se va aprinde intermitent.

## Sfaturi pentru economie de energie electrica.

- **NU** programati aparatul pe temperaturi extreme.
- In timpul racirii, trageți draperiile pentru a reduce patrunderea luminii solare.
- Mentineti inchise usile si ferestrele pentru a pastra temperatura constanta in incapere.
- Nu obstructionati prizele de admisie/evacuare a aerului. In caz contrar, eficienta aparatului va scadea.
- Folositi functia de temporizator(TIMER)/ECONOMY daca aceste functii sunt disponibile.
- Daca nu veti folosi aparatul pentru o perioada lunga de timp, scoateti bateriile din telecomanda.
- Curatati filtrele de aer cel puțin o data la 2 saptamani. Un filtru murdar va reduce eficienta in incalzire/racire.
- Ajustati unghiul flapsului corect si evitati contactul direct cu fluxul de aer.



**In timpul incalzirii, draperiile trase pot ajuta la pastrarea temperaturii.**



**Usile si ferestrele trebuie sa fie inchise.**

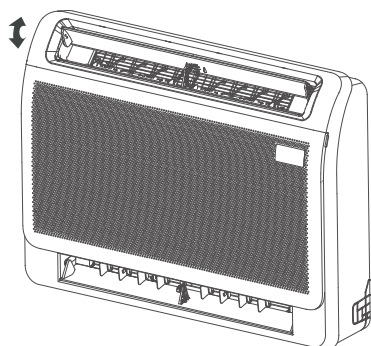
# Operarea manuala a unitatii

# 3

## Reglarea directiei fluxului de aer

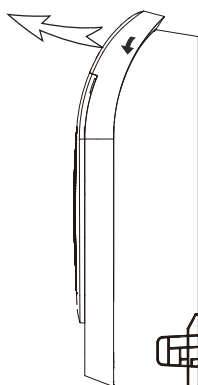
### • Oscilarea Manuala:

apasati butonul pentru directionarea fluxului de aer (Air Direction), pentru reglarea unghiului flapsului (in sus sau in jos). Unghiul se va modifica la fiecare apasare a butonului.



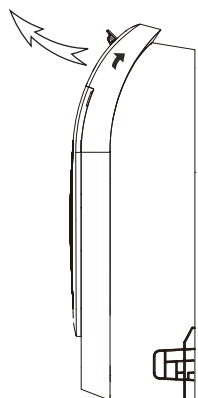
### • La racire:

Reglati flapsul in jos (orizontal).



### • La incalzire:

Reglati unghiul flapsului in sus (pe verticala).

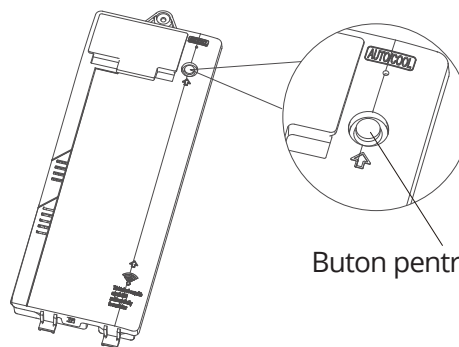


### ! ATENTIE:

Nu incercati sa reglati fanta orizontala manual. Acest lucru poate cauza deteriorarea mecanismului si poate duce la formarea condensului pe orificiile de evacuare a aerului.

### • Setarea comutatorului flapsurilor de aer inferior.

In conditiile respectarii temperaturii ambientale, fanta de aer inferioara poate fi deschisa atunci cand unitatea este pornita. Pentru a selecta daca fanta de aer inferioara este activata sau oprita, utilizati butonul de pe cutia de comanda electrica. In 10 minute de la pornire, apasati-l timp de 5 secunde pentru a intra in modul in starea de asteptare. Apasati-l pentru a deschide sau a inchide fanta de aer inferioara.



Buton pentru fanta de aer

Cutie de control electric

**NOTA:** in timpul procesului de setare, panoul de afisare afiseaza starea comutatorului flapsului de inferior.

pornit - deschis

oprit - inchis

# Mentenananta

# 4

## Masuri de siguranta

- Pentru lucrari de mentenananta, contactati doar departamentul de service autorizat. Reparatia sau mentenanata incorecta poate produce scurgeri de apa, soc electri sau incendiu si va duce la anulara garantiei.
- NU inlocuiti o siguranta arsa cu o siguranta cu specificatii necorespunzatoare (amperaj mai mare sau mai mic). Risc de incendiu sau defectiune a aparatului.
- Asigurati-va ca furtunul de scurgere este asezat respectand instructiunile. Risc de scurgeri, pagube materiale, incendiu sau soc electric.
- Asigurati-va ca circuitul electric este conectat corect. Pericol de soc electric sau incendiu.

## Intretinerea unitatii



### INAINTE DE A INCEPE LUCRAREA DE MENTENANTA/CURATARE.

- Inainte de inceperea oricarei lucrari, opriti aparatul si scoateti-l din priza.
- **Nu** folositi substante chimice sau materiale textile tratate chimic pentru a curat aparatul
- **Nu** folositi benzen, diluant sau pudra pentru lustruire. Suprafata se poate crapa/deforma.
- **Nu** spalati unitatea sub jet de apa. Pericol de soc electric.
- **Nu** folositi apa la o temperatura mai mare de 40 de grade pentru a curata panoul frontal. Acesta se poate decolora/deforma.
- Curatati unitatea folosind un detergent delicat si o carpa umeda, fara scame. Uscati unitatea cu ajutorul unei carpe uscate, fara scame.

## CURATAREA FILTRULUI DE AER

Filtrul previne accesul prafului si al diverselor particule in interiorul unitatii. Acumularea de praf duce la scaderea performantei aparatului. Pentru eficienta optima, curatati filtrul cel putin o data la 2 saptamani, mai frecvent daca locuiti intr-o zona cu mult praf. In cazul in care nu puteti curata filtrul, inlocuiti-l cu unul nou.

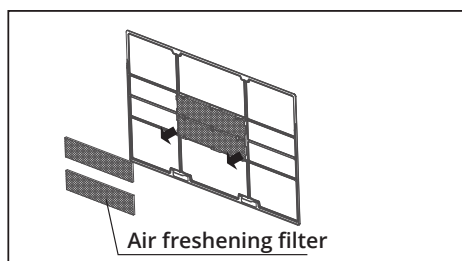
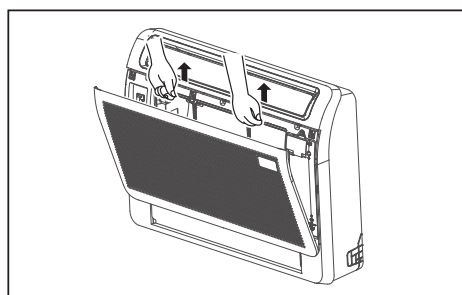
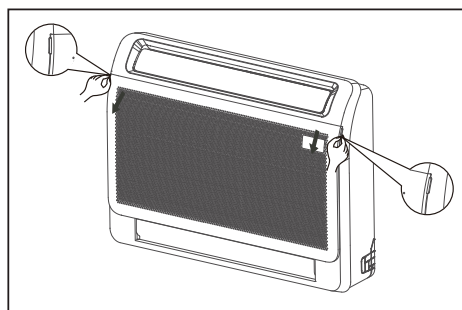


### AVERITZARE: NU INLATURATI SI NU CURATATI FILTRUL DE AER, SINGUR.

Demontarea si curatarea filtrului pot fi actiuni periculoase. Demontarea si intretinerea aparatului trebuie facute de catre un tehnician autorizat.

**NOTA:** In cazul locuintelor in care traiesc si animale, stergeti grila frontala periodic pentru a evita blocarea sistemului cu par.

1. Trageti de manerele din stanga si din dreapta ale panoului frontal, trageti panoul spre exterior si deschideti panoul.
2. Scoateti filtrul de aer. Apasati usor ghearele din partea dreapta si stanga a filtrului de aer, apoi trageti in sus..
3. Tineti urechile cadrului si scoateti cele 4 gheare. (Filtrul cu functie speciala poate fi spalat cu apa o data la 6 luni. Se recomanda sa il inlocuiti o data la 3 ani.)



4. Demontati filtrul de aer
  5. Curatati filtrul de aer cu ajutorul unui aspirator sau prin spalare in apa calda cu un detergent delicat.
- A. In cazul in care folositi aspiratorul, curatati partea interioara a filtrului.

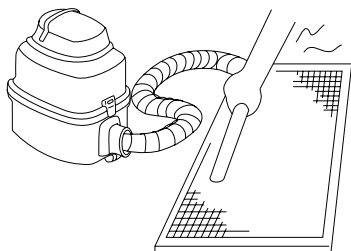


Fig. 4.4

B. Daca veti curata filtrul cu apa, partea exterioara a filtrului va fi indreptata catre jetul de apa.

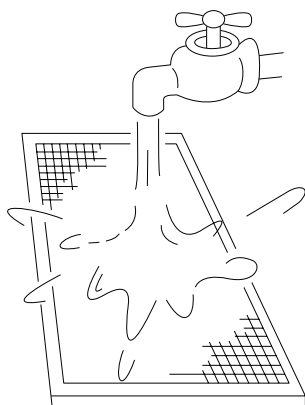


Fig. 4.5

6. Clatiti filtrul cu apa curata si permiteti uscarea naturala. **Nu** expuneti filtrul direct in lumina solara.
7. Montati filtrul.



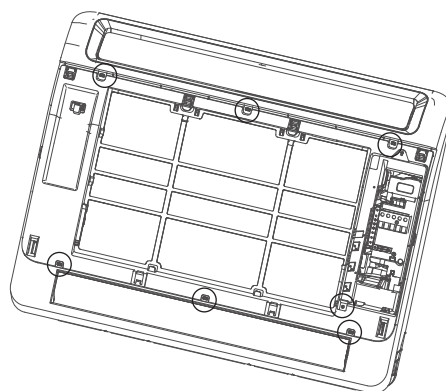
## PRUDENTA

- Inainte de a schimba filtrul sau de a-l curata, opriti unitatea si deconectati de la sursa de alimentare electrica.
- Cand scoateti filtrul, nu atingeti partile metalice din unitate. Marginile ascutite de metal va pot taia.
- Nu folositi apa pentru a curata interiorul unitatii interioare. Acest lucru poate distruge izolatia si poate provoca electrocutare.
- Nu expuneti filtrul la lumina directa a soarelui in timpul uscarii. Acest lucru poate micașora filtrul.

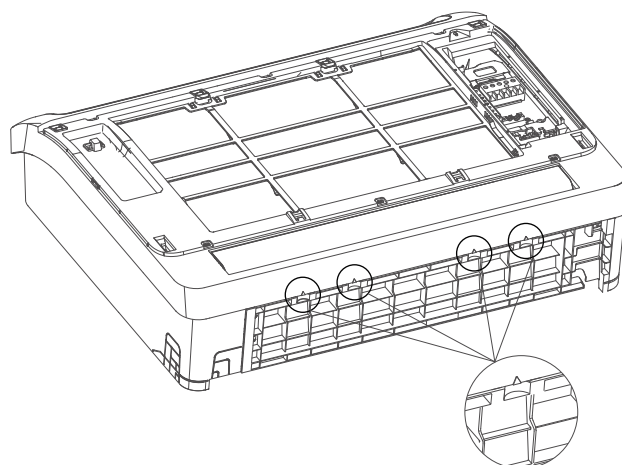
- Orice intretinere si curatare a unitatii exterioare trebuie efectuate de un dealer autorizat sau de un service autorizat.
- Orice reparatii ale unitatii trebuie efectuate de un dealer autorizat sau de un service autorizat.

## Inlocuiti piesele interne

1. Trageti de manerele din stanga si din dreapta ale panoului frontal, trageti panoul spre exterior si deschideti panoul.
2. Scoateti cele 7 suruburi de pe rama fetei.



3. Inchideti clema indicata de sageata si indepartati cadrul fetei.



4. Inlocuiti piesele interne.
5. Instalati cadrul frontal si partile panoului.

## Repararea scurgerilor de freon



### AVERTIZARE

- In cazul unei scurgeri de agent frigorific, opriti aparatul si orice alt echipament pentru incalzire, aerisiti camera si sunati distribuitorul imediat. Agentul frigorific este atat inflamabil cat si toxic. NU FOLOSITI APARATUL pana acesta nu a fost reparat.
- Cand aparatul de aer conditionat este instalat intr-o incapere cu o suprafata mica, luati masuri suplimentare de prevenire a dezvoltarii unei concentratii mari de agent frigorific in cazul unei scurgeri. Concentratia prezinta o amenintare serioasa asupra sigurantei si poate produce probleme grave de sanatate.

### Sistemul de detectare a scurgerilor de agent frigorific.

- In cazul unei scurgeri, display-ul LCD va afisa mesajul "EC" sau "ELoC" si indicatorul LED se va aprinde intermitent.

### Pregatiri in vederea opriri functionarii pentru perioade lungi de timp.

#### Mentenanata dupa o perioada indelungata in care aparatul nu a fost folosit.

1. Inlaturati orice obstacol care blocheaza prizele de admisie/evacuare a aerului, atat la unitatea interioara cat si la cea exterioara.
2. Curatati atat filtrul de aer cat si grila frontala a unitatii interioare. Montati filtrul in pozitia originala, dupa ce a fost curatat si uscat.
3. Conectati aparatul la reseaua de energie electrica, cu cel putin 12 ore inainte de a-l porni spre folosinta.

#### Pastrarea aparatului atunci cand nu este folosit.

1. Folositi aparatul in modul FAN entru 12 ore, intr-o camera calda, pentru a-l usca si a preveni aparitia mucegaiului.
2. Opriti aparatul si scoateti-l din priza.
3. Curatati filtrul conform instructiunilor. Montati filtrul in pozitia originala dupa ce a fost curatat si uscat.
4. Scoateti bateriile din telecomanda.



# Depanarea

# 5

## ATENTIE

În cazul apariției uneia dintre situațiile de mai jos, opriți alimentarea cu energie electrică a aparatului și contactați imediat departamentul de service:

- LED-ul semnalizator al alimentării se aprinde intermitent, rapid, după ce unitatea a fost pornită
- Butoanele telecomenzii nu funcționează
- Aparatul declanșează în continuu siguranțele panoului electric.
- Obiecte străine sau apă au pătruns în interiorul aparatului
- Alte situații anormale.

## Situații comune

Simptomele prezentate mai jos nu reprezintă defecțiuni și pot fi rezolvate de către dvs, fără a fi nevoie de reparații.

Prezentare	Posibile cauze
<b>Aparatul nu porneste atunci când este apasat butonul ON/OFF</b>	Aparatul are o perioadă de protecție de 3 minute, ce previne suprasolicitarea aparatului. În această perioadă, aparatul nu poate fi pornit.
	În timpul funcționării în modul COOL și HEAT: dacă semnalul LED și indicatorul PRE-DEF (pre-încălzire/degivrare) sunt aprinse, temperatura exterioară este prea scăzută și protecția anti-înghețare a unității este activată pentru a degivra unitatea.
	Pentru modelele care au disponibil doar modul COOL (racire): Dacă indicatorul "FAN ONLY" este aprins, funcția de degivrare a fost activată datorită temperaturii scăzute din exterioară.
<b>Unitatea trece din modul COOL în modul FAN</b>	Această schimbare este datorată protecției anti-îngheț. Această protecție, previne formarea gheții pe unitate. Odată ce temperatura crește, unitatea va funcționa normal.
	Temperatura aleasă a fost atinsă și compresorul se va opri. Compresorul va fi repornit când temperatura se schimbă
<b>Unitatea interioară degaja o ceață albă</b>	În regiuni umede, diferența mare de temperatura încăperii și temperatura unității interioare, poate degaja o ceață albă.
<b>Atat unitatea interioară cât și cea exterioară degaja ceață albă</b>	La repornirea în modul HEAT, după degivrare, ceață albă poate fi degajată datorită umidității generate de procesul de degivrare.
<b>Unitatea interioară emite zgomote</b>	Un sunet scartait este produs atunci când aparatul este oprit sau când funcționează în modul COOL. Zgomotul se poate produce și când pompa de scurgere (dispozitiv opțional), este operațională.
	Un sunet scartait se poate auzi după ce ați folosit aparatul în modul HEAT. Acest sunet este produs de dilatarea și contractarea părților componente din plastic.
<b>Atat unitatea interioară cât și cea exterioară produc zgomote</b>	Un susnet sasait poate fi produs în timpul funcționării. Acesta este un fenomen normal, datorat circulației agentului frigorific prin conductele unităților.
	Un susnet sasait de intensitate scăzută poate fi auzit atunci când sistemul este pornit, oprit, funcțional sau în timpul degivrării. Sunetul este cauzat de agentul frigorific la oprire sau la schimbarea direcției prin conductele unităților.
<b>Unitatea exterioară emite zgomote</b>	Aparatul generează zgomote în funcție de modul de funcționare.

Prezentare	Posibile cauze
<b>Unitatea interioara sau cea exterioara degaja praf</b>	In cazul neutilizarii aparatului pentru o perioada lunga de timp, praful se poate acumula. Acesta va fi eliminat la repornire. Pentru a preveni acest fenomen, puteti acoperii unitatile.
<b>Unitatile produc mirosuri neplacute</b>	Unitatile vor absorbi mirosuri din mediul inconjurator (gatit, fum de tigara, etc.), care pot fi degajate in timpul functionarii.
	Filtrele au prins mucegai si trebuie curatate.
<b>Ventilatorul unitatii exterioare nu functioneaza</b>	In timpul functionarii, viteza ventilatorului este controlata automat pentru a optimiza functionarea.

## Sfaturi de depanare

La aparitia acestor probleme, verificati lista inainte de a suna departamentul de service.

Problema	Cauze posibile	Solutia
<b>Aparatul nu functioneaza</b>	Pana de curent	Asteptati pana energia electrica revine.
	Aparatul este oprit	Porniti aparatul
	Siguranta arsa	Inlocuiti siguranta
	Bateriile telecomenzii sunt descarcate	Inlocuiti bateriile
	A fost activata protectia de 3 minute.	Asteptati 3 minute pana sa reporniti aparatul
<b>Performanta scazuta la racire</b>	Temperatura setata se poate sa fie mai mare decat temperatura incaperii.	Scadeti temperatura setata
	Dispozitivul pentru transferul caldurii, echipat pe unitatea interioara, este murdar.	Curatati dispozitivul de transfer de caldura, afectat.
	Filtrul este murdar	Demontati si curatati filtrul, conform instructiunilor
	Gurile de admisie/evacuare a aerului sunt blocate.	Opriti aparatul, inlaturati obstacolul si porniti aparatul.
	Usile si ferestrele sunt deschise	Asigurati-va ca toate usile si ferestrele sunt inchise in timpul functionarii
	Caldura excesiva generata de lumina solara	Inchideti ferestrele si trageți draperiile in perioade cu temperaturi foarte ridicate sau lumina solara foarte puternica.
	Nivel scazut al agentului frigorific, cauzat de o scurgere sau folosire indelungata.	Verificati daca exista scurgeri, resigilati si completati cu agent frigorific.
<b>Unitatea se opreste si porneste frecvent</b>	Prea mult sau prea putin agent frigorific	Verificati daca exista scurgeri si completati cu agent frigorific.
	Sistemul a fost contaminat cu aer, gaz sau alte materii straine	Purjati sistemul si reumpleti cu agent frigorific
	Circuitul este blocat	Detectati circuitul defect si inlocuiti piesa.
	Compresorul este defect	Inlocuiti compresorul
	Tensiunea nu este conforma (prea scazuta sau prea crescuta)	Instalati un stabilizator de tensiune
<b>Performanta scazuta la incalzire</b>	Temperatura exterioara este extrem de scazuta	Verificati daca exista scurgeri si completati cu agent frigorific.
	Aerul rece patrunde in incapere prin usi sau ferestre.	Mentineti usile si ferestrele inchise pe durata folosirii
	Nivel scazut al agentului frigorific, cauzat de o scurgere sau folosire indelungata.	Verificati daca exista scurgeri, resigilati si completati cu agent frigorific.

Problema	Cauze posibile
<b>Lampile indicatoare continua sa clipeasca</b>	Unitatea poate opri functionarea sau poate continua sa functioneze in siguranta. Daca lampile indicatoare continua sa clipeasca sau apar coduri de eroare, asteptati aproximativ 10 minute. Problema se poate rezolva de la sine. Daca nu, deconectati alimentarea, apoi conectati-o din nou. Porniti unitatea. Daca problema persista, deconectati alimentarea si contactati cel mai apropiat centru de asistenta pentru clienti.
<b>Codul de eroare apar si incep cu litere dupa cum urmeaza in fereastra unitatii interioare:</b> <b>E(x), P(x), F(x)</b> <b>EH(xx), EL(xx), EC(xx)</b> <b>PH(xx), PL(xx), PC(xx)</b>	

**NOTA:** Daca problema persista dupa efectuarea verificarilor si diagnosticelor de mai sus, opriti imediat unitatea si contactati un service autorizat.

## Directivele europene pentru eliminarea deseului.

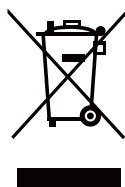
6

Utilizatorii din tarile europene pot fi obligati sa elimine acest produs in anumite conditii. Acest aparat contine agent frigorific si alte materiale nocive. Legea impune colectarea si tratamentul special al acestui tip de deoseu. NU ARUNCATI acest aparat impreuna cu deseul municipal.

La eliminarea acestui aparat, respectati urmatoarele aspecte:

- Lasati acest aparat intr-o unitate speciala de colectare a deseurilor electronice.
- La cumpararea unui aparat nou, vanzatorul va poate ridica gratuit echipamentul vechi.
- Producatorul va poate ridica produsul vechi gratuit.
- Puteti vinde aparatul catre firmele care se ocupa cu colectarea fierului vechi.

**NOTA:** Aruncarea acestui aparat in padure sau alte locuri din natura, dauneaza mediului inconjurator. Substantele nocive pot ajunge in panza freatica si in alimente.



Toate imaginile din acest manual, au scop pur informativ. Forma reala a produsului pe care l-ati cumparat poate fi usor diferita inasa functiile si operatiile sunt aceleasi.

Compania nu isi asuma nici o responsabilitate pentru greselile de tipar. Aspectul fizic si specificatiile tehnice se pot schimba fara o notificare prealabila datorita imbunatatirii continue a echipamentelor noastre.

Pentru mai multe detalii, va rugam sa contactati producatorul la numarul de telefon : +30 211 300 3300, sau vanzatorul echipamentului. Toate actualizarile acestui manual vor fi disponibile pe website-ul nostru si va recomandam sa verificati intotdeauna pentru aparitia unei noi versiuni.



Scanati codul QR pentru a descarca ultima versiune a manualului.  
[www.inventoraerconditionat.ro/biblioteca-media](http://www.inventoraerconditionat.ro/biblioteca-media)



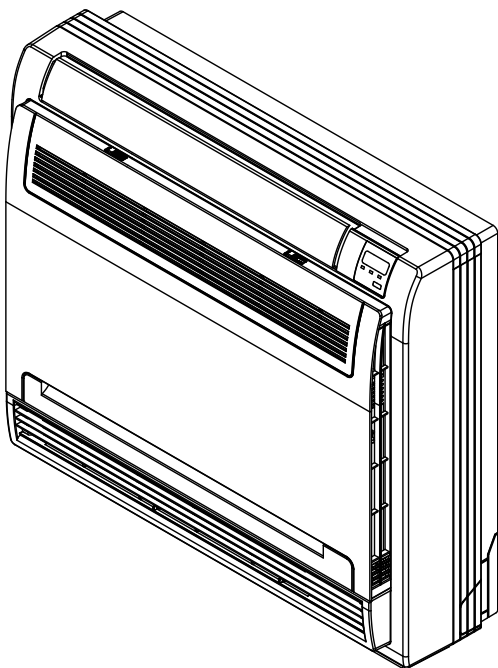
# Inhaltsverzeichnis

## Benutzerhandbuch

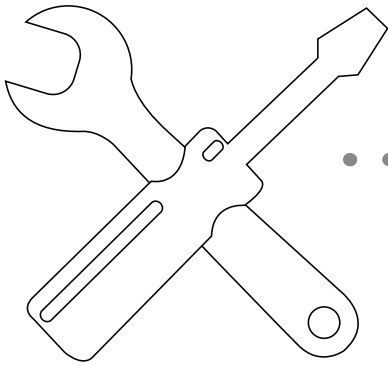
**1** Sicherheitsvorkehrungen .....04



**2** Bauteile und Funktionen  
des Innengeräts ..... 06

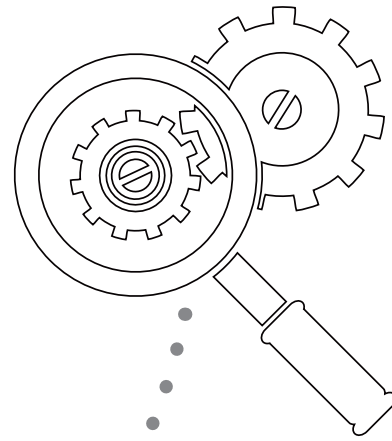


**3** Manuelle Funktionen..... 08

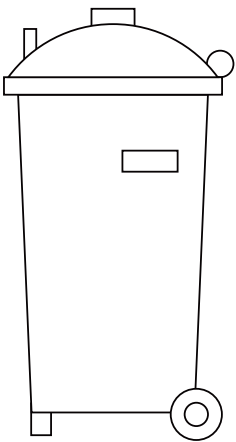


<b>4</b>	Pflege und Wartung.....	09
	a. Wartung des Geräts .....	09
	b. Luftfilterreinigung .....	09
	c. Kältemittelaustritt reparieren .....	10
	d. Vorbereitung für Stillstandzeiten.....	10

<b>5</b>	Fehlerbehebung.....	11
	a. Häufige Fehler .....	11
	b. Tipps zur Fehlerbehebung.....	12



<b>6</b>	Europäische Richtlinien zur Entsorgung .....	14
----------	--	----



Vorsicht: **Brandgefahr/ Entzündliche Materialien**

**WARNUNG:** Der Service darf nur in der vom Hersteller empfohlenen Weise durchgeführt werden. Wartungs- und Reparaturarbeiten, die die Unterstützung durch anderes qualifiziertes Personal erfordern, sollten unter Aufsicht der Person durchgeführt werden, die für die Verwendung entzündlicher Kühlmittel verantwortlich ist. Weitere Informationen finden Sie in den Serviceinformationen im INSTALLATIONSHANDBUCH. (Folgende Informationen sind nur für Geräte erforderlich, bei denen Kühlmittel R32/R290 eingesetzt wird)

# Sicherheitsvorkehrungen

# 1

Vielen Dank, dass Sie sich für diese Klimaanlage entschieden haben. Dieses Benutzerhandbuch enthält nützliche Tipps zum Bedienen, Warten und Beheben von Fehlern der Klimaanlage. Die Einhaltung der Richtlinien gewährleistet den korrekten Betrieb und die Verlängerung der Lebensdauer des Geräts.

**Sie sollten die folgenden Symbole beachten:**



**WARNUNG**

**Die Nichtbeachtung der Anweisungen kann zum Tod führen. Das Gerät muss gemäß den nationalen Vorschriften installiert werden.**



**VORSICHT**

**Die Nichtbeachtung der Anweisungen kann zu Verletzungen oder Schäden am Gerät führen.**



## **WARNUNG**

- Lassen Sie diese Klimaanlage von einem zugelassenen Händler installieren. Bei unsachgemäßer Installation können Wasserlecks, Stromschläge oder Brand auftreten.
- Die Garantie erlischt, wenn das Gerät nicht von einem Fachmann installiert wird.
- Wenn ein ungewöhnlicher Zustand auftritt (z. B. riecht nach verbranntem Material), schalten Sie die Stromversorgung aus und wenden Sie sich an Ihren Händler, um Anweisungen zu erhalten, wie Sie einen elektrischen Schlag, Brand oder Verletzungen vermeiden können.
- **Lassen** Sie das Innengerät oder die Fernbedienung NICHT nass werden. Dies kann zu einem elektrischen Schlag oder Brand führen.
- **Stecken** Sie NICHT Ihre Finger, Stöcke oder andere Gegenstände in die Lufteinlass- oder Auslassöffnungen. Dies kann zu Verletzungen führen, da sich der Lüfter mit hoher Geschwindigkeit drehen kann.
- **Verwenden** Sie in der Nähe des Geräts KEINE brennbaren Sprays wie Lack, Glasur oder Farbstoffe. Feuer oder brennendes Material können die Folge sein.
- **Verwenden** Sie keine anderen als die vom Hersteller empfohlenen Defroster- oder Reinigungsmittel.
- Das Gerät sollte an einem Ort gelagert werden, an dem es keine Zündquellen gibt (z. B. offene Flammen, aktive Gasgeräte oder elektrische Heizgeräte).
- Das Gerät sollte so gelagert werden, dass mechanische Beschädigungen vermieden werden.

- Sie sollten wissen, dass die Kältemittel nicht riechen.
- Sie müssen die nationalen Vorschriften für Gase einhalten.
- **Blockieren** Sie nicht die Entlüftungsöffnungen.  
**HINWEIS:** Folgende Informationen sind für Geräte erforderlich, bei denen Kältemittel R32/R290 eingesetzt wird.
- **Das Gerät** nicht durchstechen oder verbrennen.
- Das Gerät muss in einem gut belüfteten Bereich gelagert werden, dessen Größe dem für seinen Betrieb vorgesehenen Bereich entspricht.
- Jede Person, die Arbeiten ausführt oder mit Kältemittelkreisläufen interagiert, sollte im Besitz eines gültigen Zertifikats einer akkreditierten Bewertungsstelle sein, das die Eignung der Person für den sicheren Umgang mit Kältemitteln genehmigt. Das Zertifikat sollte gemäß einem branchenweit anerkannten Bewertungsstandard ausgestellt worden sein.
- Der Service darf nur auf die vom Gerätehersteller empfohlene Weise durchgeführt werden. Wartungs- und Reparaturarbeiten, die die Unterstützung durch anderes qualifiziertes Personal erfordern, sollten unter Aufsicht der Person durchgeführt werden, die für die Verwendung entzündlicher Kältemittel verantwortlich ist.
- Wenn das Netzkabel beschädigt ist, muss es vom Hersteller, vom Kundendienst des Herstellers oder von einer anderen Person mit ähnlichen Zertifizierungen ersetzt werden, um das Risiko zu vermeiden.





## VORSICHT

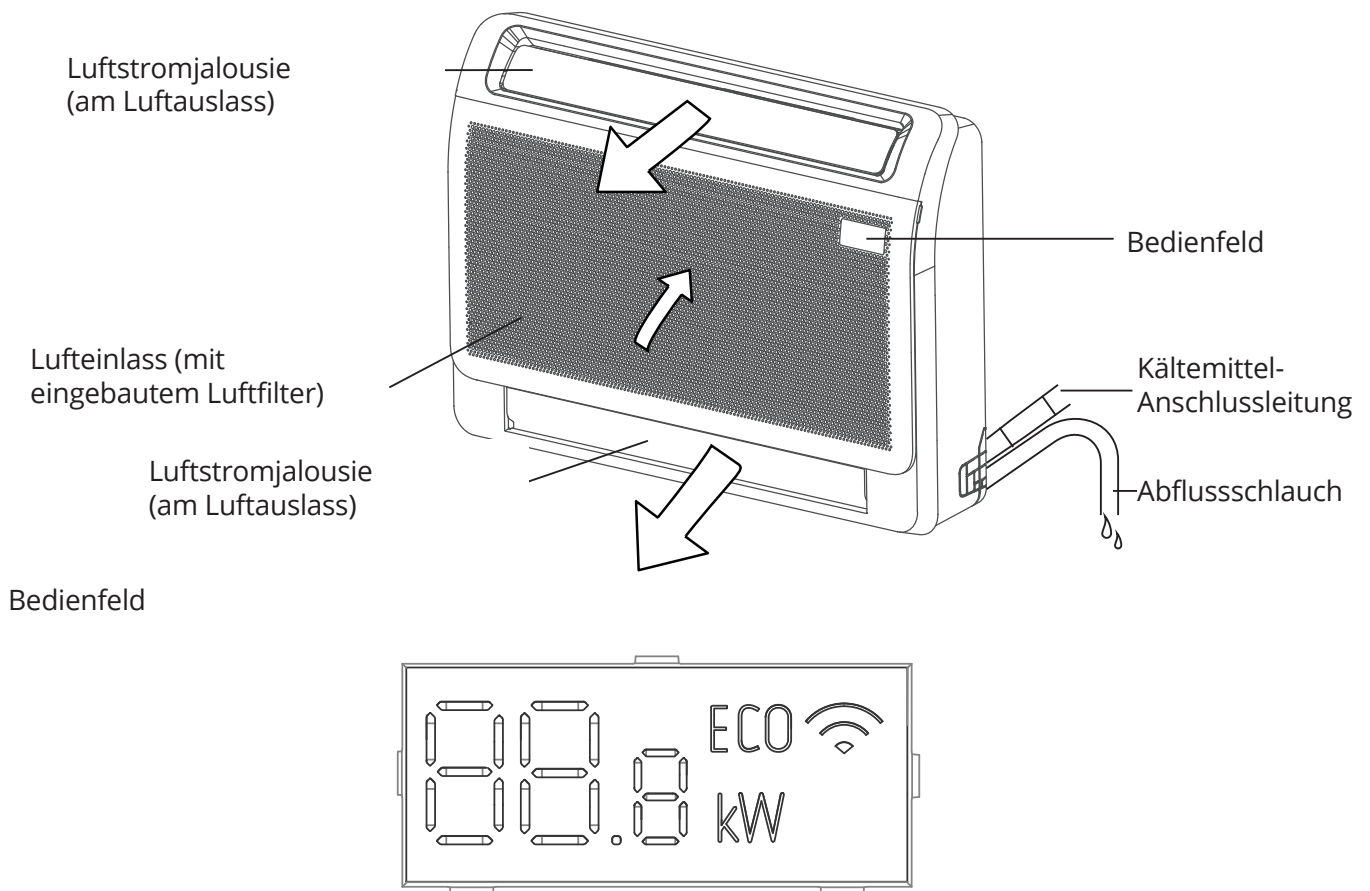
- **Berühren** Sie nicht den Luftauslass, während sich der Lüfter dreht. Es kann Ihre Finger einklemmen oder das Gerät beschädigen.
  - **Führen** Sie die Geräteinspektion nicht selbst durch. Lassen Sie einen autorisierten Händler die Inspektion durchführen.
  - Verwenden Sie die Klimaanlage nicht zu Aufbewahrungszwecken (Lagerung von Lebensmitteln, Pflanzen, Tieren, Kunstwerken usw.), um die Produktleistung nicht zu beeinträchtigen.
  - **Berühren** Sie nicht die Verdampferwicklungen im Innengerät. Verdampferwicklungen sind scharf und können Verletzungen verursachen.
  - Bedienen Sie **NICHT** die Klimaanlage mit nassen Händen. Dies kann einen elektrischen Schlag verursachen.
  - Legen Sie **KEINE** Gegenstände unter das Innengerät, da diese durch Feuchtigkeit beschädigt werden können. Bei einer relativen Luftfeuchtigkeit von 80% kann Wasser verdampfen.
  - **Setzen** Sie die wärmeerzeugenden Geräte KEINER kalten Luft aus und stellen Sie sie nicht unter das Innengerät. Es kann zu unvollständiger Verbrennung oder Verformung des Geräts aufgrund von Hitze kommen.
  - Nach langem Gebrauch müssen Sie das Innengerät überprüfen, um festzustellen, ob Schäden aufgetreten sind. Wenn das Innengerät beschädigt ist, kann es herunterfallen und Verletzungen verursachen.
  - Wenn das Klimagerät zusammen mit anderen Heizgeräten verwendet wird, muss der Raum gut belüftet werden, um einen Sauerstoffmangel zu vermeiden.
  - **Klettern** Sie nicht auf das Außengerät und stellen Sie keine Gegenstände darauf.
  - **Betreiben** Sie die Klimaanlage nicht, wenn Sie rauchproduzierende Insektizide verwenden. Das Gerät kann eine Schicht aus Chemikalien bilden und Personen, die überempfindlich auf diese Chemikalien reagieren, gefährden.
  - **Lassen** Sie Kinder NICHT mit der Klimaanlage spielen.
  - **Verwenden** Sie die Klimaanlage NICHT in feuchten Umgebungen (z. B. in Bädern oder Waschküchen). Dies kann einen elektrischen Schlag verursachen und die Produktleistung beeinträchtigen.
- Dieses Gerät kann von Kindern ab 8 Jahren und Personen mit eingeschränkten körperlichen, sensorischen oder geistigen Fähigkeiten oder mit unzureichenden Erfahrungen und Kenntnissen verwendet werden, wenn die Anwendung überwacht wird oder wenn diese Personen über die sichere Verwendung des Geräts unterrichtet wurden und die damit verbundenen Gefahren verstehen. Kinder dürfen nicht mit dem Gerät spielen. Reinigung und Wartung sollten nicht von unbeaufsichtigten Kindern durchgeführt werden.
  - Das Gerät muss gemäß den nationalen Bestimmungen für elektrische Installationen installiert werden.
  - Das Innengerät muss in einer Höhe von 2,5 m über dem Boden installiert werden.
  - Ein Multipol-Trennschalter mit einem Abstand von mindestens 3 mm über alle Pole und ein Leckstrom-Schutzvorrichtung (RCD) mit einem Bemessungsstrom von mehr als 10 mA gemäß den nationalen Vorschriften müssen in die feste Verdrahtung einbezogen werden.

# Bauteile und Funktionen der Inneneinheit

# 2

## Anzeige des Innengerätes

**HINWEIS:** Dieses Anzeigefeld am Innengerät kann zur Bedienung des Gerätes verwendet werden, falls die Fernbedienung verlegt wurde oder die Batterien leer sind.



• **88.8** Zeigt Temperatur und Fehlercodes an:

"dF" beim Abtauen (für Kühl- und Heizgeräte Modell B)

"00" 3 Sekunden lang, wenn:

- TIMER ON ist eingestellt
- SWING oder SILENCE ist eingeschaltet


"0F" 3 Sekunden lang, wenn:

- TIMER OFF eingestellt ist
- SWING oder SILENCE ist ausgeschaltet

"CL" wenn das Gerät sich selbst reinigt

"FP" wenn die 8°C-Heizfunktion eingeschaltet ist

• **ECO** Wenn die ECO-Funktion (einige Geräte) aktiviert ist.

•  wenn die drahtlose Steuerungsfunktion aktiviert ist (einige Geräte)

## Betriebsbedingungen

Für einen sicheren und effizienten Betrieb verwenden Sie das System bei den folgenden Temperaturen. Wenn die Klimaanlage unter anderen Bedingungen verwendet wird, kann dies zu Funktionsstörungen führen oder die Leistung beeinträchtigen.

	<b>COOL-Modus (Kühlung)</b>	<b>HEAT-Modus (Heizung)</b>	<b>DRY-Modus (Entfeuchtung)</b>
<b>Innentemperatur</b>	wenn die drahtlose Steuerungsfunktion aktiviert ist (einige Geräte)-32°C (62-90°F)	0-30°C (32-86°F)	10-32°C (50-90°F)
<b>Außentemperatur</b>	0-50°C (32-122°F)	-15-24°C (5-75°F)	0-50°C (32-122°F)
	-15-50°C (5-122°F) (low temperature cooling models)		

## Technische Daten

### Standardeinstellung

Wenn die Klimaanlage nach einem Stromausfall neu gestartet wird, gelten die Standardwerkseinstellungen (Automatikbetrieb (AUTO), Automatikbetrieb (AUTO) des Lüfters, 24 °C (76 °F)). Dies kann zu Unstimmigkeiten der Anzeigen auf der Fernbedienung und dem Bedienfeld des Geräts führen. Verwenden Sie die Fernbedienung, um den Status zu aktualisieren.

### Automatischer Neustart

Bei einem Stromausfall wird der Systembetrieb sofort unterbrochen. Wenn die Stromversorgung wiederhergestellt ist, beginnt die Betriebskontrollleuchte am Innengerät zu blinken. Um das Gerät neu zu starten, drücken Sie die Taste ON/OFF auf der Fernbedienung. Wenn das System über eine automatische Neustartfunktion verfügt, startet das Gerät automatisch mit denselben Einstellungen.

### Speicherfunktion des Lamellenwinkels (optional)

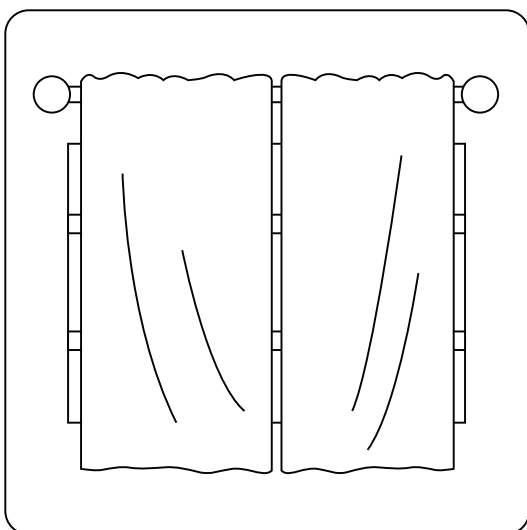
Einige Modelle sind mit einer Lamellenwinkel-Speicherfunktion ausgestattet. Wenn das Gerät nach einem Stromausfall neu startet, wird der Winkel der horizontalen Lamellen automatisch auf den vorherigen Wert zurückgesetzt. Der Winkel der horizontalen Lamellen sollte nicht auf einen extrem niedrigen Wert eingestellt werden, da Wasserdampfkondensation in die Maschine zu tropfen beginnt. Drücken Sie die manuell gesteuerte Modus -Taste, um die Lamellen auf den ursprünglichen Winkel zurückzusetzen. Auf diese Weise werden die Einstellungen der Lamellen auf ihre ursprünglichen Werte zurückgesetzt

### Kältemittelaustritt-Erkennungssystem

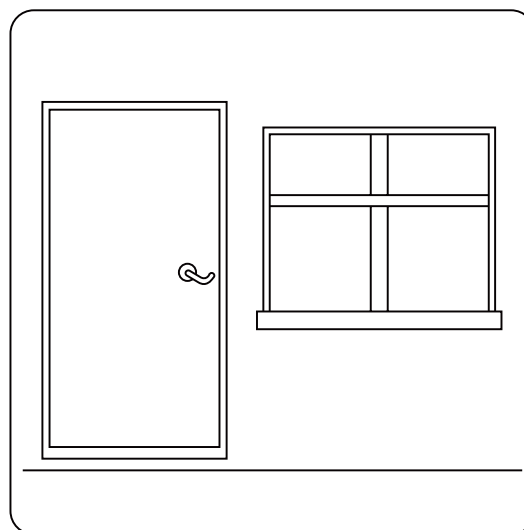
Bei Austritt von Kühlmittel wird "EC" oder "ELoC" auf dem LCD-Bildschirm angezeigt und die Kontrollleuchte LED blinkt

## Tipps zum Energiesparen

- **Stellen** Sie das Gerät NICHT auf zu hohe Temperaturen ein.
- Während des Kühlbetriebs müssen Sie die Vorhänge schließen, um direktes Sonnenlicht zu vermeiden.
- Türen und Fenster müssen geschlossen bleiben, damit kalte oder warme Luft im Raum bleiben kann.
- **Legen** Sie KEINE Gegenstände in die Nähe der Lufteinlass- und Auslassöffnungen des Geräts. Dies reduziert die Leistung des Geräts.
- Stellen Sie einen Timer ein und verwenden Sie möglichst die SLEEP/ECONOMY-Funktion.
- Wenn Sie nicht vorhaben das Gerät längere Zeit zu benutzen, nehmen Sie die Batterien aus der Fernbedienung.
- Sie sollten den Luftfilter alle zwei Wochen reinigen. Wenn der Filter schmutzig wird, wird die Kühl- oder Heizleistung verringert.
- Stellen Sie die Lamellen richtig ein und vermeiden Sie direkten Kontakt mit dem Luftstrom



**Das Schließen der Vorhänge während des Heizens reduziert den Wärmeverlust**



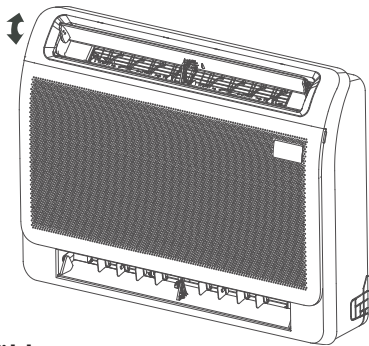
**Türen und Fenster sollten geschlossen bleiben**

# Manuelle Funktionen

# 3

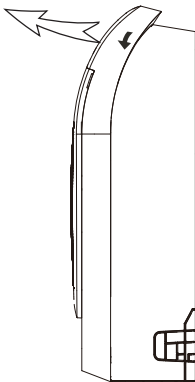
## Anpassen der Luftstromrichtung

- **Manuelle Jalousiebewegung:** Drücken Sie die Tasten Air Direction und , um die Position der Jalousie auf den gewünschten Winkel einzustellen. Drücken Sie die Taste Air Direction, um die Position der Jalousie auf den gewünschten Winkel einzustellen. Die Luftrichtung kann durch manuelles Verstellen der Jalousie geändert werden.



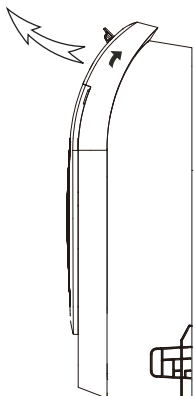
- **Beim Kühlen:**

Stellen Sie die Jalousie nach unten (horizontal).



- **Beim Heizen:**

Stellen Sie die Jalousie senkrecht ein.

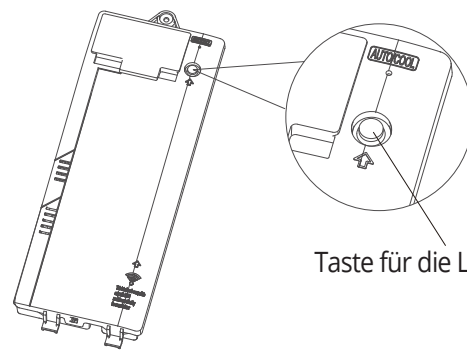


### ! VORSICHT:

Versuchen Sie nicht, die horizontale Jalousie von Hand zu verstellen. Dadurch kann der Mechanismus beschädigt werden und es kann sich Kondenswasser an den Luftauslässen bilden.

- **Einstellung des Schalters für die untere Luftleitlamelle.**

Unter der Voraussetzung, dass die Umgebungstemperatur eingehalten wird, kann die untere Luftklappe beim Einschalten des Gerätes geöffnet werden. Um auszuwählen, ob die untere Lamelle ein- oder ausgeschaltet ist, verwenden Sie die Taste auf dem elektrischen Schaltkasten. Drücken Sie die Taste innerhalb von 10 Minuten nach dem Einschalten des Gerätes 5 Sekunden lang, um den Stand-by-Modus zu aktivieren. Drücken Sie die Taste, um die untere Luftklappe zu öffnen oder zu schließen.



Taste für die Luftleitlamellen

Elektrischer Schaltkasten

**HINWEIS:** Während des Einstellvorgangs zeigt das Anzeigefeld den Schaltzustand der unteren Jalousie an.

ein - offen

aus - geschlossen

# Pflege und Wartung

# 4

## Sicherheitsvorkehrungen

- Wenden Sie sich zur Reparatur oder Wartung an ein lizenziertes Servicecenter. Wenn Reparatur und Wartung nicht ordnungsgemäß durchgeführt werden, kann Wasserauslauf, Stromschlag oder Brand verursacht werden.
- Ersetzen Sie eine durchgebrannte Sicherung NICHT durch eine andere Sicherung mit höherem oder niedrigerem Nennstrom, da dies zu einem Stromkreisbruch oder Brand führen kann.
- Stellen Sie sicher, dass das Ablaufrohr gemäß den Anweisungen installiert ist. Andernfalls kann ein Leck auftreten und Materialschäden, Brand und Stromschlag verursacht werden.
- Stellen Sie sicher, dass alle Kabel ordnungsgemäß angeschlossen sind. Wenn die Kabel nicht gemäß den Anweisungen angeschlossen werden, kann dies zu einem Stromschlag oder Brand führen.

## Wartung des Geräts



### VOR DER REINIGUNG ODER WARTUNG

- Vor der Reinigung oder Wartung sollten Sie die Klimaanlage immer ausschalten und die Stromversorgung trennen.
- **Verwenden** Sie KEINE chemischen oder chemisch behandelten Tücher, um das Gerät zu reinigen.
- **Verwenden** Sie kein Benzin, Verdünner, Polierpulver oder andere Lösungsmittel zur Reinigung des Geräts. Diese können Risse oder Verformungen auf der Kunststoffoberfläche verursachen.
- **Waschen** Sie das Gerät nicht mit fließendem Wasser ab. Es besteht die Gefahr eines elektrischen Schlags.
- **Verwenden** Sie KEIN Wasser mit einer Temperatur von mehr als 40 ° C (104 ° F) zur Reinigung der Frontplatte. Verformung oder Verfärbung kann auftreten.
- Sie müssen das Gerät mit einem feuchten Tuch, das keine Fusseln hinterlässt und ein neutrales Reinigungsmittel reinigen. Sie müssen das Gerät mit einem trockenen Tuch abwischen.

## Luftfilterreinigung

Der Filter verhindert, dass Staub und andere Partikel in das Innengerät gelangen. Staubansammlung verringert die Effizienz der Klimaanlage. Für eine optimale Leistung sollten Sie den Luftfilter alle zwei Wochen oder öfter reinigen, wenn Sie sich an einem Ort aufhalten, an dem zu viel Staub vorhanden ist. Wenn der Filter verstopft ist und nicht gereinigt werden kann, ersetzen Sie ihn durch einen neuen.

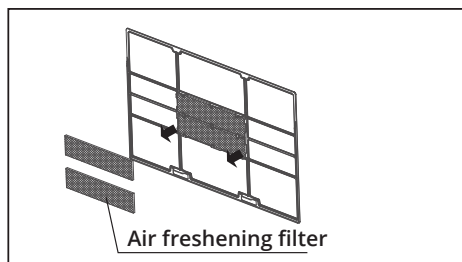
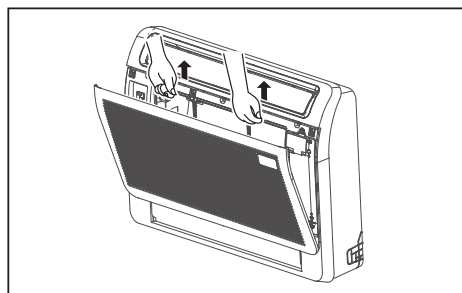
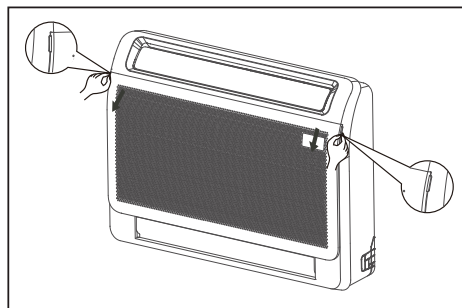


### WARNUNG: ENTFERNEN ODER REINIGEN SIE DEN FILTER NICHT SELBST

Das Entfernen und Reinigen des Filters birgt Gefahren. Das Entfernen und die Wartung müssen von einem zertifizierten Techniker durchgeführt werden.

**HINWEIS:** In Haushalten mit Tieren müssen Sie das Netz regelmäßig von Tierhaaren reinigen die den Luftstrom verhindern.

1. Ziehen Sie an den linken und rechten Griffen der Frontblende, ziehen Sie die Blende nach außen und öffnen Sie die Blende.
2. Nehmen Sie den Luftfilter heraus. Drücken Sie die Krallen auf der rechten und linken Seite des Luftfilters leicht nach unten und ziehen Sie ihn dann nach oben.
3. Halten Sie die Laschen des Rahmens fest, und entfernen Sie die 4 Krallen. (Der Spezialfunktionsfilter kann alle 6 Monate mit Wasser gewaschen werden. Es wird empfohlen, ihn alle 3 Jahre auszutauschen).





4. Entfernen Sie den Luftfilter.
  5. Reinigen Sie den Filter und seine Oberfläche mit einem Staubsauger oder durch Waschen mit warmem Wasser und einem milden Reinigungsmittel.
- A. Wenn Sie einen Staubsauger verwenden, sollte die Einschubseite zum Staubsauger zeigen.

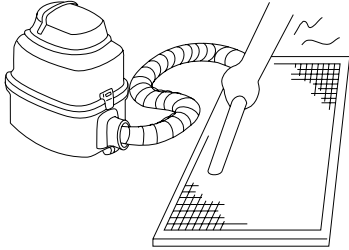


Abb. 4.4

- B. Wenn Sie Wasser verwenden, muss die Einlassseite entgegen der Wasserströmung nach unten zeigen.

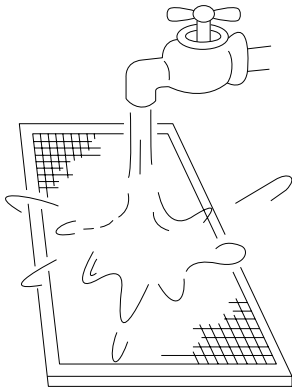


Abb. 4.5

6. Spülen Sie den Filter mit klarem Wasser aus und lassen Sie ihn an der Luft trocknen. Lassen Sie den Filter NICHT in direktem Sonnenlicht trocknen.
7. Setzen Sie den Filter erneut ein.

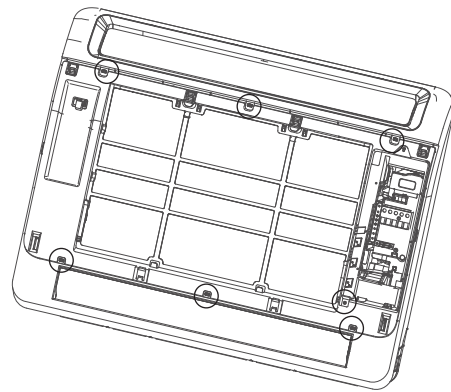
## ! ACHTUNG

- Schalten Sie das Gerät vor dem Filterwechsel oder der Reinigung aus und trennen Sie es von der Stromversorgung.
- Berühren Sie beim Entfernen des Filters keine Metallteile im Gerät. An den scharfen Metallkanten können Sie sich schneiden.
- Verwenden Sie kein Wasser, um das Innegerät zu reinigen. Dies kann die Isolierung zerstören und einen elektrischen Schlag verursachen.
- Setzen Sie den Filter beim Trocknen nicht dem direkten Sonnenlicht aus. Dadurch kann der Filter schrumpfen.

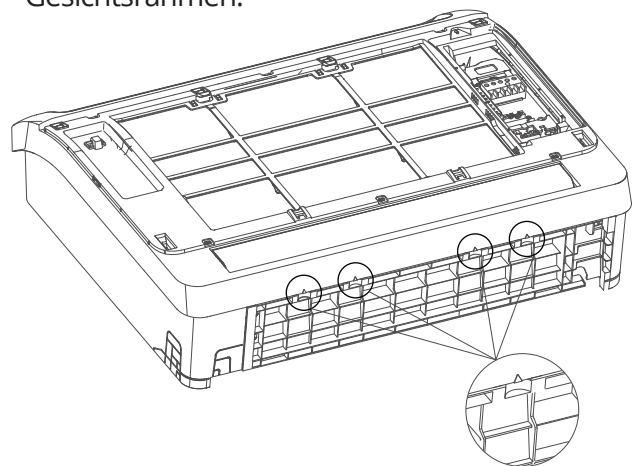
- Any maintenance and cleaning of outdoor unit should be performed by an authorized dealer or a licensed service provider.
- Alle Reparaturen am Gerät sollten von einem autorisierten Händler oder einem zugelassenen Serviceanbieter durchgeführt werden.

## Interne Teile austauschen

1. Ziehen Sie an den linken und rechten Griffen der Frontblende, ziehen Sie die Blende nach außen und öffnen Sie die Blende.
2. Entfernen Sie die 7 Schrauben des Frontrahmens.



3. Schließen Sie den mit dem Pfeil gekennzeichneten Schnappverschluss und entfernen Sie den Gesichtsrahmen.



4. Innere Teile auswechseln.
5. Montieren Sie den Frontrahmen und die Verkleidungsteile.

## Kältemittelaustritt reparieren



### WARNUNG

- Wenn Kühlmittel ausläuft, schalten Sie die Klimaanlage und alle anderen Verbrennungsheizgeräte aus, lüften Sie den Raum und wenden Sie sich sofort an Ihren Händler. Das Kühlmittel ist giftig und brennbar. Verwenden Sie die Klimaanlage NICHT, bis das Leck repariert ist.
- Wenn das Klimagerät in einem kleinen Raum installiert ist, müssen Schritte unternommen werden, um sicherzustellen, dass die Kühlmittelkonzentration die Sicherheitsgrenze im Falle eines Lecks nicht überschreitet. Hohe Kühlmittelkonzentrationen sind ein ernstes Risiko für Gesundheit und Sicherheit.

## Kühlmittelaustritt-Erkennungssystem

Bei Austritt von Kühlmittel wird "EC" oder "ELoC" auf dem LCD-Bildschirm angezeigt und die LED Kontrollleuchte blinkt.

## Vorbereitung für Stillstandzeiten

### Wartung nach längerem Nichtgebrauch

1. Entfernen Sie alle Hindernisse, die die Kanäle der Innen- und Außengeräte verstopfen.
2. Reinigen Sie den Luftfilter und das Frontgitter des Innengeräts. Setzen Sie den sauberen und trockenen Luftfilter wieder in seine ursprüngliche Position ein.
3. Schalten Sie den Hauptnetzschalter mindestens 12 Stunden vor der Inbetriebnahme des Geräts ein.

### Lagerung des Geräts, wenn es nicht verwendet wird

1. Lassen Sie das Gerät an einem warmen Ort 12 Stunden mit der Einstellung FAN (Lüfter) arbeiten, um zu trocknen und Schimmelbildung zu vermeiden.
2. Schalten Sie das Gerät aus und trennen Sie es von der Steckdose.
3. Reinigen Sie den Luftfilter wie im vorherigen Kapitel beschrieben. Setzen Sie den sauberen und trockenen Filter erneut ein, bevor Sie das Gerät speichern.
4. Nehmen Sie die Batterien aus der Fernbedienung heraus.



# Fehlerbehebung

# 5

## VORSICHT

Tritt einer der folgenden Fälle auf, trennen Sie sofort die Stromversorgung und wenden Sie sich an Ihren Händler, um weitere Unterstützung zu erhalten.

- Die Betriebskontrollleuchte blinkt weiterhin schnell, nachdem die Klimaanlage neu gestartet wurde.
- Die Batterien der Fernbedienung funktionieren nicht
- Das Gerät brennt ständig die Sicherungen durch und lässt die Schutzschalter fallen.
- Ein Fremdkörper oder Wasser ist in die Klimaanlage eingedrungen.
- Andere anormale Situationen.

## Häufige Störungen

Die folgenden Symptome weisen nicht auf eine Fehlfunktion hin und in den meisten Fällen sind keine Reparaturen erforderlich.

Störung	Mögliche Ursachen
<b>Das Gerät wird nicht durch Drücken der EIN / AUS-Taste aktiviert</b>	Das Gerät verfügt über eine 3-minütige Schutzfunktion, die eine Überlastung des Geräts verhindert. Das Gerät kann nicht innerhalb von drei Minuten nach der Deaktivierung neu gestartet werden.
	Modelle mit Kühl- und Heizbetrieb: Wenn die Betriebskontrollleuchten und PRE-DEF (Aufwärmen/ Auftauen) eingeschaltet sind, ist die Außentemperatur zu niedrig und der Kaltluftstrom ist aktiviert, um das Gerät abzutauen.
	Bei Modellen mit nur Kühlfunktion: Wenn die Kontrollleuchte "Fan Only"(Nur Lüfter) eingeschaltet ist, ist die Außentemperatur zu niedrig und der Frostschutz ist aktiviert, um das Gerät abzutauen.
<b>Das Gerät wechselt vom COOL-Modus (Kühlung) in den FAN-Modus(Lüfter).</b>	Das Gerät ändert seine Einstellung, um Eisbildung zu verhindern. Sobald die Temperatur ansteigt, geht das Gerät wieder in Betrieb.
	Die eingestellte Temperatur wurde erreicht, sodass der Kompressor deaktiviert wird. Das Gerät arbeitet, wenn sich die Temperatur wieder ändert.
<b>Weißer Nebel kommt aus den Innengerät</b>	In Gegenden mit hoher Luftfeuchtigkeit kann ein großer Temperaturunterschied zwischen der Raumluft und der aus der Klimaanlage austretenden Luft zur Bildung von weißem Nebel führen.
<b>Aus dem Innen- und Außengerät kommt weißer Nebel</b>	Wenn das Gerät nach einem Auftauvorgang im HEAT-Modus startet, kann es aufgrund der durch den Auftauvorgang erzeugten Feuchtigkeit weißen Nebel bilden.
<b>Das Innengerät erzeugt Geräusche</b>	Wenn sich das System im OFF (Ausschalten)- oder im COOL- (Kühlung )Modus befindet, ist ein Knarren zu hören. Das Geräusch ist auch zu hören, wenn die Ablaufpumpe in Betrieb ist (optional).
	Knirschgeräusche können durch die HEAT (Heizung)-Funktion aufgrund der Ausdehnung und Kontraktion der Kunststoffteile des Geräts entstehen.
<b>Die Innen- und Außengeräte erzeugen Geräusche</b>	Während des Betriebs ertönt möglicherweise ein leises Pfeifen. Dies ist normal und wird durch den Fluss von Kühlgas durch die Innen- und Außeneinheit verursacht.
	Es ertönt möglicherweise ein leises Pfeifen, wenn das System gestartet wird, gerade gestoppt wird oder wenn der Abtauvorgang läuft. Dieses Geräusch ist normal und wird durch die Unterbrechung oder Änderung der Strömungsrichtung des Kühlmittels verursacht.
<b>Das Außengerät erzeugt Geräusche</b>	Das Gerät erzeugt abhängig vom aktuellen Betriebsmodus verschiedene Töne.

Störung	Mögliche Ursachen
<b>Staub tritt entweder vom Innengerät oder vom Außengerät aus</b>	Beim Gerät kann sich bei längerer Nichtbenutzung Staub ansammeln. Wenn das Gerät eingeschaltet wird, geht dieser Staub aus. Um dieses Phänomen zu mildern, können Sie das Gerät während längerer Inaktivität abdecken.
<b>Das Gerät gibt einen schlechten Geruch ab</b>	Das Gerät kann Gerüche aus der Umgebung (Möbel, Kochen, Zigaretten usw.) aufnehmen und während des Betriebs abgeben.
	Die Gerätefilter haben Schimmel gesammelt und müssen gereinigt werden.
<b>Der Flügelrad der Außeneinheit funktioniert nicht</b>	Während des Betriebs wird die Flügelradgeschwindigkeit gesteuert, um den Betrieb der Klimaanlage zu optimieren.

## Tipps zur Fehlerbehebung

Wenn Probleme auftreten, sollten Sie Folgendes prüfen, bevor Sie sich an ein Reparaturunternehmen wenden

Störung	Mögliche Ursachen	Lösung
<b>Das Gerät funktioniert nicht</b>	Stromausfall	Warten Sie, bis der Strom zurückkehrt
	Der Netzschalter befindet sich in der Aus-Position	Drehen Sie den Schalter in die Ein-Position
	Die Sicherung ist durchgebrannt	Ersetzen Sie die Sicherung.
	Die Batterien der Fernbedienung sind leer	Ersetzen Sie die Batterien der Fernbedienung.
	Die 3-Minuten-Schutzfunktion des Geräts ist aktiviert	Warten Sie drei Minuten, bis Sie das Gerät neu starten
<b>Ungenügende Kühlleistung</b>	Die Temperatureinstellung kann höher als die Raumtemperatur sein	Reduzieren Sie die Temperatureinstellung
	Im Wärmetauscher der Innen- oder Außeneinheit hat sich Staub angesammelt	Reinigen Sie den verschmutzten Wärmetauscher
	Im Luftfilter hat sich Staub angesammelt	Entfernen Sie den Filter und reinigen Sie ihn wie angegeben
	Die Einlass- oder Auslassöffnung in der Innen- oder Außeneinheit ist verstopft	Schalten Sie das Gerät aus, entfernen Sie das Hindernis und schalten Sie es wieder ein
	Die Fenster und Türen sind offen	Stellen Sie sicher, dass alle Türen und Fenster geschlossen sind, während die Klimaanlage in Betrieb ist
	Übermäßige Wärme entsteht durch Sonnenlicht	Schließen Sie Fenster und Vorhänge bei starker Hitze oder starker Sonneneinstrahlung
	Reduzierte Kühlmittelmenge aufgrund von Leckagen oder langfristiger Verwendung	Prüfen Sie auf Lecks, dichten Sie das System bei Bedarf erneut ab und füllen Sie das Kühlmittel auf
<b>Das Gerät startet und stoppt häufig</b>	Das System enthält zu viel oder zu wenig Kühlmittel	Prüfen Sie auf Lecks und füllen Sie das System mit Kühlmittel auf
	Im Kühlkreislauf befindet sich Luft, nicht komprimiertes Gas oder Fremdkörper	Entleeren Sie und füllen Sie das System mit Kühlmittel auf
	Ein Teil des Systems wurde blockiert	Suchen Sie den blockierten Stromkreis und ersetzen Sie das nicht funktionierende Teil
	Kompressorfehler	Ersetzen Sie den Kompressor
	Die Spannung ist zu hoch oder zu niedrig	Installieren Sie einen Druckregler, um die Spannung zu kontrollieren
<b>Ungenügende Heizleistung</b>	Die Außentemperatur ist extrem niedrig	Prüfen Sie auf Lecks und füllen Sie das System mit Kühlmittel auf
	Kalte Luft dringt durch die Türen und Fenster ein	Stellen Sie sicher, dass alle Türen und Fenster geschlossen sind, während die Klimaanlage in Betrieb ist
	Reduzierte Kühlmittelmenge aufgrund von Leckagen oder langfristiger Verwendung	Prüfen Sie auf Lecks, dichten Sie das System bei Bedarf erneut ab und füllen Sie das Kühlmittel auf

Störung	Mögliche Ursachen
<b>Anzeigelampen blinken weiter</b>	<p>Das Gerät kann den Betrieb einstellen oder sicher weiterlaufen. Wenn die Anzeigelampen weiterhin blinken oder Fehlercodes angezeigt werden, warten Sie etwa 10 Minuten lang. Möglicherweise behebt sich das Problem von selbst. Ist dies nicht der Fall, trennen Sie das Gerät von der Stromversorgung und schließen Sie es dann wieder an. Schalten Sie das Gerät ein. Wenn das Problem weiterhin besteht, trennen Sie das Gerät von der Stromversorgung und wenden Sie sich an das nächstgelegene Kundendienstcenter.</p>
<b>Der Fehlercode erscheint im Fenster des Innengeräts und beginnt mit den folgenden Buchstaben:</b> <b>E(x), P(x), F(x)</b> <b>EH(xx), EL(xx), EC(xx)</b> <b>PH(xx), PL(xx), PC(xx)</b>	

**HINWEIS:** Wenn das Problem nach Durchführung der oben genannten Überprüfungen und Diagnosen weiterhin besteht, schalten Sie das Gerät sofort aus und wenden Sie sich an ein autorisiertes Service-Center.

## Europäische Anweisungen für die Entsorgung

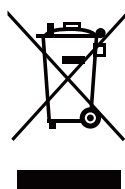
6

Für Benutzer innerhalb der Europäischen Union muss das Gerät in geeigneter Weise entsorgt werden. Dieses Gerät enthält Kühlmittel und andere potenziell gefährliche Materialien. Um dieses Gerät zu entsorgen, sind nach dem Gesetz spezielle Einsammelungs- und Verarbeitungsmethoden erforderlich. **Entsorgen** Sie dieses Produkt NICHT als Hausmüll oder als Siedlungsabfall, der keinem Trennungsverfahren unterzogen wurde.

Um dieses Gerät entsorgen, haben Sie folgende Möglichkeiten:

- Sie können das Gerät in einer dafür vorgesehenen städtischen Sammelstelle für nutzlose elektronische Geräte entsorgen.
- Wenn Sie ein neues Gerät kaufen, kann der Einzelhändler das alte Gerät kostenlos entgegennehmen.
- Der Hersteller kann das alte Gerät auch kostenlos entgegennehmen.
- Sie können das Gerät an zertifizierte Metallhändler verkaufen.

**HINWEIS:** Die Entsorgung dieses Geräts im Wald oder in einer anderen natürlichen Umgebung kann zu Gesundheitsschäden führen und die Umwelt schädigen. Gefahrstoffe können in das Grundwasser eindringen und in die Nahrungskette gelangen.



Die Abbildungen in diesem Handbuch dienen lediglich zur Erläuterung der Funktionen. Die tatsächliche Form der Einheit, die Sie gekauft haben, kann etwas abweichen, aber die Bedienung und Funktionen sind gleich.

Das Unternehmen übernimmt keinerlei Haftung für eventuell in diesem Dokument enthaltene falsch gedruckte Informationen. Der Inhalt dieses Handbuchs und die technischen Daten dieses Produkts können für Verbesserungsgründe ohne Vorankündigung geändert werden.

Bitte wenden Sie sich an den Hersteller unter +30 211 300 3300 oder an die Verkaufsbüro, um weitere Informationen zu erhalten. Alle zukünftigen Aktualisierungen des Handbuchs werden auf die Service-Website hochgeladen. Es wird empfohlen, immer nach der neuesten Version zu suchen.



Scannen Sie bitte hier, um die neueste Version dieses Handbuchs herunterladen zu können.  
[www.inventorairconditioner.com/media-library](http://www.inventorairconditioner.com/media-library)









# AIR CONDITIONING SYSTEMS

## CONSOLE TYPE



V:2.0.202206

Please check the applicable models,  
F-GAS and manufacturer information from the "Owner's Manual - Product Fiche" in the packaging of the outdoor  
unit. (European Union products only).

Manufacturer: **INVENTOR A.G. S.A.**

24th km National Road Athens - Lamia & 2 Thoukididou Str., Ag.Stefanos, 14565

Tel.: +30 211 300 3300, Fax: +30 211 300 3333 - [www.inventor.ac](http://www.inventor.ac)

