



# WALL MOUNTED AIR CONDITIONER INSTALLATION MANUAL



**GB** INSTALLATION MANUAL  
ENGLISH

**BS** PRIRUČNIK ZA INSTALACIJU  
BOSANSKI

**EL** ΕΓΧΕΙΡΙΔΙΟ ΕΓΚΑΤΑΣΤΑΣΗΣ  
ΕΛΛΗΝΙΚΑ

**HU** SZERELÉSI ÚTMUTATÓ  
MAGYAR

**RO** MANUAL DE INSTALARE  
ROMÂNĂ

**SL** NAVODILA ZA NAMESTITEV  
SLOVENŠČINA

**SR** UPUTSTVO ZA UGRADNJU  
SRPSKI

**BG** РЪКОВОДСТВО ЗА МОНТАЖ  
БЪЛГАРСКИ

**CZ** NÁVOD K INSTALACI  
ČEŠTINA

**HR** PRIRUČNIK ZA UGRADNJU  
HRVATSKI

**MK** УПАТСТВО ЗА МОНТИРАЊЕ  
МАКЕДОНСКИ

**SK** NÁVOD NA INŠTALÁCIU  
SLOVENČINA

**SQ** MANUALI I INSTALIMIT  
SHQIP

**DE** INSTALLATIONSHANDBUCH  
DEUTSCH

Carrier is committed for continuous improvement of Carrier products according to national and international standards to ensure the highest quality and reliability standards, and to meet market regulations and requirements. All specifications subject to change without prior notice according to Carrier policy of continuous development

**AHI CARRIER S.E. EUROPE AIRCONDITIONING S.A.**

18, KIFISOU AVENUE 10442 ATHENS, GREECE

TEL: +30-210-6796300.



**IMPORTANT NOTE:**

Read this manual carefully before installing or operating your new air conditioning unit. Make sure to save this manual for future reference.

Please check the applicable models, F-GAS and manufacturer information from the "Owner's Manual - Product Fiche" in the packaging of the outdoor unit. (European Union products only)

This product has been determined to be in compliance with the Low Voltage Directive (2014/35/EU), and the Electromagnetic Compatibility Directive (2014/30/EU) of the European Union.



## Correct Disposal of This Product (Waste Electrical & Electronic Equipment)

(When using air conditioner in European, the following guidance must be followed)  
 - This marking shown on the product or its literature, indicates that waste electrical and electronic equipment (WEEE as in directive 2012/19/EC) should not be mixed with general household waste. It is prohibited to dispose of this appliance in domestic household waste. For disposal, there are several possibilities:

1. The municipality has established collection systems, where electronic waste can be disposed of at least free of charge to the user.
2. When buying a new product, retailer will take back the old product at least free of charge.
3. The manufacturer will take back the old appliance for disposal at least free of charge to the user.
4. As old products contain valuable resources, they can be sold to scrap metal dealers.

Wild disposal of waste in forests and landscapes endangers your health when hazardous substances leak into the ground-water and find their way into the food chain.

### This product contains fluorinated gases covered by the Kyoto Protocol

Chemical Name of Gas	R32
Global Warming Potential (GWP) of Gas	675

#### ⚠ CAUTION

1. Paste the enclosed refrigerant label adjacent to the charging and/or recovering location.
2. Clearly write the charged refrigerant quantity on the refrigerant label using indelible ink.
3. Prevent emission of the contained fluorinated gas. Ensure that the fluorinated gas is never vented to the atmosphere during installation, service or disposal. When any leakage of the contained fluorinated gas is detected, the leak shall be stopped and repaired as soon as possible.
4. Only qualified service personnel are allowed to access and service this product.
5. Any handling of the fluorinated gas in this product, such as when moving the product or recharging the gas, shall comply under (EC) Regulation No. 517/2014 on certain fluorinated greenhouse gases and any relevant local legislation.
6. If the system has a leak-detection system installed, it must be checked for leaks at least every 12 months
7. When the unit is checked for leaks, proper record-keeping of all checks is strongly recommended.

Indoor Unit	Outdoor Unit	Rated Voltage & Hz
42QHP09E8S-1	38QHP09E8S-1	220-240V~, 50Hz
42QHP12E8S-1	38QHP12E8S-1	

The manufacturer reserves the right to change any product specifications without notice.

## CONTENTS

<b>1. PREPARING FOR INSTALLATION</b>	<b>3</b>
1.1 Safety Precautions	3
1.2 Accessories	5
1.3 Installation Site Choosing	6
<b>2. INDOOR UNIT INSTALLATION</b>	<b>7</b>
2.1 Indoor Unit Mounting Plate	7
2.2 Installation Process	8
<b>3. OUTDOOR UNIT INSTALLATION</b>	<b>9</b>
3.1 Outdoor Unit Mounting Dimension	9
3.2 Space Requirement For Outdoor Unit	9
3.3 Outdoor Wire Connection	10
3.4 Install The Outdoor Unit	10
3.5 Install The Drain Pipe For Outdoor Unit	10
<b>4. REFRIGERANT PIPING WORK</b>	<b>11</b>
4.1 Flaring	11
4.2 Piping Work	11
4.3 Refrigerant Pipe	12
4.4 Air Evacuation	12
4.5 Leakage Test	12
<b>5. WIRING</b>	<b>13</b>
<b>6. FINAL CHECK AND TRAIL OPERATION</b>	<b>14</b>
6.1 Final Check List	14
6.2 Manual Operation	14
6.3 Trail Operation	14
<b>7. INFORMATION SERVICING</b>	<b>15</b>



Caution: Risk of fire  
for R32/R290 refrigerant only

# 1. PREPARING FOR INSTALLATION



## 1.1 SAFETY PRECAUTIONS

- Installing, starting up, and servicing air-conditioning equipment can be hazardous due to system pressures, electrical components, and equipment location (roofs, elevated structures, etc.).
- Only trained, qualified installers and service mechanics should install, start-up, and serve this equipment.
- When working on the equipment, observe precautions in the literature and on tags, stickers, and labels attached to the equipment.
- Follow all safety codes. Wear safety glasses and work gloves. Keep quenching cloth and fire extinguisher nearby when brazing. Use care in handling, rigging, and setting bulky equipment.
- Read these instructions thoroughly and follow all warnings or cautions included in literature and attached to the unit. Consult local building codes and National Electrical Code for special requirements.

### WARNING

This symbol indicates the possibility of personnel injury or loss of life.

- **Refrigerant gas is heavier than air and replaces oxygen. A massive leak could lead to oxygen depletion, especially in basements, and an asphyxiation hazard could occur leading to serious injury or death.**
- **When the air conditioner is installed in a small room, provide appropriate measures to ensure that the concentration of refrigerant leakage in the room does not exceed the critical level.**
- **If the refrigerant gas leaks during installation, ventilate the area immediately.**  
Refrigerant gas may produce a toxic gas if it comes in contact with fire such as from a fan heater, stove or cooking device. Exposure to this gas could cause severe injury or death.
- **Disconnect from power source before attempting any electrical work. Connect the connective cable correctly.**  
Wrongly connecting may result in electric parts damaged.
- **Use the specified cables for electrical connections and attach the wires firmly to the terminal block connecting sections so that the external force is not exerted to the terminal.**
- **Be sure to provide grounding.**  
Do not ground units to gas pipes, water pipes, lightning rods or telephone wires. Incomplete grounding could cause a severe shock hazard resulting in injury or death.
- **Safely dispose of the packing materials.**  
Packing materials, such as nails and other metal or wooden parts, may cause stabs or other injuries. Tear apart and throw away plastic packaging bags so that children will not play with them. Children playing with plastic bags face the danger of suffocation.
- **Do not install unit near concentrations of combustible gas or gas vapors.**
- **Be sure to use the supplied or exact specified installation parts.**  
Use of other parts may cause the unit to come to lose, water leakage, electrical shock, fire or equipment damage.
- **When installing or relocating the system, do not allow air or any substances other than the specified refrigerant (R32) to enter the refrigeration cycle.**
- **Never modify this unit by removing any of the safety guards or bypassing any of the safety interlock switches.**
- **Electrical work should be carried out in accordance with the installation manual and the national, state and local electrical wiring codes.**

# 1. PREPARING FOR INSTALLATION

### WARNING

- **Be sure to use a dedicated power circuit. Never share the same power outlet with other appliance.**
- **In order to avoid a hazard due to inadvertent resetting of the thermal cut-out, this appliance must not be supplied through an external switching device, such as a timer, or connected to a circuit that is regularly switched on and off by the utility.**
- **Use the prescribed cables for electrical connection with insulation protected by insulation sleeving having an appropriate temperature rating.**  
Unconformable cables can cause electric leak, anomalous heat production or fire.
- **Do not use means to accelerate the defrosting process or to clean, other than those recommended by the manufacturer.**
- **The appliance shall be stored in a room without continuously operating ignition sources (for example: open flames, and operating gas appliance or an operating electric heater)**
- **Do not pierce or burn.**
- **Be aware that refrigerants may not contain an odour.**
- **Appliance shall be stored in a well-ventilated area where the room size corresponds to the room area as specified for operation.**
- **For R32 refrigerant models:**  
Appliance shall be installed, operated and stored in a room with a floor area larger than 4m<sup>2</sup>.  
Appliance shall not be installed in an unventilated space, if that space is smaller than 4m<sup>2</sup>.
- **For R290 refrigerant models, the minimum room size needed:**  
<=9000Btu/h units: 13m<sup>2</sup>  
>9000Btu/h and <=12000Btu/h units: 17m<sup>2</sup>  
>12000Btu/h and <=18000Btu/h units: 26m<sup>2</sup>  
>18000Btu/h and <=24000Btu/h units: 35m<sup>2</sup>

### CAUTION

This symbol indicates the possibility of property damage or serious consequences.

- **To avoid personal injury, be careful when handling parts with sharp edges.**
- **Do not install the indoor or outdoor units in a location with special environmental conditions.**
- **Do not install in a place that can amplify the noise level of the unit or where noise and discharged air might disturb neighbors.**
- **Perform the drainage/piping work securely according to the installation manual.**  
Improper drain piping may result in water leakage and property damage.
- **Do not install the air conditioner in the following places.**
  - The place where there is mineral oil or arsenic acid.
  - The place where corrosive gas (such as sulfuric acid gas) or combustible gas (such as thinner) can accumulate or collect, or where volatile combustible substances are handled.
  - The place where there is equipment that generates electromagnetic fields or high frequency harmonics.
- **The appliance shall be stored so as to prevent mechanical damage from occurring.**
- **Any person who is involved with working on or breaking into a refrigerant circuit should hold a current valid certificate from an industry-accredited assessment authority, which authorizes their competence to handle refrigerants safely in accordance with an industry recognized assessment specification.**

# 1. PREPARING FOR INSTALLATION

# 1. PREPARING FOR INSTALLATION



## 1.2 ACCESSORIES

The following accessories are supplied with the unit. The type and quantity may differ depending on the specifications.

Name of Accessories	Q'ty(pc)	Shape	Name of Accessories	Q'ty(pc)	Shape
Manual	3		Remote controller	1	
Drain outlet	1		Battery	2	
Gasket	1		Remote controller holder	1	
Installation plate	1		Screw B	2	
Anchor	5		Small Filter	1	
Screw A	5		Magnetic ring (Some units)	N*	

\* means that according to the actual quantity.

## 1.3 INSTALLATION SITE CHOOSING

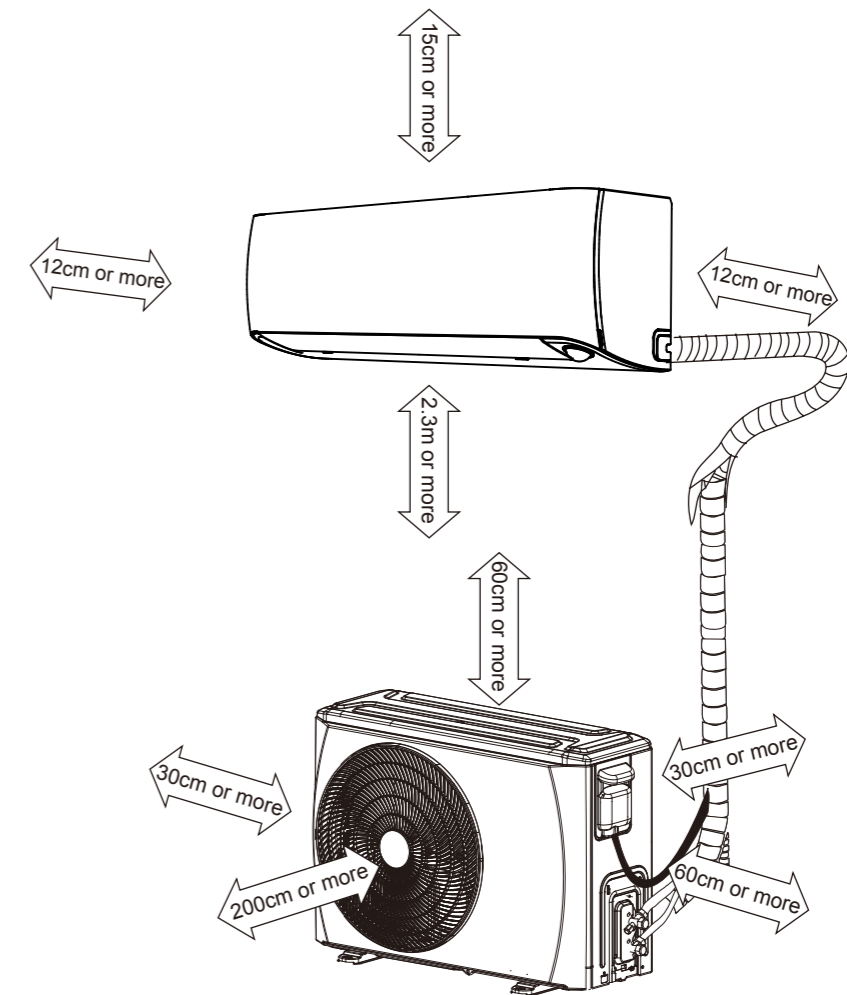
### Indoor Unit

- A location which can bear the weight of indoor unit.
- Do not install indoor units near a direct source of heat such as direct sunlight or a heating appliance.
- A location which provides appropriate clearances as below figure.
- Moving parts of appliance must be installed/located at the level not less than 2.3m from the floor.

### Outdoor Unit

- A location which is convenient to installation and not exposed to strong wind. If unit is exposed to strong winds it is recommended that a wind baffle be used.
- A location which can bear the weight of outdoor unit and where the outdoor unit can be mounted in a level position.
- A location which provides appropriate clearances as below figure.

Do not install the indoor or outdoor units in a location with special environmental conditions.  
Confirm that there is enough room for installation and maintenance.



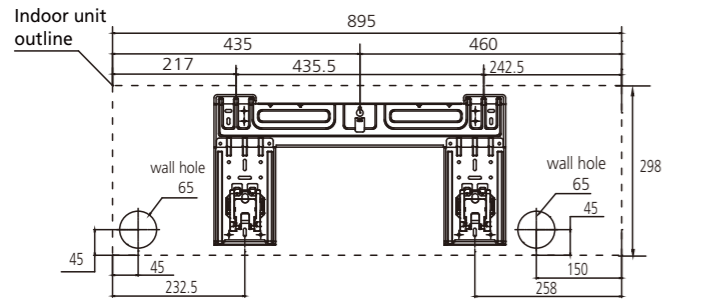
Note: Ensure the spaces indicated by arrows from the wall, ceiling, fence or other obstacles.

Piping is possible in the rear, left, left rear and right direction.

Plug the unused drain hole with the rubber plug provided.

Cut the knock-out panel according to the piping size.  
— knock-out panel

## 2.1 INDOOR UNIT MOUNTIN PLATE

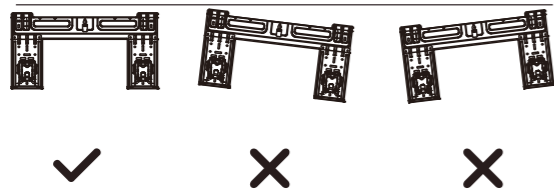


Unit: mm

Note: When the gas side connective pipe is  $\Phi 16\text{mm}$ (5/8in) or more, the pipe hole should be 90mm(3.54in).

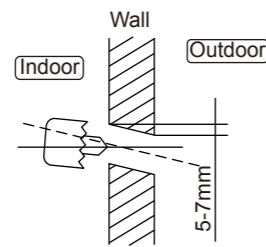
### ■ Install The Mounting Plate

Fix the mounting plate horizontally and level on the wall with five or more A-type screws.



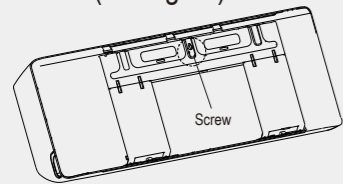
### ■ Drill Hole In The Wall

Drill a 65mm or 90mm (depending on models) hole on the wall which is slightly tilted towards the outside.



### Note:

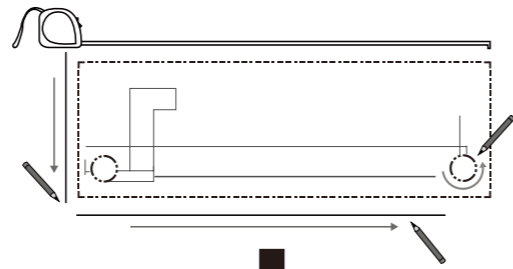
■ The installation plate is fixed with a screw for the convenience of shipment, please remove the screw first before installation. (see figure)



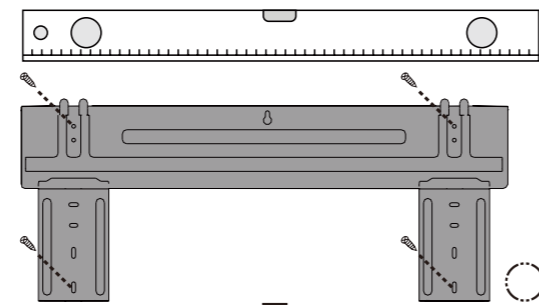
■ The mounting plate will look like one of the figure depending on the unit size. The holes for fixing anchors should be 5mm.

## 2.2 INSTALLATION PROCESS

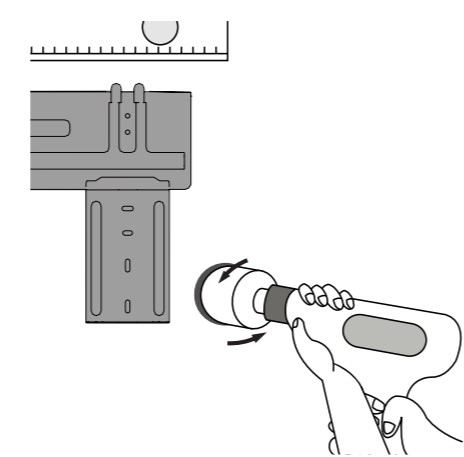
### Step 1: Determine Wall Hole Position



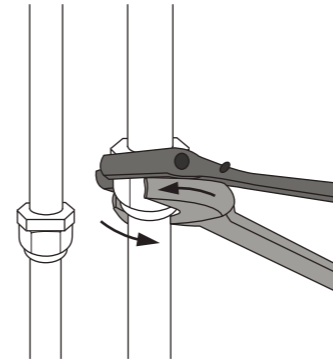
### Step 2: Attach Mounting Plate



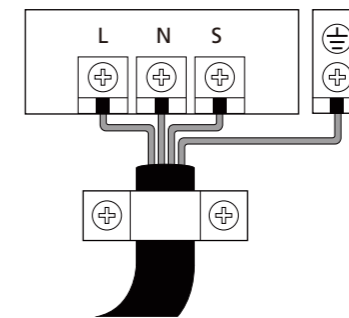
### Step 3: Drill Wall Hole



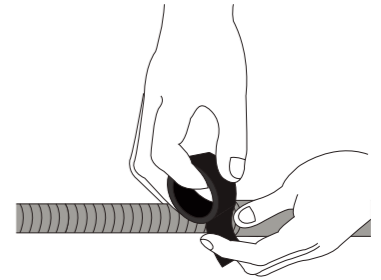
### Step 4: Connect Pipe



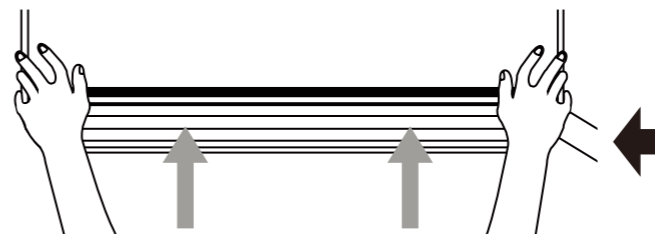
### Step 5: Connect Wire



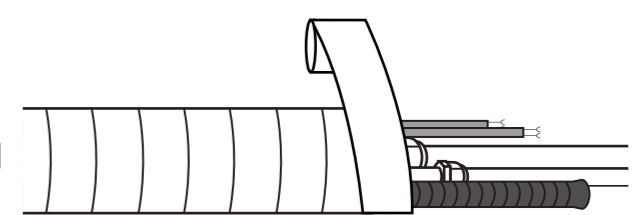
### Step 6: Prepare Drain Hose



### Step 8: Hang the Indoor Unit

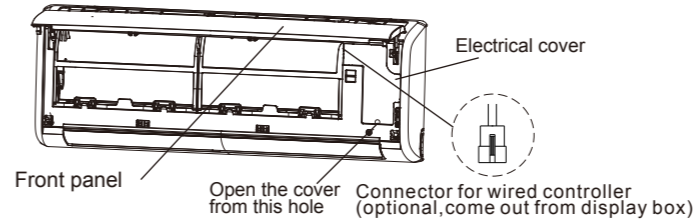


### Step 7: Wrap Pipe and Cable



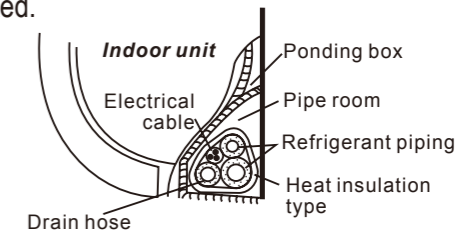
### ■ Indoor Wire Connection

1. Lift the indoor unit front panel.
2. Open the indoor unit electrical cover with a screwdriver through the hole, remove the terminal block cover by hand and remove the cable clamp by loosening the screws
3. Pass the connecting wires from the back of indoor unit and connect to the indoor terminal block.



### ■ Wrap The Pipe

For proper orientation of the refrigerant piping, electrical cable and drain lines, refer to below Fig:  
 - Place the drain hose below the refrigerant piping.  
 - Make sure that the drain hose is not heaved or snaked.

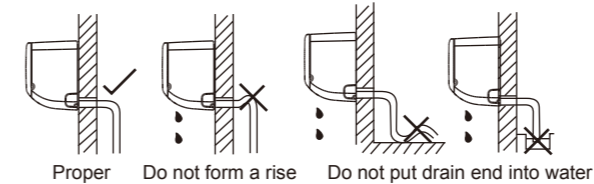


### ■ Hang The Indoor Unit

1. Run refrigerant lines through hole in the wall.
2. Hang indoor unit on upper hook of mounting plate, then push lower part of indoor unit up on wall to lower hook.
3. Move indoor unit from side to side, up and down to check if it is hooked securely.

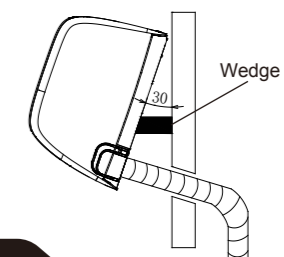
### ■ Drainage

The drain line must not have a trap anywhere in its length, must pitch downwards, and must be insulated up to the outside wall.



### ⚠ CAUTION

■ The connector parts of connective pipe must be placed outside of room.

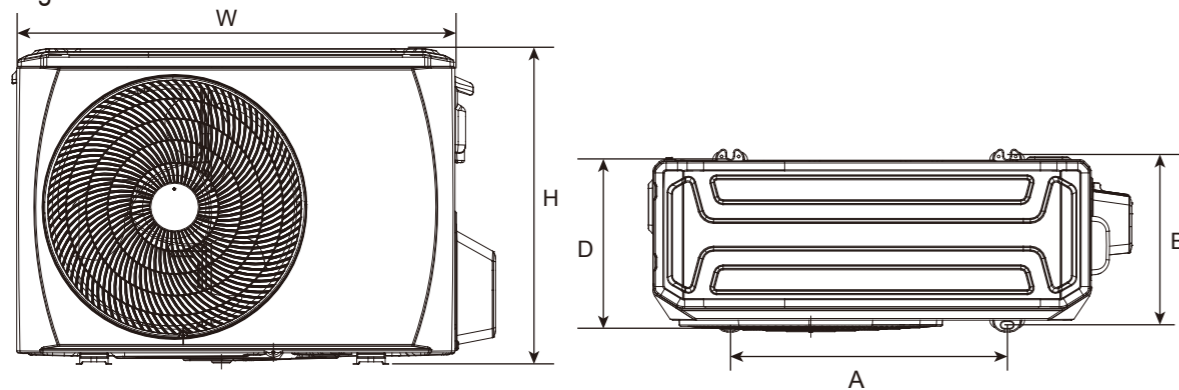


### 3. OUTDOOR UNIT INSTALLATION



#### 3.1 OUTDOOR UNIT MOUNTING DIMENSION

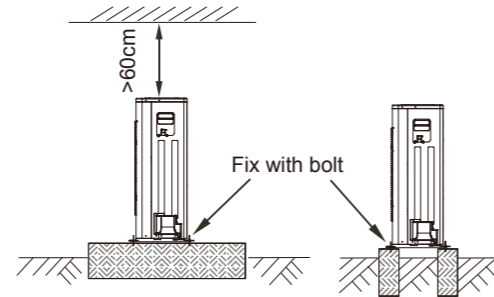
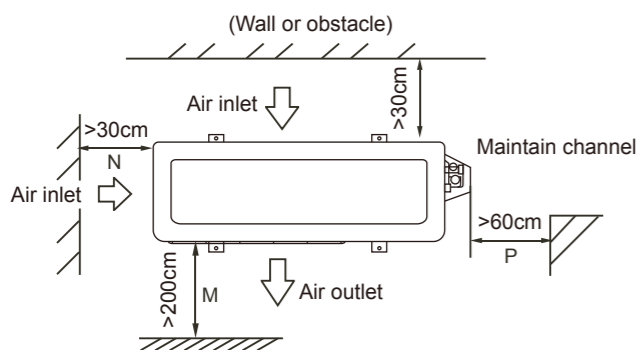
The mounting dimensions vary among different outdoor units.  
The fixing bolt head diameter should be more than 12mm.



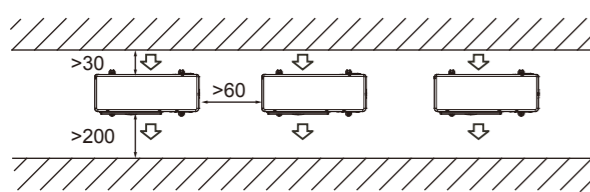
Outdoor Unit Dimension (mm)			Mounting Dimension (mm)		
Outdoor Unit	W	H	D	A	B
38QHP09E8S-1 38QHP12E8S-1	805	554	330	511	317

#### 3.2 SPACE REQUIREMENT FOR OUTDOOR UNIT

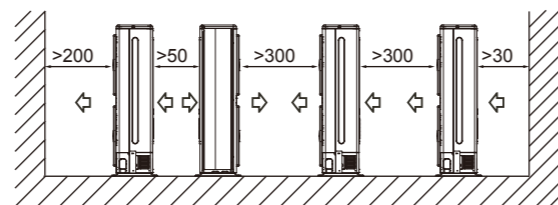
##### Single Unit Installation



##### Parallel connect the two units or above



##### Parallel connect the front with rear sides.



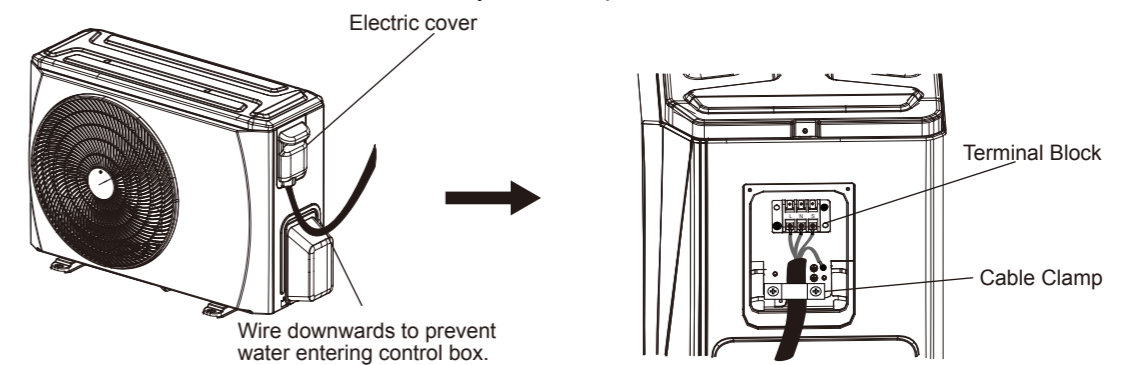
#### CAUTION

In regions with snowfall and cold temperatures, avoid installing the outdoor unit in areas where it can be covered by snow. If heavy snow is expected, a field supplied ice or snow stand and/or field supplied-installed wind baffle should be installed to protect the unit from snow accumulation and/or blocked air intake.

### 3. OUTDOOR UNIT INSTALLATION

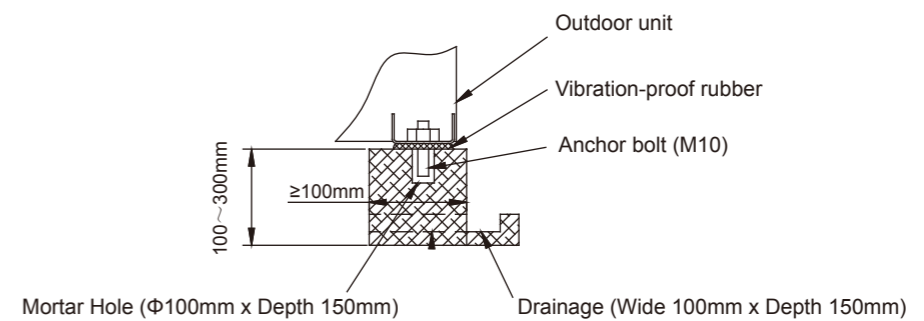
#### 3.3 OUTDOOR WIRE CONNECTION

- Remove the electrical cover and cable clamp by loosening the screws.
- Connect wires to the outdoor terminal block by same sequence to indoor unit.



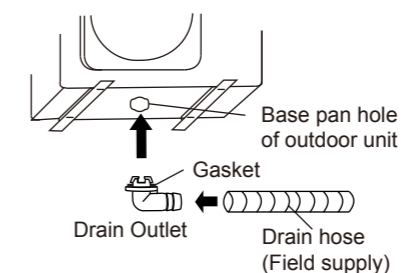
#### 3.4 INSTALL THE OUTDOOR UNIT

- Before installation, check strength and horizontality of the base so that abnormal sound does not generate.
- Fix the base firmly with anchor bolts (M10) to prevent it from collapsing.
- Install the foundation and vibration-proof rubbers to directly support the bottom surface of the fixing leg that is in contact with the bottom plate of the outdoor unit.



#### 3.5 INSTALL THE DRAIN PIPE FOR OUTDOOR UNIT

- Connect the drain outlet with an extension drain hose
- Fit the gasket onto drain outlet.
- Insert the drain outlet into the base pan hole of outdoor unit, and rotate 90 degree to securely assemble them.



# 4. REFRIGERANT PIPING WORK



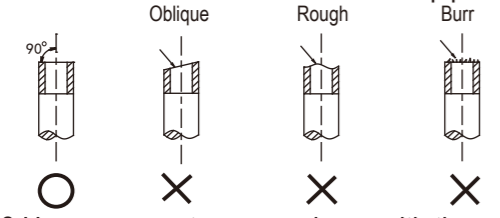
## CAUTION

- Check if the height difference between indoor unit & outdoor unit and the total length of refrigerant pipe meet system requirement.
- Refrigerant piping work follows the indoor unit and outdoor unit installation, connect the pipe at the indoor side first, then the outdoor side.
- Always keep ends of tubing sealed by placing a cap or covering with tape during installation and do NOT remove them until you are ready to connect the piping.
- Be sure to insulate any field piping all the way to the piping connection inside the unit. Any exposed piping may cause condensation or burns if touched.
- When the outdoor unit is the top position and the difference of level is over 10m, it is recommended that set a oil return bend every 5~8m in the gas pipe. The radius of oil return bend should be over than 10cm.

## 4.1 FLARING

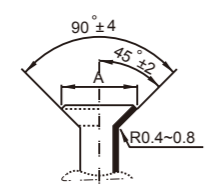
- NOTE**
- Tools required for flaring are pipe cutter, reamer, flaring tool and pipe holder.
  - For R32 refrigerant models, the pipe connection points must be placed outside of room.

4.1.1 Using a pipe cutter to cut the pipe to the requested length. Ensure that the cut edge remains at 90° with the side of the pipe.

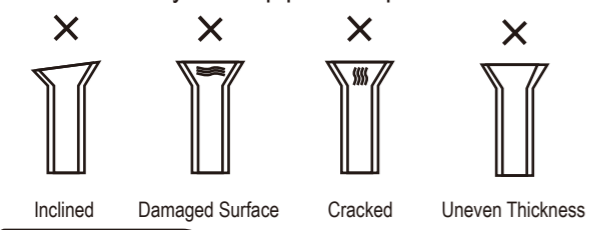


4.1.2 Use a reamer to remove burrs with the cut surface downward so that the chips do not enter the pipe.  
 4.1.3 Carry out flaring work using flaring tools as below.

Outside diameter	A(mm)	
	Max	Min
Φ6.35mm	8.7	8.3
Φ9.52mm	12.4	12.0
Φ12.7mm	15.8	15.4
Φ15.88mm	19.0	18.6
Φ19.05mm	23.3	22.9



4.1.4 Check if the flaring is properly made. See incorrectly flared pipes sample below.

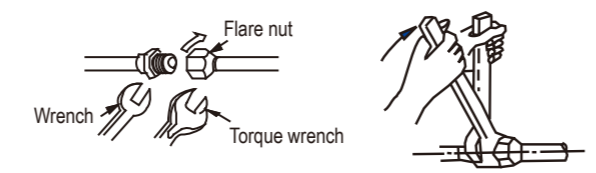


## CAUTION

- In case of needing brazing, work with Nitrogen gas blowing.
- Improper torque will cause flare damage or gas leaks.

## 4.2 PIPING WORK

4.2.1 Align the center to tighten the flare nut and finish connection using two wrenches.



Tubing size	Torque
Φ6.35mm	18 ~ 20 N.m
Φ9.52mm	25 ~ 26 N.m
Φ12.7mm	35 ~ 36 N.m
Φ15.88mm	45 ~ 47 N.m
Φ19.05mm	65 ~ 67 N.m

4.2.2 Select the appropriate insulation material for refrigerant pipe. (Min. 10mm, thermal insulating foam C)

- Use separate thermal insulation pipes for gas & liquid pipes.
- The thickness above is a standard of the indoor temperature of 27°C and humidity of 80%. If installing in an unfavorable conditions such as near bathrooms, kitchens, and other similar locations, reinforce the insulation.
- Insulation's heat-resistance temperature should be more than 120°C.
- Use the adhesives on the connection part of insulation to prevent moisture from entering.
- Repair and cover any possible cracks in the insulation, specially check the bent part or hanger of pipe.

# 4. REFRIGERANT PIPING WORK

## 4.3 REFRIGERANT PIPE

Note: The refrigerant should be charged from the service port on the outdoor unit's low pressure valve.

	Minimum length to reduce abnormal vibration & noise	Chargeless length	Additional charge per meter	
			Liquid side: Φ6.35mm	Liquid side: Φ9.52mm
R32*	3m	5m	12g	24g

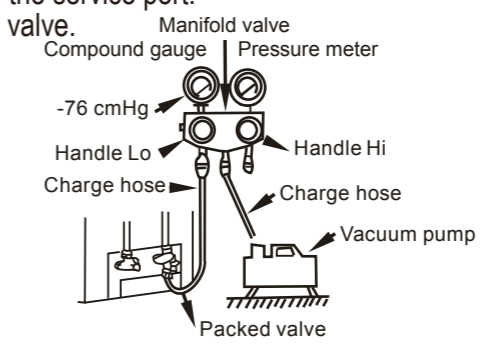
- \* Please use tools for R32 system.
- NOTE**
- Extended pipe length will affect the capacity and energy efficiency of the unit.
  - The nominal efficiency is tested based on the pipe length of 5 meter.
  - When the pipe length is over 5m, the additional refrigerant should be added according to the pipe length.
  - The max. pipe length is recommended as below.

Models	R32 Inverter	
	Max. pipe length(m)	Max. height difference(m)
9K/12K	25	10

\* Please use tools for R32 system.

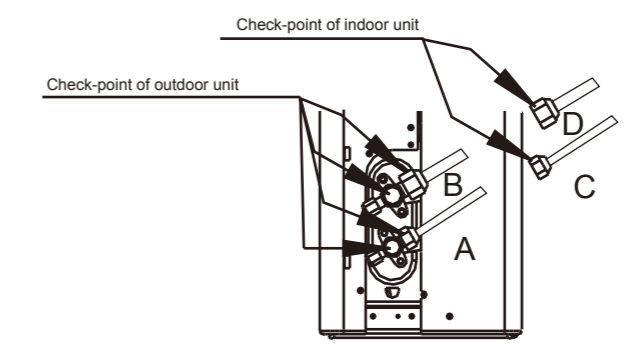
## 4.4 AIR EVACUATION

- Connect the charge hose from the manifold gauge to the service port of the gas side packed valve.
- Connect the charge hose to the port of the vacuum pump.
- Fully open the handle Lo of manifold gauge.
- Operate the vacuum pump to evacuate air from the system until -76cmHg.
- Close the handle Lo of manifold gauge.
- Fully open the valve stem of the packed valves.
- Remove the charging hose from the service port.
- Securely tighten caps of packed valve.



## 4.5 LEAKAGE TEST

After the piping work is finished, make sure to check the connection part of each refrigerant pipe and confirm that there is no gas leak by applying soapy water to them or by using a leak detector specific for HFC refrigerants. Refer below picture for illustration.



A: Low pressure stop valve  
 B: High pressure stop valve  
 C & D: Indoor unit flare nuts

## CAUTION

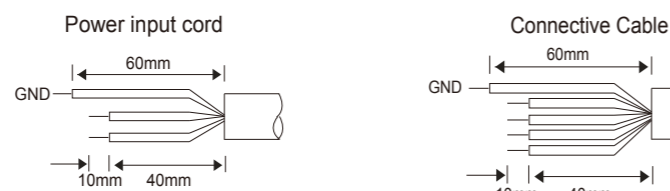
- All the electrical connections must be carried out by qualified installers and all the wirings must be connected according to the wiring diagram.
- Make ground connection prior to any other electrical connections.
- All power sources must be turned off before wiring work and do not turn on the power until you have made sure all the wirings have been safety checked.
- A main switch and circuit breaker or fuse must be installed, the capacity should be above 1.5 times of maximum current in circuit.
- An individual branch circuit and single socket used only for this appliance must be available.
- Wire cross section is depending on the rated current and national, state and local electrical wiring code. Consult local building codes and National electrical code for special requirement.
- If the supply cord is damaged, it must be replaced by the manufacturer, its service agent or similarly qualified persons in order to avoid a hazard.
- The unit must be connected to the main power supply by means of a circuit breaker or a switch with a contact separation of at least 3mm in all poles. Installation of a residual current device (RCD) having a rated residual operating current not exceeding 30mA is advisable.
- This appliance incorporates an earth connection for functional purposes only.

### Rated Current of Each Models

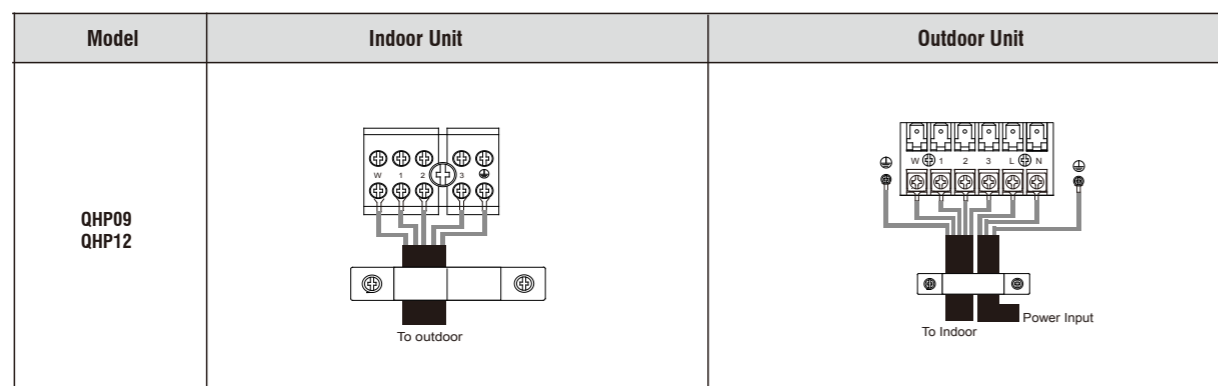
Model	Rated Current(A)	Fuse Rating(A)	Power input cord (with Min. Crosse section)	Connective Cable (with Min. Crosse section)
38QHP09E8S-1	13.0	20	3*1.5mm <sup>2</sup>	5*1.5mm <sup>2</sup>
38QHP12E8S-1	13.0	20	3*1.5mm <sup>2</sup>	5*1.5mm <sup>2</sup>

### NOTICE:

- All power wires must be sized in according with national, state and local electrical wiring code. Consult local building codes and National Electrical Code for special requirements.
- The outdoor power cord and interconnecting cable type should be H07RN-F.
- The rated current of appliance is indicated on the nameplate.
- The specification of outdoor unit fuse is T20A/250VAC (applicable to units adpot R32 refrigerant only) Note: The fuse is made of ceramic.



### Connection Diagram

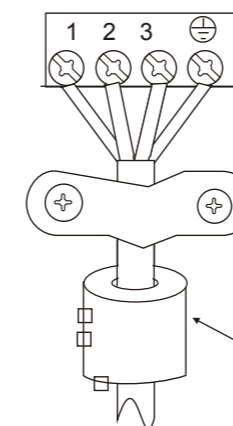


### Magnetic ring installation

For example:

The terminal block may be different according to the models.

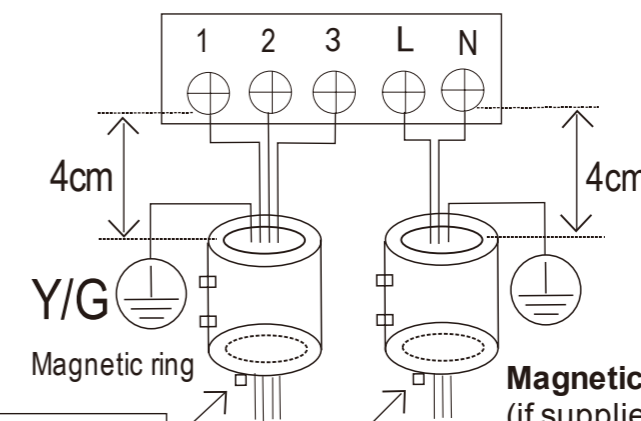
#### Indoor unit



**Magnetic ring**  
(if supplied and packed with the accessories)

Pass the belt through the hole of the Magnetic ring to fix it on the cable

#### Outdoor unit



Pass the belt through the hole of the Magnetic ring to fix it on the cable

**Magnetic ring**  
(if supplied and packed with the accessories)

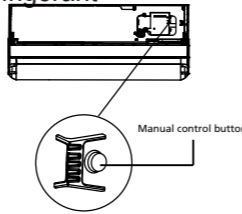


## 6. FINAL CHECK AND TRAIL OPERATION

### 6.1 FINAL CHECK LIST

To complete the installation, perform the following checks before the trial operation.

- Strength of the installation site for both indoor and outdoor sides, confirm no obstruction of the unit air outlet or return.
- Tightness of Refrigerant piping connection and confirm no leakage
- Electric wiring connections are correctly completed and unit has been grounding connected
- Check the total length of the piping and record the volume of the additional charged refrigerant
- The power supply should comply with the rated voltage of the air conditioner
- Insulation of the pipe
- Drainage



### 6.2 MANUAL OPERATION

Manual operation can be accessed by pressing manual button

Press the manual button repeatedly to change modes as follows:

- Once = AUTO mode [heat, cool or fan, 24°C and auto fan speed.
- Twice = COOLING mode [switch to AUTO mode after 30 minutes (mainly used for trial operation)]
- Three times = OFF

### 6.3 TRAIL OPERATION

Set the air conditioning under the COOLING mode with the remote controller (or manual button) and check the running status of both indoor unit and outdoor unit. In case of any malfunction, resolve it according to chapter "Trouble shooting" in the "Service Manual".

Indoor unit

- Whether the buttons (such as ON/OFF, MODE, TEMPERATURE, FAN SPEED etc.) on the remote controller work well.
- Whether the louver moves normally.
- Whether the room temperature is adjusted well.
- Whether the indicator lights on the display panel are normal.
- Whether the "manual" button works well.
- Whether the drainage is normal.
- Whether there is a vibration or abnormal noise during the operation.
- Whether the indoor unit works well in COOLING or HEATING mode.

Outdoor unit

- Whether there is a vibration or abnormal noise during the operation.
- Whether the air flow, noise or condensate water generated by the air conditioner have disturb your neighborhood.
- Whether there is any refrigerant leakage.

#### CAUTION

- When restart the unit, there will be approximately 3 minutes delay for the compressor to run for protection.

## 7. INFORMATION SERVICING

### 7.1 CHECKS TO THE AREA

Prior to beginning work on systems containing flammable refrigerants, safety checks are necessary to ensure that the risk of ignition is minimised. For repair to the refrigerating system, the following precautions shall be complied with prior to conducting work on the system.

### 7.2 WORK PROCEDURE

Works shall be undertaken under a controlled procedure so as to minimise the risk of a flammable gas or vapour being present while the work is being performed.

### 7.3 GENERAL WORK AREA

All maintenance staff and others working in the local area shall be instructed on the nature of work being carried out. Work in confined spaces shall be avoided. The area around the work space shall be sectioned off. Ensure that the conditions within the area have been made safe by control of flammable material.

### 7.4 CHECKING FOR PRESENCE OF REFRIGERANT

The area shall be checked with an appropriate refrigerant detector prior to and during work, to ensure the technician is aware of potentially flammable atmospheres. Ensure that the leak detection equipment being used is suitable for use with flammable refrigerants, i.e. no sparking, adequately sealed or intrinsically safe.

### 7.5 PRESENCE OF FIRE EXTINGUISHER

If any hot work is to be conducted on the refrigeration equipment or any associated parts, appropriate fire extinguishing equipment shall be available to hand. Have a dry power or CO2 fire extinguisher adjacent to the charging area.

### 7.6 NO IGNITION SOURCES

No person carrying out work in relation to a refrigeration system which involves exposing any pipe work that contains or has contained flammable refrigerant shall use any sources of ignition in such a manner that it may lead to the risk of fire or explosion. All possible ignition sources, including cigarette smoking, should be kept sufficiently far away from the site of installation, repairing, removing and disposal, during which flammable refrigerant can possibly be released to the surrounding space. Prior to work taking place, the area around the equipment is to be surveyed to make sure that there are no flammable hazards or ignition risks. "NO SMOKING" signs shall be displayed.

### 7.7 VENTILATED AREA

Ensure that the area is in the open or that it is adequately ventilated before breaking into the system or conducting any hot work. A degree of ventilation shall continue during the period that the work is carried out. The ventilation should safely disperse any released refrigerant and preferably expel it externally into the atmosphere.

### 7.8 CHECKS TO THE REFRIGERATION EQUIPMENT

Where electrical components are being changed, they shall be fit for the purpose and to the correct specification. At all times the manufacturer's maintenance and service guidelines shall be followed. If in doubt consult the manufacturer's technical department for assistance. The following checks shall be applied to installations using flammable refrigerants:

- the charge size is in accordance with the room size within which the refrigerant containing parts are installed;
- the ventilation machinery and outlets are operating adequately and are not obstructed;
- if an indirect refrigerating circuit is being used, the secondary circuits shall be checked for the presence of refrigerant; marking to the equipment continues to be visible and legible.
- marking and signs that are illegible shall be corrected;
- refrigeration pipe or components are installed in a position where they are unlikely to be exposed to any substance which may corrode refrigerant containing components, unless the components are constructed of materials which are inherently resistant to being corroded or are suitably protected against being so corroded.

### 7.9 CHECKS TO ELECTRICAL DEVICES

Repair and maintenance to electrical components shall include initial safety checks and component inspection procedures. If a fault exists that could compromise safety, then no electrical supply shall be connected to the circuit until it is satisfactorily dealt with. If the fault cannot be corrected immediately but it is necessary to continue operation, and adequate temporary solution shall be used. This shall be reported to the owner of the equipment so all parties are advised.

#### Initial safety checks shall include:

- that capacitors are discharged: this shall be done in a safe manner to avoid possibility of sparking
- that there no live electrical components and wiring are exposed while charging, recovering or purging the system;
- that there is continuity of earth bonding.

### 7.10 REPAIRS TO SEALED COMPONENTS

10.1 During repairs to sealed components, all electrical supplies shall be disconnected from the equipment being worked upon prior to any removal of sealed covers, etc. If it is absolutely necessary to have an electrical supply to equipment during servicing, then a permanently operating form of leak detection shall be located at the most critical point to warn of a potentially hazardous situation.

10.2 Particular attention shall be paid to the following to ensure that by working on electrical components, the casing is not altered in such a way that the level of protection is affected. This shall include damage to cables, excessive number of connections, terminals not made to original specification, damage to seals, incorrect fitting of glands, etc.

- Ensure that apparatus is mounted securely.
- Ensure that seals or sealing materials have not degraded such that they no longer serve the purpose of preventing the ingress of flammable atmospheres. Replacement parts shall be in accordance with the manufacturer's specifications.

NOTE: The use of silicon sealant may inhibit the effectiveness of some types of leak detection equipment. Intrinsically safe components do not have to be isolated prior to working on them.

### 7.11 REPAIR TO INTRINSICALLY SAFE COMPONENTS

Do not apply any permanent inductive or capacitance loads to the circuit without ensuring that this will not exceed the permissible voltage and current permitted for the equipment in use. Intrinsically safe components are the only types that can be worked on while live in the presence of a flammable atmosphere. The test apparatus shall be at the correct rating. Replace components only with parts specified by the manufacturer. Other parts may result in the ignition of refrigerant in the atmosphere from a leak.

### 7.12 CABLING

Check that cabling will not be subject to wear, corrosion, excessive pressure, vibration, sharp edges or any other adverse environmental effects. The check shall also take into account the effects of aging or continual vibration from sources such as compressors or fans.

### 7.13 DETECTION OF FLAMMABLE REFRIGERANTS

Under no circumstances shall potential sources of ignition be used in the searching for or detection of refrigerant leaks. A halide torch (or any other detector using a naked flame) shall not be used.

### 7.14 LEAK DETECTION METHODS

The following leak detection methods are deemed acceptable for systems containing flammable refrigerants. Electronic leak detectors shall be used to detect flammable refrigerants, but the sensitivity may not be adequate, or may need re-calibration. (Detection equipment shall be calibrated in a refrigerant-free area.) Ensure that the detector is not a potential source of ignition and is suitable for the refrigerant. Leak detection equipment shall be set at a percentage of the LFL of the refrigerant and shall be calibrated to the refrigerant employed and the appropriate percentage of gas (25% maximum) is confirmed. Leak detection fluids are suitable for use with most refrigerants but the use of detergents containing chlorine shall be avoided as the chlorine may react with the refrigerant and corrode the copper pipe-work. If a leak is suspected, all naked flames shall be removed or extinguished. If a leakage of refrigerant is found which requires brazing, all of the refrigerant shall be recovered from the system, or isolated (by means of shut off valves) in a part of the system remote from the leak. Oxygen free nitrogen (OFN) shall then be purged through the system both before and during the brazing process.

### 7.15 REMOVAL AND EVACUATION

When breaking into the refrigerant circuit to make repairs or for any other purpose conventional procedures shall be used. However, it is important that best practice is followed since flammability is a consideration. The following procedure shall be adhered to:

- remove refrigerant;
- purge the circuit with inert gas;
- evacuate;
- purge again with inert gas;  
open the circuit by cutting or brazing.

The refrigerant charge shall be recovered into the correct recovery cylinders. The system shall be flushed with OFN to render the unit safe. This process may need to be repeated several times.

Compressed air or oxygen shall not be used for this task.

Flushing shall be achieved by breaking the vacuum in the system with OFN and continuing to fill until the working pressure is achieved, then venting to atmosphere, and finally pulling down to a vacuum. This process shall be repeated until no refrigerant is within the system.

When the final OFN charge is used, the system shall be vented down to atmospheric pressure to enable work to take place. This operation is absolutely vital if brazing operations on the pipe-work are to take place. Ensure that the outlet for the vacuum pump is not closed to any ignition sources and there is ventilation available.

### 7.16 CHARGING PROCEDURES

In addition to conventional charging procedures, the following requirements shall be followed:

- Ensure that contamination of different refrigerants does not occur when using charging equipment. Hoses or lines shall be as short as possible to minimize the amount of refrigerant contained in them.
- Cylinders shall be kept upright.
- Ensure that the refrigeration system is earthed prior to charging the system with refrigerant.
- Label the system when charging is complete (if not already).
- Extreme care shall be taken not to overfill the refrigeration system.
- Prior to recharging the system it shall be pressure tested with OFN. The system shall be leak tested on completion of charging but prior to commissioning. A follow up leak test

### 7.17 DECOMMISSIONING

Before carrying out this procedure, it is essential that the technician is completely familiar with the equipment and all its detail. It is recommended good practice that all refrigerants are recovered safely. Prior to the task being carried out, an oil and refrigerant sample shall be taken.

In case analysis is required prior to re-use of reclaimed refrigerant. It is essential that electrical power is available before the task is commenced.

- a) Become familiar with the equipment and its operation.
- b) Isolate system electrically
- c) Before attempting the procedure ensure that:
  - mechanical handling equipment is available, if required, for handling refrigerant cylinders;
  - all personal protective equipment is available and being used correctly;
  - the recovery process is supervised at all times by a competent person;
  - recovery equipment and cylinders conform to the appropriate standards.
- d) Pump down refrigerant system, if possible.
- e) If a vacuum is not possible, make a manifold so that refrigerant can be removed from various parts of the system.
- f) Make sure that cylinder is situated on the scales before recovery takes place.
- g) Start the recovery machine and operate in accordance with manufacturer's instructions.
- h) Do not overfill cylinders. (No more than 80% volume liquid charge).
- i) Do not exceed the maximum working pressure of the cylinder, even temporarily.
- j) When the cylinders have been filled correctly and the process completed, make sure that the cylinders and the equipment are removed from site promptly and all isolation valves on the equipment are closed off.
- k) Recovered refrigerant shall not be charged into another refrigeration system unless it has been cleaned and checked.

### 7.18 LABELLING

Equipment shall be labelled stating that it has been de-commissioned and emptied of refrigerant. The label shall be dated and signed. Ensure that there are labels on the equipment stating the equipment contains flammable refrigerant.

### 7.19 RECOVERY

- When removing refrigerant from a system, either for service or decommissioning, it is recommended good practice that all refrigerants are removed safely.
- When transferring refrigerant into cylinders, ensure that only appropriate refrigerant recovery cylinders are employed. Ensure that the correct numbers of cylinders for holding the total system charge are available. All cylinders to be used are designated for the recovered refrigerant and labelled for that refrigerant (i.e. special cylinders for the recovery of refrigerant). Cylinders shall be complete with pressure relief valve and associated shut-off valves in good working order.
- Empty recovery cylinders are evacuated and, if possible, cooled before recovery occurs.
- The recovery equipment shall be in good working order with a set of instructions concerning the equipment that is at hand and shall be suitable for the recovery of flammable refrigerants. In addition, a set of calibrated weighing scales shall be available and in good working order.
- Hoses shall be complete with leak-free disconnect couplings and in good condition. Before using the recovery machine, check that it is in satisfactory working order, has been properly maintained and that any associated electrical components are sealed to prevent ignition in the event of a refrigerant release. Consult manufacturer if in doubt.
- The recovered refrigerant shall be returned to the refrigerant supplier in the correct recovery cylinder, and the relevant Waste Transfer Note arranged. Do not mix refrigerants in recovery units and especially not in cylinders.
- If compressors or compressor oils are to be removed, ensure that they have been evacuated to an acceptable level to make certain that flammable refrigerant does not remain within the lubricant. The evacuation process shall be carried out prior to retuning the compressor to the suppliers. Only electric heating to the compressor body shall be employed to accelerate this process. When oil is drained from a system, it shall be carried out safely.

### 7.20 TRANSPORTATION, MARKING AND STORAGE FOR UNITS

1. Transport of equipment containing flammable refrigerants  
Compliance with the transport regulations
2. Marking of equipment using signs  
Compliance with local regulations
3. Disposal of equipment using flammable refrigerants  
Compliance with national regulations
4. Storage of equipment/appliances  
The storage of equipment should be in accordance with the manufacturer's instructions.
5. Storage of packed (unsold) equipment  
Storage package protection should be constructed such that mechanical damage to the equipment inside the package will not cause a leak of the refrigerant charge.  
The maximum number of pieces of equipment permitted to be stored together will be determined by local regulations.

За този продукт е потвърдено, че съответства на Директивата за ниско напрежение (2014/35/ЕС) и на Директивата за електромагнитна съвместимост (2014/30/ЕС) на Европейския съюз.



## Правилно изхвърляне на този продукт (отпадъци от електрическо и електронно оборудване)

(При използване на този климатик в държавите от Европейския съюз трябва да се спазват следните указания)

- Тази маркировка върху продукта или в неговата документация показва, че отпадъците от електрическо и електронно оборудване (WEEE, както са определени в директива 2012/19/ЕО) не трябва да се смесват с общите битови отпадъци. Забранява се изхвърлянето на този уред заедно с битови отпадъци. Съществуват няколко възможности за изхвърляне на уреда:
- 1. Общината разполага със системи за сметосъбиране, чрез които електронните отпадъци могат да се изхвърлят от потребителите безплатно.
- 2. При закупуване на нов продукт търговецът на дребно ще вземе обратно стария Ви продукт безплатно.
- 3. Производителят ще приеме безплатно стария Ви уред и ще го изхвърли.
- 4. Тъй като старите продукти съдържат ценни материали, те могат да се продадат на дружества за изкупуване на скрап. Неконтролируемото изхвърляне на отпадъци в горите и сред природата застрашава Вашето здраве, тъй като опасните вещества може да попаднат в почвените води и впоследствие – в хранителната верига.

Този продукт съдържа флуорирани газове, попадащи в обхвата на Протокола от Киото.

Химическо наименование на газа	R32
Потенциал за глобално затопляне (ПГЗ) на газа	675

### ⚠ ВНИМАНИЕ

- |   |  |
|---|--|
| <ol style="list-style-type: none"> <li>1. Поставете приложения етикет за хладилния агент близо до мястото за зареждане и/или възстановяване.</li> <li>2. С неизтриваемо мастило запишете на етикета ясно количеството зареден хладилен агент.</li> <li>3. Не допускайте отделяне на съдържащия се флуориран газ. Не позволявайте изпускане на флуорирания газ в атмосферата по време на монтаж, ремонт или изхвърляне на уреда. Ако се установи изтичане на флуориран газ, то трябва незабавно да бъде спряно и да се направи нужния ремонт.</li> </ol> | <ol style="list-style-type: none"> <li>4. Само на квалифицирани сервизни техници се позволява да имат достъп и да ремонтират този продукт.</li> <li>5. Всяка работа, свързана с флуорирания газ, като например при преместване на климатика или при презареждане на газа, трябва да се извършва в съответствие с Регламент (ЕО) № 517/2014 относно някои флуорирани парникови газове, както и с приложимото национално законодателство.</li> <li>6. Ако системата има инсталирана система за откриване на теч, тя трябва да бъде проверявана за течове най-малко на всеки 12 месеца.</li> <li>7. Ако уредът се проверява за течове, настоятелно се препоръчва записване на всички проверки.</li> </ol> |
|---|--|

Вътрешно тяло	Външно тяло	Номинално напрежение и честота
42QHP09E8S-1	38QHP09E8S-1	220-240V~, 50Hz
42QHP12E8S-1	38QHP12E8S-1	

Производителят си запазва правото да променя спецификациите на продукта, без да уведомява за това.

## СЪДЪРЖАНИЕ

<b>1. ПОДГОТОВКА ЗА МОНТАЖ</b> .....	3
1.1 Предпазни мерки .....	3
1.2 Аксесоари .....	5
1.3 Избор на мястото за монтаж .....	6
<b>2. МОНТАЖ НА ВЪТРЕШНОТО ТЯЛО</b> .....	7
2.1 Монтажна пластина на вътрешното тяло.....	7
2.2 Процес на монтаж.....	8
<b>3. МОНТАЖ НА ВЪНШНОТО ТЯЛО</b> .....	9
3.1 Монтажни размери на външното тяло .....	9
3.2 Необходимо пространство за външното тяло .....	9
3.3 Свързване на кабелите на външното тяло .....	10
3.4 Монтиране на външното тяло .....	10
3.5 Монтиране на дренажната тръба на външното тяло .....	10
<b>4. ТРЪБОПРОВОД НА ХЛАДИЛНИЯ АГЕНТ</b> .....	11
4.1 Разширяване .....	11
4.2 Работа по тръбите.....	11
4.3 Тръба за хладилния агент.....	12
4.4 Обезвъздушаване .....	12
4.5 Проверка за течове .....	12
<b>5. СВЪРЗВАНЕ НА ПРОВОДНИЦИТЕ</b> .....	13
<b>6. ФИНАЛНА ПРОВЕРКА И ПРОБЕН ПУСК</b> .....	14
6.1 Списък на финалните проверки.....	14
6.2 Ръчно управление .....	14
6.3 Пробен пуск .....	14
<b>7. ИНФОРМАЦИОННО ОБСЛУЖВАНЕ</b> .....	15



Внимание: Опасност от пожар само за хладилен агент R32/R290

## 1.1 ПРЕДПАЗНИ МЕРКИ

- Монтажът, стартирането и обслужването на климатици може да бъде опасно поради наляганията в системата, електрическите компоненти и мястото на оборудването (покриви, издигнати конструкции и др.).
- Само обучени квалифицирани монтажници и сервизни техници следва да монтират, стартират и обслужват това оборудване.
- По време на работа по оборудването да се спазват предпазните мерки в документацията и по табелките, стикерите и етикетите, прикрепени към оборудването.
- Спазвайте всички правила за безопасност. Носете предпазни очила и работни ръкавици. При извършване на запояване дръжте в непосредствена близост противопожарно одеяло и пожарогасител. Внимавайте при пренасяне, инсталиране и позициониране на обемисто оборудване.
- Прочетете тези инструкции внимателно и спазвайте всички предупреждения или предпазни мерки, включени в ръководството и прикрепени към уреда. Направете справка в местните правила за строителните дейности и в националните правила за електрическите съоръжения, за да се запознаете със специалните изисквания.

### ⚠ ПРЕДУПРЕЖДЕНИЕ

Този символ посочва възможността от получаване на травма или смърт.

- **Хладилният агент е по-тежък от въздуха и замества кислорода.** Изтичането на голямо количество хладилен агент може да доведе до недостиг на кислород, особено в помещения на приземни етажи, както и да създаде опасност от задушаване, водеща до сериозно нараняване или смърт.
- Когато климатикът е монтиран в малко помещение, вземете подходящи мерки, за да се гарантира, че концентрацията на хладилен агент в помещението при възникване на теч няма да превиши критичното ниво.
- **Ако по време на монтажа се появи теч на хладилен газ, незабавно проветрете помещението.** Хладилният агент може да отдели токсичен газ, ако се загрее силно при контакт с вентилаторен отоплителен уред например или готварска печка. Излагането на този газ може да причини сериозно нараняване или смърт.
- **Изключете от електрическата мрежа, преди да пристъпите към някаква работа по електрическата част. Свържете правилно свързващия кабел.**  
Неправилното свързване може да доведе до повреждане на електрическите части.
- **Използвайте посочените в спецификацията кабели за електрическите връзки и прикрепяйте проводниците здраво към клемната кутия, която свързва секциите така, че върху клемите да не се упражнява външна сила.**
- **Непременно осигурете заземяване.**  
Не заземявайте уредите към газови и водни тръби, гръмоотводи или телефонни кабели. Непълното заземяване може да причини сериозна опасност от токов удар и да доведе до травма или смърт.
- **Безопасно изхвърляне на опаковъчните материали.**  
Опаковъчните материали, като например гвоздеи и други метални или дървени части, могат да причинят порязване или други наранявания. Разкъсвайте и изхвърляйте пластмасовите опаковъчни торби така, че да е невъзможно деца да играят с тях. Използването на найлонови торби от деца за игра крие опасност от задушаване.
- **Не монтирайте уреда в близост до места с концентрация на запалими газове или изпарения.**
- **Задължително използвайте доставените или точно посочените монтажни елементи.**  
Използването на други елементи може да доведе до разхлабване на уреда, изтичане на вода, токов удар, пожар или повреда на оборудването.
- **При монтиране или преместване на климатичната система не позволявайте навлизането на въздух или други вещества, различни от хладилния агент (R410A) в охладителната верига.**
- **Не правете промени по уреда чрез отстраняване на елементите за защита или изключване на предпазителите.**
- **Дейностите по електрическата част трябва да бъдат извършвани в съответствие с ръководството за монтаж и националните, регионалните и местните правилници за работа с електрически кабели.**

### ⚠ ПРЕДУПРЕЖДЕНИЕ

- **Задължително използвайте независима електрическа верига. Никога не използвайте един и същ захранващ контакт с други уреди.**
- **С цел избягване на опасност от злополука поради неправилно превключване на терморелето, този уред не трябва да се свързва както към външен превключвател като таймер, така и към верига, която редовно се включва и изключва от доставчика на електрическа енергия.**
- **Използвайте предписаните кабели за електрическа връзка с изолация, защитена с изолационен шлаух с подходящи температурни номинални параметри.**  
Неподходящите кабели могат да доведат до токова утечка, необичайно загряване или пожар.
- **Не прилагайте мерки, различни от тези, които препоръчва производителят, за ускоряване на процеса на размразяване или за почистване.**
- **Уредът трябва да се съхранява в стая без продължително работещи източници на запалване (например открити пламъци, работещ газов уред или работещ електрически нагревател)**
- **Да не се пробива или изгаря.**
- **Имайте предвид, че хладилните агенти може да нямат мирис.**
- **Уредът трябва да се съхранява на добре проветрено място, където пространството съответства на изискванията за експлоатация.**
- **За модели с хладилен агент R32:**  
Уредът трябва да се монтира, експлоатира и съхранява в помещение с площ над 4 m<sup>2</sup>.  
Уредът не трябва да се инсталира в помещение без вентилация, ако помещението е с площ под 4 m<sup>2</sup>.
- **Минималният необходим размер на помещението за модели с хладилен агент R290 е:**  
≤ 9000 Btu/h тела: 13m<sup>2</sup>  
>9000Btu/h и ≤12000Btu/h тела: 17m<sup>2</sup>  
>12000Btu/h и ≤18000Btu/h тела: 26m<sup>2</sup>  
>18000Btu/h и ≤24000Btu/h тела: 35m<sup>2</sup>

### ⚠ ВНИМАНИЕ

Този символ посочва възможността от материална повреда или сериозни последици.

- **За да не се нараните, внимавайте, когато работите с елементи с остри ръбове.**
- **Не монтирайте вътрешното или външното тяло на място със специални климатични особености.**
- **Не монтирайте на място, което може да увеличи нивото на шум на климатика или където шумът и отделяният въздух биха могли да обезпокояват съседите.**
- **Изпълнете дейностите по дренажната/тръбопроводната част надеждно според ръководството за монтаж.**  
Неправилното монтиране на дренажната тръба може да доведе до теч на вода и материални щети.
- **Не монтирайте климатика на следните места.**
  - Където има минерално масло или арсенова киселина.
  - Където може да се акумулира или събере корозивен газ (като например от серниста киселина) или възпламеним газ (като например от разреждател), или където се борави с летливи запалими вещества.
  - Където има оборудване, което генерира електромагнитни полета или високочестотни хармоници.
- **Уредът трябва да се съхранява така, че да се предотвратят механични повреди.**
- **Всяко лице, което участва в работата по или прекъсването на кръга на хладилния агент, трябва да има валиден сертификат от акредитиран орган за оценяване в индустрията, който удостоверява компетентността им да боравят с хладилни агенти безопасно и в съответствие с признати от индустрията критерии за оценка.**

## 1.2 АКЕСОАРИ

С уреда се доставят следните аксесоари. Типът и количеството може да се различават в зависимост от спецификациите.

Наименование на аксесоарите	К-во (бр.)	Форма	Наименование на аксесоарите	К-во (бр.)	Форма
Ръководство	3		Дистанционно управление	1	
Изход за дренаж	1		Батерия	2	
Уплътнител	1		Поставка за дистанционно управление	1	
Монтажна пластина	1		Винт В	2	
Анкер	5		Малък филтър	1	
Винт А	5		Магнитен пръстен (Някои тела)	N*	

\* според действителното количество

## 1.3 ИЗБОР НА МЯСТОТО ЗА МОНТАЖ

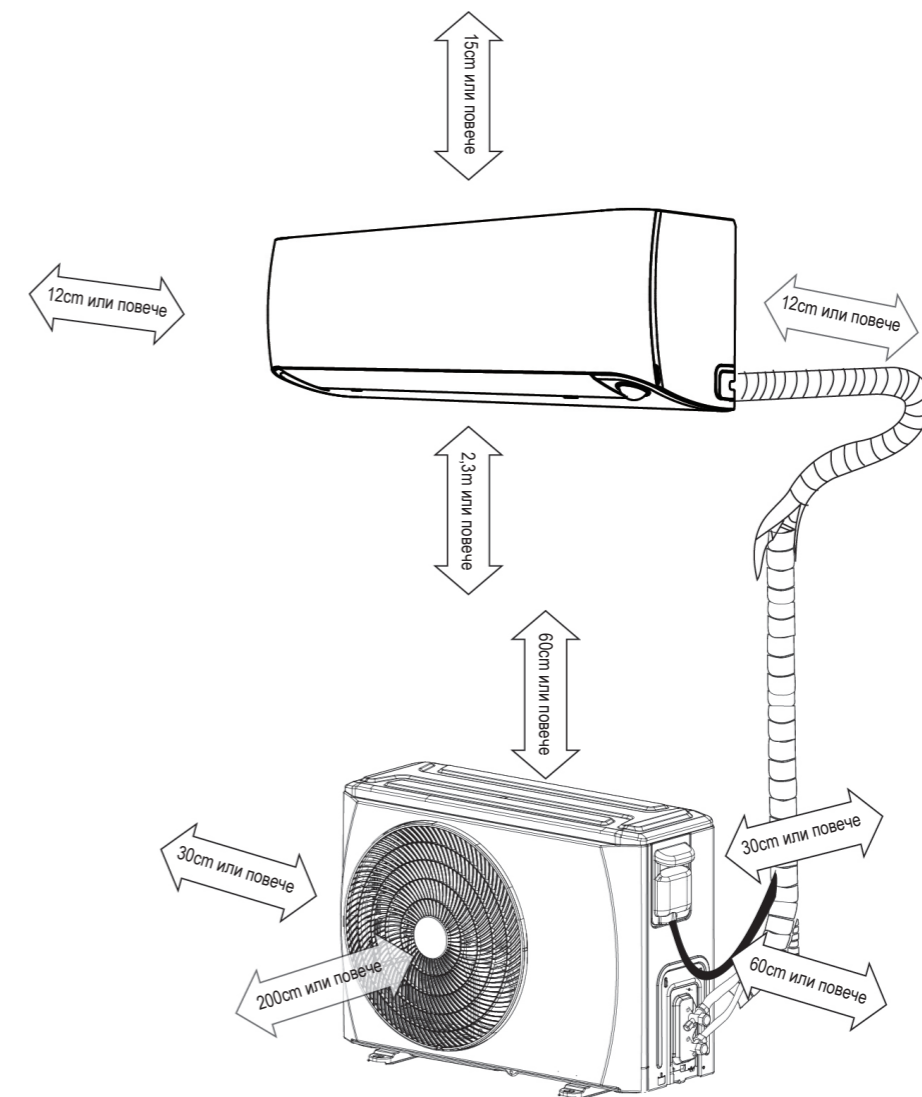
### Вътрешно тяло

- Място, което може да издържи тежестта на вътрешното тяло.
- Вътрешното тяло не трябва да се монтира в близост до директен източник на топлина като пряка слънчева светлина или нагревателен уред.
- Място, което осигурява съответните разстояния, както е посочено на фигурата по-долу.
- Подвижните части на уреда трябва да бъдат монтирани/закрепени на ниво, не по-малко от 2,3 m от пода.

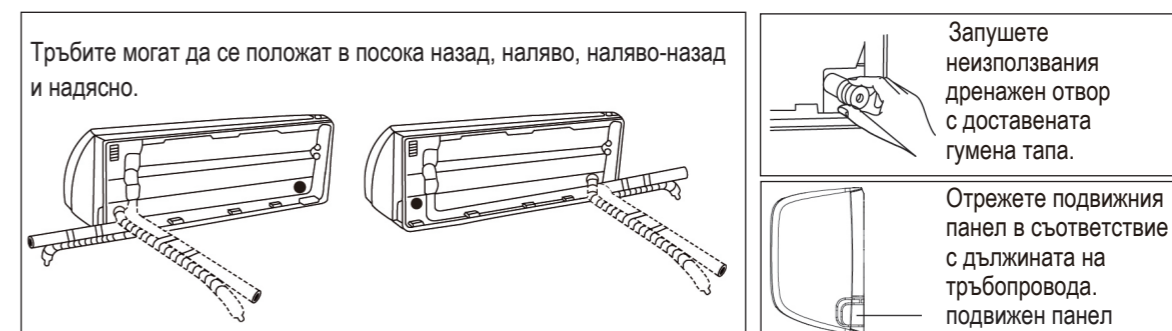
### Външно тяло

- Място, което е подходящо за монтаж и не е изложено на силен вятър. Ако външното тяло е изложено на силен вятър, препоръчва се да се използва ветрозащитна преграда.
- Място, което може да издържи тежестта на външното тяло и където то може да бъде монтирано в хоризонтално положение.
- Място, което осигурява съответните разстояния, както е посочено на фигурата по-долу.

Не монтирайте вътрешното или външното тяло на място със специални климатични особености. Уверете се, че има достатъчно място за монтаж и техническо обслужване.



Забележка: Спазвайте показаните със стрелки разстояния от стената, тавана, фасадата и други препятствия.

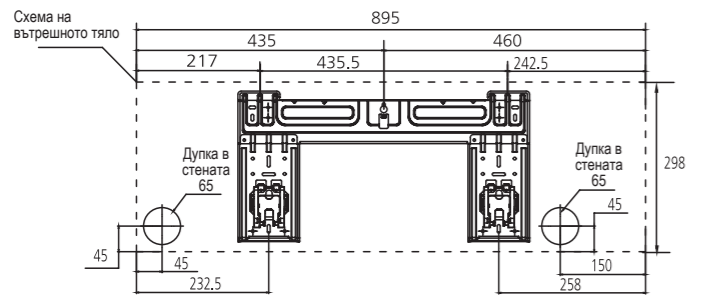


Тръбите могат да се положат в посока назад, наляво, наляво-назад и надясно.

Запушете неизползвания дренажен отвор с доставената гумена тапа.

Отрежете подвижния панел в съответствие с дължината на тръбопровода. подвижен панел

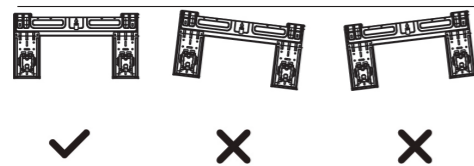
## 2.1 МОНТАЖНА ПЛАСТИНА НА ВЪТРЕШНОТО ТЯЛО



Забележка: Ако свързващата тръба с газ е с диаметър Ø16 mm (5/8 in) или повече, отворът на тръбата трябва да е 90 mm (3,54 in).

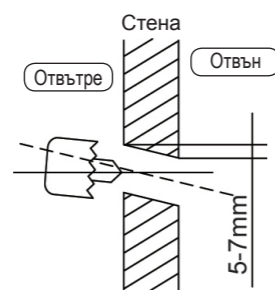
### ■ Монтиране на монтажната пластина

Закрепете монтажната пластина хоризонтално и я изравнете на стената с пет или повече винтове тип А.



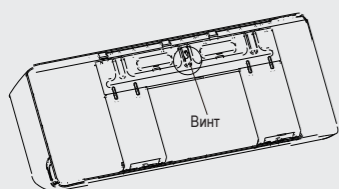
### ■ Пробиване на отвор в стената

Пробийте отвор в стената с ширина 65 mm или 90 mm (в зависимост от модела) с лек наклон навън.



Забележка:

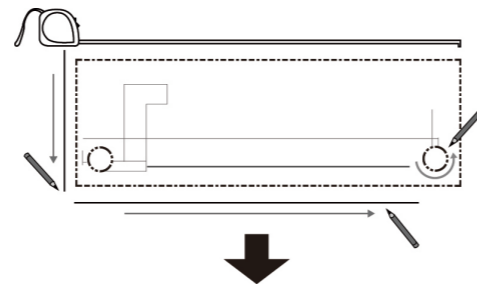
■ Монтажната пластина е фиксирана с винт за удобство при транспортирането, махнете винта преди монтирането. (вж. фигурата)



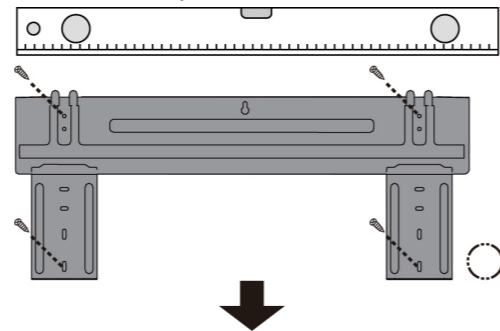
■ Монтажната пластина ще изглежда по един от дадените по-долу начини в зависимост от размерите на уреда. Отворите за фиксиращите анкери трябва да бъдат 5 mm.

## 2.2 ПРОЦЕС НА МОНТАЖ

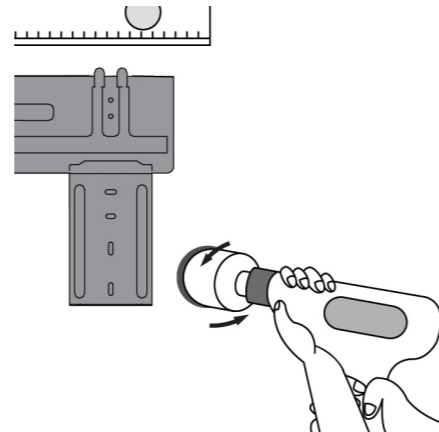
Стъпка 1: Определете мястото на отвора на стената.



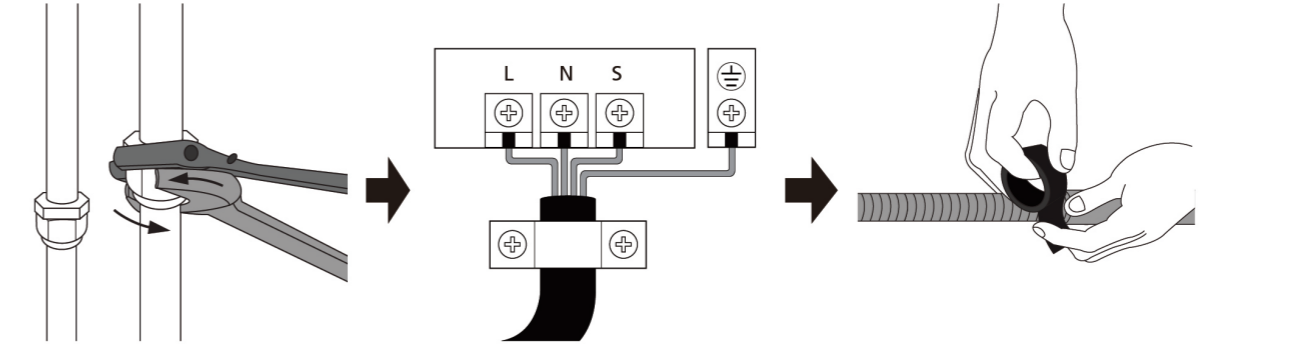
Стъпка 2: Закрепете монтажната пластина.



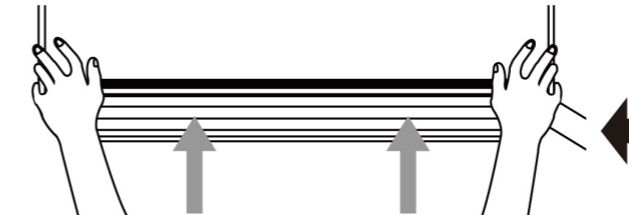
Стъпка 3: Пробийте отвор в стената.



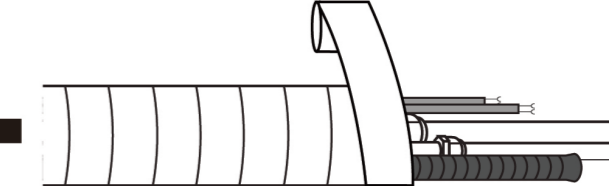
Стъпка 4: Свържете тръбата    Стъпка 5: Свържете кабела    Стъпка 6: Пригответе дренажния маркуч



Стъпка 8: Окачете вътрешното тяло

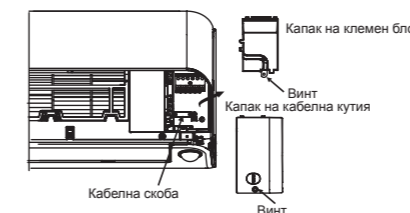
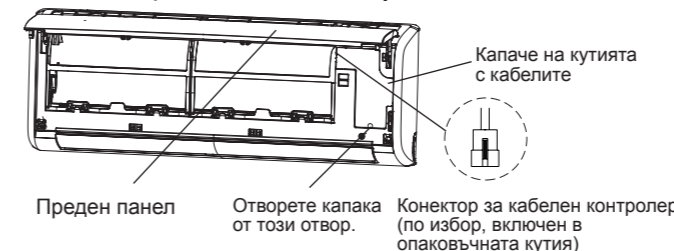


Стъпка 7: Обвийте тръбата и кабела



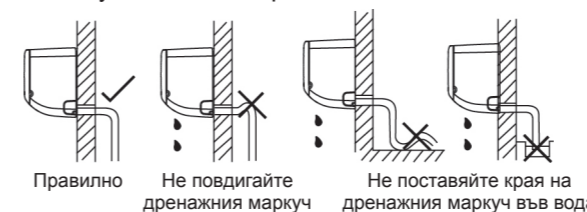
### ■ Свързване на кабелите на вътрешното тяло

1. Вдигнете предния панел на вътрешното тяло.
2. Отворете капака на електрическото табло на вътрешното тяло с отверка през дупката, махнете ръчно капака на клемния блок и махнете кабелната скоба, като разхлабите болтовете
3. Прокарайте свързващите кабели зад вътрешното тяло и свържете с клемния му блок.



### ■ Дренаж

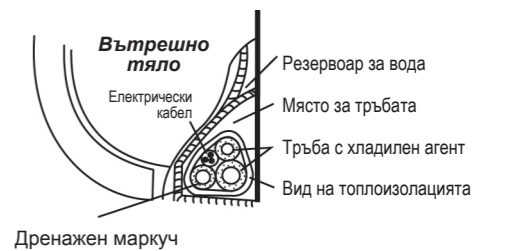
Дренажната тръба не трябва да има каквато и да е деформация по цялата дължина, да е наклонена надолу и да е изолирана до външната стена.



### ■ Обвиване на тръбите

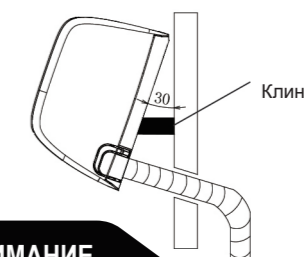
За правилната посока на тръбата с хладилен агент, електрическите кабели и дренажните тръби вижте схемата по-долу:

- Поставете дренажния маркуч под тръбата за хладилен агент.
- Уверете се, че дренажният маркуч не е разместен или огънат.



### ■ Окачване на вътрешното тяло.

1. Прокарайте тръбите с охлаждащ агент през отвора в стената.
2. Окачете вътрешното тяло на горната кука на монтажната пластина, а след това притиснете долната част нагоре към стената, за да го закачите на долната кука.
3. Опитайте се с ръка да задвижите вътрешното тяло на едната и другата страна, за да проверите дали е закачено стабилно.



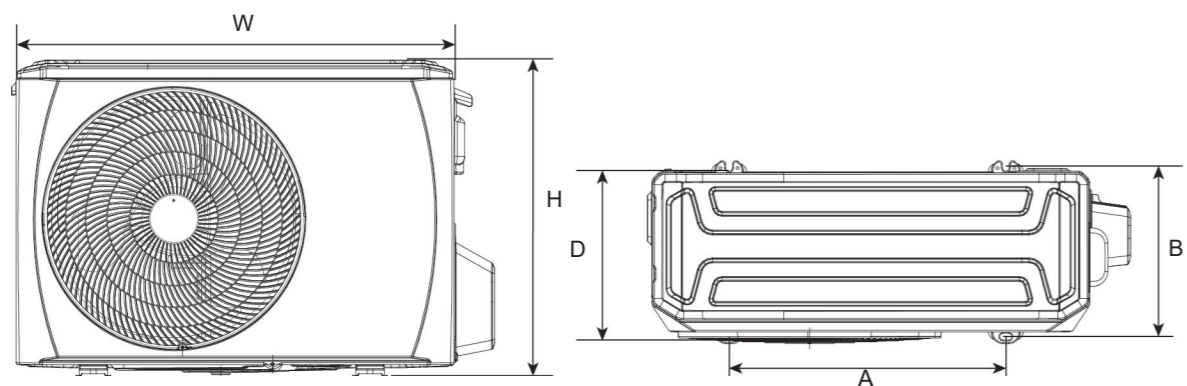
### ⚠ ВНИМАНИЕ

- Свързващите части на свързващата тръба трябва да бъдат поставени извън помещението.

## 3. МОНТАЖ НА ВЪНШНОТО ТЯЛО

### 3.1 МОНТАЖНИ РАЗМЕРИ НА ВЪНШНОТО ТЯЛО

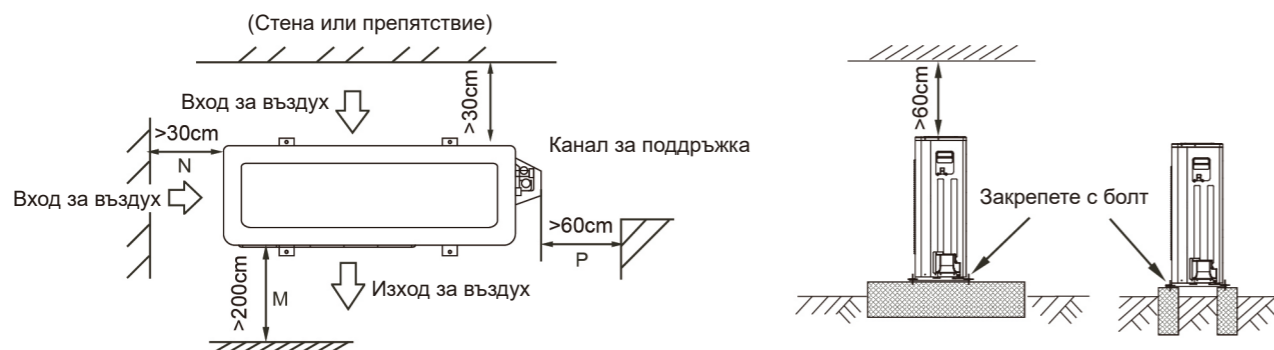
Монтажните размери се различават за отделните модели на външното тяло. Диаметърът на закрепващия болт трябва да е повече от 12mm.



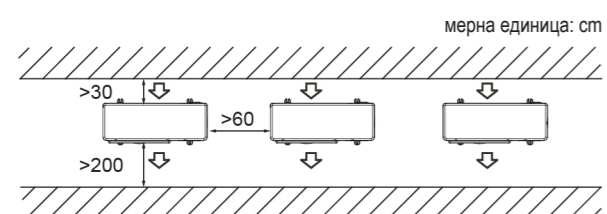
Размери на външното тяло (mm)			Монтажни размери (mm)		
Външно тяло	W	H	D	A	B
38QHP09E8S-1 38QHP12E8S-1	805	554	330	511	317

### 3.2 НЕОБХОДИМО ПРОСТРАНСТВО ЗА ВЪНШНОТО ТЯЛО

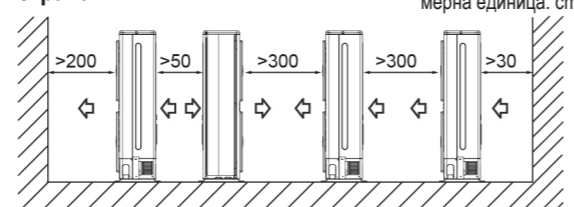
#### Монтаж на едно тяло



#### Паралелно свързване на две тела или повече



#### Паралелно свързване на предната със задната страна



#### ВНИМАНИЕ

- В райони със снеговалежи и ниски температури избягвайте монтирането на външното тяло на места, които може да бъдат покрити със сняг. Ако се очакват силни снеговалежи, над външното тяло трябва да се монтира предпазен навес срещу сняг и/или лед и ветрозащитна преграда, с цел предпазване на уреда от натрупване на сняг и/или блокиране на всмукването на въздух.

## 3. МОНТАЖ НА ВЪНШНОТО ТЯЛО



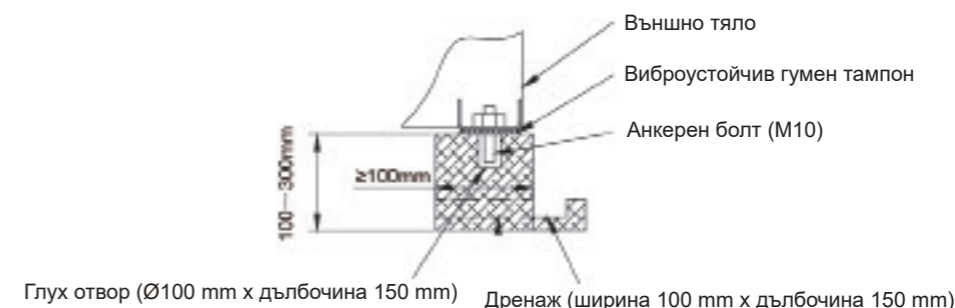
### 3.3 СВЪРЗВАНЕ НА КАБЕЛИТЕ НА ВЪНШНОТО ТЯЛО

- Махнете капачето на кутията за свързване на кабелите и скобата за кабелите, като разхлабите болтовете.
- Свържете кабелите към клемния блок на външното тяло в същата последователност като при вътрешното тяло.



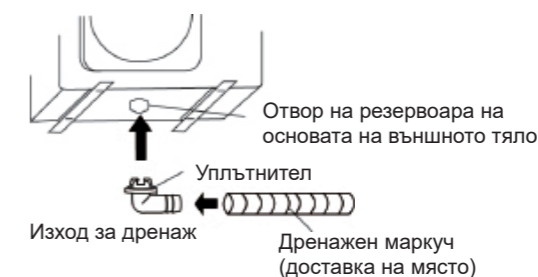
### 3.4 МОНТИРАНЕ НА ВЪНШНОТО ТЯЛО

- Преди монтажа проверете якостта и хоризонталността на основата, за да не се генерира ненормален звук.
- Фиксирайте основата здраво с анкерни болтове (M10), за да я предпазите от разпадане.
- Монтирайте основата и устойчивите на вибрации гумени подложки за пряка опора на долната повърхност на фиксиращия крак, който е в контакт с долната пластина на външното тяло.



### 3.5 МОНТИРАНЕ НА ДРЕНАЖНАТА ТРЪБА НА ВЪНШНОТО ТЯЛО

- Свържете отвора за дренаж с удължителен дренажен маркуч
- Поставете уплътнението на изхода за дренаж.
- Вмъкнете изхода за дренаж в отвора на резервоара на основата на външното тяло и завъртете на 90 градуса, за да ги сглобите надеждно.





## 4. ТРЪБОПРОВОД НА ХЛАДИЛНИЯ АГЕНТ

### ВНИМАНИЕ

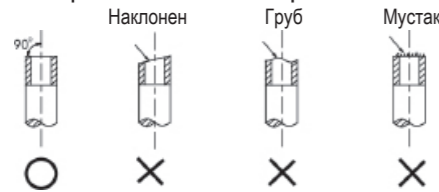
- Проверете дали разликата между височината на вътрешното и на външното тяло, и общата дължина на тръбата за хладилния агент отговарят на изискванията на системата.
- Дейностите по тръбопровода за хладилния агент следват монтажа на вътрешното и на външното тяло. Свържете тръбата първо към вътрешната и след това към външната страна.
- Винаги пазете краищата на тръбите затворени с помощта на капачка или покрити с лента по време на монтажа и НЕ ги сваляйте, докато не сте готови да ги свържете.
- Задължително изолирайте целия открит тръбопровод до връзката му вътре в уреда. Всяка оголена част от тръбопровода може да причини конденз или изгаряне при допир.
- Когато външното тяло е нависоко и разликата в нивата е над 10 m, се препоръчва да се постави коляно за връщане на масло на всеки 5~8 m в газовата тръба. Радиусът на коляното за връщане на масло трябва да е повече от 10 cm.

### 4.1 РАЗШИРЯВАНЕ

#### ЗАБЕЛЕЖКА

- Инструментите, които са необходими за разширяване, са машина за рязане на тръби, райбер, валцовач и държач на тръбата.
- За моделите с хладилен агент R32 точките за свързване на тръбите трябва да се поставят извън помещението.

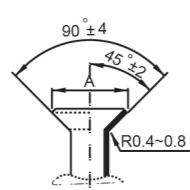
- 4.1.1 Използвайте машината за рязане на тръби за срязване на тръбата до необходимата дължина. Отрязаният ръб трябва да остане на 90° спрямо стената на тръбата.



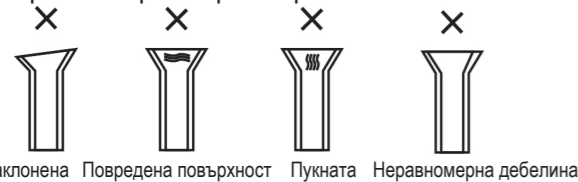
- 4.1.2 Използвайте райбер за отстраняване на мустаци от срязаната повърхност надолу, за да не попаднат стружки в тръбата.

- 4.1.3 Разширете с помощта на инструментите, както е показано по-долу.

Външен диаметър	A (mm)	
	Макс.	Мин.
Ø6,35 mm	8,7	8,3
Ø9,52 mm	12,4	12,0
Ø12,7 mm	15,8	15,4
Ø15,88 mm	19,0	18,6
Ø19,05 mm	23,3	22,9



- 4.1.4 Проверете дали разширяването е направено правилно. Вижте по-долу примери за неправилно разширени тръби.



### ВНИМАНИЕ

- При необходимост от спояване с твърд припой, използвайте продухване с азот.
- Неправилният въртящ момент ще причини увреждане на разширението или теч на газ.

### 4.2 РАБОТА ПО ТРЪБИТЕ

- 4.2.1 Подравнете центъра за затягане на конусната гайка и завършете свързването с помощта на два гаечни ключа.



Големина на тръбата	Въртящ момент
Ø6,35 mm	18 ~ 20 N.m
Ø9,52 mm	25 ~ 26 N.m
Ø12,7 mm	35 ~ 36 N.m
Ø15,88 mm	45 ~ 47 N.m
Ø19,05 mm	65 ~ 67 N.m

- 4.2.2 Изберете подходящ изолационен материал за тръбата на хладилния агент (Мин. 10 mm, термоизолираща пяна С)

- Използвайте отделни термоизолирани тръби за газ и течности.
- Дебелината по-горе е стандартна за температура на закрито 27 °C и влажност 80%. Ако монтирате при неблагоприятни условия, като например в близост до бани, кухни и други подобни места, подсилете изолацията.
- Термоустойчивостта на изолацията трябва да бъде над 120 °C.
- Използвайте лепила при свързващата част на изолацията, за да предпазите от проникване на влага.
- Ремонтнайте и покрийте всички евентуални пукнатини в изолацията; специално проверете прегънатата част или окачването на тръбата.

## 4. ТРЪБОПРОВОД НА ХЛАДИЛНИЯ АГЕНТ

Carrier

BC

### 4.3 ТРЪБОПРОВОД НА ХЛАДИЛНИЯ АГЕНТ

Забележка: Хладилният агент трябва да се зарежда през сервисния отвор на вентила за ниско налягане на външното тяло.

	Минимална дължина за намаляване на излишното вибриране и шум	Дължина на тръбите без допълване	Допълнително удължаване на метър	
			Страна с течност: Ø6,35 mm	Страна с течност: Ø9,52 mm
R32*	3 m	5m	12g	24g

\* Моля, използвайте инструменти за система R32.

#### ЗАБЕЛЕЖКА

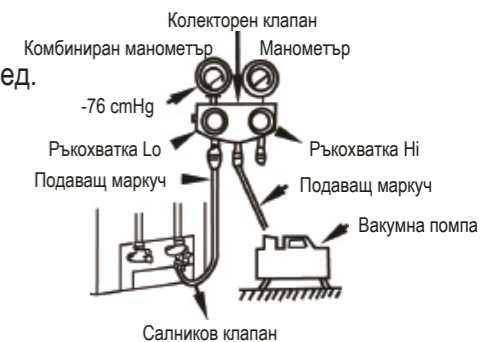
- Увеличената дължина на свързващата тръба има значение за капацитета и енергийната ефективност на уреда.
- Номиналният КПД се тества на базата на тръба с дължина 5 метра.
- Когато дължината на тръбата е над 5 m, трябва да се добави допълнителен хладилен агент в зависимост от дължината.
- Препоръчителната максимална дължина на тръбата е дадена по-долу.

Модел	R32 инвертор	
	Макс. дължина на тръбите (m)	Макс. разлика във височината (m)
9K/12K	25	10

\* Моля, използвайте инструменти за система R32.

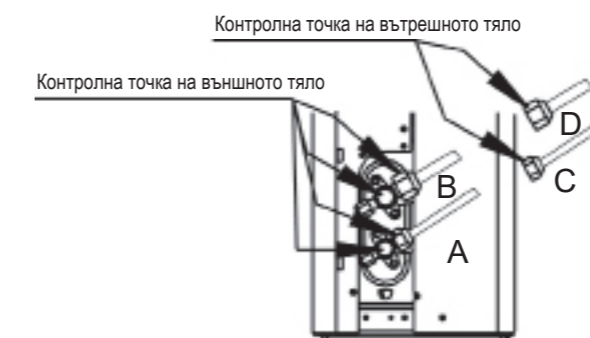
### 4.4 ОБЕЗВЪЗДУШАВАНЕ

- Свържете подаващия маркуч от колекторния измервателен уред със сервисния порт на салниковия клапан на страната с газ.
- Свържете подаващия маркуч с порта на вакумната помпа.
- Отворете до край ръкохватката Lo на колекторния измервателен уред.
- Включете вакумната помпа, за да изтеглите въздуха от системата до 76 cmHg.
- Затворете ръкохватката Lo на колекторния измервателен уред.
- Отворете до край стеблото на салниковите клапани.
- Демонтирайте подаващия маркуч от сервисния порт.
- Затегнете надеждно капачките на салниковия клапан.



### 4.5 ТЕСТ ЗА ТЕЧ

След приключване на дейностите по тръбопровода задължително проверете свързващата част на всяка тръба за хладилен агент и се убедете, че няма теч на газ, като нанесете по тях сапунена вода или с помощта на детектор за теч, специфичен за хладилните агенти HFC. Вижте фигурата по-долу за илюстрация.



A: Спирателен вентил за ниско налягане  
C и D: Конусни гайки на вътрешното тяло

B: Спирателен вентил за високо налягане

## ⚠ ВНИМАНИЕ

- Всички електрически връзки трябва да бъдат извършени от квалифицирани монтьори и всички проводници трябва да бъдат свързани в съответствие с електромонтажната схема.
- Направете заземяване преди всички други електрически връзки.
- Всички електрозахранващи източници трябва да бъдат изключени преди дейностите по свързване на проводниците. Не включвайте електрозахранването, докато не сте се убедили, че всички връзки на проводниците са проверени за безопасност.
- Трябва да се монтира главен ключ и прекъсвач или предпазител, като капацитетът трябва да е повече от 1,5 пъти от максималния ток във веригата.
- Трябва да се използва независима разпределителна верига и единичен контакт, който е предназначен само за този уред.
- Напречното сечение на кабелите зависи от номиналния ток и от националните и местните стандарти на електрическата мрежа. Направете справка в местните правила за строителните дейности и в националните правила за електрическите съоръжения, за да се запознаете със специалните изисквания.
- Ако захранващият кабел е повреден, той трябва да се смени от производителя, от негов сервизен представител или от лице с подобна квалификация, за да се избегне евентуална опасност.
- Уредът трябва да се свърже към централното електрозахранване посредством прекъсвач или ключ, като разстоянието между полюсите да е минимум 3 mm. Препоръчва се монтирането на устройства за защита срещу остатъчен ток, действащи се при остатъчен ток, който не надвишава 30mA.
- Този уред включва заземяване само за функционални цели.

### ■ Номинален ток за всеки модел

Модел	Номинален ток (A)	Мощност на предпазителя (A)	Входен електрозахранващ кабел (с мин. сечение)	Свързващ кабел (с мин. сечение)
38QHP09E8S-1	13,0	20	3*1,5 mm <sup>2</sup>	5*1,5 mm <sup>2</sup>
38QHP12E8S-1	13,0	20	3*1,5 mm <sup>2</sup>	5*1,5 mm <sup>2</sup>

### БЕЛЕЖКА:

1. Всички захранващи кабели трябва да отговарят по размер на националните и местните стандарти на електрическата мрежа. Направете справка с местните правила за строителните дейности и с националните правила за електрическите съоръжения, за да се запознаете със специалните изисквания.
2. Захранващият и свързващият кабел на външното тяло трябва да са тип H07RN-F.
3. Номиналният ток на уреда е посочен на фирмената табелка.
4. Спецификацията на предпазителя за външния модул е T20A / 250VAC (важи само за агрегати adpot R32) Забележка: Предпазителът е изработен от керамика.



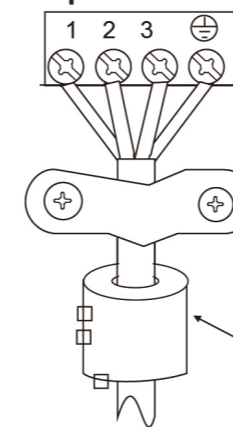
### ■ Схема на връзките

Модел	Вътрешно тяло	Външно тяло
QHP09 QHP12		

## ■ Монтаж на магнитния пръстен

Забележка: Клеморедът може да се различава според моделите.

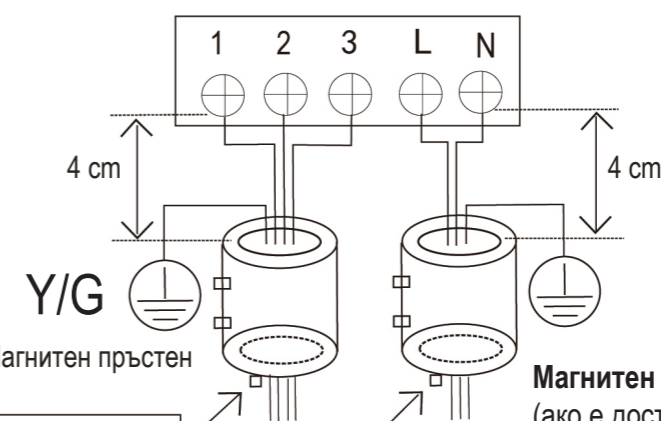
### Вътрешно тяло



### Магнитен пръстен

(ако е доставен и опакован с аксесоарите)  
Пъхнете колана през отвора на магнитния пръстен, за да го фиксирате върху кабела

### Външно тяло



Пъхнете колана през отвора на магнитния пръстен, за да го фиксирате върху кабела

Магнитен пръстен  
(ако е доставен и опакован с аксесоарите)

## 6. ФИНАЛНА ПРОВЕРКА И ПРОБЕН ПУСК

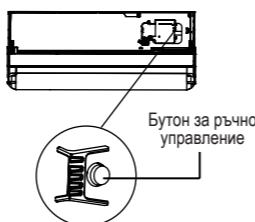
## 7. ИНФОРМАЦИЯ ОТНОСНО СЕРВИЗНОТО ОБСЛУЖВАНЕ



### 6.1 СПИСЪК НА ФИНАЛНИТЕ ПРОВЕРКИ

За да приключите монтажа, изпълнете следните проверки преди пробния пуск:

- Якост на монтажа вътре и навън, липса на препятствия за излизания или влизания въздух.
- Затегнатост на свързването на тръбопровода за хладилен агент и липса на теч
- Правилно извършени електрически връзки и заземяване на уреда
- Проверка на общата дължина на тръбопровода и записване на обема на допълнително заредения хладилен агент
- Електрозахранването трябва да съответства на номиналното напрежение на климатика
- Изолация на тръбата
- Дренаж



### 6.2 РЪЧНО УПРАВЛЕНИЕ

Ръчното управление може да се осъществява с натискане на бутона за ръчно управление

Натиснете бутона за ръчно управление последователно няколко пъти, за да промените режима на работа, както следва:

- Еднократно = автоматичен режим [отопление, охлаждане или вентилатор 24 °C и автоматична скорост на вентилатора.
- Двукратно = режим COOLING (охлаждане) [превключва се в автоматичен режим след 30 минути (използва се предимно за пробен пуск)].
- Трикратно = OFF (изключване).

### 6.3 ПРОБЕН ПУСК

Включете климатика в режим за COOLING (охлаждане) с дистанционното управление (или с бутона за ръчно управление) и проверете текущия статус на вътрешното и на външното тяло. В случай на някаква неизправност я отстранете съобразно глава „Отстраняване на неизправности“ в „Ръководството за сервизно обслужване“.

#### Вътрешно тяло

- Дали бутоните (като например ON/OFF (вкл./изкл.), MODE (режим), TEMPERATURE (температура), FAN SPEED (обороты на вентилатора) и др.) на дистанционното управление работят добре.
- Дали пластината се движи нормално.
- Дали стайната температура е настроена добре.
- Дали индикаторните светлини на панела на дисплея са нормални.
- Дали „ръчният“ бутон работи добре.
- Дали дренажът е нормален.
- Дали по време на работа има вибрации или ненормален шум.
- Дали вътрешното тяло работи добре в режимите за охлаждане и отопление.

#### Външно тяло

- Дали по време на работа има вибрации или ненормален шум.
- Дали въздушната струя, шумът или кондензът, генерирани от климатика, безпокоят съседите.
- Дали има изтичане на хладилен агент.

#### ⚠ ВНИМАНИЕ

- Когато рестартирате уреда, ще има около 3 минути закъснение на старта с цел защита.

### 7.1 ПРОВЕРКИ В ЗОНАТА

Преди да се започне работа по системи, съдържащи запалими хладилни агенти, трябва да се проведат проверки на безопасност, за да се минимизира рискът от запалване. При поправяне на охладителната система трябва да се спазват следните предпазни мерки, преди да се провежда работа по системата.

### 7.2 ПРОЦЕДУРА ЗА РАБОТА

Работата трябва да се предприема по контролирана процедура, за да се минимизира рискът от това да има запалим газ или изпарения при извършването на работата.

### 7.3 ОБЩА РАБОТНА ПЛОЩ

Целият персонал и другите хора, които работят в близост, трябва да бъдат инструктирани във връзка с естеството на извършваната работа. Трябва да се избягва работа в затворени пространства. Зоната около работното място трябва да бъде заградена. Уверете се, че условията в зоната са обезопасени чрез контролиране на запалимите материали.

### 7.4 ПРОВЕРКА ЗА НАЛИЧИЕТО НА ХЛАДИЛЕН АГЕНТ

Зоната трябва да бъде проверена с подходящия детектор на охладител преди и по време на работа, за да бъде техникът напълно запознат с потенциално запалимата атмосфера. Уверете се, че използваното оборудване за откриване на течове е подходящо за употреба със запалими хладилни агенти, т.е. да не изпуска искри, да е пломбирано правилно или да е искробезопасно.

### 7.5 НАЛИЧНОСТ НА ПОЖАРОГАСИТЕЛ

Ако ще се извършва работа на висока температура върху оборудването на хладилния агент или на свързани с него части, трябва да е на разположение подходящо пожарогасително оборудване. Пригответе сух прах или пожарогасител с въглероден диоксид близо до зоната за зареждане.

### 7.6 ЛИПСА НА ИЗТОЧНИЦИ НА ЗАПАЛВАНЕ

При извършването на работа във връзка с охладителна система, която включва откриването на каквато и да е тръба, която съдържа или е съдържала запалим охладителен агент, не трябва да се използват никакви източници на запалване по начин, който може да създаде риск от пожар или взрив. Всички възможни източници на запалване, включително тютюнопушенето, трябва да бъдат на достатъчно разстояние от мястото на монтиране, поправка, отстраняване и изхвърляне, по време на които е възможно да се освободи запалим хладилен агент във въздуха. Зоната около оборудването трябва да бъде прегледана преди започването на работа, за да е сигурно, че не са налични опасности във връзка със запалимост или рискове от запалване. Трябва да бъдат поставени знаци „ПУШЕНЕТО ЗАБРАНЕНО“.

### 7.7 ВЕНТИЛИРАНА ЗОНА

Уверете се, че зоната е открита или че е достатъчно проветрена, преди да прекъснете системата или да започнете работа при високи температури. По време на ремонтните работи трябва да продължи да се осъществява известна степен на вентилация. Вентилацията трябва безопасно да разпръсне всяко количество освободен хладилен агент, като е препоръчително той да бъде отделен външно в атмосферата.

### 7.8 ПРОВЕРКИ НА ХЛАДИЛНОТО ОБОРУДВАНЕ

Когато е необходима смяна на електрически компоненти, те трябва да са годни за целта и да отговарят на съответните спецификации. Указанията на производителя за поддръжката и сервизното обслужване трябва да се спазват винаги. При съмнения се консултирайте с техническия отдел на производителя за помощ. За инсталации, които използват запалими хладилни агенти, трябва да се прилагат следните проверки:

- дали количеството на зареждане съответства на размера на помещението, в което се инсталират частите, съдържащи хладилен агент;
- дали вентилационната система и отдушниците работят правилно и не са запушени;
- ако се използва непряк кръг на хладилния агент, вторичните кръгове трябва да се проверяват за наличието на хладилен агент; дали маркировката на оборудването все още е видима и четлива.
- да се коригират обозначенията и знаците, които са нечетливи;
- дали охладителните тръбопроводи или компоненти са монтирани на място, където няма вероятност да са изложени на контакт с вещества, които могат да доведат до корозия на компонентите, съдържащи хладилен агент, освен ако компонентите не са изработени от материали, които са устойчиви на корозия или имат подходящата защита срещу корозия.

### 7.9 ПРОВЕРКИ НА ЕЛЕКТРИЧЕСКИТЕ УРЕДИ

Ремонтите на електрическите компоненти ще включват първоначални проверки на безопасност и процедури за инспекция на компонентите. Ако съществува повреда, която може да компрометира безопасността, към веригата не трябва да е свързват никакви електрически уреди, докато проблемът не бъде отстранен. В случай че повредата не може да бъде отстранена незабавно, а е необходимо уредът да продължи работа, следва да бъде приложено адекватно временно решение. Това следва да бъде съобщено на притежателя на оборудването, за да бъдат информирани всички страни.

#### Първоначалните проверки на безопасност трябва да включват:

- източване на кондензаторите: това трябва да се извършва по безопасен начин, за да се избегне възможността от изпускане на искри
- проверка за оголени електрически компоненти и кабели под напрежение по време на зареждането, възстановяването или продухването на системата;
- проверка за непрекъснатост на заземяването.

### 7.10 РЕМОНТ НА КОМПОНЕНТИ С УПЛЪТНЕНИЕ

- 10.1 При ремонтни работи по компоненти с уплътнение всяко електрическо захранване трябва да бъде изключено от уреда, по който се работи, преди всякакво сваляне на затворени капацити и т.н. Ако е абсолютно наложително да има електрическо захранване към уреда по време на сервизното обслужване, трябва да се използва някакъв вид постоянно работещо оборудване за откриване на течове, разположено в най-критичната точка, което да предупреждава за потенциално опасни ситуации.
- 10.2 Трябва да се обръща особено внимание на следното, за да се гарантира, че корпусът не е променен при работата над електрическите компоненти по такъв начин, че да е засегнато нивото на защита. Това включва повреда на кабелите, прекалено голям брой връзки, терминали, които не отговарят на оригиналните спецификации, повреда в уплътненията, неправилно монтиране на връзки и т.н.
- Уверете се, че апаратът е монтиран надеждно.
  - Уверете се, че уплътненията и уплътнителните материали не са повредени дотолкова, че вече да не предотвратяват навлизането на запалима атмосфера. Резервните части трябва да отговарят на спецификациите на производителя.

**ЗАБЕЛЕЖКА:** Употребата на силиконов уплътнител може да намали ефективността на някои видове оборудване за откриване на течове.

Искробезопасните компоненти не се нуждаят от изолиране, преди да се започне работа по тях.

### 7.11 РЕМОНТ НА ИСКРОБЕЗОПАСНИТЕ КОМПОНЕНТИ

Не използвайте постоянен индуктивен или капацитетен товар във веригата, без да се уверите, че той няма да надвиши допустимото напрежение и тока, които са позволени за използването на оборудването. Искробезопасните компоненти са единствените видове, по които може да се работи под напрежение при наличието на запалима атмосфера. Апаратурата за изпитване трябва да има правилната класификация. Компонентите трябва да се заменят само с части, посочени от производителя. Други части могат да доведат до запалване на хладилния агент в атмосферата от теч.



### 7.12 ОКАБЕЛЯВАНЕ

Уверете се, че кабелите няма да са изложени на износване, корозия, прекомерно налягане, вибрации, остри ръбове или друг вид неблагоприятни ефекти на околната среда. Проверката трябва също така да вземе предвид ефектите от стареенето или продължителното вибриране, причинено от източници като компресори или вентилатори.

### 7.13 ОТКРИВАНЕ НА ЗАПАЛИМИ ХЛАДИЛНИ АГЕНТИ

В никакъв случай не трябва да се използват потенциални източници на запалване при търсенето на изтичане на хладилен агент. Не трябва да се използва халидна горелка (или друг вид оборудване за откриване на течове с открит пламък).

### 7.14 МЕТОДИ ЗА ОТКРИВАНЕ НА ТЕЧОВЕ

Следните методи за откриване на течове са приемливи за системи, които съдържат запалими хладилни агенти. За откриването на запалими хладилни агенти трябва да се използват електронни детектори за откриване на течове, но чувствителността може да не е подходяща или да има нужда от калибриране. (Оборудването за откриване на течове трябва да се извършва в зона без наличие на хладилен агент.) Уверете се, че детекторът не е потенциален източник на запалване, както и че е подходящ за хладилния агент. Оборудването на откриване на течове трябва да се настройва на процента на ниската граница на запалимост за хладилния агент и да се калибрира спрямо използвания хладилен агент, както и да се потвърди подходящия процент на газ (максимум 25%). Течностите за откриване на течове са подходящи за употреба с повечето хладилни агенти, но употребата на препарати със съдържание на хлор трябва да се избягва, тъй като хлорът може да взаимодейства с хладилния агент и да доведе до корозия на медните тръбопроводи. Ако има подозрения за теч, всички открити пламъци трябва да се отстранят или изгасят. Ако бъде открит теч на хладилен агент, който налага запояване, цялото количество хладилен агент трябва да бъде изведено от системата или изолирано (чрез спирателни вентили) в част от системата, която е далеч от теча. След това безкислородният азот трябва да се продуха през системата както преди, така и по време на процеса на запояване.

### 7.15 ОТСТРАНЯВАНЕ И ОБЕЗВЪЗДУШАВАНЕ

При нарушаване на кръга на хладилния агент за ремонтни дейности или по друга причина трябва да се прилагат конвенционални процедури. Важно е обаче да се прилагат най-добрите практики, тъй като трябва да се вземе предвид запалимостта. Трябва да се спазва следната процедура:

- отстранете хладилния агент;
- продухайте веригата с инертен газ;
- обезвъздушете;
- продухайте отново с инертен газ;
- отворете веригата чрез сръзване или запояване.

Зареденият хладилен агент трябва да бъде източен в правилните цилиндри за извличане. Системата трябва да се прочисти с безкислороден азот, за да се обезопаси уредът. Може да се наложи да повторите този процес няколко пъти.

За тази цел не трябва да се използва сгъстен въздух или кислород.

Прочистването трябва да се извърши, като се наруши вакуумът в системата с безкислороден азот, като пълненето трябва да продължи, докато се постигне работното налягане. След това се обезвъздушава към атмосферата и накрая се изтегля въздухът до възвръщане на вакуума. Този процес трябва да се повтаря, докато не остане никакъв хладилен агент в системата.

Когато се използва последният заряд безкислороден азот, системата трябва да бъде обезвъздушена до постигане на атмосферно налягане, за да се позволи извършването на работа. Тази операция е напълно задължителна, ако ще се извършват запойтелни дейности по тръбите. Уверете се, че отворът за вакуумната помпа не е затворен за източници на запалване, както и че е налична вентилация.

## 7.16 ПРОЦЕДУРИ НА ЗАРЕЖДАНЕ

Освен конвенционалните процедури на зареждане трябва да се спазват следните изисквания:

- Уверете се, че няма други замърсявания освен хладилния агент при употреба на оборудването за зареждане. Маркучите и тръбите трябва да са възможно най-кратки, за да се минимизира съдържанието на хладилен агент в тях.
- Цилиндри трябва да се държат в изправено положение.
- Уверете се, че охладителната система е заземена, преди да заредите системата с хладилен агент.
- Поставете означение на системата, след като приключи зареждането (ако няма такова).
- Трябва изключително много да се внимава да не се препълни охладителната система.
- Преди презареждане на системата, налягането трябва да бъде изпитано с безкислороден азот. Системата трябва да бъде проверена за течове, след като е завършено зареждането, но преди да се пусне обратно в експлоатация. Контролно изпитване за течове

## 7.17 ИЗВЕЖДАНЕ ОТ ЕКСПЛОАТАЦИЯ

От съществено значение е преди извършването на процедурата техникът да е напълно запознат с оборудването във всичките му детайли. Препоръчана добра практика е всички хладилни агенти да се изведат по безопасен начин. Преди извършването на задачата трябва да се вземе проба от маслото и хладилния агент.

В случай че се наложи анализ преди повторната употреба на възстановения хладилен агент, от съществено значение е наличието на електрическо захранване преди започване на задачата.

- а) Запознайте се с оборудването и неговата експлоатация.
- б) Изолирайте електрическата система
- в) Преди да започнете процедурата, се уверете, че:
  - има налично механично оборудване за боравене с цилиндри с хладилен агент при необходимост;
  - всички лични предпазни средства са на разположение и се използват правилно;
  - процесът на възстановяване се наблюдава през цялото време от компетентно лице;
  - оборудването и цилиндри за възстановяване спазват съответните стандарти.
- г) При възможност изпомпайте охладителната система.
- д) Ако не е възможно постигането на вакуум, направете колектор, за да може хладилният агент да бъде премахнат от различните части на системата.
- е) Уверете се, че цилиндърът се намира на везните, преди да започне процесът на възстановяване.
- ж) Включете машината за възстановяване и работете съгласно инструкциите на производителя.
- з) Не препълвайте цилиндри. (Зареждане с течност до не повече от 80% от обема).
- и) Не надвишавайте минималното работно налягане на цилиндъра дори временно.
- й) След като цилиндри са напълнени правилно и процесът е завършен, уверете се, че цилиндри и оборудването са премахнати от обекта незабавно, както и че всички клапани за изолиране в оборудването са затворени.
- к) Възстановеният хладилен агент не трябва да бъде зареждан в друга охладителна система, освен ако не е бил почистен и проверен.

## 7.18 ОБОЗНАЧАВАНЕ

На оборудването трябва да се постави обозначение, че е изведено от експлоатация, както и че не съдържа хладилен агент. Обозначението трябва да съдържа дата и подпис. Уверете се, че на оборудването има обозначения, които посочват, че оборудването съдържа запалим хладилен агент.

## 7.19 ВЪЗСТАНОВЯВАНЕ

- При отстраняването на хладилен агент от система както за сервизно обслужване, така и при извеждане от експлоатация е препоръчана добра практика всички хладилни агенти да се отстраняват безопасно.
- При прехвърляне на хладилния агент в цилиндри се уверете, че се използват само подходящи цилиндри за възстановяване на хладилен агент. Уверете се, че имате на разположение правилния брой цилиндри за съхранение на цялото количество зареден хладилен агент. Всички цилиндри, които ще бъдат използвани, са предназначени за възстановения хладилен агент и са обозначени за същия агент (като например специалните цилиндри за възстановяването на хладилен агент). Цилиндри трябва да бъдат оборудвани с предпазен клапан и свързани спирателни вентили в изправност.
- Празните цилиндри за възстановяване се обезвъздушават и ако е възможно, се охлаждат, преди да се състои възстановяването.
- Оборудването за възстановяване трябва да бъде в изправност и да разполага с инструкции за наличното оборудване, както и да е подходящо за възстановяването на запалими хладилни агенти. Освен това трябва да е наличен набор от изправни везни за претегляне.
- Маркучите трябва да са оборудвани със съединители с отключващо устройство без наличие на течове и да са в изправност. Преди да използвате машината за възстановяване, проверете дали е в достатъчна изправност, дали е била поддържана в добро състояние и дали свързаните с нея електрически компоненти са уплътнени с цел предотвратяване на запалване при освобождаване на хладилен агент. При съмнения се свържете с производителя.
- Възстановеният хладилен агент трябва да бъде върнат на доставчика на хладилни агенти в правилния цилиндър за възстановяване и трябва да бъде уредено съответното разрешително за транспорт на отпадъци. Не смесвайте хладилните агенти в уредите за възстановяване особено в цилиндри.
- Ако трябва да се премахват компресори или компресорно масло, уверете се, че те са били обезвъздушени в приемлива степен, за да се гарантира, че в смазката няма да остане запалим хладилен агент. Процесът на обезвъздушаване трябва да бъде извършен преди връщането на компресора на доставчиците. За ускоряване на този процес трябва да се прилага само електроподгръване на тялото на компресора. Източването на масло от система трябва да се извършва внимателно.

## 7.20 ТРАНСПОРТИРАНЕ, ОБОЗНАЧАВАНЕ И СЪХРАНЕНИЕ НА ТЕЛАТА

1. Транспортиране на оборудване, което съдържа запалими хладилни агенти  
Спазване на транспортните разпоредби
2. Обозначаване на оборудването със знаци  
Спазване на местните разпоредби
3. Обезвреждане на оборудване чрез запалими хладилни агенти  
Спазване на националните разпоредби
4. Съхранение на оборудването/уредите  
Съхранението на оборудването трябва да се извършва в съответствие с инструкциите на производителя.
5. Съхранение на опаковано (непродадено) оборудване  
Предпазната опаковка за съхранение трябва да е изработена така, че механични повреди на оборудването в опаковката да не могат да причинят течове на хладилния агент. Максималният брой съоръжения, които се позволява да се съхраняват на едно място, ще се определя от местните разпоредби.

Utvrđeno je da je ovaj proizvod usklađen s Direktivom o niskonaponskim uređajima (2014/35/EZ) i Direktivom o elektromagnetskoj kompatibilnosti (2014/30/EZ) Evropske unije.



## Ispravno odlaganje ovog proizvoda (električni i elektronski otpad)

(Kada se klima uređaj koristi u evropskim zemljama, potrebno je pridržavati se smjernica u nastavku.)

- Ova oznaka, prikazana na proizvodu ili u pratećoj dokumentaciji, upućuje na to da se električni i elektronski otpad (WEEE prema direktivi 2012/19/EZ) ne smije miješati s običnim kućnim otpadom. Ovaj uređaj ne smije se odlagati u kućni otpad. Postoji nekoliko mogućnosti za odlaganje:
- 1. Općina je ustanovila punktove za prikupljanje na kojima je moguće odložiti elektronski otpad u najboljem slučaju besplatno za korisnika.
- 2. Prilikom kupovine novog proizvoda prodavac će preuzeti stari proizvod, a eventualno i besplatno.
- 3. Proizvođač će preuzeti stari uređaj da bi ga odložio, a eventualno i besplatno.
- 4. Pošto stari proizvodi sadrže vrijedne resurse, mogu se prodati trgovcima starim željezom. Divlje odlaganje otpada u šumama i krajolicima ugrožava vaše zdravlje kada opasne materije iscure u podzemne vode i prodru u lanac ishrane.

### Ovaj proizvod sadrži fluorirane gasove koji su obuhvaćeni Protokolom iz Kyota

Hemijski naziv gasa	R32
Potencijal globalnog zagrijavanja (GWP) gasa	675

#### ⚠ OPREZ

1. Nalijepite priloženu etiketu rashladnog sredstva na lokaciju za punjenje i/ili pražnjenje.
2. Čitljivo zapišite na etiketi rashladnog sredstva neizbrisivom tintom količinu rashladnog sredstva korištenu za punjenje.
3. Spriječite ispuštanje sadržanog fluoriranog gasa. Pazite da se fluorirani gas tokom instalacije, servisiranja ili odlaganja nikada ne ispušta u atmosferu. Ako se otkrije bilo kakvo curenje sadržanog fluoriranog gasa, curenje treba zaustaviti i kvar što prije popraviti.
4. Pristup ovom proizvodu i njegovo servisiranje smiju obavljati samo kvalificirani serviseri.
5. Bilo kakvo rukovanje fluoriranim gasom u ovom proizvodu, na primjer tokom premještanja proizvoda ili ponovnog punjenja gasom, mora biti u skladu s Uredbom br. 517/2014 (EC) o određenim fluoriranim stakleničkim gasovima i u skladu sa svim relevantnim lokalnim zakonima.
6. Ako je na sistemu instaliran sistem za otkrivanje curenja, provjere curenja moraju se vršiti najmanje jednom svakih 12 mjeseci.
7. Preporučuje se držanje zapisa o svim provjerama curenja na uređaju.

Unutrašnja jedinica	Vanjska jedinica	Nazivni naponi i frekvencije
42QHP09E8S-1	38QHP09E8S-1	220-240V~, 50Hz
42QHP12E8S-1	38QHP12E8S-1	

Proizvođač pridržava pravo da bez prethodnog obavještenja promijeni bilo koju specifikaciju proizvoda.

## SADRŽAJ

1. PRIPREMA ZA INSTALACIJU .....	3
1.1 Mjere predostrožnosti .....	3
1.2 Pribor .....	5
1.3 Izbor mjesta instalacije .....	6
2. INSTALACIJA UNUTRAŠNJE JEDINICE .....	7
2.1 Montažna ploča unutrašnje jedinice .....	7
2.2 Instalacijski proces .....	8
3. INSTALACIJA VANJSKE JEDINICE .....	9
3.1 Dimenzije montiranja vanjske jedinice .....	9
3.2 Prostor potreban za vanjsku jedinicu .....	9
3.3 Vanjsko električno povezivanje .....	10
3.4 Instalacija vanjske jedinice .....	10
3.5 Instalacija cijevi za odvod za vanjsku jedinicu .....	10
4. POSTAVLJANJE CIJEVI ZA SREDSTVO ZA HLAĐENJE .....	11
4.1 Proširenje cijevi .....	11
4.2 Postavljanje cijevi .....	11
4.3 Cijev za sredstvo za hlađenje .....	12
4.4 Pražnjenje zraka iz cijevi .....	12
4.5 Test curenja .....	12
5. OŽIČAVANJE .....	13
6. POSLJEDNJA KONTROLA I PROBNI RAD .....	14
6.1 Lista posljednjih kontrola .....	14
6.2 Ručno upravljanje .....	14
6.3 Probní rad .....	14
7. INFORMACIJE O SERVISIRANJU .....	15



Opres: Rizik od požara samo za rashladnosredstvo R32/R290

## 1.1 MJERE PREDOSTROŽNOSTI

- Instaliranje, pokretanje i servisiranje opreme za klimatizaciju može biti opasno zbog sistemskih pritisaka, električnih komponenti i lokacije opreme (krovovi, uzdignute konstrukcije itd.).
- Ovu opremu trebaju instalirati, pokretati i servisirati samo obučeni, kvalificirani instalateri i servisni mehaničari.
- Prilikom rada na opremi pridržavajte se mjera opreza navedenih u pratećim dokumentima i na oznakama, naljepnicama i etiketama pričvršćenim na opremu.
- Pridržavajte se svih sigurnosnih kodova. Nosite zaštitne naočale i radne rukavice. Prilikom lemljenja držite u blizini mokru krpu i aparat za gašenje požara. Budite oprezni prilikom rukovanja, namještanja i postavljanja glomazne opreme.
- Temeljito pročitajte ovo uputstvo i pridržavajte se svih upozorenja i mjera opreza u pratećim dokumentima i na jedinici. Posebne zahtjeve potražite u lokalnim propisima za građevinarstvo i državnim propisima za elektroinstalacije.

### ! UPOZORENJE

Ovaj simbol ukazuje na mogućnost fizičkih povreda ili gubitka života.

- Rashladni gas teži je od zraka i zamjenjuje kisik. Obilno curenje može dovesti do manjka kisika, posebno u podrumima, te izazvati opasnost od gušenja i ozbiljnih ozljeda ili smrti.
- Ako je klima uređaj instaliran u maloj prostoriji, poduzmite potrebne mjere da biste osigurali da koncentracija iscurjelog sredstva za hlađenje u prostoriji ne prekoračava kritičnu razinu.
- Ako rashladni gas curi tokom instalacije, odmah provjetrite prostoriju.  
Rashladni gas može proizvesti otrovni gas ako dođe u kontakt s vatrom, na primjer iz grijalice, štednjaka ili kuhala. Izloženost tom gasu može prouzrokovati ozbiljnu ozljedu ili smrt.
- Isključite uređaj iz izvora napajanja prije bilo kakvih električarskih radova. Ispravno povežite spojni kabl.  
Pogrešno povezivanje može dovesti do oštećenja električnih dijelova.
- Upotrijebite specificirane kablove za električne spojeve i čvrsto ih priključite na sabirnicu da bi spoj bio zaštićen od vanjskih sila.
- Obavezno uzemljite uređaj.  
Nemojte uzemljavati jedinice preko gasnih i cijevi za vodu, gromobrana ili telefonskih žica. Nepotpuno uzemljenje može izazvati ozbiljnu opasnost od električnog udara, što može rezultirati teškim ozljedama ili smrću.
- Ambalažu odložite na siguran način.  
Materijali u ambalaži, kao što su ekseri i drugi metalni ili drveni dijelovi, mogu izazvati ubodne rane ili druge ozljede. Raskidajte i bacite plastične ambalažne kesice da se djeca ne bi igrala s njima. Djeca koja se igraju s plastičnim kesicama izložena su opasnosti od gušenja.
- Nemojte instalirati uređaj blizu mjesta s visokom koncentracijom zapaljivog gasa ili gasnih para.
- Koristite samo isporučene dijelove za instalaciju ili tačno one koji su navedeni u specifikaciji.  
Korištenjem drugih dijelova može se poremetiti rad uređaja te može doći do curenja, strujnog udara, požara ili oštećenja uređaja.
- Prilikom instaliranja ili premještanja sistema pazite da u rashladni sistem ne dospije zrak ili bilo koja tvar osim specificiranog sredstva za hlađenje (R410A).
- Nipošto ne modificirajte ovu jedinicu uklanjanjem bilo koje sigurnosne zaštite ili zaobilazanjem sigurnosnih prekidača.
- Električarski radovi moraju se izvesti u skladu s priručnikom za instalaciju, državnim i lokalnim propisima za elektroinstalacije.

### ! UPOZORENJE

- Obavezno upotrijebite namjenski sklop za napajanje. Nikada ne koristite utičnicu koju koriste drugi uređaji.
- Da biste izbjegli opasnost od nenamjernog resetiranja sklopke za isključivanje iz struje u slučaju previsoke temperature, ovaj uređaj ne smije se napajati putem vanjskih uređaja za automatsko uključivanje, kao što je tajmer, ili se priključivati na strujno kolo koje komunalne službe redovno isključuju i uključuju.
- Za električne spojeve upotrijebite propisane kablove koji su zaštićeni izolacijskom oblogom i imaju odgovarajuće temperaturno područje.  
Neodgovarajući kablovi mogu dovesti do oticanja struje, pregrijavanja ili požara.
- Za ubrzavanje odleđivanja ili čišćenje nemojte upotrebljavati druga sredstva osim onih koja je preporučio proizvođač.
- Uređaj treba čuvati u prostoriji bez trajno uključenih izvora zapaljenja (na primjer: otvoreni plamen, uključen gasni uređaj ili uključena električna grijalica).
- Nemojte probušiti uređaj i ne izlažite ga vatri.
- Imajte na umu da sredstva za hlađenje mogu biti bezmirisna.
- Uređaj treba čuvati u dobro prozračenoj prostoriji čija veličina odgovara specificiranom prostoru za rad uređaja.
- Za modele sa sredstvom za hlađenje R32:  
Uređaj treba instalirati, pogoniti i čuvati u prostoriji minimalne površine poda od 4 m<sup>2</sup>.  
Uređaj se ne smije instalirati u neprozračenom prostoru manje površine od 4 m<sup>2</sup>.
- Za modele sa sredstvom za hlađenje R290 minimalna površina prostorije iznosi:  
Jedinice s toplotnim kapacitetom ≤ 9000 Btu/h: 13 m<sup>(2)</sup>  
Jedinice s toplotnim kapacitetom > 9000 Btu/h i ≤ 12000 Btu/h: 17 m<sup>(2)</sup>  
Jedinice s toplotnim kapacitetom > 12000 Btu/h i ≤ 18000 Btu/h: 26 m<sup>(2)</sup>  
Jedinice s toplotnim kapacitetom > 18000 Btu/h i ≤ 24000 Btu/h: 35 m<sup>(2)</sup>

### ! OPREZ

Ovaj simbol ukazuje na mogućnost štete na imovini ili ozbiljne posljedice.

- Da biste izbjegli fizičke povrede, pažljivo rukujte dijelovima s oštrim rubovima.
- Nemojte instalirati unutrašnju ili vanjsku jedinicu na mjesto na kojem vladaju posebni okolinski uslovi.
- Nemojte ih instalirati na mjestima koja mogu pojačati nivo buke ili gdje buka i ispušni zrak mogu smetati susjedima.
- Izvedite radove postavljanja cijevi i odvodnih cijevi za kondenzat u skladu s priručnikom za instalaciju.  
Nepravilne cijevi za odvod mogu dovesti do curenja vode i štete na imovini.
- Ne instalirajte klima uređaj na sljedećim mjestima.
  - Mjesta na kojima se nalaze mineralna ulja ili arsenska kiselina
  - Mjesta na kojima se mogu nakupiti korozivni gasovi (kao npr. gas sumporne kiseline), zapaljivi gasovi (npr. razrjeđivač) ili na kojima se rukuje nestabilnim zapaljivim tvarima
  - Mjesta na kojima se nalazi oprema koja generira elektromagnetska polja ili visoke frekvencije
- Uređaj treba skladištiti na način koji onemogućuje nastanak mehaničkih oštećenja.
- Svi koji rade na kružnom toku sredstva za hlađenje ili ga otvaraju moraju imati važeći certifikat ovlaštene institucije za ocjenjivanje kojim se potvrđuje njihova stručnost za sigurno rukovanje sredstvima za hlađenje u skladu s industrijski priznatim specifikacijama ocjenjivanja.

## 1.2 PRIBOR

Sljedeći pribor se isporučuje zajedno s jedinicom. Tip i količina se mogu razlikovati zavisno od specifikacija.

Naziv pribora	Količina (broj dijel.)	Oblik	Naziv pribora	Količina (broj dijel.)	Oblik
Priručnik	3		Daljinski upravljač	1	
Ovodni ispust	1		Baterija	2	
Brta	1		Držač za daljinski upravljač	1	
Instalacijska ploča	1		Vijak B	2	
Dibl	5		Mali filter	1	
Vijak A	5		Magnetni prsten (neke jedinice)	N*	

\* U skladu sa stvarnom količinom

## 1.3 IZBOR MJESTA INSTALACIJE

### Unutrašnja jedinica

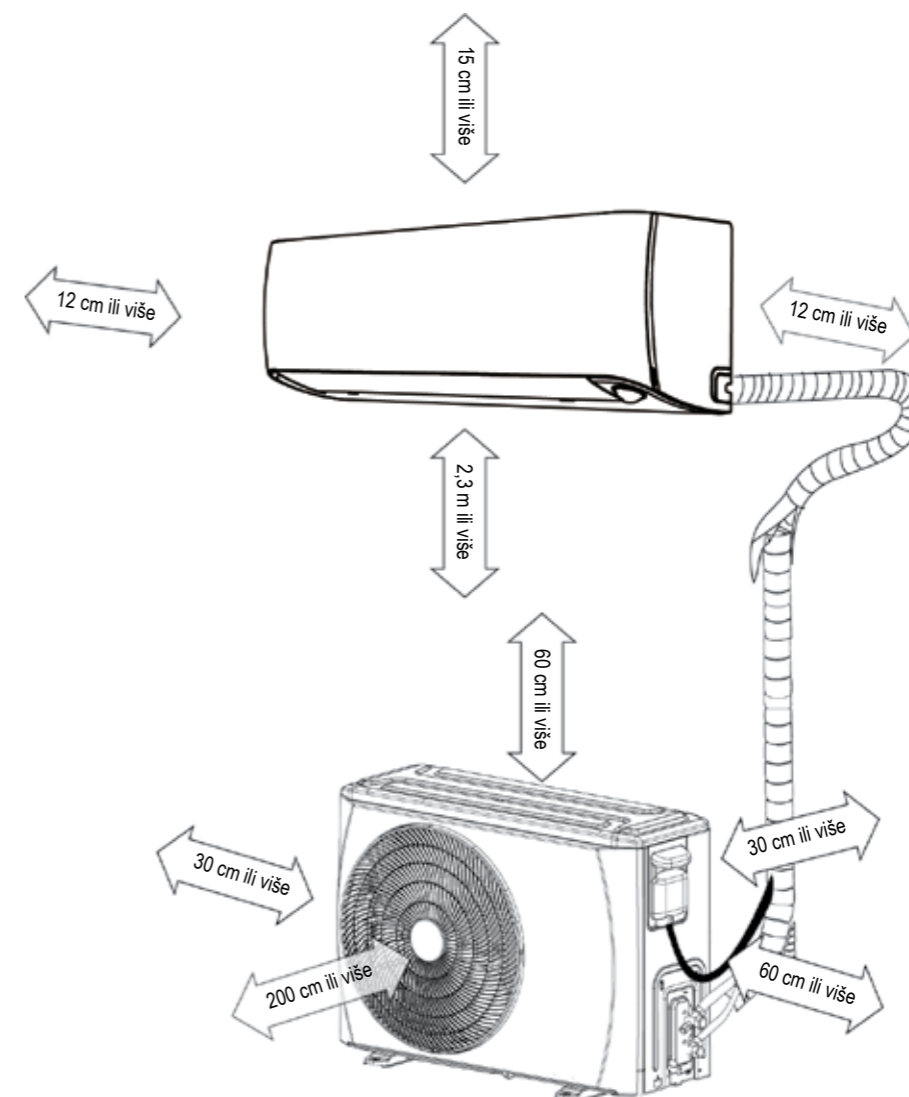
- mjesto koje može podnijeti težinu unutrašnje jedinice;
- Nemojte instalirati unutrašnju jedinicu u blizini direktnog izvora toplote, kao što su direktna sunčeva svjetlost ili aparat za grijanje.
- dovoljno prohodna lokacija, kao na slici u nastavku;
- Pokretni dijelovi uređaja moraju se instalirati/postaviti na minimalnoj visini od 2,3 m (od poda).

### Vanjska jedinica

- mjesto koje je pogodno za instalaciju i nije izloženo snažnom vjetru; Ako je jedinica izložena snažnom vjetru, preporučuje se upotreba vjetrobrana.
- mjesto koje može podnijeti težinu vanjske jedinice i na kojem se jedinica može montirati u vodoravnom položaju;
- dovoljno prohodna lokacija, kao na slici u nastavku;

Nemojte instalirati unutrašnju ili vanjsku jedinicu na mjesto na kojem vladaju posebni okolinski uslovi.

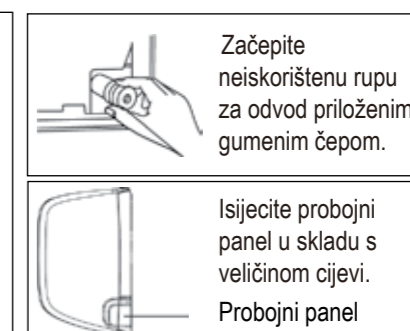
Osigurajte da ima dovoljno mjesta za instalaciju i održavanje.



Napomena: Ostavite slobodan prostor u odnosu na zid, strop, ogradu ili druge prepreke, kao što je naznačeno strelicama.



Postavljanje cijevi moguće je u sljedećim smjerovima: prema nazad, ulijevo, nazad ulijevo, udesno.



Začepite neiskorištenu rupu za odvod priloženim gumenim čepom.

Isijecite probojni panel u skladu s veličinom cijevi. Probojni panel



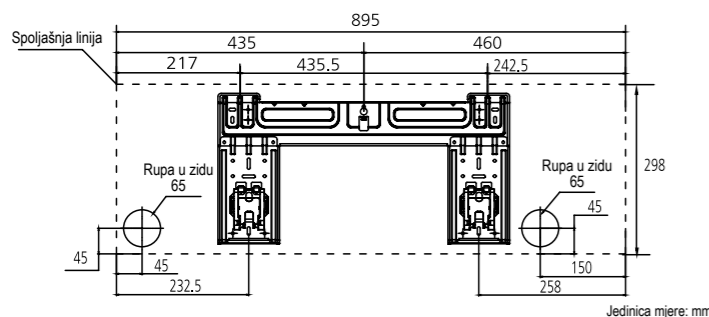
## 2. INSTALACIJA UNUTRAŠNJE JEDINICE

## 2. INSTALACIJA UNUTRAŠNJE JEDINICE

Carrier

BS

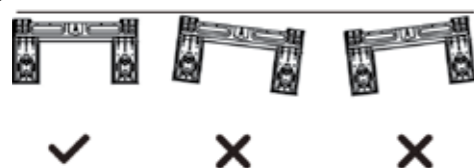
### 2.1 MONTAŽNA PLOČA UNUTRAŠNJE JEDINICE



Napomena: Ako spojna cijev na strani gasa ima prečnik od  $\varnothing 16$  mm (5/8 in) ili veći, rupa za cijev treba imati prečnik od 90 mm (3.54 in).

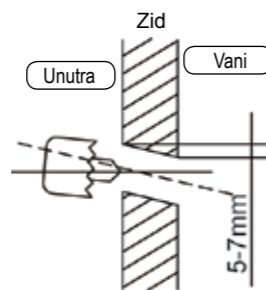
#### ■ Instalirajte montažnu ploču

Pričvrstite montažnu ploču na zid u vodoravnom položaju pomoću pet ili više vijaka vrste A.



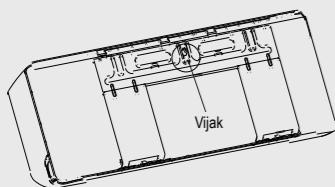
#### ■ Probušite rupu u zidu

Probušite rupu u zidu prečnika 65 mm ili 90 mm (ovisno o modelu) koja je blago nagnuta prema vani.



#### Napomena:

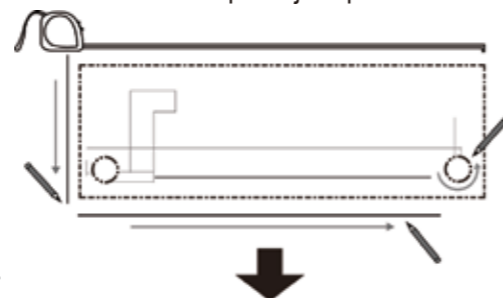
■ Instalacijska ploča je zbog transporta pričvršćena vijkom; prije instalacije uklonite vijak. (pogledajte sliku)



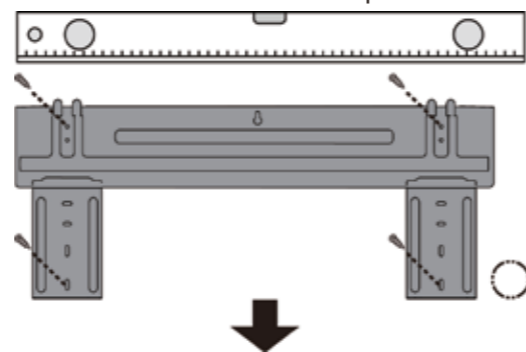
■ Montažna ploča izgledat će kao jedna od sljedećih (ovisi o veličini jedinice). Rupe za diblove trebaju biti prečnika 5 mm.

### 2.2 INSTALACIJSKI PROCES

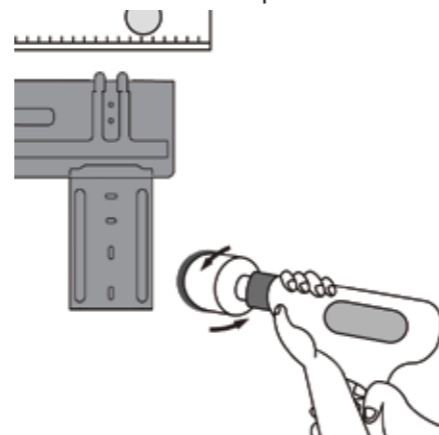
Korak 1: Odredite poziciju rupe u zidu



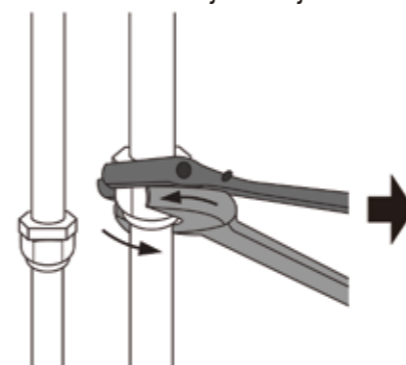
Korak 2: Pričvrstite montažnu ploču



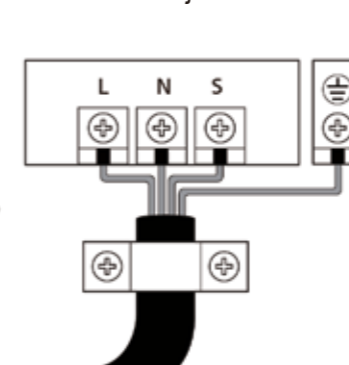
Korak 3: Probušite rupu u zidu



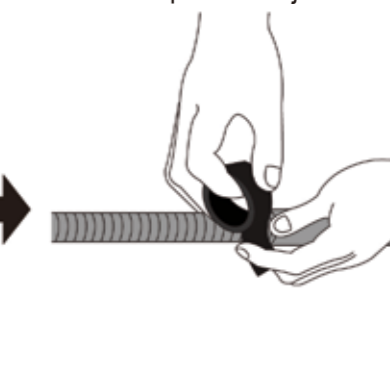
Korak 4: Prikjučite cijev



Korak 5: Priključite žicu



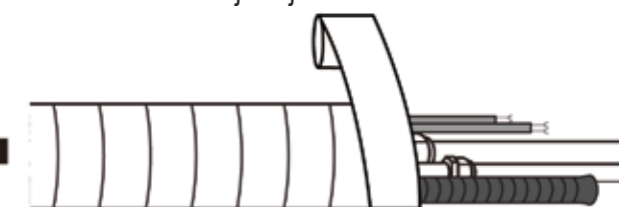
Korak 6: Pripremite crijevo za odvod



Korak 8: Objesite unutrašnju jedinicu

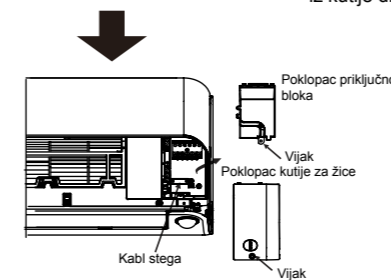
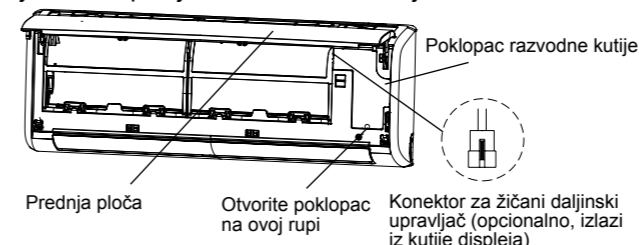


Korak 7: Umotajte cijev i kabl



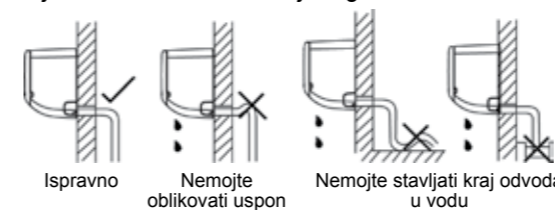
#### ■ Unutrašnje električno povezivanje

1. Podignite prednju ploču unutrašnje jedinice.
2. Otvorite poklopac razvodne kutije unutrašnje jedinice uvlačenjem odvijača kroz rupu, ručno uklonite sabirnicu i uklonite stezaljku kabla otpuštanjem vijaka.
3. Provedite spojne žice sa stražnje strane unutrašnje jedinice i priključite ih na unutrašnju sabirnicu.



#### ■ Odvod

Odvodni vod mora biti cijelom dužinom potpuno prohodan, mora biti nagnut prema dole i izoliran cijelom dužinom do vanjskog zida.



#### ■ Omotajte cijev

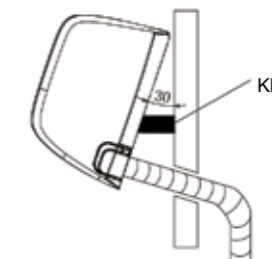
Prikaz ispravnog smjera cijevi za sredstvo za hlađenje, električnih kablova i odvodnih vodova možete vidjeti na slici u nastavku:

- Postavite crijevo za odvod ispod cijevi za sredstvo za hlađenje.
- Pazite da crijevo za odvod nije uzdignuto ili vijugavo.



#### ■ Objesite unutrašnju jedinicu

1. Provedite vodove sredstva za hlađenje kroz rupu u zidu.
2. Objesite unutrašnju jedinicu na gornju kuku montažne ploče, zatim gurnite donji dio unutrašnje jedinice uza zid i smjestite na donju kuku.
3. Pomaknite unutrašnju jedinicu lijevo i desno te gore i dolje da biste provjerili je li čvrsto obješena.



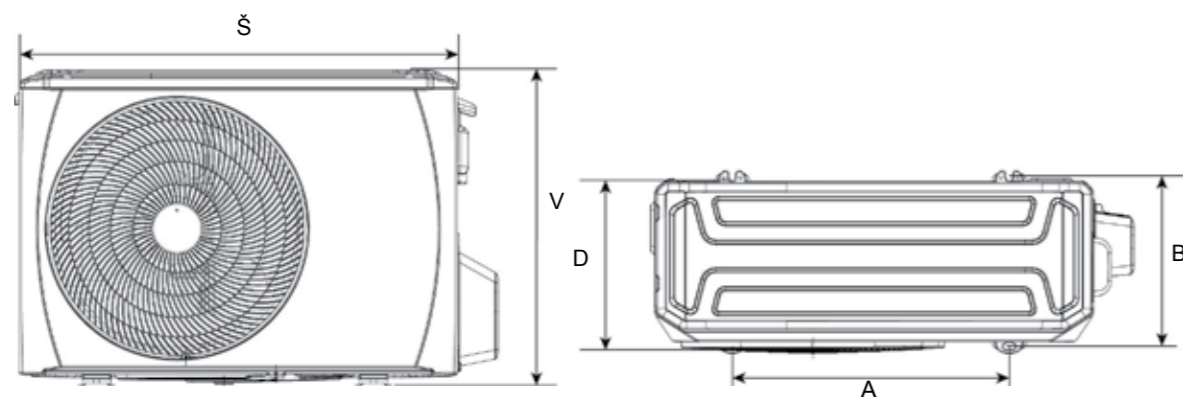
**OPREZ**

■ Dijelovi konektora priključne cijevi moraju se postaviti izvan prostorije.

### 3. INSTALACIJA VANJSKE JEDINICE

#### 3.1 DIMENZIJE MONTAŽE VANJSKE JEDINICE

Dimenzije montaže razlikuju se zavisno od vrste vanjske jedinice.  
Prečnik glave vijka za pričvršćivanje treba biti veći od 12 mm.



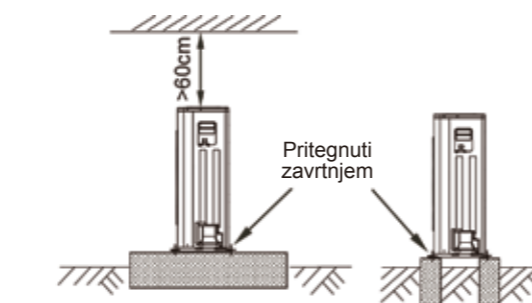
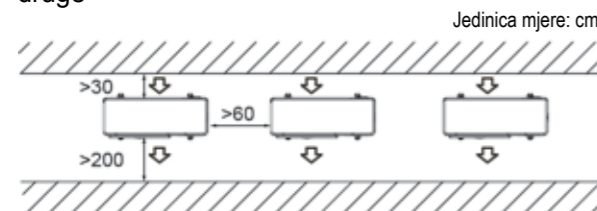
Dimenzije vanjske jedinice (mm)			Dimenzije montaže (mm)		
Vanjska jedinica	Š	V	D	A	B
38QHP09E8S-1 38QHP12E8S-1	805	554	330	511	317

#### 3.2 POTREBAN PROSTOR ZA VANJSKU JEDINICU

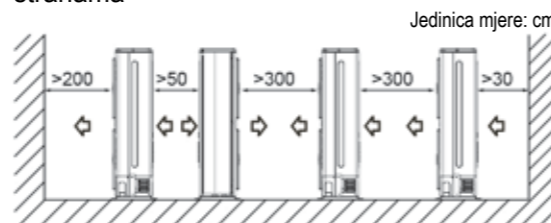
Instalacija jedne jedinice



Povezati dvije jedinice paralelno ili jednu iznad druge



Paralelno povezati prednje sa stražnjim stranama



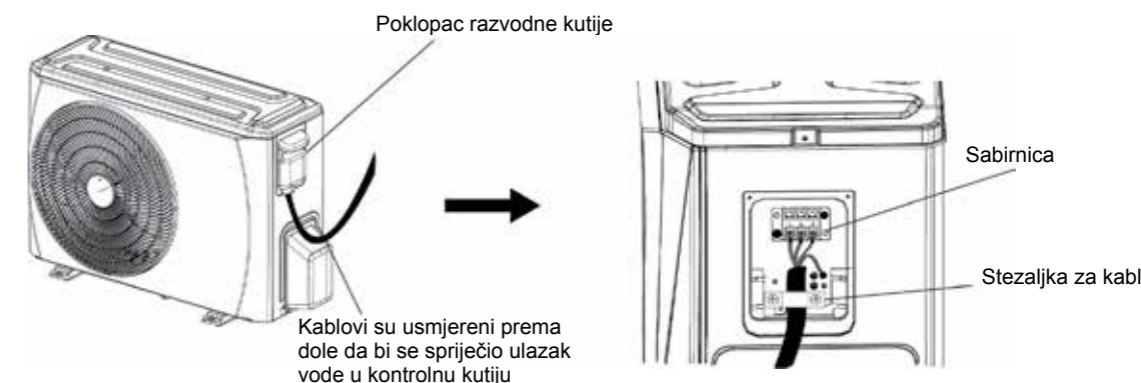
#### OPREZ

- U krajevima s puno snijega i hladnim temperaturama nemojte instalirati vanjsku jedinicu na mjestima na kojima je može zatrpati snijeg. Ako se očekuju obilne snježne padavine, potrebno je postaviti postolje za slučaj leda ili snijega i/ili vjetrobran (nije uključen u paket) radi sprečavanja nakupljanja snijega i/ili blokiranja otvora za dovod zraka na jedinici.

### 3. INSTALACIJA VANJSKE JEDINICE

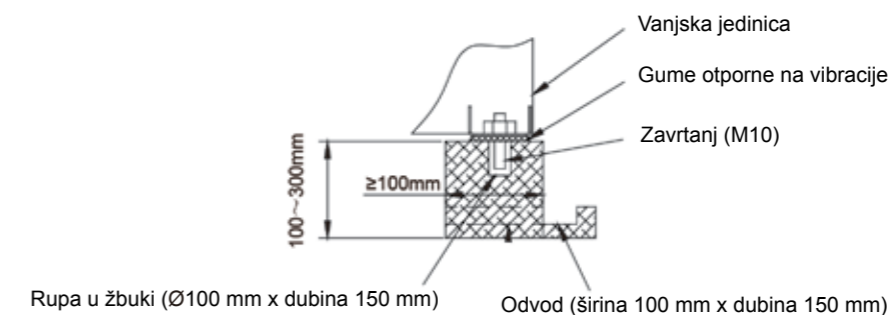
#### 3.3 VANJSKO ELEKTRIČNO POVEZIVANJE

- Uklonite poklopac razvodne kutije i stezaljku kabla otpuštanjem vijaka.
- Priključite žice na vanjsku sabirnicu istim redoslijedom kao i za unutrašnju jedinicu.



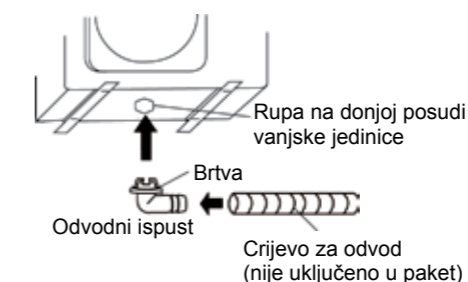
#### 3.4 INSTALACIJA VANJSKE JEDINICE

- Prije instalacije provjerite jačinu baze i uvjerite se da je postavljena potpuno horizontalno da se ne bi stvarao nenormalan zvuk.
- Dobro pričvrstite bazu zavrtanjima (M10) da se ne bi srušila.
- Instalirajte osnovu i gume otporne na vibracije da biste dali oslonac donjoj površini pričvrstne noge koja je u kontaktu s donjom pločom vanjske jedinice.



#### 3.5 INSTALACIJA CIJEVI ZA ODVOD ZA VANJSKU JEDINICU

- Povežite odvodni ispust s produžnim crijevom za odvod.
- Pričvrstite brtvu na odvodni ispust.
- Umetnite odvodni ispust u rupu na donjoj posudi vanjske jedinice i sigurno ga učvrstite zakretanjem za 90 stepeni.



# 4. POSTAVLJANJE CIJEVI ZA SREDSTVO ZA HLAĐENJE



**OPREZ**

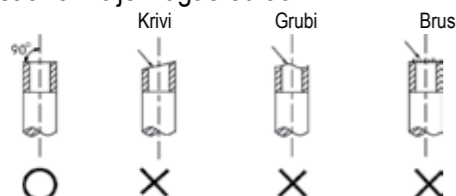
- Provjerite da li visinska razlika između unutrašnje i vanjske jedinice, kao i ukupna dužina cijevi za sredstvo za hlađenje, odgovaraju sistemskim zahtjevima.
- Postavljanje cijevi za sredstvo za hlađenje slijedi nakon instalacije unutrašnje i vanjske jedinice. Prvo spojite cijev s unutrašnjom jedinicom, a nakon toga sa vanjskom.
- Za vrijeme instalacije uvijek držite krajeve cijevi zatvorenim putem poklopca ili pomoću trake i NE uklanjajte ih sve dok niste spremni spojiti cijevi.
- Obavezno izolirajte sve cijevi vani cijelom dužinom do spoja cijevi s unutrašnjošću jedinice. Doticanje oslobođenih dijelova cijevi može prouzrokovati kondenzaciju ili opekotine.
- Kad se vanjska jedinica nalazi u gornjoj poziciji i visinska razlika prekoračava 10 m, preporučuje se postavljanje u gasnoj cijevi cijevnih lukova za povrat ulja u razmacima od 5-8 m. Poluprečnik cijevnog luka za povrat ulja treba biti veći od 10 cm.

## 4.1 PROŠIRIVANJE KRAJEVA CIJEVI

### NAPOMENA

- U alat potreban za proširivanje krajeva cijevi spadaju rezač cijevi, rajbal, alat za proširivanje cijevi i držač cijevi.
- Za modele rashladnih sredstava R32, tačke priključivanja cijevi se moraju postaviti izvan prostorije.

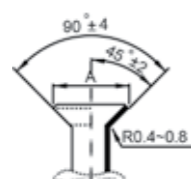
4.1.1 Upotreba rezača cijevi za rezanje cijevi na željenu dužinu. Osigurajte da rub na mjestu rezanja sklapa sa stranom cijevi ugao od 90°.



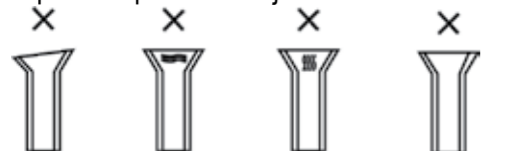
4.1.2 Rajbalom uklonite brusove tako da je rezana površina okrenuta prema dole da komadići ne upadaju u cijev.

4.1.3 Cijevi širite alatom za proširivanje cijevi prema uputama niže u tekstu.

Vanjski prečnik	A(mm)	
	Maks.	Min.
Ø6,35 mm	8,7	8,3
Ø9,52 mm	12,4	12,0
Ø12,7 mm	15,8	15,4
Ø15,88 mm	19,0	18,6
Ø19,05 mm	23,3	22,9



4.1.4 Provjerite da li je proširenje cijevi pravilno sprovedeno. Niže u priručniku se nalazi primjer nepravilno proširenih cijevi.



Nakošena Oštećena površina Napuknuta Nejednaka debljina

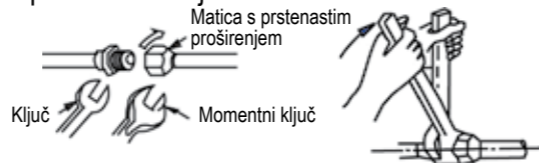


**OPREZ**

- Ako je potrebno lemljenje, upotrijebite nitrogenski gas.
- Pogrešan obrtni moment će dovesti do štete pri proširivanju cijevi ili do curenja gasa.

## 4.2 POSTAVLJANJE CIJEVI

4.2.1 Poravnajte sredinu da biste učvrstili maticu s prstenastim proširenjem i dovršite povezivanje pomoću dva ključa.



Veličina cijevi	Obrtni moment
Ø6,35 mm	18 ~ 20 N.m
Ø9,52 mm	25 ~ 26 N.m
Ø12,7 mm	35 ~ 36 N.m
Ø15,88 mm	45 ~ 47 N.m
Ø19,05 mm	65 ~ 67 N.m

4.2.2 Izaberite odgovarajući izolacijski materijal za cijev za sredstvo za hlađenje (min. 10 mm, toplotno-izolacijska pjena C).

- Upotrijebite različite toplotno-izolacijske cijevi za gas i tekućinu.
- Naprijed navedena debljina je standard za unutrašnju temperaturu od 27 °C i vlagu od 80%. Ako instalirate jedinicu pod nepovoljnim uvjetima, kao što su blizina kupatila, kuhinja ili dr. slične lokacije, pojačajte izolaciju.
- Temperatura otpornosti izolacije na toplotu treba biti viša od 120 °C.
- Nanesite ljepilo na spojni dio izolacije da biste spriječili ulazak vlage.
- Popravite i pokrijte eventualne pukotine u izolaciji, a osobito provjerite savijeni dio i kuku za cijev.

# 4. POSTAVLJANJE CIJEVI ZA SREDSTVO ZA HLAĐENJE

## 4.3 CIJEV ZA SREDSTVO ZA HLAĐENJE

Napomena: Rashladno sredstvo treba puniti saservisnog priključka na ventilu za niski pritisak spoljašnje jedinice.

	Minimalna dužina za smanjivanje nenormalnih vibracija i buke	Dužina cijevi bez sredstva za hlađenje	Dodatno punjenje po metru	
			Strana tekućine: Ø6,35 mm	Strana tekućine: Ø9,52 mm
R32*	3 m	5 m	12 g	24 g

\* Koristite alate za R32 sistem.

### NAPOMENA

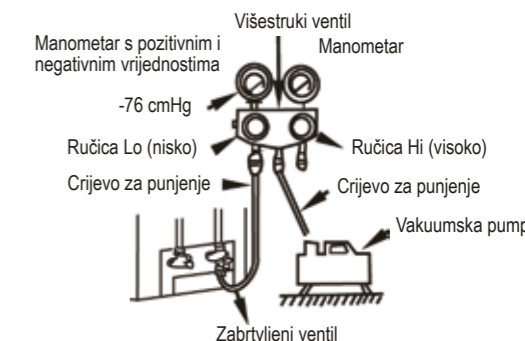
- Dodatna dužina cijevi povećat će kapacitet i energetska efikasnost jedinice.
- Nominalna efikasnost testira se pomoću cijevi dužine 5 metara.
- Ukoliko je cijev duža od 5 m, količina dodatnog sredstva za hlađenje treba ovisiti o dužini cijevi.
- Maksimalna preporučena dužina cijevi navedena je u nastavku.

Modeli	R32 inverter	
	Maks. dužina cijevi (m)	Maks. visinska razlika (m)
9K/12K	25	10

\* Koristite alate za R32 sistem.

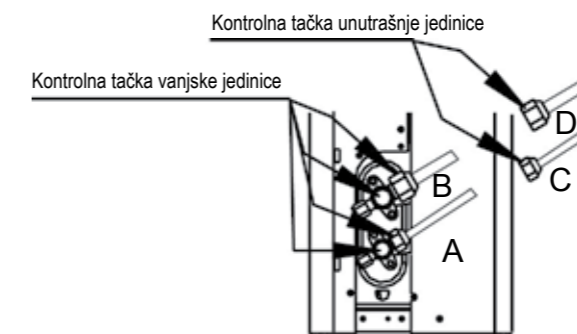
## 4.4 PRAŽNENJE ZRAKA IZ CIJEVI

- Priključite crijevo za punjenje iz višestrukog mjerača na servisni priključak zabrtvljenog ventila sa strane gasnog priključka.
- Priključite crijevo za punjenje na priključak vakuumske pumpe.
- Potpuno otvorite ručicu Lo (nisko) na višestrukom mjeraču.
- Vakuumskom pumpom odzračujte sistem dok ne postignete pritisak od 76 cmHg.
- Zatvorite ručicu Lo (nisko) na višestrukom mjeraču.
- Potpuno otvorite vreteno ventila na zabrtvljenim ventilima.
- Skinite crijevo za punjenje sa servisnog ulaza.
- Dobro zatvorite poklopce zabrtvljenog ventila.



## 4.5 TEST CURENJA

Nakon što je završeno postavljanje cijevi provjerite spoj svake cijevi sredstva za hlađenje i potvrdite da nema curenja gasa tako što na cijevi stavite vodu sa sapunicom ili putem detektora curenja specifičnog za HFC sredstva za hlađenje. Ilustracija se nalazi niže.



A: Ventil za zaustavljanje pri niskom pritisku  
C i D: Maticе s prstenastim proširenjem unutrašnje jedinice

B: Ventil za zaustavljanje pri visokom pritisku


**OPREZ**

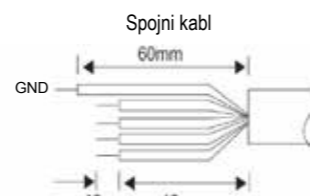
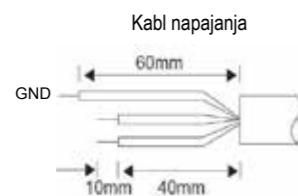
- Sva električna spajanja moraju izvršiti kvalificirani radnici i svi kablovi moraju biti spojeni prema shemi ožičavanja.
- Prije svih drugih električnih spojeva treba izvršiti uzemljenje.
- Svi izvori električne energije moraju biti isključeni prije početka radova ožičavanja. Ne uključujte napajanje električnom energijom dok niste sigurni da je sigurnost svih kablova provjerena.
- Potrebno je instalirati glavni prekidač i automatsku sklopku ili osigurač čiji kapacitet mora biti više od 1,5 puta veći od maksimalne struje u strujnom kolu.
- Mora biti dostupno zasebno strujno kolo i utičnica koja se upotrebljava samo za ovaj uređaj.
- Poprečni presjek žice zavisi od nazivne struje, državnih i lokalnih propisa za elektroinstalacije. Posebne zahtjeve potražite u lokalnim propisima za građevinarstvo i državnim propisima za elektroinstalacije.
- Ukoliko je kabl za napajanje strujom oštećen, mora ga zamijeniti proizvođač, serviser ili osoba sličnih kvalifikacija da bi se izbjegle opasnosti.
- Jedinica se mora povezati s glavnim napajanjem pomoću automatske sklopke ili prekidača, pri čemu razmak između kontakata na svim polovima mora iznositi najmanje 3 mm. Preporučuje se ugradnja zaštitnog uređaja diferencijalne struje (ZUDS) čija nominalna radna struja ne premašuje 30 mA.
- Uzemljenje koje ovaj uređaj sadrži ima isključivo funkcionalnu svrhu.

### ■ Nazivna struja za svaki model

Model	Nazivna struja (A)	Nazivna struja osigurača (A)	Kabl napajanja (s minim. poprečnim presjekom)	Spojni kabl (s minim. poprečnim presjekom)
38QHP09E8S-1	13,0	20	3*1,5 mm <sup>2</sup>	5*1,5 mm <sup>2</sup>
38QHP12E8S-1	13,0	20	3*1,5 mm <sup>2</sup>	5*1,5 mm <sup>2</sup>

### NAPOMENA:

1. Dimenzije svih električnih žica moraju biti u skladu s državnim i lokalnim propisima za elektroinstalacije. Posebne zahtjeve potražite u lokalnim propisima za građevinarstvo i državnim propisima za elektroinstalacije.
2. Vrsta vanjskog kabla za napajanje el. energijom i kabla za povezivanje treba biti H07RN-F.
3. Nazivna struja uređaja navedena je na nazivnoj tabli.
4. Specifikacije osigurača spoljašnje jedinice su T20A/250VAC (važi samo za jedinice rashladnog sredstva R32)  
Napomena: Osigurač je keramički.



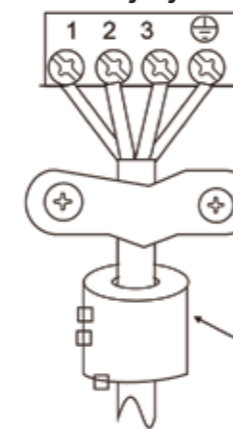
### ■ Dijagram povezivanja

Model	Unutrašnja jedinica	Spoljašnja jedinica
QHP09 QHP12		

### ■ Instalacija magnetnog prstena

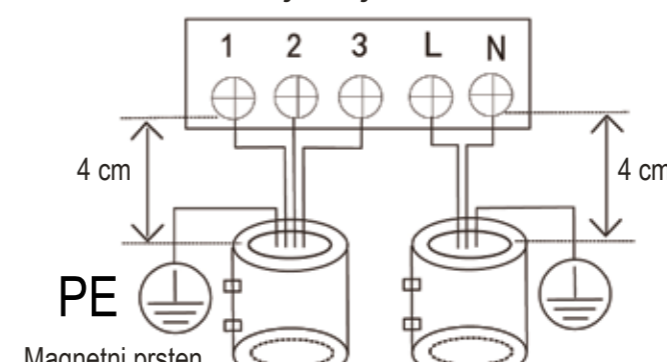
Napomena: Sabirnica se može razlikovati ovisno o modelu.

#### Unutrašnja jedinica



Magnetni prsten  
(ako je uključen u opseg isporuke i zapakovan zajedno s priborom)  
Provucite pojas kroz rupu magnetnog prstena da bi ste ga pričvrstili na kabl

#### Vanjska jedinica



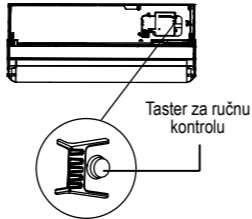
Provucite pojas kroz rupu magnetnog prstena da bi ste ga pričvrstili na kabl

Magnetni prsten  
(ako je uključen u opseg isporuke i zapakovan zajedno s priborom)

### 6.1 LISTA POSLJEDNJIH KONTROLA

Da biste završili instalaciju, provjerite sljedeće stvari prije probnog rada.

- jačina mjesta instalacije kako unutrašnje tako i vanjske jedinice; osigurajte da nema blokada otvora za izlazak ili povrat zraka;
- čvrstoća spoja cijevi za sredstvo za hlađenje; potvrdite da nema curenja;
- Spojevi električnih ožičenja su pravilno izvedeni i jedinica je uzemljena.
- Provjerite ukupnu dužinu cijevi i zabilježite količinu dodatnog sredstva za hlađenje u cijevima.
- Napajanje električnom energijom treba biti u skladu s nazivnim naponom klima uređaja.
- Izolacija cijevi
- Odvod



### 6.2 RUČNO UPRAVLJANJE

Ručno upravljanje može se aktivirati pritiskanjem tipke za ručno upravljanje.

Pritisnite ručnu tipku nekoliko puta da biste promijenili režime rada kako slijedi:

- Jednom = režim rada AUTO [zagrijavanje, hlađenje ili ventiliranje na 24 °C i automatski regulirana brzina ventilatora].
- Dvaput = režim rada HLAĐENJE [prelazi u režim rada AUTOMATSKI nakon 30 minuta (uglavnom se upotrebljava u probne svrhe)].
- Tri puta = ISKLJ.

### 6.3 PROBNI RAD

Podesite klimatizaciju pod režimom rada HLAĐENJE putem daljinskog upravljača (ili tipke za ručno upravljanje) i provjerite status rada kako unutrašnje tako i vanjske jedinice. U slučaju nepravilnosti u radu problem riješite pridržavanjem uputa u poglavlju „Uklanjanje problema“ u „Servisnom priručniku“.

#### Unutrašnja jedinica

- da li tipke (kao što su ON/OFF – UKLJ./ISKLJ., MODE – REŽIM RADA, TEMPERATURE, FAN SPEED – BRZINA VENTILATORA itd.) na daljinskom upravljaču funkcioniraju.
- da li klapna funkcionira normalno;
- da li je sobna temperatura dobro podešena;
- da li su indikacijska svjetla na displej ploči normalna;
- da li tipka „manual“ (ručno upravljanje) funkcionira;
- da li je odvod normalan;
- da li su za vrijeme rada prisutne vibracije ili nenormalni zvukovi;
- da li unutrašnja jedinica radi dobro u režimu rada HLAĐENJE ili GRIJANJE.

#### Vanjska jedinica

- da li su za vrijeme rada prisutne vibracije ili nenormalni zvukovi;
- da li protok zraka, buka ili kondenzat klima uređaja uznemiravaju vaše susjedstvo;
- da li je prisutno curenje sredstva za hlađenje;



**OPREZ**

- Pri ponovnom pokretanju jedinice doći će do kašnjenja uključenja kompresora za otprilike 3 minute da biste se mogli skloniti na sigurno mjesto.

### 7.1 PROVJERE PODRUČJA

Prije početka rada na sistemima koja sadrže zapaljiva sredstva za hlađenje potrebno je izvršiti sigurnosne provjere radi minimaliziranja rizika od zapaljenja. Prije popravaka rashladnog sistema potrebno je poduzeti sljedeće sigurnosne mjere.

### 7.2 RADNI POSTUPAK

Radove je potrebno provoditi kontroliranim postupkom da bi se minimalizirao rizik od curenja zapaljivog gasa ili para za vrijeme radova.

### 7.3 OPĆE RADNO PODRUČJE

Svo osoblje koje radi na održavanju i drugo osoblje koje radi na području instalacije klima uređaja treba biti upućeno u prirodu posla koji se izvodi. Treba izbjegavati izvođenje radova u uskim prostorima. Radno područje treba ograditi. Uvjerite se da je radno područje osigurano od zapaljivih materijala.

### 7.4 ISPITIVANJE PRISUTNOSTI SREDSTVA ZA HLAĐENJE

Prije i za vrijeme rada treba provjeriti područje odgovarajućim detektorom sredstava za hlađenje da bi tehničari bili pravovremeno upoznati s eventualnom prisutnošću zapaljivih atmosfera. Uvjerite se da je oprema za otkrivanje curenja koja se koristi pogodna za upotrebu sa zapaljivim sredstvima za hlađenje, tj. da ne varniči, da je ispravno zabtrvljena i intrinzično sigurna.

### 7.5 PRISUTNOST APARATA ZA GAŠENJE POŽARA

Ako na rashladnoj opremi ili nekom pratećem dijelu treba izvesti radove koji podrazumijevaju visoke temperature, u neposrednoj blizini mora se nalaziti prikladna oprema za gašenje požara. U blizini područja punjenja postavite aparat za gašenje požara sa suhim prahom ili CO<sub>2</sub>.

### 7.6 NISU DOZVOLJENI IZVORI ZAPALJENJA

Niko od osoblja koje izvodi radove na rashladnom sistemu koji podrazumijevaju oslobađanje cijevi koje sadrže ili su sadržale zapaljivo sredstvo za hlađenje ne smije koristiti izvore zapaljenja na način koji može dovesti do požara ili eksplozije. Sve moguće izvore zapaljenja, uključujući cigarete, treba držati dovoljno daleko od mjesta instalacije, popravka, uklanjanja ili odlaganja, radova za vrijeme kojih može doći do izlaska zapaljivog sredstva za hlađenje u okolni prostor. Prije izvođenja radova prostor oko opreme treba pregledati radi utvrđenja opasnosti od zapaljenja. Treba izložiti natpise „ZABRANJENO PUŠENJE“.

### 7.7 PROZRAČENO PODRUČJE

Prije otvaranja sistema ili izvođenja ikakvih radova koja podrazumijevaju visoke temperature uvjerite se da je područje otvoreno i dovoljno prozračeno. Za vrijeme izvođenja radova treba nastaviti prozračivanje u određenoj mjeri. Prozračivanjem se ostaci sredstva za hlađenje trebaju raspršiti i po mogućnosti izbaciti u atmosferu.

### 7.8 PROVJERE RASHLADNE OPREME

Sve zamjenske električne komponente moraju odgovarati namjeni i specifikacijama. U svakom trenutku treba slijediti proizvođačeve smjernice za održavanje i servisiranje. Ako niste sigurni u vezi s nečim, za pomoć se obratite proizvođačevom tehničkom odjelu. Instalacije koje podrazumijevaju upotrebu zapaljivih sredstava za hlađenje trebaju sadržavati sljedeće provjere:

- Veličina punjenja je u skladu s veličinom prostorije u kojoj se instaliraju dijelovi koji sadrže sredstvo za hlađenje.
- Uređaj za prozračivanje i ispusti funkcioniraju ispravno i nema blokada;
- Ako se koristi indirektni kružni tok sredstva za hlađenje, treba provjeriti da li sekundarni kružni tokovi sadrže sredstvo za hlađenje; oznake na opremi moraju i dalje biti vidljive i čitljive.
- Nečitljive oznake i znakove treba ispraviti.
- Cijev za sredstvo za hlađenje ili komponente instalirani su na mjestu gdje je mala vjerovatnoća njihovog izlaganja tvarima koji mogu nagrizati komponente koje sadrže sredstvo za hlađenje, osim ako su te komponente izrađene od materijala koji su intrinzično otporni na nagrizanje ili su prikladno zaštićene od nagrizanja.

### 7.9 PROVJERE ELEKTRIČNIH UREĐAJA

Popravci i održavanje električnih komponenti trebaju uključivati sigurnosne provjere i procedure provjere komponenti. Ako se pojavi greška koja može kompromitirati sigurnost, strujno kolo ne smije se dovesti pod napajanje dok se ta greška ne otkloni. Ako se greška ne može odmah ispraviti, a potrebno je nastaviti rad uređaja, treba koristiti prikladno privremeno rješenje. O tome treba obavijestiti vlasnika opreme da bi sve strane bile upoznate sa situacijom.

#### U obavezne početne sigurnosne provjere spadaju:

- da su kondenzatori ispražnjeni: to treba uraditi na siguran način da bi se spriječilo varničenje;
- da nijedna električna komponenta ni žica koja je pod naponom nije oslobođena / bez izolacije za vrijeme punjenja, pražnjenja ili čišćenja sistema;
- da postoji trajno uzemljenje.

### 7.10 POPRAVCI ZABRTVLJENIH KOMONENTI

- 10.1 Za vrijeme popravaka zabrtvljenih komponenti sve izvore napajanja treba odvojiti od opreme na kojoj se izvode radovi prije uklanjanja zabrtvljenih poklopaca itd. Ako je za vrijeme servisiranja zaista neophodno držati opremu pod napajanjem, na najkritičnijem mjestu treba postaviti trajno uključenu komponentu za otkrivanje curenja radi upozorenja na eventualno opasnu situaciju.
- 10.2 Posebno je važno osigurati da se pri radu na električnim komponentama zaštita/omot ne ošteti na način koji ugrožava potreban nivo zaštite. U to spadaju oštećenja kablova, prevelik broj spojeva, priključci neizvedeni u skladu s originalnim specifikacijama, oštećenja brtvi, neispravno nalijeganje priključaka crijeva itd.
- Uvjerite se da je uređaj sigurno montiran.
  - Uvjerite se da brtve ili brtveni materijali nisu potrošeni do te mjere da više ne sprječavaju ulazak zapaljivih atmosfera. Zamjenski dijelovi moraju odgovarati specifikacijama proizvođača.

NAPOMENA: Upotreba silikonskih brtvi može smanjiti efektivnost nekih vrsta opreme za otkrivanje curenja. Intrinzično sigurne komponente ne moraju se izolirati prije radova na njima.

### 7.11 POPRAVAK INTRINZIČNO SIGURNIH KOMONENTI

Na strujno kolo nemojte priključivati nikakva trajna induktivna ni kapacitivna opterećenja bez da osigurate da se time neće prekoračiti dozvoljen napon i struja za upotrijebljenu opremu. Samo na intrinzično sigurnim komponentama smiju se izvoditi radovi pri zapaljivim atmosferama dok su pod naponom. Testni uređaj mora imati ispravne nazivne podatke. Komponente treba zamjenjivati samo dijelovima koje je specificirao proizvođač. Upotreba drugih dijelova može uzrokovati zapaljenje iscurjelog sredstva za hlađenje u atmosferi.

### 7.12 KABLOVI

Provjerite da li su kablovi u opasnosti od trošenja, korozije, prevelikog pritiska, vibracija, oštih rubova ili drugih djelovanja okoline. Prilikom ove provjere također treba uzeti u obzir posljedice otvrdnjavanja i trajnih vibracija izvora, kao što su kompresori ili ventilatori.

### 7.13 OTKRIVANJE ZAPALJIVIH SREDSTAVA ZA HLAĐENJE

Pri traženju ili otkrivanju curenja sredstva za hlađenje ni u kojem slučaju se ne smiju koristiti potencijalni izvori zapaljenja. Ne smiju se upotrebljavati halogenske svjetiljke (ili drugi detektori s otvorenim plamenom).

### 7.14 METODE OTKRIVANJA CURENJA

Sljedeće metode otkrivanja curenja važe kao prihvatljive za sisteme sa zapaljivim sredstvima za hlađenje: Za otkrivanje zapaljivih sredstava za hlađenje treba koristiti elektroničke detektore curenja, ali njihova osjetljivost može biti neprikladna ili može biti potrebno podešavanje (opremu za otkrivanje curenja treba podešavati u područjima bez sredstava za hlađenje). Uvjerite se da detektor nije potencijalan izvor zapaljenja i da je prikladan za dato sredstvo za hlađenje. Na opremi za otkrivanje curenja treba postaviti određeni dio (u postocima) vrijednosti donje granice zapaljivosti (DGZ ili engl. LFL) sredstva za hlađenje, treba je kalibrirati za upotrijebljeno sredstvo za hlađenje i potvrditi odgovarajući postotak gasa (maks. 25%). Tekućine za otkrivanje curenja su pogodne za većinu sredstava za hlađenje, ali treba izbjegavati upotrebu deterdženata koji sadrže hlor jer on može reagirati sa sredstvom za hlađenje i nagristi bakrene cijevi. Ako sumnjate na curenje, svi otvoreni plamenovi trebaju se ukloniti ili ugasiti. Ako otkrijete curenje sredstva za hlađenje i potrebno je lemljenje, iz sistema se treba isprazniti svo sredstvo za hlađenje ili ga treba izolirati (putem blokirajućih ventila) u dijelu sistema koji je udaljen od mjesta curenja. Nakon toga, a prije i poslije lemljenja, sistem treba očistiti nitrogenom bez kisika (OFN, engl. oxygen free nitrogen).

### 7.15 UKLANJANJE I PRAŽNJENJE

Prilikom otvaranja kružnog toka sredstva za hlađenje radi popravaka ili drugih radova treba primjenjivati standardne procedure. Ipak je važno pridržavati se najbolje prakse jer treba uzeti u obzir zapaljivost. Treba se pridržavati sljedeće procedure:

- uklonite sredstvo za hlađenje;
- očistite kružni tok inertnim gasom;
- ispraznite sistem;
- ponovo očistite sistem inertnim gasom; otvorite kružni tok rezanjem ili lemljenjem.

Sredstvo za hlađenje sistema treba spremiti u prikladne cilindre za pohranu korištenog sredstva za hlađenje. Sistem treba isprati nitrogenom bez kisika (OFN) da bi se jedinica dovela u sigurno stanje. Može biti potrebno ponoviti taj postupak više puta.

Za ovaj postupak ne treba koristiti komprimiran zrak ili kisik.

Ispiranje se treba izvršiti sljedećim koracima: eliminiranje vakuuma u sistemu pomoću OFN-a i nastavljanje punjenja do dostizanja radnog pritiska, nakon toga ispuštanje zraka u atmosferu i napokon ponovno uspostavljanje vakuuma. Taj proces treba ponavljati dok se ne odstrani svo sredstvo za hlađenje iz sistema. Prilikom upotrebe zadnjeg punjenja OFN-a sistem treba odzračiti do postizanja atmosferskog pritiska da bi se omogućili radovi. Ovaj postupak je neophodan ako se treba izvoditi lemljenje cijevi. Uvjerite se da ispuštanje vakuumske pumpe nije blizu izvora zapaljenja i da je omogućena ventilacija.

### 7.16 POSTUPCI PUNJENJA

Pored standardnih postupaka punjenja treba se pridržavati sljedećih zahtjeva:

- Uvjerite se da pri upotrebi opreme za punjenje ne dolazi do kontaminacije sredstava za hlađenje. Crijeva ili vodovi trebaju biti što kraći da bi se minimizirala količina sredstva za hlađenje u njima.
- Cilindre treba držati u uspravnom položaju.
- Prije punjenja rashladnog sistema sredstvom za hlađenje uvjerite se da je uzemljen.
- Nakon završetka punjenja stavite oznaku na sistem (ako već nije postavljena).
- Treba izrazito paziti da se rashladni sistem ne prepuni.
- Prije ponovnog punjenja sistem treba ispitati pod pritiskom pomoću OFN-a. Po završetku punjenja, ali prije stavljanja u pogon, potrebno je ispitati ima li curenja u sistemu. Nankadna provjera curenja

### 7.17 STAVLJANJE VAN POGONA

Prije izvođenja postupka ključno je da je tehničar potpuno upoznat s opremom i svim njenim pojedinostima.

U preporučenu dobru praksu spada sigurno izvlačenje svih sredstava za hlađenje. Prije izvođenja postupka treba uzeti uzorak ulja i sredstva za hlađenje.

Ako je prije ponovne upotrebe izvađenog sredstva za hlađenje potrebna analiza, prije početka postupka ključno je dovesti električnu struju.

- a) Upoznajte se s opremom i njenim radom.
- b) Izvršite električnu izolaciju sistema
- c) Prije pokušaja izvođenja postupka uvjerite se:
  - da je dostupna mehanička oprema za rukovanje cilindrima sa sredstvom za hlađenje ako je potrebna;
  - da je sva oprema za ličnu zaštitu dostupna i da se upotrebljava ispravno;
  - da je postupak izvlačenja sredstva za hlađenje u svakom trenutku pod nadzorom stručne osobe;
  - da su oprema za izvlačenje sredstva za hlađenje i cilindri u skladu s odgovarajućim standardima.
- d) Ako je to moguće, u rashladnom sistemu pumpom uspostavite vakuum.
- e) Ako uspostavljanje vakuuma nije moguće, postavite razdjelnik da bi se sredstvo za hlađenje moglo izvaditi iz pojedinačnih dijelova sistema.
- f) Prije početka izvlačenja sredstva za hlađenje uvjerite se da je cilindar postavljen na vagu.
- g) Pokrenite uređaj za izvlačenje sredstva za hlađenje i radite u skladu s uputama proizvođača.
- h) Nemojte prepuniti cilindre. (punite ih do maksimalno 80% zapremine).
- i) Nemojte prekoračiti maksimalni radni pritisak cilindra, čak ni privremeno.
- j) Kad su cilindri ispravno napunjeni i postupak je završen, obavezno odmah uklonite cilindre i opremu s mjesta rada i zatvorite sve izolacijske ventile na opremi.
- k) Izvučenim sredstvom za hlađenje ne smije se puniti drugi rashladni sistem ako se nije očistilo i ispitalo.

### 7.18 OZNAČAVANJE

Na opremi treba postaviti oznaku koja ukazuje na to da je stavljena van pogona i svo sredstvo za hlađenje ispražnjeno. Oznaka mora imati datum i potpis, Uvjerite se da se na opremi nalaze oznake koje ukazuju na to da sadrži zapaljivo sredstvo za hlađenje.

### 7.19 IZVLAČENJE SREDSTAVA ZA HLAĐENJE

- U preporučenu dobru praksu spada sigurno izvlačenje svih sredstava za hlađenje iz sistema, radilo se to radi servisiranja ili stavljanja van pogona.
- Za prenos sredstava za hlađenje u cilindre obavezno se moraju upotrebljavati odgovarajući cilindri za pohranu korištenih sredstava za hlađenje. Uvjerite se da je dostupan ispravan broj cilindara za pohranu svog izvučenog sredstva za hlađenje. Svi cilindri koji će se upotrijebiti moraju biti namijenjeni za izvučeno sredstvo za hlađenje i imati oznaku koja ukazuje na to da su namijenjeni za to sredstvo (tj. posebni cilindri za pohranu korištenih sredstava za hlađenje). Cilindri moraju biti potpuni s ispravnim ventilom za ograničavanje pritiska i pratećim blokirajućim ventilima.
- Prije izvlačenja sredstva za hlađenje iz sistema prazni cilindri za pohranu korištenih sredstava za hlađenje trebaju se odzračiti i, ako je to moguće, ohladiti.
- Oprema za izvlačenje sredstva za hlađenje iz sistema mora biti u ispravnom stanju, moraju joj biti priložene upute za rad s njom i mora biti prikladna za pohranu korištenih zapaljivih sredstava za hlađenje. Pored toga, mora biti dostupna podešena i ispravna vaga.
- Crijeva moraju biti ispravna i potpuna s nepropusnim spojnica. Prije upotrebe uređaja za izvlačenje sredstva za hlađenje uvjerite se da je ispravan, da je ispravno održavan i da su sve prateće električne komponente zabrtvljene radi sprječavanja zapaljenja u slučaju izlaska sredstva za hlađenje iz sistema. Ako niste sigurni u vezi s nečim, obratite se proizvođaču.
- Izvučeno sredstvo za hlađenje treba vratiti dobavljaču u odgovarajućem cilindru za pohranu korištenih sredstava za hlađenje s odgovarajućim pratećim listom za otpad. Ne miješajte sredstva za hlađenje u jedinicama za pohranu korištenih sredstava za hlađenje, a posebno ne u cilindrima.
- Ako kompresore ili ulje kompresora treba ukloniti, uvjerite se da su odzračeni do prihvatljive mjere da zapaljivo sredstvo za hlađenje ne bi ostalo u mazivu. Postupak odzračivanja treba izvršiti prije vraćanja kompresora dobavljaču. Ovaj postupak smije se ubrzati samo električnim zagrijavanjem tijela kompresora. Ulje treba oprezno izvlačiti iz sistema.

### 7.20 TRANSPORT, OZNAČAVANJE I POHRANA JEDINICA

1. Transport opreme koja sadrži zapaljiva sredstva za hlađenje  
U skladu s transportnim propisima
2. Označavanje opreme pomoću znakova  
U skladu s lokalnim propisima
3. Odlaganje opreme koja koristi zapaljiva sredstva za hlađenje  
U skladu s državnim propisima
4. Pohrana opreme/uređaja  
Oprema se mora pohranjivati u skladu s uputama proizvođača.
5. Pohrana opreme s ambalažom (neprodana)  
Zaštitna ambalaža za pohranu treba biti izrađena na način koji onemogućuje curenje punjenog sredstva za hlađenje uslijed mehaničkog oštećenja opreme u ambalaži.  
Dozvoljeni maksimalni broj dijelova opreme koji se smiju pohraniti zajedno određuju lokalni propisi.

Tento výrobek je v souladu se směrnicí Evropské unie o nízkém napětí (2014/35/ES) a směrnicí o elektromagnetické kompatibilitě (2014/30/ES).



## Správná likvidace tohoto výrobku (Odpadní elektrická a elektronická zařízení)

(Při používání této klimatizační jednotky v evropských zemích musí být dodržovány následující pokyny)

– Toto označení uvedené na výrobku nebo průvodní dokumentaci znamená, že odpadní elektrická a elektronická zařízení (OEEZ podle směrnice 2012/19/ES) nesmí být smíchána s běžným komunálním odpadem. Likvidace tohoto zařízení společně s běžným komunálním odpadem je zakázána. Pro likvidaci existuje několik možností:

1. Obec má zavedený systém sběru, kde je možné bezplatně likvidovat elektronický odpad.
2. Prodejce bezplatně vezme zpět starý výrobek při nákupu nového výrobku.
3. Výrobce bezplatně vezme zpět starý výrobek k likvidaci.
4. Protože staré výrobky obsahují cenné suroviny, mohou být prodány jako kovový šrot. Neřízená likvidace odpadu v lesích a krajině ohrožuje vaše zdraví, protože nebezpečné látky pronikají do podzemních vod a nacházejí si cestu do potravinového řetězce.

Tento výrobek obsahuje fluorované plyny podléhající Kjótskému protokolu

Chemický název plynu	R32
Globální oteplovací potenciál (GWP) plynu	675

### UPOZORNĚNÍ

1. Upevněte přiložený štítek chladiva k místu doplňování nebo odebrání chladiva.
2. Na štítek chladiva zřetelně napište množství chladiva nesmazatelným inkoustem.
3. Zabraňte úniku obsaženého fluorovaného plynu. Zajistěte, aby fluorovaný plyn nebyl nikdy odvětráván do ovzduší při instalaci, provozu nebo likvidaci. Je-li zjištěn únik obsaženého fluorovaného plynu, musí být co nejdříve zastaven a místo úniku opraveno.
4. Přístup k tomuto výrobku a jeho servis má povolen pouze kvalifikovaný servisní personál.
5. Jakákoliv manipulace s fluorovanými plyny obsaženými ve výrobku, například při přemísťování výrobku nebo doplňování plynu, musí být v souladu s nařízením ES č. 517/2014 o některých fluorovaných skleníkových plynech a s veškerou příslušnou místní legislativou.
6. Je-li nainstalován systém detekce netěsnosti, musí být těsnost kontrolována nejméně jednou za 12 měsíců.
7. Při kontrole těsnosti jednotky důrazně doporučujeme správnou evidenci všech kontrol.

Vnitřní jednotka	Venkovní jednotka	Jmenovité napětí a frekvence
42QHP09E8S-1	38QHP09E8S-1	220-240V~, 50Hz
42QHP12E8S-1	38QHP12E8S-1	

Výrobce si vyhrazuje právo změnit jakékoliv specifikace výrobku bez předchozího upozornění.

## OBSAH

<b>1. PŘÍPRAVA NA INSTALACI</b> .....	<b>3</b>
1.1 Bezpečnostní opatření .....	3
1.2 Příslušenství .....	5
1.3 Výběr místa instalace .....	6
<b>2. INSTALACE VNITŘNÍ JEDNOTKY</b> .....	<b>7</b>
2.1 Instalační deska vnitřní jednotky .....	7
2.2 Instalační proces .....	8
<b>3. INSTALACE VENKOVNÍ JEDNOTKY</b> .....	<b>9</b>
3.1 Montážní rozměry venkovní jednotky .....	9
3.2 Prostorové požadavky na venkovní jednotku .....	9
3.3 Připojení elektroinstalace venkovní jednotky .....	10
3.4 Instalace venkovní jednotky .....	10
3.5 Instalace odtokového potrubí pro venkovní jednotku .....	10
<b>4. PRÁCE NA POTRUBÍ CHLADIVA</b> .....	<b>11</b>
4.1 Rozšíření konců trubek .....	11
4.2 Instalace potrubí .....	11
4.3 Potrubí chladiva .....	12
4.4 Odvzdušnění .....	12
4.5 Zkouška těsnosti .....	12
<b>5. ELEKTROINSTALACE</b> .....	<b>13</b>
<b>6. ZÁVĚREČNÁ KONTROLA A ZKUŠEBNÍ PROVOZ</b> .....	<b>14</b>
6.1 Kontrolní seznam závěrečné kontroly .....	14
6.2 Ruční obsluha .....	14
6.3 Zkušební provoz .....	14
<b>7. INFORMACE PRO PROVÁDĚNÍ SERVISNÍCH ZÁSAHŮ</b> .....	<b>15</b>



Upozornění: **Nebezpečí požáru**  
pouze pro chladivo R32/R290



## 1.1 BEZPEČNOSTNÍ OPATŘENÍ

- Instalace, spuštění a servis klimatizačního zařízení mohou být nebezpečné kvůli tlakům v systému, elektrickým komponentům a umístění zařízení (střechy, zvýšené konstrukce atd.).
- Toto zařízení by měli instalovat, spouštět a provádět jeho servis pouze vyškolení a kvalifikovaní montéři a servisní mechanici.
- Při práci na tomto zařízení dodržujte pokyny v dokumentaci a na značkách, nálepkách a štítcích připevněných k zařízení.
- Dodržujte všechny bezpečnostní předpisy. Používejte ochranné brýle a pracovní rukavice. Při pájení mějte připravenou hasicí látku a hasicí přístroj. Buďte opatrní při manipulaci, přípravě a nastavení objemného zařízení.
- Důkladně si přečtěte tyto pokyny a pečlivě dodržujte všechna varování či upozornění zahrnutá v dokumentaci a připevněná k jednotce. V případě zvláštních požadavků si prostudujte místní stavební předpisy a národní elektroinstalační předpisy.

### VAROVÁNÍ

Tento symbol indikuje možnost vážného nebo smrtelného zranění.

- **Plynné chladivo je těžší než vzduch a vytlačuje kyslík. Masivní únik by mohl vést k vyčerpání kyslíku (zejména v suterénech) a riziko udušení by mohlo vést k vážnému zranění nebo smrti.**
- **Když je klimatizace instalována v malé místnosti, proveďte vhodná bezpečnostní opatření, abyste zajistili, že koncentrace unikajícího chladiva v místnosti nepřesáhne kritickou úroveň.**
- **Jestliže během instalace uniká chladivo, okamžitě vyvětrejte okolní prostor.**  
Plynné chladivo může vylučovat toxický plyn, pokud se dostane do kontaktu s ohněm například od ventilačního ohříváče, sporáku nebo vařiče. Kontakt s tímto plynem může způsobit těžké zranění nebo smrt.
- **Před prováděním jakýchkoli elektroinstalačních prací odpojte jednotku od zdroje napájení. Správně zapojte přípojovací kabel.**  
Špatné zapojení může způsobit poškození elektrických součástí.
- **K realizaci elektrického připojení používejte stanovené kabely a vodiče pevně připojte ke svorkám propojujícím jednotlivé části tak, aby na svorku nebyla vyvíjena větší síla.**
- **Zajistěte správné uzemnění.**  
Neuzemňujte jednotky k plynovému nebo vodovodnímu potrubí, bleskosvodu nebo telefonním kabelům. Neúplné uzemnění může způsobit vážné riziko úrazu elektrickým proudem s následkem zranění nebo smrti.
- **Bezpečná likvidace obalových materiálů.**  
Obalové materiály, jako jsou hřebíky a jiné kovové nebo dřevěné části, mohou způsobit bodná nebo jiná zranění. Roztrhejte a zlikvidujte plastové obalové tašky, aby si s nimi nehrály děti. Děti, které si hrají s plastovými taškami, čelí nebezpečí udušení.
- **Neinstalujte jednotku v blízkosti koncentrací hořlavého plynu nebo výparů.**
- **Ujistěte se, že používáte dodané nebo přesně specifikované díly zařízení.**  
Použití jiných dílů může způsobit uvolnění jednotky, únik vody, úraz elektrickým proudem, požár nebo poškození zařízení.
- **Při instalaci nebo přemístění systému nedovolte, aby vzduch nebo jiné než specifikované chladicí látky (R410A) pronikly do chladicího okruhu.**
- **Nikdy neupravujte tuto jednotku tím, že odstraníte jakoukoliv bezpečnostní ochranu nebo přemostíte jakýkoliv spínač bezpečnostního blokování.**
- **Elektroinstalační práce by měly být prováděny v souladu s návodem k instalaci a národními, státními a místními předpisy.**

### VAROVÁNÍ

- **Ujistěte se, že používáte samostatný obvod elektrického napájení. Nikdy nesdílejte stejnou zásuvku s jiným spotřebičem.**
- **Chcete-li zabránit riziku neúmyslného resetování teplotního limitu, nenapájejte toto zařízení prostřednictvím externího spínacího zařízení, jako je časovač, nebo jej nezapojujte do obvodu, který je pravidelně zapínán a vypínán inženýrskými sítěmi.**
- **Pro připojení k elektrické síti používejte předepsané kabely s ochrannou izolací s vhodnou teplotní specifikací.**  
Nevyhovující kabely mohou způsobit únik elektrické energie, nadměrné tvoření tepla nebo požár.
- **Pro urychlení procesu odmrzování nebo čištění nepoužívejte žádné prostředky, kromě těch, které jsou doporučeny výrobcem.**
- **Spotřebič je nutné umístit v místnosti bez trvalého výskytu zdrojů vznícení (například: otevřené plameny a zapálené plynové hořáky nebo zapnutá elektrická topná tělesa)**
- **Nepropichujte a nevhazujte do ohně.**
- **Mějte na paměti, že chladiva mohou být bez vůně nebo zápachu.**
- **Spotřebič je nutné umístit v dobře odvětrávaném prostoru, jehož velikost přiměřeně odpovídá provozní podlahové ploše.**
- **Pro modely s použitím chladiva R32:**  
Spotřebič musí být instalován, provozován a umístěn v prostoru s podlahovou plochou větší než 4 m<sup>2</sup>.  
Spotřebič nesmí být instalován v nevětraném prostoru, pokud je tento prostor menší než 4 m<sup>2</sup>.
- **Pro modely s použitím chladiva R290, minimální požadovaná podlahová plocha:**  
jednotky ≤ 9000 Btu/h: 13 m<sup>2</sup>  
jednotky > 9000 Btu/h a ≤ 12000 Btu/h: 17 m<sup>2</sup>  
jednotky > 12 000 Btu/h a ≤ 18 000 Btu/h: 26 m<sup>2</sup>  
jednotky > 18 000 Btu/h a ≤ 24 000 Btu/h: 35 m<sup>2</sup>

### UPOZORNĚNÍ

Tento symbol indikuje možnost poškození majetku nebo vážných následků.

- **Aby nedošlo ke zranění, buďte opatrní při manipulaci s díly s ostrými hranami.**
- **Neinstalujte vnitřní nebo venkovní jednotky v místech se zvláštními environmentálními podmínkami.**
- **Neinstalujte jednotku v místě, které zesiluje úroveň hluku jednotky, nebo tam, kde hluk a vypouštěný vzduch mohou rušit sousedy.**
- **Práci na odtoku/potrubí provádějte bezpečně podle návodu k instalaci.**  
Nesprávné odtokové potrubí může mít za následek únik vody a škodu na majetku.
- **Neinstalujte klimatizaci do následujících míst.**
  - Místo, kde je přítomen minerální olej nebo kyselina arseničná.
  - Místo, kde se mohou hromadit žíravé plyny (např. výpary z kyseliny sírové) nebo hořlavé plyny (např. výpary z ředidla) nebo kde dochází k manipulaci s těkavými hořlavými látkami.
  - Místo, kde se nachází zařízení, které vytváří elektromagnetická pole nebo vysokofrekvenční harmonické vlnění.
- **Tento spotřebič je nutné uložit tak, aby nemohlo dojít k mechanickému poškození.**
- **Všechny osoby, které budou pracovat s okruhem chladiva nebo jej upravovat, musí mít aktuálně platný certifikát od oborové akreditované posudkové společnosti, který potvrzuje jejich odborné znalosti pro bezpečnou manipulaci s chladivem v souladu s oborovými předpisy pro posuzování.**

## 1.2 PŘÍSLUŠENSTVÍ

S jednotkou je dodáváno následující příslušenství. Typ a množství se může lišit v závislosti na specifikacích.

Název příslušenství	Množství (ks)	Tvar	Název příslušenství	Množství (ks)	Tvar
Návod	3		Dálkový ovladač	1	
Vývod odtoku	1		Baterie	2	
Těsnění	1		Držák dálkového ovladače	1	
Montážní deska	1		Šroub B	2	
Kotva	5		Malý filtr	1	
Šroub A	5		Magnetický kroužek (některé jednotky)	N*	

\*v závislosti od skutečného množství

## 1.3 VÝBĚR MÍSTA INSTALACE

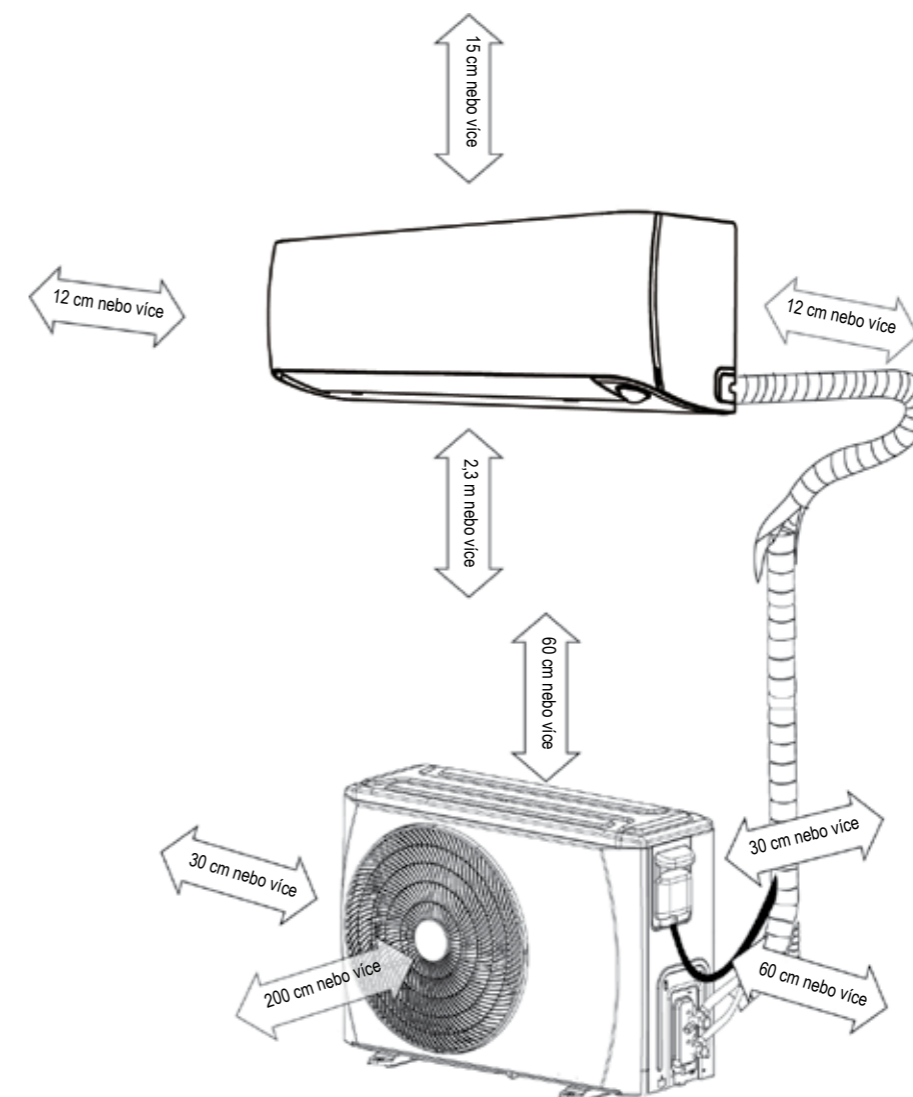
### Vnitřní jednotka

- Místo, které unese hmotnost vnitřní jednotky.
- Místo, které není blízko přímého zdroje tepla, jako je přímé sluneční záření nebo topné zařízení.
- Místo s dostatkem prostoru, jak ukazuje obrázek níže.
- Pohyblivé části zařízení musí být nainstalovány/umístěny na úrovni nejméně 2,3 m od podlahy.

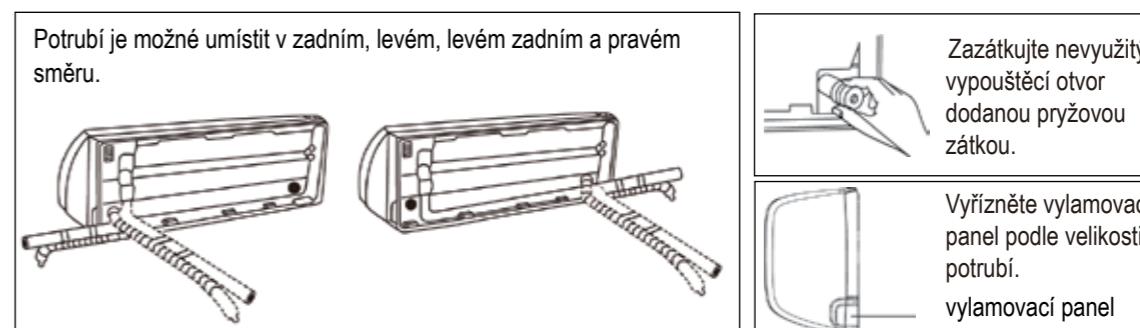
### Venkovní jednotka

- Místo, které je vhodné pro instalaci a není vystaveno silnému větru. Je-li jednotka vystavena silným větrům, je doporučeno použít chránič proti větru.
- Místo, které unese hmotnost venkovní jednotky a kde lze jednotku nainstalovat ve vodorovné poloze.
- Místo s dostatkem prostoru, jak ukazuje obrázek níže.

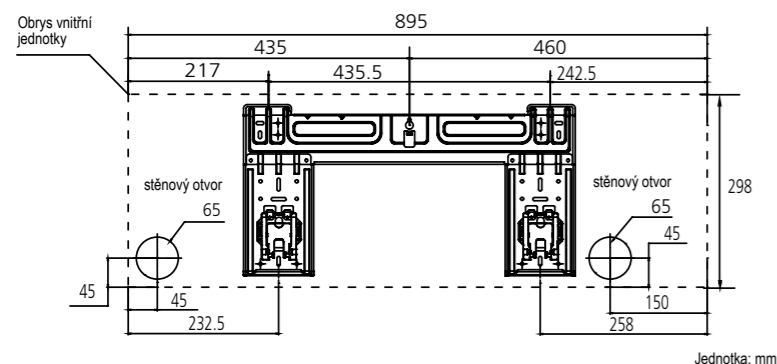
Neinstalujte vnitřní nebo venkovní jednotky v místech se zvláštními environmentálními podmínkami. Ověřte, že máte dostatek místa pro instalaci a údržbu.



Poznámka: Dodržte vzdálenosti indikované šipkami od stěny, stropu, plotu nebo jiných překážek.



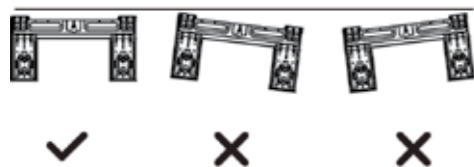
### 2.1 INSTALAČNÍ DESKA VNITŘNÍ JEDNOTKY



Poznámka: Pokud má potrubí plynové přípojky  $\varnothing 16$  mm (5/8 in) nebo více, musí být otvor trubky 90 mm (3,54 in).

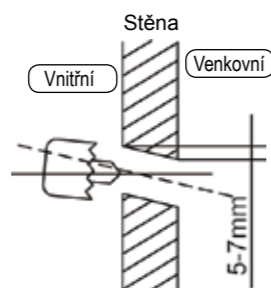
#### ■ Nainstalujte montážní desku

Připevněte montážní desku vodorovně a vyrovnejte ji pěti nebo více šrouby typu A.



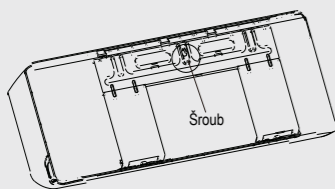
#### ■ Vyvrtejte otvor ve stěně

Vyvrtejte otvor o průměru 65 nebo 90 mm (v závislosti na modelu) ve stěně, přičemž je otvor mírně nakloněný směrem ven.



Poznámka:

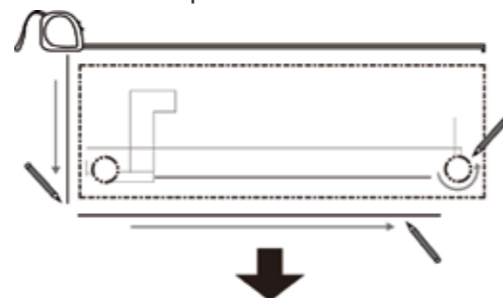
■ Instalační deska je připevněna šroubem pro účely přepravy. Před instalací jej odstraňte. (viz obrázek)



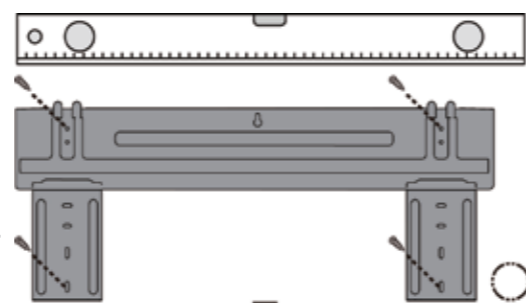
■ Montážní deska bude vypadat jako jedna z desek na obrázcích v závislosti na velikosti jednotky. Otvory pro upevnění kotev by měly mít průměr 5 mm.

### 2.2 INSTALAČNÍ PROCES

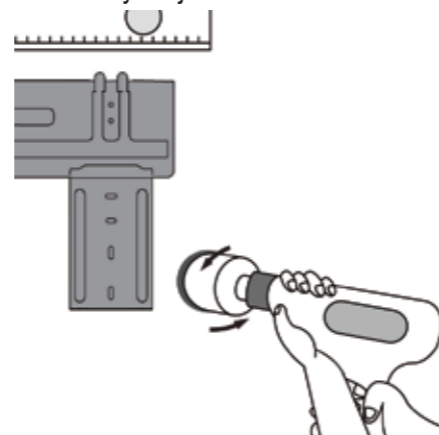
Krok 1: Určete polohu otvoru ve stěně



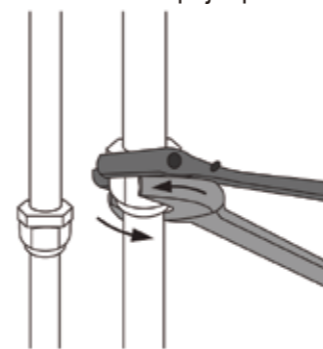
Krok 2: Přiložte montážní desku



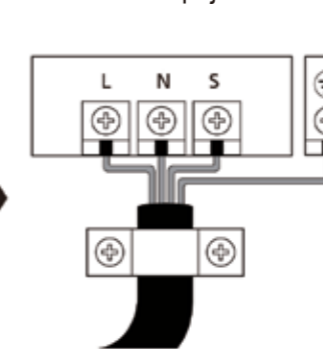
Krok 3: Vyvrtejte otvor ve stěně



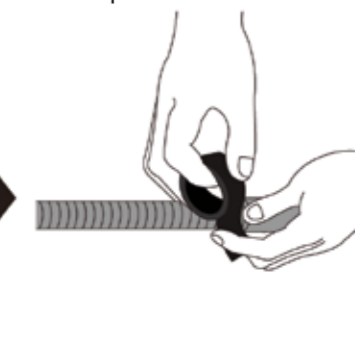
Krok 4: Připojte potrubí



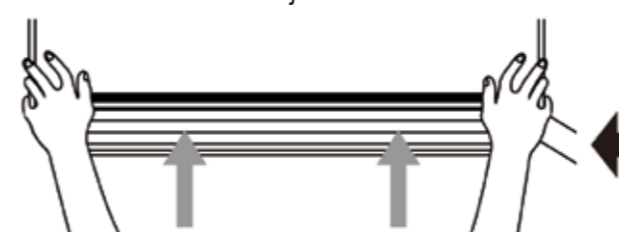
Krok 5: Připojte vodič



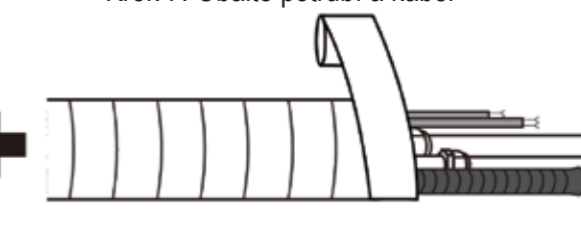
Krok 6: Připravte odtokovou hadici



Krok 8: Zavěste vnitřní jednotku

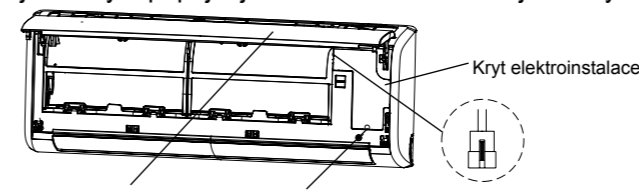


Krok 7: Obalte potrubí a kabel

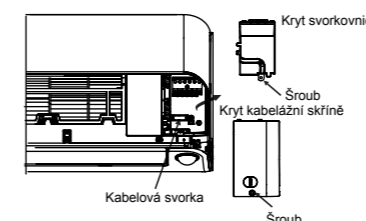


#### ■ Připojení vodičů vnitřní jednotky

1. Zvedněte přední panel vnitřní jednotky.
2. Zasunutím šroubováku do otvoru otevřete kryt elektrické skříně vnitřní jednotky, rukou odstraňte kryt svorkovnice a uvolněním šroubů demontujte kabelovou svorku.
3. Protáhněte připojovací vodiče ze zadní strany vnitřní jednotky a připojte je ke svorkovnici vnitřní jednotky.



Přední panel  
Otevřete kryt z tohoto otvoru  
Konektor pro kabelové připojení regulátoru (volitelné, nachází se v krabici displeje)

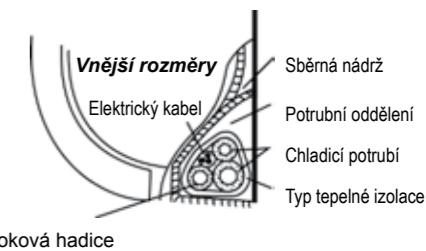


Kabelová svorka  
Kryt svorkovnice  
Šroub  
Kryt kabelážní skříně  
Šroub

#### ■ Obalení trubky

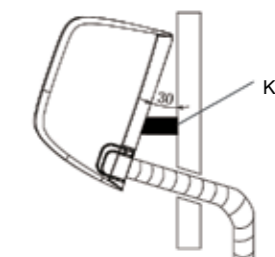
Pro správnou orientaci potrubí chladiva, elektrických kabelů a odtokového potrubí, viz obrázek níže:

- Umístěte odtokovou hadici pod potrubí chladiva.
- Ujistěte se, že se odtoková hadice nezvedá a nekroutí.



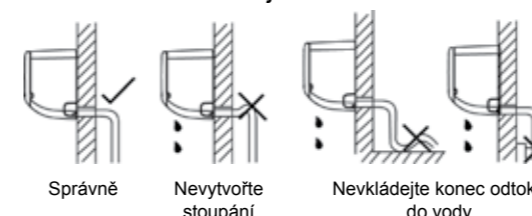
#### ■ Zavěste vnitřní jednotku

1. Protáhněte potrubí chladiva přes otvor ve stěně.
2. Zavěste vnitřní jednotku na horní háček montážní desky, poté zatlačte spodní část vnitřní jednotky nahoru na stěnu na spodní háček.
3. Pohněte vnitřní jednotkou ze strany na stranu a nahoru a dolů pro kontrolu, zda je bezpečně zavěšena.



#### ■ Odtok

Odtokové potrubí nesmí být v žádném místě své délky zablokováno, musí se svažovat dolů a musí být zaizolované až k vnější stěně.



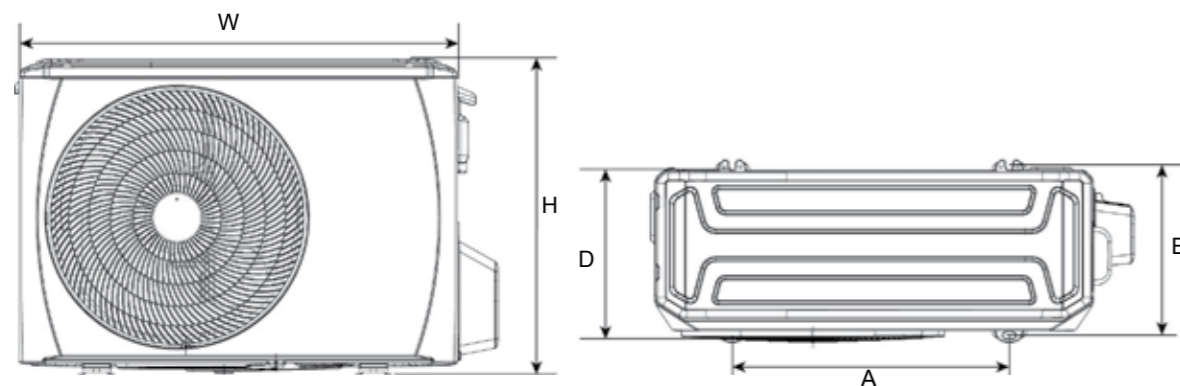
#### ⚠ UPOZORNĚNÍ

- Připojovací části přípojného potrubí musí být umístěny mimo místnosti.

### 3. INSTALACE VENKOVNÍ JEDNOTKY

#### 3.1 MONTÁŽNÍ ROZMĚRY VENKOVNÍ JEDNOTKY

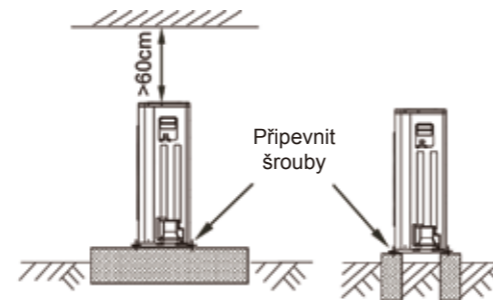
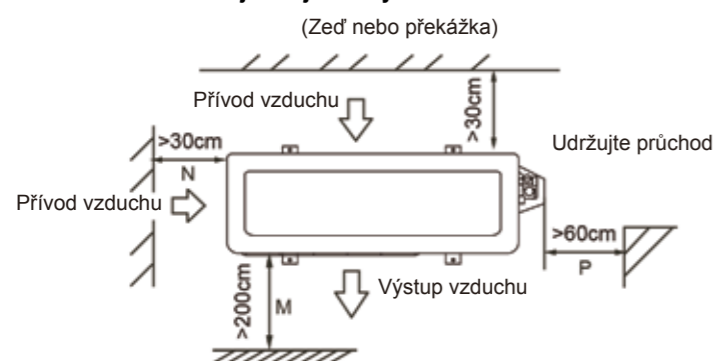
Montážní rozměry se liší podle různých venkovních jednotek.  
Průměr hlavy upevňovacího šroubu by měl být více než 12 mm.



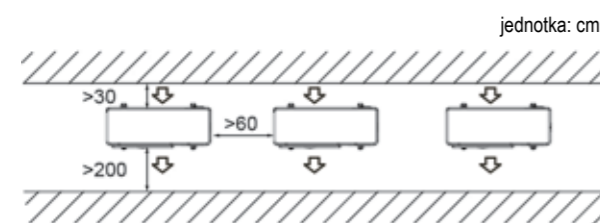
Rozměry venkovní jednotky (mm)				Montážní rozměry (mm)	
Venkovní jednotka	W	H	D	A	B
38QHP09E8S-1 38QHP12E8S-1	805	554	330	511	317

#### 3.2 PROSTOROVÉ POŽADAVKY VENKOVNÍ JEDNOTKY

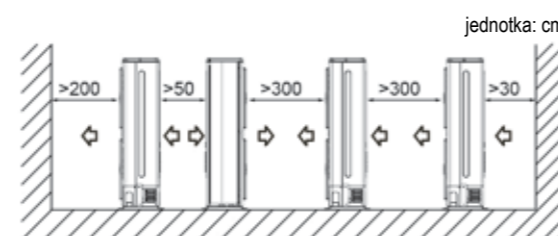
##### Instalace jedné jednotky



##### Paralelní připojení dvou nebo více jednotek



##### Paralelní připojení předních stran se zadními stranami



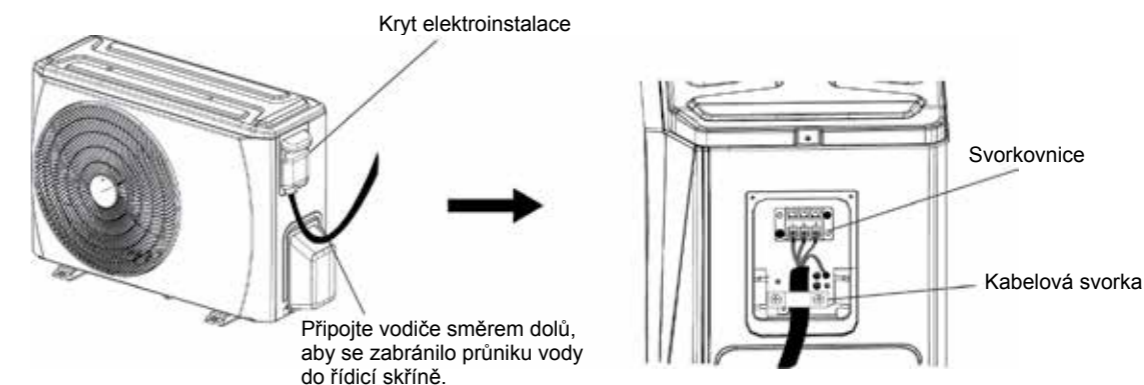
#### UPOZORNĚNÍ

- V oblastech s výskytem sněžení a nízkých teplot se vyhněte instalování venkovní jednotky tam, kde může být zasněžena. Pokud se očekává silné sněžení, měl by být nainstalován venkovní stojan proti sněhu a ledu a/nebo kryt proti větru na ochranu jednotky před hromaděním sněhu a zablokováním přívodu vzduchu.

### 3. INSTALACE VENKOVNÍ JEDNOTKY

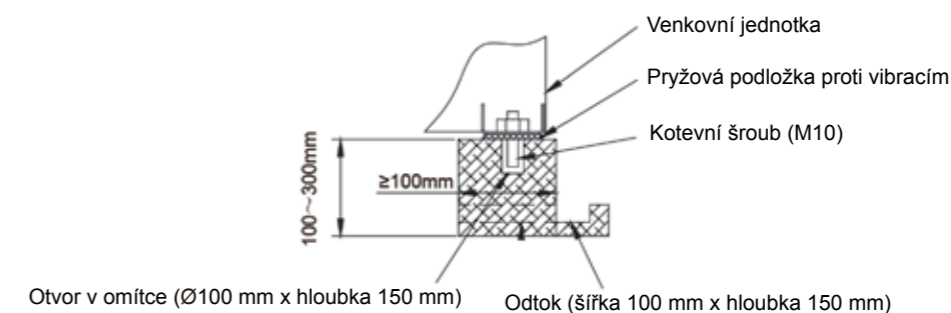
#### 3.3 PŘIPOJENÍ ELEKTROINSTALACE VENKOVNÍ JEDNOTKY

- Odstraňte kryt elektroinstalace a svorku kabelu uvolněním šroubů.
- Připojte vodiče ke svorkovnici venkovní jednotky ve stejném pořadí jako u vnitřní jednotky.



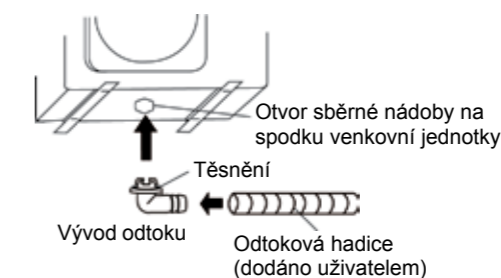
#### 3.4 INSTALACE VENKOVNÍ JEDNOTKY

- Před instalací zkontrolujte pevnost a horizontální vyrovnaní základny tak, aby nedocházelo k abnormálnímu hluku.
- Upevněte základnu pevně kotevními šrouby (M10), abyste předešli pádu jednotky.
- Nainstalujte podkladové a protivibrační pryžové podložky, které budou přímo podírat spodní část upevňovací nožky, která je v kontaktu se spodní deskou venkovní jednotky.



#### 3.5 INSTALACE ODTOKOVÉHO POTRUBÍ PRO VENKOVNÍ JEDNOTKU

- Připojte prodlužovací odtokovou hadici k výstupu odtoku.
- Na výstup odtoku nasadte těsnění.
- Vložte výstup odtoku do otvoru ve spodní vaně venkovní jednotky a otočte jej o 90 stupňů za účelem bezpečného upevnění.



## UPOZORNĚNÍ

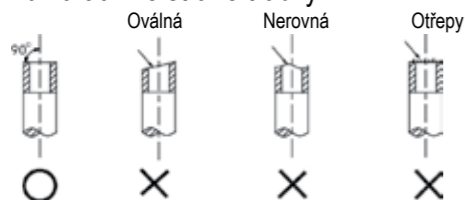
- Zkontrolujte, zda výškový rozdíl mezi vnitřní jednotkou a venkovní jednotkou a celková délka potrubí chladiva splňují požadavky systému.
- Práce na potrubí chladiva následuje po instalaci vnitřní a venkovní jednotky. Nejprve připojte potrubí na vnitřní straně a poté na vnější straně.
- Během instalace vždy ponechejte konce trubek zaslepené umístěním uzávěru nebo krytu s páskou a NEODSTRAŇUJTE je, dokud nebudete připraveni potrubí zapojit.
- Ujistěte se, že veškeré místní potrubí bude zaizolováno až k připojovací straně jednotky. Případné obnažené potrubí může způsobit kondenzaci nebo popálení v případě dotyku.
- Když je venkovní jednotka v horní poloze a rozdíl v úrovni je přes 10 m, doporučuje se vytvořit záchytné ohyby každých 5-8 m plynového potrubí, které napomáhají vracení oleje. Poloměr ohybu pro vracení oleje by měl být větší než 10 cm.

### 4.1 ROZŠÍŘOVÁNÍ KONCŮ TRUBEK

#### POZNÁMKA

- Nástroje požadované k rozšíření konců trubek jsou řezák na trubky, výstružník, rozšiřovací nástroj a držák trubek.
- U chladicích modelů R32 musí být připojovací body potrubí umístěny mimo místnost.

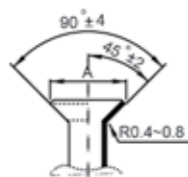
4.1.1 Pomocí řezáku trubek uřízněte trubku na požadovanou délku. Zajistěte, aby odříznutý konec byl v úhlu 90° ke straně trubky.



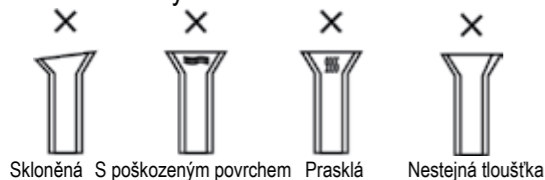
4.1.2 Použijte výstružník k odstranění ořepů z odříznutého povrchu tak, aby se úlomky nedostaly do trubky.

4.1.3 Pomocí rozšiřovacích nástrojů provedte rozšíření konce, jak je uvedeno níže.

Vnější průměr	A (mm)	
	Max.	Min.
Ø 6,35 mm	8,7	8,3
Ø 9,52 mm	12,4	12,0
Ø 12,7 mm	15,8	15,4
Ø 15,88 mm	19,0	18,6
Ø 19,05 mm	23,3	22,9



4.1.4 Zkontrolujte, zda je rozšíření konců trubek správně provedeno. Viz příklad nesprávně rozšířených trubek uvedený níže.

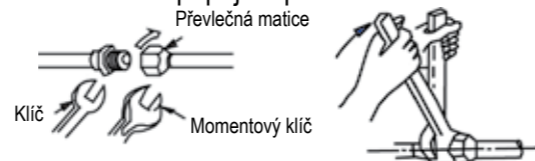


## UPOZORNĚNÍ

- V případě nutnosti pájení pracujte s foukáním plynného dusíku.
- Nesprávný utahovací moment způsobí poškození rozšíření nebo únik plynu.

### 4.2 INSTALACE POTRUBÍ

4.2.1 Srovnejte na střed pro utažení převlečné matice a dokončete připojení pomocí dvou klíčů.



Velikost potrubí	Utahovací moment
Ø 6,35 mm	18 ~ 20 N.m
Ø 9,52 mm	25 ~ 26 N.m
Ø 12,7 mm	35 ~ 36 N.m
Ø 15,88 mm	45 ~ 47 N.m
Ø 19,05 mm	65 ~ 67 N.m

4.2.2 Vyberte vhodný izolační materiál pro potrubí chladiva. (Min. 10 mm, pěnová tepelná izolace typu C)

- Použijte samostatně tepelně izolované potrubí pro plyn a kapaliny.
- Tloušťka uvedená výše je standardní pro vnitřní teplotu 27 °C a vlhkost 80 %. Pokud instalujete jednotku v nepříznivých podmínkách, např. v blízkosti koupelny, kuchyně a podobných míst, zesilte izolaci.
- Teplota tepelného odporu izolace by měla být vyšší než 120 °C.
- Použijte lepidla na spojovací součásti izolace, abyste předešli vniknutí vlhkosti.
- Opravte a zakryjte případné praskliny v izolaci a zvláště zkontrolujte ohnuté součásti nebo zavěšení trubek.

### 4.3 POTRUBÍ CHLADIVA

Poznámka: Chladivo by mělo být plněno ze servisního portu na nízkotlakém ventilu venkovní jednotky.

	Minimální délka ke snížení nenormálních vibrací a hluku	Délka připojovacího potrubí	Dodatečné doplnění na metr	
			Strana kapaliny: Ø6,35 mm	Strana kapaliny: Ø9,52 mm
R32*	3 m	5 m	12 g	24 g

\* Používejte prosím nástroje pro systém R32.

#### POZNÁMKA

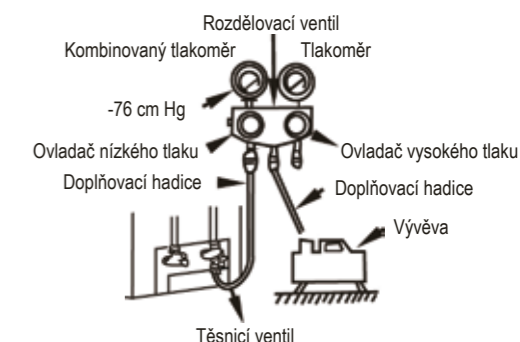
- Prodloužená délka trubky bude mít vliv na kapacitu a energetickou účinnost jednotky.
- Jmenovitá účinnost se testuje na základě potrubí o délce 5 metrů.
- Když je délka potrubí přes 5 m, je nutné doplnit další chladivo podle délky potrubí. Max. doporučená délka potrubí je uvedena níže.

Modely	Invertor R32	
	Max. délka potrubí (m)	Max. výškový rozdíl (m)
9K/12K	25	10

\* Používejte prosím nástroje pro systém R32.

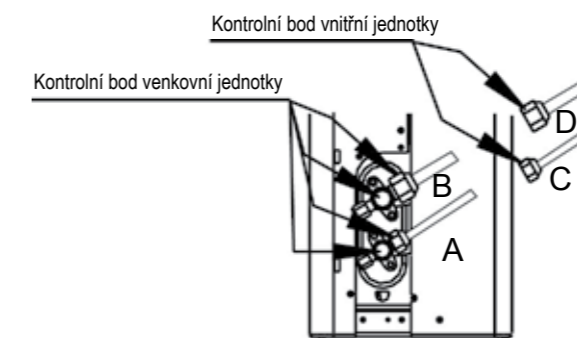
### 4.4 ODVZDUŠNĚNÍ

- Připojte doplňovací hadici z rozdělovacího ventilu k servisnímu portu těsnicího ventilu na straně plynu.
- Připojte doplňovací hadici k portu vývěvy.
- Zcela otevřete ovladač nízkého tlaku rozdělovacího ventilu.
- Spusťte vývěvu pro vyčerpání vzduchu ze systému až k hodnotě -76 cm Hg.
- Uzavřete ovladač nízkého tlaku rozdělovacího ventilu.
- Zcela otevřete dřík těsnicího ventilu.
- Odpojte doplňovací hadici ze servisního portu.
- Pevně utáhněte krytky těsnicího ventilu.



### 4.5 ZKOUŠKA TĚSNOSTI

Po dokončení instalace potrubí zkontrolujte spojovací části každého potrubí chladiva a ověřte, že nedochází k úniku plynu aplikací mýdlové vody na příslušné spoje nebo pomocí detektoru netěsnosti vhodného pro chladiva HFC. Příklad je na níže uvedeném obrázku.



A: Uzavírací ventil nízkého tlaku  
C a D: Převlečné matice vnitřní jednotky

B: Uzavírací ventil vysokého tlaku

## UPOZORNĚNÍ

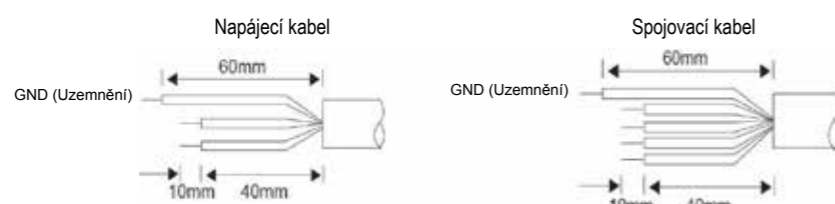
- Veškeré elektrické připojení musí být provedeno kvalifikovanými instalačními pracovníky a veškerá elektroinstalace musí být zapojena podle schématu elektroinstalace.
- Před provedením dalšího elektrického připojení proveďte uzemnění.
- Všechny zdroje napájení musí být před provedením elektroinstalace vypnuty a nezapínejte je, dokud se neujistíte, že byla veškerá elektroinstalace bezpečně zkontrolována.
- Je nutné nainstalovat hlavní vypínač a jistič nebo pojistku s kapacitou vyšší než 1,5násobek maximálního proudu v obvodu.
- Pro tento spotřebič musí být k dispozici samostatná větev obvodu a jediná zásuvka určená pouze pro tuto jednotku.
- Průřez vodičů závisí na jmenovitém proudu a národních, státních a místních elektroinstalačních předpisech. V případě zvláštních požadavků si prostudujte místní stavební předpisy a národní elektroinstalační předpisy.
- Pokud je napájecí kabel poškozen, musí být vyměněn výrobcem, jeho servisním zástupcem nebo obdobně kvalifikovanými pracovníky, aby se předešlo možnému nebezpečí.
- Jednotka musí být připojena k hlavnímu zdroji napájení pomocí jističe nebo spínače s oddělením kontaktů nejméně 3 mm u všech pólů. Je vhodná instalace proudového chrániče (RCD), který má jmenovitý zbytkový proud nepřesahující 30 mA.
- Tento spotřebič zahrnuje zemnicí přípojku pouze pro účel funkčnosti.

## Nominální proud pro každý model

Model	Nominální proud (A)	Nominální hodnota pojistky (A)	Napájecí kabel (s minimálním průřezem vodičů)	Spojovací kabel (s minimálním průřezem vodičů)
38QHP09E8S-1	13,0	20	3*1,5 mm <sup>2</sup>	5*1,5 mm <sup>2</sup>
38QHP12E8S-1	13,0	20	3*1,5 mm <sup>2</sup>	5*1,5 mm <sup>2</sup>

## UPOZORNĚNÍ:

1. Všechny napájecí vodiče musí být dimenzovány v souladu s národními, státními a místními elektroinstalačními předpisy. V případě zvláštních požadavků si prostudujte místní stavební předpisy a národní elektroinstalační předpisy.
2. Typ napájecího a spojovacího kabelu pro venkovní jednotku by měl být H07RN-F.
3. Jmenovitý proud spotřebiče je uveden na typovém štítku.
4. Specifikace pojistky venkovních jednotek je T20A/250VAC (platí pouze pro jednotky s chladivem adpot R32) Poznámka: Pojistka je vyrobena z keramiky.



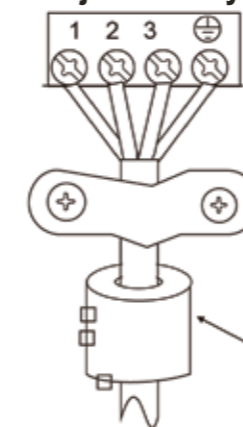
## Schéma připojení

Model	Vnitřní jednotka	Venkovní jednotka
QHP09 QHP12	 Pro exteriér	 Pro interiér

## Instalace magnetického kroužku

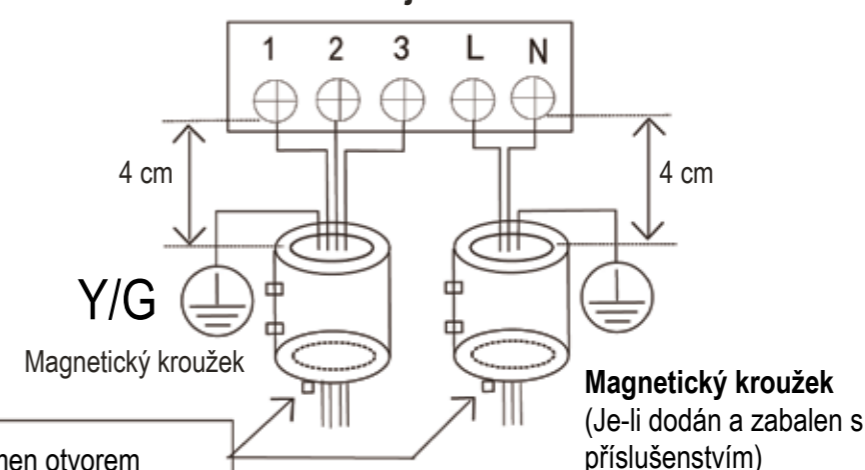
Poznámka: Svorkovnice se může lišit podle modelů.

### Vnější rozměry



**Magnetický kroužek**  
(je-li dodán a zabalen s příslušenstvím)  
Protáhněte řemen otvorem magnetického kroužku a připevněte jej na kabel

### Venkovní jednotka

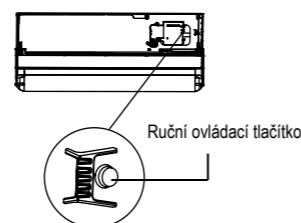


Protáhněte řemen otvorem magnetického kroužku a připevněte jej na kabel

### 6.1 KONTROLNÍ SEZNAM ZÁVĚREČNÉ KONTROLY

Chcete-li dokončit instalaci, proveďte před zkušebním provozem následující kontroly.

- Pevnost místa instalace z vnitřní i venkovní strany; ujistěte se, že u přívodu a vývodu vzduchu nejsou žádné překážky
- Těsnost připojení potrubí chladiva a potvrzení nulových netěsností
- Zapojení elektroinstalace je správně provedeno a jednotka je uzemněna
- Zkontrolujte celkovou délku potrubí a zaznamenejte objem doplněného chladiva
- Napájení odpovídá specifikovanému napětí klimatizační jednotky
- Izolace potrubí
- Odtok



### 6.2 RUČNÍ OBSLUHA

Ruční obsluhu lze provádět stisknutím manuálního tlačítka

Opakovaně stiskněte tlačítko ručního ovládání, chcete-li změnit režimy následujícím způsobem:

- Jedenkrát = režim AUTO [vytápění, chlazení nebo ventilátor, 24 °C a automatické otáčky ventilátoru]
- Dvakrát = režim CHLAZENÍ [přepne se do režimu AUTO po 30 minutách (používá se hlavně pro testování)]
- Třikrát = VYPNUTO

### 6.3 ZKUŠEBNÍ PROVOZ

Nastavte klimatizaci v režimu CHLAZENÍ dálkovým ovladačem (nebo manuálním tlačítkem) a zkontrolujte stav chodu vnitřní a venkovní jednotky. V případě poruchy ji vyřešte podle kapitoly „Odstraňování problémů“ v návodu k údržbě.

#### Vnější rozměry

- Zda tlačítka (např. ON/OFF, MODE, TEMPERATURE, FAN SPEED atd.) na dálkovém ovladači fungují správně.
- Zda se žaluzie pohybuje normálně.
- Zda je pokojová teplota nastavena dobře.
- Zda kontrolky na displeji fungují normálně.
- Zda tlačítko ručního ovládání „manual“ funguje správně.
- Zda je odtok normální.
- Zda jsou během provozu přítomny vibrace nebo abnormální hluk.
- Zda vnitřní jednotka pracuje správně v režimu CHLAZENÍ nebo OHŘEVU.

#### Venkovní jednotka

- Zda jsou během provozu přítomny vibrace nebo abnormální hluk.
- Zda generované proudění vzduchu, hluk nebo kondenzovaná voda neruší vaše okolí.
- Zda nedochází k nějakému úniku chladiva.

#### ⚠ UPOZORNĚNÍ

- Při opětovném spuštění jednotky dojde k prodlevě kompresoru asi 3 minuty z důvodu ochrany.

### 7.1 KONTROLY MÍSTA PROVOZU

Před zahájením práce na systémech obsahujících hořlavá chladiva je nutné provést bezpečnostní kontroly, které zajistí minimalizaci rizika vznícení. Při opravách chladicího systému je nutné před provedením práce dodržet následující pokyny.

### 7.2 PRACOVNÍ POSTUP

Aby bylo možné minimalizovat riziko výskytu hořlavého plynu nebo výparů v průběhu práce, musí být pracovní kroky prováděny podle řízeného postupu.

### 7.3 CELKOVÁ PRACOVNÍ OBLAST

Všichni pracovníci provádějící údržbu i ostatní osoby pracující v dané oblasti musejí být poučeny o charakteru prováděné práce. Je nutné zamezit práci ve stísněných prostorech. Okolní oblast pracovního místa musí být rozdělena na úseky. Zajistěte bezpečné pracovní podmínky v dané oblasti s ohledem na kontrolu hořlavých materiálů.

### 7.4 KONTROLA PŘÍTOMNOSTI CHLADIVA

Aby bylo možné zajistit, že budou technici obeznámeni s možným hořlavým prostředím, je nutné oblast před a během provádění práce zkontrolovat pomocí vhodného detektoru chladiva. Ujistěte se, že je zařízení používané pro detekci úniku vhodné pro použití s hořlavými chladivy, tj. bezjiskrové, a že je zajištěna jeho dostatečná těsnost nebo jeho jiskrová bezpečnost.

### 7.5 DOSTUPNOST HASICÍHO PŘÍSTROJE

Pokud má být na chladicím zařízení nebo jakýchkoliv příslušených součástech prováděna jakákoliv práce za přítomnosti vysoké teploty, musí být k dispozici vhodný hasicí přístroj. V blízkosti plnicí oblasti umístěte práškový nebo CO<sub>2</sub> hasicí přístroj.

### 7.6 ELIMINOVÁNÍ ZDROJŮ VZNÍCENÍ

Žádné osoby, které provádějí práce spojené s chladicím systémem, zahrnující jakékoliv zpřístupnění potrubí, které obsahuje nebo obsahovalo hořlavé chladivo, nesmějí používat žádné zdroje vznícení takovým způsobem, který by mohl vést ke vzniku nebezpečí požáru nebo výbuchu. U veškerých případných zdrojů vznícení včetně cigaretového kouře musí být zajištěna dostatečná vzdálenost od místa instalace, prací oprav, demontáže a likvidace, během kterých by mohlo případně docházet k uvolňování hořlavého chladiva do okolního prostředí. Před prováděním práce je nutné zkontrolovat okolní oblast zařízení, abyste se ujistili, že nehrozí žádné nebezpečí požáru ani riziko vznícení. Musí být viditelně umístěny tabule „ZÁKAZ KOUŘENÍ“.

### 7.7 ODVĚTRÁVANÁ OBLAST

Zajistěte, aby byla práce prováděna pod širým nebem nebo aby byla oblast před rozpojením soustavy nebo prováděním jakékoliv činnosti za přítomnosti vysoké teploty dostatečně odvětrávána. Nepřetržitě odvětrávání musí být zajištěno po celou dobu provádění práce. Odvětrávání musí bezpečně rozptylovat veškeré uvolněné chladivo a v ideálním případě jej vyfukovat do vnějšího ovzduší.

### 7.8 KONTROLY CHLADICÍCH ZAŘÍZENÍ

Při výměně elektrických součástí musí být tyto součásti vhodné pro dané účely a musí splňovat požadovanou specifikaci. Vždy je nutné postupovat podle pokynů výrobce pro provádění údržby a oprav. V případě nejasností se prosím obraťte na technické oddělení výrobce. U zařízení, používajících hořlavá chladiva, musí být prováděny následující kontroly:

- plnicí objem odpovídá velikosti místnosti, ve které jsou umístěny součásti obsahující chladivo,
- odvětrávací zařízení a výstupní hadice jsou dostatečně funkční a nejsou zakrývány,
- pokud je používán nepřímý chladicí okruh, je nutné dílčí okruhy zkontrolovat ohledně přítomnosti chladiva, označení zařízení musí být i nadále jasně viditelné a čitelné.
- nečitelná označení a tabule je nutné opravit,
- pokud nejsou potrubí chladiva nebo jeho součásti vyrobeny z materiálů přirozeně odolných proti korozi nebo nejsou proti působení koroze vhodně chráněny, musí být umístěny v poloze, kdy je nepravděpodobné jejich vystavení jakýmkoliv látkám, které by mohly mít za následek korozi vedení chladiva.

### 7.9 KONTROLY ELEKTRICKÝCH ZAŘÍZENÍ

Opravy a údržba elektrických součástí musí zahrnovat počáteční bezpečnostní kontroly a kontrolní postupy součástí. Pokud dojde k závadě, která by mohla mít vliv na snížení bezpečnosti, nesmí být obvod připojen k žádnému zdroji elektrické energie, dokud nebude tato závada náležitě odstraněna. Pokud není možné závadu okamžitě odstranit, ale je nutné pokračovat v provozu, je třeba zajistit přiměřené dočasné řešení. Tuto situaci je nutné oznámit vlastníkovvi zařízení, aby byly informovány všechny strany.

#### Počáteční bezpečnostní kontroly musí zajišťovat:

- vybití kondenzátorů: musí být provedeno bezpečným způsobem pro zamezení možnosti jiskření
- zamezení odhalení veškerých elektrických součástí a kabelů pod napětím při plnění, čištění nebo proplachování systému,
- nepřerušené stálé uzemnění.

### 7.10 OPRAVY UTĚSNĚNÝCH SOUČÁSTÍ

- 10.1 Během oprav utěsněných součástí musí být od příslušného zařízení před demontáží utěsněných krytů atd. odpojeny veškeré přívody elektrické energie. Pokud je zachování přívodu elektrické energie do zařízení během opravy nezbytně nutné, potom musí být zajištěno trvalé použití vhodného přístroje pro detekci úniku, který je nutné umístit do nejkritičtějšího místa, aby byla zajištěna výstraha v případě hrozící nebezpečné situace.
- 10.2 Při práci na elektrických součástech je nutné věnovat zvláštní pozornost tomu, aby nedocházelo k pozměňování pláště takovým způsobem, který by měl za následek snížení stupně ochrany. To zahrnuje poškození kabelů, nadměrný počet přípojek, provedení svorek, které neodpovídá originální specifikaci, poškození těsnění, nesprávné upevnění víček apod.
- Zajistěte, aby bylo zařízení bezpečně připevněno.
  - Zajistěte, aby nedocházelo k degradaci těsnění nebo těsnících prostředků do takové míry, že by dále nemohly sloužit ke svému účelu zabránění pronikání hořlavého ovzduší. Náhradní díly musí splňovat specifikace výrobce.

**POZNÁMKA:** Používání silikonových těsnících prostředků může snižovat účinnost některých typů zařízení pro detekci úniku.

Jiskrově bezpečné součásti není nutné před prováděním práce odpojovat.

### 7.11 OPRAVY JISKROVĚ BEZPEČNÝCH SOUČÁSTÍ

Nepoužívejte v obvodu žádnou trvalou indukční ani kapacitní zátěž bez ujištění, že nedojde k překročení povolených hodnot napětí a proudu pro dané zařízení. Jiskrově bezpečné součásti jsou jediným typem, u kterého mohou být v hořlavém prostředí prováděny opravy pod napětím. Zkušební přístroj musí zahrnovat správné nominální hodnoty. Součásti vyměňujte pouze za díly určené výrobcem. Používání jiných dílů by mohlo mít při úniku chladiva za následek jeho vznícení v ovzduší.

### 7.12 KABELY

Zkontrolujte, zda u kabelů nedochází k opotřebení, korozi, nadměrnému tlaku, vibracím, výskytu ostrých hran nebo jiným nepříznivým vlivům prostředí. Při této kontrole je také nutné zohlednit účinky stárnutí nebo trvalých vibrací ze zdrojů, jako jsou např. kompresory nebo ventilátory.

### 7.13 DETEKCE VÝSKYTU HOŘLAVÝCH CHLADIV

Za žádných okolností nesmí být při vyhledávání nebo detekci úniků chladiva používány možné zdroje vznícení. Není dovoleno používat halogenový hořák (nebo jiný detektor s otevřeným plamenem).

### 7.14 METODY DETEKCE ÚNIKU

Následující způsoby detekce úniku jsou považovány za přijatelné pro systémy obsahující hořlavá chladiva. Pro detekci hořlavých chladiv je nutné používat elektronické detektory úniku, u kterých však nemusí být k dispozici dostatečná citlivost, nebo mohou vyžadovat opakovanou kalibraci. (Detekční přístroj je nutné kalibrovat v prostředí bez výskytu chladiva.) Ujistěte se, že není detektor potenciálním zdrojem vznícení a že je vhodný pro dané chladivo. Zařízení pro detekci úniku chladiva musí být nastaveno na koncentraci LFL chladiva, musí být zkalkulován na použité chladivo a musí být ověřena vhodná koncentrace plynu (maximálně 25 %). Kapaliny pro detekci úniku jsou vhodné pro použití u většiny typů chladiva, je však nutné se vyvarovat používání čisticích prostředků s obsahem chloru, protože by mohlo dojít k reakci chloru s chladivem a následně korozi měděného potrubí. Pokud existuje podezření úniku, je nutné odstranit nebo zhasnout všechny zdroje otevřeného plamene. Pokud je zjištěn únik chladiva, který vyžaduje pájení, je nutné ze systému veškeré chladivo vypustit nebo jej soustředit (pomocí uzavíracích ventilů) do části, která je v dostatečné vzdálenosti od místa úniku. Před i po vlastním pájení je potom nutné systém propláchnout dusíkem bez obsahu kyslíku (OFN).

### 7.15 VYPUŠTĚNÍ A VYČERPÁNÍ VZDUCHU

Při přerušení okruhu chladiva za účelem opravy nebo za jakýmkoliv jiným účelem je nutné používat konvenční postupy. Protože je však nutné zohlednit také hořlavost, je důležité používat osvědčený postup. Je nutné dodržet následující postup:

- vypuštění chladiva,
- propláchnutí okruhu inertním plynem,
- vyčerpání vzduchu,
- opětovné propláchnutí inertním plynem, otevření okruhu řezáním nebo pájením.

Náplň chladiva je nutné vypustit do vhodných tlakových lahví. Aby bylo možné zajistit bezpečnost jednotky, musí být provedeno propláchnutí systému dusíkem bez obsahu kyslíku (OFN). Tento proces může být nutné několikrát opakovat.

Pro tuto činnost není dovoleno používat stlačený vzduch ani kyslík.

Propláchnutí lze provést přerušením podtlaku v systému pomocí dusíku bez obsahu kyslíku (OFN) a dalším plněním, dokud nebude dosažen pracovní tlak, následným odvětráním do okolního prostředí a konečným opětovným vytvořením podtlaku. Tento proces je nutné opakovat, dokud se nebude v systému nacházet žádné chladivo.

Po konečném naplnění systému dusíkem bez obsahu kyslíku (OFN) je nutné systém odvětrávat na atmosférický tlak, aby bylo možné provádět další práce. Tato činnost je naprosto zásadní, pokud má být na potrubí prováděno pájení. Ujistěte se, že se výstupní hadice vývěvy nenachází v blízkosti žádných zdrojů vznícení a že je zajištěno odvětrávání.



## 7.16 POSTUPY PLNĚNÍ

Kromě konvenčních postupů plnění je nutné dodržovat následující požadavky:

- Zajistěte, aby při používání plnicího zařízení nedocházelo ke kontaminaci jinými typy chladiva. Hadice nebo potrubí musí být co nejkratší, aby bylo možné minimalizovat množství obsaženého chladiva.
- Lahve musí být umístěny vzpřímeně.
- Před plněním chladiva do systému se ujistěte, že je chladicí systém uzemněn.
- Po ukončení plnění označte systém (pokud to již nebylo provedeno).
- Je nutné extrémně dbát na to, aby nedošlo k přeplnění chladicího systému.
- Před opětovným naplněním systému je nutné provést jeho tlakovou zkoušku pomocí dusíku bez obsahu kyslíku (OFN). Po ukončení plnění je před uvedením systému do provozu nutné jej zkontrolovat ohledně úniku. Následuje zkouška úniku

## 7.17 UVEDENÍ DO PROVOZU

Před provedením tohoto postupu je důležité, aby se technik podrobně seznámil se zařízením a všemi jeho částmi. Doporučený správný postup zahrnuje bezpečné vypouštění veškerého paliva. Před prováděním této činnosti je nutné odebrat vzorek oleje a chladiva.

To je pro případ, kdy by bylo před opětovným použitím regenerovaného chladiva nutné provést analýzu. Před dalším pokračováním v činnosti je důležité, aby byl k dispozici zdroj elektrické energie.

- a) Seznamte se se zařízením a jeho obsluhou.
- b) Odpojte zdroj elektrické energie.
- c) Před prováděním činnosti se ujistěte, že:
  - je k dispozici zařízení pro mechanickou manipulaci, v případě potřeby pro manipulaci s lahvemi na chladivo,
  - jsou k dispozici veškeré osobní ochranné prostředky a jsou správně používány,
  - je při procesu vypouštění zajištěn trvalý dohled kvalifikované osoby,
  - vypouštěcí zařízení a lahve splňují příslušné normy.
- d) Pokud je to možné vypumpujte chladicí systém.
- e) Pokud není k dispozici podtlak, sestavte sběrné potrubí, aby bylo možné vypustit chladivo z různých částí systému.
- f) Před vlastním vypouštěním se ujistěte, že je lahev umístěna na váhách.
- g) Spusťte vypouštěcí zařízení a postupujte podle pokynů výrobce.
- h) Lahve nepřepĺňujte. (Ne více než 80 % objemu kapalné náplně).
- i) Nepřekračujte, a to ani dočasně, maximální provozní tlak lahví.
- j) Po správném naplnění lahví a dokončení procesu zajistěte, aby byly lahve a příslušné zařízení z místa ihned odstraněny a ujistěte se, že jsou všechny odpojovací ventily zařízení uzavřeny.
- k) Vypuštěné chladivo nesmí být bez vyčištění a kontroly plněno do jiného chladicího systému.

## 7.18 OZNAČENÍ

Zařízení musí být označeno údaji o vyřazení z provozu a vyprázdnění náplně chladiva. Na štítku musí být uvedeno datum a podpis. Ujistěte se, že jsou na zařízení umístěny štítky s informací, že zařízení obsahuje hořlavé chladivo.

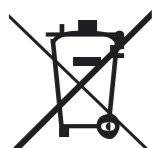
## 7.19 VYPOUŠTĚNÍ

- Při vypouštění chladiva ze systému, za účelem opravy nebo vyřazení z provozu je doporučeným správným postupem bezpečné kompletní vypouštění chladiva.
- Při čerpání chladiva do tlakových lahví zajistěte, aby byly používány pouze vhodné lahve na chladivo. Ujistěte se, že je k dispozici dostatečný počet lahví, který pojme celou náplň systému. Všechny používané tlakové lahve musí být určeny pro vypuštěné chladivo a označeny pro dané palivo (tj. speciální tlakové lahve pro vypouštění chladiva). Tlakové lahve musí být v kompletním bezvadném stavu s pojistným ventilem a přidruženými uzavíracími ventily.
- Z prázdných tlakových lahví musí být před vypouštěním vyčerpán vzduch a pokud je to možné, měly by být také ochlazeny.
- Zařízení pro vypouštění musí být v bezvadném stavu a musí být k dispozici kompletní pokyny pro používání tohoto zařízení, které je určeno pro vypouštění hořlavých typů chladiva. Mimo jiné musí být k dispozici sada kalibrovaných vah, která je také v bezvadném stavu.
- Hadice musí být kompletní, včetně přípojek bez možnosti úniku při odpojení, a v bezvadném stavu. Před použitím zařízení pro vypouštění zkontrolujte, zda je v dostatečném provozuschopném stavu, zda byla správně prováděna jeho údržba a zda jsou všechny přidružené elektrické součásti těsné, aby bylo možné zamezit vznícení v případě úniku chladiva. V případě pochybností se obraťte na vedoucího pracovníka.
- Vypuštěné chladivo je nutné vrátit jeho dodavateli ve vhodné tlakové lahvi a s přiloženým příslušným zápisem o přepravě odpadu. Nemíchejte chladiva v přepravních nádobách a zvláště ne v tlakových lahvích.
- V případě demontáže kompresorů nebo vypouštění kompresorového oleje se ujistěte, že bylo vyčerpání vzduchu provedeno na dostatečnou úroveň, aby bylo možné zabránit výskytu zbytků hořlavého chladiva v mazivu. Proces vyčerpání vzduchu musí být proveden před vrácením kompresoru dodavateli. Pro urychlení tohoto procesu lze použít elektrické ohřívání pláště kompresoru. Při vypouštění oleje ze systému je nutné postupovat bezpečně.

## 7.20 PŘEPRAVA, ZNAČENÍ A SKLADOVÁNÍ JEDNOTEK

1. Přeprava zařízení obsahující hořlavá chladiva Dodržení předpisů pro přepravu
2. Značení zařízení pomocí symbolů Dodržení místních předpisů
3. Likvidace zařízení používajících hořlavá chladiva Dodržení národních předpisů
4. Skladování zařízení/spotřebičů  
Skladování zařízení musí být v souladu s pokyny výrobce.
5. Skladování zabalovaných (neprodaných) zařízení  
Ochranné prvky skladovaných balení musí být konstruovány tak, aby zabránily úniku náplně chladiva v případě mechanického poškození zařízení uvnitř balení.  
Maximální počet kusů zařízení, které je dovoleno skladovat společně bude stanoveno místními předpisy.

Το προϊόν αυτό συμμορφώνεται με την Οδηγία Χαμηλής Τάσης (2014/35/EK), και την Οδηγία για την Ηλεκτρομαγνητική Συμβατότητα (2014/30/EK) της Ευρωπαϊκής Ένωσης.



## Σωστή διάθεση αυτού του προϊόντος (Απόβλητα ηλεκτρικού & ηλεκτρονικού εξοπλισμού)

- (Όταν χρησιμοποιείτε αυτό το κλιματιστικό σε χώρες της Ευρώπης, πρέπει να τηρείτε τις ακόλουθες οδηγίες)
- Αυτή η σήμανση, που εμφανίζεται επάνω στο προϊόν ή στα εγχειρίδια που το συνοδεύουν, υποδεικνύει ότι τα απόβλητα ειδών ηλεκτρικού και ηλεκτρολογικού εξοπλισμού (ΑΗΗΕ σύμφωνα με την οδηγία 2012/19/EK) δεν πρέπει να αναμιγνύονται με τα κοινά οικιακά απόβλητα. Απαγορεύεται ρητώς η απόρριψη αυτής της συσκευής στα οικιακά απόβλητα. Για την απόρριψή της, υπάρχουν αρκετές επιλογές:
1. Ο δήμος διαθέτει συστήματα συλλογής, όπου μπορούν να απορρίπτονται τα ηλεκτρονικά απόβλητα, τα οποία είναι τουλάχιστον χωρίς χρέωση για το χρήστη.
  2. Όταν αγοράζετε ένα νέο προϊόν, το κατάστημα θα πάρει πίσω το παλιό προϊόν τουλάχιστον χωρίς χρέωση.
  3. Ο κατασκευαστής θα πάρει πίσω την παλιά συσκευή τουλάχιστον χωρίς χρέωση για τον χρήστη.
  4. Επειδή τα παλιά προϊόντα περιέχουν πολύτιμα υλικά, μπορούν να πωληθούν σε εμπόρους παλαιών μετάλλων και σιδήρου. Η ανεξέλεγκτη διάθεση αποβλήτων σε δάση και στη φύση θέτει σε κίνδυνο την υγεία σας όταν οι επικίνδυνες ουσίες διαρρέουν στο έδαφος και το νερό και εισέρχονται στην τροφική αλυσίδα.

Αυτό το προϊόν περιέχει φθοριωμένα αέρια καλυπτόμενα από το πρωτόκολλο του Κιότο

Χημική ονομασία του αερίου	R32
Δυναμικό υπερθέρμανσης του πλανήτη (GWP) του αερίου	675

### ΠΡΟΣΟΧΗ

1. Επικολλήστε την εσώκλειστη ετικέτα ψυκτικού δίπλα στη θέση πλήρωσης ή/και ανάκτησης.
2. Γράψτε καθαρά την ποσότητα ψυκτικού που έχει προστεθεί πάνω στην ετικέτα του ψυκτικού, χρησιμοποιώντας ανεξίτηλο μελάνι.
3. Αποτρέψτε τις εκπομπές των περιεχόμενων φθοριωμένων αερίων. Βεβαιωθείτε ότι το φθοριωμένο αέριο δεν εξαερώνεται σε καμία περίπτωση στην ατμόσφαιρα κατά τη διάρκεια της εγκατάστασης, της συντήρησης ή της απόρριψης της συσκευής. Όταν εντοπιστεί οποιαδήποτε διαρροή του περιεχόμενου φθοριωμένου αερίου, η διαρροή θα πρέπει να διακοπεί και να επισκευαστεί το ταχύτερο δυνατόν.
4. Μόνο ειδικευμένο προσωπικό συντήρησης επιτρέπεται να έχει πρόσβαση και να επισκευάζει αυτό το προϊόν.
5. Κάθε χειρισμός των φθοριωμένων αερίων που περιέχονται σε αυτό το προϊόν, όπως κατά τη μετακίνηση του προϊόντος ή τον ανεφοδιασμό με αέριο, πρέπει να συμμορφώνεται με τον Κανονισμό (ΕΚ) αριθμ. 517/2014 για ορισμένα φθοριωμένα αέρια του θερμοκηπίου, καθώς και με κάθε σχετική τοπική νομοθεσία.
6. Εάν το σύστημα διαθέτει σύστημα εντοπισμού διαρροών, θα πρέπει να ελέγχεται για διαρροές τουλάχιστον κάθε 12 μήνες.
7. Όταν πραγματοποιείται έλεγχος του συστήματος για διαρροές, συνιστάται ιδιαίτερα να καταγράφονται σε αρχείο όλοι οι έλεγχοι.

Εσωτερική μονάδα	Εξωτερική μονάδα	Ονομαστική τάση και Hz
42QHP09E8S-1	38QHP09E8S-1	220-240V~, 50Hz
42QHP12E8S-1	38QHP12E8S-1	

Ο κατασκευαστής διατηρεί το δικαίωμα μεταβολής οποιασδήποτε προδιαγραφής του προϊόντος χωρίς προειδοποίηση.

## ΠΕΡΙΕΧΟΜΕΝΑ

<b>1. ΠΡΟΕΤΟΙΜΑΣΙΑ ΓΙΑ ΕΓΚΑΤΑΣΤΑΣΗ</b> .....	<b>3</b>
1.1 Προφυλάξεις ασφαλείας .....	3
1.2 Εξαρτήματα .....	5
1.3 Επιλογή θέσης εγκατάστασης .....	6
<b>2. ΕΓΚΑΤΑΣΤΑΣΗ ΕΣΩΤΕΡΙΚΗΣ ΜΟΝΑΔΑΣ</b> .....	<b>7</b>
2.1 Πλάκα εγκατάστασης εσωτερικής μονάδας .....	7
2.2 Διαδικασία εγκατάστασης .....	8
<b>3. ΕΓΚΑΤΑΣΤΑΣΗ ΕΞΩΤΕΡΙΚΗΣ ΜΟΝΑΔΑΣ</b> .....	<b>9</b>
3.1 Διαστάσεις εγκατάστασης εξωτερικής μονάδας .....	9
3.2 Απαιτήσεις χώρου για την εξωτερική μονάδα .....	9
3.3 Συνδέσεις καλωδίων εξωτερικής μονάδας .....	10
3.4 Εγκατάσταση της εξωτερικής μονάδας .....	10
3.5 Εγκατάσταση του σωλήνα αποστράγγισης για την εξωτερική μονάδα .....	10
<b>4. ΣΥΝΔΕΣΗ ΣΩΛΗΝΩΣΕΩΝ ΨΥΚΤΙΚΟΥ</b> .....	<b>11</b>
4.1 Εκχείλωση .....	11
4.2 Σύνδεση σωληνώσεων .....	11
4.3 Σωλήνας ψυκτικού .....	12
4.4 Εκκένωση αέρα .....	12
4.5 Δοκιμή διαρροών .....	12
<b>5. ΚΑΛΩΔΙΩΣΗ</b> .....	<b>13</b>
<b>6. ΤΕΛΙΚΟΣ ΕΛΕΓΧΟΣ ΚΑΙ ΔΟΚΙΜΑΣΤΙΚΗ ΛΕΙΤΟΥΡΓΙΑ</b> .....	<b>14</b>
6.1 Τελική λίστα ελέγχου .....	14
6.2 Χειροκίνητη λειτουργία .....	14
6.3 Δοκιμαστική λειτουργία .....	14
<b>7. ΠΛΗΡΟΦΟΡΙΕΣ ΓΙΑ ΤΟ ΣΕΡΒΙΣ</b> .....	<b>15</b>



Προσοχή: Κίνδυνος πυρκαγιάς μόνο όσον αφορά το ψυκτικό μέσο R32/R290

## 1.1 ΠΡΟΦΥΛΑΞΕΙΣ ΑΣΦΑΛΕΙΑΣ

- Η εγκατάσταση, εκκίνηση και συντήρηση των κλιματιστικών μπορεί να είναι επικίνδυνη λόγω πιέσεων του συστήματος, ηλεκτρικών μερών και θέσης του εξοπλισμού (οροφές, ανυψωμένες κατασκευές, κ.λπ.).
- Η εγκατάσταση, εκκίνηση και συντήρηση του εξοπλισμού πρέπει να πραγματοποιείται μόνο από εκπαιδευμένους και καταρτισμένους τεχνικούς εγκατάστασης συντήρησης.
- Κατά την εργασία με τον εξοπλισμό, τηρήστε τις προφυλάξεις που περιέχονται στο φυλλάδιο και στις ετικέτες, τα αυτοκόλλητα και τις πινακίδες που συνοδεύουν τον εξοπλισμό.
- Τηρήστε όλους τους κώδικες ασφαλείας. Φοράτε προστατευτικά γυαλιά και γάντια εργασίας. Κατά τις εργασίες συγκόλλησης, χρησιμοποιήστε ειδικά ρούχα προστασίας ηλεκτροσυγκολλητών και φροντίστε να έχετε πρόχειρο έναν πυροσβεστήρα. Να είστε προσεκτικοί κατά το χειρισμό, την ανύψωση και την τοποθέτηση ογκώδους εξοπλισμού.
- Διαβάστε προσεκτικά τις οδηγίες και ακολουθήστε όλες τις προειδοποιήσεις ή προφυλάξεις που περιλαμβάνονται στο φυλλάδιο και αφορούν τη μονάδα. Συμβουλευτείτε τους τοπικούς κανονισμούς για τα κτίρια καθώς και τον Εθνικό Ηλεκτρολογικό Κανονισμό για τυχόν ειδικές απαιτήσεις.

### ! ΠΡΟΕΙΔΟΠΟΙΗΣΗ

Αυτό το σύμβολο υποδεικνύει την πιθανότητα πρόκλησης τραυματισμού ή θανάτου.

- Το ψυκτικό αέριο είναι βαρύτερο από τον αέρα και αντικαθιστά το οξυγόνο. Μια μαζική διαρροή θα μπορούσε να οδηγήσει σε εξάντληση του οξυγόνου, ιδιαίτερα σε υπόγειους χώρους, και θα μπορούσε να προκαλέσει κίνδυνο ασφυξίας που οδηγεί σε σοβαρό τραυματισμό ή θάνατο.
- Όταν τοποθετείτε το κλιματιστικό σε μικρό δωμάτιο, λάβετε κατάλληλα μέτρα ώστε να διασφαλίσετε ότι η συγκέντρωση σε περίπτωση διαρροής ψυκτικού στο δωμάτιο δεν υπερβαίνει το κρίσιμο όριο.
- Αν υπάρξει διαρροή ψυκτικού αερίου κατά τη διάρκεια της εγκατάστασης, αερίστε αμέσως το χώρο. Το ψυκτικό αέριο μπορεί να παράγει τοξικά αέρια σε περίπτωση που έρθει σε επαφή με φωτιά από συσκευές όπως αερόθερμα, σόμπες ή μαγειρικές εστίες. Η έκθεση σε τέτοιου είδους αέριο θα μπορούσε να προκαλέσει σοβαρό τραυματισμό ή θάνατο.
- Αποσυνδέστε τη συσκευή από την πρίζα προτού επιχειρήσετε οποιαδήποτε ηλεκτρολογική εργασία. Συνδέστε το καλώδιο σύνδεσης σωστά. Τυχόν εσφαλμένη σύνδεση μπορεί να οδηγήσει σε καταστροφή των ηλεκτρικών εξαρτημάτων.
- Χρησιμοποιήστε τα καθορισμένα καλώδια για τις ηλεκτρολογικές συνδέσεις και συνδέστε σφικτά τα καλώδια στους ακροδέκτες σύνδεσης ώστε να μην εφαρμόζονται εξωτερικές δυνάμεις στους ακροδέκτες.
- Βεβαιωθείτε ότι έχετε πραγματοποιήσει σύνδεση γείωσης. Μην συνδέετε τη γείωση των μονάδων σε σωλήνες αερίου ή νερού, αλεξικέραυνα ή καλώδια τηλεφώνου. Τυχόν ατελής γείωση μπορεί να προκαλέσει σοβαρό κίνδυνο ηλεκτροπληξίας με αποτέλεσμα τραυματισμό ή θάνατο.
- Απορρίψτε με ασφαλή τρόπο τα υλικά συσκευασίας. Ορισμένα υλικά συσκευασίας, όπως τα καρφιά και άλλα μεταλλικά ή ξύλινα εξαρτήματα, μπορεί να προκαλέσουν τραυματισμούς ή άλλους τραυματισμούς. Ξεχωρίστε και απομακρύνετε τις πλαστικές σακούλες συσκευασίας, έτσι ώστε να μην παίξουν με αυτές παιδιά. Τα παιδιά που παίζουν με πλαστικές σακούλες αντιμετωπίζουν τον κίνδυνο της ασφυξίας.
- Μην τοποθετείτε τη μονάδα κοντά σε μέρη με υψηλές συγκεντρώσεις των εύφλεκτων αερίων ή ατμών αερίου.
- Φροντίστε να χρησιμοποιείτε τα παρεχόμενα εξαρτήματα ή αυτά που ορίζονται αυστηρά για τη συγκεκριμένη εγκατάσταση. Η χρήση διαφορετικών εξαρτημάτων μπορεί να προκαλέσει χαλάρωση του εξοπλισμού, διαρροή νερού, ηλεκτροπληξία, πυρκαγιά ή ζημιά στον εξοπλισμό.
- Κατά την εγκατάσταση ή μετεγκατάσταση του συστήματος, δεν επιτρέπεται ο αέρας ή οποιοσδήποτε άλλες ουσίες, εκτός από το συγκεκριμένο ψυκτικό (R410A), να εισχωρήσουν στο κύκλωμα ψύξης.
- Ποτέ μην τροποποιείτε τη μονάδα αφαιρώντας κάποιο από τα προστατευτικά περιβλήματα ή παρακάμπτοντας οποιαδήποτε από τις διατάξεις αλληλασφάλισης.
- Οι ηλεκτρολογικές εργασίες πρέπει να εκτελούνται σύμφωνα με το εγχειρίδιο εγκατάστασης και τους εθνικούς, πολιτειακούς και τοπικούς κώδικες ηλεκτρικής καλωδίωσης.

### ! ΠΡΟΕΙΔΟΠΟΙΗΣΗ

- Φροντίστε να χρησιμοποιείτε αποκλειστικό κύκλωμα τροφοδοσίας. Το κλιματιστικό δεν πρέπει ποτέ να μοιράζεται την ίδια πρίζα με άλλη συσκευή.
- Για να αποφύγετε τυχόν κίνδυνο λόγω ακούσιας επαναφοράς του θερμικού διακόπτη, η συσκευή αυτή δεν πρέπει να τροφοδοτείται μέσω εξωτερικής συσκευής μεταγωγής, όπως ένας χρονοδιακόπτης, ή να συνδέεται με κύκλωμα που ενεργοποιείται και απενεργοποιείται τακτικά από τη βοηθητική διάταξη.
- Χρησιμοποιείτε τα προβλεπόμενα καλώδια για την ηλεκτρική σύνδεση με μόνωση που προστατεύεται από μονωτικό περίβλημα με κατάλληλη διαβάθμιση θερμοκρασίας. Η χρήση ακατάλληλων καλωδίων μπορεί να προκαλέσει διαρροή ηλεκτρικού ρεύματος, μη ομαλή παραγωγή θερμότητας ή πυρκαγιά.
- Μην χρησιμοποιείτε μέσα για να επιταχύνετε τη διαδικασία αποπαγοποίησης ή για τον καθαρισμό, εκτός από αυτά που προτείνονται από τον κατασκευαστή.
- Η συσκευή θα πρέπει να φυλάσσεται σε χώρους όπου δεν λειτουργούν συνεχώς πηγές ανάφλεξης (για παράδειγμα: εκτεθειμένες φλόγες ή συσκευές αερίου ή ηλεκτρικές συσκευές σε λειτουργία).
- Μην τρυπάτε ή καίτε τη συσκευή.
- Έχετε υπόψη ότι τα ψυκτικά μέσα ενδέχεται να αναδύουν μια οσμή.
- Η συσκευή θα πρέπει να φυλάσσεται σε καλά αεριζόμενο χώρο όπου το μέγεθος του χώρου θα πρέπει να αντιστοιχεί στο μέγεθος του χώρου που έχει καθοριστεί για τη λειτουργία.
- Για τα μοντέλα με ψυκτικό μέσο R32: Η συσκευή θα πρέπει να εγκαθίσταται, να λειτουργεί και να φυλάσσεται σε χώρο με εμβαδόν μεγαλύτερο από 4 m<sup>2</sup>. Η συσκευή δεν πρέπει να εγκαθίσταται σε μη αεριζόμενο χώρο, εάν το εμβαδόν του συγκεκριμένου χώρου είναι μικρότερο από 4 m<sup>2</sup>.
- Για τα μοντέλα με ψυκτικό μέσο R290, το ελάχιστο μέγεθος του χώρου που απαιτείται είναι:
  - Μονάδες <=9000 Btu/h: 13 m<sup>2</sup>
  - Μονάδες >9000 Btu/h και <=12000 Btu/h: 17m<sup>2</sup>
  - Μονάδες >12000 Btu/h και <=18000 Btu/h: 26m<sup>2</sup>
  - Μονάδες >18000 Btu/h και <=24000 Btu/h: 35m<sup>2</sup>

### ! ΠΡΟΣΟΧΗ

Αυτό το σύμβολο υποδεικνύει την πιθανότητα υλικών ζημιών ή σοβαρών συνεπειών.

- Για την αποφυγή τραυματισμών, να είστε προσεκτικοί όταν πιάνετε εξαρτήματα με κοφτερές άκρες.
- Μην τοποθετείτε τις εσωτερικές ή τις εξωτερικές μονάδες σε θέσεις όπου επικρατούν ειδικές περιβαλλοντικές συνθήκες.
- Μην τοποθετείτε τη μονάδα σε χώρο που μπορεί να ενισχύσει το επίπεδο θορύβου της ή σε μέρος όπου ο θόρυβος και ο εξερχόμενος αέρας μπορεί να ενοχλούν τους γείτονες.
- Συνδέστε την αποστράγγιση/τις σωληνώσεις με ασφάλεια, σύμφωνα με το εγχειρίδιο εγκατάστασης. Τυχόν ακατάλληλη σύνδεση σωληνώσεων αποστράγγισης ενδέχεται να έχει ως αποτέλεσμα τη διαρροή νερού και την πρόκληση υλικών ζημιών.
- Μην εγκαθιστάτε το κλιματιστικό στα ακόλουθα σημεία.
  - Σε χώρους όπου υπάρχει ορυκτέλαιο ή αρσενικό οξύ.
  - Σε χώρους όπου είναι πιθανή η συσσώρευση ή συγκέντρωση διαβρωτικών αερίων (όπως αέριο θειώδες οξύ) ή εύφλεκτων αερίων (όπως διαλυτικό), ή όπου πραγματοποιείται χειρισμός πτητικών εύφλεκτων ουσιών.
  - Σε χώρους όπου υπάρχει εξοπλισμός που δημιουργεί ηλεκτρομαγνητικά πεδία ή αρμονικές υψηλής συχνότητας.
- Η συσκευή θα πρέπει να φυλάσσεται κατά τέτοιο τρόπο ώστε να αποφεύγονται οι μηχανικές ζημιές.
- Οποιοδήποτε άτομο που εμπλέκεται στις εργασίες με κυκλώματα ψυκτικού μέσου θα πρέπει να διαθέτει έγκυρη άδεια από μια πιστοποιημένη αρχή αξιολόγησης του κλάδου, η οποία αναγνωρίζει την ικανότητά του να χειρίζεται ψυκτικά μέσα σύμφωνα με μια αναγνωρισμένη από τον κλάδο διαδικασία αξιολόγησης.

## 1.2 ΒΟΗΘΗΤΙΚΑ ΕΞΑΡΤΗΜΑΤΑ

Τα παρακάτω βοηθητικά εξαρτήματα παρέχονται μαζί με τη μονάδα. Ο τύπος και η ποσότητα ενδέχεται να διαφέρουν ανάλογα με τις προδιαγραφές.

Όνομα βοηθητικών εξαρτημάτων	Ποσότητα (τμχ)	Σχήμα	Όνομα βοηθητικών εξαρτημάτων	Ποσότητα (τμχ)	Σχήμα
Μη αυτόματη	3		Τηλεχειριστήριο	1	
Έξοδος αποστράγγισης	1		Μπαταρία	2	
Τσιμούχα	1		Βάση τηλεχειριστηρίου	1	
Πλάκα εγκατάστασης	1		Βίδα Β	2	
Ούπα	5		Μικρό φίλτρο	1	
Βίδα Α	5		Μαγνητικός δακτύλιος (Ορισμένες μονάδες)	N*	

\*Σημαίνει σύμφωνα με την πραγματική ποσότητα

## 1.3 ΕΠΙΛΟΓΗ ΘΕΣΗΣ ΕΓΚΑΤΑΣΤΑΣΗΣ

### Εσωτερική μονάδα

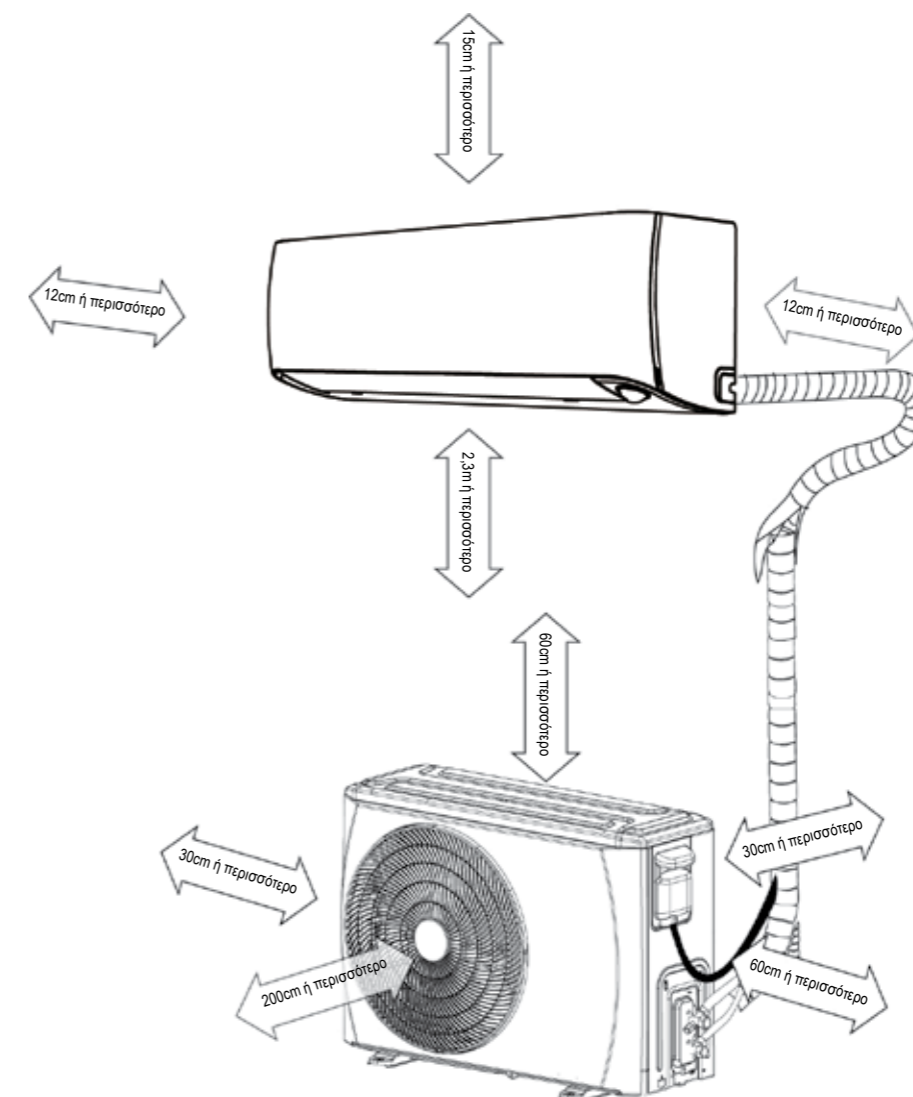
- Ένα σημείο που να μπορεί να αντέξει το βάρος της εσωτερικής μονάδας.
- Μην τοποθετείτε τις εσωτερικές μονάδες κοντά σε άμεσες πηγές θερμότητας, όπως το άμεσο ηλιακό φως ή μια συσκευή θέρμανσης.
- Ένα σημείο που παρέχει επαρκείς αποστάσεις, όπως φαίνεται στην παρακάτω εικόνα.
- Τα κινούμενα μέρη της συσκευής δεν πρέπει να τοποθετούνται/βρίσκονται σε ύψος μικρότερο των 2,3 m από το δάπεδο.

### Εξωτερική μονάδα

- Ένα σημείο που δεν είναι εκτεθειμένο σε ισχυρούς ανέμους.. Εάν η μονάδα είναι εκτεθειμένη σε ισχυρούς ανέμους, συνιστάται η χρήση ανεμοφράκτη.
- Ένα σημείο που να αντέχει το βάρος της εξωτερικής μονάδας και στο οποίο η μονάδα να μπορεί να τοποθετηθεί σε επίπεδη θέση.
- Ένα σημείο που παρέχει επαρκείς αποστάσεις, όπως φαίνεται στην παρακάτω εικόνα.

Μην τοποθετείτε τις εσωτερικές ή τις εξωτερικές μονάδες σε θέσεις όπου επικρατούν ειδικές περιβαλλοντικές συνθήκες.

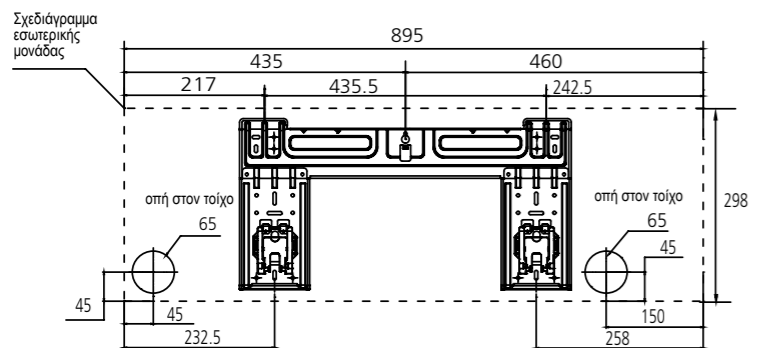
Βεβαιωθείτε ότι υπάρχει επαρκής χώρος για την εγκατάσταση και τη συντήρηση.



Σημείωση: Τηρήστε τις αποστάσεις που υποδεικνύονται με βέλη από τον τοίχο, την οροφή, τον φράχτη ή άλλα εμπόδια.



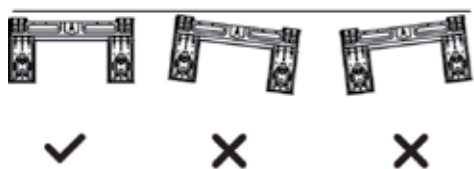
### 2.1 ΠΛΑΚΑ ΕΓΚΑΤΑΣΤΑΣΗΣ ΕΣΩΤΕΡΙΚΗΣ ΜΟΝΑΔΑΣ



Σημείωση: Όταν ο συνδετικός σωλήνας της πλευράς αερίου είναι  $\varnothing 16$  mm (5/8 ίντσας) ή μεγαλύτερος, η οπή του σωλήνα θα πρέπει να είναι 90 mm (3,54 ίντσες).

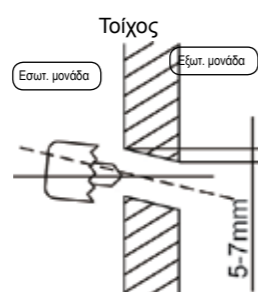
#### ■ Τοποθέτηση της πλάτης εγκατάστασης

Στερεώστε την πλάκα εγκατάστασης οριζόντια και επίπεδα στον τοίχο με πέντε ή περισσότερες βίδες τύπου A.



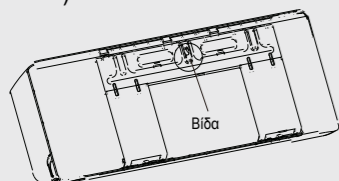
#### ■ Άνοιγμα οπής στον τοίχο

Ανοίξτε μια οπή 65 mm ή 90 mm (ανάλογα το μοντέλο) στον τοίχο με ελαφριά κλίση προς την εξωτερική πλευρά.



Σημείωση:

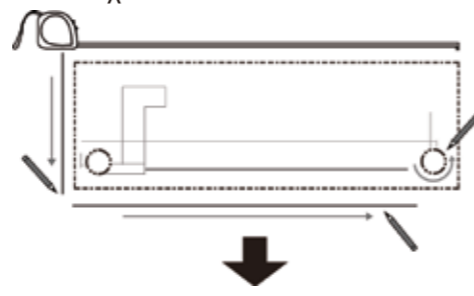
■ Η πλάκα εγκατάστασης είναι στερεωμένη με μια βίδα για ευκολία κατά την αποστολή. Αφαιρέστε τη βίδα πριν από την εγκατάσταση. (βλ. εικόνα)



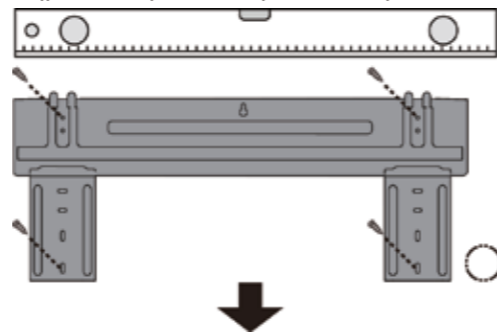
■ Η πλάκα εγκατάστασης θα μοιάζει με μία από τις παρακάτω εικόνες, ανάλογα με το μέγεθος της μονάδας. Οι οπές για τα ούπα θα πρέπει να έχουν βάθος 5 mm.

### 2.2 ΔΙΑΔΙΚΑΣΙΑ ΕΓΚΑΤΑΣΤΑΣΗΣ

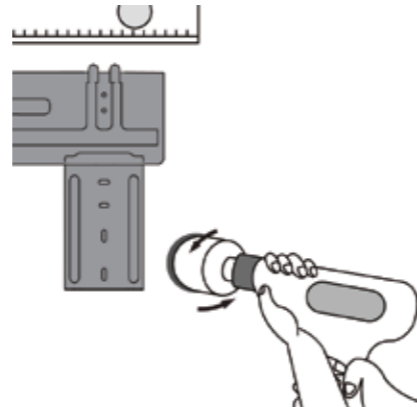
Βήμα 1: Προσδιορίστε τη θέση της οπής στον τοίχο



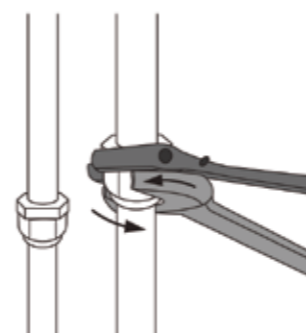
Βήμα 2: Στερεώστε την πλάκα εγκατάστασης



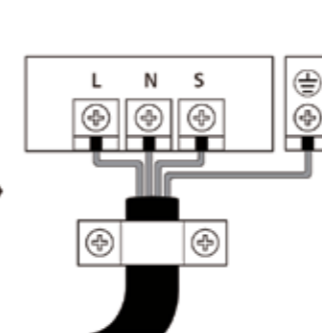
Βήμα 3: Ανοίξτε την οπή στον τοίχο



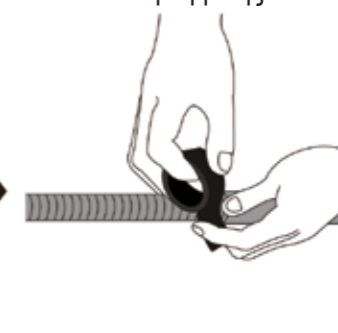
Βήμα 4: Συνδέστε τον σωλήνα



Βήμα 5: Συνδέστε το καλώδιο



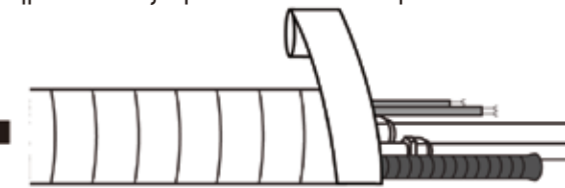
Βήμα 6: Προετοιμάστε τον σωλήνα αποστράγγισης



Βήμα 8: Αναρτήστε την εσωτερική μονάδα

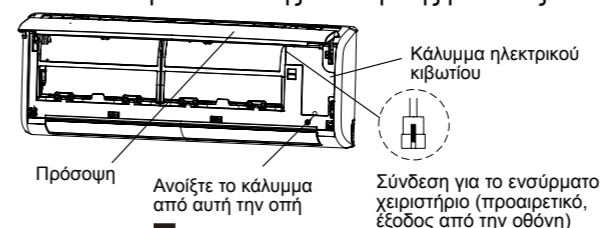


Βήμα 7: Τυλίξτε με ταινία τον σωλήνα και το καλώδιο



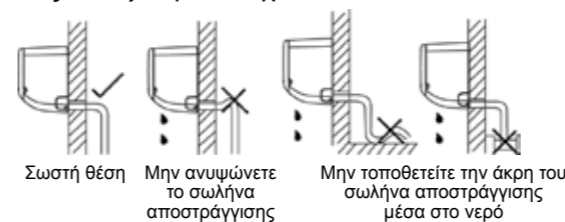
#### ■ Καλωδίωση εσωτερικής μονάδας

1. Ανασηκώστε το μπροστινό κάλυμμα της εσωτερικής μονάδας.
2. Ανοίξτε το κάλυμμα ηλεκτρικών της εσωτερικής μονάδας με ένα κατσαβίδι μέσω της οπής, αφαιρέστε το κάλυμμα του μπλοκ ακροδεκτών με το χέρι και αφαιρέστε τον σφιγκτήρα καλωδίων χαλαρώνοντας τις βίδες.
3. Περάστε τα καλώδια σύνδεσης από το πίσω μέρος της εσωτερικής μονάδας και συνδέστε τα στην πλακέτα ακροδεκτών της εσωτερικής μονάδας.



#### ■ Αποστράγγιση

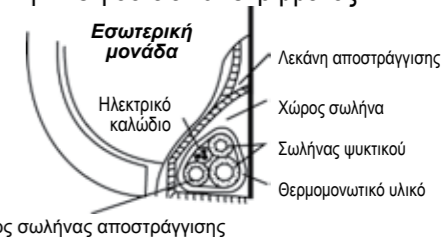
Η γραμμή αποστράγγισης δεν πρέπει να έχει κανένα σημείο κάμψης σε όλο το μήκος της, πρέπει να έχει καθοδική κλίση και πρέπει να είναι μονωμένη έως τον εξωτερικό τοίχο.



#### ■ Τύλιγμα του σωλήνα με ταινία

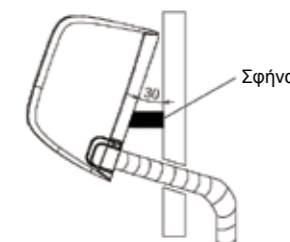
Για τον σωστό προσανατολισμό των γραμμών σωληνώσεων ψυκτικού, των ηλεκτρικών καλωδίων και των γραμμών αποστράγγισης, ανατρέξτε στην παρακάτω εικόνα:

- Τοποθετήστε τον εύκαμπτο σωλήνα αποστράγγισης κάτω από τη σωληνώση ψυκτικού.
- Βεβαιωθείτε ότι ο εύκαμπτος σωλήνας αποστράγγισης δεν έχει ανοδική κλίση ούτε είναι στριμμένος.



#### ■ Ανάρτηση της εσωτερικής μονάδας

1. Περάστε τις γραμμές ψυκτικού μέσα από την οπή στον τοίχο.
2. Αναρτήστε την εσωτερική μονάδα στο επάνω άγκιστρο της πλάκας εγκατάστασης και, στη συνέχεια, πιέστε το κάτω μέρος της εσωτερικής μονάδας προς τον τοίχο και στερεώστε την στο κάτω άγκιστρο.
3. Μετακινήστε την εσωτερική μονάδα από τη μια πλευρά στην άλλη, καθώς και πάνω και κάτω για να ελέγξετε αν έχει αγκιστρωθεί σταθερά.



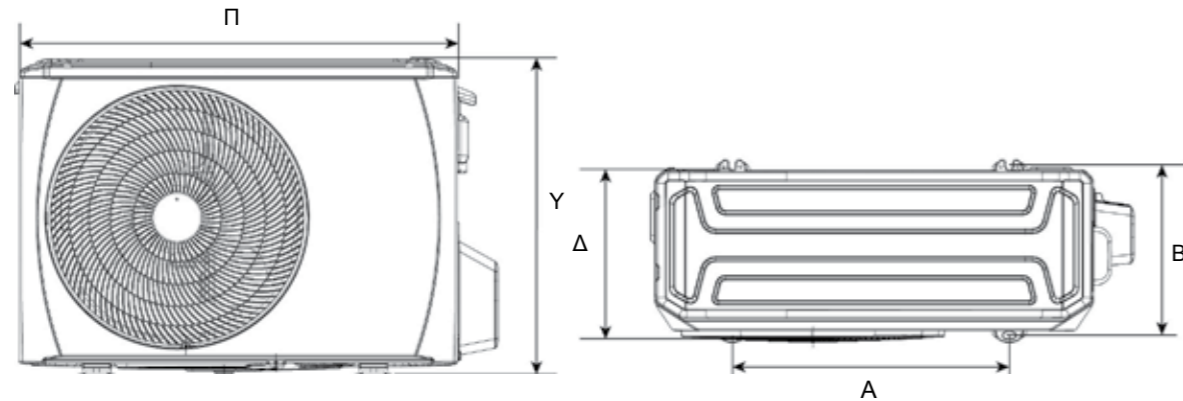
#### ⚠ ΠΡΟΣΟΧΗ

- Τα εξαρτήματα των συνδέσεων του συνδετικού σωλήνα πρέπει να βρίσκονται έξω από τον χώρο.

### 3. ΕΓΚΑΤΑΣΤΑΣΗ ΕΞΩΤΕΡΙΚΗΣ ΜΟΝΑΔΑΣ

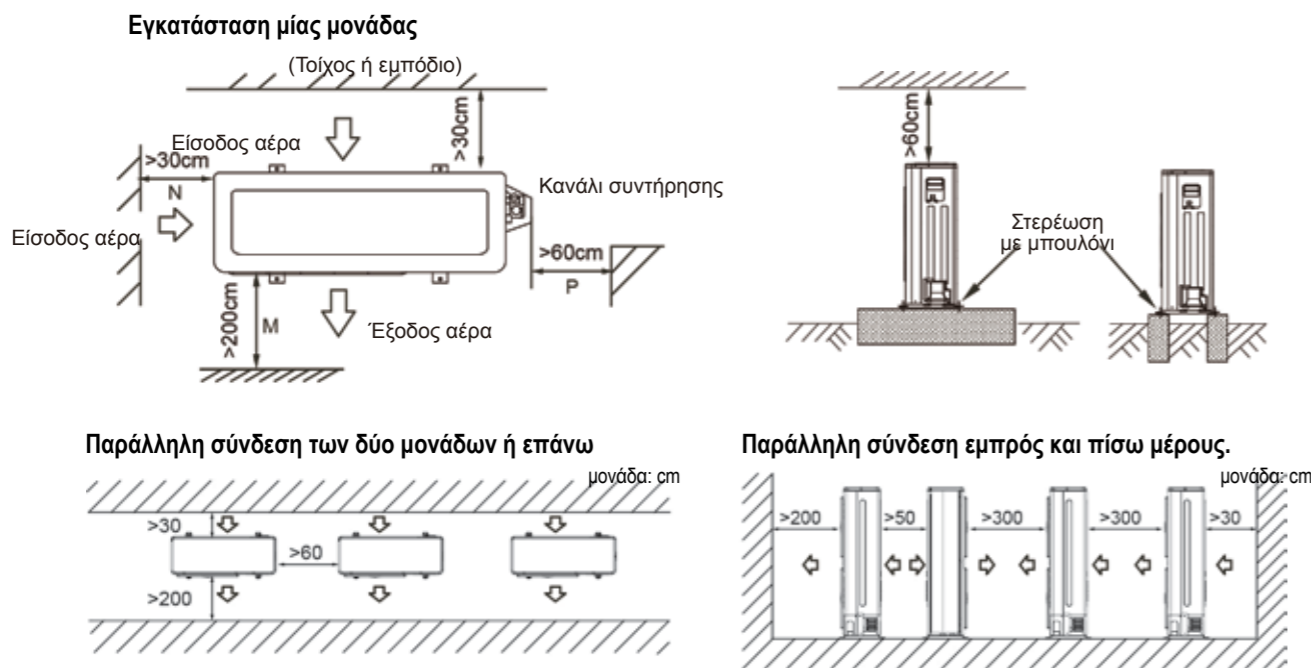
#### 3.1 ΔΙΑΣΤΑΣΕΙΣ ΤΟΠΟΘΕΤΗΣΗΣ ΕΞΩΤΕΡΙΚΗΣ ΜΟΝΑΔΑΣ

Οι διαστάσεις τοποθέτησης ποικίλλουν μεταξύ των διαφόρων εξωτερικών μονάδων. Η διάμετρος της κεφαλής του κοχλία στερέωσης θα πρέπει να είναι μεγαλύτερη από 12mm.



Διαστάσεις εξωτερικής μονάδας (mm)			Διαστάσεις σημείου τοποθέτησης (mm)		
Εξωτερική μονάδα	Π	Υ	Δ	Α	Β
38QHP09E8S-1 38QHP12E8S-1	805	554	330	511	317

#### 3.2 ΑΠΑΙΤΗΣΕΙΣ ΧΩΡΟΥ ΓΙΑ ΤΗΝ ΕΞΩΤΕΡΙΚΗ ΜΟΝΑΔΑ



#### ΠΡΟΣΟΧΗ

- Σε περιοχές με χιονόπτωση και χαμηλές θερμοκρασίες, αποφύγετε την εγκατάσταση της μονάδας σε μέρη όπου μπορεί να καλυφθεί από χιόνι. Σε περιοχές όπου αναμένονται βαριές χιονοπτώσεις, θα πρέπει να εγκαταστήσετε ένα μη παρεχόμενο κάλυμμα προστασίας από τον πάγο και το χιόνι ή/και έναν μη παρεχόμενο ανεμοφράκτη, για την προστασία της μονάδας από τη συσσώρευση χιονιού ή/και το φράξιμο της εισόδου αέρα.

### 3. ΕΓΚΑΤΑΣΤΑΣΗ ΕΞΩΤΕΡΙΚΗΣ ΜΟΝΑΔΑΣ



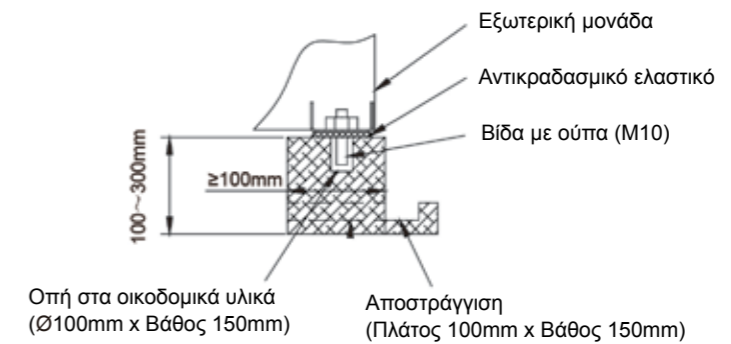
#### 3.3 ΣΥΝΔΕΣΕΙΣ ΚΑΛΩΔΙΩΝ ΕΞΩΤΕΡΙΚΗΣ ΜΟΝΑΔΑΣ

- Αφαιρέστε το κάλυμμα του ηλεκτρικού κιβωτίου και τον σφιγκτήρα καλωδίων, χαλαρώνοντας τις βίδες.
- Συνδέστε τα καλώδια στην πλακέτα ακροδεκτών της εξωτερικής μονάδας ακολουθώντας την ίδια σειρά όπως και στην εσωτερική μονάδα.



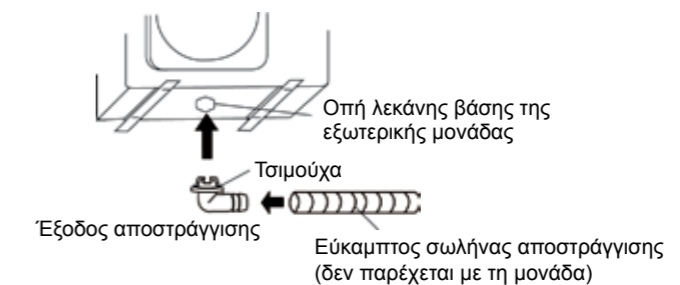
#### 3.4 ΕΓΚΑΤΑΣΤΑΣΗ ΤΗΣ ΕΞΩΤΕΡΙΚΗΣ ΜΟΝΑΔΑΣ

- Πριν από την εγκατάσταση, ελέγξτε την αντοχή και την οριζόντια ευθυγράμμιση της βάσης ώστε να μην παράγονται μη φυσιολογικοί ήχοι.
- Στερεώστε τη βάση σταθερά με μπουλόνια αγκύρωσης (M10) για να αποτρέψετε την κατάρρευσή της.
- Εγκαταστήστε τα αντικραδασμικά ελαστικά θεμελίωσης για απευθείας υποστήριξη της κάτω επιφάνειας το ποδιού στερέωσης που έρχεται σε επαφή με την κάτω πλάκα της εξωτερικής μονάδας.



#### 3.5 ΕΓΚΑΤΑΣΤΑΣΗ ΤΟΥ ΣΩΛΗΝΑ ΑΠΟΣΤΡΑΓΓΙΣΗΣ ΓΙΑ ΤΗΝ ΕΞΩΤΕΡΙΚΗ ΜΟΝΑΔΑ

- Συνδέστε την έξοδο αποστράγγισης με μια προέκταση σωλήνα αποστράγγισης.
- Προσαρμόστε την τσιμούχα στην έξοδο αποστράγγισης.
- Βάλτε το σύνδεσμο εξόδου αποστράγγισης μέσα στην οπή εξόδου της λεκάνης της εξωτερικής μονάδας και περιστρέψτε κατά 90 μοίρες για να ασφαλισουν στη θέση τους.



### ΠΡΟΣΟΧΗ

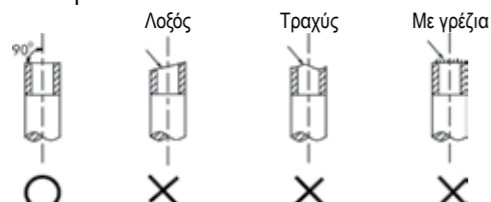
- Ελέγξτε αν η διαφορά ύψους μεταξύ της εσωτερικής και της εξωτερικής μονάδας και το συνολικό μήκος του σωλήνα ψυκτικού πληρούν τις απαιτήσεις του συστήματος.
- Οι εργασίες σωληνώσεων ψυκτικού πραγματοποιούνται μετά από την εγκατάσταση της εσωτερικής και της εξωτερικής μονάδας. Συνδέστε πρώτα τον σωλήνα στην εσωτερική πλευρά και στη συνέχεια στην εξωτερική πλευρά.
- Διατηρείτε πάντα τα άκρα του σωλήνα σφραγισμένα με πώμα ή ταινία κατά τη διάρκεια της εγκατάστασης και ΜΗΝ τα αφαιρείτε παρά μόνο όταν είστε έτοιμοι να συνδέσετε τις σωληνώσεις.
- Βεβαιωθείτε ότι μονώνετε όλες τις σωληνώσεις σε όλη τη διαδρομή σύνδεσής τους μέσα στη μονάδα. Τυχόν εκτεθειμένοι σωλήνες ενδέχεται να προκαλέσουν συμπυκνώματα ή εγκαύματα κατά το άγγιγμα.
- Όταν η εξωτερική μονάδα είναι στην επάνω θέση και η διαφορά επιπέδου είναι μεγαλύτερη από 10 m, συνιστάται η τοποθέτηση γωνίας επιστροφής λαδιού κάθε 5~8 m στον σωλήνα αερίου. Η ακτίνα κάμψης της επιστροφής λαδιού θα πρέπει να είναι τουλάχιστον 10 cm.

### 4.1 ΕΚΧΕΙΛΩΣΗ

#### ΣΗΜΕΙΩΣΗ

- Τα εργαλεία που απαιτούνται για την εκχείλωση είναι κοπτήρας σωλήνων, γλείφανο, εργαλείο εκχείλωσης και μέγγενη.
- Στα μοντέλα με ψυκτικό μέσο R32 τα σημεία σύνδεσης των σωλήνων πρέπει να βρίσκονται έξω από τον χώρο.

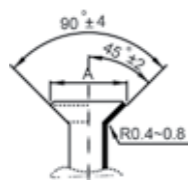
4.1.1 Χρησιμοποιήστε κοπτήρα σωλήνων για να κόψετε τον σωλήνα στο απαιτούμενο μήκος. Βεβαιωθείτε ότι η ακμή κοπής παραμένει σε γωνία 90° με την πλευρά του σωλήνα.



4.1.2 Χρησιμοποιήστε ένα εργαλείο εκχείλωσης για να απομακρύνετε τα γρέζια, με την επιφάνεια κοπής προς τα κάτω για να μην εισέλθουν τα γρέζια στο σωλήνα.

4.1.3 Κάντε τις εργασίες εκχείλωσης με τα εργαλεία εκχείλωσης όπως παρακάτω.

Εξωτερική διάμετρος	A(mm)	
	Μέγ.	Ελάχ.
Ø6,35 mm	8,7	8,3
Ø9,52 mm	12,4	12,0
Ø12,7 mm	15,8	15,4
Ø15,88 mm	19,0	18,6
Ø19,05 mm	23,3	22,9



4.1.4 Ελέγξτε αν έχει γίνει σωστά η εκχείλωση. Δείτε παραδείγματα εσφαλμένης εκχείλωσης σωλήνων παρακάτω.

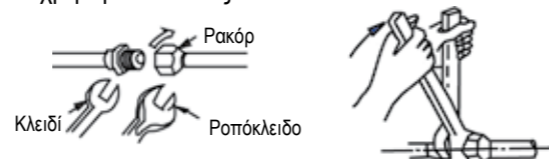


### ΠΡΟΣΟΧΗ

- Αν χρειάζεται συγκόλληση, χρησιμοποιήστε αέριο άζωτο.
- Η εσφαλμένη ροπή θα προκαλέσει ζημιά στο χείλος ή διαρροές αερίου.

### 4.2 ΣΥΝΔΕΣΗ ΣΩΛΗΝΩΣΕΩΝ

4.2.1 Ευθυγραμμίστε τα κέντρα των σωλήνων για να σφίξετε το ρακόρ και ολοκληρώστε τη σύνδεση χρησιμοποιώντας δύο κλειδιά.



Μέγεθος σωλήνα	Ροπή
Ø6,35 mm	18 ~ 20 N.m
Ø9,52 mm	25 ~ 26 N.m
Ø12,7 mm	35 ~ 36 N.m
Ø15,88 mm	45 ~ 47 N.m
Ø19,05 mm	65 ~ 67 N.m

4.2.2 Επιλέξτε το κατάλληλο μονωτικό υλικό για τον σωλήνα ψυκτικού. (Ελάχ. 10 mm, θερμομονωτικός αφρός C)

- Χρησιμοποιήστε ξεχωριστούς σωλήνες θερμικής μόνωσης για τους σωλήνες αερίου και υγρού.
- Το παραπάνω πάχος είναι τυπικό για θερμοκρασία εσωτερικού χώρου 27°C και υγρασία 80%. Εάν η εγκατάσταση γίνεται σε όχι ιδιαίτερα κατάλληλες συνθήκες, όπως κοντά σε μπάνια, κουζίνες και άλλες παρόμοιες θέσεις, ενισχύστε τη μόνωση.
- Η θερμοκρασία αντοχής στη θερμότητα θα πρέπει να είναι μεγαλύτερη από 120°C.
- Χρησιμοποιήστε την κολλητική ουσία στο συνδετικό μέρος της μόνωσης για να αποτρέψετε την είσοδο υγρασίας.
- Επιδιορθώστε και καλύψτε τυχόν ρωγμές στη μόνωση και ελέγξτε κυρίως το τμήμα κάμψης και το άγκιστρο ανάρτησης του σωλήνα.

### 4.3 ΣΩΛΗΝΑΣ ΨΥΚΤΙΚΟΥ

Σημείωση: Η φόρτιση του ψυκτικού μέσου πρέπει να γίνεται από τη θύρα εργασιών συντήρησης στη βαλβίδα χαμηλής πίεσης της εξωτερικής μονάδας.

	Ελάχιστο μήκος για τη μείωση μη φυσιολογικών κραδασμών και θορύβου	Μήκος χωρίς πλήρωση	Πρόσθετη πλήρωση ανά μέτρο	
			Πλευρά υγρού: Ø6,35 mm	Πλευρά υγρού: Ø9,52mm
R32*	3 m	5 m	12 g	24 g

\* Χρησιμοποιήστε εργαλεία για το σύστημα ψυκτικού R32.

#### ΣΗΜΕΙΩΣΗ

- Μεγαλύτερο μήκος σωλήνα σύνδεσης θα επηρεάσει την αποδοτικότητα και την ενεργειακή απόδοση της μονάδας.
- Η ονομαστική απόδοση ελέγχεται με βάση σωλήνα μήκους 5 μέτρων.
- Όταν το μήκος του σωλήνα είναι μεγαλύτερο από 5m, θα πρέπει να προστεθεί επιπλέον ψυκτικό σύμφωνα με το μήκος του σωλήνα.
- Το συνιστώμενο μήκος του σωλήνα είναι όπως παρακάτω.

Μοντέλα	R32 Inverter	
	Μέγ. μήκος σωλήνα (m)	Μέγ. διαφορά ύψους (m)
9K/12K	25	10

\* Χρησιμοποιήστε εργαλεία για το σύστημα ψυκτικού R32.

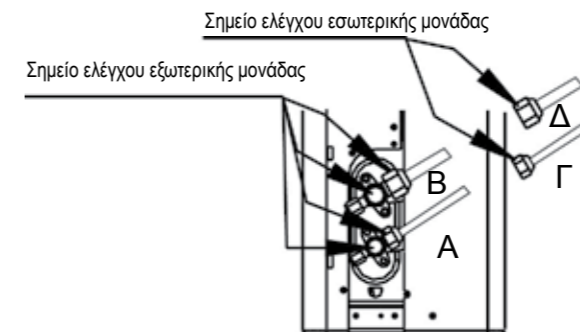
### 4.4 ΕΚΚΕΝΩΣΗ ΑΕΡΑ

- Συνδέστε τον σωλήνα πλήρωσης από το μανόμετρο στην υποδοχή πλήρωσης της βαλβίδας της γραμμής αερίου.
- Συνδέστε τον σωλήνα πλήρωσης στην υποδοχή της αντλίας κενού.
- Ανοίξτε τελείως τον διακόπτη χαμηλής πίεσης της πολλαπλής βαλβίδας μετρητή.
- Θέστε σε λειτουργία την αντλία κενού για να αρχίσει η εκκένωση αέρα από το σύστημα έως τα 76cmHg.
- Κλείστε τον διακόπτη χαμηλής πίεσης της πολλαπλής βαλβίδας μετρητή.
- Ανοίξτε τελείως το στέλεχος βαλβίδας των βαλβίδων.
- Αφαιρέστε τον σωλήνα πλήρωσης από την υποδοχή πλήρωσης.
- Σφίξτε σταθερά τα καπάκια των βαλβίδων.



### 4.5 ΔΟΚΙΜΗ ΔΙΑΡΡΟΩΝ

Μόλις ολοκληρωθούν οι εργασίες σύνδεσης των σωληνώσεων, μην παραλείψετε να ελέγξετε τα συνδετικά μέρη όλων των σωλήνων ψυκτικού και να βεβαιωθείτε ότι δεν υπάρχει διαρροή αερίου, με την εφαρμογή σαπουνιάδας στους σωλήνες ή με τη χρήση ανιχνευτή διαρροών ειδικού για ψυκτικά HFC. Για μια απεικόνιση, ανατρέξτε στην παρακάτω εικόνα.



A: Βαλβίδα απομόνωσης χαμηλής πίεσης  
Γ & Δ: Ρακόρ εσωτερικής μονάδας

B: Βαλβίδα απομόνωσης υψηλής πίεσης

### ΠΡΟΣΟΧΗ

- Όλες οι ηλεκτρολογικές συνδέσεις πρέπει να γίνονται από εξειδικευμένους τεχνικούς εγκαταστάσεων και όλες οι καλωδιώσεις πρέπει να συνδέονται σύμφωνα με το διάγραμμα καλωδιώσεων.
- Κάντε πρώτα τη γείωση, πριν από οποιαδήποτε άλλη ηλεκτρολογική σύνδεση.
- Όλες οι παροχές ρεύματος πρέπει να είναι απενεργοποιημένες πριν ξεκινήσει οποιαδήποτε εργασία καλωδίωσης. Μην ενεργοποιήσετε την παροχή ρεύματος αν δεν έχετε επιβεβαιώσει ότι όλες οι καλωδιώσεις έχουν ελεγχθεί όσον αφορά την ασφάλεια.
- Στην καλωδίωση πρέπει να παρεμβληθεί ένας διακόπτης ή ασφαλειοδιακόπτης, ο οποίος πρέπει να είναι πάνω από 1,5 φορές μεγαλύτερος από το ρεύμα λειτουργίας.
- Πρέπει επίσης να χρησιμοποιείται αποκλειστική παροχή με μονή υποδοχή για το συγκεκριμένο κλιματιστικό.
- Η διατομή του καλωδίου εξαρτάται από το ονομαστικό ρεύμα και από τους εθνικούς, πολιτειακούς και τοπικούς κανονισμούς καλωδίωσης. Συμβουλευτείτε τους τοπικούς κανονισμούς για τα κτίρια καθώς και τον Εθνικό Ηλεκτρολογικό Κανονισμό για τυχόν ειδικές απαιτήσεις.
- Εάν το καλώδιο τροφοδοσίας έχει υποστεί ζημιά, πρέπει να αντικατασταθεί από τον κατασκευαστή, το τμήμα σέρβις της αντιπροσωπείας ή κάποιον ειδικό, προκειμένου να αποφευχθεί τυχόν κίνδυνος.
- Η μονάδα πρέπει να συνδεθεί στο κύριο δίκτυο τροφοδοσίας μέσω ενός διακόπτη ή ασφαλειοδιακόπτη με ελάχιστο διάκενο επαφής 3 mm σε όλους τους πόλους. Συνιστάται η εγκατάσταση μιας διάταξης προστασίας ρεύματος διαρροής (RCD) με ονομαστική ισχύ όχι μεγαλύτερη από 30 mA.
- Αυτή η συσκευή πρέπει να διαθέτει γείωση για να λειτουργήσει.

### Ονομαστικό ρεύμα για κάθε μοντέλο

Μοντέλο	Ονομαστικό ρεύμα (A)	Ονομαστική ισχύς ασφαλειών (A)	Καλώδιο εισόδου ισχύος (με ελάχ. διατομή)	Καλώδιο σύνδεσης (με ελάχ. διατομή)
38QHP09E8S-1	13,0	20	3*1,5 mm <sup>2</sup>	5*1,5 mm <sup>2</sup>
38QHP12E8S-1	13,0	20	3*1,5 mm <sup>2</sup>	5*1,5 mm <sup>2</sup>

### ΣΗΜΕΙΩΣΗ:

1. Όλα τα καλώδια τροφοδοσίας πρέπει να έχουν μέγεθος σύμφωνο με τους εθνικούς, περιφερειακούς και τοπικούς κανονισμούς ηλεκτρικής καλωδίωσης. Συμβουλευτείτε τους τοπικούς κανονισμούς για τα κτίρια καθώς και τον Εθνικό Ηλεκτρολογικό Κανονισμό για τυχόν ειδικές απαιτήσεις.
2. Ο τύπος του εξωτερικού καλωδίου τροφοδοσίας και διασύνδεσης θα πρέπει να είναι H07RN-F.
3. Το ονομαστικό ρεύμα της συσκευής αναφέρεται στην πινακίδα ονομαστικών τιμών.
4. Η ασφάλεια της εξωτερικής μονάδας πρέπει να είναι προδιαγραφής T20A/250 V AC (ισχύει μόνο για μοντέλα που χρησιμοποιούν ψυκτικό μέσο R32). Σημείωση: Η ασφάλεια πρέπει να είναι κεραμική.

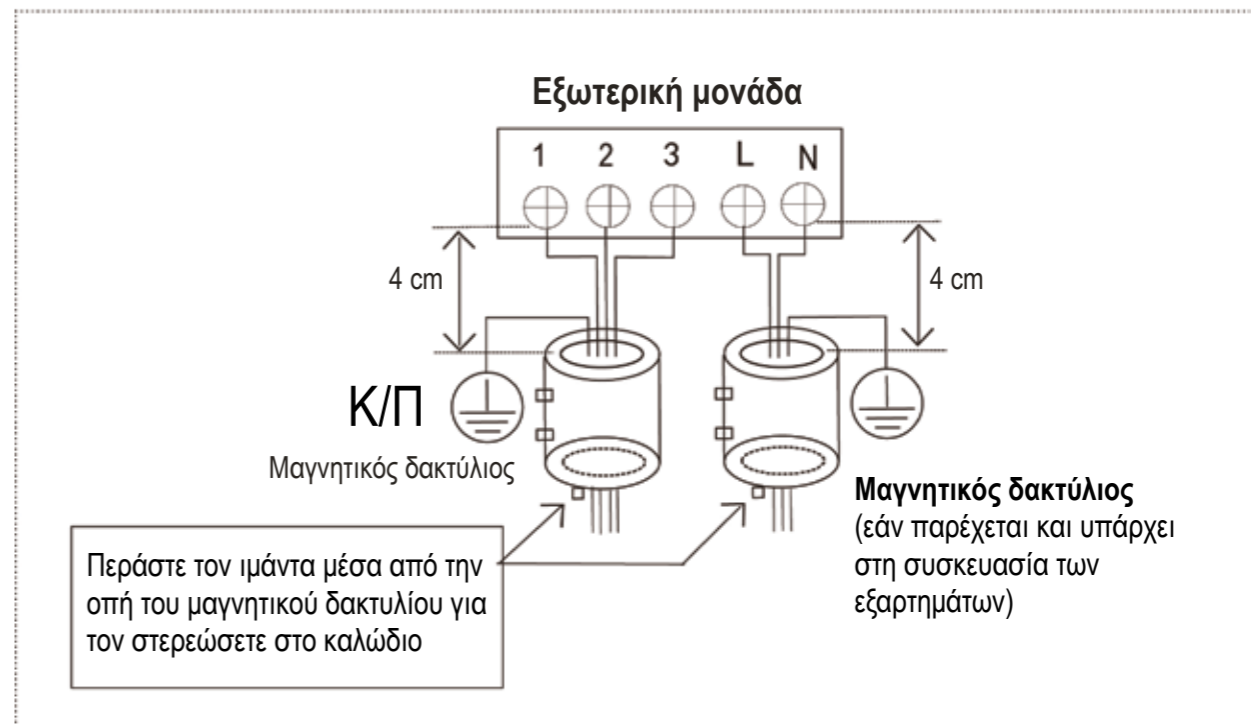
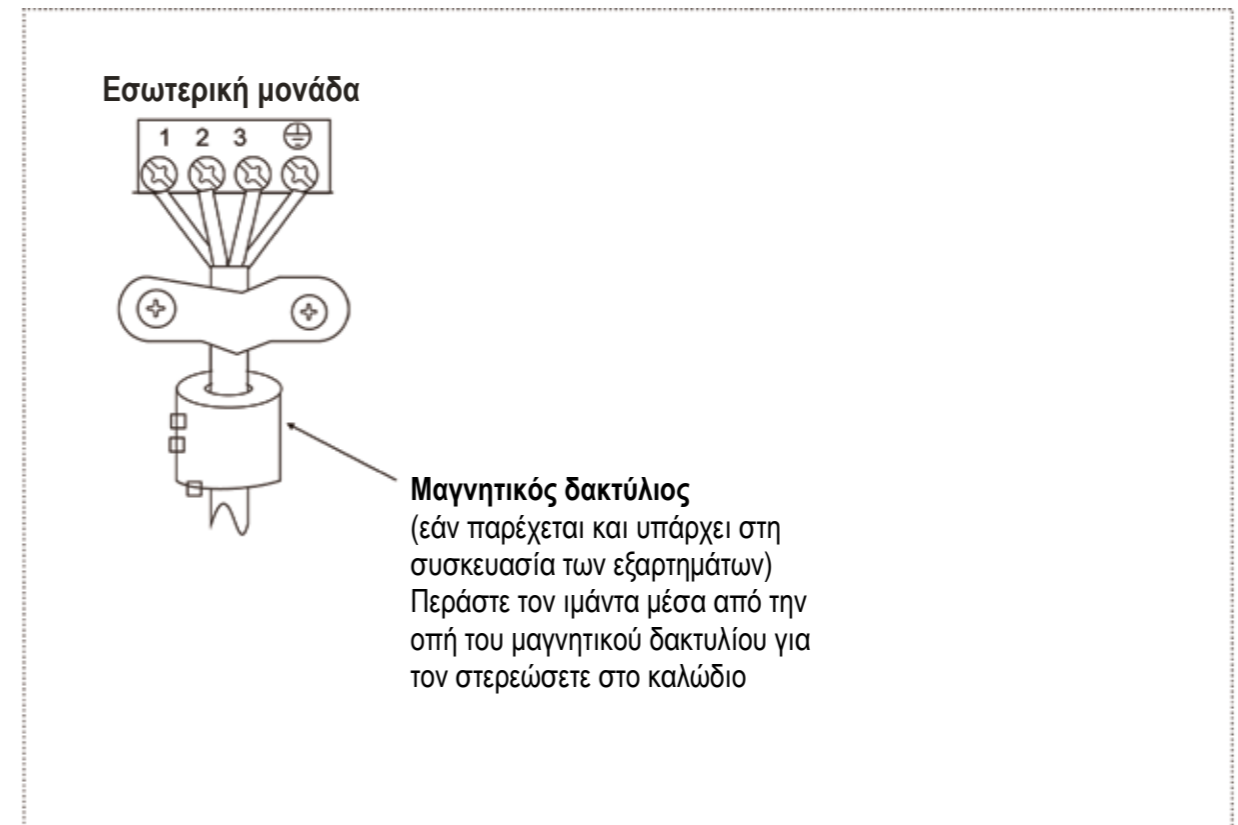


### Διάγραμμα σύνδεσης

Μοντέλο	Εσωτερική μονάδα	Εξωτερική μονάδα
QHP09 QHP12		
	Προς την εξωτερική μονάδα	Είσοδος ισχύος Προς την εσωτερική μονάδα

### ■ Τοποθέτηση μαγνητικού δακτυλίου

Σημείωση: Η πλακέτα ακροδεκτών ενδέχεται να διαφέρει ανάλογα με το μοντέλο.

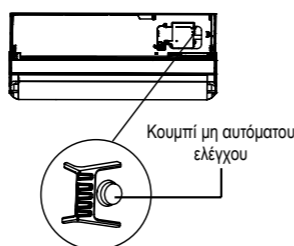




### 6.1 ΤΕΛΙΚΗ ΛΙΣΤΑ ΕΛΕΓΧΟΥ

Για να ολοκληρώσετε την εγκατάσταση, πραγματοποιήστε τους ακόλουθους ελέγχους πριν από τη δοκιμαστική λειτουργία.

- Αντοχή της θέσης εγκατάστασης τόσο στην εσωτερική όσο και στην εξωτερική πλευρά, επιβεβαίωση ότι δεν υπάρχουν εμπόδια στη έξοδο ή την επιστροφή αέρα της ομάδας.
- Σφίξιμο της σύνδεσης του σωλήνα ψυκτικού και επιβεβαίωση ότι δεν υπάρχει διαρροή
- Οι συνδέσεις των ηλεκτρολογικών καλωδιώσεων έχουν πραγματοποιηθεί σωστά και η μονάδα έχει συνδεθεί στη γείωση
- Έλεγχος του συνολικού μήκους των σωληνώσεων και καταγραφή της πρόσθετης ποσότητας ψυκτικού που έχει συμπληρωθεί.
- Η παροχή ρεύματος ταιριάζει με την ονομαστική τάση του κλιματιστικού.
- Μόνωση του σωλήνα
- Αποστράγγιση



### 6.2 ΧΕΙΡΟΚΙΝΗΤΗ ΛΕΙΤΟΥΡΓΙΑ

Η χειροκίνητη λειτουργία ενεργοποιείται με το πάτημα του κουμπιού χειροκίνητης λειτουργίας.

Πατήστε το κουμπί χειροκίνητης λειτουργίας επανειλημμένα για να αλλάξετε τρόπους λειτουργίας ως εξής:

- Μία φορά = ΑΥΤΟΜΑΤΗ λειτουργία (θέρμανση, ψύξη ή ανεμιστήρας, στους 24°C και αυτόματη ταχύτητα ανεμιστήρα).
- Δύο φορές = Λειτουργία ΨΥΞΗΣ [εναλλαγή σε ΑΥΤΟΜΑΤΗ λειτουργία μετά από 30 λεπτά (χρησιμοποιείται κυρίως για δοκιμαστική λειτουργία)].
- Τρεις φορές = ΑΠΕΝΕΡΓΟΠΟΙΗΣΗ

### 6.3 ΔΟΚΙΜΑΣΤΙΚΗ ΛΕΙΤΟΥΡΓΙΑ

Θέστε το κλιματιστικό σε λειτουργία ΨΥΞΗΣ (COOLING) με το τηλεχειριστήριο (ή το κουμπί χειροκίνητης λειτουργίας) και ελέγξτε την κατάσταση λειτουργίας τόσο της εσωτερικής όσο και της εξωτερικής μονάδας. Σε περίπτωση οποιασδήποτε δυσλειτουργίας, διορθώστε το πρόβλημα σύμφωνα με τις οδηγίες του κεφαλαίου "Αντιμετώπιση προβλημάτων" στο "Εγχειρίδιο συντήρησης".

#### Εσωτερική μονάδα

- Ελέγξτε αν τα κουμπιά (όπως ON/OFF, MODE, TEMPERATURE, FAN SPEED κ.λπ.) στο τηλεχειριστήριο λειτουργούν σωστά.
- Ελέγξτε αν η περσίδα κινείται κανονικά.
- Ελέγξτε αν η θερμοκρασία του δωματίου ρυθμίζεται σωστά.
- Ελέγξτε αν οι ενδεικτικές λυχνίες στην οθόνη ενδείξεων είναι φυσιολογικές.
- Ελέγξτε αν το κουμπί χειροκίνητης λειτουργίας λειτουργεί σωστά.
- Ελέγξτε αν η αποστράγγιση γίνεται κανονικά.
- Ελέγξτε αν υπάρχουν κραδασμοί ή ασυνήθιστοι θόρυβοι στη διάρκεια της λειτουργίας.
- Ελέγξτε αν η εσωτερική μονάδα λειτουργεί σωστά στη θέρμανση και την ψύξη.

#### Εξωτερική μονάδα

- Ελέγξτε αν υπάρχουν κραδασμοί ή ασυνήθιστοι θόρυβοι στη διάρκεια της λειτουργίας.
- Ελέγξτε αν η ροή αέρα, ο θόρυβος ή το συμπυκνωμένο νερό από το κλιματιστικό ενοχλούν τους γείτονές σας.
- Ελέγξτε αν υπάρχει διαρροή ψυκτικού.

#### ΠΡΟΣΟΧΗ

- Όταν επανεκκινείτε τη μονάδα, η λειτουργία του συμπιεστή καθυστερεί να ξεκινήσει για περίπου 3 λεπτά για την προστασία της μονάδας.

### 7.1 ΕΛΕΓΧΟΙ ΤΟΥ ΧΩΡΟΥ

Πριν ξεκινήσετε τις εργασίες σε συστήματα που περιέχουν εύφλεκτα ψυκτικά μέσα, είναι απαραίτητη η διεξαγωγή ελέγχων ασφαλείας που εξασφαλίζουν ότι ελαχιστοποιείται ο κίνδυνος ανάφλεξης. Όσον αφορά τις επισκευές στο σύστημα ψυκτικού μέσου, πρέπει να λαμβάνονται οι ακόλουθες προφυλάξεις πριν από την εκτέλεση εργασιών στο σύστημα.

### 7.2 ΔΙΑΔΙΚΑΣΙΑ ΕΡΓΑΣΙΩΝ

Οι εργασίες θα πρέπει να εκτελούνται με βάση μια ελεγχόμενη διαδικασία ώστε να ελαχιστοποιείται ο κίνδυνος από την ύπαρξη εύφλεκτων αερίων ή ατμών κατά την εκτέλεση των εργασιών.

### 7.3 ΧΩΡΟΣ ΓΕΝΙΚΩΝ ΕΡΓΑΣΙΩΝ

Όλα τα μέλη του προσωπικού συντήρησης και οποιοδήποτε άλλο άτομο που εργάζεται στον χώρο θα πρέπει να έχουν λάβει οδηγίες σχετικά με το είδος των εργασιών που εκτελούνται. Θα πρέπει να αποφεύγεται η εργασία σε κλειστούς χώρους. Η περιοχή γύρω από τον χώρο εργασίας θα πρέπει να απομονώνεται. Βεβαιωθείτε ότι οι συνθήκες μέσα στον χώρο είναι ασφαλείς μέσω ελέγχου των εύφλεκτων υλικών.

### 7.4 ΕΛΕΓΧΟΣ ΓΙΑ ΤΗΝ ΠΑΡΟΥΣΙΑ ΨΥΚΤΙΚΟΥ ΜΕΣΟΥ

Ο χώρος θα πρέπει να ελέγχεται με έναν κατάλληλο ανιχνευτή ψυκτικού μέσου πριν από την έναρξη των εργασιών και κατά τη διάρκειά τους, προκειμένου να εξασφαλίζεται ότι ο τεχνικός έχει επίγνωση για δυνητικές εύφλεκτες ατμόσφαιρες. Βεβαιωθείτε ότι ο εξοπλισμός ανίχνευσης διαρροών που χρησιμοποιείται είναι κατάλληλος για χρήση με εύφλεκτα ψυκτικά μέσα, π.χ. δεν υπάρχουν σπινθήρες, είναι επαρκώς στεγανοποιημένος ή εγγενώς ασφαλής.

### 7.5 ΥΠΑΡΞΗ ΠΥΡΟΣΒΕΣΤΗΡΑ

Εάν πρέπει να διεξαχθεί οποιαδήποτε εργασία εν θερμώ στον εξοπλισμό ψύξης ή σε οποιοδήποτε σχετικό μέρος, θα πρέπει να υπάρχει άμεσα διαθέσιμος πυροσβεστήρας. Πρέπει να υπάρχει πυροσβεστήρας ξηράς κόνεως ή CO<sub>2</sub> δίπλα στην περιοχή πλήρωσης.

### 7.6 ΔΕΝ ΠΡΕΠΕΙ ΝΑ ΥΠΑΡΧΟΥΝ ΠΗΓΕΣ ΑΝΑΦΛΕΞΗΣ

Κάθε άτομο που εκτελεί οποιαδήποτε εργασία σε ένα σύστημα ψύξης, η οποία περιλαμβάνει την έκθεση οποιουδήποτε σωλήνα που περιέχει ή περιείχε εύφλεκτο ψυκτικό μέσο, δεν θα πρέπει να χρησιμοποιεί οποιαδήποτε πηγή ανάφλεξης με τέτοιο τρόπο ώστε να υπάρχει κίνδυνος φωτιάς ή ανάφλεξης. Όλες οι δυνητικές πηγές ανάφλεξης, συμπεριλαμβανομένου του καπνίσματος, θα πρέπει να διατηρούνται σε αρκετή απόσταση από την τοποθεσία εγκατάστασης, επισκευής, αφαίρεσης και απόρριψης, κατά τη διάρκεια των οποίων ενδέχεται να απελευθερωθεί εύφλεκτο ψυκτικό μέσο στον περιβάλλοντα χώρο. Πριν από την έναρξη των εργασιών, ο χώρος γύρω από τον εξοπλισμό θα πρέπει να επιθεωρείται, ώστε να εξασφαλίζεται ότι δεν υπάρχουν κίνδυνοι από εύφλεκτα υλικά ή από ανάφλεξη. Θα πρέπει να αναρτηθούν πινακίδες "ΑΠΑΓΟΡΕΥΕΤΑΙ ΤΟ ΚΑΠΝΙΣΜΑ".

### 7.7 ΕΞΑΕΡΙΖΟΜΕΝΟΣ ΧΩΡΟΣ

Βεβαιωθείτε ότι ο χώρος είναι ανοιχτός ή ότι εξαερίζεται επαρκώς πριν από την επέμβαση στο σύστημα ή την εκτέλεση οποιωνδήποτε εργασιών εν θερμώ. Θα πρέπει να υπάρχει εξαερισμός και κατά τη διάρκεια εκτέλεσης των εργασιών. Ο εξαερισμός θα πρέπει να διαχέει με ασφαλή τρόπο τυχόν διαφεύγον ψυκτικό μέσο και κατά προτίμηση θα πρέπει να το εκκενώνει στην εξωτερική ατμόσφαιρα.

### 7.8 ΕΛΕΓΧΟΙ ΣΤΟΝ ΕΞΟΠΛΙΣΜΟ ΨΥΞΗΣ

Όταν γίνεται αλλαγή ηλεκτρικών εξαρτημάτων, θα πρέπει να είναι κατάλληλα για τον σκοπό για τον οποίο προορίζονται και να έχουν τις σωστές προδιαγραφές. Θα πρέπει να τηρούνται πάντα οι οδηγίες συντήρησης και σέρβις του κατασκευαστή. Εάν έχετε αμφιβολίες, ζητήστε τη βοήθεια του τεχνικού τμήματος του κατασκευαστή. Στις εγκαταστάσεις όπου χρησιμοποιούνται εύφλεκτα υλικά, θα πρέπει να πραγματοποιούνται οι ακόλουθοι έλεγχοι:

- Ο χώρος όπου γίνεται η πλήρωση είναι ανάλογος με το μέγεθος του δωματίου όπου τοποθετούνται τα μέρη που περιέχουν ψυκτικό μέσο.
- Τα μηχανήματα και οι έξοδοι εξαερισμού λειτουργούν επαρκώς και δεν παρεμποδίζονται.
- Εάν χρησιμοποιείται κάποιο κύκλωμα έμμεσης ψύξης, τα δευτερεύοντα κυκλώματα θα πρέπει να ελέγχονται για την παρουσία ψυκτικού μέσου και η σήμανση του εξοπλισμού θα πρέπει να παραμένει ορατή και ευανάγνωστη.
- Οι σημάσεις και οι πινακίδες που δεν είναι ευανάγνωστες θα πρέπει να διορθώνονται.
- Ο σωλήνας και τα εξαρτήματα ψυκτικού μέσου πρέπει να τοποθετούνται σε τέτοια σημεία ώστε να μην υπάρχει η πιθανότητα να εκτεθούν σε οποιαδήποτε ουσία που μπορεί να διαβρώσει τα μέρη που περιέχουν ψυκτικό μέσο, εκτός εάν τα μέρη είναι κατασκευασμένα από υλικά που είναι εγγενώς ανθεκτικά στη διάβρωση ή προστατεύονται κατάλληλα από αυτήν.

### 7.9 ΕΛΕΓΧΟΙ ΣΤΙΣ ΗΛΕΚΤΡΙΚΕΣ ΔΙΑΤΑΞΕΙΣ

Η επισκευή και συντήρηση των ηλεκτρικών μερών θα πρέπει να περιλαμβάνει αρχικούς ελέγχους ασφαλείας και διαδικασίες επιθεώρησης των μερών. Εάν υπάρχει κάποια βλάβη που θα μπορούσε να υποβαθμίσει την ασφάλεια, δεν θα πρέπει να συνδεθεί καμία παροχή ρεύματος στο κύκλωμα εάν η βλάβη δεν διορθωθεί ικανοποιητικά. Εάν η βλάβη δεν μπορεί να διορθωθεί αμέσως, αλλά είναι απαραίτητο να συνεχιστεί η λειτουργία, θα πρέπει να χρησιμοποιηθεί μια προσωρινή επαρκής λύση. Αυτό θα πρέπει να αναφέρεται στον κάτοχο του εξοπλισμού, ώστε όλοι οι εμπλεκόμενοι να είναι ενημερωμένοι.

#### Οι αρχικοί έλεγχοι ασφαλείας πρέπει να περιλαμβάνουν τα εξής:

- Οι πυκνωτές πρέπει να αποφορτιστούν: αυτό πρέπει να γίνει με ασφαλή τρόπο ώστε να αποτραπεί η πιθανότητα σπινθήρων.
- Δεν πρέπει να υπάρχουν ενεργά ηλεκτρικά μέρη και καλωδιώσεις που να είναι εκτεθειμένα κατά τη διάρκεια της πλήρωσης, της ανάκτησης ή της εκκένωσης του συστήματος.
- Θα πρέπει να υπάρχει συνέχεια στις συνδέσεις.

### 7.10 ΕΠΙΣΚΕΥΕΣ ΣΕ ΣΤΕΓΑΝΟΠΟΙΗΜΕΝΑ ΜΕΡΗ

- 10.1 Κατά τη διάρκεια επισκευών σε στεγανοποιημένα μέρη, όλες οι ηλεκτρικές παροχές θα πρέπει να αποσυνδέονται από τον εξοπλισμό στον οποίο εκτελούνται οι εργασίες πριν από την αφαίρεση τυχόν στεγανοποιημένων καλυμμάτων, κ.λπ. Εάν απαιτείται οπωσδήποτε μια ηλεκτρική παροχή για τον εξοπλισμό κατά τη διάρκεια της συντήρησης, θα πρέπει να τοποθετηθεί μια μόνιμη διάταξη ανίχνευσης ηλεκτρικών διαρροών στο πιο κρίσιμο σημείο, η οποία θα προειδοποιεί για δυνητικά επικίνδυνες καταστάσεις.
- 10.2 Θα πρέπει να επιδειχτεί ιδιαίτερη προσοχή στα ακόλουθα, ώστε να εξασφαλίζεται ότι κατά την εργασία στα ηλεκτρικά μέρη το περιβλήμα δεν τροποποιείται με τέτοιο τρόπο ώστε να επηρεάζεται το επίπεδο προστασίας. Ενδεικτικά αναφέρονται: ζημιά στα καλώδια, υπερβολικός αριθμός συνδέσεων, διαφορετικοί ακροδέκτες από εκείνους των αρχικών προδιαγραφών, ζημιά στις σφραγίσεις, εσφαλμένη τοποθέτηση στυπιοθλιπτών κ.λπ.
- Βεβαιωθείτε ότι η συσκευή έχει στερεωθεί με ασφάλεια.
  - Βεβαιωθείτε ότι οι στεγανοποιήσεις ή τα υλικά στεγανοποίησης δεν έχουν υποβαθμιστεί σε τέτοιο βαθμό ώστε να μην εξυπηρετούν πλέον τον σκοπό της αποτροπής διείσδυσης εύφλεκτων αερίων. Τα ανταλλακτικά θα πρέπει να πληρούν τις προδιαγραφές του κατασκευαστή.

**ΣΗΜΕΙΩΣΗ:** Η χρήση στεγανοποιητών από σιλικόνη ενδέχεται να μειώσει την αποτελεσματικότητα ορισμένων τύπων εξοπλισμού διαρροών. Τα εγγενώς ασφαλή μέρη δεν χρειάζονται μόνωση για να εργαστείτε σε αυτά.

### 7.11 ΕΡΓΑΣΙΑ ΣΕ ΕΓΓΕΝΩΣ ΑΣΦΑΛΗ ΜΕΡΗ

Μην εφαρμόζετε μόνιμα επαγωγικά ή χωρητικά φορτία στο κύκλωμα εάν δεν έχει εξασφαλιστεί πρώτα ότι δεν θα γίνει υπέρβαση της επιτρεπόμενης τάσης και του επιτρεπόμενου ρεύματος για τον εξοπλισμό που χρησιμοποιείται. Τα εγγενώς ασφαλή μέρη είναι οι μόνοι τύποι όπου μπορείτε να εργαστείτε ενώ είναι ενεργά εν τη παρουσία εύφλεκτης ατμόσφαιρας. Η συσκευή δοκιμής θα πρέπει να έχει τη σωστή διαβάθμιση. Τα μέρη θα πρέπει να αντικαθίστανται μόνο από ανταλλακτικά που έχει καθορίσει ο κατασκευαστής. Η χρήση άλλων ανταλλακτικών μπορεί να προκαλέσει την ανάφλεξη του ψυκτικού μέσου στην ατμόσφαιρα λόγω διαρροής.

### 7.12 ΚΑΛΩΔΙΩΣΕΙΣ

Ελέγξτε ότι οι καλωδιώσεις δεν υπόκεινται σε φθορά, διάβρωση, υπερβολική πίεση, κραδασμούς, κοφτερές ακμές ή τυχόν άλλες αντίξοες περιβαλλοντικές συνθήκες. Ο έλεγχος θα πρέπει επίσης να περιλαμβάνει τα αποτελέσματα της γήρανσης καθώς και συνεχείς κραδασμούς από πηγές όπως οι συμπιεστές και οι ανεμιστήρες.

### 7.13 ΑΝΙΧΝΕΥΣΗ ΕΥΦΛΕΚΤΩΝ ΨΥΚΤΙΚΩΝ ΜΕΣΩΝ

Σε καμία περίπτωση δεν θα πρέπει να χρησιμοποιούνται δυνητικές πηγές ανάφλεξης κατά την αναζήτηση ή την ανίχνευση για διαρροές ψυκτικού μέσου. Δεν θα πρέπει να χρησιμοποιούνται λάμπες αλογόνου (ή οποιαδήποτε άλλη συσκευή ανίχνευσης που χρησιμοποιεί ακάλυπτη φλόγα).

### 7.14 ΜΕΘΟΔΟΙ ΑΝΙΧΝΕΥΣΗΣ ΔΙΑΡΡΟΩΝ

Οι ακόλουθες μέθοδοι ανίχνευσης διαρροών θεωρούνται αποδεκτές για συστήματα που περιέχουν εύφλεκτα ψυκτικά μέσα. Για την ανίχνευση εύφλεκτων ψυκτικών μέσων πρέπει να χρησιμοποιούνται ηλεκτρονικές συσκευές ανίχνευσης, αλλά η ευαισθησία τους ενδέχεται να μην είναι επαρκής ή να χρειάζονται επαναβαθμονόμηση. (Η βαθμονόμηση του εξοπλισμού ανίχνευσης θα πρέπει να πραγματοποιείται σε χώρους απαλλαγμένους από ψυκτικό μέσο.) Βεβαιωθείτε ότι η συσκευή ανίχνευσης δεν αποτελεί πιθανή πηγή ανάφλεξης και είναι κατάλληλη για το ψυκτικό μέσο. Ο εξοπλισμός ανίχνευσης διαρροών θα πρέπει να ρυθμίζεται σε ένα ποσοστό της τιμής LFL του ψυκτικού μέσου και θα πρέπει να βαθμονομείται με βάση το ψυκτικό μέσο που χρησιμοποιείται, καθώς και να επιβεβαιώνεται το κατάλληλο ποσοστό αερίου (25% κατά το μέγιστο). Τα υγρά ανίχνευσης διαρροών είναι κατάλληλα για χρήση με τα περισσότερα ψυκτικά μέσα, ωστόσο η χρήση απορροπτικών που περιέχουν χλώριο θα πρέπει να αποφεύγεται, καθώς το χλώριο ενδέχεται να αντιδράσει με το ψυκτικό μέσο και να διαβρώσει τους χαλκοσωλήνες. Εάν υπάρχει υποψία διαρροής, όλες οι εκτεθειμένες φλόγες θα πρέπει να απομακρύνονται ή να σβήνονται. Εάν εντοπιστεί διαρροή ψυκτικού μέσου η οποία απαιτεί συγκόλληση, θα πρέπει να αφαιρεθεί ή να απομονωθεί (μέσω βαλβίδων αποκοπής) όλη η ποσότητα του ψυκτικού μέσου από το σύστημα σε ένα τμήμα του συστήματος που βρίσκεται μακριά από τη διαρροή. Στη συνέχεια, θα πρέπει να διοχετευθεί άζωτο απαλλαγμένο από οξυγόνο (OFN) σε όλο το σύστημα πριν και κατά τη διάρκεια της διαδικασίας συγκόλλησης.

### 7.15 ΑΦΑΙΡΕΣΗ ΚΑΙ ΕΚΚΕΝΩΣΗ

Κατά τη διάρκεια επεμβάσεων στο κύκλωμα ψυκτικού μέσου για σκοπούς επισκευών ή για οποιονδήποτε άλλο σκοπό, θα πρέπει να ακολουθούνται συμβατικές διαδικασίες. Ωστόσο, είναι σημαντικό να ακολουθούνται οι βέλτιστες πρακτικές, καθώς η αναφλεξιμότητα πρέπει να λαμβάνεται υπόψη. Θα πρέπει να τηρείται η ακόλουθη διαδικασία.

- Αφαίρεση του ψυκτικού μέσου
- Καθαρισμός του κυκλώματος με αδρανές αέριο
- Εκκένωση
- Εκ νέου καθαρισμός με αδρανές αέριο
- Άνοιγμα του κυκλώματος με κοπή ή συγκόλληση

Το ψυκτικό μέσο που αφαιρείται πρέπει να τοποθετείται σε κατάλληλες φιάλες αναπλήρωσης. Το κύκλωμα θα πρέπει να καθαρίζεται με έγχυση OFN για να επανέλθει σε ασφαλή κατάσταση. Αυτή η διαδικασία ενδέχεται να πρέπει να επαναληφθεί μερικές φορές.

Δεν θα πρέπει να χρησιμοποιείται πεπιεσμένος αέρας ή οξυγόνο για αυτήν την εργασία.

Ο καθαρισμός με έγχυση πρέπει να πραγματοποιείται ως εξής: διακοπή του κενού στο σύστημα με OFN και συνέχιση πλήρωσης μέχρι την επίτευξη της πίεσης λειτουργίας, στη συνέχεια εξαερισμός στην ατμόσφαιρα και τέλος επαναφορά σε κενό. Αυτή η διαδικασία πρέπει να επαναλαμβάνεται μέχρι να μην υπάρχει καθόλου ψυκτικό μέσο στο σύστημα.

Όταν χρησιμοποιηθεί η τελική πλήρωση με OFN, πρέπει να γίνει εξαερισμός του συστήματος μέχρι να επιτευχθεί ατμοσφαιρική πίεση που επιτρέπει τη διεξαγωγή των εργασιών. Αυτή η διαδικασία είναι απολύτως απαραίτητη εάν πρόκειται να διεξαχθούν εργασίες συγκόλλησης στις σωληνώσεις. Βεβαιωθείτε ότι η έξοδος για την αντλία κενού δεν είναι κοντά σε οποιοδήποτε πηγές ανάφλεξης και ότι υπάρχει διαθέσιμος εξαερισμός.

### 7.16 ΔΙΑΔΙΚΑΣΙΕΣ ΠΛΗΡΩΣΗΣ

- Εκτός από τις συμβατικές διαδικασίες πλήρωσης, θα πρέπει επίσης να τηρούνται οι ακόλουθες απαιτήσεις:
- Βεβαιωθείτε ότι δεν παρουσιάζεται μόλυνση με διάφορα ψυκτικά μέσα όταν χρησιμοποιείτε εξοπλισμό πλήρωσης. Οι εύκαμπτοι σωλήνες και οι γραμμές πρέπει να έχουν όσο το δυνατό μικρότερο μήκος ώστε να ελαχιστοποιείται η ποσότητα του ψυκτικού μέσου που περιέχουν.
  - Οι φιάλες πρέπει να διατηρούνται σε όρθια θέση.
  - Εξασφαλίστε ότι το σύστημα ψύξης είναι γειωμένο πριν από την πλήρωση του συστήματος με ψυκτικό μέσο.
  - Τοποθετήστε μια ετικέτα στο σύστημα όταν ολοκληρωθεί η πλήρωση (εάν δεν υπάρχει ήδη).
  - Θα πρέπει να επιδειχτεί ιδιαίτερη προσοχή ώστε να μην γίνει υπερπλήρωση του συστήματος.
  - Πριν από την επαναπλήρωση του συστήματος θα πρέπει να πραγματοποιείται δοκιμή της πίεσης με OFN. Θα πρέπει να πραγματοποιούνται δοκιμές για διαρροές στο σύστημα μετά την ολοκλήρωση της πλήρωσης αλλά πριν από την εκκίνηση.

### 7.17 ΔΙΑΚΟΠΗ ΛΕΙΤΟΥΡΓΙΑΣ

Πριν από τη διεξαγωγή αυτής της διαδικασίας, είναι πολύ σημαντικό ο τεχνικός να είναι πλήρως εξοικειωμένος με τον εξοπλισμό και όλα τα στοιχεία του. Σημαντικό στοιχείο καλής πρακτικής είναι η ασφαλής ανάκτηση όλων των ψυκτικών μέσων. Πριν από την εκτέλεση των εργασιών, πρέπει να λαμβάνονται δείγματα λαδιού και ψυκτικού μέσου.

Πριν από τη χρήση ανακτημένου ψυκτικού μέσου, απαιτείται ανάλυση περίπτωσης. Πρέπει απαραίτητα να υπάρχει διαθέσιμη ηλεκτρική παροχή πριν από την έναρξη των εργασιών.

- α) Εξοικειωθείτε με τον εξοπλισμό και τη λειτουργία του.
- β) Μονώστε ηλεκτρικά το σύστημα
- γ) Προτού ξεκινήσετε τη διαδικασία εξασφαλίστε ότι:
  - Υπάρχει διαθέσιμος εξοπλισμός μηχανικού χειρισμού, εάν απαιτείται, για τον χειρισμό των φιαλών ψυκτικού μέσου.
  - Υπάρχει διαθέσιμος και χρησιμοποιείται σωστά όλος ο προσωπικός προστατευτικός εξοπλισμός.
  - Η διαδικασία ανάκτησης εμποτεύεται πάντα από ένα εξουσιοδοτημένο άτομο.
  - Ο εξοπλισμός ανάκτησης και οι φιάλες πληρούν τα κατάλληλα πρότυπα.
- δ) Αδειάστε με άντληση το σύστημα ψυκτικού μέσου, εάν είναι εφικτό.
- ε) Εάν δεν είναι δυνατή η δημιουργία κενού, δημιουργήστε μια πολλαπλή εξαγωγής έτσι ώστε να είναι δυνατή η αφαίρεση του ψυκτικού μέσου από διάφορα μέρη του συστήματος.
- στ) Βεβαιωθείτε ότι η φιάλη είναι τοποθετημένη στις κλίμακες πριν πραγματοποιηθεί η ανάκτηση.
- ζ) Θέστε σε λειτουργία το μηχάνημα ανάκτησης και χρησιμοποιήστε το σύμφωνα με τις οδηγίες του κατασκευαστή.
- η) Μην υπερπληρώνετε τις φιάλες. (Όχι περισσότερο από 80% της ποσότητας πλήρωσης υγρού.)
- θ) Μην υπερβαίνετε τη μέγιστη πίεση λειτουργίας της φιάλης, ακόμη και προσωρινά.
- ι) Όταν οι φιάλες έχουν πληρωθεί σωστά και η διαδικασία έχει ολοκληρωθεί, φροντίστε οι φιάλες και ο εξοπλισμός να απομακρυνθούν αμέσως από την τοποθεσία και να κλείσουν όλες οι βαλβίδες απομόνωσης του εξοπλισμού.
- κ) Το ανακτημένο ψυκτικό μέσο δεν πρέπει να χρησιμοποιείται για την πλήρωση μιας άλλης μονάδας παρά μόνο εάν καθαριστεί και ελεγχθεί.

### 7.18 ΠΡΟΣΘΗΚΗ ΕΤΙΚΕΤΩΝ

Θα πρέπει να τοποθετήσετε ετικέτες στον εξοπλισμό που θα αναφέρουν ότι έχει τεθεί εκτός λειτουργίας και ότι το ψυκτικό μέσο έχει αφαιρεθεί. Η ετικέτα θα πρέπει να αναγράφει την ημερομηνία και να έχει υπογραφή. Βεβαιωθείτε ότι υπάρχουν ετικέτες στον εξοπλισμό που αναφέρουν ότι ο εξοπλισμός περιέχει εύφλεκτο ψυκτικό μέσο.

### 7.19 ΑΝΑΚΤΗΣΗ

- Όταν αφαιρείτε το ψυκτικό μέσο από ένα σύστημα, είτε για σέρβις είτε για διακοπή λειτουργίας, η συνιστώμενη καλή πρακτική είναι να αφαιρούνται με ασφάλεια όλα τα ψυκτικά μέσα.
- Όταν μεταφέρετε το ψυκτικό μέσο σε φιάλες, βεβαιωθείτε ότι χρησιμοποιούνται μόνο κατάλληλες φιάλες ανάκτησης ψυκτικού μέσου. Βεβαιωθείτε ότι υπάρχουν διαθέσιμες αρκετές φιάλες για την αποθήκευση ολόκληρης της ποσότητας πλήρωσης ψυκτικού μέσου του συστήματος. Όλες οι φιάλες που χρησιμοποιούνται πρέπει να είναι κατάλληλες για το ανακτημένο ψυκτικό μέσο και να φέρουν ετικέτες για το συγκεκριμένο ψυκτικό (π.χ. ειδικές φιάλες για την ανάκτηση ψυκτικού μέσου). Οι φιάλες πρέπει να είναι πλήρεις, με βαλβίδα εκτόνωσης πίεσης και κατάλληλες βαλβίδες αποκοπής που λειτουργούν σωστά.
- Πριν από την ανάκτηση, οι κενές φιάλες ανάκτησης θα πρέπει να αδειάζονται και, εάν είναι εφικτό, να ψύχονται.
- Ο εξοπλισμός ανάκτησης πρέπει να είναι σε καλή λειτουργική κατάσταση και να διαθέτει οδηγίες χρήσης για τον συγκεκριμένο εξοπλισμό, καθώς επίσης να είναι κατάλληλος για την ανάκτηση εύφλεκτων ψυκτικών μέσων. Επιπλέον, θα πρέπει να υπάρχουν διαθέσιμες βαθμονομημένες κλίμακες ζύγισης σε καλή λειτουργική κατάσταση.
- Οι εύκαμπτοι σωλήνες πρέπει να είναι πλήρεις, με στεγανούς συνδέσμους αποσύνδεσης και σε καλή λειτουργική κατάσταση. Πριν από τη χρήση του μηχανήματος ανάκτησης, ελέγξτε ότι είναι σε ικανοποιητική λειτουργική κατάσταση, έχει συντηρηθεί σωστά και ότι όλα τα ηλεκτρικά μέρη είναι στεγανοποιημένα, προκειμένου να αποτραπεί ανάφλεξη στην περίπτωση απελευθέρωσης ψυκτικού μέσου. Εάν έχετε αμφιβολίες, επικοινωνήστε με τον κατασκευαστή.
- Το ανακτημένο ψυκτικό μέσο πρέπει να επιστραφεί στον προμηθευτή του ψυκτικού μέσου στην κατάλληλη φιάλη ανάκτησης με τοποθετημένη τη σχετική σήμανση μεταφοράς αποβλήτων. Μην αναμιγνύετε ψυκτικά μέσα στις μονάδες ανάκτησης και ιδιαίτερα στις φιάλες.
- Εάν πρόκειται να αφαιρεθούν συμπιεστές ή λάδια συμπιεστών, βεβαιωθείτε ότι έχουν εκκενωθεί σε αποδεκτό βαθμό, ώστε να εξασφαλίσετε ότι δεν έχει παραμείνει εύφλεκτο ψυκτικό μέσο μέσα στο λιπαντικό. Η διαδικασία εκκένωσης πρέπει να πραγματοποιείται πριν από την επιστροφή του συμπιεστή στους προμηθευτές. Για την επιτάχυνση αυτής της διαδικασίας, επιτρέπεται μόνο η ηλεκτρική θέρμανση του σώματος του συμπιεστή. Όταν πραγματοποιείται αποστράγγιση του λαδιού από ένα σύστημα, αυτό θα πρέπει να γίνεται με προσοχή.

### 7.20 ΜΕΤΑΦΟΡΑ, ΣΗΜΑΝΣΗ ΚΑΙ ΑΠΟΘΗΚΕΥΣΗ ΜΟΝΑΔΩΝ

1. Η μεταφορά εξοπλισμού που περιέχει εύφλεκτα ψυκτικά μέσα πρέπει να πραγματοποιείται σύμφωνα με τους κανονισμούς μεταφοράς.
2. Η σήμανση του εξοπλισμού πρέπει να γίνεται με σύμφωνα με τους τοπικούς κανονισμούς.
3. Η απόρριψη εξοπλισμού που περιέχει εύφλεκτα ψυκτικά μέσα πρέπει να γίνεται σύμφωνα με τους εθνικούς κανονισμούς.
4. Αποθήκευση εξοπλισμού/συσκευών  
Η αποθήκευση του εξοπλισμού θα πρέπει να γίνεται σύμφωνα με τις οδηγίες του κατασκευαστή.
5. Αποθήκευση συσκευασμένου (μη πωληθέντος) εξοπλισμού  
Η προστατευτική συσκευασία αποθήκευσης θα πρέπει να είναι κατασκευασμένη με τέτοιο τρόπο ώστε πιθανή ζημιά στον εξοπλισμό εντός της συσκευασίας να μην προκαλεί διαρροή του ψυκτικού μέσου. Ο μέγιστος αριθμός των τεμαχίων εξοπλισμού που επιτρέπεται να αποθηκεύονται μαζί προσδιορίζεται από τους τοπικούς κανονισμούς.

Ovaj proizvod proglašen je sukladnim Direktivi o niskom naponu (2014/35/EU) i Direktivi o elektromagnetskoj kompatibilnosti (2014/30/EU) Europske unije.



**Ispravno odlaganje ovog proizvoda  
(otpadna električna i elektronička oprema)**

- (Pri uporabi ovog klimatizacijskog uređaja u europskim državama potrebno je slijediti sljedeće upute)
- Ova oznaka na proizvodu ili pratećim uputama ukazuje na to da se otpadna električna i elektronička oprema (OEEO prema Direktivi 2012/19/EZ) ne smije miješati s ostalim kućnim otpadom. Zabranjeno je odlaganje ovog uređaja u obični kućni otpad. Za odlaganje postoji nekoliko mogućnosti:
  - 1. Lokalna uprava uspostavila je sustav za prikupljanje, gdje možete u najmanju ruku besplatno odložiti elektronički otpad.
  - 2. Pri kupnji novog uređaja prodavač će u najmanju ruku bez naknade uzeti stari uređaj.
  - 3. Proizvođač će u najmanju ruku bez naknade uzeti natrag stari uređaj radi odlaganja.
  - 4. Budući da stari uređaji sadrže vrijedne materijale, može ih se prodati u otkup sekundarnih sirovina. Divlje odlaganje otpada u šumama i krajolicima ugrožava vaše zdravlje kada opasne tvari iscure u podzemne vode i uđu u hranidbeni lanac.

Ovaj proizvod sadrži fluorirane plinove obuhvaćene Protokolom iz Kyota.

Kemijsko ime plina	R32
Potencijal globalnog zatopljanja plina	675

**OPREZ**

- |   |   |
|---|---|
| <ol style="list-style-type: none"> <li>1. Nalijepite priloženu deklaraciju rashladnog sredstva kraj mjesta za punjenje i/ili ispušt.</li> <li>2. Čitko, neizbrisivom tintom, zapišite na deklaraciju količinu rashladnog sredstva kojim je uređaj napunjen.</li> <li>3. Spriječite ispuštanje sadržanog fluoriranog plina u okolinu. Obavezno spriječite ispuštanje fluoriranog plina u atmosferu tijekom ugradnje, servisiranja ili odlaganja. Pri svakom primijećenom curenju fluoriranog plina curenje treba zaustaviti i popraviti u najkraćem mogućem roku.</li> </ol> | <ol style="list-style-type: none"> <li>4. Pristup i servisiranje ovog proizvoda dopušteni su samo kvalificiranim ovlaštenim serviserima.</li> <li>5. Svako rukovanje fluoriranim plinom u ovom proizvodu, npr. pri premještanju uređaja ili punjenju plinom, podložno je Uredbi (EZ) br. 517/2014 o određenim fluoriranim stakleničkim plinovima te relevantnim lokalnim propisima.</li> <li>6. Ako sustav ima ugrađen sustav za otkrivanje curenja, mora se provjeravati u pogledu curenja najmanje svakih 12 mjeseci.</li> <li>7. Kada se provjerava ima li curenja na uređaju, izričito se preporučuje propisno vođenje evidencije o svim provjerama.</li> </ol> |
|---|---|

Unutarnja jedinica	Vanjska jedinica	Radni napon i frekvencija
42QHP09E8S-1	38QHP09E8S-1	220-240V~, 50Hz
42QHP12E8S-1	38QHP12E8S-1	

Proizvođač zadržava pravo izmjene bilo kojih specifikacija proizvoda bez najave.

**SADRŽAJ**

<b>1. PRIPREMA ZA UGRADNJU.....</b>	<b>3</b>
1.1 Sigurnosne mjere .....	3
1.2 Dodaci .....	5
1.3 Izbor mjesta ugradnje .....	6
<b>2. UGRADNJA UNUTARNJE JEDINICE .....</b>	<b>7</b>
2.1 Ugradbena ploča unutarnje jedinice .....	7
2.2 Postupak ugradnje .....	8
<b>3. UGRADNJA VANJSKE JEDINICE .....</b>	<b>9</b>
3.1 Dimenzije za ugradnju vanjske jedinice .....	9
3.2 Potreban prostor za vanjsku jedinicu .....	9
3.3 Spajanje vanjske jedinice .....	10
3.4 Ugradnja vanjske jedinice .....	10
3.5 Ugradnja odvodne cijevi za vanjsku jedinicu .....	10
<b>4. PROVOĐENJE CIJEVI RASHLADNOG SREDSTVA .....</b>	<b>11</b>
4.1 Širenje cijevi .....	11
4.2 Provođenje cijevi .....	11
4.3 Cijev rashladnog sredstva .....	12
4.4 Izvlačenje zraka .....	12
4.5 Ispitivanje curenja .....	12
<b>5. OŽIČENJE .....</b>	<b>13</b>
<b>6. ZAVRŠNE PROVJERE I POKUSNI RAD .....</b>	<b>14</b>
6.1 Popis završnih provjera .....	14
6.2 Ručno upravljanje .....	14
6.3 Pokusni rad .....	14
<b>7. INFORMACIJE O SERVISIRANJU .....</b>	<b>15</b>



Oprez: Rizik od požara samo za rashladno sredstvo R32/R290

## 1.1 SIGURNOSNE MJERE

- Ugradnja, pokretanje i servisiranje klimatizacijskih uređaja mogu biti opasni zbog tlakova u sustavu, električnih dijelova te lokacije opreme (krovovi, uzdignute strukture itd.).
- Ugradnju, pokretanje i servisiranje ovog uređaja treba povjeriti samo obučanim, kvalificiranim monterima i serviserima.
- Prilikom rada na uređaju slijedite mjere opreza u popratnim uputama te na oznakama, naljepnicama i natpisima koji se nalaze na uređaju.
- Pridržavajte se svih sigurnosnih propisa. Nosite zaštitne naočale i radničke rukavice. Pri lemljenju neka vam tkanina za gašenje i aparat za gašenje požara budu nadohvat ruke. Budite pažljivi pri rukovanju glomaznim uređajima te pri njihovoj montaži i postavljanju.
- Pažljivo pročitajte ove upute i pridržavajte se svih upozorenja i napomena koji su navedeni u popratnim uputama i pričvršćeni na jedinicu. Provjerite odgovarajuće posebne odredbe lokalnih građevinskih i elektroinstalacijskih propisa.

### ! UPOZORENJE

Ovaj simbol ukazuje na mogućnost ozljede ili smrti.

- **Rashladni plin teži je od zraka i istiskuje kisik. Jače curenje može dovesti do nestanka kisika, naročito u podrumima, što može dovesti do gušenja, a time do teških ozljeda ili smrti.**
- **Ako je klimatizacijski uređaj ugrađen u malu prostoriju, prikladnim mjerama osigurajte da koncentracija iscurjelog rashladnog sredstva ne prijeđe kritičnu razinu.**
- **Ako rashladni plin iscuri tijekom ugradnje, odmah prozračite prostor.**  
Rashladni plin može proizvesti otrovan plin dođe li u dodir s plamenom iz grijača ili štednjaka. Izlaganje tom plinu može uzrokovati teške ili smrtonosne ozljede.
- **Odspojite napajanje prije bilo kakvih električarskih radova. Ispravno spojite spojni kabel.**  
Pogrešno spajanje može dovesti do oštećenja električnih dijelova.
- **Za električne spojeve upotrijebite specificirane kabele i čvrsto pričvrstite žice na konektore terminalnog bloka tako da vanjska sila ne može ugroziti spojeve.**
- **Obavezno uzemljite uređaj.**  
Ne uzemljujte uređaj spajanjem na plinske ili vodovodne cijevi, gromobrane ili telefonske žice. Nepotpuno uzemljenje može uzrokovati opasnost od jakog strujnog udara, koji može dovesti do ozljeda ili smrti.
- **Sigurno odložite materijale u koje je uređaj zapakiran.**  
Materijali u koje je uređaj zapakiran, kao što su čavli i drugi metalni i drveni dijelovi, mogu uzrokovati ubodne i druge ozljede. Razderite i bacite plastične vreće za pakiranje kako se djeca ne bi igrala njima. Djeca koja se igraju plastičnim vrećama mogu se ugušiti.
- **Nemojte ugrađivati u blizini koncentracija zapaljivih plinova ili plinskih para.**
- **Koristite isključivo isporučene ili točno specificirane dijelove za ugradnju.**  
Uporaba drugih dijelova može prouzročiti kvar uređaja, curenje vode, strujni udar, požar ili oštećenje opreme.
- **Pri ugradnji ili premještanju sustava spriječite ulazak zraka ili drugih tvari osim specificiranog rashladnog sredstva (R410A) u rashladni krug.**
- **Nikad nemojte modificirati ovu jedinicu uklanjanjem zaštitnih letvica ili zaobilaženjem sigurnosnih sklopki.**
- **Električni radovi moraju se obavljati u skladu s priručnikom za ugradnju te državnim i lokalnim propisima za električne instalacije.**

### ! UPOZORENJE

- **Obavezno upotrijebite zaseban strujni krug. Nikad nemojte priključivati ovaj uređaj na utičnicu na koju su već priključeni drugi uređaji.**
- **Kako bi se izbjegla opasnost uslijed nenamjernog resetiranja termičkog prekidača, ovaj se uređaj ne smije napajati kroz vanjske preklopne uređaje kao što su tajmeri i ne smije se spajati na strujni krug koji se često uključuje i isključuje.**
- **Upotrijebite propisane izolirane strujne kabele zaštićene ispravnim slojem toplinske izolacije.**  
Nepropisni kabele mogu uzrokovati curenje struje, pretjeranu proizvodnju topline ili požar.
- **Nemojte upotrebljavati sredstva za ubrzavanje postupka odmrzavanja ili čišćenja osim onih koje je preporučio proizvođač.**
- **Uređaj treba pohraniti u prostoriji bez kontinuirano aktivnih izvora zapaljenja (primjerice: otvoren plamen, plinski uređaj ili električni grijač).**
- **Nemojte probadati ili paliti.**
- **Imajte na umu da rashladna sredstva možda nemaju miris.**
- **Uređaj treba pohraniti u dobro prozračenom području, pri čemu veličina prostorije treba odgovarati području određenom za rad.**
- **Za modele s rashladnim sredstvom R32**  
Uređaj treba ugraditi, upotrebljavati i pohraniti u prostoriji koja je veća od 4 m<sup>2</sup>.  
Uređaj ne treba ugrađivati u prostorijama bez ventilacije, ako su manje od 4 m<sup>2</sup>.
- **Za modele s rashladnim sredstvom R290, minimalna potrebna veličina prostorije jest:**  
≤9000 Btu/h jedinica: 13 m<sup>2</sup>  
>9000 Btu/h i ≤12000 Btu/h jedinica: 17 m<sup>2</sup>  
>12000 Btu/h i ≤18000 Btu/h jedinica: 26 m<sup>2</sup>  
>18000 Btu/h i ≤24000 Btu/h jedinica: 35 m<sup>2</sup>

### ! OPREZ

Ovaj simbol ukazuje na mogućnost materijalne štete ili ozbiljnih posljedica.

- **Kako biste izbjegli ozljede, budi oprezni pri rukovanju dijelovima s oštrim rubovima.**
- **Ne ugrađujte ni vanjske ni unutarnje jedinice na mjestima s posebnim okolišnim uvjetima.**
- **Ne ugrađujte na mjesto koje može povećati razinu buke uređaja ili gdje zvuk i ispušteni zrak mogu ometati susjede.**
- **Izvedite radove vezane uz provođenje cijevi i odvod sigurno, prema priručniku za ugradnju.**  
Neispravno provedene odvodne cijevi mogu uzrokovati curenje vode i oštećenja imovine.
- **Ne ugrađujte klimatizacijski uređaj na sljedeća mjesta:**
  - mjesta gdje su prisutna mineralna ulja ili arsenatna kiselina
  - mjesta gdje se mogu nakupljati korozivni plinovi (npr. pare sumporne kiseline) ili zapaljivi plinovi (npr. razrjeđivač) ili gdje se rukuje lako zapaljivim tvarima
  - mjesta na kojima se nalazi oprema koja generira elektromagnetska polja ili visokofrekvencijske harmonike
- **Uređaj treba pohraniti tako da ne postoji mogućnost mehaničkog oštećenja.**
- **Svaka osoba koja je uključena u rad ili prekid optoka rashladnog sredstva mora imati valjan certifikat ovlaštenog tijela za procjenu koji potvrđuje njezinu sposobnost za sigurno postupanje s rashladnim sredstvima u skladu s industrijski priznatom specifikacijom procjene.**

## 1.2 DODACI

Uređaju su priloženi sljedeći dodaci. Njihov tip i količina mogu se razlikovati ovisno o specifikacijama.

Naziv dodatka	Kol. (kom)	Oblik	Naziv dodatka	Kol. (kom)	Oblik
Priručnik	3		Daljinski upravljač	1	
Ispust odvoda	1		Baterija	2	
Brtva	1		Držač daljinskog upravljača	1	
Ugradbena ploča	1		Vijak B	2	
Sidro	5		Mali filter	1	
Vijak A	5		Magnetni prsten (neke jedinice)	Br.*	

\* predstavlja stvarnu količinu

## 1.3 IZBOR MJESTA UGRADNJE

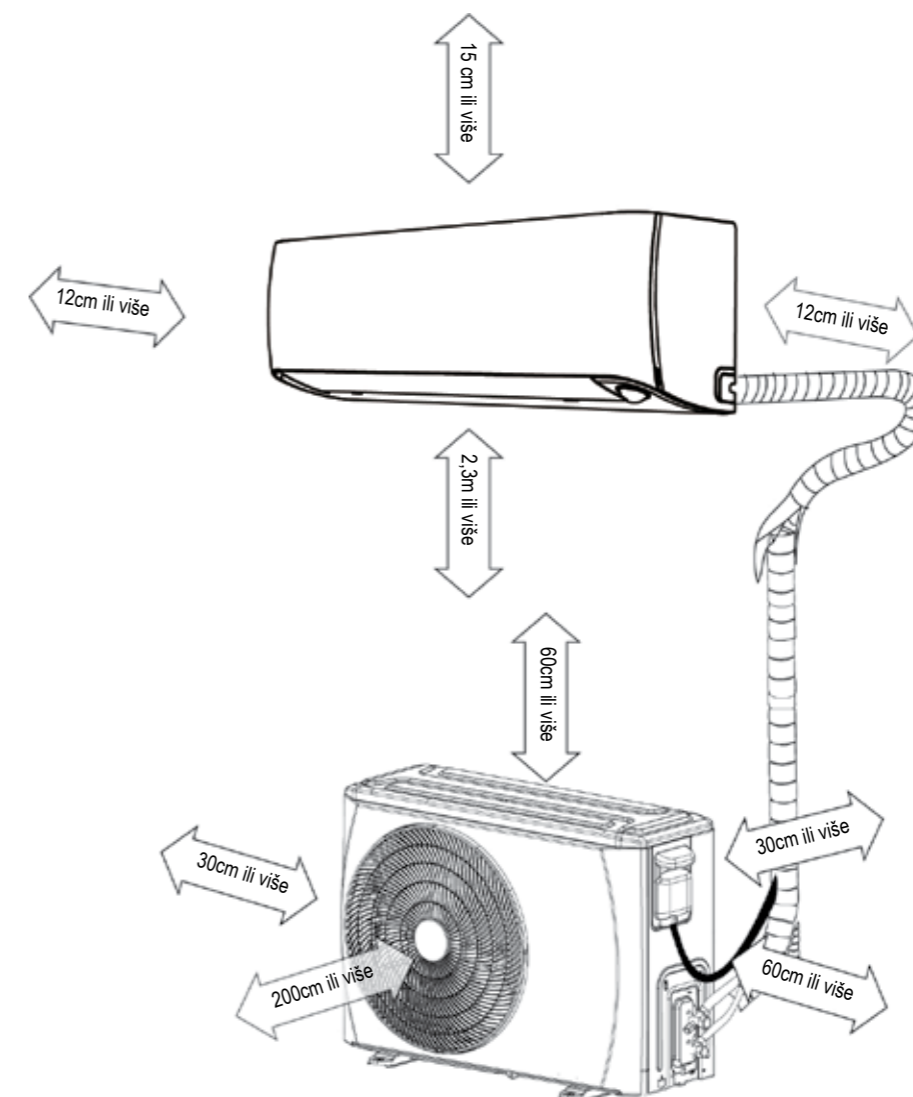
### Unutarnja jedinica

- Mjesto koje može podnijeti težinu unutarnje jedinice.
- Ne ugrađujte unutarnje jedinice u blizini izravnih izvora topline kao što su izravna sunčeva svjetlost ili grijalica.
- Mjesto na kojem postoji dovoljno praznog prostora kako je prikazano na slici u nastavku.
- Pokretni dijelovi uređaja moraju biti ugrađeni/smješteni na visini koja nije manja od 2,3 m od poda.

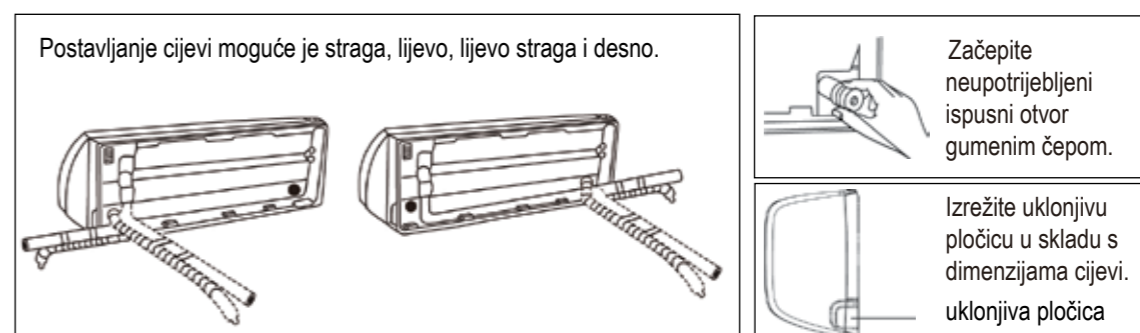
### Vanjska jedinica

- Mjesto pogodno za ugradnju i koje nije izloženo jakom vjetru. Ako je vanjska jedinica izložena jakim vjetrovima, preporučuje se uporaba zaštitne pregrade.
- Mjesto koje može podnijeti težinu vanjske jedinice i na kojem se jedinica može ugraditi ravno.
- Mjesto na kojem postoji dovoljno praznog prostora kako je prikazano na slici u nastavku.

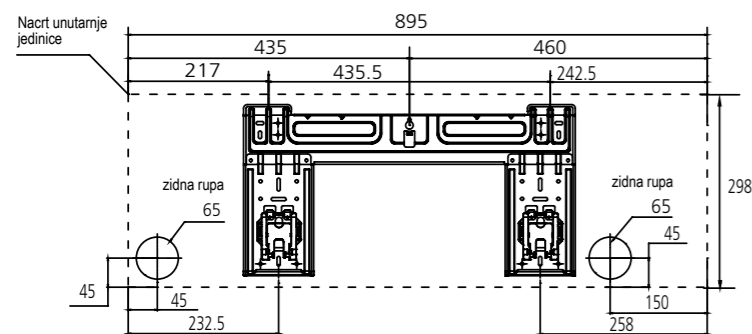
Ne ugrađujte ni vanjske ni unutarnje jedinice na mjestima s posebnim okolišnim uvjetima. Uvjerite se da imate dovoljno prostora za ugradnju i održavanje.



Napomena: Osigurajte strelicama označene razmake od zida, stropa, ograde ili drugih prepreka.



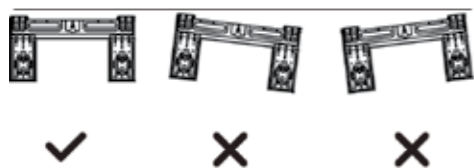
### 2.1 UGRADBENA PLOČA UNUTARNJE JEDINICE



Napomena: Ako spojna cijev za plin ima promjer 16 mm (5/8 in) ili veći, otvor cijevi treba biti 90 mm (3,54 in).

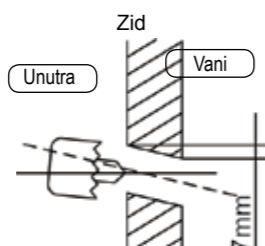
#### Montirajte ugradbenu ploču

Pričvrstite ugradbenu ploču u vodoravnom položaju i u ravni sa zidom s pomoću pet ili više vijaka tipa A.



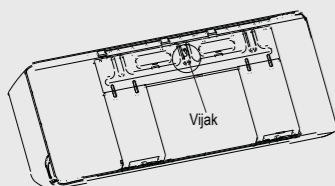
#### Izbušite rupu u zidu

U zidu izbušite rupu promjera 65 mm ili 90 mm (ovisno o modelima) tako da bude lagano nakošena prema van.



#### Napomena:

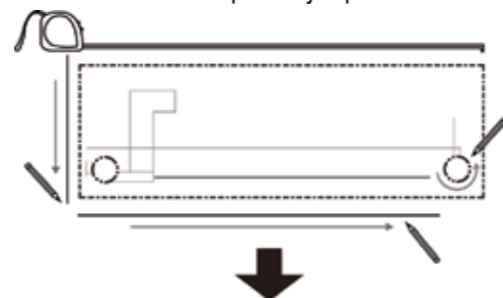
Ugradbena ploča pričvršćena je vijkom radi lakšeg prijevoza. Prije ugradnje uklonite vijak. (vidi sliku)



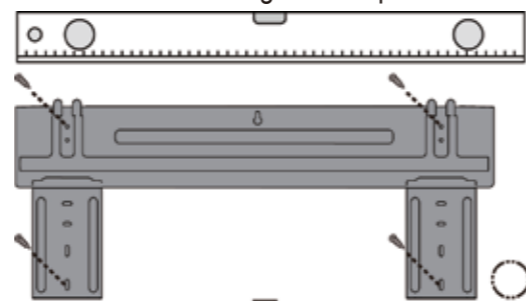
Ugradbena ploča izgleda kao jedna od sljedećih ploča ovisno o veličini uređaja. Rupe za pričvršćivanje sidara moraju biti promjera 5 mm.

### 2.2 POSTUPAK UGRADNJE

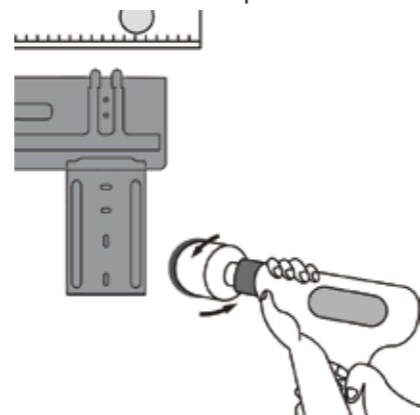
#### 1. korak: Odredite položaj rupe u zidu



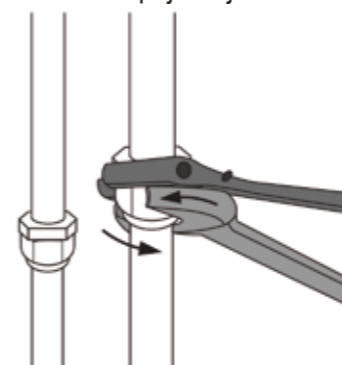
#### 2. korak: Pričvrstite ugradbenu ploču



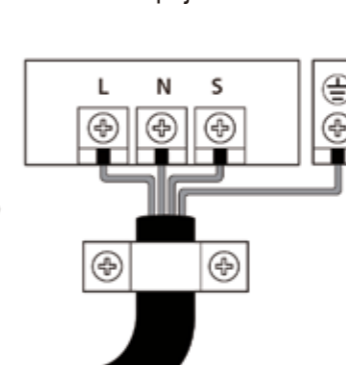
#### 3. korak: Izbušite rupu u zidu



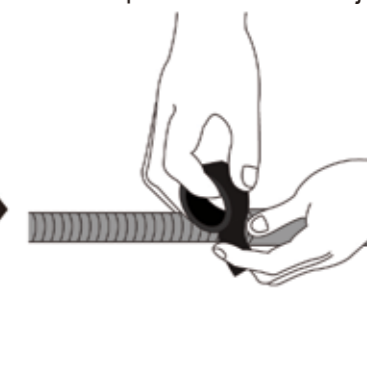
#### 4. korak: Spojite cijev



#### 5. korak: Spojite žicu



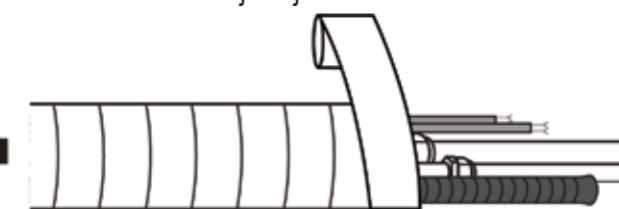
#### 6. korak: Pripremite odvodno crijevo



#### 8. korak: Objesite unutarnju jedinicu

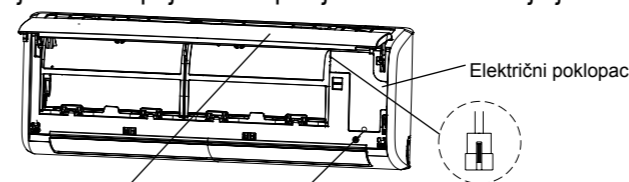


#### 7. korak: Omotajte cijev i kabel

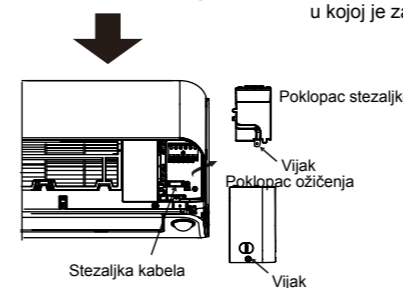


#### Spajanje unutarnje jedinice

1. Podignite prednju ploču unutarnje jedinice.
2. Otvorite električni poklopac kroz otvor unutarnje jedinice pomoću odvijača, rukom uklonite poklopac priključnog bloka i uklonite stezaljku kabla otpuštanjem vijaka
3. Provedite spojne žice sa stražnje strane unutarnje jedinice i spojite ih na priključni blok unutarnje jedinice.



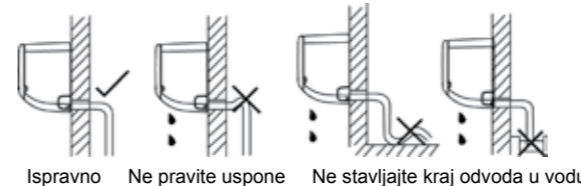
Prednja ploča Otvorite poklopac s ovog otvora Priključak za žičani upravljač (opcionalan, nalazi se u kutiji u kojoj je zaslon)



Stezaljka kabla Vijak Poklopac stezaljke Vijak Poklopac ožičenja

#### Odvod

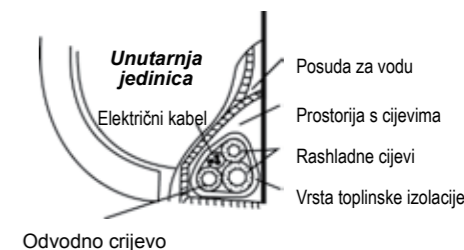
Odvodni vod nigdje ne smije imati koljeno, mora teći prema dolje i mora biti izoliran sve do vanjskog zida.



#### Omotajte cijev

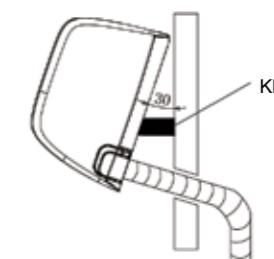
Za ispravnu orijentaciju rashladnih cijevi, strujnih kabela i odvodnih vodova pogledajte sliku u nastavku:

- Postavite odvodnu cijev ispod rashladnih cijevi.
- Pripazite da odvodna cijev nije prelomljena i da ne vijuga.



#### Objesite unutarnju jedinicu

1. Provučite rashladne linije kroz rupu u zidu.
2. Objesite unutarnju jedinicu na gornju kuku ugradbene ploče, potom pogurnite donji dio unutarnje jedinice na donju kuku na zidu.
3. Pomicanjem jedinice lijevo-desno i gore-dolje provjerite je li jedinica sigurno učvršćena.

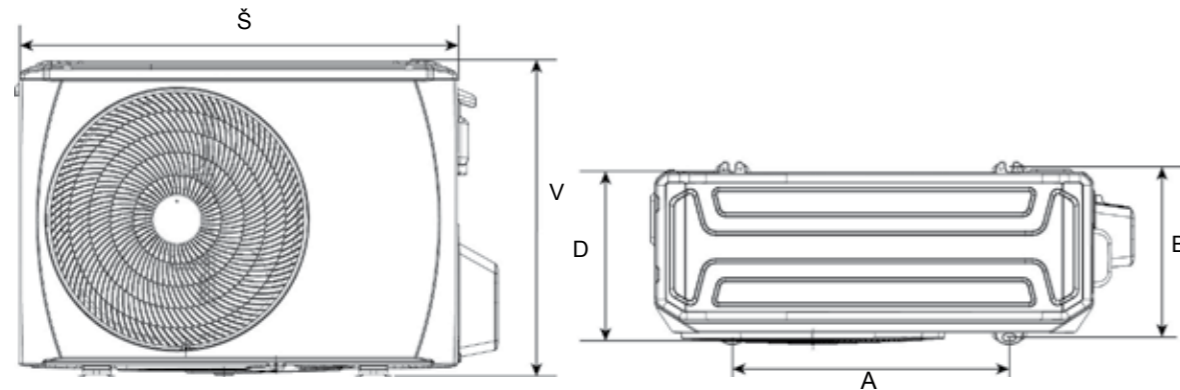


#### OPREZ

- Priključni dijelovi spojne cijevi moraju biti smješteni izvan prostorije.

#### 3.1 DIMENZIJE ZA UGRADNJU VANJSKE JEDINICE

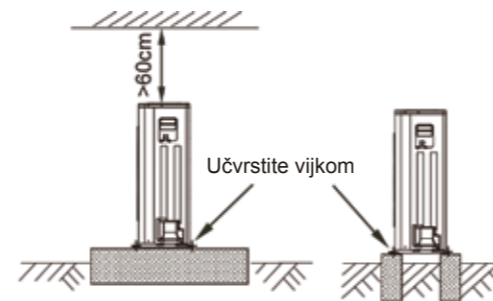
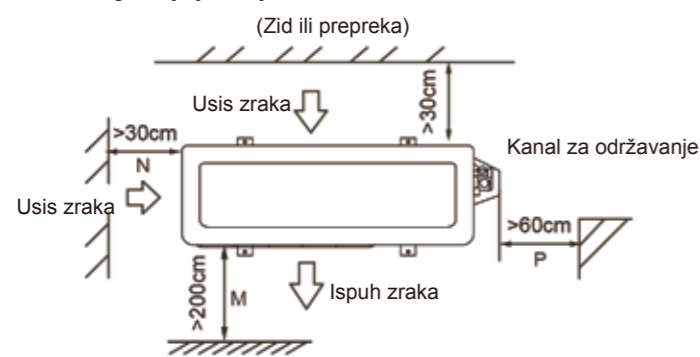
Dimenzije za ugradnju razlikuju se između različitih vanjskih jedinica. Promjer glave vijaka za pričvršćivanje mora biti veći od 12mm.



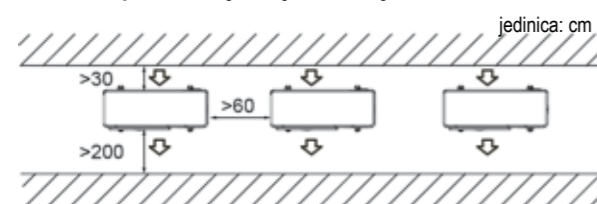
Dimenzije vanjske jedinice (mm)			Dimenzije za ugradnju (mm)		
Vanjska jedinica	Š	V	D	A	B
38QHP09E8S-1 38QHP12E8S-1	805	554	330	511	317

#### 3.2. POTREBAN PROSTOR ZA VANJSKU JEDINICU

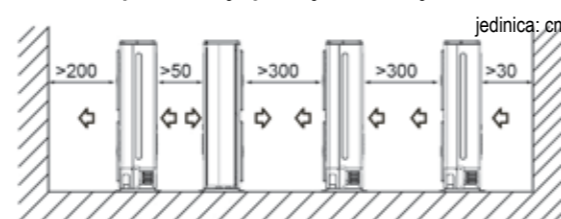
##### Ugradnja jedne jedinice



##### Paralelno povezivanje dviju ili više jedinica



##### Paralelno povezivanje prednjih i stražnjih strana

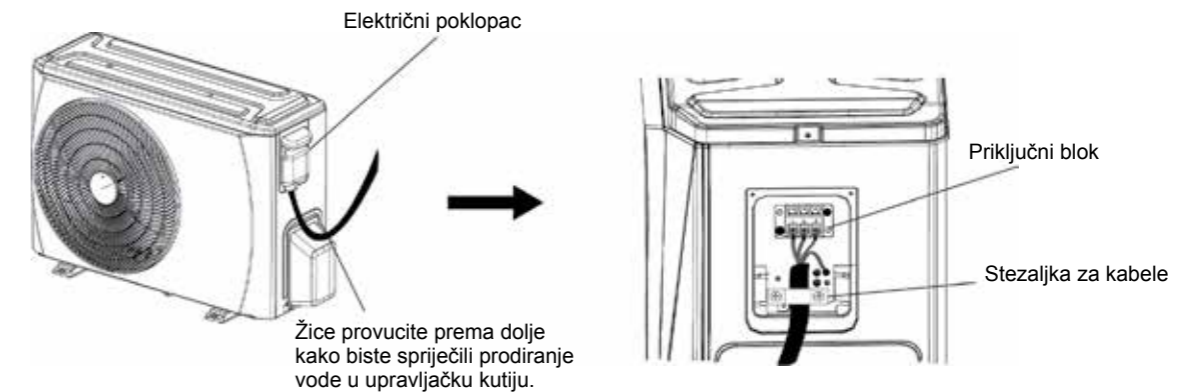


#### OPREZ

- U snježnim i hladnim područjima izbjegavajte ugradnju vanjske jedinice na mjestima na kojima bi je mogao pokriti snijeg. Ako se očekuje mnogo snijega, treba ugraditi stalak i/ili zaštitnu pregradu kako bi se jedinica zaštitila od gomilanja snijega i/ili blokade usisa zraka.

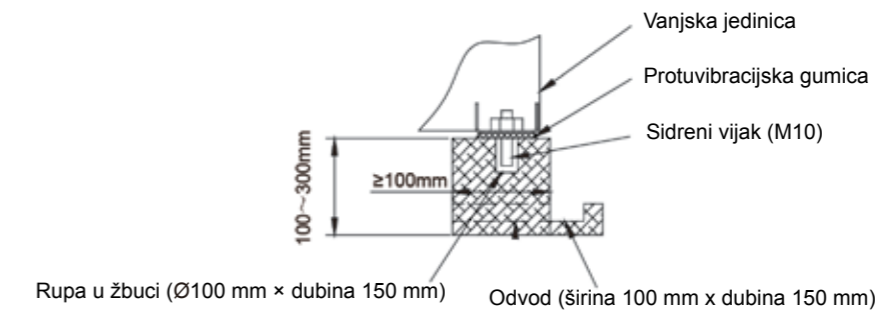
#### 3.3 SPAJANJE VANJSKE JEDINICE

- Uklonite električni poklopac i stezaljku kabela odvijanjem vijaka.
- Spojite žice na vanjski priključni blok istim redoslijedom kao kod unutarnje jedinice.



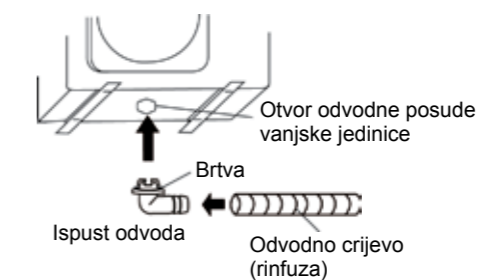
#### 3.4 UGRADNJA VANJSKE JEDINICE

- Prije ugradnje provjerite čvrstoću baze i uvjerite se da je vodoravna kako se ne bi stvarali neobičajeni zvukovi.
- Čvrsto pričvrstite bazu sidrenim vijcima (M10) kako se ne bi urušila.
- Postavite temelj i protuvibracijske gumice tako da izravno podupiru donju površinu noge za pričvršćivanje koja je u dodiru s donjom pločom vanjske jedinice.



#### 3.5 UGRADNJA ODVODNE CIJEVI ZA VANJSKU JEDINICU

- Spojite ispust odvoda s produžnim odvodnim crijevom
- Stavite brtvu na ispust odvoda.
- Umetnite ispust odvoda u otvor odvodne posude vanjske jedinice te ga okrenite 90 stupnjeva kako biste ga učvrstili.





**OPREZ**

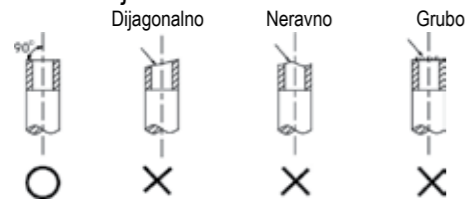
- Provjerite odgovaraju li visinska razlika unutarnje i vanjske jedinice te ukupna duljina cijevi rashladnog sredstva sistemskim zahtjevima.
- Provođenje cijevi rashladnog sredstva slijedi ugradnju unutarnje i vanjske jedinice; prvo spojite cijev na unutarnjoj strani, a potom na vanjskoj.
- Krajeve cijevi uvijek držite zapečaćenima kapičom ili trakom tijekom instalacije i NE skidajte ih dok ne pristupite spajanju cijevi.
- Obavezno izolirajte sve cijevi sve do konektora unutar jedinice. Izložene cijevi mogu uzrokovati kondenzaciju ili opekline ako ih dodirnete.
- Kada je vanjska jedinica u gornjem položaju, a razlika u visini veća od 10 m, preporučuje se postavljanje zavoja za povrat ulja u plinskoj cijevi svakih 5 ~ 8 m. Radijus zavoja za povrat ulja treba biti veći od 10 cm.

## 4.1. ŠIRENJE CIJEVI

**NAPOMENA**

- Alati potrebni za širenje jesu rezač cijevi, razvrtač, alat za širenje i držač cijevi.
- Za modele s rashladnim sredstvom R32 točke za spajanje cijevi moraju se nalaziti izvan prostorije.

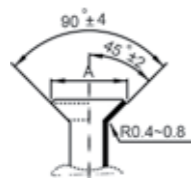
4.1.1 Rezanje cijevi na potrebnu duljinu rezačem cijevi Cijev obavezno režite pod kutom od 90° u odnosu na stranicu cijevi.



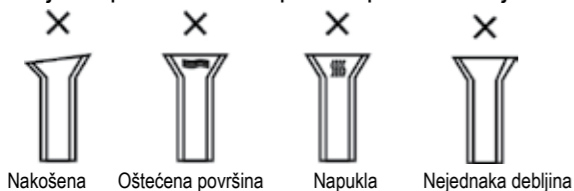
4.1.2 Razvrtačem uklonite šavove s reza držeći odrezanu površinu prema dolje kako krhotine ne bi ušle u cijev.

4.1.3 Proširite cijev s pomoću alata za širenje kako je prikazano u nastavku.

Vanjski promjer	A (mm)	
	Maks.	Min.
Ø6,35 mm	8,7	8,3
Ø9,52 mm	12,4	12,0
Ø12,7 mm	15,8	15,4
Ø15,88 mm	19,0	18,6
Ø19,05 mm	23,3	22,9



4.1.4 Provjerite je li proširenje ispravno izvedeno. Dolje su prikazane neispravno proširene cijevi.

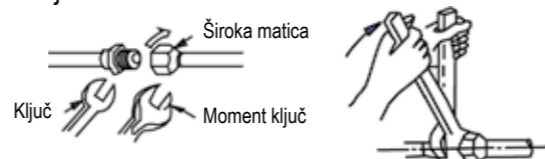


**OPREZ**

- Ako je potrebno lemljenje, radite u dušikovoj atmosferi.
- Neprikladan zakretni moment može oštetiti proširenje ili dovesti do curenja plina.

## 4.2 PROVOĐENJE CIJEVI

4.2.1 Poravnajte centar kako biste zategnuli široku maticu i dovršite povezivanje s pomoću dvaju ključeva.



Veličina cijevi	Zakretni moment
Ø6,35 mm	18 ~ 20 Nm
Ø9,52 mm	25 ~ 26 Nm
Ø12,7 mm	35 ~ 36 Nm
Ø15,88 mm	45 ~ 47 Nm
Ø19,05 mm	65 ~ 67 Nm

4.2.2 Odaberite odgovarajući izolacijski materijal za cijev rashladnog sredstva (min. 10 mm, termalna izolacijska pjena C).

- Upotrijebite odvojene termalne izolacijske cijevi za plin i tekućinu.
- Gore navedena debljina standardna je za unutarnju temperaturu od 27 °C i vlažnost od 80%. Ugrađujete li uređaj u nepovoljnim uvjetima kao što su blizina kupaonice, kuhinje i sličnih mjesta, pojačajte izolaciju.
- Izolacija mora biti toplinski otporna na temperature više od 120 °C.
- Na spojnim dijelovima izolacije koristite ljepilo kako biste spriječili prodor vlage.
- Popravite i prekrijte eventualne pukotine u izolaciji; posebno provjerite savinute dijelove te ovjes cijevi.

## 4.3 CIJEV RASHLADNOG SREDSTVA

Napomena: Rashladno sredstvo potrebno je uliti sa servisnog ulaza na ventilu za nizak tlak na vanjskoj jedinici.

	Minimalna duljina za smanjenje neuobičajenih vibracija i buke.	Prednapunjena duljina	Dodatno punjenje po metru	
			Strana tekućine: Ø6,35 mm	Strana tekućine: Ø9,52 mm
R32*	3m	5m	12g	24g

\* Upotrebljavajte alate za sustav R32.

**NAPOMENA**

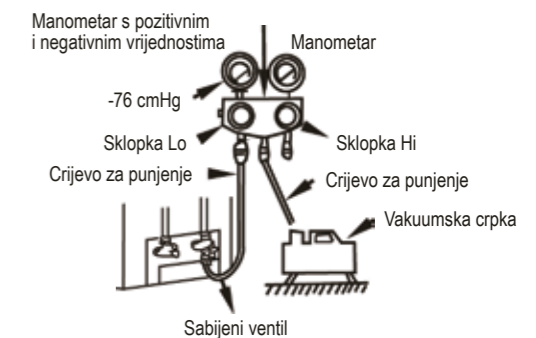
- Duljina produžne cijevi utjecat će na kapacitet i energetska učinkovitost jedinice.
- Nazivna učinkovitost ispitana je na duljini cijevi od 5 metara.
- Kad je cijev dulja od 5 m, treba dodati još rashladnog sredstva u skladu s duljinom cijevi.
- Preporučena maksimalna duljina cijevi navedena je u nastavku.

Modeli	R32 inverter	
	Maks. duljina cijevi (m)	Maks. visinska razlika (m)
9K/12K	25	10

\* Upotrebljavajte alate za sustav R32.

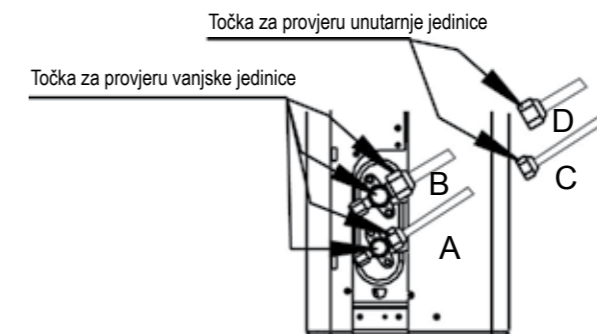
## 4.4. IZVLAČENJE ZRAKA

- Spojite crijevo za punjenje iz razdjelnog ventila u servisni priključak sabijenog ventila s plinske strane.
- Spojite crijevo za punjenje na priključak vakuumske crpke.
- Potpuno otvorite sklopku Lo razdjelnog ventila.
- Vakuuskom crpkom ispustite zrak iz sustava do tlaka 76 cmHg.
- Zatvorite sklopku Lo razdjelnog ventila.
- Potpuno otvorite trup sabijenih ventila.
- Uklonite crijevo za punjenje sa servisnog priključka.
- Čvrsto zategnite poklopce zabrtvljenog ventila.



## 4.5 ISPITIVANJE CURENJA

Nakon dovršetka provođenja cijevi provjerite spojeve svake rashladne cijevi i uvjerite se da nigdje ne curi plin nanošenjem sapunice ili s pomoću detektora curenja namijenjenog za rashladna sredstva HFC. Pogledajte sliku u nastavku radi detaljnijeg prikaza.



A: Niskotlačni zaporni ventil B: Visokotlačni zaporni ventil C i D: Široke matice unutarnje jedinice

## OPREZ

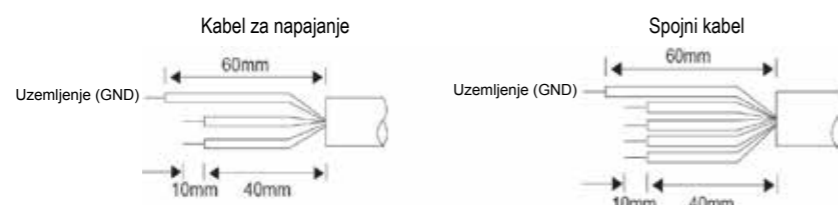
- Sve električne spojeve mora izvesti kvalificirani instalater i sve žice moraju biti spojene u skladu s dijagramom ožičenja.
- Izvedite uzemljenje prije svih drugih električnih spojeva.
- Svi izvori napajanja moraju biti isključeni prije početka elektroinstalacijskih radova; ne uključujte uređaj prije dovršetka sigurnosne provjere čitavog ožičenja.
- Potrebno je ugraditi glavnu sklopku i osigurač; kapacitet mora biti više od 1,5 puta veći od maksimalne struje u krugu.
- Mora biti dostupna zasebna grana kruga i zasebna utičnica koja se koristi samo za ovaj uređaj.
- Presjek žice ovisi o nazivnoj struji te državnim i lokalnim propisima o električnim instalacijama. Provjerite odgovarajuće posebne odredbe lokalnih građevinskih i elektroinstalacijskih propisa.
- Ako je kabel napajanja oštećen, treba ga zamijeniti proizvođač, ovlaštenu servisera ili drugu kvalificiranu osobu kako bi se izbjegla opasnost.
- Jedinica mora biti spojena na izvor napajanja preko prekidača ili sklopke s razmakom između kontakata od najmanje 3 mm na svim polovima. Preporučuje se ugradnja zaštitnog uređaja diferencijalne struje s operativnom diferencijalnom strujom koja ne prelazi 30 mA.
- Ovaj uređaj uključuje uzemljenje isključivo u funkcionalne svrhe.

### Nazivna struja pojedinih modela

Model	Nazivna struja (A)	Tip osigurača (A)	Kabel za napajanje (s minimalnim presjekom)	Spojni kabel (s minimalnim presjekom)
38QHP09E8S-1	13,0	20	3*1,5 mm <sup>2</sup>	5*1,5 mm <sup>2</sup>
38QHP12E8S-1	13,0	20	3*1,5 mm <sup>2</sup>	5*1,5 mm <sup>2</sup>

### NAPOMENA:

- Svi naponski kabeli moraju biti veličine propisane državnim i lokalnim propisima o elektroinstalacijama. Provjerite odgovarajuće posebne odredbe lokalnih građevinskih i elektroinstalacijskih propisa.
- Vanjski naponski i produžni kabel moraju biti tipa H07RN-F.
- Nazivna struja uređaja navedena je na nazivnoj pločici.
- Specifikacija cijevi vanjske jedinice jest T20A/250VAC (primjenjivo na jedinice koje upotrebljavaju samo rashladno sredstvo R32) Napomena: cijev je izrađena od keramike.



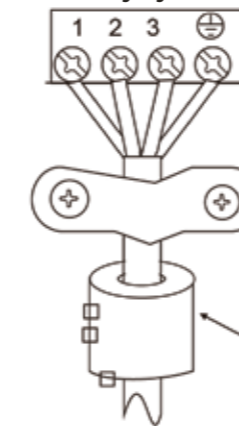
### Dijagram spajanja

Model	Unutarnja jedinica	Vanjska jedinica
QHP09 QHP12	 U vanjsku	 Ulazna snaga U unutarnju

### Instalacija magnetskog prstena

Napomena: priključni blok može se razlikovati ovisno o modelima.

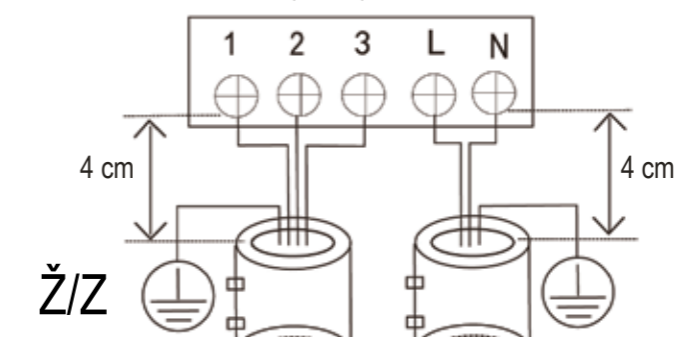
#### Unutarnja jedinica



#### Magnetni prsten

(ako se isporučuje i pakira s dodacima)  
Provedite pojas kroz otvor magnetnog prstena kako biste ga pričvrstili na kabel

#### Vanjska jedinica



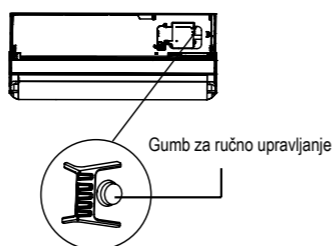
Magnetni prsten  
(ako se isporučuje i pakira s dodacima)

Provedite pojas kroz otvor magnetnog prstena kako biste ga pričvrstili na kabel

### 6.1 POPIS ZAVRŠNIH PROVJERA

Kako biste dovršili ugradnju, obavite sljedeće provjere prije pokusnog rada.

- Izdržljivost mjesta ugradnje i na unutarnjoj i na vanjskoj strani; uvjerite se da ništa ne blokira usis i ispuh zraka jedinice.
- Nepropusnost cijevi rashladnog sredstva; uvjerite se da nema curenja
- Električno ožičenje ispravno je dovršeno, a jedinica uzemljena
- Provjerite ukupnu duljinu cijevi i zabilježite količinu dodatnog rashladnog sredstva
- Napajanje mora odgovarati nazivnom naponu klimatizacijskog uređaja
- Izolacija cijevi
- Odvod



### 6.2 RUČNO UPRAVLJANJE

Ručnom upravljanju pristupa se pritiskom na gumb za ručno upravljanje.

Pritišćite gumb za ručno upravljanje kako biste promijenili način rada kako slijedi:

- Jednom = način rada AUTO [grijanje, hlađenje ili ventilator na 24 °C te automatski odabrana brzina ventilatora].
- Dvaput = način rada COOLING [prebacuje se na način rada AUTO nakon 30 minuta (koristi se uglavnom za potrebe testiranja)].
- Triput = isključeno (OFF).

### 6.3 POKUSNI RAD

Podesite klimatizacijski uređaj na način rada COOLING (hlađenje) daljinskim upravljačem (ili gumbom za ručno upravljanje) i uvjerite se da i unutarnja i vanjska jedinica rade. U slučaju bilo kakvih problema, riješite ih prema uputama u poglavlju „Otklanjanje poteškoća” u „Servisnom priručniku”.

#### Unutarnja jedinica

- Rade li ispravno tipke na daljinskom upravljaču (ON/OFF, MODE, TEMPERATURE, FAN SPEED itd.).
- Pomiče li se klapna normalno.
- Mijenja li se prikladno temperatura prostorije.
- Jesu li indikatori na zaslonu normalni.
- Radi li ispravno tipka za ručno upravljanje.
- Je li odvod normalan.
- Jesu li pri radu prisutne vibracije ili neuobičajeni zvukovi.
- Radi li unutarnja jedinica ispravno u načinima rada COOLING i HEATING.

#### Vanjska jedinica

- Jesu li pri radu prisutne vibracije ili neuobičajeni zvukovi.
- Uznemiravaju li vaše susjede protok zraka, buka ili kondenzirana voda koje proizvodi klimatizacijski uređaj.
- Curi li negdje rashladno sredstvo.

#### ⚠ OPREZ

- Pri ponovnom pokretanju uređaja doći će do odgode od približno 3 minute radi zaštite kompresora.

### 7.1 PODRUČJA ZA PROVJERU

Prije početka rada na sustavima koji sadrže zapaljiva rashladna sredstva potrebno je provesti sigurnosne provjere kako bi se što više umanjila opasnost od zapaljenja. Za popravak rashladnog sustava, prije izvođenja radova na sustavu potrebno je poduzeti sljedeće mjere opreza.

### 7.2 POSTUPAK RADA

Radovi se moraju izvoditi kontroliranim postupkom kako bi se minimalizirala opasnost od zapaljivog plina ili isparavanja koji nastaju tijekom rada.

### 7.3 OPĆE PODRUČJE RADA

Sve osoblje koje radi na održavanju ili u lokalnom području mora biti upoznato s vrstom radova koji se izvode. Izbjegavajte rad u zatvorenim prostorima. Područje oko područja rada treba odvojiti. Osigurajte da je provedena provjera svih zapaljivih materijala i da su ispunjeni svi uvjeti za siguran rad.

### 7.4 PROVJERA PRISUTNOSTI RASHLADNOG SREDSTVA

Područje treba provjeriti odgovarajućim detektorom rashladnog sredstva prije i tijekom rada kako bi se osiguralo da je tehničar svjestan potencijalno zapaljivog zraka. Osigurajte da je oprema za detekciju curenja koja se upotrebljava prikladna za upotrebu sa zapaljivim rashladnim sredstvima, npr. nema iskrenja, adekvatno brtvljenje ili intrinzična sigurnost.

### 7.5 POSTOJANJE APARATA ZA GAŠENJE POŽARA

Ako je potrebno izvoditi radove na opremi rashladnog sustava ili povezanim dijelovima, pri ruci mora biti odgovarajuća oprema za gašenje požara. Morate imati sustav za gašenje požara prahom ili ugljičnim dioksidom (CO<sub>2</sub>) u blizini područja punjenja.

### 7.6 BEZ IZVORA ZAPALJENJA

Nijedna osoba koja izvodi radove na rashladnom sustavu koji uključuju izlaganje cijevi koje sadrže ili koje su sadržavale zapaljivo rashladno sredstvo ne smije upotrebljavati izvore zapaljenja na način koji može prouzročiti opasnost od požara ili eksplozije. Svi mogući izvori zapaljenja, uključujući pušenje cigareta, moraju biti dovoljno udaljeni od mjesta ugradnje, popravka, uklanjanja i odlaganja uređaja, pri kojima može doći do otpuštanja zapaljivog rashladnog sredstva u okolno područje. Prije izvođenja radova potrebno je pregledati područje oko opreme kako bi se osiguralo da ne postoji opasnost od zapaljenja. Potrebno je postaviti znakove "ZABRANJENO PUŠENJE".

### 7.7 PROZRAČENO PODRUČJE

Osigurajte da je područje na otvorenom ili da je prikladno prozračeno prije ulaza u sustav ili provođenja radova. Određeni stupanj prozračivosti mora postojati i tijekom izvođenja radova. Prozračivanje treba na siguran način raspršivati sve otpušteno rashladno sredstvo i po mogućnosti izbaciti ga prema van u atmosferu.

### 7.8 PROVJERE OPREME RASHLADNOG SUSTAVA

U slučaju zamjene električnih komponenti potrebno je osigurati da su zamijenjene komponentama koje odgovaraju svrsi i odgovarajućim specifikacijama. Uvijek je potrebno pridržavati se uputa proizvođača za održavanje i servisiranje. Ako niste sigurni, zatražite pomoć tehničkog odjela proizvođača. Instalacije treba provjeriti izvođenjem sljedećih provjera pomoću zapaljivih rashladnih sredstava:

- veličina punjenja u skladu je s veličinom prostorije u kojoj su ugrađeni dijelovi koji sadrže rashladno sredstvo;
- ventilacijski uređaji i izlazi rade pravilno bez smetnji;
- ako se upotrebljava neizravni optok rashladnog sredstva, treba provjeriti ima li rashladnog sredstva u sekundarnim optocima; oznake na opremi moraju biti vidljive i čitke.
- nečiste oznake i znakovi moraju se ispraviti;
- cijevi ili komponente rashladnog sustava ugrađene su u položaju u kojem ne može doći do izlaganja tvarima koje mogu korodirati komponente koje sadrže rashladno sredstvo osim ako komponente nisu napravljene od materijala koji su otporni na koroziju ili su na odgovarajući način zaštićeni od korozije.

### 7.9 PROVJERA ELEKTRIČNIH UREĐAJA

Popravak i održavanje električnih komponenti trebaju uključivati početne sigurnosne provjere i postupke pregleda komponenti. Ako postoji kvar koji može utjecati na sigurnost, ni jedan dovod električne energije ne smije se priključiti na strujni krug dok se problem ne riješi. Ako se kvar ne može odmah ukloniti, ali je neophodno nastaviti rad, potrebno je primijeniti odgovarajuće privremeno rješenje. To je potrebno prijaviti vlasniku opreme kako bi sve strane bile upućene.

#### Početne sigurnosne provjere uključuju sljedeće:

- kondenzatori su ispražnjeni: to treba učiniti na siguran način kako bi se izbjegla mogućnost iskrenja
- aktivne električne komponente i kabeli nisu izloženi tijekom punjenja, uklanjanja sredstva ili pročišćavanja sustava;
- postoji kontinuirano uzemljenje.

### 7.10 POPRAVCI ZABRTVLJENIH KOMONENTI

- 10.1 Tijekom izvođenja popravaka na zabrtvljenim komponentama potrebno je isključiti sve električne uređaje iz opreme na kojoj se radi prije uklanjanja zabrtvljenih poklopaca i sl. Neophodno je uspostaviti dovod struje za opremu tijekom servisiranja te treba postaviti stalni oblik detekcije curenja na najvažnijoj točki koji će upozoravati na potencijalno opasne situacije.
- 10.2 Posebnu pažnju treba posvetiti sljedećem kako bi se osiguralo da tijekom izvođenja radova na električnim komponentama neće doći do izmjene kućišta koja može ugroziti stupanj zaštite. To uključuje oštećenje kabela, prekomjeran broj spojeva, terminale koji nisu izvedeni u skladu s izvornim specifikacijama, oštećenja brtvi, neispravno postavljene brtve i sl.
- Provjerite je li uređaj ispravno postavljen.
  - Provjerite da brtve ili materijal za brtvljenje nisu istrošeni u mjeri u kojoj više ne služe svrsi sprječavanja ulaza zapaljivog zraka. Zamjenski dijelovi moraju odgovarati specifikacijama proizvođača.

NAPOMENA: Upotreba silikonskog brtvila može utjecati na učinkovitost neke vrste opreme za detekciju curenja. Sigurne komponente ne moraju se izolirati prije izvođenja radova.

### 7.11 POPRAVAK SIGURNIH KOMONENTI

Nemojte primjenjivati stalna induktivna ili kapacitivna opterećenja na strujni krug prije nego što osigurate da neće premašiti dopušteni napon i struju za tu opremu. Sigurne komponente jedine su komponente na kojima se smije raditi u prisutnosti zapaljivog zraka. Testni uređaj mora imati odgovarajući napon. Zamijenite komponente samo dijelovima koje je odobrio proizvođač. Upotreba drugih dijelova može rezultirati zapaljenjem rashladnog sredstva u zraku iz točke curenja.



### 7.12 KABELI

Provjerite da kabeli nisu izloženi habanju, koroziji, prekomjernoj sili, vibraciji, oštrim rubovima ili drugim štetnim utjecajima. Provjera također treba uzeti u obzir i učinke starenja ili stalnih vibracija iz izvora kao što su kompresori ili ventilatori.

### 7.13 DETEKCIJA ZAPALJIVOG RASHLADNOG SREDSTVA

Ni u kojim se uvjetima potencijalni izvori zapaljenja ne smiju upotrebljavati prilikom traženja ili detekcije curenja rashladnog sredstva. Ne smije se upotrebljavati metal-halogeno lampa (ili neki drugi detektor s otvorenim plamenom).

### 7.14 METODE DETEKCIJE CURENJA

Sljedeće metode detekcije curenja smatraju se prihvatljivima za sustave sa zapaljivim rashladnim sredstvima. Elektronički detektori curenja trebaju se upotrebljavati za detekciju zapaljivih rashladnih sredstava, ali osjetljivost možda ne bude odgovarajuća ili će biti potrebna ponovna kalibracija. (Oprema za detekciju treba se kalibrirati u području bez rashladnog sredstva). Pazite da detektor nije potencijalni izvor zapaljenja i da odgovara rashladnom sredstvu. Oprema za detekciju curenja treba se postaviti na postotak LFL-a rashladnog sredstva i treba se kalibrirati prema upotrijebljenom rashladnom sredstvu. Također treba potvrditi odgovarajući postotak plina (najviše 25 %). Tekućine za detekciju curenja prikladne su za upotrebu s većinom rashladnih sredstava, ali treba izbjegavati upotrebu deterdženata koji sadrže smo klor jer klor može reagirati s rashladnim sredstvom i korodirati bakrene cijevi. Ako postoji sumnja na curenje, treba ukloniti ili ugasiti svaki otvoreni plamen. Ako se utvrdi curenje rashladnog sredstva za čije je rješavanje potrebno lemljenje, potrebno je ispustiti cjelokupno rashladno sredstvo iz sustava ili ga izolirati (pomoću zapornih ventila) u dijelu sustava koji je udaljen od curenja. Zatim kroz sustav treba pustiti dušik bez kisika (OFN) prije i tijekom postupka lemljenja.

### 7.15 UKLANJANJE I IZVLAČENJE

Kada se izvode radovi na optoku rashladnog sredstva ili u drugu svrhu, primjenjuju se uobičajeni postupci. Međutim, važno je pridržavati se najboljih praksi jer lako može doći do zapaljenja. Pridržavajte se sljedećeg postupka:

- uklonite rashladno sredstvo;
- pročistite optok inertnim plinom;
- ispraznite;
- pročistite ponovno inertnim plinom;
- otvorite optok rezanjem ili lemljenjem.

Količina rashladnog sredstva treba se vratiti u odgovarajuće cilindre. Sustav treba pročititi pomoću OFN-a kako bi jedinica bila sigurna. Postupak će možda biti potrebno ponoviti nekoliko puta.

Komprimirani zrak ili kisik ne smije se upotrebljavati za taj postupak.

Ispiranje treba provesti tako što ćete prekinuti vakuum sustava OFN-om i nastaviti ga puniti dok ne postignete radni tlak, a zatim ga ispustiti u atmosferu i smanjivati do vakuuma. Postupak treba ponavljati dok se iz sustava potpuno ne ukloni rashladno sredstvo.

Ako se upotrebljava konačna količina OFN-a, sustav treba ventilirati do atmosferskog tlaka kako bi se moglo započeti s radom. Taj je postupak ključan ako se izvodi lemljenje na cijevima. Provjerite da izlaz vakuumske crpke nije zatvoren za izvore paljenja i da postoji ventilacija.

### 7.16 POSTUPAK PUNJENJA

Uz uobičajene postupke punjenja, potrebno je ispuniti sljedeće zahtjeve:

- Osigurajte da ne dođe do kontaminacije različitih rashladnih sredstava prilikom upotrebe opreme za punjenje. Crijeva ili vodovi trebaju biti što kraći kako bi se minimalizirala količina rashladnog sredstva koje sadrže.
- Cilindri trebaju biti uspravni.
- Osigurajte da je rashladni sustav uzemljen prije punjenja rashladnim sredstvom.
- Označite sustav nakon dovršetka punjenja (ako nije već označen).
- Budite iznimno oprezni da prekomjerno ne napunite rashladni sustav.
- Prije ponovnog punjenja sustava provjerite tlak pomoću OFN-a. Nakon završetka punjenja, ali prije puštanja u rad, provjerite ima li curenja. Dodatni test curenja

### 7.17 STAVLJANJE IZVAN POGONA

Prije provođenja tog postupka ključno je da je tehničar potpuno upoznat s opremom i svim njezinim dijelovima. Preporučuje se sigurno vraćanje svih rashladnih sredstava. Prije izvođenja postupka treba uzeti uzorak ulja i rashladnog sredstva.

U slučaju da je potrebna analiza prije ponovne upotrebe rashladnog sredstva. Ključno je da električna energija bude dostupna prije izvođenja zadatka.

- a) Upoznajte se s opremom i načinom rada.
- b) Električno izolirajte sustav
- c) Prije izvođenja postupka osigurajte sljedeće:
  - dostupna je oprema za mehanički rad, po potrebi, za cilindre rashladnog sredstva;
  - dostupna je sva osobna zaštitna oprema i ispravno se upotrebljava;
  - postupak uklanjanja u svakom trenutku nadzire kompetentna osoba;
  - oprema i cilindri za oporavak u skladu su s odgovarajućim normama.
- d) Ako je moguće, ispraznite rashladni sustav.
- e) Ako vakuum nije moguć, napravite razvodnik kako bi se rashladno sredstvo moglo ukloniti iz različitih dijelova sustava.
- f) Provjerite na skalama da je cilindar na mjestu prije uklanjanja.
- g) Pokrenite uređaj za uklanjanje u skladu s uputama proizvođača.
- h) Nemojte prekomjerno napuniti cilindre. (Ne više od 80 % volumena punjenja tekućine).
- i) Nemojte prekoračivati maksimalni radni tlak cilindara, čak ni privremeno.
- j) Kada su cilindri ispravno napunjeni i postupak završen, odmah uklonite cilindre i opremu te zatvorite sve izolacijske cilindre na opremi.
- k) Uklonjeno rashladno sredstvo ne smije se puniti u drugi rashladni sustav osim ako nije očišćeno i provjereno.

### 7.18 OZNAČAVANJE

Opremu je potrebno označiti s napomenom da je stavljena izvan pogona i da je rashladno sredstvo uklonjeno. Oznaku treba vremenski označiti i potpisati. Osigurajte da se na opremi nalaze oznake koje ukazuju na to da oprema sadrži zapaljivo rashladno sredstvo.

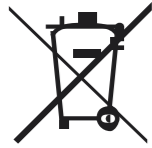
### 7.19 UKLANJANJE RASHLADNOG SREDSTVA

- Prilikom uklanjanja rashladnog sredstva iz sustava radi servisiranja ili stavljanja izvan pogona, preporučuje se potpuno sigurno uklanjanje rashladnog sredstva.
- Pri prijenosu rashladnog sredstva u cilindre osigurajte da se upotrebljavaju samo odgovarajući cilindri za uklanjanje. Osigurajte da je na raspolaganju točan broj cilindara za primanje ukupne količine iz sustava. Svi cilindri koji se upotrebljavaju namijenjeni su za uklanjanje rashladnog sredstva i označeni za to rashladno sredstvo (npr. posebni cilindri za uklanjanje rashladnog sredstva). Cilindri moraju imati ispravan ventil za ispuštanje tlaka i zaporne ventile.
- Prazni cilindri za uklanjanje moraju se odstraniti i po mogućnosti ohladiti prije uklanjanja.
- Oprema za uklanjanje mora biti ispravna i imati upute za upotrebu opreme te mora biti prikladna za uklanjanje zapaljivih rashladnih sredstava. Uz to, na raspolaganju mora biti ispravan komplet kalibriranih mjernih uređaja.
- Crijeva moraju imati ispravne spojke za odvajanje otporne na curenje. Prije upotrebe uređaja za uklanjanje provjerite je li ispravan, je li održavanje ispravno provedeno i jesu li sve povezane električne komponente zabrtvljene radi sprječavanja zapaljenja u slučaju otpuštanja rashladnog sredstva. U slučaju nedoumice obratite se proizvođaču.
- Uklonjeno rashladno sredstvo treba vratiti u dovod rashladnog sredstva u odgovarajućem cilindru i postaviti napomenu o prijenosu otpada. Nemojte miješati rashladna sredstva u jedinicama za uklanjanje i osobito ne u cilindrima.
- Ako treba ukloniti kompresore ili ulja kompresora, osigurajte da su na prihvatljivoj razini kako biste osigurali da se unutar podmazivača ne zadržava zapaljivo rashladno sredstvo. Postupak uklanjanja treba obaviti prije vraćanja kompresora u dovod. Za ubrzanje postupka smije se primijeniti samo električno grijanje tijela kompresora. Ulje iz sustava mora se pažljivo ispustiti.

### 7.20 TRANSPORT, OZNAČAVANJE I SKLADIŠTENJE JEDINICA

1. Transport opreme koja sadrži zapaljiva rashladna sredstva  
Usklađenost s transportnim propisima
2. Označavanje opreme  
Usklađenost s lokalnim propisima
3. Odlaganje opreme koja sadrži zapaljiva rashladna sredstva  
Usklađenost s nacionalnim propisima
4. Skladištenje opreme/uređaja  
Skladištenje opreme mora se izvesti u skladu s uputama proizvođača.
5. Skladištenje zapakirane (neprodane) opreme  
Zaštita ambalaže za skladištenje treba se izvesti tako da ne postoji mogućnost mehaničkog oštećenja opreme kako ne bi došlo do curenja rashladnog sredstva.  
Maksimalan broj dijelova opreme koji se mogu zajedno skladištiti utvrđen je lokalnim propisima.

A termékről megállapították, hogy megfelel az Európai Unió kisfeszültségű berendezésekre vonatkozó irányelvének (2014/35/EU) és az elektromágneses zavarvédelemre vonatkozó irányelvének (2014/30/EU).



## A termék hulladékként való kezelése (hulladék elektromos és elektronikus berendezés)

(A légkondicionáló európai országokban való használatakor a következő útmutatást kell követni)

- A terméken vagy az útmutatóban látható fenti jelölés arra emlékeztet, hogy a hulladék elektromos és elektronikus berendezést (a 2012/19/EK irányelv szerint) nem szabad az általános háztartási hulladékok közé helyezni. Ezt a készüléket tilos kommunális hulladékban elhelyezni. Az ártalmatlanításra különböző lehetőségek vannak:
- 1. Hatóságilag működtetett hulladékkezelő rendszer, ahol az elektronikus hulladékot a felhasználó ingyenesen kidobhatja.
- 2. Új termék vásárlásakor a kereskedő ingyenesen átveszi a régi terméket.
- 3. A gyártó ingyenesen visszaveszi ártalmatlanításra a régi készüléket a felhasználótól.
- 4. Mivel a régi termékek értékes nyersanyagokat tartalmaznak, ezért eladhatók hulladékfém-felvásárlóknak. A hulladék erdőkben és környezetben történő elhelyezése veszélyezteti az Ön egészségét is, mivel veszélyes anyagok szivároghatnak be a talajvízbe és bejuthatnak a táplálékláncba.

A termék a kiotói jegyzőkönyv hatálya alá tartozó fluortartalmú gázokat tartalmaz

A gáz kémiai neve	R32
A gáz globális felmelegedési potenciálja (GWP)	675

### FIGYELMEZTETÉS

- |   |   |
|---|---|
| <ol style="list-style-type: none"> <li>1. Ragassza fel a mellékelt hűtőközegcímke a töltési és/vagy visszanyerési hely közelében.</li> <li>2. Eltávolíthatatlan tintával egyértelműen írja fel a hűtőközeg-címke a hűtőközeg betöltött mennyiségét.</li> <li>3. Előzze meg a fluortartalmú gáz kiáramlását. Ügyeljen arra, hogy a fluortartalmú gáz ne kerülhessen a levegőbe a telepítés, a karbantartás és az ártalmatlanítás során. Ha a fluortartalmú gáz szivárgása észlelhető, a szivárgást azonnal meg kell szüntetni, és a javítást a lehető leggyorsabban végre kell hajtani.</li> </ol> | <ol style="list-style-type: none"> <li>4. A termék karbantartását kizárólag megfelelően képzett szakemberek végezhetik.</li> <li>5. A termékben lévő fluortartalmú gáz bármilyen kezelését, például a termék áthelyezésekor vagy a gáz újratöltésekor, az üvegházhatású fluortartalmú gázokra vonatkozó EK 517/2014 számú szabályzatnak és a vonatkozó helyi törvényeknek megfelelően kell végrehajtani.</li> <li>6. Ha a rendszeren szivárgásjelző van felszerelve, legalább 12 havonta ellenőrizni kell a szivárgást.</li> <li>7. A készüléken a szivárgás ellenőrzésekor feltétlenül javasolt a mért értékek rögzítése.</li> </ol> |
|---|---|

Beltéri egység	Kültéri egység	Névleges feszültség és Hz
42QHP09E8S-1	38QHP09E8S-1	220-240V~, 50Hz
42QHP12E8S-1	38QHP12E8S-1	

A gyártó fenntartja magának jogot a termék műszaki adatainak előzetes értesítés nélküli megváltoztatására.

## TARTALOM

<b>1. A FELSZERELÉS ELŐKÉSZÍTÉSE</b> .....	<b>3</b>
1.1. Biztonsági óvintézkedések .....	3
1.2. Tartozékok.....	5
1.3. Telepítési helyszín választása .....	6
<b>2. A BELTÉRI EGYSÉG FELSZERELÉSE</b> .....	<b>7</b>
2.1. A beltéri egység szerelőlemeze .....	7
2.2. Szerelési eljárás .....	8
<b>3. A KÜLTÉRI EGYSÉG FELSZERELÉSE</b> .....	<b>9</b>
3.1. A kültéri egység szerelési méretei .....	9
3.2. A kültéri egység helyigénye .....	9
3.3. Kültéri kábelcsatlakozás .....	10
3.4. A kültéri egység felszerelése .....	10
3.5. A kültéri egység vízelvezető csővezetékének felszerelése .....	10
<b>4. A HŰTŐKÖZEG CSŐVEZETÉKEZÉSI MUNKÁI</b> .....	<b>11</b>
4.1. Peremezés .....	11
4.2. Csővezetékezési munkák .....	11
4.3. Hűtőközegcső .....	12
4.4. Légtelenítés .....	12
4.5. Tömítettségvizsgálat.....	12
<b>5. KÁBELEZÉS</b> .....	<b>13</b>
<b>6. VÉGSŐ ELLENŐRZÉS ÉS PRÓBAÜZEM</b> .....	<b>14</b>
6.1. A végső ellenőrzés lépései .....	14
6.2. Kézi működtetés .....	14
6.3. Próbaüzem .....	14
<b>7. SZERVIZELÉSI TUDNIVALÓK</b> .....	<b>15</b>



Figyelmeztetés: Tűzvesélycsak az R32/R290 hűtőközegnél

## 1.1. BIZTONSÁGI ÓVINTÉZKEDÉSEK

- A légkondicionáló berendezés felszerelése, beüzemelése és karbantartása veszélyes lehet a rendszeren belüli nyomás, az elektromos alkatrészek és a berendezés elhelyezése (tető, emelt szerkezetek stb.) miatt.
- A berendezés felszerelését, beüzemelését és karbantartását kizárólag szakképzett, jogosult telepítési és karbantartási szakember végezheti.
- A berendezésen való munkánál tartsa be az útmutatóban, valamint a berendezésen elhelyezett címkéken és feliratokon jelzett óvintézkedéseket.
- Kövesse az összes biztonsági szabályt. Viseljen védőszemüveget és kesztyűt. Forrasztásnál tartson a közelben oltóruhát és tűzoltó készüléket. Nagy tömegű berendezés kezelésekor, felszerelésekor és beállításakor körültekintően járjon el.
- Olvassa el figyelmesen ezeket az utasításokat, és maradéktalanul tartsa be az útmutatóban és a berendezésen elhelyezett összes figyelmeztetést és óvintézkedést. A különleges követelményeknél vegye figyelembe az épületekre vonatkozó helyi szabályokat és az országos elektromos előírásokat.

### ! VIGYÁZAT

Ez a szimbólum személyi és akár életveszélyes sérülés lehetőségét jelzi.

- **A hűtőgáz nehezebb a levegőnél, és az oxigén helyére lép. A jelentős szivárgás oxigénhiányhoz vezethet, különösen az alagsorban, és ekkor fennáll a fulladás veszélye, ami súlyos sérülést vagy akár halált okozhat.**
- **Ha a légkondicionálót kisméretű helyiségben szerelik fel, megfelelő intézkedésekkel biztosítani kell, hogy a hűtőközeg szivárgásánál a koncentráció ne haladja meg a kritikus szintet.**
- **Ha a telepítés során a hűtőközeg szivárogni kezd, akkor azonnal szellőztesse ki a helyiséget.**  
A hűtőközezből mérgező gáz keletkezhet, ha meleggel érintkezik, amely fűtőberendezésből, kályhából vagy tűzhelyből származhat. Az ilyen gáz belélegzése súlyos sérülést vagy akár halált okozhat.
- **Elektromos karbantartási munka végrehajtása előtt mindig válassza le a tápellátást. Az összekötő kábelt csatlakoztassa megfelelően.**  
A helytelen csatlakoztatás az elektromos alkatrészek károsodásához vezethet.
- **Az elektromos bekötésekhez az előírt kábeleket használja, és rögzítse ezeket szorosan a csatlakozóegységhez úgy, hogy ne hasson külső erő az egységre.**
- **Ügyeljen a megfelelő földelés biztosítására.**  
Ne földelje a készülékeket gáz- vagy vízvezetékhez, illetve villámhárítóhoz vagy telefon földvezetékéhez. Az elégtelen földelés áramütést okozhat, ami súlyos sérüléshez vagy akár halálhoz vezethet.
- **Ügyeljen a csomagolóanyagok biztonságos kezelésére.**  
A csomagolóanyagok, például szegek és más fém vagy fa alkatrészek szúrt sebet vagy egyéb sérülést okozhatnak. Tépje szét és dobja ki a műanyag csomagolózsákokat, hogy a gyerekek ne játszassanak ezekkel. A műanyag zsákokkal játszó gyerekeknél fennáll a fulladás veszélye.
- **Tilos a készüléket gyúlékony gázok környezetében üzembe helyezni.**
- **Ügyeljen a mellékelt és a pontosan megadott szerelési alkatrészek használatára.**  
Egyéb alkatrészek használata az egység kiesését, vízszivárgást, áramütést, tüzet vagy a berendezés károsodását okozhatja.
- **A rendszer telepítésekor vagy áthelyezésekor ügyeljen arra, hogy a megadott hűtőközeget (R410A) kívül levegő és semmilyen más anyag ne jusson be a hűtőkörbe.**
- **Tilos az egységet átalakítani úgy, hogy biztonsági eszközöket távolítsanak el belőle, vagy biztonsági alrendszereket hatástalanítsanak.**
- **Az elektromos szerelést a szerelési útmutató, valamint az országos és helyi elektromos kábelezési szabályok szerint kell végrehajtani.**

### ! VIGYÁZAT

- **Ügyeljen a külön tápellátási áramkör használatára. Ugyanazt a tápaljzatot ne ossza meg más berendezésekkel.**
- **A hőkioldás váratlan alaphelyzetbe állása veszélyének elkerülése érdekében a berendezést nem szabad külső kapcsolóeszközön, például időzítőn keresztül működtetni, illetve olyan áramkörhöz csatlakoztatni, amelyet rendszeres időközönként be- és kikapcsolnak.**
- **Az elektromos bekötéshez az előírt kábeleket használja, amelyek a megfelelő hőmérséklet-tartományba eső szigeteléssel rendelkeznek.**  
A nem megfelelő kábelek szivárgást, rendellenes hőtermelődést vagy tüzet okozhatnak.
- **A gyártó által előírt módszereken kívül ne használjon semmilyen módszert a jégmentesítés felgyorsításához vagy a tisztításhoz.**
- **A készüléket olyan helyiségben kell tárolni, ahol nincsenek folyamatosan működő gyújtóforrások (például nyílt láng, működő gázkészülék vagy működő elektromos fűtőberendezés).**
- **Ne lyukassza ki vagy tegye ki nyílt lángnak a készüléket.**
- **Ügyeljen arra, hogy bizonyos hűtőközegeknek nincsen szaga.**
- **A készüléket olyan megfelelő szellőzésű helyen kell tárolni, ahol a helyiség mérete megfelel a működéshez megadott helyiségmérettel kapcsolatos követelményeknek.**
- **Az R32 hűtőközegetes modellek esetén:**  
A készülék kizárólag olyan helyiségben szerelhető fel, működtethető és tárolható, amelynek alapterülete nagyobb, mint 4 m<sup>2</sup>.  
A készüléket nem szabad felszerelni olyan nem szellőztetett helyiségbe, amelynek alapterülete kisebb, mint 4 m<sup>2</sup>.
- **Az R290 hűtőközegetes modellek esetén a minimális helyiségméret:**  
≤9000 Btu/h egységek esetén: 13 m<sup>2</sup>  
>9000 Btu/h és ≤12000 Btu/h egységek esetén: 17 m<sup>2</sup>  
>12000 Btu/h és ≤18000 Btu/h egységek esetén: 26 m<sup>2</sup>  
>18000 Btu/h és ≤24000 Btu/h egységek esetén: 35 m<sup>2</sup>

### ! FIGYELMEZTETÉS

Ez a szimbólum anyagi kár és súlyos következmények lehetőségét jelzi.

- **A személyi sérülések elkerülése érdekében óvatosan bánjon az éles szélű alkatrészekkel.**
- **Ne telepítse a beltéri és a kültéri egységet különleges környezeti feltételekkel rendelkező helyre.**
- **Ne szerelje olyan helyre, ahol az egység működési zaja felerősödik, illetve a kibocsátott zaj vagy levegő a szomszédokat zavarhatja.**
- **A vízelvezetési és csővezetékezési munkát a szerelési útmutatónak megfelelően kell végrehajtani.**  
A helytelen vízelvezetés vízszivárgást és anyagi kárt okozhat.
- **Ne szerelje fel a légkondicionáló berendezést a következő helyekre:**
  - Olyan helyre, ahol ásványolaj vagy arzénsav található.
  - Olyan helyre, ahol korrozív gáz (például kénsavgáz) vagy gyúlékony gáz (például hígító) halmozódhat fel, vagy ahol gyúlékony anyagokat kezelnek.
  - Olyan helyre, ahol a berendezések elektromágneses mezőket vagy nagyfrekvenciás felharmonikusokat állítanak elő.
- **A készüléket úgy kell tárolni, hogy ne fordulhasson elő mechanikus sérülés.**
- **Minden olyan személynek, aki a hűtőközeg körével dolgozik vagy megnyitja azt, érvényes tanúsítvánnyal kell rendelkeznie egy olyan, a szakterületen akkreditált felmérési hatóságtól, amely igazolja azt, hogy a személy megfelelő képesítéssel rendelkezik a hűtőközegeknek a szakterületen elismert felmérési specifikáció szerinti, biztonságos kezeléséhez.**

## 1.2. TARTOZÉKOK

A készüléket a következő tartozékokkal szállítják. A műszaki adatoktól függően a típus és a mennyiség eltérő lehet.

Tartozék neve	Mennyiség	Kialakítás	Tartozék neve	Mennyiség	Kialakítás
Útmutató	3		Távírányító	1	
Leeresztő kimenet	1		Elem	2	
Tömítés	1		Távírányító tartója	1	
Tartólemez	1		B) csavar	2	
Tipli	5		Kisméretű szűrő	1	
A) csavar	5		Mágneses gyűrű (néhány típusnál)	N*	

\* tényleges darabszámtól függően

## 1.3. TELEPÍTÉSI HELYSZÍN VÁLASZTÁSA

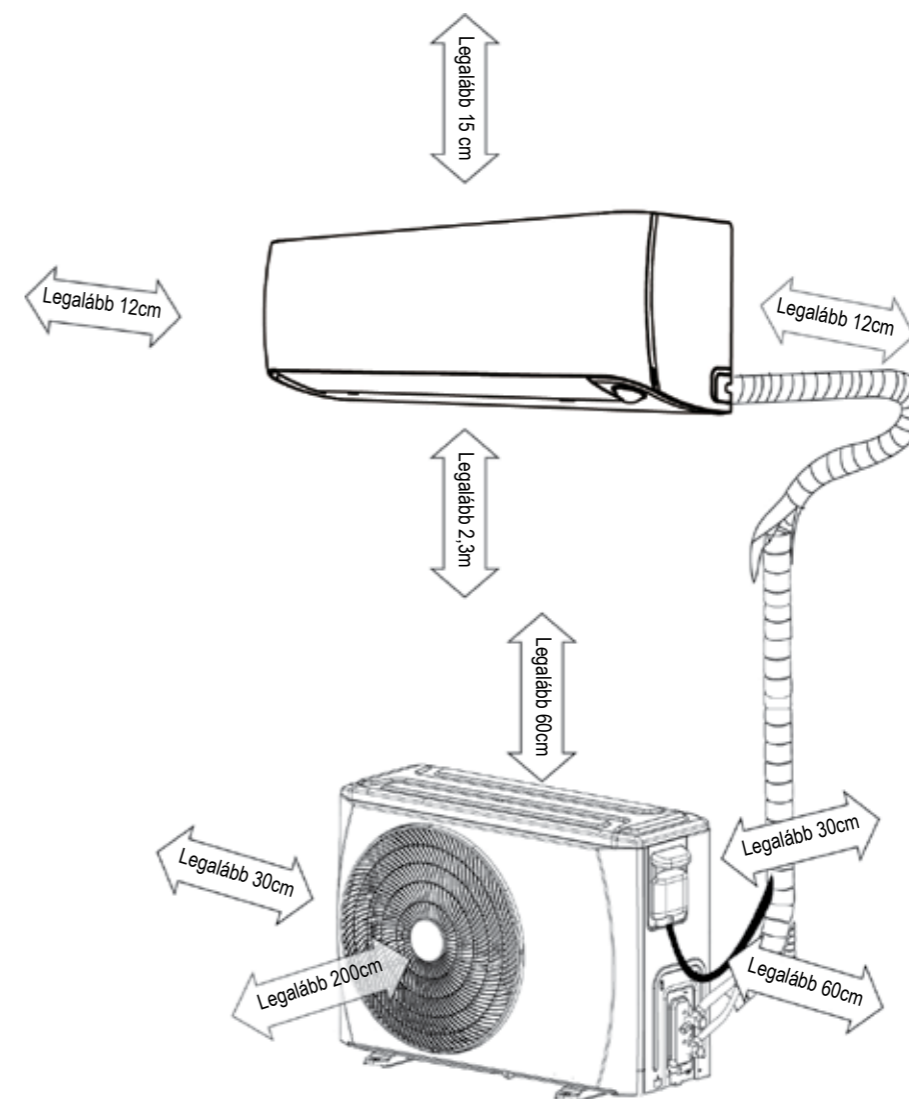
### Beltéri egység

- Olyan helyek, amelyek képesek megtartani a beltéri egység súlyát.
- Ne telepítse a beltéri egységet közvetlen hőforrás közelébe, például közvetlen napfénynek kitett helyre vagy fűtőberendezés mellé.
- Olyan helyek, ahol az alábbi ábra szerinti elegendő térközök állnak rendelkezésre.
- A készülék mozgó alkatrészeit a padlószint felett legalább 2,3 m magasan kell elhelyezni.

### Kültéri egység

- Olyan helyek, amelyek alkalmasak a felszerelésre, és nincsenek kitéve erős szélnek. Erős szélnek kitétt helyen szélterelő használata javasolt.
- Olyan helyek, amelyek képesek megtartani a kültéri egység súlyát, és ahol a kültéri egység vízszintes helyzetben felszerelhető.
- Olyan helyek, ahol az alábbi ábra szerinti elegendő térközök állnak rendelkezésre.

Ne telepítse a beltéri és a kültéri egységet különleges környezeti feltételekkel rendelkező helyre. Ellenőrizze, hogy elegendő hely áll-e rendelkezésre a szereléshez és a karbantartáshoz.



Megjegyzés: Tartsa be a nyilakkal jelölt távolságokat a faltól, mennyezettől, térelválasztótól és más akadályoktól.

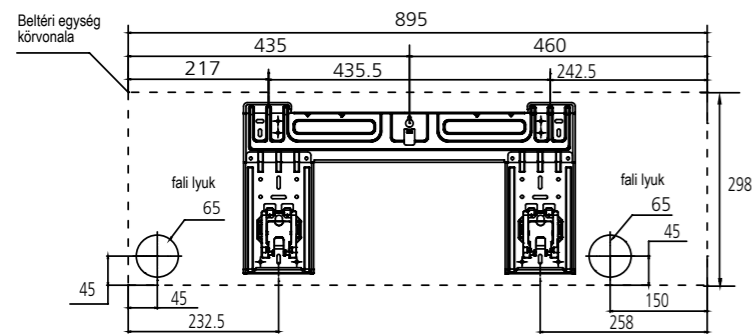
A csővezetékezés lehetséges irányai: hátra, balra, balra hátra vagy jobbra.

A nem használt leeresztőfuratot zárja le a mellékelt gumidugóval.

Vágja ki a leválasztópanelt a csővezeték méretének megfelelően. leválasztópanel



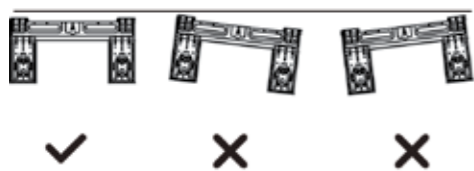
## 2.1. A BELTÉRI EGYSÉG SZERELŐLEMEZE



Megjegyzés: Ha a gázcső felőli oldalon a csatlakozócső Ø16 mm (5/8 hüvelyk) vagy annál nagyobb, a csőfurnatnak 90 mm-es (3,54 hüvelykes) méretűnek kell lennie.

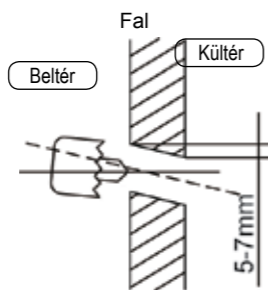
### ■ A szerelőlemez telepítése

Helyezze el a szerelőlemez vízszintesen, szintezze a falon, és rögzítse öt vagy több A) típusú csavarral.



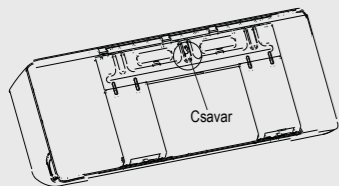
### ■ Furat készítése a falba

Készítsen némileg kifelé lejtő 65 vagy 90 mm-es furatot (a modelltől függően) a falon.



### Megjegyzés:

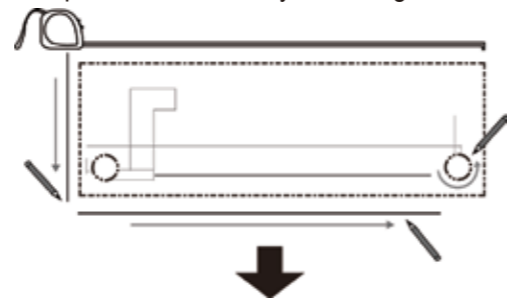
■ A tartólemez a szállításkor egy csavarral van rögzítve, a felszerelés előtt vegye ki ezt a csavart (lásd az ábrán).



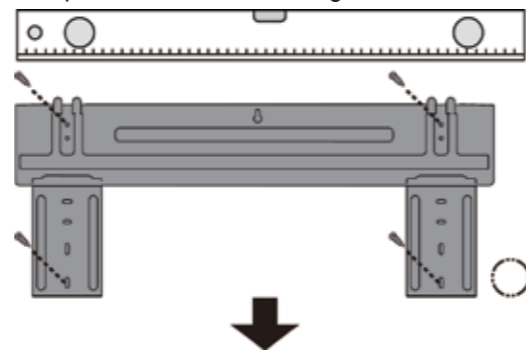
■ A szerelőlemez a készülék méretétől függően a következők valamelyikéhez hasonló. A rögzítőpilik furatainak ármérője 5 mm.

## 2.2. SZERELÉSI ELJÁRÁS

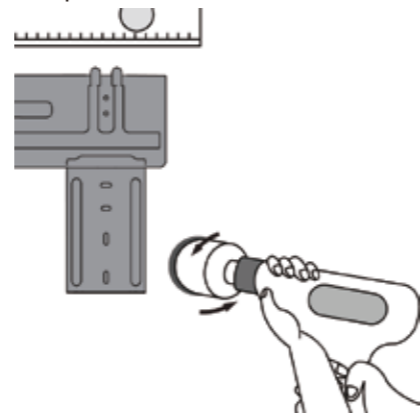
1. lépés: A fali furat helyének meghatározása



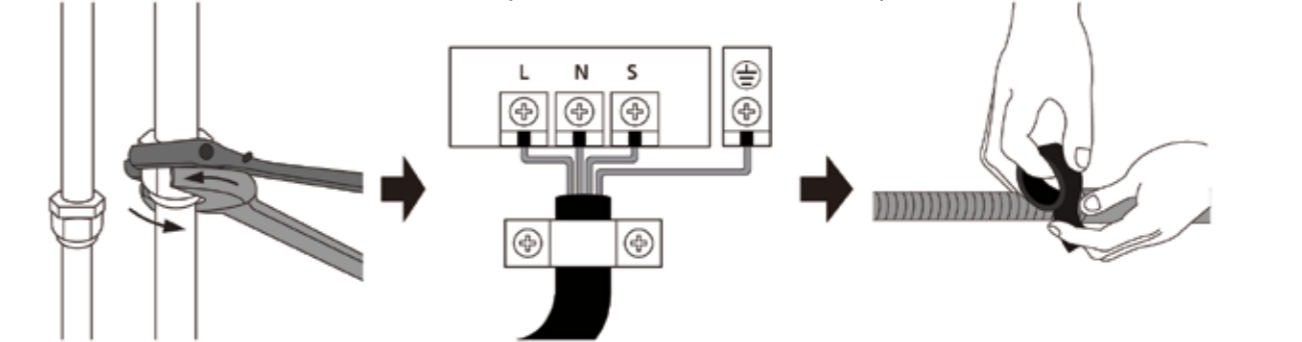
2. lépés: A szerelőlemez rögzítése



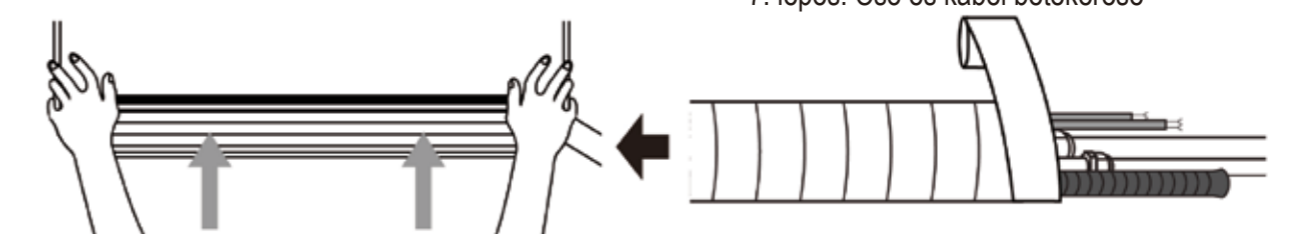
3. lépés: Fali furat készítése



4. lépés: Csőcsatlakoztatás 5. lépés: Kábelbekötés 6. lépés: Leeresztőtömlő előkészítése

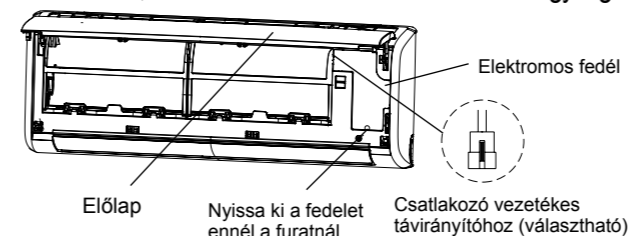


8. lépés: A beltéri egység felakasztása



### ■ Beltéri kábelcsatlakozás

1. Nyissa fel a beltéri egység előlapját.
2. Nyissa fel a beltéri egység elektromos fedelét a lyukba illesztett csavarhúzóval, távolítsa el kézzel a csatlakozóegység fedelét, majd a csavarok meglazításával távolítsa el a kábelrögzítőt.
3. Vezesse át a csatlakozókábeleket a beltéri egység hátoldaláról, és csatlakoztassa a beltéri csatlakozóegységhez.

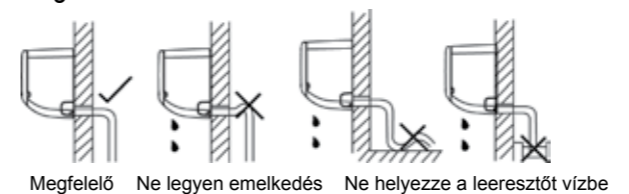


Előlap Nyissa ki a fedelet ennél a furatnál Csatlakozó vezetékes távirányítóhoz (választható)



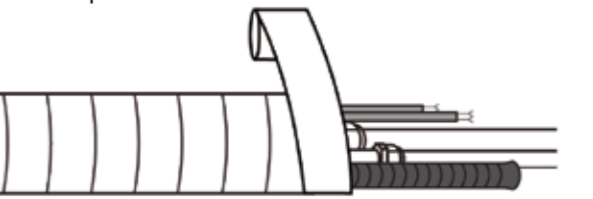
### ■ Elvezetés

A leeresztő vezetéknek teljes hosszában folytonosnak kell lennie, lefelé kell lejtene, és a külső falig szigetelve kell lennie.



Megfelelő Ne legyen emelkedés Ne helyezze a leeresztőt vízbe

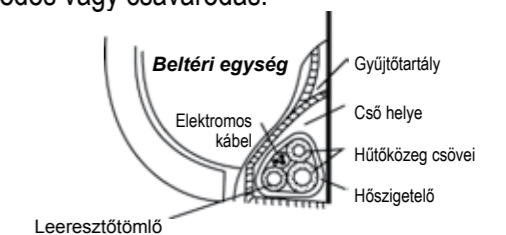
7. lépés: Cső és kábel betekerése



### ■ Vezetékek elrendezése

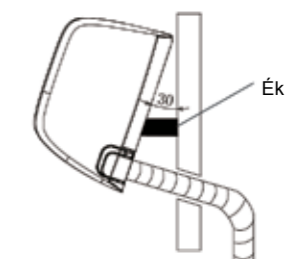
A hűtőközegcső, az elektromos kábel és a leeresztő vezeték megfelelő elrendezése az alábbi ábrán látható:

- Helyezze a leeresztőtömlőt a hűtőanyagcső alá.
- Ügyeljen arra, hogy a leeresztőtömlőben ne legyen emelkedés vagy csavarodás.



### ■ A beltéri egység felakasztása

1. Vezesse át a hűtőközeg vezetékeit a falon lévő furaton keresztül.
2. Akassza fel a beltéri egységet a szerelőlemez felső kampójára, majd tolja a beltéri egység alsó részét a falig az alsó kampóra.
3. A biztonságos elhelyezés ellenőrzéséhez mozgassa a beltéri egységet oldalirányban, valamint fel és le.



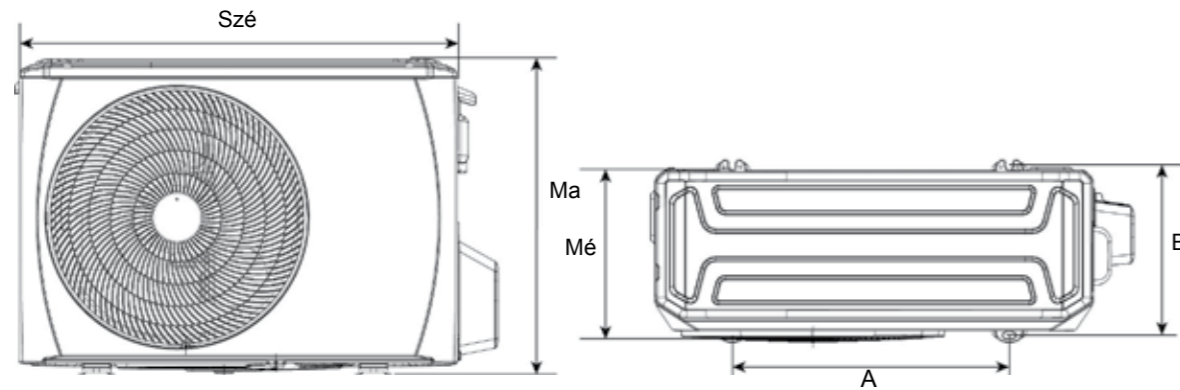
### ⚠ FIGYELMEZTETÉS

■ A csatlakozócső csatlakozójának részeit a helyiségen kívül kell elhelyezni.

## 3. A KÜLTÉRI EGYSÉG FELSZERELÉSE

### 3.1. A KÜLTÉRI EGYSÉG SZERELÉSI MÉRETEI

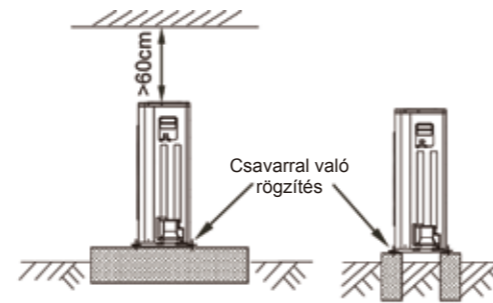
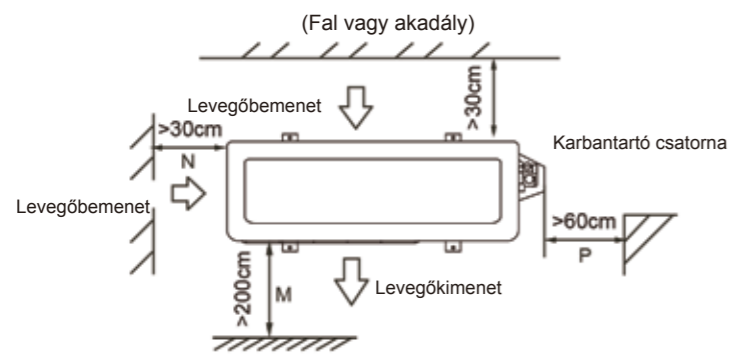
A szerelési méretek eltérőek az egyes kültéri egységeknél.  
A rögzítőcsavar fejátmérőjének 12 mm-nél nagyobbak kell lennie.



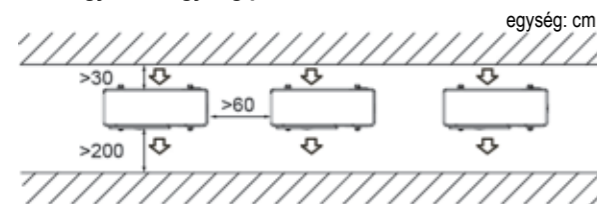
Kültéri egység méretei (mm)				Szerelési méretek (mm)	
Kültéri egység	Szé	Ma	Mé	A	B
38QHP09E8S-1 38QHP12E8S-1	805	554	330	511	317

### 3.2. A KÜLTÉRI EGYSÉG HELYIGÉNYE

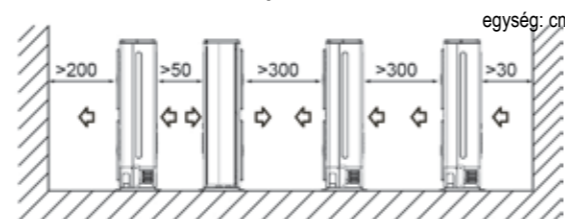
#### Egy egység felszerelése



#### Két vagy több egység párhuzamos csatlakoztatása



#### Elülső és hátsó oldalak párhuzamos csatlakoztatása



#### FIGYELMEZTETÉS

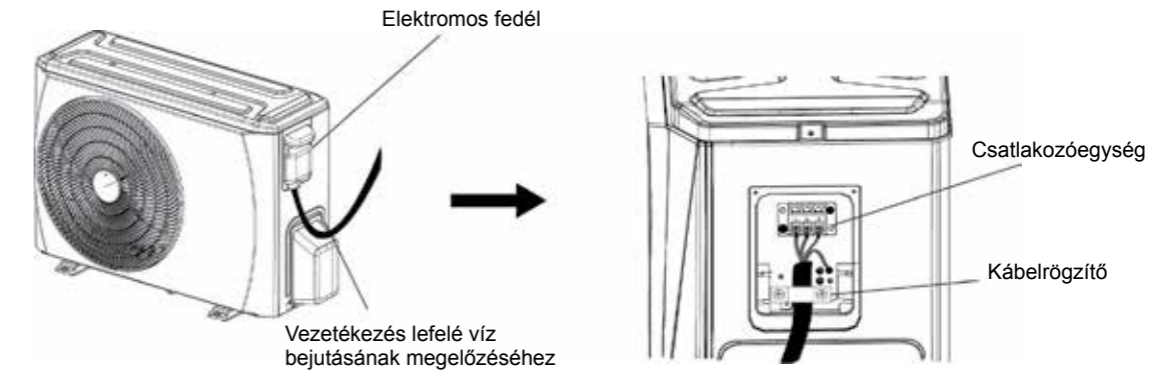
- Havazásnak és nagy hidegnek kitett területeken kerülje a kültéri egység olyan helyre szerelését, ahol hó fedheti be. Ha erős havazás várható, helyi jég- vagy hóállványt, illetve helyi szélterelőt kell felszerelni a hólerakódás és/vagy a légbemenet eltömődésének megakadályozása érdekében.

## 3. A KÜLTÉRI EGYSÉG FELSZERELÉSE



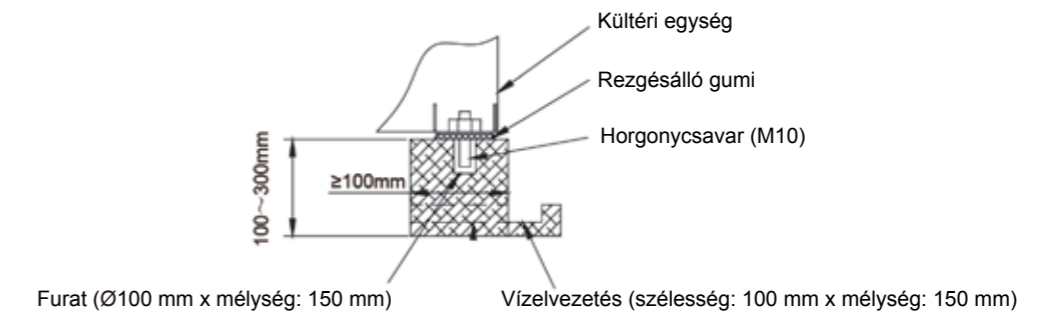
### 3.3. KÜLTÉRI KÁBELCSATLAKOZÁS

- A csavarok meglazításával vegye le a kültéri egység elektromos fedelét és a kábelrögzítőt.
- Csatlakoztassa a kábeleket a kültéri csatlakozóegységhez a beltéri egységhez hasonlóan.



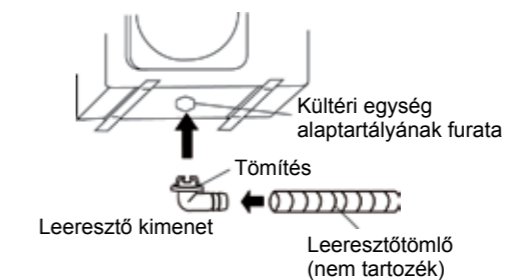
### 3.4. A KÜLTÉRI EGYSÉG FELSZERELÉSE

- A felszerelés előtt ellenőrizze a talpzat erősségét és vízszintességét a rendellenes hang keletkezésének elkerülése érdekében.
- Horgonycsavarokkal (M10) rögzítse szorosan a talpzatot, hogy elkerülhető legyen az összedőlés.
- Szerelje fel az alapzatot és a rezgésálló gumikat úgy, hogy azok közvetlenül megtámasszák a rögzítő láb alsó felületét, amely érintkezik a kültéri egység alsó lemezével.



### 3.5. A KÜLTÉRI EGYSÉG VÍZELVEZETŐ CSŐVEZETÉKÉNEK FELSZERELÉSE

- Csatlakoztasson a leeresztő kimenethez egy hosszabbító leeresztőtömlőt.
- Helyezze fel a tömitést a leeresztő kimenetre.
- Helyezze a leeresztő kimenetet a kültéri egység alaptartályának furatába, és forgassa el 90 fokkal a biztonságos illesztéshez.



### FIGYELMEZTETÉS

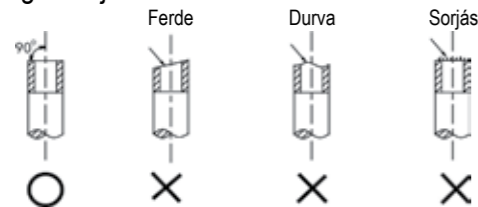
- Ellenőrizze, hogy a beltéri és a kültéri egység közötti magasságkülönbség, illetve a hűtőközegcső teljes hosszúsága megfelel-e az előírásoknak.
- A beltéri és a kültéri egység felszerelését követően a hűtőközeg csővezetékének munkáinál a csövet először a beltéri oldalon, majd ezután a kültéri oldalon csatlakoztassa.
- A csővégeket mindig zárja le sapkával vagy borítással, és ezt a csatlakoztatás végrehajtásáig ne távolítsa el.
- Ügyeljen arra, hogy minden kültéri csővezeték egészen az egységen belüli csatlakozásig szigetelve legyen. Bármely szabad csővezeték lecsapódást, illetve érintésnél égést okozhat.
- Ha a kültéri egység feljebb van, a szintkülönbség pedig meghaladja a 10 métert, javasolt U alakú olajgyűjtő görbületek kialakítása 5–8 méterenként a gázcsőben. Az U alakú olajgyűjtő görbületek sugara legalább 10 cm legyen.

## 4.1. PEREMEZÉS

### MEGJEGYZÉS

- Szükséges szerszámok: csővágó, dörzsár, peremezőszerszám és csőtartó.
- Az R32-es hűtőközeggel működő modellekhez, a cső csatlakozó pontjait a helyiségen kívül kell elhelyezni.

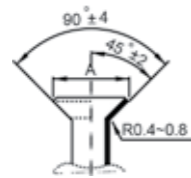
4.1.1. A kívánt méretre való vágáshoz használjon csővágót. Ügyeljen arra, hogy a vágási él 90°-os szöveget zárjon be a cső oldalával.



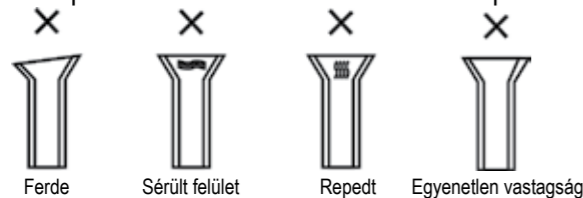
4.1.2. A dörzsárral távolítsa el sorját a vágási felület lefelé tartva, hogy ne kerülhessen hulladék a csőbe.

4.1.3. Hajtsa végre a peremezést a megfelelő peremezőszerszámokkal az alábbiak szerint.

Külső átmérő	A (mm)	
	Max.	Min.
Ø6,35 mm	8,7	8,3
Ø9,52 mm	12,4	12,0
Ø12,7 mm	15,8	15,4
Ø15,88 mm	19,0	18,6
Ø19,05 mm	23,3	22,9



4.1.4. Ellenőrizze a peremezés megfelelőségét. A helytelenül peremezett csövekre alább láthatók példák.

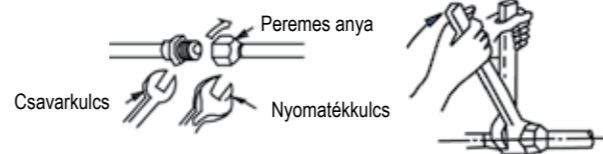


### FIGYELMEZTETÉS

- Ha forrasztásra van szükség, nitrogénes gázfúvatást használjon.
- A helytelen nyomaték peremsérülést vagy gázszivárgást okozhat.

## 4.2. CSŐVEZETÉKEZÉSI MUNKÁK

4.2.1. Igazítsa be a középvonalat a peremes anya meghúzásához, és a két kulccsal rögzítse a csatlakozást.



Csőméret	Nyomaték
Ø6,35 mm	18 ~ 20 N.m
Ø9,52 mm	25 ~ 26 N.m
Ø12,7 mm	35 ~ 36 N.m
Ø15,88 mm	45 ~ 47 N.m
Ø19,05 mm	65 ~ 67 N.m

4.2.2 A hűtőcsőhöz megfelelő szigetelőanyagot válasszon (min. 10 mm, C jelű hőszigetelő hab).

- Használjon különálló hőszigetelő csövet a gáz- és a folyadékcsőhöz.
- A fenti vastagság szokásos beltéri hőmérsékletre (27 °C) és 80%-os páratartalomra vonatkozik. Előnytelen körülmények közötti telepítésnél, például fürdőszoba, konyha és más hasonló helyek közelében meg kell erősíteni a szigetelést.
- A szigetelés hőállósági hőmérsékletének minimális értéke 120 °C.
- A szigetelés csatlakozási részén használjon ragasztót, hogy megelőzhető legyen a nedvesség bejutása.
- Javítsa ki és borítsa be a szigetelés minden lehetséges repedését, különös tekintettel a hajlatokra és a felfüggesztésekre.

## 4.3. HŰTŐKÖZEGCSŐ

Megjegyzés: A hűtőközeget a szervizporton keresztül kell feltölteni a kültéri egység kisnyomású szelepén.

	Minimális hossz a rendellenes rezgés és zaj csökkentése érdekében	Töltés nélküli hossz	Kiegészítő töltés méterenként	
			Folyadék oldal: Ø6,35 mm	Folyadék oldal: Ø9,52 mm
R32*	3 m	5 m	12 g	24 g

\* Az R32 rendszer esetén használjon szerszámokat.

### MEGJEGYZÉS

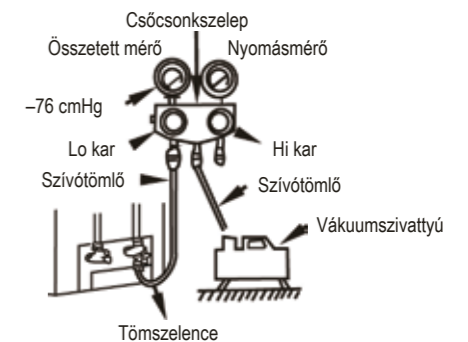
- A csőhossz hatással van az egység kapacitására és energiahatékonyságára.
- A névleges hatékonyságot 5 méteres csőhosszúságnál tesztelték.
- Ha a csőhossz 5 méternél nagyobb, kiegészítő hűtőközeget kell hozzáadni a csőhossznak megfelelően.
- A javasolt maximális csőhossz alább látható.

Típus	R32 inverter	
	Max. csőhossz (m)	Max. magasságkülönbség (m)
9K/12K	25	10

\* Az R32 rendszer esetén használjon szerszámokat.

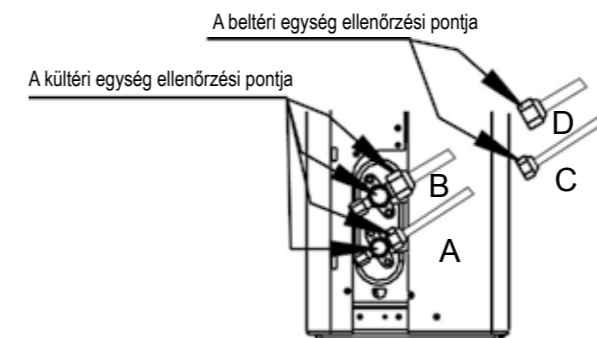
## 4.4. LÉGTELENÍTÉS

- Csatlakoztassa a szivatómlőt a csőelágazó mérő és a gáz oldali tömszelencés szelep szervizcsatlakozója közé.
- Csatlakoztassa a szivatómlőt a vákuumszivattyú csatlakozójához.
- Nyissa ki teljesen az elosztó mérő Lo karját.
- Működtesse a vákuumszivattyút a rendszer légtelenítéséhez a 76 cmHg értékig.
- Zárja vissza az elosztó mérő Lo karját.
- Nyissa ki teljesen a tömszelence szelepszárát.
- Vegye le a szivatómlőt a szervizcsatlakozóról.
- Húzza meg szorosan a tömszelence sapkáját.



## 4.5. TÖMÍTETTSÉGVIZSGÁLAT

A csővezeték munkája befejezése után ellenőrizni kell az egyes hűtőközegcsövek csatlakozási részeit, és HFC típusú hűtőközegnél érvényes szivárgásjelző vagy szappanos víz használatával meg kell győződni arról, hogy nincs gázszivárgás. Lásd az alábbi ábrát.



A: Kisnyomású zárószelep  
B: Nagynyomású zárószelep  
C és D: Beltéri egység peremes anyái

## FIGYELMEZTETÉS

- Minden elektromos csatlakoztatást jogosult telepítési szakembernek kell végrehajtania, és minden kábelezést a bekötési rajznak megfelelően kell végrehajtani.
- Minden más elektromos bekötés előtt először a földelést kell létrehozni.
- A bekötési munka előtt minden tápforrást ki kell kapcsolni, és csak az összes kábelezés megfelelő ellenőrzése után szabad visszakapcsolni.
- Főkapcsolót és megszakítót vagy biztosítékot kell beszerezni, a kapacitásnak a maximális áramerősség legalább 1,5-szeresének kell lennie.
- Külön mellékáramkörnek és egyedi csatlakozóaljzatnak kell rendelkezésre állnia a berendezéshez.
- A vezeték keresztmetszete a névleges áramerősségtől, valamint az országos és helyi elektromos kábelezési szabályoktól függ. A különleges követelményeknél vegye figyelembe az épületekre vonatkozó helyi szabályokat és az országos elektromos előírásokat.
- Ha a tápkábel sérült, azt a veszély elkerülése érdekében a gyártóval vagy a szervizzel, illetve az erre megfelelően képzett személlyel ki kell cseréltetni.
- A hálózati tápellátásra az egységet megszakítón keresztül kell csatlakoztatni, illetve olyan kapcsolóval, amelynek nyitási távolsága legalább 3 mm minden pólusnál. Javasolt legfeljebb 30 mA névleges működési áramerősségű maradékáramot kezelő eszköz (RCD) felszerelése.
- A berendezés, kizárólag tesztelési célra, egy földcsatlakozást is tartalmaz.

## Az egyes típusok névleges áramerőssége

Típus	Névleges áram (A)	Biztosíték értéke (A)	Bemeneti tápkábel (minimális keresztmetszet)	Csatlakozókábel (minimális keresztmetszet)
38QHP09E8S-1	13,0	20	3*1,5 mm <sup>2</sup>	5*1,5 mm <sup>2</sup>
38QHP12E8S-1	13,0	20	3*1,5 mm <sup>2</sup>	5*1,5 mm <sup>2</sup>

### FIGYELEM:

1. Az összes tápkábelt az országos és helyi elektromos kábelezési szabályok szerint kell méretezni. A különleges követelményeknél vegye figyelembe az épületekre vonatkozó helyi szabályokat és az országos elektromos előírásokat.
2. A kültéri táp- és csatlakozókábel típusa csak H07RN-F lehet.
3. A berendezés névleges áramerőssége a típusablán látható.
4. A kültéri egység biztosítékának specifikációja: T20A/250VAC (csak az R32 hűtőközeget használó egységeknél alkalmazható) Megjegyzés: A biztosíték kerámiából készült.

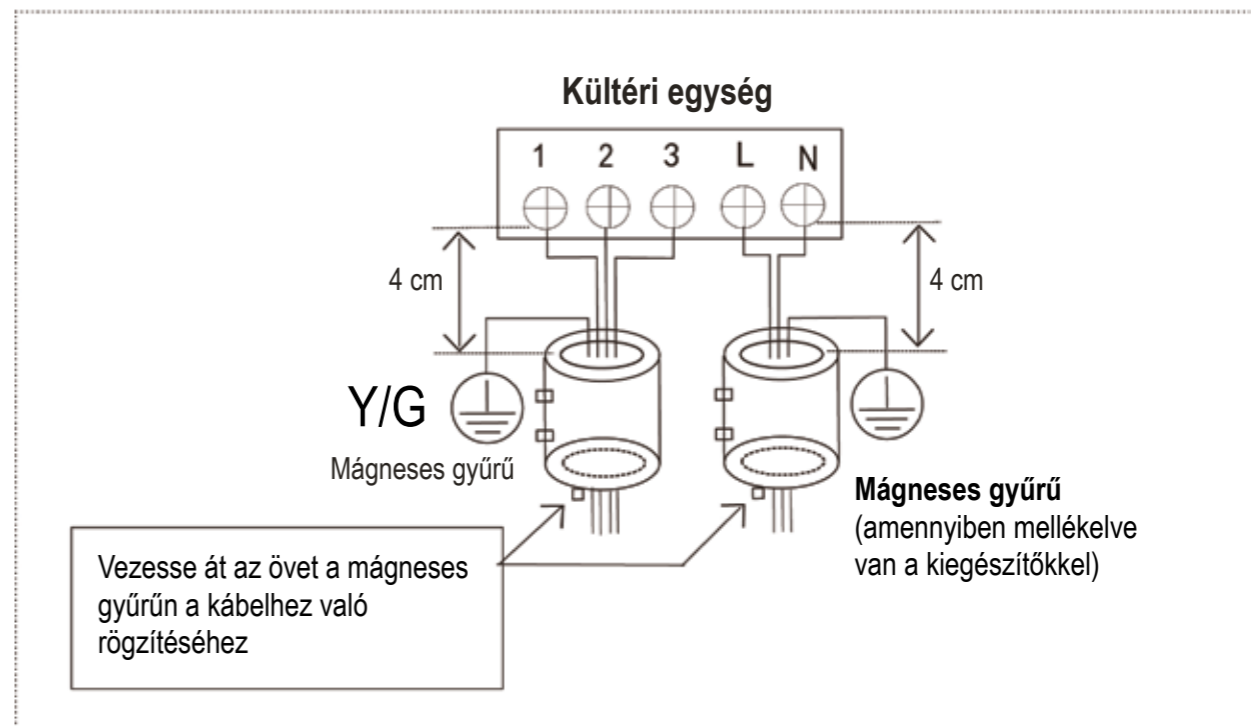
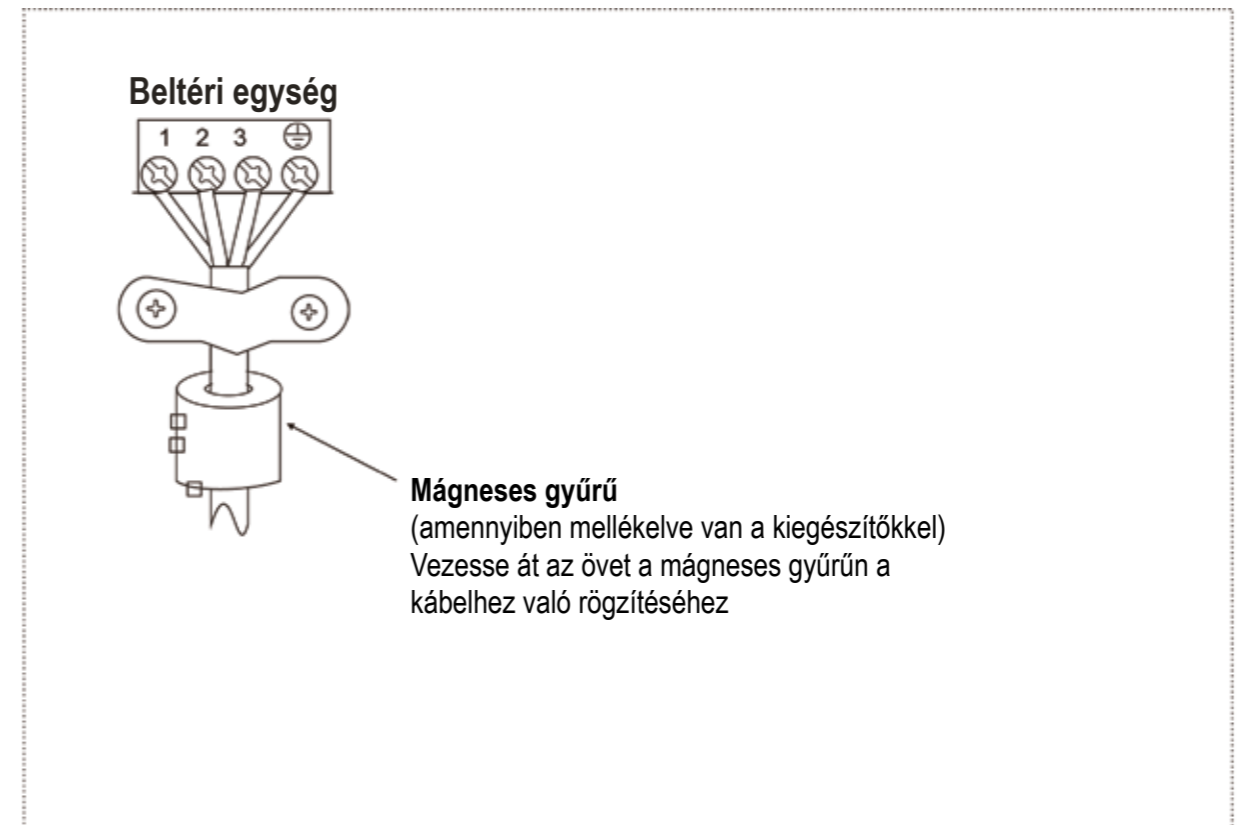


## Bekötési rajz

Modell	Beltéri egység	Kültéri egység
QHP09 QHP12		

## Mágneses gyűrű beszerelése

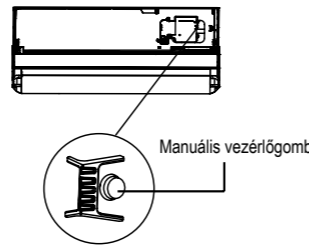
Megjegyzés: A sorkapocs eltérő lehet a típustól függően.



### 6.1. A VÉGSŐ ELLENŐRZÉS LÉPÉSEI

A telepítés befejezéseként a próbaüzem előtt hajtsa végre a következő ellenőrzéseket.

- A telepítési hely erőssége a beltéri és a kültéri oldalon egyaránt, ellenőrizni kell, hogy ne legyenek akadályok az egység légkimeneténél és a visszatérési ágban.
- A hűtőközegcső-csatlakozás szorossága, és ellenőrizni kell, hogy nincs-e szivárgás.
- Az elektromos csatlakoztatások megfelelő végrehajtása és az egység földelése.
- A csővezetékek teljes hosszúságának ellenőrzése, a kiegészítő hűtőközeg mennyiségének feljegyzése.
- A tápellátásnak meg kell felelnie a légkondicionáló névleges feszültségének.
- A csövek szigetelése.
- Elvezetés.



### 6.2. KÉZI MŰKÖDTETÉS

A kézi működtetés a megfelelő gombbal hajtható végre.

Nyomja meg a kézi gombot az üzemmódok közötti váltáshoz:

- Egyszer = automatikus üzemmód [fűtés, hűtés vagy ventilátor 24 °C értéken, ventilátor automatikus fordulatszáma].
- Kétszer = hűtés üzemmód [30 perc után automatikus üzemmódra vált (elsősorban próbaüzemnél használható)].
- Háromszor = kikapcsolás.

### 6.3. PRÓBAÜZEM

Állítsa a légkondicionálót hűtés üzemmódba a távirányítóval (vagy a kézi gombbal), és ellenőrizze a beltéri és kültéri egység megfelelő működését. Hibás működésnél a használati útmutató „Hibaelhárítás” fejezete alapján oldja meg a problémát.

#### Beltéri egység

- Megfelelően működnek-e a távirányító gombjai (például ON/OFF, MODE, TEMPERATURE, FAN SPEED stb.).
- Megfelelő-e a légnylás mozgása.
- Megfelelő-e a helyiség hőmérsékletének beállítása.
- Megfelelőek-e a kijelzőpanel jelzőfényei.
- Megfelelően működik-e a „kézi” gomb.
- Megfelelő-e az elvezetés.
- Tapasztalható-e rezgés vagy rendellenes zaj a működés során.
- Megfelelően működik-e a beltéri egység a hűtés és a fűtés üzemmódban.

#### Kültéri egység

- Tapasztalható-e rezgés vagy rendellenes zaj a működés során.
- A légkondicionáló által keltett légáramlás, zaj vagy kondenzvíz zavarja-e a szomszédokat.
- Van-e hűtőközeg-szivárgás.

#### FIGYELMEZTETÉS

- Az egység újraindításakor a védelem érdekében a kompresszor kb. 3 perces késleltetése lép működésbe.

### 7.1. A TERÜLET ELLENŐRZÉSE

Mielőtt elkezdené dolgozni a gyúlékony hűtőközeget tartalmazó rendszereken, a gyulladás veszélyének elkerülése érdekében biztonsági ellenőrzéseket kell végezni. A hűtőrendszer javításakor a következő óvintézkedéseket kell betartani a rendszeren való munka megkezdése előtt.

### 7.2. MUNKAFOLYAMAT

A munkákat kontrollált eljárás keretein belül kell elvégezni, így minimalizálható annak az esélye, hogy a munkálatok végzésekor gyúlékony gáz vagy gőz van jelen.

### 7.3. ÁLTALÁNOS MUNKATERÜLET

A teljes karbantartó személyzetet és a területen dolgozókat instrukciókkal kell ellátni az elvégzendő munkálatokkal kapcsolatban. A szűk helyen való munkavégzést el kell kerülni. A munkaterület körüli részt el kell keríteni. A gyúlékony anyagok ellenőrzésével biztosítani kell a munkaterület biztonságát.

### 7.4. HŰTŐKÖZEG MEGLÉTÉNEK ELLENŐRZÉSE

A területet a munkavégzés előtt és alatt megfelelő hűtőközeg-jelzővel kell ellenőrizni. Így a szakember tudatában van annak, ha a levegő potenciálisan gyúlékony anyagot tartalmaz. Biztosítani kell, hogy a szivárgásjelző berendezés megfelelő a gyúlékony hűtőközeggel való használatra (azaz nem generál szikrát, megfelelően szigetelve van, illetve a belső működése is biztonságos).

### 7.5. TŰZOLTÓ KÉSZÜLÉK JELENLÉTE

Ha a hűtőkészüléken vagy a kapcsolódó alkatrészekben hő kibocsátással járó munkát kell végezni, kéznél kell lennie egy megfelelő tűzoltó készüléknek. A feltöltési terület mellett álljon készen egy oltóhabos vagy széndioxidos tűzoltókészülék.

### 7.6. LE LEGYENEK JELEN GYÚJTÓFORRÁSOK

Azoknak a személyeknek, akik a hűtőrendszeren a hűtőközeget tartalmazó (vagy korábban tartalmazó) csövekkel kapcsolatos munkálatokat végeznek, minden gyújtóforrást olyan módon kell használniuk, hogy az ne járhasson a tűz vagy robbanás veszélyével. Minden lehetséges gyújtóforrást (ideértve az égő cigarettát) megfelelő távolságban kell tartani a telepítés, a javítás, az eltávolítás és a hűtőközeg szabadba jutásának veszélyével járó hulladékkezelés helyszínétől. A munkálatok megkezdése előtt meg kell győződni arról, hogy a készülék vizsgálatára szolgáló területen nem található gyúlékony anyag, valamint arról, hogy nem áll fenn a gyulladás veszélye. Kötelező a „TILOS A DOHÁNYZÁS” feliratú táblák használata.

### 7.7. SZELLŐZŐ TERÜLET

Mielőtt behatol a rendszerbe vagy bármilyen jellegű hő kibocsátással járó munkát végez, győződjön meg arról, hogy a terület nyitott és megfelelően szellőzik. A munkálatok elvégzése közben is biztosítani kell a megfelelő szellőzést. Olyan szellőzés szükséges, amely biztonságosan eloszlatja a kibocsátott hűtőközeget, illetve amely lehetőleg továbbítja azt a szabad levegőre.

### 7.8. A HŰTŐBERENDEZÉS ELLENŐRZÉSE

Elektromos összetevők cseréjekor azoknak a célnak és a műszaki specifikációknak megfelelőnek kell lenniük. A gyártó karbantartási és szervizelési irányelveit mindig be kell tartani. Bármilyen kétség felmerülésekor forduljon a gyártó műszaki részlegéhez segítségért. A gyúlékony anyagokat alkalmazó telepítések esetén a ellenőrizni kell a következőket:

- megfelelő a töltési méret annak a szobának a szempontjából, amelyben telepítve vannak a hűtőközeget tartalmazó alkatrészek;
- megfelelő és akadálymentes a szellőztető berendezések és kimenetek működése;
- közvetett hűtőkör használatakor található hűtőközeg a másodlagos hűtőkörökben; a berendezés jelölései láthatók és olvashatók;
- az olvashatatlan jelöléseket javítani kell;
- a hűtőrendszer csövei vagy összetevői olyan helyre vannak telepítve, ahol valószínűleg nem érheti a hűtőközeget tartalmazó összetevőket korróziót okozó anyag; kivéve, ha az összetevők eleve korrózióálló anyagból készültek, illetve amelyek védve vannak a korrodálódás ellen.

### 7.9. ELEKTROMOS ESZKÖZÖK ELLENŐRZÉSE

Az elektromos összetevők javítása és karbantartása során el kell végezni a kezdeti biztonsági ellenőrzéseket, illetve meg kell vizsgálni az összetevőket. A biztonságos működést veszélyeztető hibák esetén a hiba elhárításáig tilos biztosítani a kör tápellátását. Ha a hiba nem javítható ki azonnal, de szükséges az, hogy a készülék továbbra is működjön, megfelelő átmeneti megoldást kell alkalmazni. Erről értesíteni kell a berendezés tulajdonosát, hogy minden fél tisztában legyen a problémával.

#### A kezdeti biztonsági ellenőrzések során a következőket kell vizsgálni:

- a kondenzátorok ki vannak sütve; ezt olyan biztonságos módon kell elvégezni, hogy ne keletkezessen szikra;
- a rendszer töltésekor, visszaállításakor vagy légtelenítésekor nincsenek olyan áram alatt lévő elektromos összetevők és vezetékek, amelyek nincsenek lefedve;
- a földelés megszakításmentes.

### 7.10. A SZIGETELT ÖSSZETEVŐK JAVÍTÁSA

- 10.1. A szigetelt összetevők javítása során a javított berendezést teljesen le kell választani a tápellátásról a szigetelt fedelek stb. eltávolítása során. Ha a javítás során elengedhetetlen valamelyik összetevő tápellátásának biztosítása, akkor a legkritikusabb ponton egy folyamatosan működő szivárgásjelző használata szükséges, amely figyelmeztet a potenciálisan veszélyes helyzetekre.
- 10.2. Különös figyelmet kell fordítani a következőkre annak érdekében, hogy az elektromos összetevőkön végzett munka során a ház ne módosuljon olyan módon, amely befolyásolja a biztosított védelmet. Ide tartozik többek között a kábelek sérülése, a túlzott számú csatlakozás, a nem az eredeti specifikációk alapján készült csatlakozók, a szigetelés sérülése, illetve a tömszelencék nem megfelelő illesztése.
- Győződjön meg arról, hogy a berendezés biztonságosan van felszerelve.
  - Győződjön meg arról, hogy a szigetelések és a szigetelőanyagok nem károsodtak olyan módon, hogy már nem képesek megakadályozni a gyúlékony gázok szivárgását. A cserealkatrészeknek meg kell felelniük a gyártó specifikációinak.

MEGJEGYZÉS: A szilikon szigetelések használata csökkentheti bizonyos szivárgásjelző berendezések hatékonyságát.

Az eleve biztonságos összetevőket a nem kell izolálni a munkavégzés előtt.

### 7.11. AZ ELEVE BIZTONSÁGOS ÖSSZETEVŐK JAVÍTÁSA

Csak akkor tegye ki a kört induktív vagy kapacitív terhelésnek, ha meggyőződött arról, hogy az nem haladja meg a használt berendezéshez megengedett feszültséget és áramerősséget. Kizárólag az eleve biztonságos összetevőkön végezhető munka áramtalanítás nélkül úgy, hogy a levegő gyúlékony anyagot tartalmaz. A tesztelési berendezésnek megfelelő névleges jellemzőkkel kell rendelkeznie. Csak a gyártó által megadott cserealkatrészeket használja. Az ettől eltérő alkatrészek használata szivárgást okozhat, amely a levegőbe jutott hűtőközeg gyulladásához vezethet.

### 7.12. KÁBELEK

Ellenőrizze, hogy a kábeleken nem tapasztalható kopás, korrózió, valamint hogy azok nincsenek kitéve túlzott mértékű nyomásnak, rázkódásnak, éles felületekkel való érintkezésnek, illetve bármilyen káros környezeti hatásnak. Az ellenőrzés során figyelembe kell venni az anyagfáradás, illetve a kompresszorok vagy ventilátorok által keltett folyamatos rezgés hatásait.

### 7.13. GYÚLÉKONY HŰTŐKÖZEG ÉSZLELÉSE

A hűtőközeg-szivárgás észleléséhez minden körülmények között tilos potenciális gyújtóforrásokat használni. Tilos a halogénlámpák (és bármely nyílt lángot alkalmazó érzékelőberendezés) használata.

### 7.14. SZIVÁRGÁSÉRZÉKELÉSI MÓDSZEREK

A gyúlékony hűtőközeget tartalmazó rendszerek esetén a következő szivárgásérzékelési módszerek használata elfogadható. A gyúlékony hűtőközegek észleléséhez elektronikus szivárgásérzékelőket kell használni, azonban előfordulhat, hogy azok érzékenysége nem megfelelő, illetve hogy újralibrálás szükséges. Az érzékelőberendezések kalibrálását hűtőközegmentes területen kell elvégezni. Győződjön meg arról, hogy az érzékelő nem potenciális gyújtóforrás, valamint arról, hogy megfelel a hűtőközeg szempontjából. A szivárgásérzékelő berendezést a hűtőközeg LFL-százalékának megfelelően kell beállítani, a használt hűtőközeg alapján kell kalibrálni, és ellenőrizni kell a megfelelő gázarányt (max. 25 százalék). A legtöbb hűtőközeghez megfelelőek a szivárgásérzékelő folyadékok, de a klórt tartalmazó anyagok használatát kerülni kell, mert előfordulhat, hogy a klór reakcióba lép a hűtőközeggel, és korrodálhatja a rézcsöveket. Ha fennáll a szivárgás gyanúja, minden nyílt lángot el kell távolítani a közelből vagy el kell oltani. Olyan szivárgás észlelésekor, amelynek kijavításához forrasztásra van szükség, akkor minden hűtőközeget el kell távolítani a rendszerből, vagy a hűtőközeget zárószelepek használatával a rendszer egy, a szivárgástól távoli részén kell izolálni. A forrasztás előtt és közben oxigénmentes nitrogént (OFN) kell átfúvatni a rendszeren.

### 7.15. ELTÁVOLÍTÁS ÉS LÉGTENENÍTÉS

Amikor javítás vagy egyéb munkavégzés céljából be kell hatolni a hűtőkörbe, hagyományos eljárásokat kell alkalmazni. Azonban nagyon fontos a bevált módszerek alkalmazása, mert fennáll a gyulladás veszélye.

A következő eljárásokat kell követni:

- hűtőközeg eltávolítása;
- a kör átfúvatása közömbös gázzal;
- légtelenítés;
- újbóli átfúvatás közömbös gázzal;
- a kör megnyitása vágással vagy forrasztással.

A hűtőközeget a megfelelő tartályokba kell elvezetni. A rendszert oxigénmentes nitrogénnel kell átfúvatni a biztonság érdekében. Előfordulhat, hogy ezt többször is el kell végezni.

Ehhez az eljáráshoz nem használható sűrített levegő vagy oxigén.

A rendszer tisztításához oxigénmentes nitrogén használatával meg kell szüntetni a rendszerben fennálló vákuumot, folytatni kell a feltöltést a működési nyomás eléréséig, ezután el kell végezni a rendszer szellőztetését, végül pedig vissza kell állítani a vákuumot. Ezt az eljárást addig kell ismételni, amíg minden hűtőközeg távozik a rendszerből.

Az utolsó adagnyi oxigénmentes nitrogén alkalmazása után a rendszert szellőztetni kell, amíg az eléri a normál légnyomást, hogy meg lehessen kezdeni a munkavégzést. Ez a művelet életbevágó fontosságú, ha a csöveken forrasztási munkálatokat kell végezni. Győződjön meg arról, hogy a vákuumszivattyú kivezetése nem esik közel semmilyen gyújtóforráshoz, valamint arról, hogy biztosítva van a megfelelő szellőzés.

## 7.16. FELTÖLTÉSI ELJÁRÁSOK

A hagyományos feltöltési eljárásokon kívül a következő követelményeknek kell megfelelni:

- Biztosítsa azt, hogy a különböző hűtőközegek nem szennyeződnek a töltőberendezés használatakor. A csövek és tömlők legyenek a lehető legrövidebbek annak érdekében, hogy azokban a lehető legkevesebb hűtőközeg legyen jelen.
- A tartályok legyenek függőleges helyzetben.
- A hűtőközeggel való feltöltés előtt győződjön meg arról, hogy a hűtőrendszer földelve van.
- A feltöltés befejezése után lássa el jelzéssel a rendszert (ha azon már nem található eleve jelzés).
- Rendkívüli figyelmet kell arra fordítani, hogy a rendszer ne legyen túltöltve.
- A rendszer újratöltése előtt oxigénmentes nitrogénnel ellenőrizni kell a nyomást. A rendszer feltöltését követően az üzembe helyezés előtt szivárgásellenőrzést kell végezni. Ismételt szivárgásellenőrzés

## 7.17. LESZERELÉS

Az eljárás elvégzéséhez elengedhetetlen, hogy a szakember tökéletesen ismerje a készüléket és annak minden tulajdonságát. Javasolt eljárás a teljes hűtőközeg tárolótartályokba történő biztonságos elvezetése. A feladat elvégzése előtt olaj- és hűtőközegmintát kell venni.

Ez azért fontos, mert előfordulhat, hogy a visszanyert hűtőközeg újbóli felhasználása előtt analízis szükséges. Elengedhetetlen, hogy a feladat megkezdése előtt legyen rendelkezésre álló elektromos áram.

- a) Ismerje meg a berendezést és annak működését.
- b) Végezze el a rendszer elektromos izolálását.
- c) Az eljárás megkezdése előtt győződjön meg az alábbiakról:
  - a hűtőközeg-tartályok kezeléséhez rendelkezésre áll mechanikus kezelőberendezés, amennyiben ez szükséges;
  - minden személyes védőfelszerelés rendelkezésre áll, és ezeket megfelelően használják;
  - a tartályokba történő leeresztést egy hozzáértő szakember felügyeli;
  - a leeresztéshez használt eszközök és a tartályok megfelelnek a vonatkozó szabványoknak.
- d) Ha lehetséges, szivattyúval ürítse ki a rendszert.
- e) Ha a vákuumos megoldás nem kivitelezhető, használjon csőelágazást, hogy a hűtőközeget el lehessen távolítani a rendszer különböző részeiről.
- f) A leeresztés előtt a tartályt helyezze a mérlegre.
- g) Indítsa el a leeresztéshez használt gépet, és működtesse azt a gyártó utasításainak megfelelően.
- h) Ne töltse túl a tartályokat. (A folyadék mennyisége ne lépje túl a térfogat 80%-át).
- i) Ne lépje túl a tartály maximális üzemi nyomását, még átmenetileg sem.
- j) A tartályok megfelelő feltöltése és az eljárás befejezése után azonnal távolítsa el a tartályokat és a berendezést a helyszínről, és zárja el a berendezés összes izolációs szelepét.
- k) A visszanyert hűtőközeget tilos tisztítás és ellenőrzés nélkül egy másik hűtőrendszerbe tölteni.

## 7.18. JELZÉSEK

A berendezésen jelezni kell, hogy a berendezésből leeresztették a hűtőközeget, illetve hogy a berendezést leszerelték. A jelzésen szerepelnie kell a dátumnak és az aláírásnak. Győződjön meg arról, hogy a berendezésen található címkék jelzik azt, hogy a berendezés gyűlékony hűtőközeget tartalmaz.

## 7.19. LEERESZTÉS

- Amikor szervizelés vagy leszerelés céljából eltávolítja egy rendszerből a hűtőközeget, javasolt a hűtőközegek biztonságos eltávolítása.
- Amikor a hűtőközeget tartályokba ereszti le, csak megfelelő tárolótartályokat használjon. Győződjön meg arról, hogy rendelkezésre áll a rendszer teljes hűtőközeg-tartalmának tárolásához szükséges mennyiségű tartály. Csak a leeresztett hűtőközeg tárolására készült, az adott hűtőközeg címkéjét tartalmazó tartályokat használjon (azaz olyan speciális tartályokat, amelyeket kimondottan hűtőközeg-tárolásra terveztek). A tartályoknak megfelelően működő nyomáskiegyenlítő szelepeket és elzárószelepeket kell tartalmazniuk.
- Az üres tárolótartályokat a leeresztés előtt légteleníteni kell, és ha lehetséges, a tartályokat le kell hűteni.
- A leeresztéshez használt berendezésnek megfelelően kell működnie, kéznél kell lennie a berendezés működési leírásának, és a berendezésnek alkalmasnak kell lennie gyűlékony hűtőközegek leeresztésére. Emellett rendelkezésre kell állnia kalibrált és megfelelően működő mérlegeknek is.
- A tömlőkhöz tartoznia kell egy szivárgásmentes leválasztócsatlakozónak, és a tömlőnek szivárgásmentesnek kell lennie. A leeresztéshez használt gép használata előtt győződjön meg arról, hogy a gép megfelelő állapotban van, arról, hogy a gépet megfelelően karbantartották, illetve arról, hogy minden kapcsolódó elektromos összetevő szigetelve van; ez utóbbi azért fontos, hogy a hűtőközeg esetleges levegőbe jutása esetén az összetevők ne okozhassanak gyulladást. Bármilyen kétség felmerüléskor forduljon a gyártóhoz.
- A leeresztett hűtőközeget a megfelelő tárolótartályban kell visszajuttatni a hűtőközeg forgalmazójának, és be kell tartani a vonatkozó hulladékszállítási utasításokat. Ne keverje a hűtőközegeket a leeresztőegységekben, és ami még ennél is fontosabb, a tartályokban.
- Kompresszorok vagy kompresszorolaj eltávolítása esetén azokat megfelelően légteleníteni kell, hogy biztosan ne maradjon gyűlékony hűtőközeg a kenőanyagban. A leeresztési eljárást azelőtt kell végrehajtani, mielőtt visszajuttatná a kompresszorokat a forgalmazóknak. A folyamat felgyorsítására csak a kompresszorváz elektromos fűtése használható. A rendszerből csak óvatosan szabad leeresztetni az olajat.

## 7.20. AZ EGYSÉGEK SZÁLLÍTÁSA, JELZÉSSSEL VALÓ ELLÁTÁSA ÉS TÁROLÁSA

1. A gyűlékony hűtőközeget tartalmazó berendezések szállítása  
Tartsa be a szállítási előírásokat
2. A berendezések ellátása jelzésekkel  
Tartsa be a helyi előírásokat
3. A gyűlékony hűtőközeget tartalmazó berendezések hulladékkezelése  
Tartsa be az adott ország előírásait
4. A berendezések tárolása  
A berendezések tárolása történjen a gyártó utasításainak megfelelően.
5. A becsomagolt (még nem értékesített) berendezések tárolása  
A tárolócsomagot olyan védelemmel kell ellátni, amely a berendezés mechanikus sérülésekor megakadályozza a hűtőközeg szivárgását.  
Az egy helyen tárolható berendezések maximális számát a helyi előírások határozzák meg.

Утврдено е дека овој производ е во согласност со Директивата за низок напон (2014/35/EU) и Директивата за електромагнетна компатибилност (2014/30/EU) на Европската унија.



## Правилно отстранување на овој производ (Отпад од електрична и електронска опрема)

(При користењето на клима-уредот во европските земји, треба да се следат следниве насоки)

– Оваа ознака на производот или на неговото упатство укажува на тоа дека отпадот од електронската и електричната опрема (ОЕЕО според Директивата 2012/19/ЕС) не треба да се меша со отпадот од домаќинствата. Се забранува отстранувањето на овој апарат во отпадот од домаќинството. Постојат неколку можности за отстранување:

1. Во општината има воспоставено систем за собирање каде што корисникот може бесплатно да го отстрани електронскиот отпад.
2. При купувањето нов производ, трговецот ќе го земе стариот производ бесплатно.
3. Производителот ќе го земе стариот апарат и ќе го отстрани бесплатно за корисникот.
4. Бидејќи старите производи содржат вредни ресурси, може да се продадат на дилерите со стар метал. Отстранувањето на отпадот на диво, во шуми и во природа го загрозува вашето здравје кога опасни супстанции истекуваат во подземните води и преку тоа доаѓаат до синџирот на исхрана.

Овој производ содржи флуорирани гасови опфатени со Протоколот од Кјото

Хемиско име на гасот	R32
Потенцијал за глобално затоплување (GWP) на гас	675

### ! ПРЕТПАЗЛИВОСТ

1. Залепете ја приложената етикета за средството за ладење во непосредна близина на локацијата за полнење и/или враќање.
2. Јасно напишете ја надополнетата количина на средството за ладење на етикетата користејќи неизбришливо мастило.
3. Спречување емисија на содржаниот флуориран гас. Уверете се дека флуорираниот гас никогаш не се испушта во атмосферата при монтажата, сервисирањето или отстранувањето во отпад. Кога ќе се забележи истекување на содржаниот флуориран гас, течењето ќе се сопре и ќе се поправи во најкраток можен рок.
4. Дозволено е да пристапи само квалификуваниот сервисен персонал за да го сервисира овој производ.
5. Секое ракување со флуорираниот гас во овој производ, како на пример кога се поместува производот или се полни гасот, треба да биде во согласност со Регулативата (ЕС) бр. 517/2014 на одредени флуорирани стакленички гасови и сите релевантни локални закони.
6. Ако има инсталирано систем што открива протекување, мора да се проверува за протекување најмалку на секои 12 месеци.
7. Кога уредот се проверува за протекување, се препорачува правилно водење евиденција за сите проверки.

Внатрешна единица	Надворешна единица	Номинален напон и Hz
42QHP09E8S-1	38QHP09E8S-1	220-240V~, 50Hz
42QHP12E8S-1	38QHP12E8S-1	

Производителот го задржува правото за промена на некои спецификации без претходна најава.

## СОДРЖИНА

1. ПОДГОТОВКА ЗА МОНТИРАЊЕ .....	3
1.1 Мерки за претпазливост .....	3
1.2 Додатоци.....	5
1.3 Избирање место за монтажа .....	6
2. МОНТИРАЊЕ НА ВНАТРЕШНАТА ЕДИНИЦА .....	7
2.1 Монтажна плоча на внатрешната единица .....	7
2.2 Процес на монтажа .....	8
3. МОНТИРАЊЕ НА НАДВОРЕШНАТА ЕДИНИЦА .....	9
3.1 Димензии за монтажа на надворешна единица .....	9
3.2 Потребен простор за надворешна единица .....	9
3.3 Поврзување на надворешната жица .....	10
3.4 Монтирање на надворешната единица .....	10
3.5 Монтирање на одводната цевка за надворешната единица .....	10
4. МЕСТЕЊЕ НА ЦЕВКИТЕ ЗА ЛАДЕЊЕ .....	11
4.1 Проширување .....	11
4.2 Местење цевки .....	11
4.3 Цевка за ладење .....	12
4.4 Испуштање на воздухот .....	12
4.5 Тест за протекување .....	12
5. ЕЛЕКТРИЧНО ПОВРЗУВАЊЕ .....	13
6. ПОСЛЕДНА ПРОВЕРКА И ПРОБНО РАБОТЕЊЕ .....	14
6.1 Список за последна проверка .....	14
6.2 Рачно работење .....	14
6.3 Пробно работење .....	14
7. ИНФОРМАЦИИ ЗА СЕРВИСИРАЊЕ .....	15



Внимание: Ризик од пожар само за R32 / R290 средство за ладење



## 1.1 МЕРКИ ЗА ПРЕТПАЗЛИВОСТ

- Монтирањето, вклучувањето и сервисирањето на опремата за климатизирање може да биде опасно поради системскиот притисок, електричните компоненти и локацијата на опремата (покриви, подигнати структури итн.).
- Само обучени, квалификувани монтери и сервисери треба да ја инсталираат, вклучуваат и да ја користат оваа опрема.
- Кога се работи на опремата, треба да се почитуваат мерките на претпазливост дадени во упатствата и во ознаките, налепниците и етикетите прикачени на опремата.
- Следете ги сите безбедносни норми. Носете заштитни очила и ракавици. Додека лемите, имајте крпа и апарат за гаснење пожар во близина. Внимателно ракувајте, местете и поставувајте ја гломазната опрема.
- Темелно прочитајте ги овие упатства и следете ги сите предупредувања или мерки на претпазливост дадени во упатствата и прикачени на единицата. Погледнете ги локалните норми за градба и националниот електричен кодекс за посебни барања.

### ! ПРЕДУПРЕДУВАЊЕ

Овој симбол укажува на можноста за повреда на персоналот или губење на животот.

- **Ладилниот гас е потежок од воздухот и го заменува кислородот. Масовното истекување може да доведе до осиромашување на кислородот, особено во подруми и може да се случи несреќа со задушување што би довело до сериозни повреди или смрт.**
- Кога клима уредот е монтиран во мала соба, обезбедете соодветни мерки за да се уверите дека концентрацијата на протечено средство за ладење во собата не го надминува критичното ниво.
- **Ако ладилниот гас протече при монтажата, веднаш проветрете ја областа.**  
Ладилниот гас може да произведе токсичен гас ако дојде во контакт со оган, како на пример од греалка, шпорет или уред за готвење. Изложеноста на овој гас може да предизвика сериозна повреда или смрт.
- **Исклучете го уредот од електричната мрежа пред вршењето на каква било електрична работа. Правилно поврзете го кабелот за поврзување.**  
Погрешното поврзување може да резултира со оштетување на електричните делови.
- Користете ги одредените кабли за електричните врски и цврсто прикачете ги жиците на делот за поврзување на клемата, така што надворешната сила нема да притиска на терминалот.
- **Не заборавајте да обезбедите заземјување.**  
Не заземјувајте ги уредите на цевки за гас, цевки за вода, громобрани или телефонски жици. Некомплетното заземјување може да предизвика сериозна опасност од електричен удар од што може да дојде до повреда или смрт.
- **Безбедно ослободете се од материјалите од пакувањето.**  
Материјалите за пакување, како што се шајките и други метални или дрвени делови, може да предизвикаат убои или други повреди. Распарчете ги и фрлете ги пластичните кеси за пакување за децата да не си играат со нив. Децата кои си играат со пластични кеси се соочуваат со опасност од задушување.
- **Не монтирајте опрема близу до концентрации на запаливи гасови или до испарувања од гас.**
- **Бидете сигурни да ги употребите испорачаните или точно определените монтажни делови.**  
Употребата на други делови може да доведе до олабавување на уредот, протекување вода, струен удар, пожар или оштетување на опремата.
- **Кога го инсталирате или преместувате системот, не дозволувајте да влезе воздух или каква било друга супстанца во колото за ладење, освен утврденото средство за ладење (R410A).**
- **Никогаш не менувајте ја единицата со отстранување на некое од заштитните средства или со прескокнување на безбедносните прекинувачи за блокирање.**
- **Електричната работа треба да се врши во согласност со упатството за монтажа и националните, државните и локалните норми за електрично поврзување.**

### ! ПРЕДУПРЕДУВАЊЕ

- Уверете се дека користите посебно електрично коло. Никогаш не делете го истиот штекер со други апарати.
- Со цел да се избегне катастрофа поради ненамерно ресетирање на топлинскиот прекинувач, овој апарат не смее да се напојува преку надворешен прекинувачки уред, како што е тајмер, или да е поврзан на струјно коло што редовно се вклучува и исклучува од уредот.
- Користете ги пропишаните кабли за електрично поврзување, заштитени со изолација од соодветната температурна класа.  
Несоодветните кабли може да предизвикаат електрично протекување, неправилно производство на топлина или пожар.
- Не користете средства за да го забрзате процесот на одмрзнување или чистење, освен оние што се препорачани од производителот.
- Во просторијата во која се складира апаратот не смее има извори на палење во постојана употреба (на пр.: отворен пламен, вклучен апарат на гас или вклучена електрична греалка).
- Не продупчувајте и не палете.
- Имајте предвид дека средствата за ладење може да се без мирис.
- Апаратот треба да се складира во простор со добра вентилација и при тоа големината на просторијата треба да соодветствува со наведениот работен простор.
- За моделите со средство за ладење R32:  
Апаратот треба да се монтира, да работи и да се монтира во просторија со подна површина поголема од 4 м<sup>2</sup>.  
Апаратот нема да се монтира во просторија без вентилација ако просторијата е помала од 4 м<sup>2</sup>.
- За моделите со средство за ладење R290, минималната потребна големина на просторијата е:  
единици ≤9000Btu/h: 13 м<sup>2</sup>  
единици >9000Btu/h и ≤12000Btu/h: 17 м<sup>2</sup>  
единици >12000Btu/h и ≤18000Btu/h: 26 м<sup>2</sup>  
единици >18000Btu/h и ≤24000Btu/h: 35 м<sup>2</sup>

### ! ПРЕДУПРЕДУВАЊЕ

Овој симбол укажува на можноста за оштетување на имотот или сериозни последици.

- **За да се избегне телесна повреда, бидете внимателни при ракувањето со делови со остри рабови.**
- **Не монтирајте ги внатрешните или надворешните единици на локација со посебни временски услови.**
- **Не монтирајте на место каде што може да се засили нивото на бучава на единицата или каде што бучавата и испуштениот воздух може да ги вознемируваат соседите.**
- **Безбедно извршете ги работите во врска со цевките и одводот според упатството за монтирање.**  
Несоодветните цевки за одвод може да резултираат со протекување на водата и оштетување на имотот.
- **Не монтирајте го клима уредот на следниве места.**
  - Место каде што има минерално масло или арсенова киселина.
  - Место каде корозивните гасови (како што се гас од сулфурна киселина) или запаливите гасови (како што е разредувач) може да се акумулираат или соберат или каде што се ракува со испарливи согорливи материји.
  - Место каде што има уреди кои произведуваат електромагнетни полиња или хармонија од висока фреквенција.
- Апаратот треба да се складира така што ќе се спречи појава на механичко оштетување.
- Секое лице кое е вклучено во извршување работи на или во колото за ладење, треба да поседува важечки сертификат од акредитиран орган за процена од индустријата, којшто ја овластува неговата способност за безбедно ракување со средства за ладење во согласност со спецификација за процена призната од индустријата.

## 1.2 ДОДАТОЦИ

Следниве додатоци се испорачани со уредот. Видот и обемот може да се разликуваат во зависност од спецификациите.

Име на додатоци	Кол. (парчиња)	Форма	Име на додатоци	Кол. (парчиња)	Форма
Прирачник	3		Далечински управувач	1	
Приклучок за одвод	1		Батерија	2	
Дихтунг	1		Држач за далечински управувач	1	
Плоча за монтажа	1		Завртка Б	2	
Типла	5		Мал филтер	1	
Завртка А	5		Магнетен прстен (некои уреди)	N*	

\* значи според фактичката количина

## 1.3 ИЗБИРАЊЕ МЕСТО ЗА МОНТАЖА

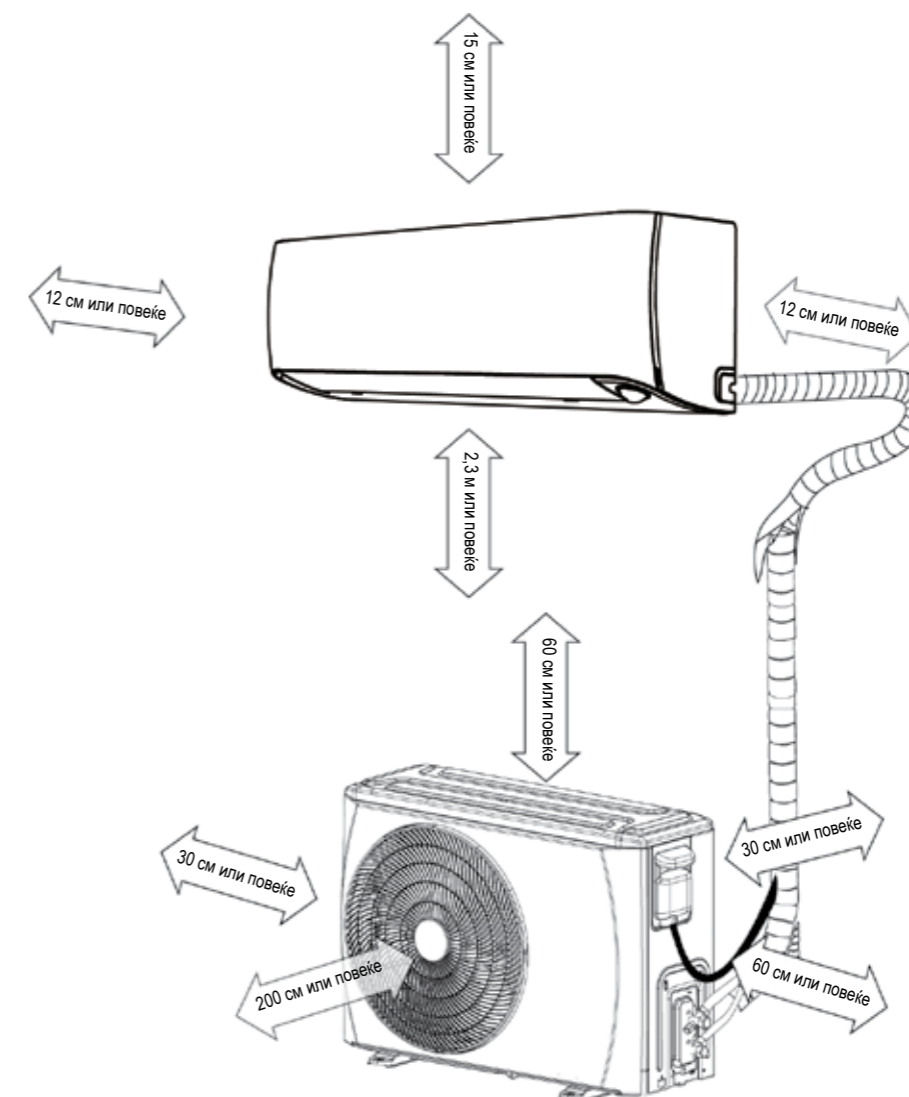
### Внатрешна единица

- Место што може да ја издржи тежината на внатрешната единица.
- Не инсталирајте ја внатрешната единица во близина на директен извор на топлина, како директна сончева светлина или грејно тело.
- Место што обезбедува соодветно растојание како што е прикажано на сликата подолу.
- Подвижните делови на уредот мора да се монтираат/сместат на растојание што не е помало од 2,3 м од подот.

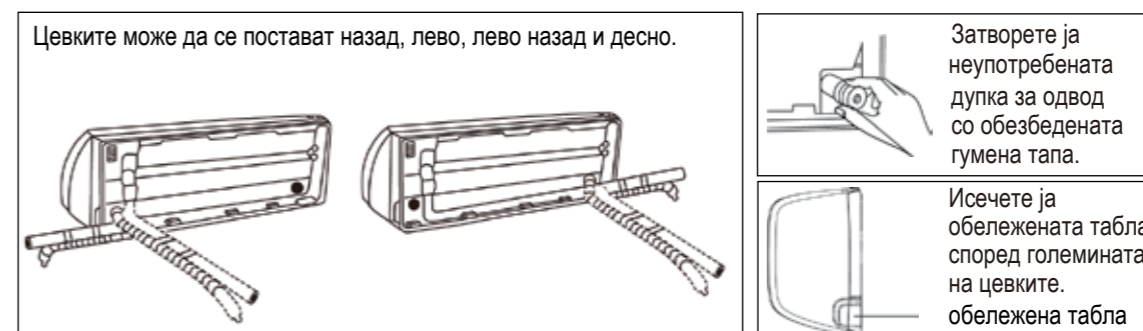
### Надворешна единица

- Место што е погодно за монтажа и не е изложено на силен ветер. Ако уредот е изложен на силни ветрови, се препорачува да се користи штитник за ветер.
- Место што може да ја издржи тежината на надворешната единица и каде што надворешната единица може да се монтира во рамна позиција.
- Место што обезбедува соодветно растојание како што е прикажано на сликата подолу.

Не монтирајте ги внатрешните или надворешните единици на локација со посебни временски услови. Уверете се дека има доволно простор за монтирање и одржување.



Забелешка: обезбедете го растојанието означено со стрелки од ѕидот, таванот, оградата или другите пречки.

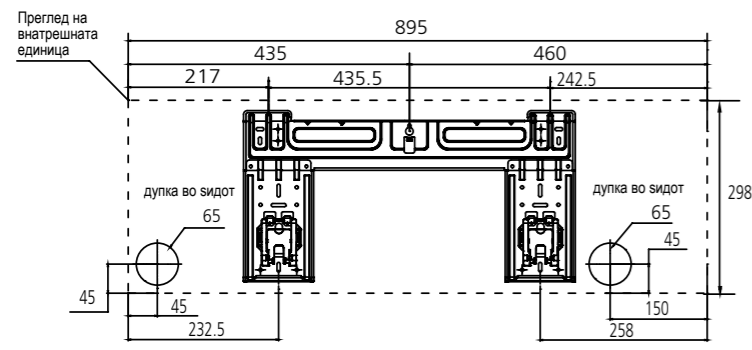


## 2. МОНТИРАЊЕ НА ВНАТРЕШНАТА ЕДИНИЦА

## 2. МОНТИРАЊЕ НА ВНАТРЕШНАТА ЕДИНИЦА



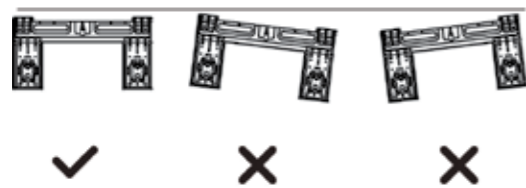
### 2.1 МОНТАЖНА ПЛОЧА НА ВНАТРЕШНАТА ЕДИНИЦА



Забелешка: Кога цевката за поврзување од страната на гасот е Ø16 mm или поголема, отворот за цевката треба да биде 90 mm.

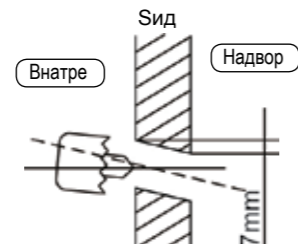
#### ■ Инсталирајте ја монтажната плоча

Прикачете ја монтажната плоча хоризонтално и израмнете ја со сидот со помош на пет или повеќе завртки од типот А.



#### ■ Издупчете дупка во сидот

Издупчете дупка во сидот од 65 mm или 90 mm (во зависност од моделот) така што ќе биде малку навалена кон надвор.



Забелешка:

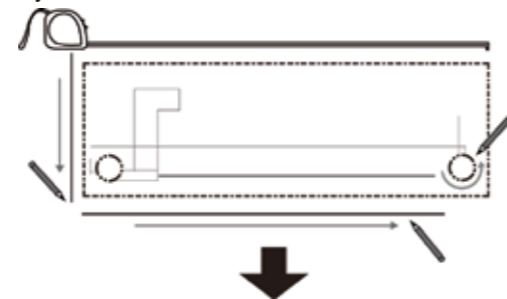
■ Монтажната плоча е прицврстена со завртка заради практичност при испораката, прво отстранете ја завртката пред монтажата. (види ја сликата)



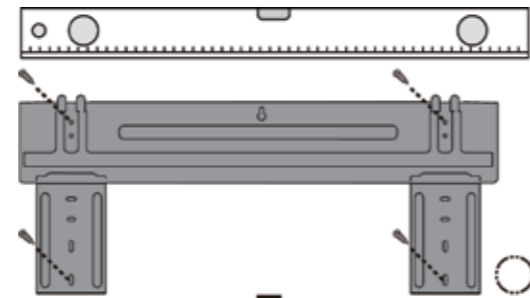
■ Монтажната плоча ќе изгледа како една од сликите во зависност од големината на уредот. Дупките за типлите за прицврстување треба да бидат од 5 mm.

### 2.2 ПРОЦЕС НА МОНТАЖА

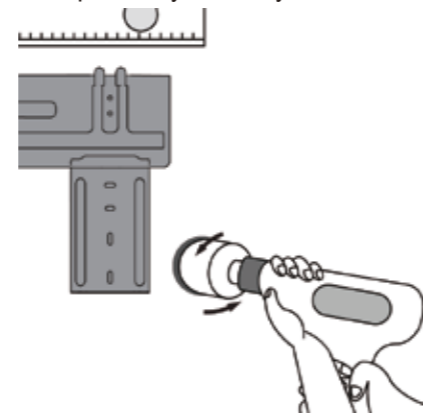
Чекор 1: определете го местото на дупката на сидот



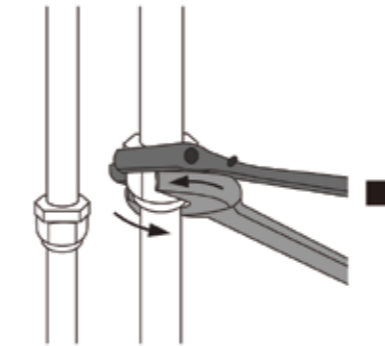
Чекор 2: прикачете ја монтажната плоча



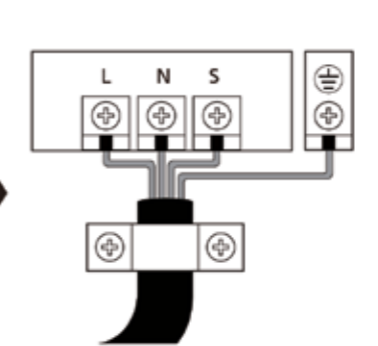
Чекор 3: издупчете дупка во сидот



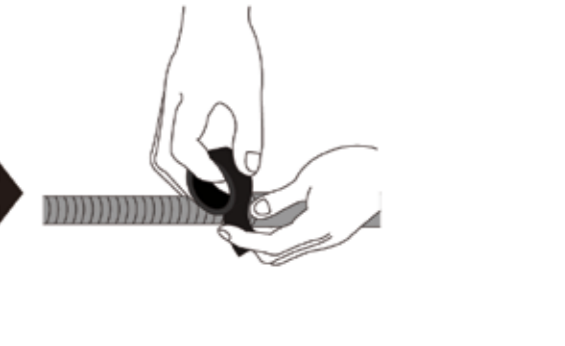
Чекор 4: поврзете ја цевката



Чекор 5: поврзете ја жицата



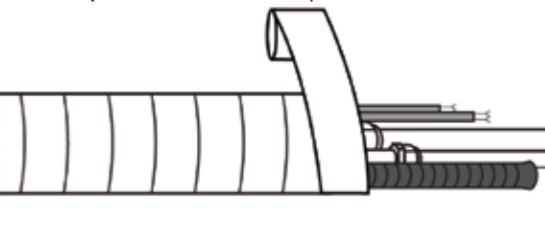
Чекор 6: подгответе го цревето за одвод



Чекор 8: закачете ја внатрешната единица

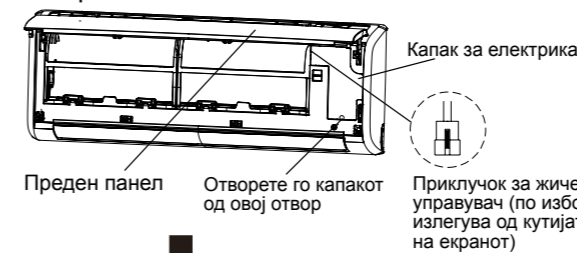


Чекор 7: обложете ги цевката и кабелот



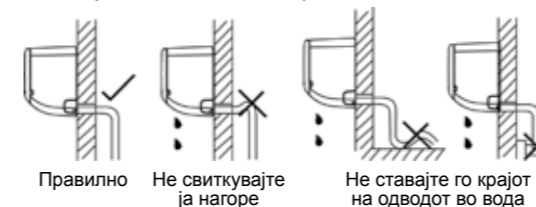
#### ■ Поврзување на внатрешната жица

1. Подигнете го предниот панел на внатрешната единица
2. Отворете го капакот за електрика на внатрешната единица со шрафцигер низ отворот, отстранете го капакот на клемата со рака и отстранете ја стегата за кабелот олабавувајќи ги завртките.
3. Спроведете ги жиците за поврзување од задната страна на внатрешната единица и поврзете ги со внатрешната клемата.



#### ■ Одвод

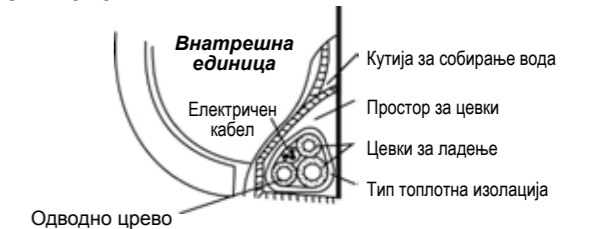
Одводната линија не смее да има пречка по должина, мора да оди надолу и мора да биде изолирана сè до надворешниот сид.



#### ■ Обложете ја цевката

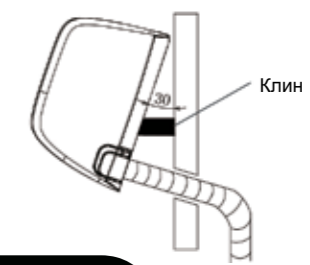
За правилна ориентација на цевките за ладење, електричните кабли и одводните линии, погледнете ја сликата подолу:

- Поставете го одводното црево под цевките за ладење.
- Уверете се дека одводното црево не е извлечено или извиткано.



#### ■ Закачете ја внатрешната единица

1. Спроведете ги линиите за ладење низ дупката во сидот.
2. Закачете ја внатрешната единица на горната кука на монтажната плоча, а потоа притиснете го долниот дел од внатрешната единица кон сидот до пониската кука.
3. Поместете ја внатрешна единица лево - десно, нагоре и надолу за да проверите дали е безбедно закачена.



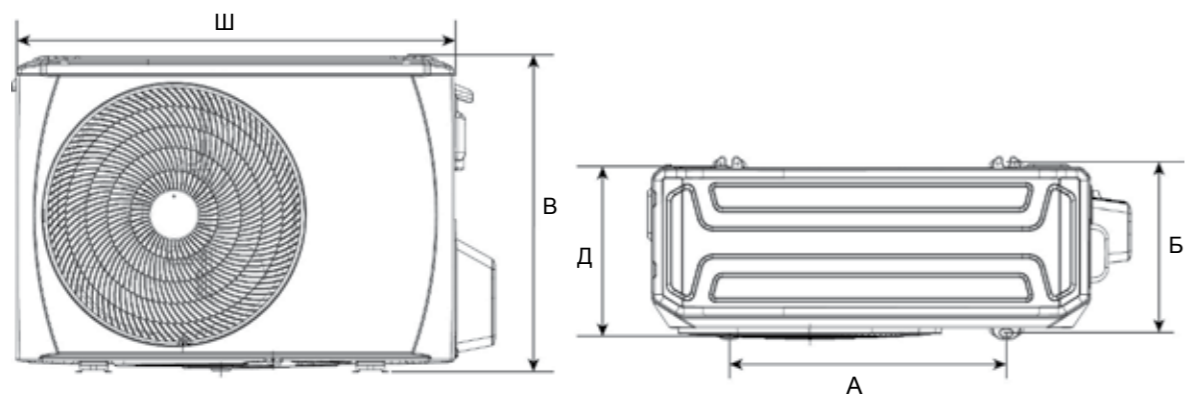
#### ⚠ ПРЕТПАЗЛИВОСТ

■ Приклучните делови на сврзната цевка мораат да бидат поставени надвор од просторијата.

### 3. МОНТИРАЊЕ НА НАДВОРЕШНАТА ЕДИНИЦА

#### 3.1 МОНТАЖНИ ДИМЕНЗИИ НА НАДВОРЕШНАТА ЕДИНИЦА

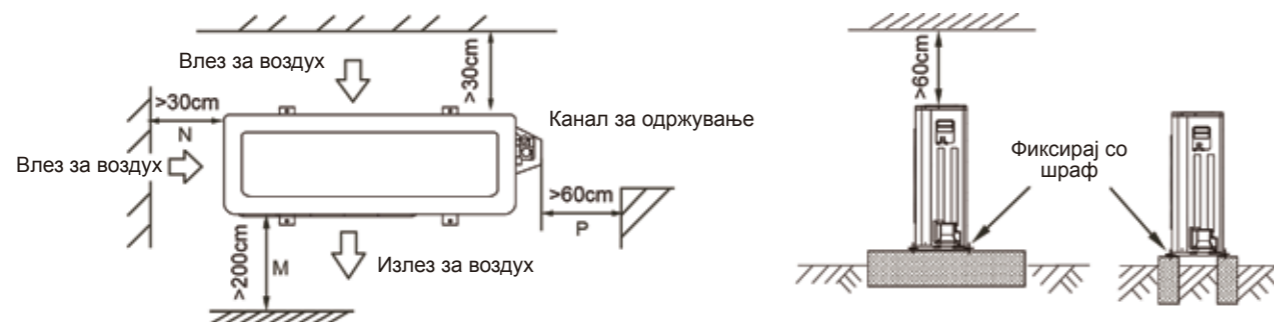
Монтажните димензии се разликуваат од една до друга надворешна единица. Дијаметарот на главата на завртката треба да биде поголем од 12 мм.



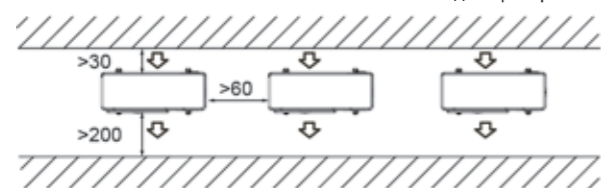
Димензии на надворешната единица (мм)			Монтажни димензии (мм)		
Надворешна единица	Ш	В	Д	А	Б
38QHP09E8S-1 38QHP12E8S-1	805	554	330	511	317

#### 3.2 ПОТРЕБЕН ПРОСТОР ЗА НАДВОРЕШНАТА ЕДИНИЦА

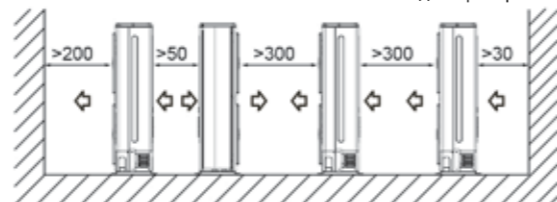
Монтирање на поединечна единица  
(Сид или пречка)



Паралелно поврзување на две или повеќе единици  
единица мерка: см



Паралелно поврзување на предните со задните страни.  
единица мерка: см



#### ⚠ ПРЕТПАЗЛИВОСТ

- Во областите со снежни врнежи и ниски температури, избегнувајте монтирање на надворешната единица на места каде што може да ја покрие снег. Ако се очекуваат обилни врнежи од снег, треба да се монтираат посебно набавени ногалки за мраз или снег и/или штитник за ветер за да се заштити уредот од акумулација на снег и/или блокирање на влезот за воздух.

### 3. МОНТИРАЊЕ НА НАДВОРЕШНАТА ЕДИНИЦА



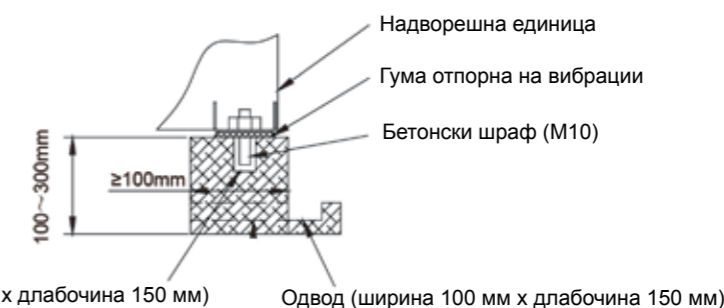
#### 3.3 ПОВРЗУВАЊЕ НА НАДВОРЕШНАТА ЖИЦА

- Отстранете го капакот за електрика и стегата за кабелот олабавувајќи ги завртките.
- Поврзете ги жиците на надворешната клемма по истиот редослед како на внатрешната единица.



#### 3.4 МОНТИРАЊЕ НА НАДВОРЕШНАТА ЕДИНИЦА

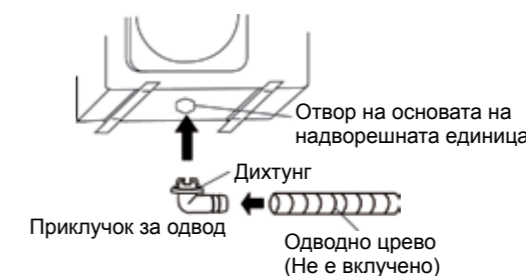
- Пред монтирањето, проверете дали основата е доволно цврста и дали е порамнета за да не се создава необичен звук.
- Цврсто фиксирајте ја основата со бетонски шrafoви (M10) за да ја спречите да не падне.
- Монтирајте ги основата и гумите отпорни на вибрации за директна поддршка на долната површина на фиксираната ногалка којашто е во контакт со долната плоча на надворешната единица.



Дупка во малтерот (Ø100 мм x длабочина 150 мм) Одвод (ширина 100 мм x длабочина 150 мм)

#### 3.5 МОНТИРАЊЕ НА ОДВОДНАТА ЦЕВКА ЗА НАДВОРЕШНАТА ЕДИНИЦА

- Поврзете го приклучокот за одвод со продолжително црево за одводнување
- Наместете го дихтунгот на приклучокот за одвод.
- Вметнете го приклучокот за одвод во отворот на основата на надворешната единица и свртете го за 90 степени за да ги составите безбедно.



## 4. МЕСТЕЊЕ НА ЦЕВКИТЕ ЗА ЛАДЕЊЕ

### ⚠ ПРЕТПАЗЛИВОСТ

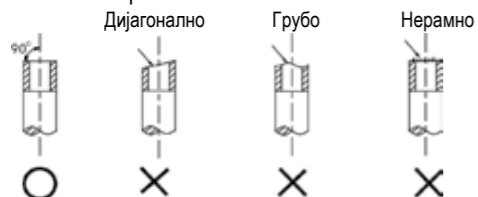
- Проверете дали разликата во висина помеѓу внатрешната единица и надворешната единица и вкупната должина на цевката за ладење ги исполнуваат барањата на системот.
- Местењето на цевките за ладење следи по монтажата на внатрешната и надворешната единица, прво поврзете ја цевката од внатрешната страна, а потоа од надворешната страна.
- Краевите на цевките секогаш нека бидат затворени; ставете им капаче или залепете ги со селотејп за време на монтирањето и НЕ отворајте ги пред да поврзувањето на цевките.
- Не заборавајте да ја изолирате секоја теренска цевка по целата должина до нејзиното поврзување со уредот. Секоја изложена цевка може да предизвика кондензација или изгореници ако се допре.
- Кога надворешната единица е на горната позиција, а разликата во нивото е поголема од 10 м, се препорачува поставување крива за враќање на маслото на секои 5~8 м во цевката за гас. Радиусот на кривата за враќање на маслото треба да биде поголем од 10 см.

### 4.1 ПРОШИРУВАЊЕ

#### ЗАБЕЛЕШКА

- Алати што се потребни за проширување се сечач за цевки, развртувач, алат за проширување и држач за цевки.
- За моделите со R32 средство за ладење, точките за приклучок на цевките мораат да бидат поставени надвор од просторијата.

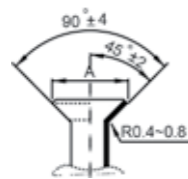
- 4.1.1 Со помош на сечачот за цевки, исечете ја цевката до саканата должина. Погрижете се пресечениот раб да формира прав агол со страната на цевката.



- 4.1.2 Користете развртувач за да ги отстраните нерамнините со површината за сечење свртена надолу за да не влегуваат деланки во цевката.

- 4.1.3 Проширувањето извршете го со употреба на алатките за проширување прикажани подолу.

Надворешен дијаметар	A (мм)	
	Максимум	Минимум
Ø6,35 мм	8,7	8,3
Ø9,52 мм	12,4	12,0
Ø12,7 мм	15,8	15,4
Ø15,88 мм	19,0	18,6
Ø19,05 мм	23,3	22,9



- 4.1.4 Проверете дали проширувањето е правилно извршено. Видете го примерот на погрешно проширени цевки подолу.



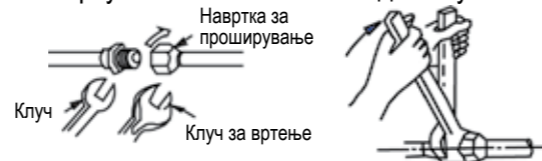
Закосена Оштетена површина Напукната Неоднаква дебелина

### ⚠ ПРЕТПАЗЛИВОСТ

- Во случај на потреба од лемење, користете азотен гас.
- Несоодветен вртежен момент ќе предизвика штета од одблесокот или протекување гас.

### 4.2 МЕСТЕЊЕ ЦЕВКИ

- 4.2.1 Порамнете го центарот за да ја стегнете навртката за проширување и завршете го поврзувањето со помош на два клуча.



Големина на цевка	Вртежен момент
Ø6,35 мм	18 ~ 20 N.m
Ø9,52 мм	25 ~ 26 N.m
Ø12,7 мм	35 ~ 36 N.m
Ø15,88 мм	45 ~ 47 N.m
Ø19,05 мм	65 ~ 67 N.m

- 4.2.2 Одберете го соодветниот материјал за изолација на цевката за ладење. (мин. 10 мм, пена за топлотна изолација C)

- Користете посебна топлотна изолација за цевките за гас и течност.
- Дебелината погоре е стандардна за внатрешна температура од 27°C и влажност од 80%. Ако монтирате во неповолни услови, како на пример, во близина на бањи, кујни и други слични локации, зајакнете ја изолацијата.
- Изолацијата треба да биде отпорна на топлина на температура повисока од 120°C.
- Залепете ги составните делови на изолација за да спречите навлегување влага.
- Поправете ги и покријте ги сите можни пукнатини на изолацијата, посебно проверете го свитканиот дел од цевката.

## 4. МЕСТЕЊЕ НА ЦЕВКИТЕ ЗА ЛАДЕЊЕ



### 4.3 ЦЕВКА ЗА ЛАДЕЊЕ

Забелешка: Средството за ладење треба да се наполни од сервисниот приклучок на вентилот со низок притисок на надворешната единица.

R32*	Минимална должина за да се намалат необичните вибрации и бучавата	Должина без полнење	Дополнително полнење по метар	
			Страна со течност: Ø6,35 мм	Страна со течност: Ø9,52 мм
	3 м	5 м	12 г	24 г

\* Користете алати за системот R32.

#### ЗАБЕЛЕШКА

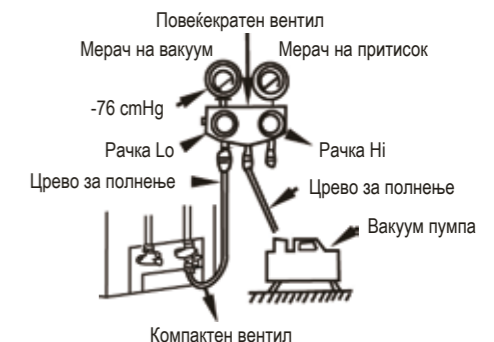
- Продолжената должина на цевката ќе влијае на капацитетот и енергетската ефикасност на единицата.
- Номиналната ефикасност е тестирана врз основа на должината на цевката од 5 метри.
- Кога должината на цевката е над 5 метри, треба да се додаде дополнително средство за ладење во зависност од должината на цевката.
- Максималната должина на цевката е препорачана подолу.

Модел	R32 Инвертер	
	Макс. должина на цевката (м)	Макс. разлика во висина (м)
9K/12K	25	10

\* Користете алати за системот R32.

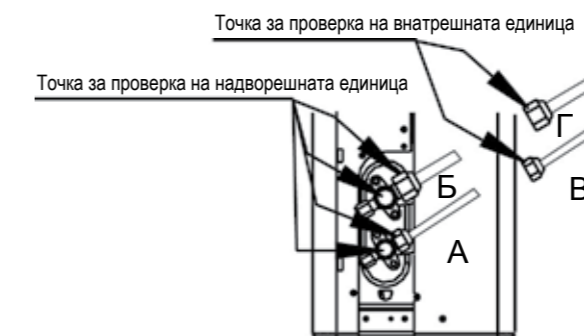
### 4.4 ИСПУШТАЊЕ НА ВОЗДУХОТ

- Поврзете го цревето за полнење од повеќекратниот мерач со сервисниот приклучок на компактниот вентил за гас.
- Поврзете го цревето за полнење на излезот на вакуум пумпата.
- Целосно отворете ја рачката Lo на повеќекратниот мерач.
- Вклучете ја вакуум пумпата за испуштање на воздухот од системот до 76cmHg.
- Затворете ја рачката Lo на повеќекратниот мерач.
- Целосно отворете ги компактните вентили.
- Извадете го цревето за полнење од сервисниот приклучок.
- Цврсто стегнете ги капачињата на компактниот вентил.



### 4.5 ТЕСТ ЗА ПРОТЕКУВАЊЕ

Откако ќе завршите со местењето на цевките, проверете ги споените делови на секоја од цевките за ладење за да се уверите дека нема протекување гас со нанесување сапуница или со употреба на посебен детектор за протекување на HFC средства за ладење. Погледнете ја сликата подолу за илустрација.



А: Вентил за стопирање низок притисок  
Б и Г: Навртки за проширување на внатрешната единица

Б: Вентил за стопирање висок притисок

## ⚠ ПРЕТПАЗЛИВОСТ

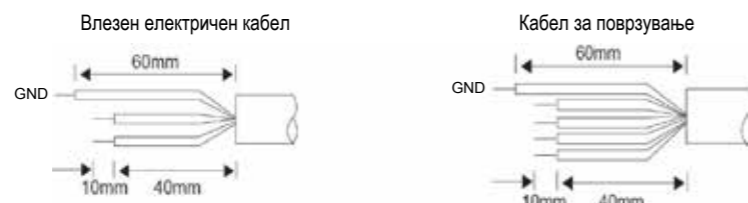
- Сите електрични поврзувања мора да се вршат од страна на квалификувани монтери и целата електрична инсталација мора да биде поврзана во согласност со дијаграмот за електрична инсталација.
- Извршете заземјување пред сите други електрични поврзувања.
- Сите извори на енергија мора да бидат исклучени пред вршењето електрични работи, а струјата не треба да се вклучува пред да се уверите дека сите електрични инсталации се проверени за безбедност.
- Мора да се инсталира главен прекинувач и прекинувач на струјното коло или осигурувач, со капацитетот од 1,5 пати над максималната струја во колото.
- Мора да биде достапно посебно струјно коло и еден штекер што ќе се користи само за овој уред.
- Пресекот на жицата зависи од номиналната вредност на струјата и националните, државните и локалните норми за електрично поврзување. Погледнете ги локалните норми за градба и националниот електричен кодекс за посебни барања.
- Ако кабелот за напојување е оштетен, тој мора да биде заменет од страна на производителот, овластениот сервисер или лице со слична квалификација за да се избегне опасност.
- Уредот мора да биде поврзан со главното напојување со помош на прекинувач на струјното коло или со прекинувач со раздвоен контакт од најмалку 3 мм во сите полови. Се препорачува монтажа на заштитен уред за диференцијална струја (RCD), кој има номинален остаток од оперативната струја што не надминува 30mA.
- Овој уред вклучува заземјување само за функционална намена.

## ■ Номинална струја на секој модел

Модел	Номинална струја (А)	Класа на осигурувачи (А)	Влезен електричен кабел (со мин. пресек)	Кабел за поврзување (со мин. пресек)
38QHP09E8S-1	13,0	20	3*1,5 mm <sup>2</sup>	5*1,5 mm <sup>2</sup>
38QHP12E8S-1	13,0	20	3*1,5 mm <sup>2</sup>	5*1,5 mm <sup>2</sup>

## НАПОМЕНА:

1. Големината на сите електрични жици мора да биде во согласност со националните, државните и локалните норми за електрично поврзување. Погледнете ги локалните норми за градба и националниот електричен кодекс за посебни барања.
2. Надворешниот кабел за напојување и кабелот за меѓусебно поврзување треба да бидат од типот H07RN-F.
3. Номиналната струја на апаратот е означена на плочката со името.
4. Спецификацијата на осигурувачот на надворешната единица е T20A / 250VAC (важи само за единиците со R32 средство за ладење) Забелешка: Осигурувачот е изработен од керамика.

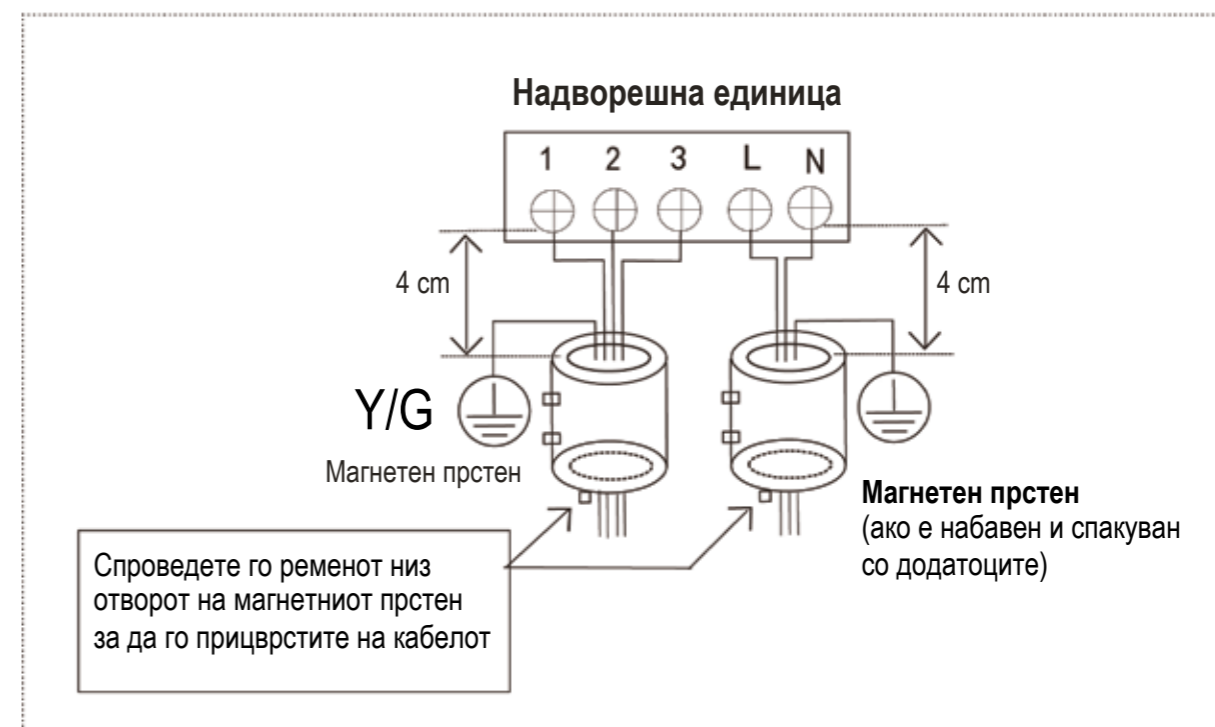
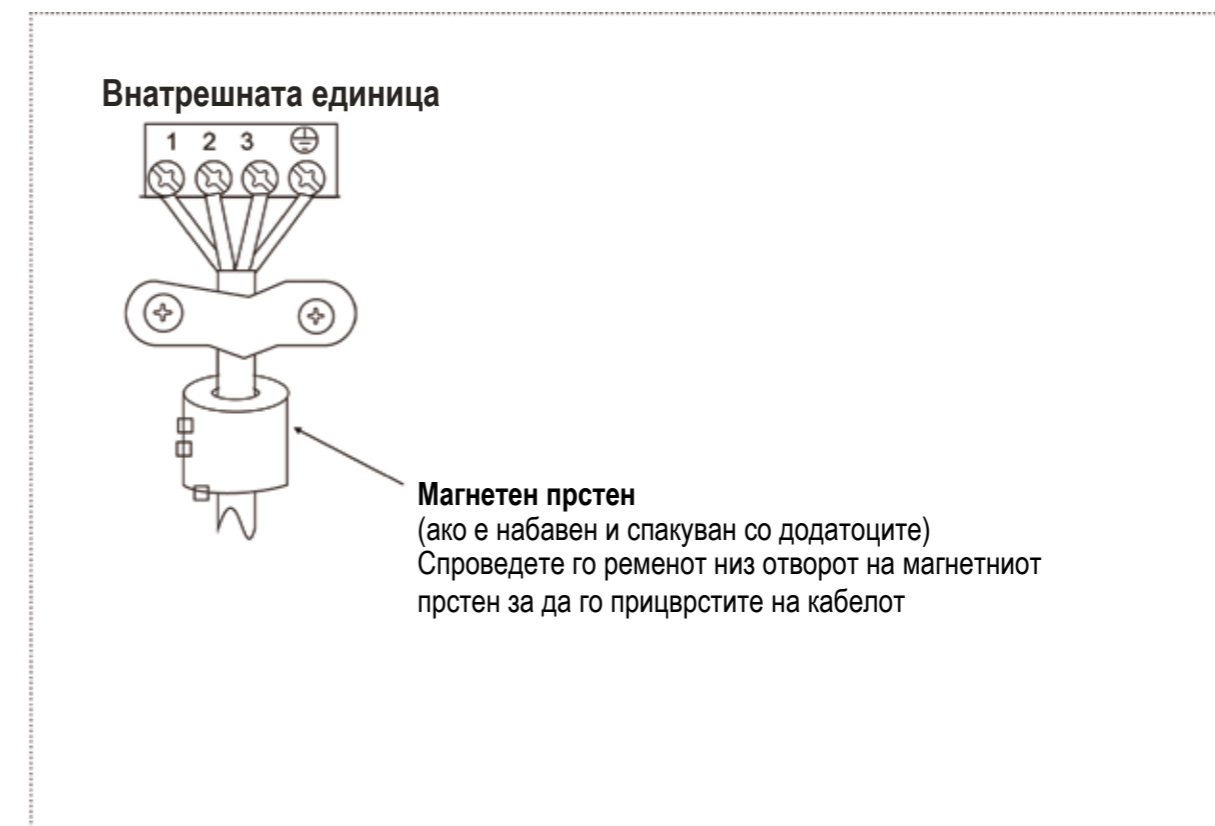


## ■ Дијаграм за поврзување

Модел	Внатрешна единица	Надворешна единица
QHP09 QHP12		
	Кон надвор	Влез на напојувањето Кон внатре

## ■ Монтажа на магнетен прстен

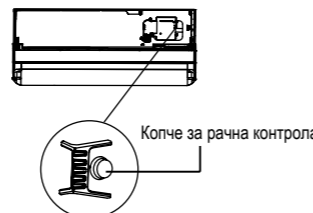
Забелешка: клемата може да се разликува кај различни модели.



### 6.1 СПИСОК ЗА ПОСЛЕДНА ПРОВЕРКА

За да ја завршите монтажа, извршете ги следниве проверки пред пробното работење.

- Јачината на местото за монтажа и за внатрешната и за надворешната единица, потврдете дека нема пречка на влезот и излезот за воздух на единицата.
- Цврстината на поврзувањето на цевките за ладење и да потврдете дека нема протекување
- Електричните поврзувања се правилно извршени и уредот е поврзан со заземјување
- Проверете ја вкупната должина на цевките и запишете ја количината на дополнетото средство за ладење
- Напојувањето со електрична енергија треба да биде во согласност со номиналниот напон на клима уредот
- Изолација на цевката
- Одвод



### 6.2 РАЧНО РАБОТЕЊЕ

До рачното работење може да се пристапи со притискање на копчето за рачна работа

Притиснете го копчето за рачно работење неколку пати за да ги промените режимите на следниот начин:

- Еднаш = AUTO режим [греење, ладење или вентилатор 24°C и автоматска брзина на вентилаторот.
- Двалати = COOLING режим [се префрла во AUTO режим по 30 минути (главно се користи при пробно работење)].
- Трипати = OFF

### 6.3 ПРОБНО РАБОТЕЊЕ

Поставете ја климатизацијата во режим COOLING со далечинскиот управувач (или рачното копче) и проверете го статусот на работење и на внатрешната единица и на надворешната единица. Во случај на дефект, решете го во согласност со поглавјето „Решавање проблеми“ од „Прирачникот за сервисирање“.

#### Внатрешна единица

- Дали копчињата на далечинскиот управувач (како што се ON/OFF, MODE, TEMPERATURE, FAN SPEED итн.) работат добро.
- Дали перката се движи нормално.
- Дали собната температура е добро приспособена.
- Дали светлата за известување на екранот на панелот се нормални.
- Дали копчето „рачно“ работи добро.
- Дали одводнувањето е нормално.
- Дали има вибрации или необичен звук за време на работењето.
- Дали внатрешната единица работи добро во режимите на ЛАДЕЊЕ или ГРЕЕЊЕ.

#### Надворешна единица

- Дали има вибрации или необичен звук за време на работењето.
- Дали ветерот, бучавата или кондензацијата што ги произведува клима уредот го вознемируваат вашето соседство.
- Дали има некакво протекување на средството за ладење.

#### ⚠ ПРЕТПАЗЛИВОСТ

- Кога повторно ќе ја вклучите единицата, ќе има околу 3 минути задоцнување додека да се вклучи компресорот за заштита.

### 7.1 ПРОВЕРКИ НА ПОДРАЧЈЕТО

Пред започнувањето со работа врз системите што содржат запаливи средства за ладење, безбедносните проверки се неопходни за да се уверите дека ризикот од палење е минимален. За поправка на системот за ладење, следниве мерки за претпазливост треба да се исполнат пред вршење работи врз системот.

### 7.2 РАБОТНА ПОСТАПКА

Работите ќе се извршуваат според контролирана постапка за да се намали ризикот од присуството на запалив гас или параа додека се одвива работата.

### 7.3 ОПШТО РАБОТНО ПОДРАЧЈЕ

Целиот персонал за одржување и другите кои работат во локалното подрачје треба да се информираат за природата на работите што се спроведуваат и да се избегнува работа во затворен простор.

Подрачјето околу работниот простор ќе биде одделено. Уверете се дека условите во подрачјето се безбедни преку контрола на запаливите материјали.

### 7.4 ПРОВЕРКА ЗА ПРИСУСТВО НА СРЕДСТВО ЗА ЛАДЕЊЕ

Подрачјето треба да се провери со соодветен детектор на средство за ладење пред и за време на работата, за да се уверите дека техничарот е свесен за потенцијално запаливите атмосфери. Уверете се дека опремата за детекција на протекување што се користи е соодветна за употреба со запаливи средства за ладење, т.е. без искри, соодветно запечатена или дека има внатрешна заштита.

### 7.5 ПРИСУСТВО НА ПРОТИВПОЖАРЕН АПАРАТ

Ако врз опремата за ладење или врз нејзините делови спроведувате топлинска обработка, при рака треба да имате соодветна опрема за противпожарна заштита. Имајте противпожарен апарат со сув прашок или CO<sub>2</sub> во непосредна близина на подрачјето за полнење.

### 7.6 БЕЗ ИЗВОРИ НА ПАЛЕЊЕ

Ниедно лице кое врши работи поврзани со системот за ладење, вклучувајќи откривање на цевките што содржат или содржеле запаливо средство за ладење, нема да користи извори на палење на таков начин што може да доведе до ризик од пожар или експлозија. Сите можни извори на палење, вклучувајќи ги и цигарите, треба да се држат на доволно растојание од локацијата за монтажа, поправка, отстранување или фрлање во отпад, затоа што запаливото средство за ладење може да се ослободи во околниот простор. Пред почетокот со работата, прегледајте го подрачјето околу опремата за да се уверите дека не постои опасност од запалување или ризик од палење. Истакнете знаци за „ЗАБРАНЕТО ПУШЕЊЕ“.

### 7.7 ПОДРАЧЈЕ СО ВЕНТИЛАЦИЈА

Уверете се дека подрачјето е на отворено и дека има соодветна вентилација пред да влезете во системот или да спроведете топлинска обработка. Вентилацијата во намален обем ќе остане вклучена и при спроведувањето на работата. Вентилацијата треба безбедно да го растера ослободеното средство за ладење и по можност да го исфрли надвор во атмосферата.

### 7.8 ПРОВЕРКИ НА ОПРЕМАТА ЗА ЛАДЕЊЕ

Составните делови што се менуваат треба да одговараат на намената и да ја имаат правилната спецификација. Во секое време треба да се почитуваат насоките на производителот во врска со одржувањето и сервисирањето. Ако се сомневате, советувајте се со техничкиот оддел на производителот за помош. Следниве проверки ќе се применат врз инсталациите што користат запаливи средства за ладење:

- големината на полнењето е во согласност со големината на просторијата во којашто се монтирани деловите што содржат средство за ладење;
- машинеријата и отворите за вентилација работат соодветно и не се блокирани;
- ако се користи индиректно коло за вентилација, секундарното коло ќе се провери за присуство на средство на ладење; а ознаките на опремата и понатаму се видливи и читливи.
- ознаките и знаците што се неразбирливи ќе се поправат;
- цевката за ладење или составните делови се монтираат во позиција во којашто не е веројатно дека ќе бидат изложени на каква било супстанца што може да предизвика корозија на составните делови што го содржат средството за ладење, освен ако составните делови не се направени од материјали што се природно отпорни на корозија или се соодветно заштитени од неа.

### 7.9 ПРОВЕРКИ НА ЕЛЕКТРИЧНИТЕ УРЕДИ

Поправката и одржувањето на електричните составни делови треба да вклучува почетни безбедносни проверки и постапки за инспекција на составните делови. Доколку постои дефект што може да ја загрози безбедноста, тогаш колото нема да биде поврзано со електрично напојување додека истиот соодветно не се реши. Ако дефектот не може веднаш да се поправи, но е неопходно да се продолжи со работа, ќе се употреби соодветно привремено решение. Ова ќе се пријави кај сопственикот на опремата за сите страни да бидат известени.

#### Почетните безбедносни проверки треба да опфатат:

- дека кондензаторите се испразнети: ова треба да се направи на безбеден начин за да се избегне можноста од искрење
- дека електрични составни делови и жици под напон не се изложени при полнење, враќање или чистење на системот;
- дека има континуитет во заземјувањето.

### 7.10 ПОПРАВКИ НА ЗАПЕЧАТЕНИТЕ СОСТАВНИ ДЕЛОВИ

- 10.1 При поправки на запечатените составни делови, сето електрично напојување ќе се исклучи од опремата врз којашто се работи пред да се отстранат запечатените капацити и сл. Ако е апсолутно неопходно опремата да има електрично напојување при сервисирањето, тогаш форма за откривање на протекувањето што е во постојана употреба ќе се смести на најкритичната точка за да предупреди за можна опасна ситуација.
- 10.2 Особено внимание ќе се посвети на следново за да се обезбеди дека при работата врз електричните составни делови, куќиштето не е изменето на таков начин што има влијание врз нивото на заштита. Ова опфаќа оштетување на кабли, прекумерен број на поврзувања, терминали што не се направени според оригиналната спецификација, оштетување на тапите, неправилно вградување на приклучоците итн.
  - Уверете се дека апаратот е безбедно монтиран.
  - Уверете се дека тапите и материјалите за запечатување не се оштетени до таа мера што веќе не служат на намената за спречување на појавата на запаливи атмосфери. Резервните делови треба да се во согласност со спецификациите на производителот.

**ЗАБЕЛЕШКА:** Употребата на силикон може да ја намали ефикасноста на некои типови опрема за детекција на протекување. Составните делови со внатрешна заштита не мора да се изолираат пред работата врз нив.

### 7.11 ПОПРАВКИ НА СОСТАВНИТЕ ДЕЛОВИ СО ВНАТРЕШНА ЗАШТИТА

Не нанесувајте трајни индуктивни или капацитивни оптоварувања врз колото без да се уверите дека тоа нема да ги надмине дозволените напон и струја за опремата што се користи. Составните делови со внатрешна заштита се единствените типови врз кои може да се работи под напон и во присуство на запалива атмосфера. Апаратот за тестирање треба да биде со правилна јачина. Менувајте ги составните делови само со деловите одредени од производителот. Други делови може да предизвикаат палење на средството за ладење во атмосферата поради протекување.



### 7.12 КАБЛИ

Уверете се дека каблите нема да бидат изложени на оштетување, корозија, прекумерен притисок, вибрации, остри рабови и други негативни ефекти од околината. Проверката исто така треба да ги земе во предвид ефектите од стареењето или постојаното вибрирање од изворите како на пр., компресорите или вентилаторите.

### 7.13 ДЕТЕКЦИЈА НА ЗАПАЛИВИ СРЕДСТВА ЗА ЛАДЕЊЕ

Изворите за палење под никакви околности не смее да се користат за детекција на протекувања на средството за ладење. Не смее да се користи апарат за автогено заварување или кој било друг детектор што користи отворен пламен.

### 7.14 МЕТОДИ ЗА ДЕТЕКЦИЈА НА ПРОТЕКУВАЊЕ

Следниве методи за детекција на протекувањето се сметаат како прифатливи за системи што содржат запаливи средства за ладење.

Електронските детектори на протекување ќе се користат за откривање запаливи средства за ладење, но осетливоста можеби не е соодветна или можеби е потребна повторна калибрација. (Опремата за детекција се калибрира во простор без средства за ладење.) Уверете се дека детекторот не е можен извор на палење и дека е соодветен за средството за ладење. Опремата за детекција на протекување ќе се постави на процент од долната граница на запаливост на средството за ладење и ќе се калибрира со употребеното средство за да се потврди соодветниот процент на гас (максимум од 25%). Течностите за детекција на протекување се соодветни за употреба со повеќето средства за ладење, но употребата на детергенти што содржат хлор треба да се избегнува бидејќи хлорот може да реагира со средството за ладење и да ги кородира бакарните цевки. Ако се сомневате во протекување, отстранете ги или изгаснете ги сите отворени пламени. Ако е пронајдено протекување на средството за ладење за кое е потребно лемење, сето средство за ладење ќе се собере од системот или ќе се изолира (со вентилите за затворање) во дел од системот оддалечен од протекувањето. Азот без кислород ќе се спроведе низ системот пред и по лемењето.

### 7.15 ОТСТРАНУВАЊЕ И ИСПУШТАЊЕ

При влегувањето во колото за ладење за да извршите поправки или од некоја друга причина, користете ги конвенционалните постапки. Меѓутоа, важно е да се следи најдобрата практика, имајќи ја предвид запаливоста. Треба да се придржувате до следнава постапка:

- отстранете го средството за ладење;
- прочистете го колото со инертен гас;
- испуштете го;
- прочистете повторно со инертен гас;
- отворете го колото со сечење или лемење.

Наполнетото средство за ладење ќе се собере во правилните цилиндри за враќање. Системот ќе се прочисти со азот без кислород заради безбедност на единицата. Процесот можеби ќе треба да се повтори неколку пати.

За задачата нема да се користи компресиран воздух или кислород.

Прочистувањето се врши со прекинување на вакуумот во системот со азот без кислород и со продолжување на пополнувањето сè додека не се постигне работниот притисок, потоа испуштање во атмосферата и на крај постигнување вакуум. Процесот ќе се повторува сè додека има средство за ладење во системот.

Откако ќе се употреби последното полнење на азот без кислород, притисокот во системот ќе се намали до атмосферскиот притисок за да се овозможи започнување со работа. Операцијата е од особено значење доколку треба да се врши лемење на цевките. Уверете се дека излезот за вакуум пумпата не е во близина на извори на палење и дека има достапна вентилација.



### 7.16 ПОСТАПКИ ЗА ПОЛНЕЊЕ

Покрај конвенционалните постапки за полнење, треба да се следат и следниве барања:

- Уверете се дека не се случува загадувањето на различните средства за ладење при употребата на опремата за полнење. Цревата или линиите треба да бидат што е можно пократки за да се намали количеството на средство за ладење содржано во нив.
- Цилиндриите треба да се чуваат исправено.
- Уверете се дека системот за ладење е заземјен пред да го наполните со средство за ладење.
- Ставете етикета на системот кога ќе завршите со полнењето (ако нема од претходно).
- Посветете особено внимание да не го преполните системот за ладење.
- Пред повторното полнење на системот, извршете тестирање на притисокот со азот без кислород. Системот мора да се тестира за протекување по завршувањето со полнењето, но пред ставањето во употреба. Следен тест за протекување

### 7.17 ПОВЛЕКУВАЊЕ ОД УПОТРЕБА

Пред извршување на постапката, од суштинско значење е техничарот целосно да ја познава опремата и сите нејзини детали. Како добра практика се препорачува безбедно враќање на сите средства за ладење. Пред спроведувањето на задачата, се зема примерок од маслото и средството за ладење. Потребна е анализа на примерокот пред повторната употреба на вратеното средство за ладење. Пред почетокот на задачата, важно е да има достапно електрично напојување.

- a) Запознајте се со опремата и работењето.
- b) Изолирајте го системот електрично
- v) Пред да ја пробате постапката, уверете се дека:
  - на располагање имате механичка опрема за ракување; ако е потребно, за ракување со цилиндри за ладење;
  - на располагање е сета опрема за лична заштита и истата правилно се користи;
  - постапката за враќање цело време ја надгледува стручно лице;
  - опремата за враќање и цилиндриите се во согласност со соодветните стандарди.
- г) Испумпајте го системот за ладење, ако е можно.
- д) Ако вакуум не е можен, направете колектор за средството за ладење да може да се отстрани од различни делови од системот.
- ѓ) Проверете дали цилиндарот е сместен на вага пред да започнете со враќањето.
- е) Вклучете ја машината за враќање и ракувајте со неа во согласност со упатствата на производителот.
- ж) Не преполнувајте ги цилиндриите. (Не надминувајте 80% од волуменот со течно полнење).
- з) Не надминувајте го максималниот работен притисок на цилиндарот, дури и ако е привремено.
- с) Откако цилиндриите правилно ќе се наполнат и процесот ќе заврши, погрижете се цилиндриите и опремата навремено да се отстранат од локацијата, а сите вентили за изолација на опремата да се затворат.
- и) Вратеното средство за ладење нема да се полни во друг систем за ладење освен ако не е исчистено и проверено .

### 7.18 ЕТИКЕТИРАЊЕ

Опремата треба да има етикета на којашто е наведено дека е повлечена од употреба и дека средството за ладење е испразнето. Етикетата треба да има датум и потпис. Проверете дали има етикети на опремата на коишто е наведено дека опремата содржи запаливо средство за ладење.

### 7.19 ВРАЌАЊЕ

- При отстранување на средството за ладење од системот, дали за сервисирање или повлекување од употреба, се препорачува примена на безбедно отстранување на сите средства за ладење.
- При преносот на средството за ладење во цилиндриите, уверете се дека се користат соодветните цилиндри за враќање. Уверете се дека на располагање го имате точниот број цилиндри потребни за да се собере целото полнење на системот. Сите цилиндри што се користат се наменети за вратеното средство за ладење и се етикетираны за тоа средство (т.е. специјални цилиндри за враќање на средството за ладење). Вентилите за ослободување на притисокот и поврзаните вентили за затворање на цилиндриите се во добра работна состојба.
- Од празните цилиндри за враќање се испушта воздухот и, доколку е можно, истите се ладат пред враќањето.
- Опремата за враќање треба да е во добра работна состојба со збир на упатства во врска со опремата при рака и треба да е соодветна за враќање запаливи средства за ладење. Исто така, на располагање треба да имате и неколку калибрирани ваги во добра работна состојба.
- Цревата треба да се во добра состојба и да нема протекување кај приклучоците за исклучување. Пред употребата на машината за враќање, проверете дали таа е во добра работна состојба, дали е правилно одржувана и дали сите поврзани електрични составни делови се запечатени за да се спречи палење во случај на ослободување на средството за ладење. Ако се сомневате, советувајте се со производителот.
- Собраното средство за ладење ќе се врати кај набавувачот во правилниот цилиндар за враќање и со соодветна „Забелешка за пренос на отпад“. Не мешајте средства за ладење во единиците за враќање, а особено не во цилиндриите.
- Ако се отстрануваат компресорите или маслото од компресорите, уверете се дека воздухот е испуштен до прифатливо ниво за да бидете сигурни дека запаливо средство за ладење не останало во лубрикантот. Процесот на испуштање ќе се изврши пред враќањето на компресорот на набавувачот. На телото на компресорот ќе се употреби електрично затоплување за да се забрза процесот. Испуштањето на маслото од системот треба да се изврши внимателно.

### 7.20 ТРАНСПОРТ, ОЗНАЧУВАЊЕ И СКЛАДИРАЊЕ НА ЕДИНИЦИТЕ

1. Транспортот на опремата што содржи запаливи средства за ладење  
Во согласност со регулативите за транспорт
2. Означување на опремата со помош на знаци  
Во согласност со локалните регулативи
3. Фрлање во отпад на опремата што содржи запаливи средства за ладење  
Во согласност со националните регулативи
4. Складирање на опремата/апаратите  
Складирањето на опремата треба да биде во согласност со упатствата на производителот.
5. Складирање на спакувана (непродадена) опрема  
Со заштитата на пакувањето при складирање треба да се обезбеди дека доколку дојде до механичкото оштетување на опремата во пакувањето, тоа нема да предизвика протекување на наполнетото средство за ладење.  
Максималниот број парчиња од опремата што е дозволено да се складираат заедно ќе биде утврден со локалните регулативи.

Acest produs a fost determinat a fi în conformitate cu Directiva privind tensiunea joasă (2014/35/UE) și cu Directiva privind compatibilitatea electromagnetică (2014/30/UE) a Uniunii Europene.



## Eliminarea corectă a acestui produs (deșeurile de echipamente electrice și electronice)

(Dacă acest aparat de aer condiționat este utilizat în țările europene, trebuie respectate următoarele instrucțiuni)

– Acest marcaj înscris pe produs sau în manualul aferent indică faptul că se interzice amestecarea deșeurilor de echipamente electrice și electronice (DEEE, astfel cum sunt descrise în Directiva 2012/19/CE) cu deșeurile menajere generale. Este interzisă eliminarea acestui aparat împreună cu deșeurile menajere generale. Există mai multe posibilități pentru eliminare:

1. Autoritățile municipale au înființat sisteme de colectare, în care pot fi eliminate deșeurile electronice fără costuri pentru utilizator.
2. La cumpărarea unui produs nou, vânzătorul preia produsul vechi cel puțin fără costuri pentru utilizator.
3. Producătorul preia aparatul vechi pentru a-l elimina cel puțin fără costuri pentru utilizator.
4. Întrucât produsele vechi conțin resurse valoroase, acestea pot fi vândute comercianților de deșeurile metalice. Eliminarea deșeurilor în păduri sau în natură vă pune în pericol sănătatea, întrucât substanțele periculoase ajung în pânza de apă freatică și în lanțul alimentar.

Acest produs conține gaze fluorurate care se supun Protocolului de la Kyoto

Denumirea chimică a gazului	R32
Potențialul de încălzire globală (GWP) al gazului	675

### ATENȚIE

1. Lipiți eticheta atașată privind agentul frigorific în dreptul locației de încărcare și/sau de recuperare.
2. Scrieți clar cantitatea de agent frigorific încărcată pe eticheta agentului frigorific cu cerneală permanentă.
3. Evitați emisiile de gaze fluorurate. Asigurați-vă că gazul fluorurat nu este ventilat în atmosferă în timpul instalării, reparării sau eliminării. În cazul detectării unei scurgeri de gaze fluorurate, scurgerea trebuie oprită și remediată cât mai curând posibil.
4. Doar personalul calificat responsabil cu reparațiile poate accesa și repara acest produs.
5. Orice manipulare a gazului fluorurat din acest produs, precum mutarea produsului sau reîncărcarea gazului, trebuie să respecte Regulamentul (CE) nr. 517/2014 privind anumite gaze fluorurate cu efect de seră și orice reglementare locală relevantă.
6. Dacă sistemul are instalat un sistem de detectare a scurgerilor, acesta trebuie verificat pentru scurgeri cel puțin o dată la fiecare 12 luni.
7. Atunci când unitatea este verificată pentru a nu prezenta scurgeri, se recomandă păstrarea evidențelor adecvate ale tuturor verificărilor.

Unitate interioară	Unitate exterioară	Tensiune nominală și Hz
42QHP09E8S-1	38QHP09E8S-1	220-240V~, 50Hz
42QHP12E8S-1	38QHP12E8S-1	

Producătorul își rezervă dreptul de a modifica orice specificație a produsului fără notificare prealabilă.

## CUPRINS

<b>1. PREGĂTIREA PENTRU INSTALARE</b> .....	<b>3</b>
1.1 Măsurile de siguranță .....	3
1.2 Accesorii .....	5
1.3 Selectarea locului pentru instalare .....	6
<b>2. INSTALAREA UNITĂȚII INTERIOARE</b> .....	<b>7</b>
2.1 Placa portantă a unității interioare .....	7
2.2 Procesul de instalare .....	8
<b>3. INSTALAREA UNITĂȚII EXTERIOARE</b> .....	<b>9</b>
3.1 Dimensiuni de montaj pentru unitatea exterioară .....	9
3.2 Spațiu necesar pentru unitatea exterioară .....	9
3.3 Racordarea unității exterioare cu cabluri .....	10
3.4 Instalarea unității exterioare .....	10
3.5 Instalarea țevii de racordare .....	10
<b>4. LUCRĂRILE DE TUBULATURĂ PENTRU AGENT FRIGORIFIC</b> .....	<b>11</b>
4.1 Evazare .....	11
4.2 Lucrări de tubulatură .....	11
4.3 Conducta pentru agent frigorific .....	12
4.4 Evacuarea aerului .....	12
4.5 Testul de etanșeitate .....	12
<b>5. CABLAJE</b> .....	<b>13</b>
<b>6. VERIFICAREA FINALĂ ȘI TESTAREA</b> .....	<b>14</b>
6.1 Lista de verificare finală .....	14
6.2 Operarea manuală .....	14
6.3 Testarea .....	14
<b>7. INFORMAȚII PENTRU SERVICE</b> .....	<b>15</b>



Atenție: Pericol de incendiu numai pentru agentul frigorific R32/R290

## 1.1 MĂSURI DE SIGURANȚĂ

- Instalarea, punerea în funcțiune și repararea aparatului de aer condiționat pot fi periculoase din cauza presiunilor din interiorul sistemului, a componentelor electrice și a locației echipamentului (acoperișuri, structuri ridicate, etc.).
- Doar instalatorii instruiți și calificați și mecanicii responsabili cu reparațiile trebuie să instaleze, să pună în funcțiune și să repare acest echipament.
- Atunci când sunt efectuate lucrări la echipament, respectați măsurile de siguranță din manual și de pe plăcuțele, autocolantele și etichetele aplicate pe echipament.
- Respectați toate codurile de siguranță. Purtați ochelari de protecție și mănuși de lucru. Țineți camera de stingere a arcului electric și stingătorul în apropiere pe parcursul operațiunilor de lipire. Acționați cu atenție în momentul manipulării, ancorării și fixării echipamentelor voluminoase.
- Citiți aceste instrucțiuni cu atenție și respectați toate avertismentele sau atenționările incluse în manualul furnizat împreună cu unitatea. Consultați codurile de construcție locale și Codul electric național pentru cerințe speciale.

### ! AVERTISMENT

Acest simbol indică posibilitatea de vătămare corporală sau de deces.

- **Agentul frigorific este mai greu decât aerul și înlocuiește oxigenul. O scurgere masivă ar putea conduce la epuizarea oxigenului, în special în subsoluri, iar pericolul de asfixiere ar putea apărea, provocând vătămare gravă sau deces.**
- **Atunci când aparatul de aer condiționat este instalat într-o cameră mică, luați măsuri corespunzătoare pentru a păstra concentrația de agent frigorific, în cazul unor scurgeri, sub nivelul critic.**
- **Dacă agentul frigorific curge în timpul instalării, aerisiți imediat zona.**  
Agentul frigorific poate produce un gaz toxic dacă intră în contact cu focul provenit de la un calorifer, aragaz sau aparat de gătit. Expunerea la acest gaz poate provoca vătămarea gravă sau decesul.
- **Deconectați aparatul de la sursa de alimentare înainte de a efectua vreo lucrare electrică. Conectați corect cablul de conectare.**  
Conectarea incorectă poate conduce la deteriorarea pieselor electrice.
- **Utilizați cablurile specificate pentru conexiunile electrice și prindeți cablurile bine pe placa de borne care conectează secțiunile, astfel încât să nu se exercite nicio forță externă asupra bornelor.**
- **Aparatul de aer condiționat trebuie împământat.**  
Nu conectați firul de împământare la țevile de gaz sau apă, la un paratrăsnet sau la un fir telefonic.  
O împământare incompletă poate conduce la electrocutare gravă rezultând în vătămare corporală sau deces.
- **Eliminați materialele pentru ambalaje în condiții de siguranță.**  
Materialele pentru ambalaje, precum cuiele și alte piese din metal sau din lemn pot provoca plăgi înțepate sau alte leziuni. Rupeți și aruncați pungile din plastic pentru ambalare, astfel încât copiii să nu se joace cu acestea. Copiii care se joacă cu pungi din plastic sunt expuși riscului de sufocare.
- **Nu instalați unitatea în apropierea concentrațiilor de gaz combustibil sau de vapori de gaz.**
- **Asigurați-vă că utilizați piesele de instalare furnizate sau special specificate.**  
Utilizarea altor piese poate conduce la desprinderea aparatului, la scurgerea apei, la șocuri electrice, la incendiu sau la deteriorarea echipamentului.
- **În momentul instalării sau relocării sistemului, nu permiteți intrarea aerului sau a unor substanțe altele decât agentul frigorific specificat (R410A) în circuitul frigorific.**
- **Nu modificați niciodată aparatul prin îndepărtarea dispozitivelor de protecție sau prin ignorarea oricăror comutatoare de blocare de siguranță.**
- **Lucrările electrice trebuie efectuate în conformitate cu manualul de instalare și codurile naționale, de stat și locale ale cablajului electric.**

### ! AVERTISMENT

- **Un circuit de alimentare dedicat trebuie utilizat. Nu utilizați niciodată aceeași priză pentru alte aparate.**
- **Pentru a evita orice pericol cauzat de resetarea accidentală a declanșatorului termic, se interzice alimentarea acestui aparat prin intermediul unui dispozitiv de comutare extern, precum un temporizator sau conectarea acestuia la un circuit care este pornit și oprit în mod regulat de către furnizor.**
- **Utilizați cablurile prescrise pentru conexiunile electrice cu manșoane de izolare de protecție cu un gradient de temperatură corespunzător.**  
Cablurile necorespunzătoare pot cauza pierderi de curent electric, producerea anormală de căldură sau incendiu.
- **Nu utilizați mijloace de accelerare a procesului de dezghețare sau de curățare, altele decât cele recomandate de producător.**
- **Aparatul va fi păstrat într-o cameră fără surse de aprindere cu funcționare continuă (de exemplu: flăcări deschise și aparat care funcționează pe bază de gaz sau un radiator electric în funcțiune)**
- **A nu se perfora sau arde.**
- **Aveți grijă ca agenții frigorifici să nu prezinte un miros.**
- **Aparatul va fi păstrat într-o zonă bine ventilată unde dimensiunea camerei este corespunzătoare dimensiunii de cameră pentru funcționare.**
- **Pentru modelele cu agent frigorific R32:**  
Aparatul va fi instalat, utilizat și păstrat într-o zonă mai mare de 4 m<sup>2</sup>.  
Aparatul nu va fi instalat în spații neventilate, dacă spațiul respectiv este mai mic de 4 m<sup>2</sup>.
- **Pentru modelele cu agent frigorific R290, dimensiunea minimă necesară a camerei:**  
≤9000Btu/h unități: 13 m<sup>2</sup>  
>9000Btu/h și ≤12000Btu/h unități: 17 m<sup>2</sup>  
>12000Btu/h și ≤18000Btu/h unități: 26 m<sup>2</sup>  
>18000Btu/h și ≤24000Btu/h unități: 35 m<sup>2</sup>

### ! ATENȚIE

Acest simbol indică posibilitatea de deteriorare a echipamentului sau producere a unor consecințe grave.

- **Pentru a evita vătămarea corporală, manipulați cu atenție piesele cu muchii ascuțite.**
- **Nu instalați unitățile interioare sau exterioare într-o locație cu condiții de mediu speciale.**
- **Nu instalați aparatul într-un loc care poate amplifica nivelul de zgomot al acestuia sau în locurile în care zgomotul și aerul evacuat ar putea deranja vecinii.**
- **Efectuați lucrările pentru sistemul de evacuare/tubulatură în siguranță, în conformitate cu manualul de instalare.**  
Tubulatura de evacuare neadecvată poate cauza curgerea apei și deteriorarea bunurilor.
- **Nu instalați aparatul de aer condiționat în următoarele locuri:**
  - Unde există uleiuri minerale sau acid arsenic.
  - Unde există gaz caustic (de exemplu, compuși sulfurici) sau gaze inflamabile (de exemplu, diluanți) sau unde se manipulează substanțe inflamabile.
  - Unde există echipamente care generează câmpuri electromagnetice sau armonici de înaltă frecvență.
- **Aparatul trebuie depozitat astfel încât să se evite deteriorările mecanice.**
- **Orice persoană implicată în lucrări efectuate asupra sau în accesarea unui circuit de agent frigorific trebuie să aibă un certificat corespunzător valabil de la o autoritate de evaluare acreditată din industria care îi certifică competențele legate de gestionarea în siguranță a agenților frigorifici, în conformitate cu o specificație de evaluare recunoscută în industrie.**

## 1.2 ACCESORII

Următoarele accesorii sunt furnizate împreună cu unitatea. Tipul și cantitatea pot varia în funcție de specificații.

Denumire accesoriu	Cant. (buc.)	Formă	Denumire accesoriu	Cant. (buc.)	Formă
Manual	3		Telecomandă	1	
Orificiu de evacuare	1		Baterie	2	
Garnitură	1		Suport telecomandă	1	
Placă de instalare	1		Șurub B	2	
Bulon de ancoraj	5		Filtru mic	1	
Șurub A	5		Inel magnetic (Unele unități)	N*	

\* înseamnă în conformitate cu cantitatea reală

## 1.3 SELECTAREA LOCULUI PENTRU INSTALARE

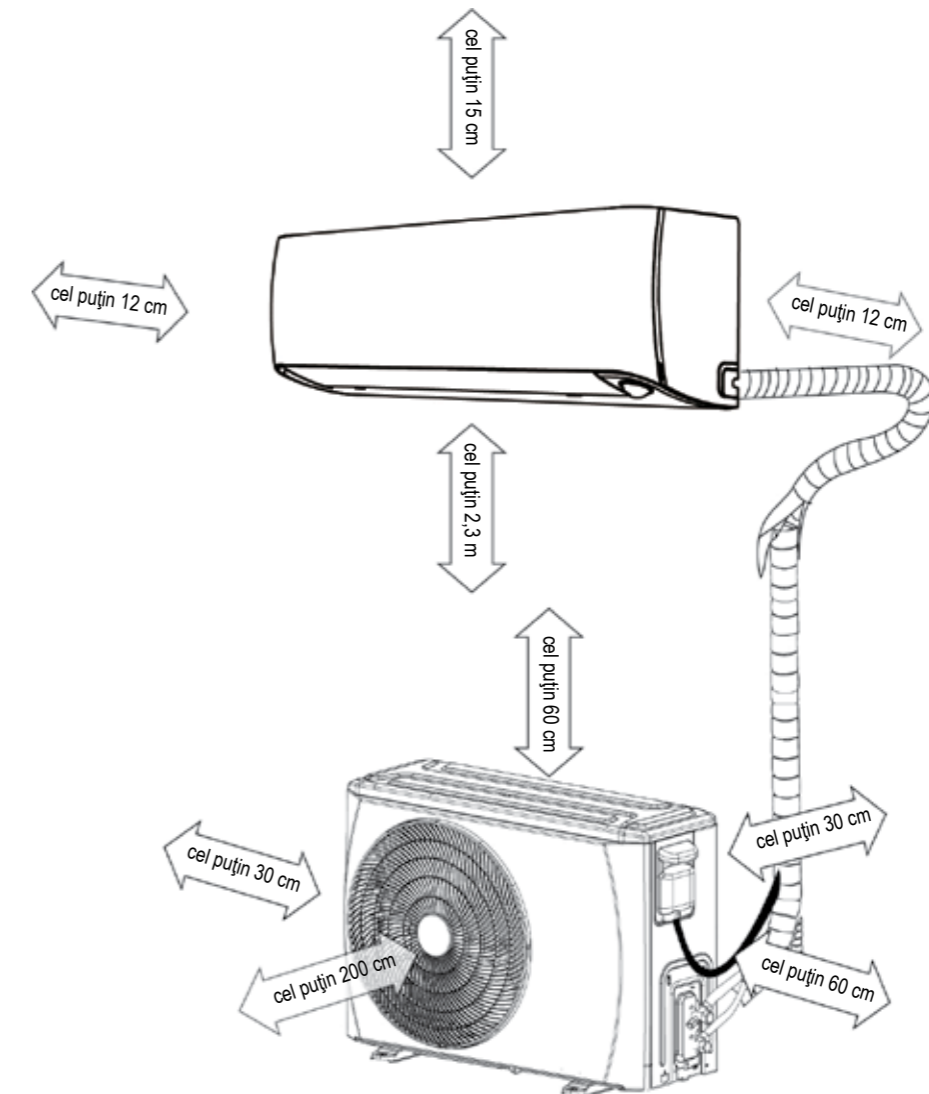
### Unitate interioară

- O locație care poate susține greutatea unității interioare.
- Nu instalați unitățile interioare în apropierea surselor directe de căldură, precum lumina directă a soarelui sau un aparat de încălzire.
- O locație care asigură distanțele corespunzătoare, conform figurii de mai jos.
- Piese mobile ale aparatului trebuie să fie instalate/amplasate la minim 2,3 m de podea.

### Unitate exterioară

- O locație care este convenabilă pentru instalare și care nu este expusă la vânt puternic. Se recomandă utilizarea unui paravânt dacă unitatea este expusă la vânt puternic.
- O locație care poate susține greutatea unității exterioare și în care unitatea exterioară poate fi montată pe o suprafață dreaptă.
- O locație care asigură distanțele corespunzătoare, conform figurii de mai jos.

Nu instalați unitățile interioare sau exterioare într-o locație cu condiții de mediu speciale. Asigurați-vă că există suficient spațiu pentru instalare și întreținere.



Notă: Asigurați spațiile indicate prin săgeți față de perete, tavan, balustradă sau alte obstacole.



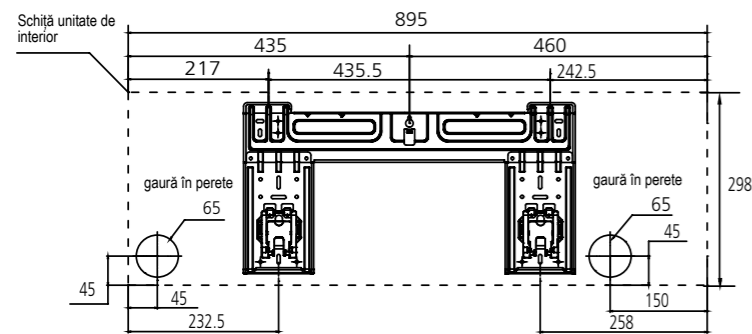
## 2. INSTALAREA UNITĂȚII INTERIOARE

## 2. INSTALAREA UNITĂȚII INTERIOARE

Carrier

RO

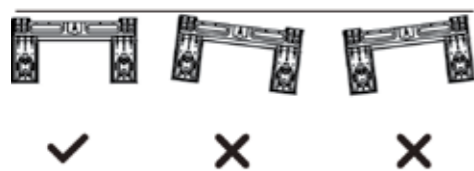
### 2.1 PLACA PORTANTĂ A UNITĂȚII INTERIOARE



Notă: Când conducta de conectare de pe partea cu gaz este de Ø16mm(5/8in) sau mai mare, orificiul aferent trebuie să fie 90mm(3,54in).

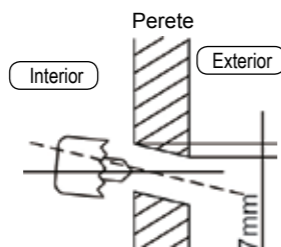
#### ■ Instalarea plăcii portante

Fixați placa portantă pe orizontală și amplasați pe perete cu cinci sau mai multe șuruburi tip A.



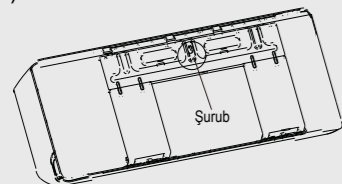
#### ■ Realizarea găurii în perete

Realizați o gaură de 65 mm sau 90 mm (în funcție de modele) în perete, ușor înclinată spre exterior.



Notă:

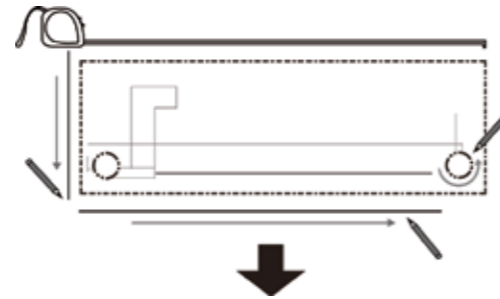
■ Placa de instalare este fixată cu un șurub pentru un transport mai ușor, îndepărtați șurubul înainte de instalare. (a se vedea figura)



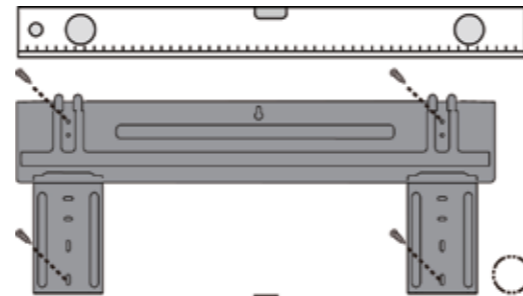
■ Placa portantă va arăta ca una dintre imagini, în funcție de dimensiunea unității. Orificiile pentru fixarea ancorelor trebuie să fie de 5 mm.

### 2.2 PROCESUL DE INSTALARE

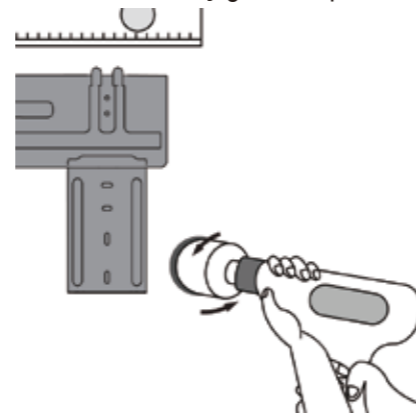
#### Pasul 1: Stabiliți poziția găurii în perete



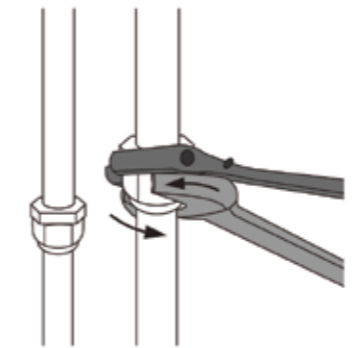
#### Pasul 2: Atașați placa portantă



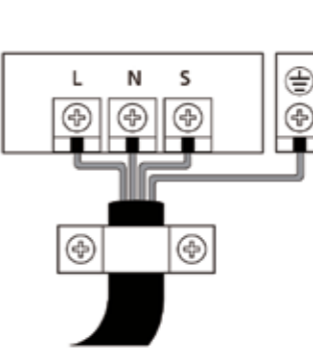
#### Pasul 3: Realizați gaura în perete



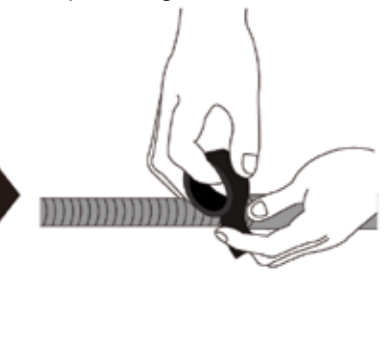
#### Pasul 4: Racordați tubulatura



#### Pasul 5: Conectați firul



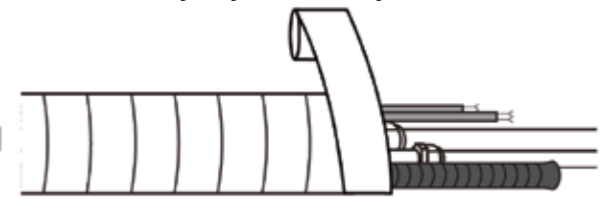
#### Step 6: Pregătiți furtunul de evacuare



#### Pasul 8: Suspendați unitatea interioară

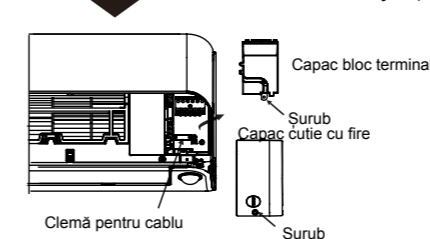
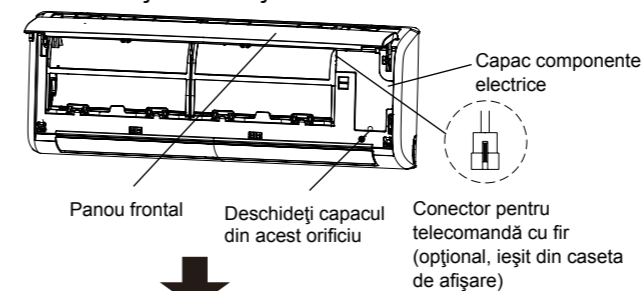


#### Pasul 7: Înfășurați tubulatura și cablul



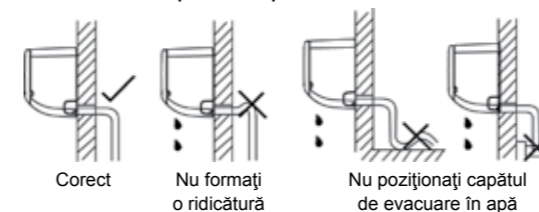
#### ■ Racordarea unității interioare cu cabluri

1. Ridicați panoul frontal al unității interioare.
2. Deschideți capacul componentelor electrice de la unitatea interioară folosind o șurubelniță prin orificiu, îndepărtați capacul cutiei de borne cu mâna și scoateți clema cablului desfăcând șuruburile
3. Treceți cablurile de racordare din spatele unității interioare și conectați cutia de borne a acesteia.



#### ■ Evacuarea

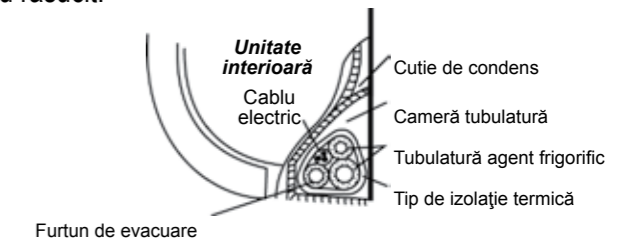
Țeava de evacuare nu trebuie să aibă niciun sifon pe lungimea sa, trebuie să fie îndreptată în jos și trebuie să fie izolată până la peretele exterior.



#### ■ Înfășurarea conductei

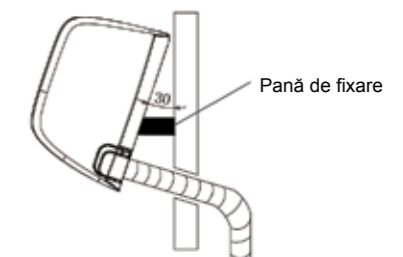
Pentru orientarea corespunzătoare a conductei de agent frigorific, a cablului electric și a liniilor de evacuare, consultați figura de mai jos:

- Poziționați furtunul de evacuare sub tubulatura pentru agent frigorific.
- Asigurați-vă că furtunul de evacuare nu este strâmb sau răsucit.



#### ■ Suspendați unitatea interioară

1. Treceți conductele de agent frigorific prin gaura din perete.
2. Poziționați unitatea interioară pe cârligul superior al plăcii portante, apoi împingeți partea inferioară a unității interioare pe perete pentru a coborî cârligul.
3. Mișcați unitatea dintr-o parte în alta, în sus și în jos pentru a verifica dacă este bine fixată.



**ATENȚIE**

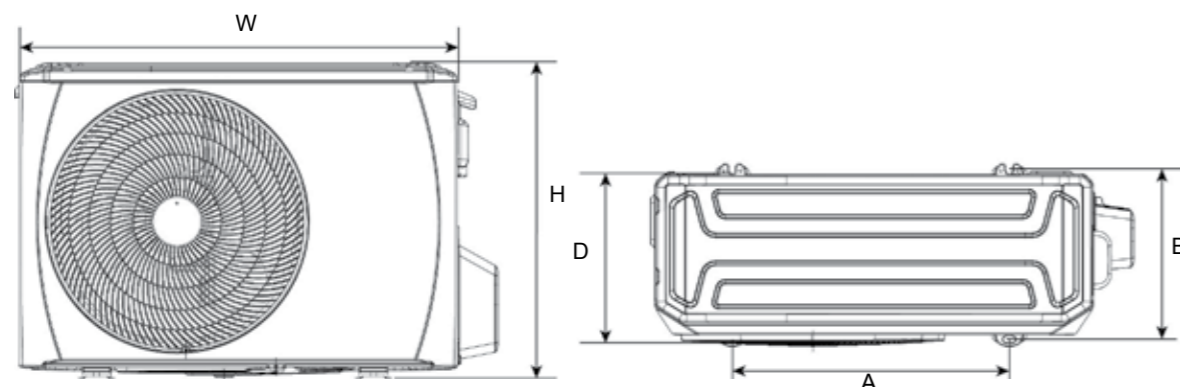
- Racordurile țevii de conexiune trebuie să fie lăsate în exteriorul camerei.

### 3. INSTALAREA UNITĂȚII EXTERIOARE



#### 3.1 DIMENSIUNEA DE MONTARE A UNITĂȚII EXTERIOARE

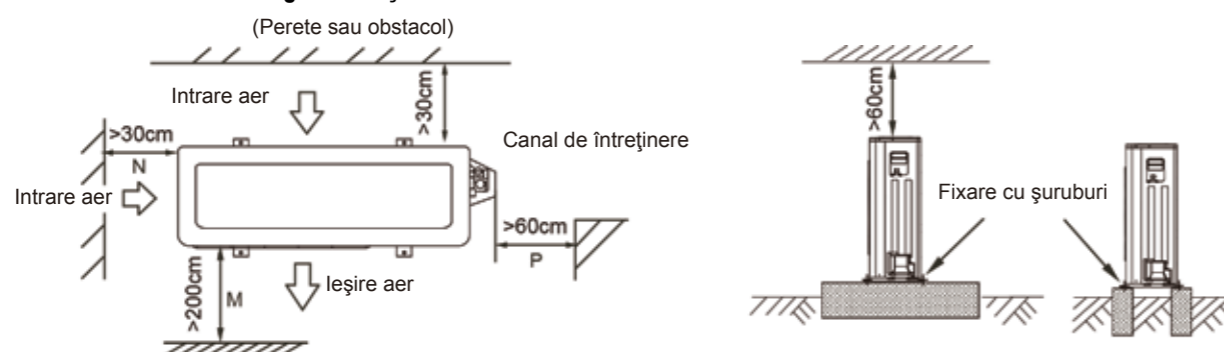
Dimensiunile de montare variază în funcție de unitatea exterioară.  
 Diametrul capătului șurubului de fixare trebuie să depășească 12mm.



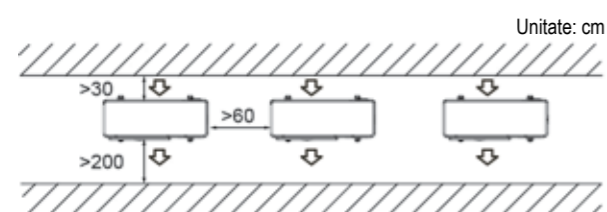
Dimensiune unitate exterioară (mm)			Dimensiune montare (mm)		
Unitate exterioară	W	H	D	A	B
38QHP09E8S-1 38QHP12E8S-1	805	554	330	511	317

#### 3.2 CERINȚE PRIVIND SPAȚIUL DE MONTARE PENTRU UNITATEA EXTERIOARĂ

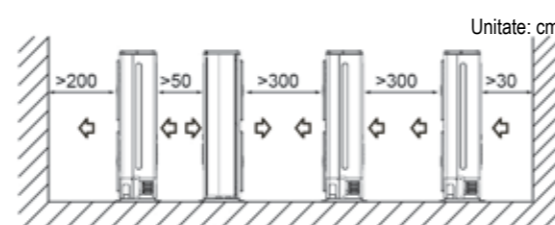
##### Instalarea unei singure unități



##### Conectarea în paralel a două sau mai multe unități



##### Conectarea în paralel a părților față și spate



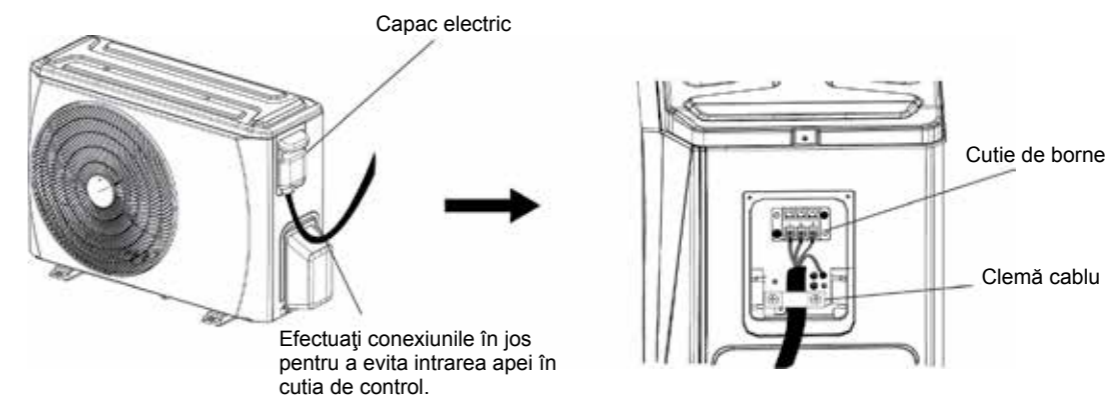
#### ATENȚIE

■ În regiunile cu căderi de zăpadă și temperaturi scăzute, evitați instalarea unității exterioare în zonele în care aceasta ar putea fi acoperită de zăpadă. În cazul în care se așteaptă căderi abundente de zăpadă, parazăpezi și/sau paravânturi trebuie instalate pentru a proteja unitatea împotriva acumulărilor de zăpadă și/sau a blocării orificiilor de admisie a aerului.

### 3. INSTALAREA UNITĂȚII EXTERIOARE

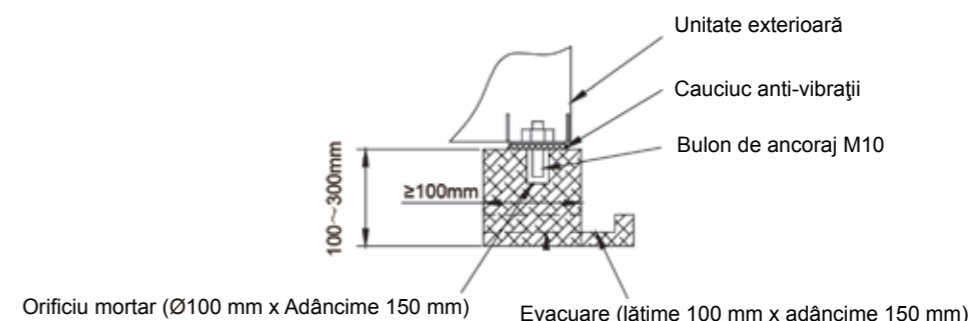
#### 3.3 RACORDAREA UNITĂȚII EXTERIOARE CU CABLURI

- Îndepărtați capacul componentelor electrice și clema cablului prin desfacerea șuruburilor.
- Conectați cablurile la cutia de borne a unității exterioare parcurgând pașii pentru unitatea interioară.



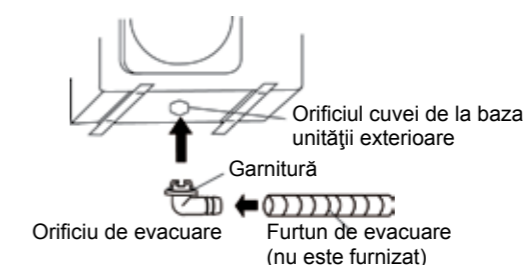
#### 3.4 INSTALAREA UNITĂȚII EXTERIOARE

- Înainte de instalare, verificați rezistența și orizontalitatea bazei, astfel încât să nu fie generat un sunet anormal.
- Fixați bine unitatea utilizând buloane de ancoraj (M10) pentru a împiedica căderea unității.
- Fundația și cauciucul anti-vibrații trebuie să susțină direct suprafața inferioară a piciorului de fixare care vine în contact cu placa inferioară a unității exterioare.



#### 3.5 INSTALAREA CONDUCTEI DE EVACUARE PENTRU UNITATEA EXTERIOARĂ

- Conectați orificiul de evacuare utilizând un furtun de evacuare extensibil
- Fixați garnitura pe orificiul de evacuare.
- Introduceți orificiul de evacuare în orificiul cuvei de la baza unității exterioare și rotiți-l la 90 de grade pentru a le asambla.



# 4. LUCRĂRILE DE TUBULATURĂ PENTRU AGENTUL FRIGORIFIC

# 4. LUCRĂRILE DE TUBULATURĂ PENTRU AGENTUL FRIGORIFIC



### ATENȚIE

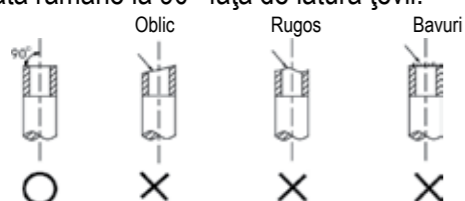
- Verificați dacă diferența de înălțime dintre unitatea interioară și cea exterioară și lungimea totală a conductei de agent frigorific respectă cerințele sistemului.
- Conectarea conductei de agent frigorific se efectuează după instalarea unității interioare și a unității exterioare. Mai întâi, conectați conducta la unitatea interioară, apoi la cea exterioară.
- În timpul instalării, etanșați capetele tubulaturii cu capac sau acoperiți-le cu bandă. NU îndepărtați capacul sau banda înainte de a conecta tubulatura.
- Izolați toate țevile până la conectarea lor în interiorul unității. Pe țevile neprotejate se poate forma condens sau țevile se pot supraîncălzi.
- Atunci când unitatea exterioară este în poziția superioară, iar diferența de nivel depășește 10 m, se recomandă montarea unui cot de întoarcere a uleiului la fiecare 5~8 m pe conducta de gaz. Raza cotului de întoarcere a uleiului trebuie să fie mai mare de 10 cm.

## 4.1 EVAZAREA

### OBSERVAȚIE

- Uneltele necesare pentru evazare sunt: dispozitivul de tăiat țevi, lărgitorul, dispozitivul de evazare și suportul pentru țevi.
- La modelele cu agent frigorific R32, punctele de conexiune ale conductei trebuie plasate în afara încăperii.

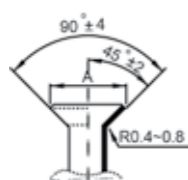
4.1.1 Tăiați țevile la lungimea specificată folosind un dispozitiv de tăiat țevi. Asigurați-vă că muchia tăiată rămâne la 90° față de latura țevii.



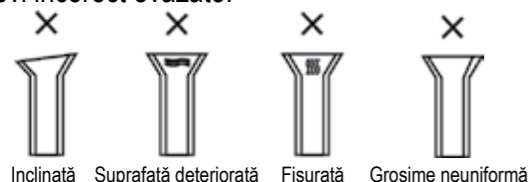
4.1.2 Utilizați un lărgitor pentru a elimina bavurile de pe suprafața tăiată îndreptată în jos, astfel încât așchiile să nu cadă în țevă.

4.1.3 Efectuați evazarea folosind uneltele de evazare de mai jos.

Diametru exterior	A (mm)	
	Max	Min
Ø6,35 mm	8,7	8,3
Ø9,52 mm	12,4	12,0
Ø12,7 mm	15,8	15,4
Ø15,88 mm	19,0	18,6
Ø19,05 mm	23,3	22,9



4.1.4 Verificați dacă evazarea a fost efectuată în mod corespunzător. Mai jos sunt câteva exemple de țevi incorect evazate.

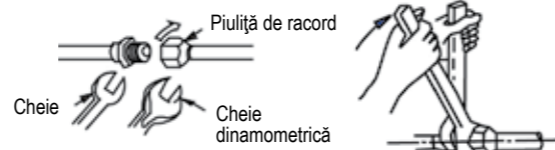


### ATENȚIE

- În cazul în care țeava trebuie lipită, utilizați azot.
- Un cuplu necorespunzător poate duce la deteriorarea piuliței sau scurgeri de gaz.

## 4.2 STRÂNGEREA RACORDURILOR

4.2.1 Aliniați centrul pentru a strânge piulița de racord și finalizați conectarea cu ajutorul a două chei.



Diametru	Cuplu de strângere
Ø6,35 mm	18 ~ 20 N.m
Ø9,52 mm	25 ~ 26 N.m
Ø12,7 mm	35 ~ 36 N.m
Ø15,88 mm	45 ~ 47 N.m
Ø19,05 mm	65 ~ 67 N.m

4.2.2 Selectați materialul de izolație corespunzător pentru conducta de agent frigorific. (Min. 10 mm, spumă de izolație termică C)

- Utilizați materiale de izolație termică separate pentru țevile de gaz și cele de lichid.
- Grosimea indicată mai sus este grosimea standard pentru o temperatură interioară de 27°C și o umiditate de 80%. În cazul instalării în condiții nefavorabile, cum ar fi în spații din apropierea băilor, bucătăriilor sau în alte locuri similare, consolidați izolația.
- Izolația trebuie să reziste la o temperatură de peste 120°C.
- Utilizați adezivi pe partea de izolație care vine în contact cu țeava pentru a împiedica pătrunderea umezelii.
- Reparați și acoperiți potențialele fisuri ale stratului de izolație și verificați, în special, îndoirea sau brățara țevii.

## 4.3 CONDUCTA PENTRU AGENT FRIGORIFIC

Notă: Agentul frigorific trebuie încărcat prin punctul de service al supapei de joasă presiune a unității exterioare.

	Lungime minimă pentru a reduce vibrațiile și zgomotele anormale	Lungime fără sarcină	Sarcină suplimentară pe metru	
			Partea cu lichid: Ø6,35 mm	Partea cu lichid: Ø9,52 mm
R32*	3 m	5 m	12 g	24 g

\* Utilizați sculele pentru sistemul R32.

### OBSERVAȚIE

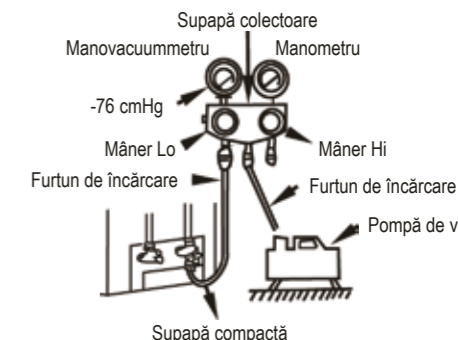
- Lungimea extinsă a conductei afectează capacitatea și eficiența energetică a unității.
- Eficiența nominală este testată pe baza unei lungimi a conductei de 5 metri.
- În cazul în care lungimea conductei depășește 5 m, este necesară o ajustare a încărcăturii cu agent frigorific în funcție de lungimea conductei.
- Lungimea max. a conductei este recomandată mai jos.

Modele	Invertor R32	
	Lungimea maximă a conductei (m)	Diferența maximă de înălțime (m)
9K/12K	25	10

\* Utilizați sculele pentru sistemul R32.

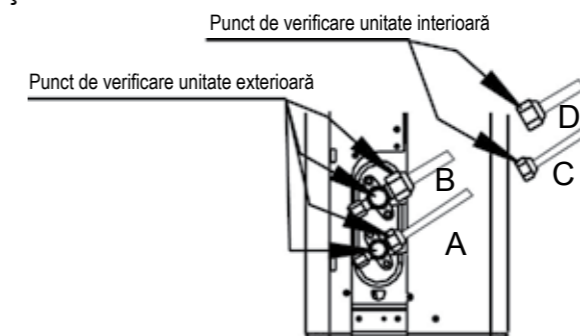
## 4.4 EVACUAREA AERULUI

- Conectați furtunul de încărcare de la manometrul de conductă la portul de serviciu al supapei compacte a părții pentru gaz.
- Conectați furtunul de încărcare la portul pompei de vid.
- Deschideți complet mânerul Lo al manometrului de conductă.
- Puneți în funcțiune pompa de vid pentru a evacua aerul din sistem până la -76cmHg.
- Închideți mânerul Lo al manometrului de conductă.
- Deschideți complet tija supapelor compacte.
- Îndepărtați furtunul de încărcare din portul de serviciu.
- Strângeți corespunzător capacele supapei compacte.



## 4.5 TESTUL DE ETANȘITATE

La finalizarea lucrărilor, verificați toate racordurile utilizând apă cu săpun sau un detector de pierderi adecvat pentru agenții frigorifici de tip HFC pentru a vă asigura că nu există scurgeri de gaze. Consultați figura de mai jos ca ilustrație de referință.



A: Supapă de oprire de joasă presiune  
C și D: Piulițe de racord ale unității interioare

B: Supapă de oprire de înaltă presiune

## ATENȚIE

- Toate conexiunile electrice trebuie realizate de persoane calificate și toate cablajele trebuie conectate în conformitate cu diagrama de conectare.
- Împământarea trebuie realizată înainte de efectuarea altor conexiuni electrice.
- Toate sursele de alimentare trebuie să fie oprite înainte de începerea lucrărilor de cablare și nu porțiți alimentarea până când nu v-ați asigurat că toate cablajele au fost verificate.
- Trebuie instalate un comutator principal și un disjuncteur sau o siguranță, iar capacitatea trebuie să fie de cel puțin 1,5 ori mai mare decât curentul maxim din circuit.
- Un circuit de derivare individual și o singură priză utilizată pentru aparatul de aer condiționat trebuie să fie disponibile.
- Secțiunea transversală a cablului depinde de curentul nominal și de codul local, regional și național privind cablajele electrice. Consultați codurile de construcție locale și Codul electric național pentru cerințe speciale.
- În cazul în care cablul de alimentare este deteriorat, acesta trebuie înlocuit de producător, de agentul său de service ori de o persoană cu calificări similare pentru a evita riscurile.
- Unitatea trebuie să fie conectată la sursa principală de alimentare prin intermediul unui disjuncteur sau a unui comutator cu un interval de contact de cel puțin 3 mm la toți polii. Se recomandă instalarea unui dispozitiv de curenți diferențiali reziduali (DDR) cu un curent rezidual nominal care nu depășește 30 mA.
- Acest aparat este prevăzut cu împământare numai în scopuri funcționale.

### Curentul nominal pentru fiecare model

Model	Curent nominal (A)	Putere nominală siguranțe (A)	Cablu de alimentare (cu secțiune transversală minimă)	Cablu de conectare (cu secțiune transversală minimă)
38QHP09E8S-1	13,0	20	3*1,5 mm <sup>2</sup>	5*1,5 mm <sup>2</sup>
38QHP12E8S-1	13,0	20	3*1,5 mm <sup>2</sup>	5*1,5 mm <sup>2</sup>

### OBSERVAȚIE:

1. Dimensiunile tuturor cablurilor de alimentare trebuie să respecte codul local, regional și național privind cablajele electrice. Consultați codurile de construcție locale și Codul electric național pentru cerințe speciale.
2. Cablul de alimentare pentru instalare la exterior și cablul de interconectare trebuie să fie de tipul H07RN-F.
3. Curentul nominal al aparatului este indicat în plăcuța de identificare.
4. Specificațiile siguranței unității exterioare este T20A/250VAC (se aplică numai unităților cu agent frigorific R32) Notă: Siguranța este fabricată din ceramică.



### Diagrama de conectare

Model	Unitate interioară	Unitate exterioară
QHP09 QHP12		
	La exterior	La interior Putere de intrare

### Instalarea inelului magnetic

Notă: Cutia de borne poate fi diferită în funcție de model.

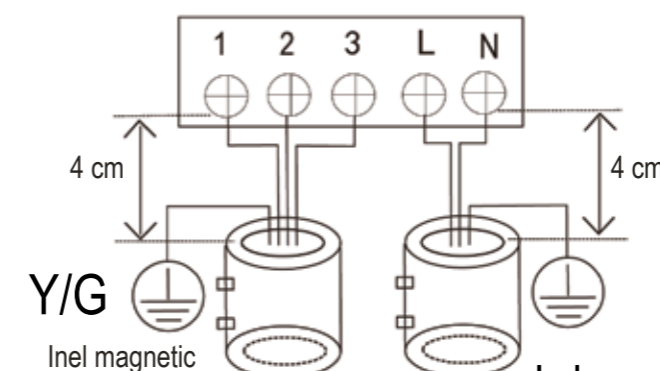
#### Unitate interioară



#### Inel magnetic

(dacă este furnizat și împachetat cu accesoriile)  
Treceți banda prin orificiul inelului magnetic pentru a-l fixa pe cablu

#### Unitate exterioară



Y/G

Inel magnetic

Inel magnetic

(dacă este furnizat și împachetat cu accesoriile)

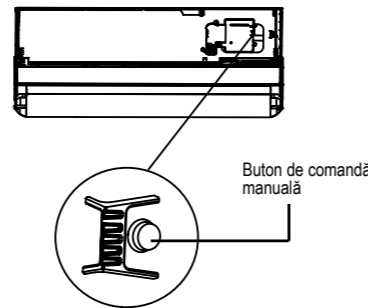
Treceți banda prin orificiul inelului magnetic pentru a-l fixa pe cablu



### 6.1 LISTĂ DE VERIFICARE FINALĂ

Pentru a finaliza instalarea, efectuați următoarele verificări înainte de testare.

- Verificați rezistența locului de instalare atât pentru unitatea interioară cât și pentru cea exterioară; asigurați-vă că orificiile de admisie și evacuare a aerului nu sunt obstrucționate.
- Verificați etanșeitatea racordurilor tubulaturii de agent frigorific; asigurați-vă că nu există scurgeri.
- Conexiunile electrice sunt corect executate, iar unitatea a fost împământată.
- Verificați lungimea totală a tubulaturii și înregistrați volumul de agent frigorific suplimentar
- Sursa de alimentare trebuie să corespundă tensiunii nominale a aparatului de aer condiționat
- Izolația conductei
- Evacuarea



### 6.2 OPERAREA MANUALĂ

Operarea manuală poate fi realizată apăsând butonul de comandă manuală. Apăsăți în mod repetat butonul manual pentru a schimba modulurile după cum urmează:

- O dată = Modul AUTO [încălzire, răcire sau ventilator, 24°C și viteză ventilator automată.
- De două ori = Modul COOLING [comută la modul AUTO după 30 de minute (utilizat în principal pentru testare)].
- De trei ori = OFF

### 6.3 TESTAREA

Setați aparatul de aer condiționat în modul COOLING cu ajutorul telecomenzii (sau butonului de comandă manuală) și verificați starea de funcționare atât a unității interioare, cât și a unității exterioare. În caz de funcționare defectuoasă, remediați problema conform instrucțiunilor din capitolul „Depanare” din „Manualul de utilizare”.

#### Unitate interioară

- Verificați dacă butoanele telecomenzii (cum ar fi ON/OFF, MODE, TEMPERATURE, FAN SPEED etc.) funcționează corect.
- Dacă fanta de ventilație se deplasează normal.
- Dacă temperatura camerei este reglată corect.
- Dacă indicatoarele de pe panoul de afișare sunt afișate normal.
- Dacă butonul de comandă manuală funcționează corect.
- Dacă evacuarea este normală.
- Dacă există vibrații sau zgomote anormale în timpul funcționării.
- Dacă unitatea interioară funcționează corect în modul COOLING sau HEATING.

#### Unitate exterioară

- Dacă există vibrații sau zgomote anormale în timpul funcționării.
- Dacă fluxul de aer, zgomotul sau condensul generat de aparatul de aer condiționat afectează vecinii.
- Dacă există scurgeri de agent frigorific.

#### ATENȚIE

- O întârziere de 3 minute este normală la repornirea unității pentru protecția compresorului.

### 7.1 VERIFICĂRILE ZONEI

Înainte de a începe lucrările asupra sistemelor care conțin agenți frigorifici inflamabili, sunt necesare verificări de siguranță pentru a asigura faptul că riscul de aprindere este minimizat. Pentru repararea sistemului de agent frigorific, trebuie respectate următoarele măsuri de precauție înainte de a efectua lucrări asupra sistemului.

### 7.2 PROCEDURA DE LUCRU

Lucrările vor fi întreprinse în baza unei proceduri controlate astfel încât să se reducă la minim riscul prezenței de gaz sau vapori inflamabili în timpul efectuării lucrărilor.

### 7.3 ZONA GENERALĂ DE LUCRU

Tot personalul de întreținere și celelalte persoane care lucrează în zona locală trebuie instruite privind natura lucrărilor care vor fi efectuate. Se va evita lucrul în spații restrânse. Zona din jurul spațiului de lucru va fi delimitată. Asigurați-vă că acele condiții din zonă au fost făcute sigure prin controlul materialului inflamabil.

### 7.4 VERIFICAREA PENTRU PREZENȚA AGENTULUI FRIGORIFIC

Zona va fi verificată cu un agent frigorific corespunzător înainte de și în timpul lucrărilor, pentru a asigura faptul că tehnicianul este conștient de atmosfere potențial inflamabile. Asigurați-vă că echipamentul utilizat pentru detectarea scurgerilor este potrivit pentru utilizare împreună cu agenți frigorifici, i.e. fără scânteii, cu etanșare corespunzătoare sau cu siguranță intrinsecă.

### 7.5 PREZENȚA STINGĂTORULUI DE INCENDIU

Dacă urmează să fie efectuate lucrări la temperaturi ridicate asupra echipamentului de refrigerare sau asupra oricăror piese asociate, trebuie să fie prezent echipament corespunzător pentru stingerea incendiilor. Țineți un stingător cu pudră uscată sau cu CO<sub>2</sub> lângă zona de încărcare.

### 7.6 FĂRĂ SURSE DE APRINDERE

Persoanele care efectuează lucrări legate de un sistem de refrigerare care implică expunerea tubulaturii care conține sau care a conținut agent frigorific inflamabil trebuie să nu utilizeze surse de aprindere care ar putea duce la risc de incendiu sau explozie. Toate sursele posibile de aprindere, inclusiv țigările aprinse, trebuie ținute la o distanță suficientă față de locul instalării, reparării, demontării și eliminării, în timpul în care agentul frigorific inflamabil poate fi eliberat în spațiul înconjurător. Înainte de efectuarea oricăror lucrări, zona din jurul echipamentului trebuie verificată pentru a se asigura faptul că nu există pericole inflamabile sau riscuri de aprindere. Trebuie afișate semne „FUMATUL INTERZIS”.

### 7.7 ZONA VENTILATĂ

Asigurați-vă că zona este într-un spațiu deschis sau că aceasta este ventilată corespunzător înainte de a accesa sistemul sau de a efectua orice lucrări care implică temperaturi ridicate. Trebuie continuată ventilația într-o anumită măsură în timpul efectuării lucrărilor. Ventilația ar trebui să disperseze în siguranță orice agent frigorific eliberat, în mod preferabil, expulzând acesta în atmosferă.

### 7.8 VERIFICĂRILE ECHIPAMENTULUI DE REFRIGERARE

La schimbarea componentelor electrice, cele noi trebuie să fie corespunzătoare pentru scop și conform specificațiilor. Trebuie urmate permanent liniile directe ale producătorului privind lucrările de întreținere și service. Dacă aveți îndoieli, consultați departamentul tehnic al producătorului pentru asistență. Se vor aplica următoarele verificări la instalațiile care utilizează agenți frigorifici inflamabili:

- dimensiunea încărcării este în conformitate cu dimensiunea camerei în care sunt instalate piesele care conțin agent frigorific;
- echipamentele și ieșirile de ventilație funcționează corespunzător și nu sunt obstrucționate;
- dacă se utilizează un circuit indirect de refrigerare, circuitele secundare trebuie verificate pentru o eventuală prezență de agent frigorific; marcajele echipamentului sunt în continuare vizibile și lizibile.
- marcajele și semnele care nu sunt lizibile trebuie corectate;
- conducta de agent frigorific sau componentele sunt instalate astfel încât să nu fie probabil ca acestea să fie expuse la substanțe care pot coroda componentele care conțin agent frigorific, cu excepția cazului în care componentele sunt realizate din materiale care sunt în mod inerent rezistente la coroziune sau care sunt protejate corespunzător împotriva coroziunii.

### 7.9 VERIFICĂRILE DISPOZITIVELOR ELECTRICE

Lucrările de reparare și întreținere pentru componentele electrice vor include verificări de siguranță inițiale și proceduri pentru inspectarea componentelor. Dacă există un defect care poate compromite siguranța, atunci nu trebuie conectată nicio sursă de alimentare electrică la circuit înainte ca acesta să fie abordat în mod satisfăcător. Dacă defectul nu poate fi corectat imediat, dar este necesară continuarea operațiunii, se va utiliza o soluție temporară corespunzătoare. Acest aspect va fi raportat către proprietarul echipamentului astfel încât toate părțile să fie notificate.

**Verificările de siguranță inițiale vor include verificarea următoarelor aspecte:**

- condensatoarele sunt descărcate: se va efectua în siguranță astfel încât să se posibilitatea de producere de scântei
- nu există componente electrice și cabluri sub tensiune expuse în timpul încărcării, recuperării sau purjării sistemului;
- există continuitate a împământării.

### 7.10 REPARAREA COMPONENTELOR ETANȘATE

- 10.1 În timpul lucrărilor de reparare efectuate asupra componentelor etanșate, toate sursele de alimentare vor fi deconectate de la echipamentul asupra căruia se lucrează înainte de orice demontare a capacelor etanșate, etc. Dacă este absolut necesar ca o sursă de alimentare electrică să fie conectată la echipament în timpul lucrărilor de service, atunci trebuie utilizată o formă de detectare a scurgerilor care funcționează permanent la punctul cel mai critic pentru a avertiza privind o situație potențial periculoasă.
- 10.2 Trebuie acordată o atenție deosebită la următoarele aspecte pentru a asigura faptul că la lucrul asupra componentelor electrice, carcasa nu este alterată astfel încât să se afecteze nivelul de protecție. Aceasta va include deteriorarea cablurilor, un număr excesiv de conexiuni, borne neconforme cu specificația originală, deteriorarea etanșărilor, fixarea greșită a presetupelor, etc.
- Asigurați-vă că aparatul este montat corespunzător.
  - Asigurați-vă că etanșările sau materialele de etanșare nu sunt degradate până la nivelul în care nu mai îndeplinesc scopul de a împiedica pătrunderea de atmosfere inflamabile. Piese de schimb vor fi în conformitate cu specificațiile producătorului.

NOTĂ: Utilizarea de produs de etanșare din silicon poate afecta eficiența anumitor tipuri de echipamente pentru detectarea scurgerilor.

Componentele cu siguranță intrinsecă nu necesită izolare înainte de a se efectua lucrări asupra acestora.

### 7.11 REPARAREA COMPONENTELOR CU SIGURANȚĂ INTRINSECĂ

Nu aplicați sarcini inductive sau de capacitanță permanente asupra circuitului fără a asigura faptul că nu se va depăși tensiunea permisibilă și curentul permis pentru echipamentul în curs de utilizare. Componentele cu siguranță intrinsecă sunt singurele tipuri asupra cărora se poate lucra atunci când ele sunt sub tensiune și în prezența unei atmosfere inflamabile. Aparatele de testare trebuie să fie la valorile nominale corecte. Înlocuiți componentele numai cu piese specificate de producător. Utilizarea altor piese poate avea drept rezultat aprinderea agentului frigorific în atmosferă în urma unei scurgeri.

### 7.12 CABLAJELE

Asigurați-vă că firele nu sunt expuse la uzură, coroziune, presiune excesivă, vibrații, margini ascuțite sau orice alte efecte de mediu negative. De asemenea, verificarea trebuie să aibă în vedere efectele de uzare în timp sau vibrațiile continue de la surse precum compresoare sau ventilatoare.

### 7.13 DETECTAREA AGENȚILOR FRIGORIFICI INFLAMABILI

Nu trebuie utilizate în niciun caz surse potențiale de aprindere la căutarea de sau detectarea de scurgeri de agent frigorific. Nu trebuie utilizată o lampă cu halogenură (sau orice alt detector cu flacără deschisă).

### 7.14 METODE DE DETECTARE A SCURGERILOR

Următoarele metode de detectare a scurgerilor sunt considerate a fi acceptabile pentru sistemele care conțin agenți frigorifici inflamabili.

Se vor utiliza detectoare electronice de scurgeri pentru a detecta agenți frigorifici inflamabili, însă sensibilitatea poate să nu fie corespunzătoare, sau poate necesita recalibrare. (Echipamentele de detectare vor fi calibrată într-o zonă fără agent frigorific.) Asigurați-vă că detectorul nu este o sursă potențială de aprindere și că este corespunzător pentru agentul frigorific. Echipamentul pentru detectarea scurgerilor va fi setat la un procentaj al LFL-ului agentului frigorific și va fi calibrat pentru agentul frigorific utilizat, iar procentajul corespunzător de gaz (max. 25%) este confirmat. Fluidele pentru detectarea scurgerilor sunt potrivite pentru utilizarea împreună cu majoritatea agenților frigorifici, însă utilizarea de detergenți care conțin clor va fi evitată, deoarece clorul poate reacționa cu agentul frigorific și poate coroda tubulatura din cupru. Dacă se suspectează o scurgere, toate flăcările deschise trebuie eliminate sau stinse. Dacă se găsește o scurgere de agent frigorific care necesită lipire, tot agentul frigorific trebuie recuperat din sistem, sau trebuie izolat (prin intermediul supapelor de izolare) într-o parte a sistemului care să fie departe de scurgere. Apoi se va purja azot fără conținut de oxigen (OFN) prin sistem atât înainte cât și în timpul procesului de lipire.

### 7.15 ELIMINAREA ȘI EVACUAREA

La accesarea circuitului de agent frigorific în vederea efectuării de lucrări de reparare sau pentru alte scopuri, trebuie utilizate proceduri convenționale. Cu toate acestea, este important să se urmeze cele mai bune practici, deoarece inflamabilitatea este un aspect de luat în considerare. Se va respecta următoarea procedură:

- eliminați agentul frigorific;
- purjați circuitul cu gaz inert;
- evacuați;
- purjați din nou cu gaz inert;
- deschideți circuitul prin tăiere sau lipire.

Cantitatea de agent frigorific va fi recuperată în cilindrii de recuperare corecți. Sistemul va fi clătit cu OFN pentru ca unitatea să devină sigură. Este posibil să fie necesar ca acest proces să fie repetat de câteva ori.

Nu se va utiliza aer comprimat sau oxigen pentru această sarcină.

Clătirea se va efectua prin întreruperea vidului din sistem cu OFN și umplerea până când se obține presiunea de lucru, apoi prin ventilarea către atmosferă, apoi la final, prin reducerea la un vid. Acest proces va fi repetat până când nu mai există agent frigorific în sistem.

Când se utilizează cantitatea finală de OFN, sistemul va fi ventilat până la presiunea atmosferică pentru a permite efectuarea lucrărilor. Această operațiune este absolut esențială pentru ca operațiunile de lipire de pe tubulatură să fie posibile. Asigurați-vă că ieșirea pentru pompa de vid nu este închisă la orice surse de aprindere și că există ventilație disponibilă.

### 7.16 PROCEDURILE DE ÎNCĂRCARE

Suplimentar față de procedurile de încărcare convenționale, trebuie respectate următoarele cerințe:

- Asigurați-vă că nu are loc contaminarea diferiților agenți frigorifici la utilizarea echipamentului de încărcare. Furtunurile sau liniile trebuie să fie cât mai scurte pentru a minimiza cantitatea de agent frigorific din ele.
- Cilindrii trebuie păstrați în poziție verticală.
- Asigurați-vă că sistemul de refrigerare este împământat înainte de a încărca sistemul cu agent frigorific.
- Etichetați sistemul atunci când încărcarea este finalizată (dacă nu este deja).
- Trebuie avută grijă deosebită pentru a nu umple excesiv sistemul de refrigerare.
- Înainte de a reîncărca sistemul, acesta trebuie testat sub presiune cu OFN. Sistemul va fi testat împotriva scurgerilor la finalizarea încărcării, însă înainte de punerea în exploatare. O testare ulterioară pentru detectarea unor eventuale scurgeri

### 7.17 SCOATEREA DIN EXPLOATARE

Înainte de a efectua această procedură, este esențial ca tehnicianul să fie complet familiarizat cu echipamentul și toate detaliile aferente. E o bună practică recomandată ca tot agentul frigorific să fie recuperat în siguranță.

Înainte de efectuarea sarcinii, trebuie luate mostre de ulei și agent frigorific.

În cazul în care este necesară o analiză înainte de reutilizarea agentului frigorific recuperat. Este esențial ca alimentarea electrică să fie disponibilă înainte de începerea efectuării sarcinii.

- a) Familiarizați-vă cu echipamentul și funcționarea acestuia.
- b) Izolați electric sistemul
- c) Înainte de a continua procedura, asigurați-vă că:
  - este disponibil echipament de manipulare mecanică, dacă este necesar, pentru manipularea cilindrilor pentru agent frigorific;
  - tot echipamentul individual de protecție este disponibil și este utilizat în mod corect;
  - echipamentul de recuperare este supravegheat permanent de o persoană competentă;
  - echipamentul de recuperare și cilindrii sunt în conformitate cu standardele corespunzătoare.
- d) Reduceți presiunea sistemului de agent frigorific, dacă este posibil.
- e) Dacă nu este posibilă obținerea unui vid, realizați un colector astfel încât agentul frigorific să poată fi eliminat prin diferite părți ale sistemului.
- f) Asigurați-vă că cilindrul este situat pe cântar înainte de efectuarea recuperării.
- g) Porniți echipamentul de recuperare și operați-l în conformitate cu instrucțiunile producătorului.
- h) Nu umpleți excesiv cilindrii. (Nu mai mult de 80% volum cantitate lichid).
- i) Nu depășiți presiunea maximă de lucru a cilindrului, nici măcar temporar.
- j) Când cilindrii sunt umpluți corect și procesul este finalizat, asigurați-vă că cilindrii și echipamentul sunt înlăturați cu promptitudine din locație și că toate supapele de izolare ale echipamentului sunt închise.
- k) Agentul frigorific recuperat nu va fi încărcat într-un alt sistem de refrigerare, cu excepția cazului în care a fost curățat și verificat.

### 7.18 ETICHETAREA

Echipamentul va fi etichetat, menționându-se că a fost scos din exploatare și golit de agent frigorific. Eticheta va fi datată și semnată. Asigurați-vă că există etichete pe echipament care menționează faptul că acesta conține agent frigorific inflamabil.

### 7.19 RECUPERAREA

- La eliminarea agentului frigorific dintr-un sistem, pentru lucrări de service sau scoaterea din exploatare, e o bună practică recomandată ca tot agentul frigorific să fie eliminat în siguranță.
- La transferarea agentului frigorific în cilindrii, asigurați-vă că se utilizează numai cilindrii corespunzători pentru recuperare de agent frigorific. Asigurați-vă că este disponibil numărul corect de cilindrii pentru cantitatea totală a sistemului. Toți cilindrii care urmează să fie utilizați sunt desemnați pentru agentul frigorific recuperat și etichetați corespunzător (de ex. cilindri speciali pentru recuperarea agentului frigorific). Cilindrii vor fi prevăzuți cu supapă pentru eliberarea presiunii și supape de izolare asociate în stare bună de funcționare.
- Cilindrii de recuperare goți sunt evacuați și, dacă este posibil, răciți înainte de a avea loc recuperarea.
- Echipamentul de recuperare va fi în stare bună de funcționare, cu un set de instrucțiuni privind echipamentul la îndemână și va fi potrivit pentru recuperarea agentului frigorific. Suplimentar, dispozitive de cântărire calibrate vor fi disponibile și în stare bună de funcționare.
- Furtunurile vor fi prevăzute cu cuplaje de deconectare fără scurgere și în stare bună. Înainte de a utiliza echipamentul de recuperare, verificați că este în stare bună de funcționare, că a fost întreținut corespunzător și că orice componente electrice asociate sunt etanșate pentru a preveni aprinderea în cazul unei eliberări de agent frigorific. În caz de îndoieli, consultați producătorul.
- Agentul frigorific recuperat va fi returnat la furnizorul de agent frigorific în cilindrul de recuperare corect și se va aranja Nota de transfer de deșeuri relevantă. Nu amestecați agenți frigorifici în unități de recuperare sau în cilindri.
- Dacă compresoarele sau uleiurile de compresor urmează să fie înlăturate, asigurați-vă că acestea au fost evacuate la un nivel acceptabil pentru a asigura faptul nu rămâne agent frigorific inflamabil în lubrifiant. Procesul de evacuare va fi efectuat înainte de returnarea compresorului la furnizori. Numai încălzirea electrică a corpului compresorului va fi utilizată pentru a accelera acest proces. Când uleiul este evacuat dintr-un sistem, această operațiune trebuie efectuată cu grijă.

### 7.20 TRANSPORTUL, MARCAJELE ȘI DEPOZITAREA UNITĂȚILOR

1. Transportul echipamentului care conține agenți frigorifici inflamabili  
Conformitate cu regulile privind transportul
2. Marcarea echipamentului folosind semne  
Conformitate cu regulile locale
3. Eliminarea echipamentului care utilizează agenți frigorifici inflamabili  
Conformitate cu regulile naționale
4. Depozitarea echipamentului/aparatelor  
Depozitarea echipamentului trebuie să fie în conformitate cu instrucțiunile producătorului.
5. Depozitarea echipamentului împachetat (nevândut)  
Trebuie realizată protecția pachetului de depozitare astfel încât daunele mecanice ale echipamentului din interiorul pachetului să nu cauzeze o scurgere a încărcăturii de agent frigorific.  
Numărul maxim de bucăți de echipament care pot fi depozitate împreună va fi determinat de regulile locale.

Tento produkt je v súlade so smernicami Európskej únie, a to smernicou o nízkom napätí (2014/35/EÚ) a smernicou o elektromagnetickej kompatibilite (2014/30/EÚ).



## Správna likvidácia tohto produktu (odpad z elektrických a elektronických zariadení)

(Ak toto zariadenie používate v krajinách Európy, je potrebné riadiť sa nasledujúcimi pokynmi)

- Tento symbol nachádzajúci sa na samotnom produkte alebo v jeho dokumentácii označuje, že ide o elektrické a elektronické zariadenie v zmysle smernice OEEZ (2012/19/ES), ktoré sa nesmie likvidovať spolu s bežným komunálnym odpadom. Likvidácia tohto spotrebiča s komunálnym odpadom je zakázaná. Máte niekoľko možností na likvidáciu:
  1. Miestna samospráva zriadila zberné strediská, v ktorých možno bezplatne odovzdať staré spotrebiče.
  2. Pri kúpe nového produktu predajca odvezie váš starý spotrebič.
  3. Výrobca bezplatne vyzdvihne starý spotrebič na likvidáciu.
  4. Keďže staré spotrebiče obsahujú cenné suroviny, možno ich predať v zberniach kovového odpadu. Neriadená likvidácia odpadu v lesoch a na poliach ohrozuje vaše zdravie, pretože môže dôjsť k úniku škodlivých látok do podzemnej vody a ich vstupu do potravinového reťazca.

Tento produkt obsahuje fluórované plyny v zmysle Kjótskeho protokolu

Chemický názov plynu	R32
Možný vplyv plynu na globálne otepľovanie	675

### UPOZORNENIE

1. Priložený štítok chladiacej zmesi prilepte do blízkosti miesta naplňania/obnovy.
2. Pomocou nezmazateľného atramentu na štítok zreteľne napíšte množstvo chladiacej zmesi potrebnej na naplňanie.
3. Zabráňte úniku fluórovaného plynu. Zabezpečte, aby počas montáže, servisu alebo likvidácie nedošlo k úniku plynu do atmosféry. Ak sa zistí únik fluórovaného plynu, je potrebné ho čo najskôr zastaviť a opraviť.
4. Servis tohto produktu smú vykonávať len kvalifikovaní pracovníci.
5. Pri manipulácii s fluórovaným plynom v tomto produkte, napríklad pri presúvaní produktu alebo dopĺňaní plynu, sa musí vždy postupovať v súlade s nariadením (ES) č. 517/2014 o určitých fluórovaných skleníkových plynoch a príslušnými miestnymi predpismi.
6. V prípade nainštalovaného systému detekcie únikov je nutné najmenej raz za 12 mesiacov skontrolovať, či nedochádza k únikom.
7. Dôrazne sa odporúča, aby sa viedla riadna evidencia záznamov všetkých vykonaných kontrol prípadných únikov.

Interiérová jednotka	Exteriérová jednotka	Menovité napätie a frekvencia
42QHP09E8S-1	38QHP09E8S-1	220-240V~, 50Hz
42QHP12E8S-1	38QHP12E8S-1	

Výrobca si vyhradzuje právo na zmenu špecifikácií výrobku bez predchádzajúceho upozornenia.

## OBSAH

<b>1. PRÍPRAVA NA INŠTALÁCIU</b> .....	<b>3</b>
1.1 Bezpečnostné opatrenia .....	3
1.2 Príslušenstvo .....	5
1.3 Výber miesta inštalácie .....	6
<b>2. INŠTALÁCIA INTERIÉROVEJ JEDNOTKY</b> .....	<b>7</b>
2.1 Montážny panel interiérovej jednotky .....	7
2.2 Postup montáže .....	8
<b>3. INŠTALÁCIA EXTERIÉROVEJ JEDNOTKY</b> .....	<b>9</b>
3.1 Montážne rozmery exteriérovej jednotky .....	9
3.2 Požiadavky na priestor pre exteriérovú jednotku .....	9
3.3 Zapojenie vedenia exteriérovej jednotky .....	10
3.4 Inštalácia exteriérovej jednotky .....	10
3.5 Inštalácia odtokového potrubia pre exteriérovú jednotku .....	10
<b>4. ÚDRŽBA CHLADIACEHO POTRUBIA</b> .....	<b>11</b>
4.1 Spoje .....	11
4.2 Údržba potrubia .....	11
4.3 Potrubie chladiva .....	12
4.4 Odsávanie vzduchu .....	12
4.5 Skúška tesnosti .....	12
<b>5. ELEKTRICKÉ ZAPOJENIE</b> .....	<b>13</b>
<b>6. ZÁVEREČNÁ KONTROLA A SKÚŠOBNÁ PREVÁDZKA</b> .....	<b>14</b>
6.1 Zoznam záverečných kontrol.....	14
6.2 Manuálna prevádzka.....	14
6.3 Skúšobná prevádzka .....	14
<b>7. INFORMÁCIE O VYKONÁVANÍ SERVISU</b> .....	<b>15</b>



Upozornenie: **Nebezpečenstvo požiaru**  
iba pre chladivo R32/R290

## 1.1 BEZPEČNOSTNÉ OPATRENIA

- Montáž, uvedenie do prevádzky a servis klimatizačných zariadení môžu byť nebezpečné z dôvodu vysokého tlaku v systéme, prítomnosti elektrických komponentov a polohy zariadení (strechy, vyvýšené miesta atď.).
- Montáž, uvádzanie do prevádzky a servis týchto zariadení by mali vykonávať len kvalifikovaní pracovníci.
- Pri práci so zariadeniami dodržiavajte bezpečnostné opatrenia uvedené v dokumentácii a na štítkoch, nálepkách a označeniach na zariadeniach.
- Dodržiavajte všetky bezpečnostné predpisy. Používajte ochranné okuliare a pracovné rukavice. Pri spájkovaní majte poruke hasiaci prístroj alebo iný vhodný hasiaci prostriedok. Pri manipulácii, montáži a presúvaní veľkých zariadení postupujte opatrne.
- Dôkladne si preštudujte tieto pokyny a dbajte na varovania a výstrahy uvedené v dokumentácii a na zariadení. Preštudujte si miestne stavebné a elektroinštalačné predpisy.

### VAROVANIE

Tento symbol označuje riziko poranenia alebo úmrtia.

- **Chladiaci plyn je ťažší než vzduch a vytláča kyslík. Rozsiahly únik môže mať za následok nedostatok kyslíka, najmä v suterénoch, a s tým súvisiace riziko udusenia.**
- **Keď je klimatizácia nainštalovaná v malej miestnosti, prijmite vhodné opatrenia, aby ste zabezpečili, že koncentrácia unikajúcej chladiacej zmesi v miestnosti nepresahuje kritickú úroveň.**
- **Ak počas inštalácie dôjde k úniku chladiaceho plynu, miestnosť okamžite vyvetrajte.**  
Chladiaci plyn môže v styku s plameňom z ohrievačov, sporákov a varičov produkovať jedovaté výpary. Tieto výpary môžu spôsobiť vážne poranenia alebo smrť.
- **Pred vykonávaním elektroinštalácie zariadenie odpojte od zdroja napájania. Spojovací kábel pripojte správne.**  
Nesprávne zapojenie môže mať za následok poškodenie elektrických dielov.
- **Na elektrické pripojenie použite špeciálne káble a vodiče pripojte pevne k pripájacím blokom v svorkovnici tak, aby svorky neboli vystavené vonkajšej sile.**
- **Uistite sa, že je pripojené uzemnenie.**  
Uzemnenie nezapájajte k plynovému alebo vodovodnému potrubiu, bleskozvodu, ani telefónnemu vedeniu. Nesprávne uzemnenie môže mať za následok riziko zásahu elektrickým prúdom a s tým súvisiace poranenia alebo smrť.
- **Obalové materiály bezpečne zlikvidujte.**  
Obalové materiály obsahujúce klince, drevené alebo kovové časti môžu spôsobiť rezné a iné poranenia. Plastové obalové fólie roztrhajte a zlikvidujte, aby sa s nimi nemohli hrať deti. Vystavovali by sa riziku udusenia.
- **Zariadenie nemontujte v blízkosti vysokej koncentrácie horľavých plynov alebo výparov.**
- **Použite len dodané montážne diely alebo diely uvedené v dokumentácii.**  
Použitie iných dielov by mohlo spôsobiť uvoľnenie zariadenia, presakovanie vody, zásah elektrickým prúdom, požiar alebo poškodenie zariadenia.
- **Pri montáži alebo premiestňovaní systému zabráňte vniknutiu vzduchu alebo iných látok do chladiaceho okruhu (okrem chladiacej zmesi R410A).**
- **Jednotku neupravujte odstraňovaním bezpečnostných poistiek ani obchádzaním poistných prepínačov.**
- **Elektroinštaláciu je potrebné vykonať v súlade s návodom na inštaláciu a príslušnými predpismi.**

### VAROVANIE

- **Použite samostatný elektrický okruh. Do zásuvky, v ktorej je zapojené zariadenie, nezapájajte ďalšie spotrebiče.**
- **Aby sa zabránilo nechcenému aktivovaniu termálnej poistky, tento spotrebič sa nesmie zapájať do externého spínacieho zariadenia, ako je napríklad zásuvka s časovačom, ani pripájať k okruhu, ktorý sa pravidelne vypína a zapína.**
- **Na elektrické vedenie použite predpísané káble s dostatočne tepelne dimenzovanou izoláciou.** Nepovolené káble môžu spôsobiť elektrický únik, nezvyčajnú tvorbu tepla alebo požiar.
- **Na urýchlenie procesu rozmrazovania alebo na čistenie nepoužívajte iné prostriedky, ktoré neodporúča výrobca.**
- **Spotrebič by mal byť umiestnený v miestnosti bez zdrojov vznietenia (napr. otvorený oheň, plynové spotrebiče, elektrické ohrievače).**
- **Izoláciu neprepichujte ani nepáľte.**
- **Chladivá nemusia mať zápach.**
- **Spotrebič sa musí umiestniť v dobre vetranej miestnosti, ktorá svojou rozlohou zodpovedá údajom predpísaným na prevádzku.**
- **Pre modely s chladivom R32:**  
Spotrebič sa musí namontovať, prevádzkovať a skladovať v miestnosti s rozlohou viac ako 4 m<sup>2</sup>. Spotrebič sa nesmie montovať v miestnosti bez vetrania, pokiaľ je jej rozloha menej ako 4 m<sup>2</sup>.
- **Pre modely s chladivom R290 je minimálna rozloha miestnosti:**  
<= 9000 Btu/h: 13 m<sup>2</sup>  
> 9000 Btu/h <= 12000 Btu/h: 17 m<sup>2</sup>  
>12000 Btu/h a <= 18000 Btu/h: 26 m<sup>2</sup>  
> 18000 Btu/h a <= 24000 Btu/h: 35 m<sup>2</sup>

### UPOZORNENIE

Tento symbol označuje riziko poškodenia majetku alebo závažných následkov.

- **Pri manipulácii s ostrými hranami buďte opatrní, aby ste sa vyhlí poraneniu.**
- **Interiérovú ani exteriérovú jednotku nemontujte na miesta s osobitnými podmienkami prostredia.**
- **Zariadenie nemontujte na miesta, ktoré by mohli zosilniť hlučnosť jednotky, ani na miesta, kde by hluk a vypúšťaný vzduch mohli rušiť susedov.**
- **Odvodnenie/údržbu potrubia vykonávajte bezpečne podľa návodu na inštaláciu.**  
Nesprávne nainštalované odtokové potrubie môže mať za následok úniky vody a poškodenie majetku.
- **Klimatizáciu neinštalujte na nižšie uvedených miestach.**
  - Miesto, kde sa nachádza minerálny olej alebo kyselina arzeničná.
  - Miesto, kde sa môže hromadiť alebo zbierať korozívny plyn (napr. plyn kyseliny siričitej) alebo horľavý plyn (napr. riedidlo) alebo tam, kde sa manipuluje s prchavými horľavými látkami.
  - Miesto, kde je zariadenie, ktoré generuje elektromagnetické polia alebo vysokofrekvenčné harmonické signály.
- **Spotrebič by mal byť umiestnený tak, aby sa predišlo jeho mechanickému poškodeniu.**
- **Osoby manipulujúce s chladiacim okruhom by mali disponovať platným osvedčením od príslušného orgánu potvrdzujúcim ich kvalifikáciu bezpečne narábať s chladivami v súlade s príslušnými predpismi.**

## 1.2 PRÍSLUŠENSTVO

S jednotkou sa dodáva nižšie uvedené príslušenstvo. Typ a množstvo sa môžu líšiť v závislosti od špecifikácií.

Názov príslušenstva	Počet (ks)	Náhľad	Názov príslušenstva	Počet (ks)	Náhľad
Návod na použitie	3		Diaľkový ovládač	1	
Vypúšťací nátrubok	1		Batéria	2	
Tesnenie	1		Držiak diaľkového ovládača	1	
Inštalračný panel	1		Skrutka B	2	
Kotva	5		Malý filter	1	
Skrutka A	5		Magnetický krúžok (niektoré zariadenia)	N*	

\*v závislosti od skutočného množstva

## 1.3 VÝBER MIESTA INŠTALÁCIE

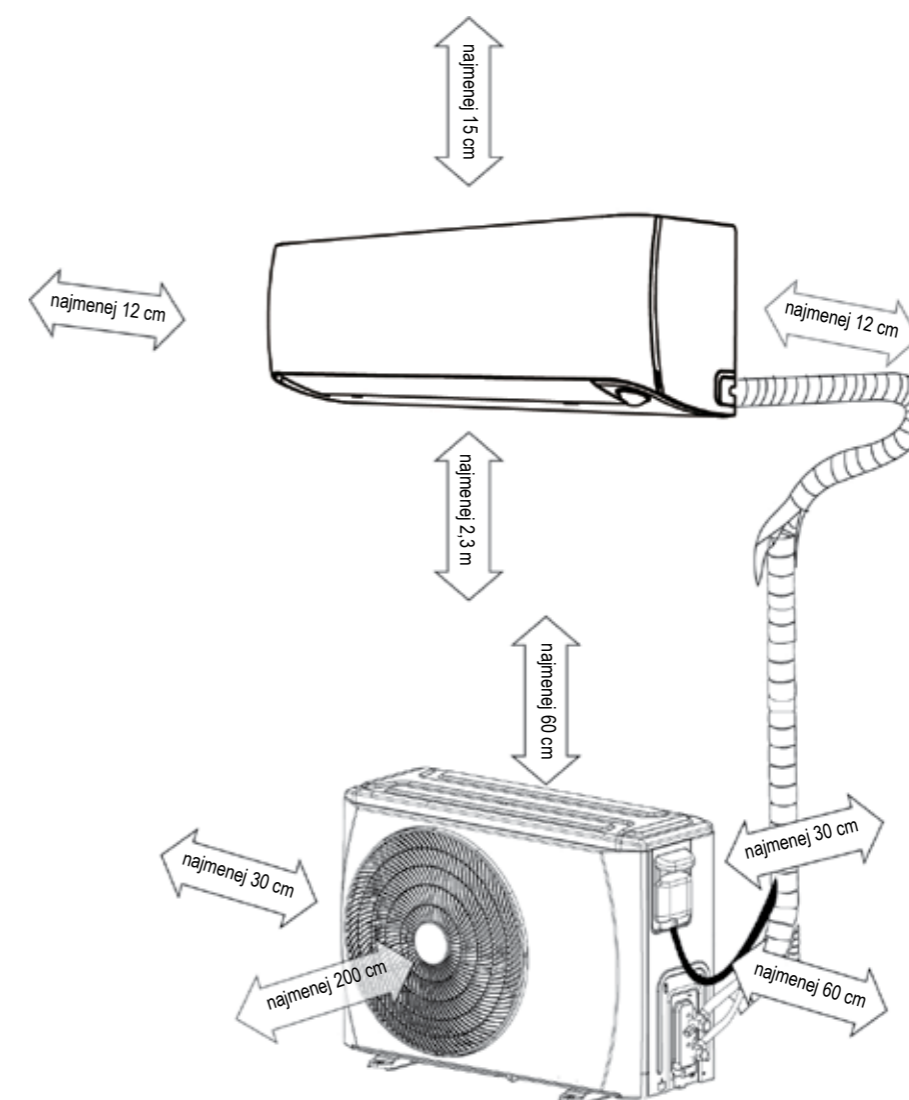
### Interiérová jednotka

- Miesto, ktoré unesie váhu interiérovej jednotky.
- Interiérové jednotky nemontujte do blízkosti zdrojov priameho tepla, ako je priamy slnečný svit alebo vykurovacie spotrebiče.
- Miesto, kde je možné dodržať vzdialenosti znázornené na obrázku nižšie.
- Pohyblivé časti spotrebiča sa musia namontovať/nachádzať najmenej 2,3 m nad podlahou.

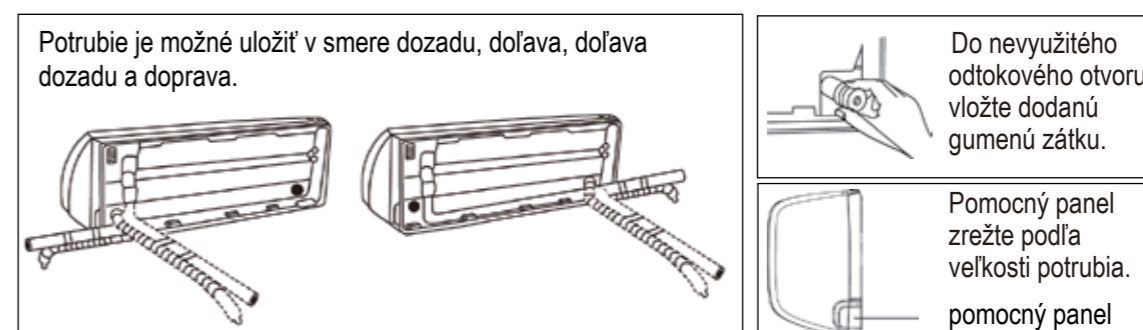
### Exteriérová jednotka

- Miesto, ktoré je na účely montáže ľahko prístupné a nie je vystavené vetru. Ak bude jednotka vystavená silnému vetru, odporúča sa použiť vetrolam.
- Miesto, ktoré unesie váhu exteriérovej jednotky a na ktorom ju možno namontovať v rovnej polohe.
- Miesto, kde je možné dodržať vzdialenosti znázornené na obrázku nižšie.

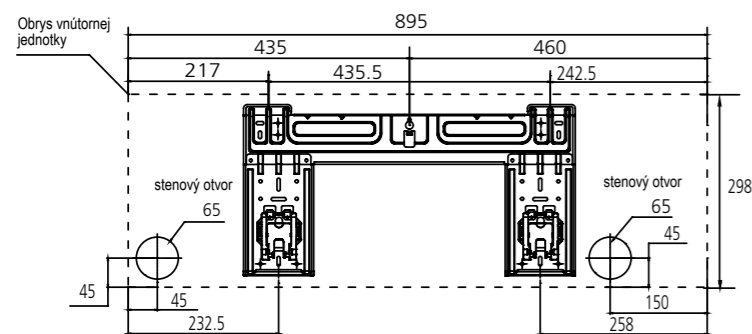
Interiérovú ani exteriérovú jednotku nemontujte na miesta s osobitnými podmienkami prostredia. Uistite sa, že je dostatok miesta na inštaláciu a údržbu.



Poznámka: Dodržiavajte vzdialenosti od stien, stropu a prekážok vyznačené šípkami.



## 2.1 MONTÁŽNY PANEL INTERIÉROVEJ JEDNOTKY

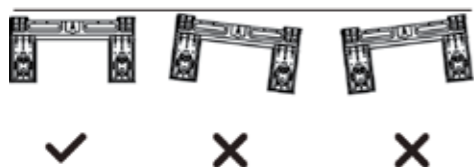


Jednotka: mm

Poznámka: Keď má spojovacia hadica plyného okruhu priemer  $\varnothing$  16 mm alebo viac, otvor na hadicu by mal mať priemer 90 mm.

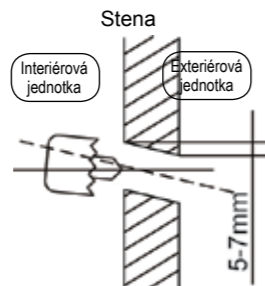
### Upevnenie montážneho panela

Montážny panel upevnite na stenu do vodorovnej, vyrovnanej polohy. Na upevnenie použite päť alebo viac skrutiek typu A.



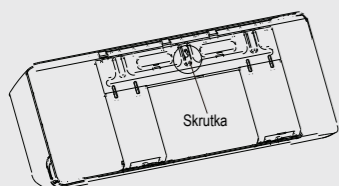
### Vyvírtanie otvoru do steny

Do steny vyvírtajte otvor s hĺbkou 65 mm alebo 90 mm (podľa modelu) mierne naklonený do vonkajšej strany.



Poznámka:

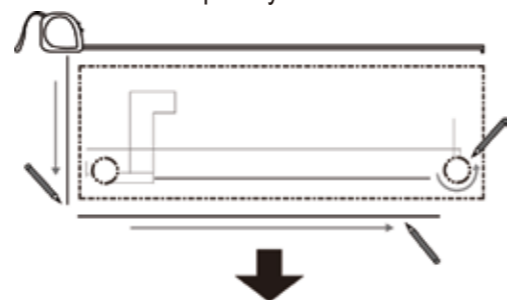
■ Inštalčný panel je kvôli zaisteniu pri preprave pripevnený skrutkou. Pred inštaláciou skrutku demontujte. (pozri obrázok)



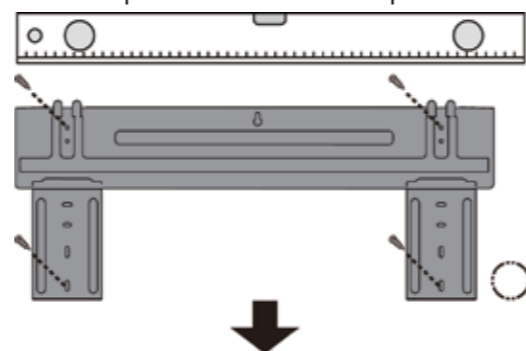
■ V závislosti od veľkosti jednotky bude montážny panel vyzeráť tak ako jeden z montážnych panelov na obrázku. Rozmer otvorov na upevnenie kotiev by mal byť 5 mm.

## 2.2 POSTUP MONTÁŽE

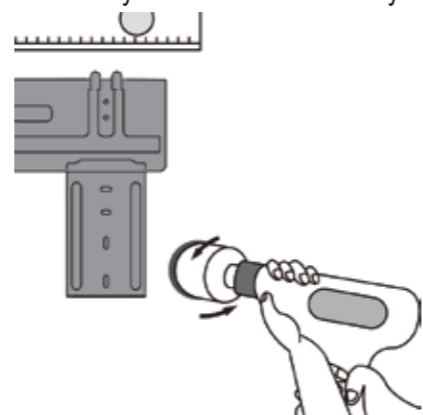
Krok 1: Určenie polohy otvoru v stene



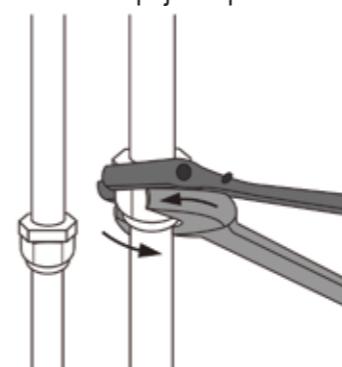
Krok 2: Upevnenie montážneho panela



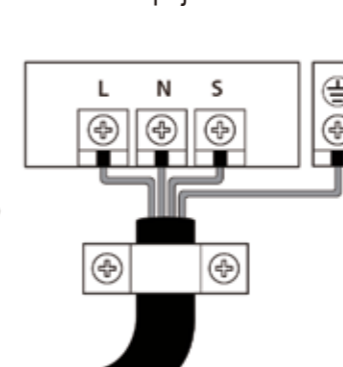
Krok 3: Vyvírtanie otvoru do steny



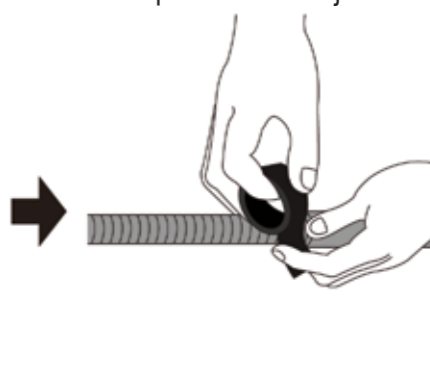
Krok 4: Pripojenie potrubia



Krok 5: Pripojenie vodiča



Krok 6: Príprava odtokovej hadice



Krok 8: Zavesenie interiérovej jednotky

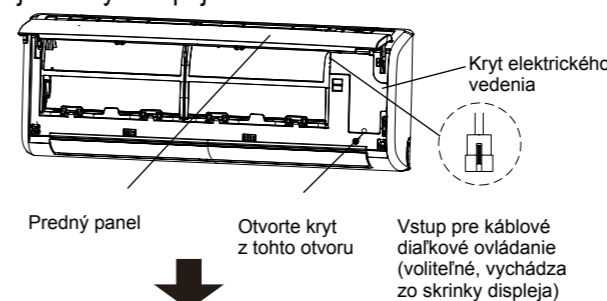


Krok 7: Obalenie potrubia a kábľa



### Zapojenie vedenia interiérovej jednotky

1. Zdvihnite predný panel interiérovej jednotky.
2. Pomocou skrutkovača otvorte kryt elektrického panelu interiérovej jednotky, rukou zložte kryt svorkovnice a uvoľnením skrutiek odstráňte káblu svorku.
3. Spojovacie vodiče vedte zo zadnej strany interiérovej jednotky a zapojte ich do svorkovnice.



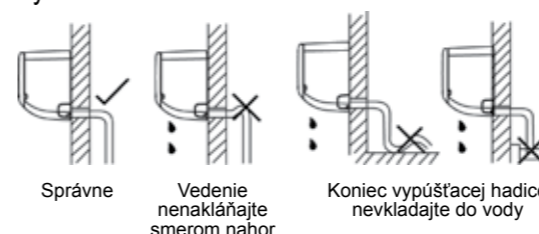
Predný panel  
Otvorte kryt z tohto otvoru  
Vstup pre káblové diaľkové ovládanie (voliteľné, vychádza zo skrinky displeja)



Káblu svorka  
Kryt svorkovnice  
Skrutka  
Kryt kabelážnej skrine  
Skrutka

### Odvod vody

Odtokové potrubie nesmie byť prelomené, musí smerovať mierne nadol a až po vonkajšiu stenu musí byť izolované.

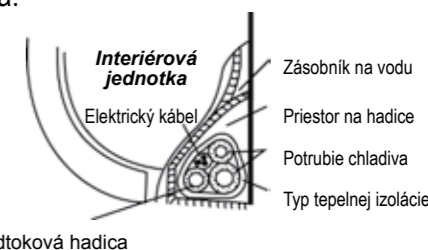


Správne  
Vedenie nenakláňajte smerom nahor  
Koniec vypúšťacej hadice nekladajte do vody

### Hadicu obalte

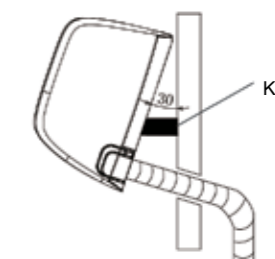
Správnu orientáciu potrubia chladiva, elektrického vedenia a odtokového potrubia nájdete na obrázku nižšie:

- Vypúšťaciu hadicu umiestnite pod vedenie chladiva.
- Skontrolujte, či vypúšťacia hadica nie je skrútená alebo zvlnená.



### Zavesenie interiérovej jednotky

1. Potrubie chladiva preveďte cez otvor v stene.
2. Interiérovú jednotku zaveste na horný hák montážneho panelu, následne zdvihnite spodnú časť interiérovej jednotky a zaveste ju na dolný hák.
3. Interiérovou jednotkou pohýbte zo strany na stranu a zhora nadol, aby ste skontrolovali, či je bezpečne zavesená.



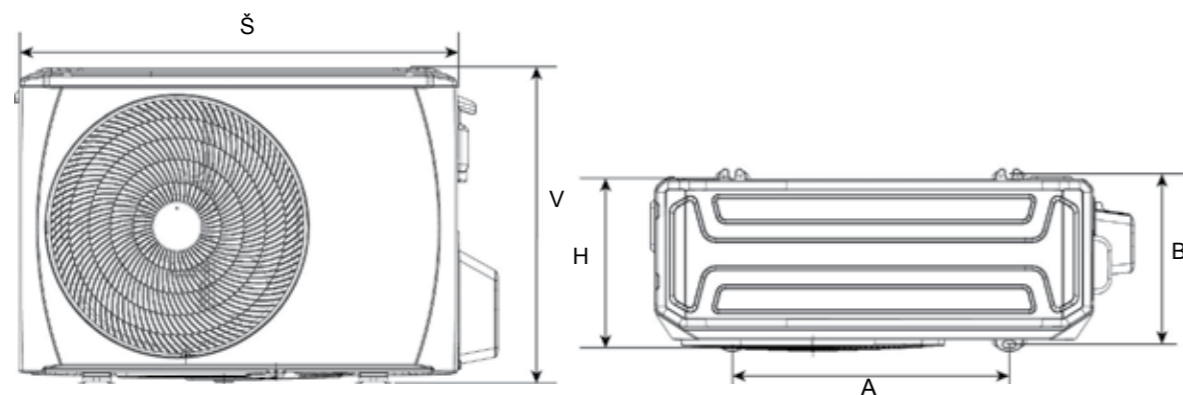
### UPOZORNENIE

■ Pripojovacie časti pripojného potrubia musia byť umiestnené mimo miestnosti.

### 3. INŠTALÁCIA EXTERIÉROVEJ JEDNOTKY

#### 3.1 MONTÁŽNE ROZMERY EXTERIÉROVEJ JEDNOTKY

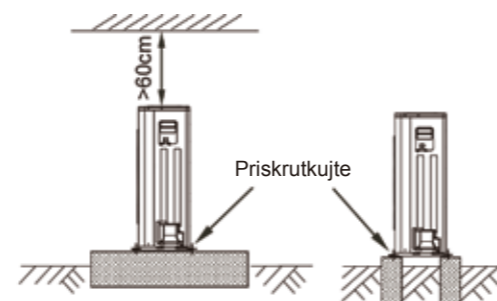
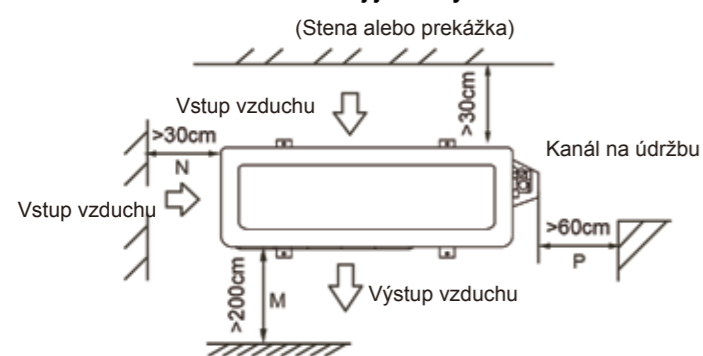
Montážne rozmery sa v závislosti od jednotlivých exteriérových jednotiek líšia. Priemer hlavy upevňovacej skrutky by mal byť viac ako 12 mm.



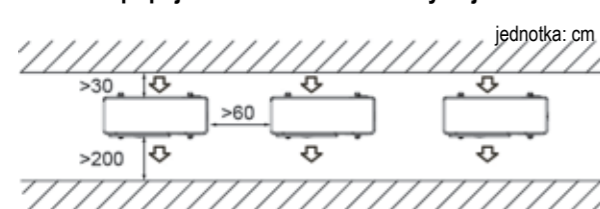
Rozmery exteriérovej jednotky (mm)				Montážne rozmery (mm)	
Exteriérová jednotka	Š	V	H	A	B
38QHP09E8S-1 38QHP12E8S-1	805	554	330	511	317

#### 3.2 POŽIADAVKY NA PRIESTOR PRE EXTERIÉROVÚ JEDNOTKU

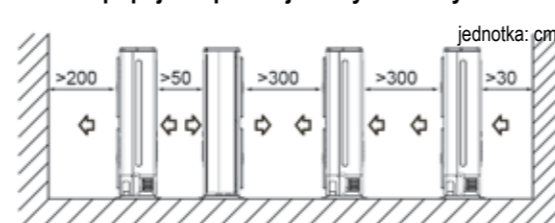
##### Inštalácia samostatnej jednotky



##### Paralelné pripojenie dvoch alebo viacerých jednotiek



##### Paralelné pripojenie prednej strany so zadnými stranami



#### UPOZORNENIE

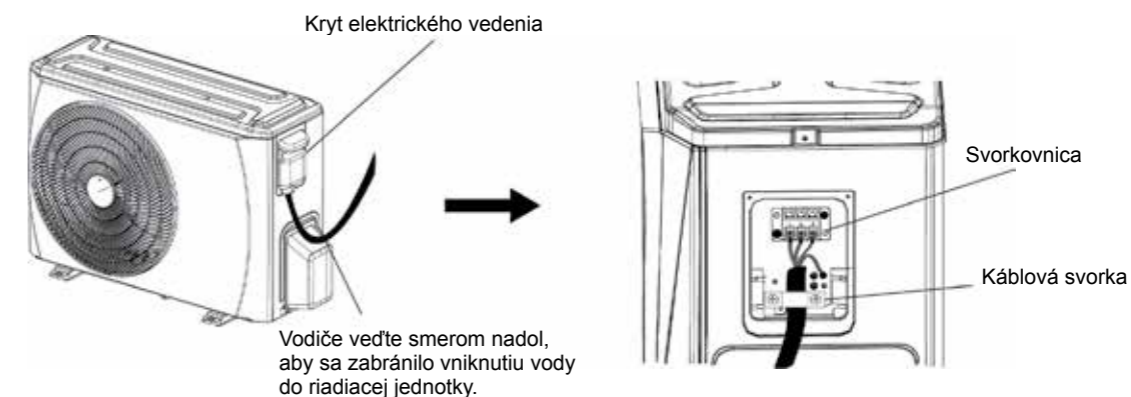
- V oblastiach so snehovými zrážkami a nízkymi teplotami exteriérovú jednotku neinštalujte na miesta, na ktorých by ju mohol zakryť sneh. Ak sa očakávajú intenzívne snehové zrážky, namontujte samostatne zakúpený stojan a/alebo vetrolam na zabránenie nahromadeniu snehu a zablokovaniu prístupu vzduchu.

### 3. INŠTALÁCIA EXTERIÉROVEJ JEDNOTKY



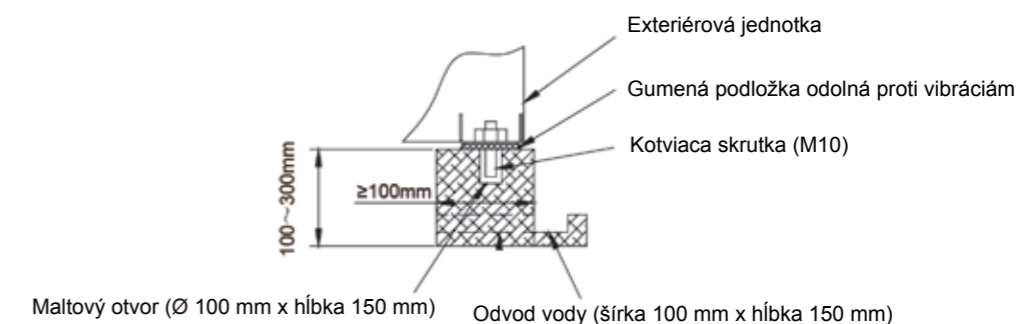
#### 3.3 ZAPOJENIE VEDENIA EXTERIÉROVEJ JEDNOTKY

- Povolením príslušných skrutiek odmontujte kryt vedenia a káblóv svorku.
- Vodiče zapojte do svorkovnice v rovnakom poradí ako v prípade interiérovej jednotky.



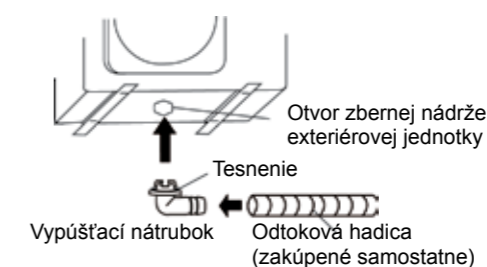
#### 3.4 INŠTALÁCIA EXTERIÉROVEJ JEDNOTKY

- Pred inštaláciou skontrolujte silu a horizontálnu polohu základne, aby zariadenie nevydávalo abnormálny zvuk.
- Pripevnite základňu pevne pomocou kotviacich skrutiek (M10), aby ste zabránili jej spadnutiu.
- Nainštalujte základňu a gumené podložky odolné proti vibráciám na priamu podporu spodnej plochy upevňovacej nohy, ktorá je v kontakte so spodnou doskou exteriérovej jednotky.



#### 3.5 INŠTALÁCIA ODTOKOVÉHO POTRUBIA PRE EXTERIÉROVÚ JEDNOTKU

- V prípade potreby k vypúšťacej hadici pripojte predlžovaciu hadicu.
- Na koniec vypúšťacej hadice namontujte tesnenie.
- Vypúšťaciu hadicu zasuňte do otvoru zbernej nádrže exteriérovej jednotky a otočením o 90 stupňov ju uzamknite.





## UPOZORNENIE

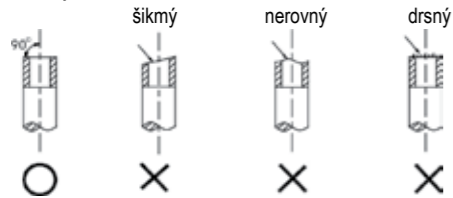
- Skontrolujte, či výškový rozdiel medzi interiérovou jednotkou a exteriérovou jednotkou a celková dĺžka chladiaceho potrubia spĺňajú systémové požiadavky.
- Údržba chladiaceho potrubia sa riadi inštaláciou interiérovej jednotky a inštalácie exteriérovej jednotky, pripojením rúrky najskôr k vnútornej strane a potom k vonkajšej strane.
- Vždy počas inštalácie udržiavajte konce potrubí uzavreté umiestnením krytky alebo zakrytím páskou a nevyberajte ich, kým nie ste pripravení na pripojenie potrubia.
- Uistite sa, že je zaizolované každé vonkajšie potrubie po celej dĺžke až k pripojeniu potrubia v interiérovej jednotke. Obnažené potrubie môže pri dotyku spôsobovať kondenzáciu alebo popáleniny.
- Ak je exteriérová jednotka v najvyššej pozícii a výškový rozdiel je viac ako 10 metrov, odporúča sa zabezpečiť spätné vedenie oleja každých približne 5 až 8 metrov plynového vedenia. Polomer spätného vedenia musí byť väčší ako 10 cm.

## 4.1 SPOJE

### POZNÁMKA

- Na vytvorenie spojov sú potrebné tieto nástroje: rezačka na rúrky, výstružník, rozširovací nástroj a držiak rúrky.
- V prípade modelov chladiva R32 musia byť spojovacie body potrubia umiestnené mimo miestnosti.

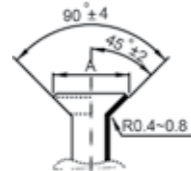
4.1.1 Použitie rezačky na rúrky na skrátenie rúrky na požadovanú dĺžku. Uistite sa, že zrezaný okraj zostáva pod uhlom 90° s bočnou stranou rúrky.



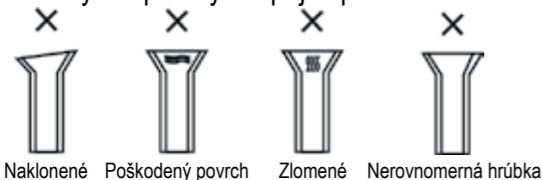
4.1.2 Pomocou výstružníka odstráňte otrepy so zrezanou plochou smerom dole tak, aby odrezky nevstupovali do potrubia.

4.1.3 Vykonať rozšírenie pomocou rozširujúcich nástrojov, ako je uvedené nižšie.

Vonkajší priemer	A (mm)	
	Max.	Min.
Ø 6,35 mm	8,7	8,3
Ø 9,52 mm	12,4	12,0
Ø 12,7 mm	15,8	15,4
Ø 15,88 mm	19,0	18,6
Ø 19,05 mm	23,3	22,9



4.1.4 Skontrolujte, či sú spoje vykonané správne. Pozrite si ukážky nesprávnych spojov potrubí nižšie.

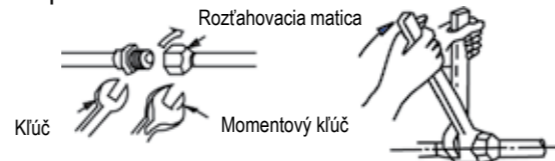


## UPOZORNENIE

- V prípade potreby tvrdého spájkovania použite fúkanie plyného dusíka.
- Nesprávny krútiaci moment môže spôsobiť poškodenie spojov alebo únik plynu.

## 4.2 VEDENIE POTRUBIA

4.2.1 Zarovnajte stred a dotiahnite rozťahovaciu maticu pomocou dvoch kľúčov.



Veľkosť potrubia	Uťahovací moment
Ø 6,35 mm	18 – 20 Nm
Ø 9,52 mm	25 – 26 Nm
Ø 12,7 mm	35 – 36 Nm
Ø 15,88 mm	45 – 47 Nm
Ø 19,05 mm	65 – 67 Nm

4.2.2 Zvoľte vhodný izolačný materiál na hadicu chladiva. (min. 10 mm, tepelno-izolačná pena C)

- Na plynové a kvapalinové potrubie použite samostatné tepelnoizolačné rúrky.
- Vyššie uvedená hrúbka je štandardná pri vnútornej teplote 27 °C a vlhkosti 80 %. V prípade inštalácie v nepriaznivých podmienkach, ako je v blízkosti kúpeľní, kuchýň a ďalších podobných miest, posilnite izoláciu.
- Tepelný odpor izolácie by mal byť vyšší ako 120 °C.
- Na spojovacie časti izolácie použite lepidlo, aby sa zabránilo prenikaniu vlhkosti.
- Opravte a zakryte prípadné trhliny v izolácii a skontrolujte hlavne ohnutú časť alebo záves potrubia.

## 4.3 POTRUBIE CHLADIVA

Poznámka: Chladivo by sa malo nabíjať zo servisného portu na nízkotlakovom ventile vonkajšej jednotky.

	Minimálna dĺžka na zníženie abnormálnych vibrácií a hluku	Prednaplnená dĺžka potrubia	Dopĺňané množstvo chladiva na meter	
			Kvapalný okruh: Ø 6,35 mm	Kvapalný okruh: Ø 9,52mm
R32*	3 m	5 m	12 g	24 g

\* Použite nástroje vhodné pre systém R32.

### POZNÁMKA

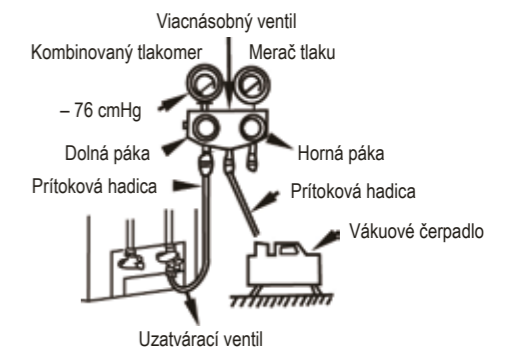
- Dĺžka predlžovacieho potrubia bude mať vplyv na kapacitu a energetickú účinnosť jednotky.
- Menovitá účinnosť sa testuje s hadicou s dĺžkou 5 metrov.
- Ak je dĺžka potrubia viac než 5 m, malo by sa pridať ďalšie chladivo v závislosti od dĺžky potrubia.
- Nižšie sa uvádza odporúčaná maximálna dĺžka potrubia.

Modely	Invertorové zariadenia s chladivom R32	
	Maximálna dĺžka potrubia (m)	Max. výškový rozdiel (m)
9K/12K	25	10

\* Použite nástroje vhodné pre systém R32.

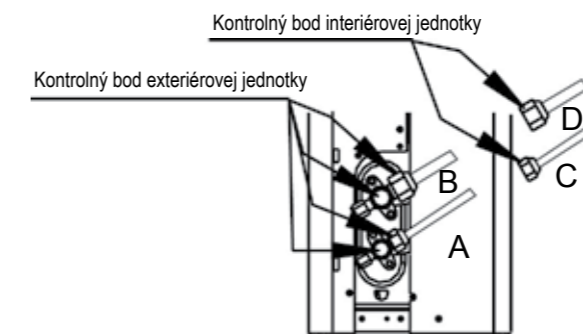
## 4.4 ODSÁVANIE VZDUCHU

- Pripojte prítokovú hadicu vedúcu od viacnásobného ventilu k servisnému portu uzatváracieho ventilu na strane plyného okruhu.
- Pripojte prítokovú hadicu k ventilu vákuového čerpadla.
- Úplne otvorte dolnú páku viacnásobného ventilu.
- Vákuovým čerpadlom odčerpávajte zo systému vzduch, až kým sa nedosiahne hodnota 76 cmHg.
- Zatvorte dolnú páku viacnásobného ventilu.
- Úplne otvorte driek uzatváracích ventilov.
- Prítokovú hadicu odpojte od servisného portu.
- Dotiahnite uzávery uzatváracieho ventilu.



## 4.5 SKÚŠKA TESNOSTI

Po dokončení inštalácie potrubia skontrolujte pripojenie každého potrubia na chladivo a pomocou mydlovej vody alebo pomocou detektora úniku špeciálneho pre chladivo HFC sa uistite, že nedochádza k žiadnemu úniku plynu. Pozri obrázok nižšie na ilustráciu.



A: Nízkotlakový uzatvárací ventil  
C a D: Spájacie matice interiérovej jednotky

B: Vysokotlakový uzatvárací ventil

## UPOZORNENIE

- Všetky elektrické pripojenia musia byť vykonané kvalifikovanými technikmi a všetky káble musia byť pripojené podľa schémy zapojenia.
- Pred akýmkoľvek iným elektrickým pripojením vykonajte uzemnenie.
- Pred vykonaním elektrického zapojenia musia byť vypnuté všetky zdroje napájania a napájanie nesmie byť zapnuté, kým si nie ste istí, že bola skontrolovaná bezpečnosť všetkých pripojení.
- Nainštalujte hlavný vypínač s ističom alebo poistkou s kapacitou najmenej 1,5-násobne vyššou než je maximálna hodnota prúdu v okruhu.
- K dispozícii musí byť samostatný okruh a samostatná zásuvka.
- Priemer kábla závisí od menovitej hodnoty prúdu a príslušných vnútroštátnych a miestnych predpisov o elektroinštaláciách. Preštudujte si miestne stavebné a elektroinštalčné predpisy.
- Aby sa predišlo ohrozeniu v prípade poškodenia napájacieho kábla, musí ho vymeniť výrobca, jeho servisný zástupca alebo iná podobne kvalifikovaná osoba.
- Zariadenie musí byť k zdroju napájania pripojené prostredníctvom ističa alebo spínača s oddelením kontaktov najmenej 3 mm na všetkých póloch. Takisto sa odporúča inštalácia prúdového chrániča, ktorého menovitý reziduálny pracovný prúd nepresahuje 30 mA.
- K tomuto spotrebiču je pripojené uzemnenie iba na funkčné účely.

## Menovité hodnoty prúdu jednotlivých modelov

Model	Menovitý prúd (A)	Menovitá kapacita poistky (A)	Prívodný kábel (s minimálnym priemerom)	Spojovací kábel (s minimálnym priemerom)
38QHP09E8S-1	13,0	20	3*1,5 mm <sup>2</sup>	5*1,5 mm <sup>2</sup>
38QHP12E8S-1	13,0	20	3*1,5 mm <sup>2</sup>	5*1,5 mm <sup>2</sup>

## UPOZORNENIE:

1. Priemer všetkých vodičov musí zodpovedať príslušným predpisom. Preštudujte si miestne stavebné a elektroinštalčné predpisy.
2. Pre exteriérovú jednotku a prepojenie jednotiek použite napájací kábel typu H07RN-F.
3. Menovitý prúd spotrebiča je uvedený na typovom štítku.
4. Špecifikácia poistky vonkajšej jednotky je T20A/250VAC (platí len pre jednotky adpot R32) Poznámka: Poistka je vyrobená z keramiky.



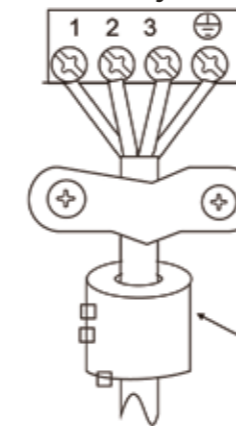
## Nákres elektroinštalácie

Model	Vnútrná jednotka	Vonkajšia jednotka
QHP09 QHP12	 Pre exteriér	 Pre interiér

## Montáž magnetického krúžku

Poznámka: Svorkovnica sa môže líšiť v závislosti od modelu.

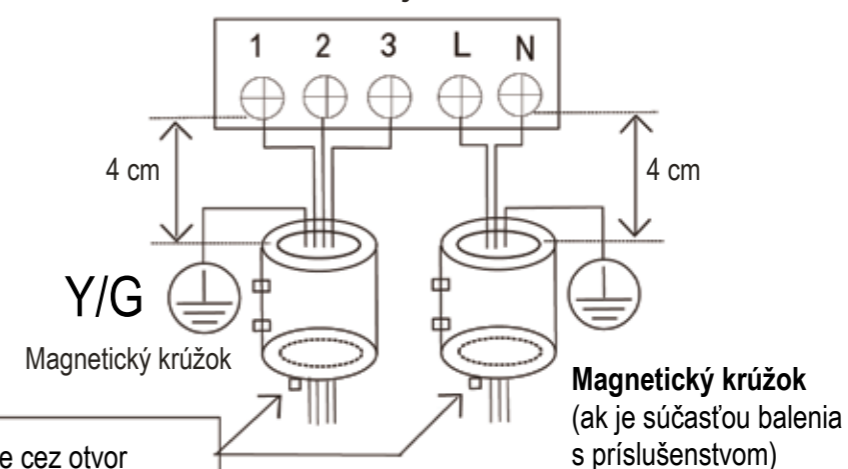
### Interiérová jednotka



### Magnetický krúžok

(ak je súčasťou balenia s príslušenstvom)  
Popruh prevlečte cez otvor magnetického krúžka a pripevnite ho na kábel

### Exteriérová jednotka

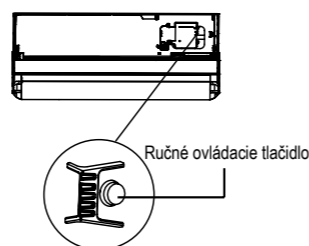


Popruh prevlečte cez otvor magnetického krúžka a pripevnite ho na kábel

### 6.1 ZOZNAM ZÁVEREČNÝCH KONTROL

Na dokončenie inštalácie pred skúšobnou prevádzkou vykonajte nasledujúce kontroly.

- Pevnosť miesta inštalácie tak na vnútornej, ako aj vonkajšej strane, uistite sa, že na výstupe alebo návrate vzduchu nie sú žiadne prekážky.
- Tesnosť pripojenie chladiaceho potrubia a uistite sa, že nedochádza k úniku
- Elektrické pripojenie káblov je správne dokončené a zariadenie je pripojené k uzemneniu
- Skontrolujte celkovú dĺžku potrubia a zaznamenajte si objem prídavnej chladiacej zmesi
- Napájacie napätie musí zodpovedať nominálnemu napätiu klimatizácie
- Izolácia potrubia
- Odvod vody



### 6.2 RUČNÁ OBSLUHA

Ručná obsluha je k dispozícii po stlačení tlačidla ručného ovládania.

Opakovaným stláčaním tlačidla ručného ovládania môžete prepínať medzi režimami:

- Jedno stlačenie = režim AUTO (vykurovanie, chladenie alebo ventilácia pri teplote 24 °C a automatickej rýchlosti otáčok ventilátora).
- Dve stlačenia = režim chladenia [po 30 minútach sa prepne do režimu AUTO (používa sa najmä na skúšobnú prevádzku)].
- Tri stlačenia = zariadenie sa vypne.

### 6.3 SKÚŠOBNÁ PREVÁDZKA

Diaľkovým ovládačom (alebo tlačidlom ručného ovládania) nastavte klimatizáciu na režim CHLADENIE a skontrolujte stav chodu interiérovej a exteriérovej jednotky. V prípade akejkoľvek poruchy vykonajte nápravu podľa kapitoly „Riešenie problémov“ v „Servisnej príručke“.

#### Interiérová jednotka

- Skontrolujte, či tlačidlá (napríklad ZAPNUTIE/YPNUTIE, REŽIM, TEPLOTA, RÝCHLOSŤ VENTILÁTORA atď.) na diaľkovom ovládaní fungujú dobre.
- Skontrolujte, či sa lamela pohybuje normálne.
- Skontrolujte, či je teplota v miestnosti nastavená správne.
- Skontrolujte, či kontrolky na paneli displeja fungujú normálne.
- Skontrolujte, či tlačidlo "manuálne" funguje správne.
- Skontrolujte, či sa voda odvádza správne.
- Skontrolujte, či počas prevádzky necítiť vibrácie alebo nepočuť nadmerný hluk.
- Skontrolujte, či interiérová jednotka funguje správne v režime chladenia alebo vykurovania.

#### Exteriérová jednotka

- Skontrolujte, či počas prevádzky necítiť vibrácie alebo nepočuť nadmerný hluk.
- Skontrolujte, či prúd vzduchu, hluk alebo kondenzovaná voda z klimatizácie negatívne neovplyvňujú okolie
- Skontrolujte, či nedochádza k úniku chladiacej zmesi.

#### ! UPOZORNENIE

- Po reštartovaní zariadenia bude spustenie kompresora oneskorené o cca 3 minúty kvôli ochrane.

### 7.1 KONTROLY PRIESTORU

Pred začatím prác na systéme obsahujúcom horľavé chladivá je potrebné vykonať bezpečnostné kontroly, aby sa minimalizovalo riziko vznietenia. V prípade opráv chladiaceho systému je pred začatím prác potrebné dodržiavať nasledujúce pokyny.

### 7.2 PRACOVNÝ POSTUP

Práce by sa mali vykonávať na základe kontrolovaného postupu, aby sa minimalizovalo riziko prítomnosti horľavého plynu alebo výparov.

### 7.3 PRACOVNÝ PRIESTOR

Personál údržby a osoby pracujúce v danom priestore by mali byť informované o povahe vykonávaných prác. Malo by sa predchádzať prácam v uzavretých priestoroch. Okolie pracovného priestoru by malo byť ohradené. Je potrebné zaistiť bezpečnosť pracovného priestoru kontrolou prítomnosti horľavého materiálu.

### 7.4 KONTROLA PRÍTOMNOSTI CHLADIVA

Pred výkonom prác aj počas nej je potrebné priestor kontrolovať vhodným detektorom chladiva, aby technik vedel o prípadných horľavých látkach v ovzduší. Zariadenie na zisťovanie úniku chladiva musí byť vhodné na použitie v prípade horľavých chladív, t. j. bez iskrenia, s primeraným utesnením a vlastným zabezpečením.

### 7.5 PRÍTOMNOSŤ HASIACEHO PRÍSTROJA

Ak je na chladiacom zariadení alebo súvisiacich dieloch potrebné vykonávať zvaracie alebo podobné práce, dispozícii musí byť vhodný hasiaci prístroj. V priestore naplňovania si pripravte práškový hasiaci prístroj alebo hasiaci prístroj na CO<sub>2</sub>.

### 7.6 ŽIADNE ZDROJE VZNIETENIA

Osoby vykonávajúce práce na chladiacom systéme obsahujúcom horľavé chladivo nesmie používať zdroje vznietenia spôsobom, ktorý by mohol viesť k riziku požiaru alebo výbuchu. Všetky možné zdroje vznietenia vrátane fajčenia by sa mali udržiavať v dostatočnej vzdialenosti od miesta montáže, opráv, demontáže a likvidácie, počas ktorých môže dôjsť k uvoľneniu horľavého chladiva do okolitého priestoru. Pred začatím prác je potrebné skontrolovať okolie zariadenia, aby sa v jeho blízkosti nehrozilo nebezpečenstvo požiaru alebo riziko vznietenia. Je potrebné rozmiestniť oznámenia „ZÁKAZ FAJČIŤ“.

### 7.7 VETRANIE

Pred prerušením systému alebo vykonávaním zvaracích či podobných prác zaistíte, aby bol daný priestor otvorený alebo dostatočne vetraný. Počas výkonu prác je potrebné zaistiť dostatočnú mieru vetrania. Vetrание by malo bezpečne rozptýliť uvoľnené chladivo a podľa možnosti ho odvieť do vonkajšej atmosféry.

### 7.8 KONTROLA CHLADIACEHO ZARIADENIA

V prípade výmeny elektrických komponentov je potrebné zaistiť, aby boli vhodné na určený účel a vyhovovali správnym technickým parametrom. Vo všetkých prípadoch je potrebné dodržiavať pokyny výrobcu týkajúce sa údržby a servisu. V prípade pochybností sa poraďte s technickým oddelením výrobcu. Nasledujúce kontroly je potrebné uskutočniť v prípade zariadení používajúcich horľavé chladivá:

- napíňaný objem je v súlade s rozlohou miestnosti, v ktorej sa nachádzajú diely obsahujúce chladivo;
- vetracie mechanizmy a vývody fungujú dostatočne a nie sú zablokované;
- ak sa používa nepriamy chladiaci okruh, je potrebné skontrolovať druhotné okruhy, aby sa zistila prípadná prítomnosť chladiva; označenia zariadenia musia byť stále viditeľné a čitateľné;
- nečitateľné označenia a symboly je potrebné vymeniť;
- hadica chladiva a podobné komponenty je potrebné namontovať na miesto, kde nebudú vystavené látkam spôsobujúcim ich koróziu, pokiaľ nie sú vyrobené z materiálov odolných voči korózii alebo vhodným spôsobom chránených voči jej účinkom.

### 7.9 KONTROLY ELEKTRICKÝCH ZARIADENÍ

Oprava a údržba elektrických komponentov by mala zahŕňať počiatočné bezpečnostné kontroly a inšpekcie komponentov. Ak sa zistí chyba, ktorá by mohla ohroziť bezpečnosť, daný okruh je potrebné odpojiť od elektriny, kým sa problém uspokojivo neodstráni. Ak chybu nemožno odstrániť okamžite, ale jej odstránenie je potrebné na pokračovanie v prevádzke, použite primerané náhradné riešenie. Túto udalosť je potrebné oznámiť vlastníčkovi zariadenia, aby boli všetky relevantné strany informované.

#### Počiatočné bezpečnostné kontroly:

- kondenzátory musia byť vybité: tento úkon je potrebné uskutočniť bezpečným spôsobom, aby sa predišlo iskreniu;
- pri napíňaní, vyčerpávaní a preplachovaní systému nesmú byť odhalené žiadne elektrické komponenty pod prúdom;
- uzemnenie nesmie byť prerušené.

### 7.10 OPRAVY UTESNENÝCH KOMPONENTOV

- 10.1 Počas opráv utesnených komponentov je zariadenie potrebné odpojiť od všetkých zdrojov napájania pred demontovaním utesnených krytov atď. Ak je napájanie zariadenia počas vykonávania servisu skutočne nevyhnutné, v najkritickejších bodoch je potrebné nainštalovať zariadenie na detekciu únikov, aby sa zaistilo varovanie pred možnou nebezpečnou situáciou.
- 10.2 Osobitnú pozornosť treba venovať nasledujúcim bodom, aby sa zaistilo, že pri práci na elektrických komponentoch nedôjde k takej zmene krytov, ktorá by znížila úroveň bezpečnosti. Ide najmä o poškodenie káblov, nadmerný počet spojov, koncovky nespĺňajúce pôvodné technické parametre, poškodenie tesnení, nesprávna montáž upchávok atď.
- Skontrolujte, či je zariadenie namontované dostatočne pevne.
  - Skontrolujte, či nedošlo k degradácii tesnení alebo tesniacich materiálov do takej miery, že už nespĺňajú svoj účel zabránenia vzniku horľavej atmosféry. Náhradné diely by mali byť v súlade s technickými parametrami výrobcu.

POZNÁMKA: Používanie tesniaceho silikónu môže znížiť efektivitu niektorých zariadení na detekciu netesností. Vnútorne zabezpečené komponenty nie je potrebné pred prácou na nich izolovať.

### 7.11 OPRAVY VNÚTORNE ZABEZPEČENÝCH KOMPONENTOV

Okruh nevystavujte indukčnému alebo kapacitnému zaťaženiu bez toho, aby ste vopred zaistili, že to nespôsobí prekročenie maximálnych povolených hodnôt napätia a prúdu. Vnútorne zabezpečené komponenty sú jediným druhom komponentov, na ktorých možno pracovať pod prúdom v prítomnosti horľavého plynu. Skúšobné zariadenie musí mať správne menovité hodnoty. Komponenty nahrádzajte iba dielmi uvedenými výrobcu. Iné diely by mohli mať za následok vznietenie chladiva v ovzduší.

### 7.12 KABELÁŽ

Skontrolujte, či kabeláž nebude vystavená opotrebovaniu, korózii, nadmernému tlaku, vibráciám, ostrým hranám alebo iným nepriaznivým účinkom prostredia. Táto kontrola by zároveň mala brať do úvahy účinky starnutia alebo nepretržitých vibrácií zo zdrojov, ako sú kompresory alebo ventilátory.

### 7.13 DETEKCIA HORĽAVÉHO CHLADIVA

Pri hľadaní alebo detekcii únikov chladiva sa za žiadnych okolností nesmú používať možné zdroje vznietenia. Halidová lampa (alebo iný detektor využívajúci otvorený plameň) sa nesmie používať.

### 7.14 SPÔSOBY DETEKČIE ÚNIKOV CHLADIVA

V prípade systémov s horľavým chladivom sa považujú za prijateľné nasledujúce spôsoby detekcie. Na detekciu horľavých chladív by sa mali používať elektronické detektory, no ich citlivosť nemusí vždy postačovať, resp. môže byť potrebná kalibrácia. (Detekčné zariadenie je potrebné kalibrovať v priestore bez prítomnosti chladiva). Zaisťte, aby detektor nebol možným zdrojom vznietenia a aby bol vhodný pre použité chladivo. Zariadenie na detekciu únikov chladiva je potrebné nastaviť na percentuálnu hodnotu LFL chladiva a kalibrovať na používané chladivo. Zároveň je potrebné skontrolovať správnu percentuálnu hodnotu plynu (max. 25 %). Kvapaliny na detekciu únikov chladiva sú vhodné na používanie s väčšinou chladív, ale prostriedky obsahujúce chlór by sa nemali používať, pretože by mohli reagovať s chladivom a spôsobiť koróziu medeného potrubia. Ak sa predpokladá únik chladiva, všetky otvorené plamene je potrebné odstrániť alebo zhasiť. Ak sa nájde únik chladiva vyžadujúci spájkovanie mosadzou, všetko chladivo je zo systému potrebné vyčerpať, resp. ho izolovať (pomocou uzatváracích ventilov) v časti systému, ktorá je dostatočne vzdialená od miesta úniku. Následne je systém potrebné prečistiť dusíkom bez obsahu kyslíka, a to pred procesom spájkovania, aj počas neho.

### 7.15 ODSTRÁNENIE A ODČERPANIE VZDUCHU

Pri prerušovaní okruhu chladiva na účely opráv alebo na iné podobné účely je potrebné dodržiavať bežné postupy. Týmto činnostiam však treba venovať zvýšenú pozornosť, pretože hrozí riziko vznietenia. Je potrebné dodržiavať nasledujúce postupy:

- odstránenie chladiva;
- prečistenie okruhu chemicky neaktívnym plynom;
- odčerpanie vzduchu;
- opätovné prečistenie chemicky neaktívnym plynom;
- otvorenie okruhu rezom alebo spájkovaním mosadzou.

Chladivo je potrebné vyčerpať do správnych nádob. Systém je potrebné prečistiť dusíkom bez obsahu kyslíka, aby sa zaistila bezpečnosť zariadenia. Tento proces môže byť potrebné niekoľkokrát zopakovať.

Na tento účel sa nesmie používať stlačený vzduch alebo kyslík.

Prečistenie sa vykonáva narušením vákuu v systéme pomocou dusíka bez obsahu kyslíka a pokračovaním v napíňaní, kým nedôjde k dosiahnutiu pracovného tlaku. Následne je plyn potrebné vypustiť do atmosféry a znova zabezpečiť vákuum. Tento proces je potrebné opakovať dovtedy, kým sa v systéme nebude nachádzať žiadne chladivo.

Keď sa posledný raz použije dusík bez obsahu kyslíka, systém je potrebné odvetrať na úroveň atmosférického tlaku, aby sa mohli vykonať práce. Tento postup je mimoriadne dôležitý, pokiaľ sa má na potrubí uskutočniť spájkovanie mosadzou. Zaisťte, aby vývod vákuového čerpadla nebol v blízkosti žiadnych zdrojov vznietenia a k dispozícii bolo dostatočné vetranie.

### 7.16 POSTUP NAPŔŔANIA

Okrem bežných postupov napŔŔania je potrebné dodržiavať aj nasledujúce pokyny:

- Pri používaní napŔŔacieho vybavenia zaistíte, aby nedošlo k vzájomnej kontaminácii rôznymi chladivami. Hadice a vedenia by mali byť čo najkratšie, aby sa minimalizovalo množstvo v nich obsiahnutého chladiva.
- Nádoby je potrebné udržiavať vo zvislej polohe.
- Pred napŔŔaním chladiaceho systému chladivom je potrebné zaistiť jeho uzemnenie.
- Po dokončení napŔŔania označte systém štítkami (ak ešte nie je označený).
- Chladiaci systém sa nesmie prepŔŔať.
- Pred opätovným naplnením systému je potrebné skontrolovať tlak pomocou dusíka bez obsahu kyslíka. Po dokončení napŔŔania, ale ešte pred uvedením do prevádzky je potrebné odskúšať, či v systéme nedochádza k únikom chladiva. Následné odskúšanie tesnosti systému

### 7.17 VYRADENIE Z PREVÁDZKY

Pred uskutočnením tohto úkonu sa technik musí úplne oboznámiť so zariadením a všetkými podrobnosťami. Všetko chladivo je potrebné odčerpať. Pred samotným úkonom je potrebné odobrať vzorku oleja a chladiva. Je to potrebné na účely analýzy v prípade opätovného použitia vyčerpaného chladiva. Pred začatím úkonu musí byť k dispozícii napájanie elektrickým prúdom.

- a) Oboznámte sa so zariadením a jeho obsluhou.
- b) Zaistíte elektrickú izoláciu systému.
- c) Pred uskutočnením úkonu zaistíte nasledujúce:
  - musí byť k dispozícii mechanické manipulačné vybavenie na manipuláciu s nádobami s chladivom, ak je potrebné;
  - k dispozícii sú všetky osobné ochranné prostriedky a správne sa používajú;
  - na proces vyčerpania dohliada kompetentný pracovník;
  - vybavenie na vyčerpanie chladiva a nádoby na chladivo spŔŔňajú všetky príslušné predpisy.
- d) Ak je to možné, chladiaci systém odčerpajte.
- e) Ak nie je možné dosiahnuť vákuum, chladivo odčerpajte z viacerých častí systému.
- f) Nádobu na chladivo pred vyčerpaním umiestnite na váhu.
- g) Spustíte zariadenie na vyčerpanie chladiva a používajte ho podľa pokynov výrobcu.
- h) Nádoby neprepŔŔajte. (nenapŔŔajte ich na viac ako 80 % objemu).
- i) Neprekračujte maximálny pracovný tlak nádoby, ani dočasne.
- j) Po správnom naplnení nádob a dokončení procesu nádoby a vybavenie urýchlene odstráňte z pracovného priestoru a zatvorte všetky izolačné ventily.
- k) Vyčerpané chladivo sa nesmie napŔŔať do iného chladiaceho systému, pokiaľ sa nevyčistí a neskontroluje.

### 7.18 OZNAČENIA

Zariadenie je potrebné označiť štítkom o vyradení z prevádzky a vyprázdnení chladiva. Na tento štítok je potrebné uviesť dátum a podpis. Na zariadení musia byť umiestnené štítky uvádzajúce, že obsahuje horľavé chladivo.

### 7.19 ODČERPANIE CHLADIVA

- Pri odčerpávaní chladiva zo systému, či už na účely servisu, alebo na účely vyradenia z prevádzky, odporúčame dodržiavať správne postupy na zaistenie odstránenia všetkého chladiva.
- Pri presune chladiva do nádob používajte iba vhodné nádoby na odčerpávanie chladiva. Zaistíte, aby bol k dispozícii dostatočný počet nádob na celý objem chladiva v systéme. Všetky používané nádoby musia byť označené pre odčerpávanie chladiva (t. j. na odčerpávanie chladiva). Nádoby by mali byť vybavené funkčným uvoľňovacím ventilom a uzatváracími ventilmi.
- Z prázdnych nádob na chladivo je pred odčerpávaním chladiva potrebné vyčerpať vzduch a podľa možnosti ich schladiť.
- Zariadenie na odčerpávanie chladiva musí byť funkčné, pričom k nemu musia byť k dispozícii príslušné pokyny a zároveň by malo byť vhodné na odčerpávanie horľavých chladív. K dispozícii musia byť aj funkčné kalibrované váhy.
- Hadice musia byť vybavené dobre tesniami spojmi, pričom musia byť v dobrom stave. Pred použitím zariadenia na odčerpávanie chladiva skontrolujte, či je funkčné, či bolo správne udržiavané a či sú všetky elektrické komponenty utesené, aby sa v prípade úniku chladiva predišlo vznieteniu. Ak máte pochybnosti, poraďte sa s výrobcom.
- Odčerpávané chladivo je potrebné vrátiť dodávateľovi v správnych nádobách spolu s príslušným listom na prepravu odpadu. Nemiešajte rôzne chladivá v zariadeniach na odčerpávanie a hlavne nie v nádobách na chladivo.
- Ak je potrebné demontovať kompresor alebo odčerpať kompresorový olej, zaistíte primeranú úroveň vákuu, aby v mazive neostalo horľavé chladivo. Proces odčerpávania vzduchu je potrebné uskutočniť ešte pred vrátením kompresora dodávateľovi. Na urýchlenu tohto procesu možno použiť len elektrický ohrev kompresora. Odčerpávanie oleja zo systému je potrebné uskutočniť opatrne.

### 7.20 PREPRAVA, OZNAČOVANIE A SKLADOVANIE ZARIADENÍ

1. Prepravu zariadenia obsahujúceho horľavé chladivo je potrebné uskutočniť v súlade s príslušnými predpismi.
2. Zariadenie je potrebné označiť v súlade s príslušnými predpismi.
3. Likvidáciu zariadenia obsahujúceho horľavé chladivo je potrebné uskutočniť v súlade s príslušnými predpismi.
4. Skladovanie zariadenia/spotrebičov  
Zariadenia je potrebné skladovať v súlade s pokynmi výrobcu.
5. Skladovanie zabalených (nepredaných) zariadení  
Zariadenia je potrebné skladovať tak, aby mechanické poškodenie zariadenia vo vnútri obalu nespôsobilo únik chladiva.  
Maximálny počet zariadení, ktoré možno skladovať na jednom mieste, určia príslušné predpisy.

Ta izdelek je skladen z Direktivo o nizki napetosti (2014/35/EU) in Direktivo o elektromagnetni združljivosti (2014/30/EU) Evropske unije.



## Pravilno odstranjevanje izdelka (odpadna električna in elektronska oprema)

(Pri uporabi te klimatske naprave v evropskih državah upoštevajte spodnja navodila)

– Oznaka WEEE, prikazana na izdelku ali v literaturi, označuje, da se odpadna električna in elektronska oprema (Direktiva 2012/19/EC) ne sme odlagati med običajne gospodinjne odpadke. Za odlaganje obstajajo različne možnosti:

1. Občina je vzpostavila sistem zbiranja odpadkov, kjer lahko uporabnik brezplačno odlaga elektronske odpadke.
2. Ob nakupu novega izdelka bo prodajalec brezplačno prevzel star izdelek.
3. Proizvajalec bo brezplačno prevzel staro napravo.
4. Ker stari izdelki vsebujejo dragocene vire, jih lahko prodate trgovcem z odpadnimi kovinami. Divje odlaganje odpadkov v gozdove in naravo ogroža vaše zdravje, ker nevarne snovi pronicajo v podtalnico in se znajdejo v prehranjevalni verigi.

Ta izdelek vsebuje fluorirane pline, ki jih zajema Kjotski protokol.

Kemijsko ime plina	R32
Potencial plina za segrevanje ozračja (GWP)	675

### ⚠ POZOR

1. Priloženo oznako hladilnega sredstva prilepite poleg mesta za dovajanje in/ali shranjevanje hladilnega sredstva.
2. Na oznako hladilnega sredstva jasno napišite dovajano količino hladilnega sredstva s črnilom, ki ga ni mogoče izbrisati.
3. Preprečite izpuste fluoriranega plina. Poskrbite, da se med nameščanjem, servisiranjem ali odlaganjem fluoriran plin nikoli ne sprošča v ozračje. Če je zaznano uhajanje fluoriranega plina, je treba nadaljnje uhajanje zaustaviti in napako čim prej odpraviti.
4. Do tega izdelka lahko dostopajo in ga servisirajo le pooblašteni serviserji.
5. Kakršno koli rokovanje s fluoriranim plinom v tem izdelku, npr. premikanje izdelka ali dodatno polnjenje plina, mora biti skladno z Uredbo (ES) št. 517/2014 o določenih fluoriranih toplogrednih plinih in vsemi drugimi zadevnimi lokalnimi zakoni.
6. Če je nameščen sistem za zaznavanje uhajanja snovi, je treba enoto pregledati vsaj vsakih 12 mesecev.
7. Priporočamo, da ustrezno beležite vse preglede enote.

Notranja enota	Zunanja enota	Nazivna napetost, Hz
42QHP09E8S-1	38QHP09E8S-1	220-240V~, 50Hz
42QHP12E8S-1	38QHP12E8S-1	

Proizvajalec si pridržuje pravico do spremembe specifikacij izdelka brez predhodnega obvestila.

## VSEBINA

<b>1. PRIPRAVA NA NAMESTITEV</b> .....	<b>3</b>
1.1 Varnostni ukrepi .....	3
1.2 Dodatna oprema .....	5
1.3 Izbira mesta vgradnje .....	6
<b>2. NAMESTITEV NOTRANJE ENOTE</b> .....	<b>7</b>
2.1 Montažna plošča notranje enote .....	7
2.2 Postopek namestitve .....	8
<b>3. NAMESTITEV ZUNANJE ENOTE</b> .....	<b>9</b>
3.1 Dimenzije montaže zunanje enote .....	9
3.2 Zahtevani prostor za zunanjo enoto .....	9
3.3 Žične povezave v zunanji enoti .....	10
3.4 Namestitev zunanje enote .....	10
3.5 Namestitev odtočne cevi za zunanjo enoto .....	10
<b>4. CEVI HLADILNEGA SREDSTVA</b> .....	<b>11</b>
4.1 Razširjanje cevi .....	11
4.2 Dela s cevmi .....	11
4.3 Cev hladilnega sredstva .....	12
4.4 Odvajanje zraka .....	12
4.5 Preskus tesnosti .....	12
<b>5. NAPELJAVA</b> .....	<b>13</b>
<b>6. KONČNO PREVERJANJE IN PRESKUS DELOVANJA</b> .....	<b>14</b>
6.1 Seznam za končno preverjanje .....	14
6.2 Ročno upravljanje .....	14
6.3 Preskus delovanja.....	14
<b>7. PODATKI O SERVISIRANJU</b> .....	<b>15</b>



Pozor: Nevarnost požara  
samo za hladilno sredstvo  
R32 / R290

## 1.1 VARNOSTNI UKREPI

- Namestitev, zagon in servisiranje opreme klimatske naprave so lahko nevarni zaradi sistemskih tlakov, električnih komponent in lokacije opreme (strehe, dvignjene konstrukcije ipd.).
- Samo usposobljeni, kvalificirani monterji ter serviserji lahko izvajajo namestitev, zagon in servisiranje te opreme.
- Pri vsakem posegu na opremi upoštevajte previdnostne ukrepe v strokovni literaturi in na zaznamkih, nalepkah ter oznakah na opremi.
- Upoštevajte vse varnostne kode. Uporabljajte zaščitna očala in delovne rokavice. Med spajkanjem imejte pri sebi mokro krpo in gasilni aparat. Pri ravnanju z večjo opremo in njeni namestitvi bodite previdni.
- Natančno preberite ta navodila in upoštevajte vsa opozorila, vključena v literaturi in pritrjena na enoto. Za posebne zahteve glejte lokalne gradbene predpise in nacionalno energetska zakonodajo.

### ! OPOZORILO

Ta simbol označuje možnost poškodb osebja ali izgube življenja.

- **Hladilni plin je težji od zraka in nadomesti kisik. Večje uhajanje lahko povzroči pomanjkanje kisika, zlasti v kletih, pri čemer lahko nevarnost zadušitve pripelje do resne poškodbe ali smrti.**
- **Če je klimatska naprava nameščena v majhnem prostoru, zagotovite ustrezne ukrepe, da koncentracija uhajanja hladilnega sredstva v prostor ne preseže kritične ravni.**
- **Če med montažo pride do uhajanja hladilnega plina, takoj prezračite prostor.**  
Hladilni plin lahko ob stiku z ognjem (iz električnega grelca, peči ali kahalne naprave) proizvede strupen plin. Izpostavljenost temu plinu lahko povzroči resne poškodbe ali smrt.
- **Pred izvajanjem kakršnega koli dela na električni napeljavi izklopite napravo iz vira napajanja. Pravilno priključite priključni kabel.**  
Nepravilna priključitev lahko povzroči poškodbe električnih delov.
- **Uporabite predpisane kable za električne povezave in vlečne žice čvrsto pritrdite k veznim sponkam terminalnega bloka, tako da se zunanja sila ne razširja v terminal.**
- **Obvezno zagotovite ozemljitev.**  
Enot ne ozemljite do plinskih cevi, cevi za vodo, strelovoda ali telefonskih žic. Zaradi nepopolne ozemljitve se lahko pojavi nevarnost hudega udara, ki lahko povzroči resne poškodbe ali smrt.
- **Embalažo varno zavrzite.**  
Embalažni materiali, kot so žebliji in drugi kovinski ali leseni deli, lahko povzročijo vbodline ali druge poškodbe. Plastične embalažne vrečke raztrgajte in jih zavrzite ter tako preprečite, da bi se z njimi igrali otroci. Otroci, ki se igrajo s plastičnimi vrečkami, se lahko z njimi zadušijo.
- **Enote ne montirajte v bližini območij z visoko koncentracijo vnetljivih plinov ali plinskih hlapov.**
- **Uporabite le dobavljene ali navedene montažne dele.**  
Zaradi uporabe drugačnih montažnih delov se lahko enota razrahlja, lahko pride do uhajanja vode iz enote, električnega udara, požara ali poškodb opreme.
- **Pri nameščanju ali prestavljanju sistema zrak ali katera koli druga snov, razen navedenega hladilnega sredstva (R410A), ne sme vstopiti v cikel hlajenja.**
- **V enoto nikoli ne posegajte z odstranjevanjem varnostnih zaščit ali tako, da zaobidete varnostna zaporna stikala.**
- **Električne inštalacije morajo biti izvedene v skladu z navodili za namestitev ter državnimi, regijskimi in lokalnimi predpisi na področju električne napeljave.**

### ! OPOZORILO

- **Obvezno uporabite namenski tokokrog. V vtičnico nikoli ne priklopite še ene naprave.**
- **Če se želite izogniti nevarnosti nenamerne ponastavitve toplotne varovalke, te naprave ne napajajte preko zunanega stikala za vključitev, kot je časovnik, ter je ne povežite v tokokrog, ki se redno vklaplja in izklaplja.**
- **Za električno povezavo z izolacijo uporabite predpisane kable, zaščitene z izolacijsko prevleko in z ustrezno nazivno temperaturo.**  
Neustrezni kabli lahko povzročijo električni preboj, nepravilno proizvodnjo toplote ali ogenj.
- **Ne uporabljajte sredstev za pospeševanje odmrzovanja ali čiščenje, ki niso potrjena s strani proizvajalca.**
- **Naprava naj bo shranjena v prostoru brez potencialnih virov vžiga (na primer: odprt plamen in delujoča plinska naprava ali električni grelec).**
- **Ne prebadajte ali sežigajte.**
- **Zavedajte se, da so hladilna sredstva lahko brez vonja.**
- **Naprava naj bo shranjena v dobro prezračenem prostoru, ki naj bo sorazmerno dovolj velik za pravilno delovanje naprave.**
- **Za hladilne modele tipa R32:**  
Naprava naj bo nameščena, operativna in shranjena v prostoru s površino večjo od 4 m<sup>2</sup>.  
Naprava naj ne bo nameščena v neprezračenem prostoru, če je prostor manjši od 4 m<sup>2</sup>.
- **Najmanjša površina prostora, potrebna za hladilne modele R290:**  
<=9000 Btu/h: 13 m<sup>2</sup>  
>9000Btu/h in <=12000Btu/h: 17 m<sup>2</sup>  
>12000Btu/h in <=18000Btu/h: 26 m<sup>2</sup>  
>18000Btu/h in <=24000Btu/h: 35 m<sup>2</sup>

### ! POZOR

Ta simbol označuje možnost materialne škode ali hudih posledic.

- **Da bi se izognili morebitnim poškodbam, pazljivo ravnajte z deli, ki imajo ostre robove.**
- **Notranje ali zunanje enote ne nameščajte na mestu, izpostavljenem posebnim okoljskim razmeram.**
- **Ne nameščajte enot na mestu, kjer se lahko okrepi njihova raven hrupa ali kjer hrup in odvajan zrak motita sosede.**
- **Varno in v skladu z navodili za namestitev opravite drenažo/delo s cevmi.**  
Če odtok ni pravilno izveden, lahko pride do uhajanja vode in materialne škode.
- **Klimatske naprave ne nameščajte na naslednjih mestih.**
  - Mesto, kjer je prisotno mineralno olje ali arsenova kislina.
  - Mesto, kjer se lahko zbirajo jedki plini (kot je plin žveplaste kisline) ali gorljiv plin (razredčilo) ali kjer se obravnavajo hlapne gorljive snovi.
  - Mesto, kjer oprema povzroča elektromagnetna polja ali visoke frekvence.
- **Naprava mora biti shranjena tako, da je preprečena kakršnakoli mehanska škoda.**
- **Vsak posameznik, ki izvaja kakršnakoli dela na napravi, mora imeti veljavno in overjeno potrdilo organa, ki pooblašča njegovo usposobljenost varnega rokovanja z napravo.**

## 1.2 DODATNA OPREMA

Naslednja dodatna oprema je dobavljena z enoto. Tip in količina se lahko razlikujeta glede na specifikacije.

Ime pribora	Količina (kos)	Oblika	Ime pribora	Količina (kos)	Oblika
Ročno	3		Daljinski upravljalnik	1	
Odtočna odprtina	1		Baterije	2	
Tesnilo	1		Nosilec daljinskega upravljalnika	1	
Montažna plošča	1		Vijak B	2	
Vložek	5		Mali filter	1	
Vijak A	5		Magnetni obroč (pri nekaterih enotah)	N*	

\*Glede na dejansko količino

## 1.3 IZBIRA MESTA VGRADNJE

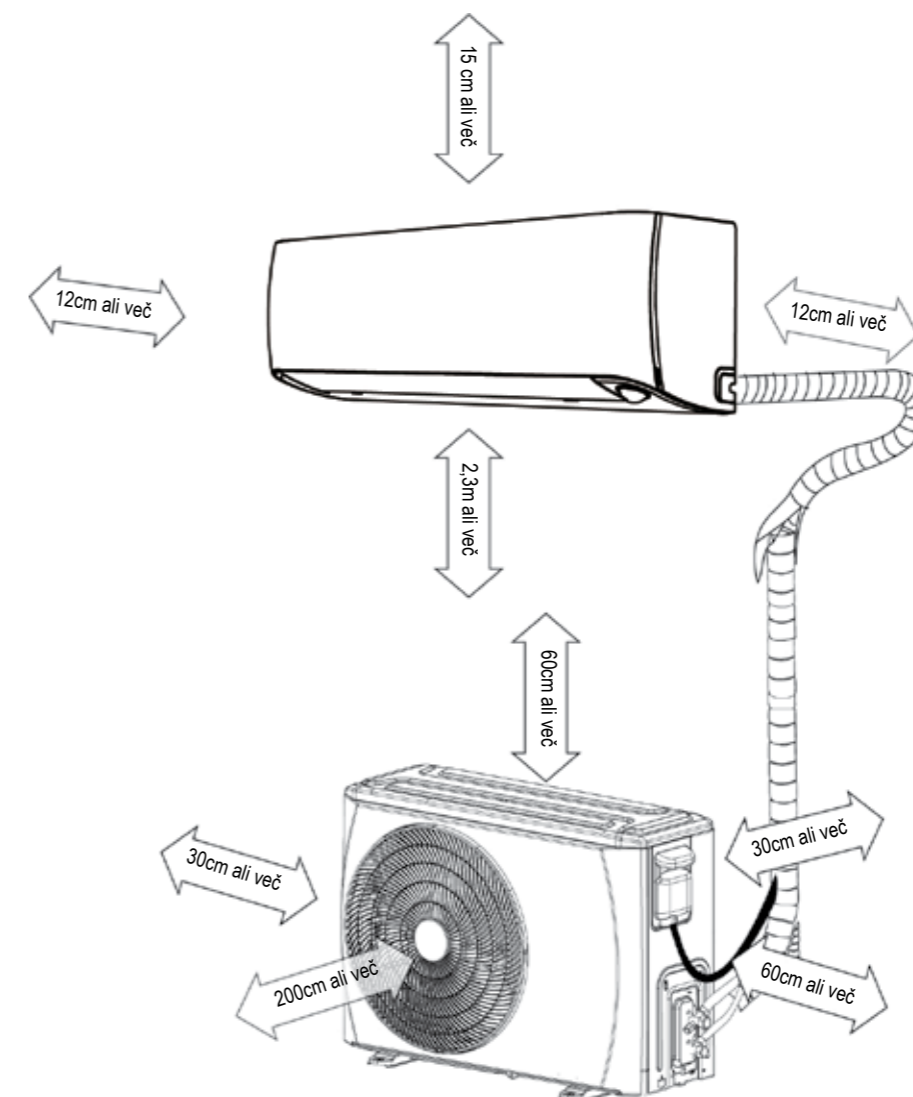
### Notranja enota

- Mesto, ki lahko prenese težo notranje enote.
- Notranje enote ne montirajte poleg neposrednega vira toplote, npr. na neposredno sončno svetlobo ali poleg ogrevalne naprave.
- Mesto, kjer lahko upoštevate razdalje, navedene na spodnji skici.
- Premične dele naprave je treba namestiti na višini najmanj 2,3 metra nad tlemi.

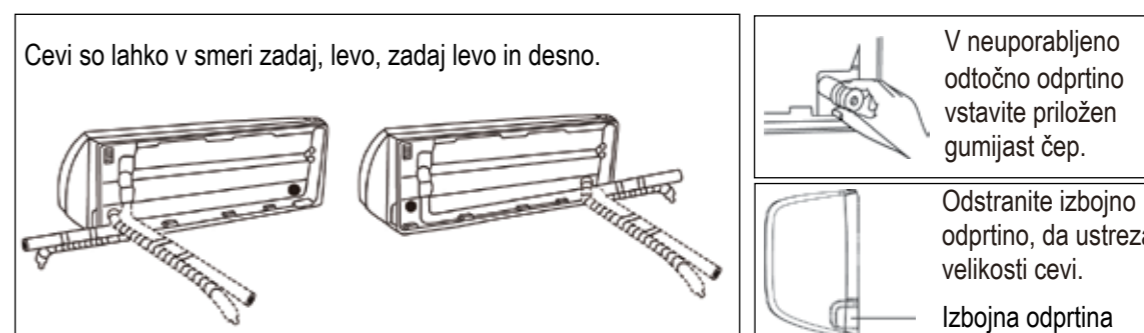
### Zunanja enota

- Mesto, ki je primerno za montažo in ni izpostavljeno močnemu vetru. Če je enota izpostavljena močnim vetrovom, je priporočljiva uporaba vetrne lopute.
- Mesto, ki lahko prenese težo zunanje enote in kjer je mogoče zunanjo enoto montirati v ravni legi.
- Mesto, kjer lahko upoštevate razdalje, navedene na spodnji skici.

Notranje ali zunanje enote ne nameščajte na mestu, izpostavljenem posebnim okoljskim razmeram. Prostor mora biti dovolj velik, da omogoča namestitev in vzdrževanje.

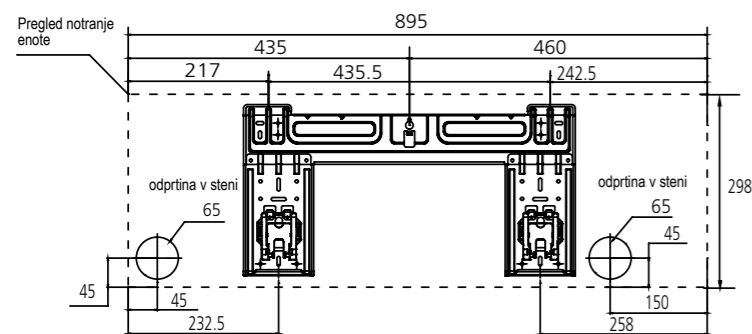


Opomba: upoštevajte s puščicami označene razdalje od stene, stropa, ograje ali drugih ovir.





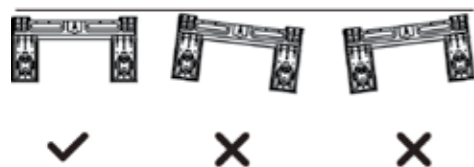
## 2.1 MONTAŽNA PLOŠČA NOTRANJE ENOTE



Opomba: Če je premer cevi na plinski strani Ø16 mm ali več, mora biti velikost odprtine za cev 90 mm.

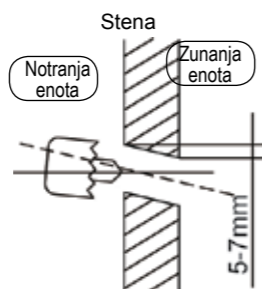
### ■ Namestite montažno ploščo

Montažno ploščo pritrдите vodoravno v ravni legi na steno s 5 ali več vijaki tipa A.



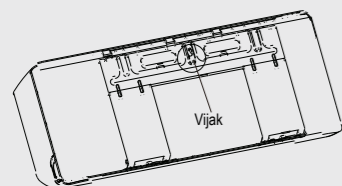
### ■ V steno izvrtajte luknjo

V steno izvrtajte luknjo s premerom 65 ali 90 mm (odvisno od modela), ki je rahlo nagnjena navzven.



Opomba:

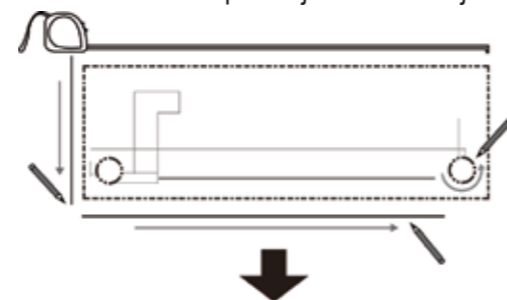
■ Zaradi lažje dobave je montažna plošča pritrjena z vijakom; pred namestitvijo ta vijak odstranite. (Glejte skico)



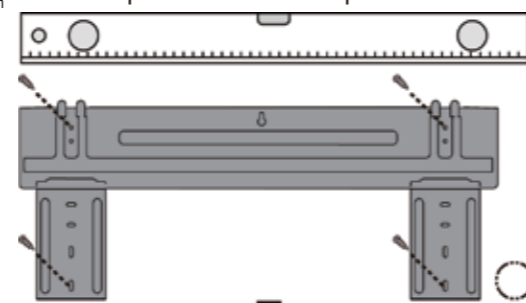
■ Montažna plošča bo podobna plošči na eni od skic, odvisno od velikosti enote. Premer lukenj za pritržitev vložkov mora biti 5 mm.

## 2.2 POSTOPEK NAMESTITVE

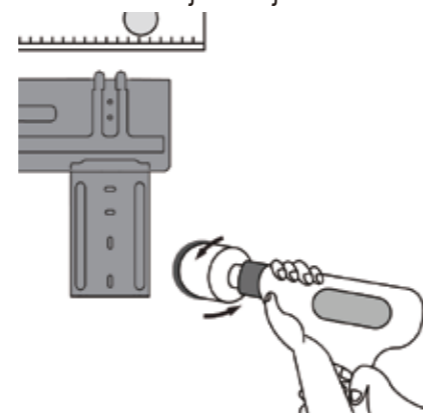
1. korak: določite položaj stenske luknje



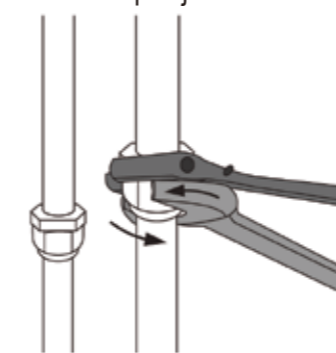
2. korak: pritrđite montažno ploščo



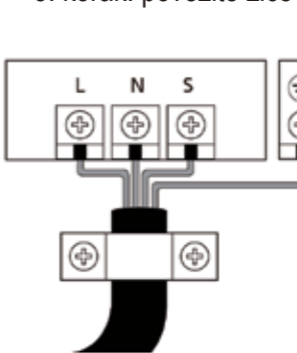
3. korak: izvrtajte luknjo v steno



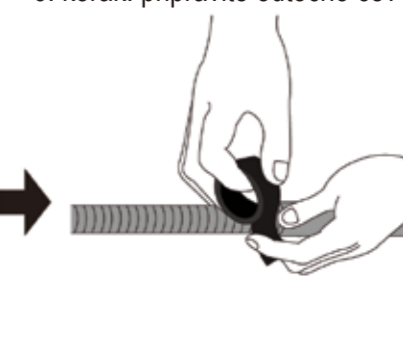
4. korak: priključite cev



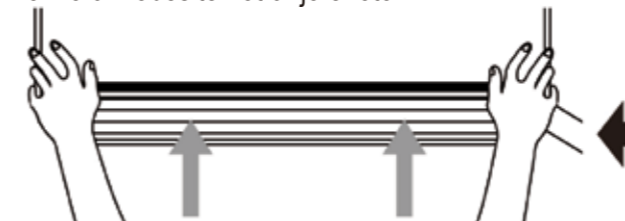
5. korak: povežite žice



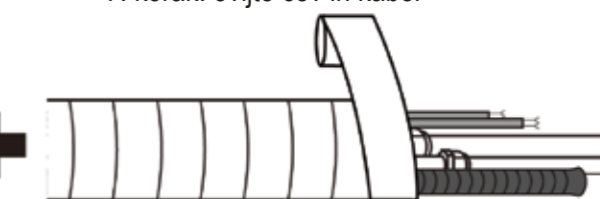
6. korak: pripravite odtočno cev



8. korak: obesite notranjo enoto

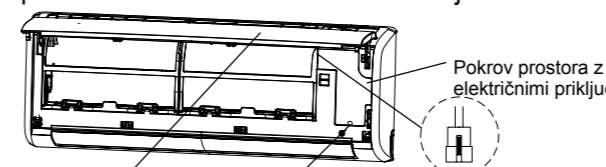


7. korak: ovijte cev in kabel



### ■ Žične povezave v notranji enoti

1. Dvignite sprednjo ploščo notranje enote.
2. Z izvijačem odprite pokrov prostora z električnimi priključki notranje enote, z roko odstranite pokrov terminalnega bloka in z rahljanjem vijakov odstranite kabelsko sponko.
3. Priključne žice z zadnje strani notranje enote povežite s terminalnim blokom notranje enote.

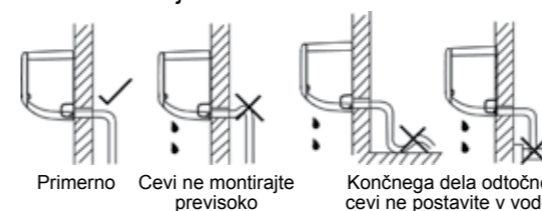


Pokrov prostora z električnimi priključki



### ■ Odtok

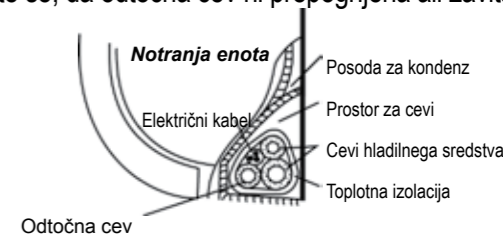
Odtokni vod ne sme vključevati zapore kjer koli po svoji dolžini; biti mora usmerjen navzdol in izoliran vse do zunanje stene.



### ■ Ovijte cev

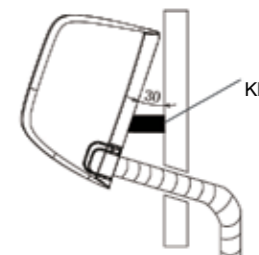
Pravilna usmerjenost pri montaži cevi hladilnega sredstva, električnih kablov in odtočnih cevi je prikazana na spodnji skici:

- Odtočno cev namestite pod cevmi hladilnega sredstva.
- Prepričajte se, da odtočna cev ni prepognjena ali zavita.



### ■ Obesite notranjo enoto

1. Cevi hladilnega sredstva napeljite skozi steno.
2. Notranjo enoto obesite na zgornjo kljuko na montažni plošči, nato spodnji del notranje enote potisnite proti steni in na spodnjo kljuko.
3. Notranjo enoto premaknite rahlo v obe smeri ter navzgor in navzdol, da preverite, ali je trdno nameščena.



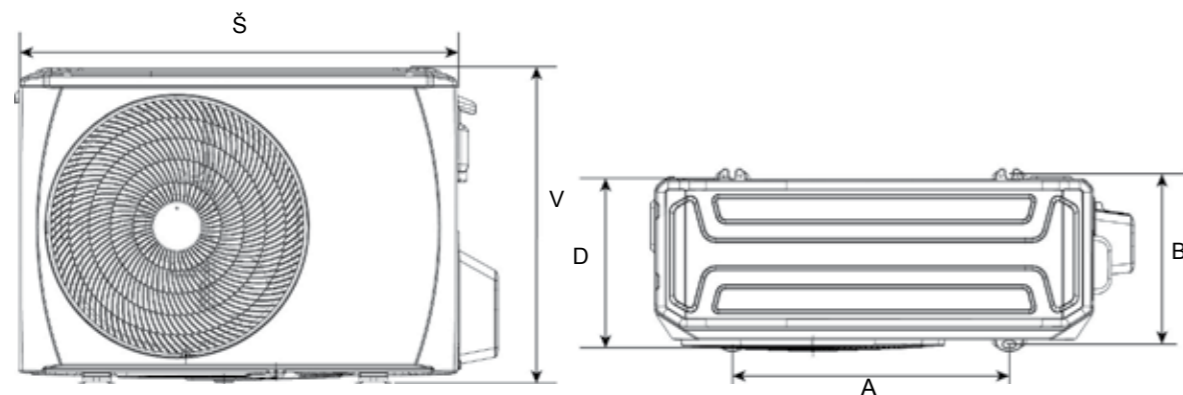
### ⚠ POZOR

■ Povezovalne dele povezovalne cevi morate namestiti zunaj prostora.

### 3. NAMESTITEV ZUNANJE ENOTE

#### 3.1 DIMENZIJE ZA MONTAŽO ZUNANJE ENOTE

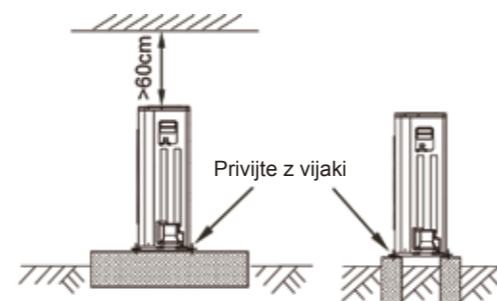
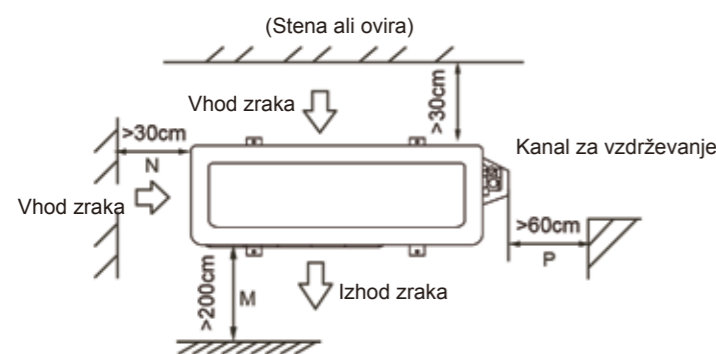
Dimenzije za montažo se lahko pri različnih zunanjih enotah razlikujejo. Premer glave vijaka mora biti večji od 12 mm.



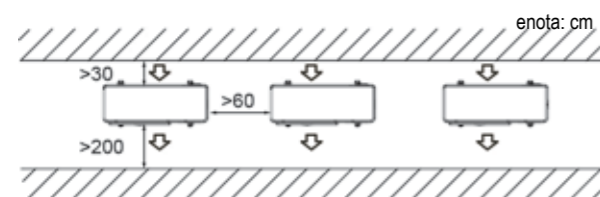
Dimenzije zunanje enote (mm)			Dimenzije za montažo (mm)		
Zunanja enota	Š	V	D	A	B
38QHP09E8S-1 38QHP12E8S-1	805	554	330	511	317

#### 3.2 ZAHTEVANI PROSTOR ZA ZUNANJO ENOTO

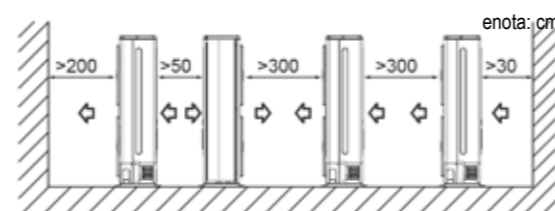
##### Namestitev ene enote



##### Vzporedna priključitev dveh enot ali več



##### Vzporedna priključitev sprednje in zadnje strani



#### POZOR

- V območjih s snežnimi padavinami in nizkimi temperaturami zunanje enote ne montirajte na mesta, kjer bi jo lahko prekril sneg. Če se pričakuje velika količina zapadlega snega, je treba enoto ali blokado vhodne ali izhodne odprtine za zrak zaščititi pred snegom s streho za sneg/led in/ali vetrno loputo, ki jo priskrbite sami.

### 3. NAMESTITEV ZUNANJE ENOTE

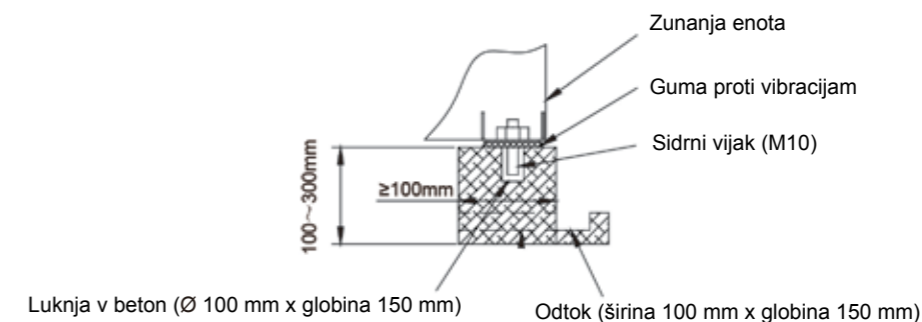
#### 3.3 ŽIČNE POVEZAVE V ZUNANJI ENOTI

- Odstranite pokrov prostora z električnimi priključki in kabelsko sponko, tako da sprostite vijake.
- Priključite žice v rele zunanje enote, pri čemer upoštevajte enako zaporedje kot pri notranji enoti.



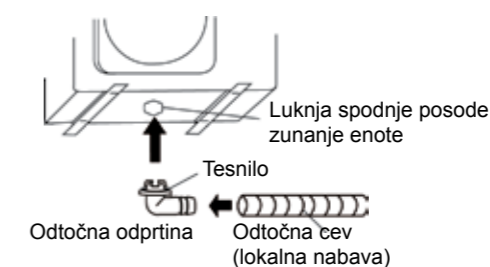
#### 3.4 NAMESTITEV ZUNANJE ENOTE

- Pred namestitvijo preverite trdnost in vodoravno lego podstavka, da ne pride do neobičajnih zvokov.
- Čvrsto pritrdite podstavek s sidrnimi vijaki (M10), da preprečite zrušitev enote.
- Namestite pritrtilne gumijaste nastavke proti vibracijam tako, da neposredno podprete spodnjo površino pritrtilne noge, ki je v stiku s spodnjo ploščo zunanje enote.



#### 3.5 NAMESTITEV ODTOČNE CEVI ZA ZUNANJO ENOTO

- Povežite odtočno odprtino s podaljškom odtočne cevi.
- Na odtočno odprtino namestite tesnilo.
- Odtočno odprtino vstavite v luknjo posode osnovne plošče zunanje enote ter jo zavrtite za 90 stopinj, tako da oba dela trdno povežete.




**POZOR**

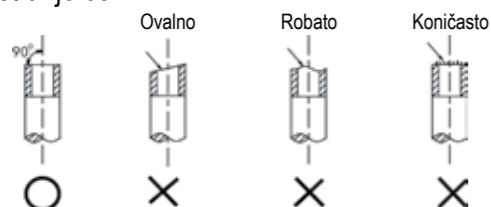
- Preverite, ali višinska razlika med notranjo in zunanjo enoto ter skupna dolžina cevi hladilnega sredstva izpolnjujeta sistemske zahteve.
- Delo s cevmi hladilnega sredstva sledi po namestitvi notranje in zunanje enote; najprej je treba priključiti cevi na notranji strani, nato na zunanji strani.
- Med namestitvijo imejte konce cevi vedno zatesnjene s prilepljenim pokrovčkom ali strehico in zaščitite NE odstranjujete, dokler niste pripravljeni povezati cevi.
- Prepričajte se, da izolirate vsako polje cevi vse do cevnega priključek v enoti. Vsak nezavarovan del cevi lahko povzroči kondenzacijo ali ob dotiku povzroči opekline.
- Ko je zunanja enota v zgornjem položaju in je razlika med ravnmi več kot 10 m, je priporočljivo, da je v plinski cevi vsakih 5–8 m nastavljen upogib za vračanje olja. Polmer upogiba za vračanje olja mora biti večji od 10 cm.

## 4.1 RAZŠIRJANJE CEVI

**OPOMBA**

- Za razširjanje potrebujete rezalnik cevi, orodje za razširjanje in držalo za cevi.
- Pri modelih hladilnega sredstva R32 morajo biti cevne priključne točke nameščene izven prostora.

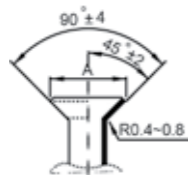
4.1.1 Z rezalnikom cevi odrežite cev na zahtevano dolžino. Zagotovite, da rob reza ostane pri 90° s stranjo cevi.



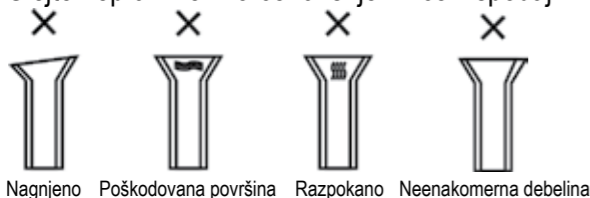
4.1.2 Uporabite pripomoček za razširjanje z navzdol obrnjeno rezalno površino, da odstranite iglice in okruški ne pridejo v cev.

4.1.3 Razširjanje izvedite z garnituro za razširjanje, kot je prikazano spodaj.

Zunanji premer	A (mm)	
	Maks.	Min.
Ø 6,35 mm	8,7	8,3
Ø 9,52 mm	12,4	12,0
Ø 12,7 mm	15,8	15,4
Ø 15,88 mm	19,0	18,6
Ø 19,05 mm	23,3	22,9



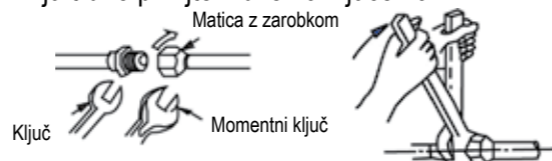
4.1.4 Preverite, ali je razširjanje cevi pravilno izvedeno. Glejte nepravilne vzorce razširjenih cevi spodaj.


**POZOR**

- V primeru, da uporabite spajkanje, delajte s pihanjem dušikovega plina.
- Nepravilni navor bo povzročil škodo pri razširjanju ali uhajanje plina.

## 4.2 DELO S CEVMI

4.2.1 Središče vijaka poravnajte z matico z zarobkom in ju trdno privijte z dvema ključema.



Velikost cevi	Moment
Ø 6,35 mm	18–20 Nm
Ø 9,52 mm	25–26 Nm
Ø 12,7 mm	35–36 Nm
Ø 15,88 mm	45–47 Nm
Ø 19,05 mm	65–67 Nm

4.2.2 Izberite primeren izolacijski material za cev hladilnega sredstva (najmanj 10 mm termalne izolacijske C-pene).

- Uporabite ločene toplotne izolacijske cevi za cevi za plin in tekočino.
- Debelina, navedena zgoraj, je standardna za sobno temperaturo 27 °C in vlažnost 80 %. Če nameščate v neugodnih razmerah, na primer v bližini kopalnice, kuhinje in na drugih podobnih lokacijah, okrepite izolacijo.
- Temperatura toplotne odpornosti izolacije mora biti več kot 120 °C.
- Uporabite lepila na povezovalnem delu izolacije, da preprečite vdor vlage.
- Popravite in pokrijte morebitne razpoke v izolaciji, preverite zlasti upognjeni del ali obešalo cevi.

## 4.3 CEV HLADILNEGA SREDSTVA

Opomba: Hladilno sredstvo je treba napolniti s servisnega priključka na nizekotlačnem ventilu zunanje enote.

	Najmanjša dolžina za zmanjševanje nenormalnih vibracij in hrupa	Dolžina napolnjene cevi	Dodatno sredstvo na meter	
			Tekočinska stran: Ø6,35 mm	Tekočinska stran: Ø9,52 mm
R32*	3m	5m	12g	24g

\* Uporabite orodja za sistem R32.

**OPOMBA**

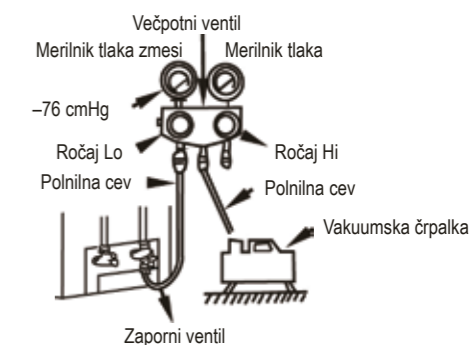
- Dolžina razširjenih cevi bo vplivala na zmogljivost in energetske učinkovitost enote.
- Nazivna učinkovitost je preizkušena s cevjo dolžine 5 metrov.
- Če je dolžina cevi nad 5 m, je treba dodati dodatno hladilno sredstvo glede na dolžino cevi.
- Največja priporočena dolžina cevi je navedena spodaj.

Modeli	Pretvornik R32	
	Najv. dolžina cevi (m)	Najv. razlika višine (m)
9K/12K	25	10

\* Uporabite orodja za sistem R32.

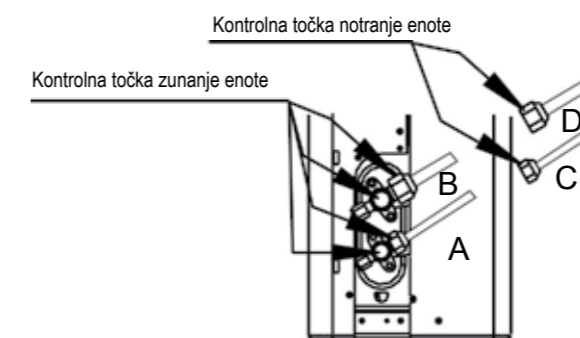
## 4.4 ODVAJANJE ZRAKA

- S polnilno cevjo povežite večpotni merilnik tlaka in servisno odprtino zapornega ventila na strani s plinom.
- Polnilno cev priključite na priključek na vakuumski črpalki.
- Popolnoma odprite ročaj Lo na večpotnem merilniku tlaka.
- Z vakuumsko črpalko odvedite zrak iz sistema, dokler ne dosežete vrednosti -76 cmHg.
- Zaprte ročaj Lo na večpotnem merilniku tlaka.
- Popolnoma odprite zaporni ventil.
- Odstranite polnilno cev iz servisne odprtine.
- Trdno privijte pokrovčke zapornega ventila.



## 4.5 PRESKUS TESNOSTI

Po končanem delu s cevmi preverite priključni del vsake cevi hladilnega sredstva in se prepričajte, da ne uhaja plin, tako da naredite preskus z milnico ali specifičnim detektorjem za tesnost za hladilna sredstva HFC. Glejte spodnjo skico.



A: Nizekotlačni zaporni ventil

B: Visokotlačni zaporni ventil

C in D: Matici z zarobkom notranje enote

## POZOR

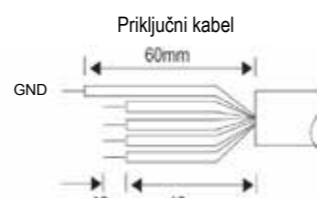
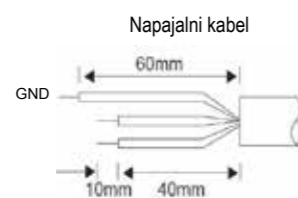
- Vse električne priključke morajo izvesti pooblaščen monterji in vsi kabli morajo biti povezani v skladu z električno shemo.
- Ozemljitveno povezavo vzpostavite pred kakršnimi koli drugimi električnimi priključki.
- Vse vire napajanja je treba izklopiti pred delom z napeljavo in se jih ne sme vklopiti, dokler se ne prepričate, da so bili vsi kabli varnostno preverjeni.
- Montirati je treba glavno stikalo in tokovno prekinjalo ali varovalko, pri čemer mora biti zmogljivost 1,5-krat višja od najvišjega toka v tokokrogu.
- Na razpolago morata biti samostojni vod in posebna vtičnica, ki se uporabljata samo za to napravo.
- Presek električne napeljave je odvisen od nazivnega toka ter državnih, območnih in lokalnih predpisov na področju električne napeljave. Za posebne zahteve glejte lokalne gradbene predpise in nacionalno energetska zakonodajo.
- Če je napajalni kabel poškodovan, ga mora zamenjati proizvajalec, njegov pooblaščen serviser ali podobno usposobljena oseba, da se prepreči tveganje.
- Enota mora biti z glavnim virom napajanja povezana prek tokovnega prekinjala ali stikala z ločenim stikom v velikosti vsaj 3 mm na vseh polih. Priporočljiva je montaža naprave na diferenčni tok (RDC) z nazivnim diferenčnim tokom, ki ne presega 30 mA.
- Ta naprava je ozemljena samo za namene delovanja.

### Nazivni tok posameznih modelov

Model	Nazivni tok (A)	Nazivni tok varovalk (A)	Napajalni kabel (z min. presekom)	Priključni kabel (z min. presekom)
38QHP09E8S-1	13,0	20	3*1,5 mm <sup>2</sup>	5*1,5 mm <sup>2</sup>
38QHP12E8S-1	13,0	20	3*1,5 mm <sup>2</sup>	5*1,5 mm <sup>2</sup>

### OPOMBA:

1. Velikosti vseh napajalnih žic morajo biti skladne z nacionalnimi, območnimi in lokalnimi predpisi na področju električne napeljave. Za posebne zahteve glejte lokalne gradbene predpise in nacionalno energetska zakonodajo.
  2. Električni kabel za zunanjo enoto in povezovalni kabel morata biti vrste H07RN-F.
  3. Nazivni tok naprave je naveden za tipski ploščici.
  4. Specifikacija varovalk za zunanjo enoto je T20A / 250VAC (samo za enote adpot R32 hladilnega sredstva)
- Opomba: Varovalka je izdelana iz keramike.

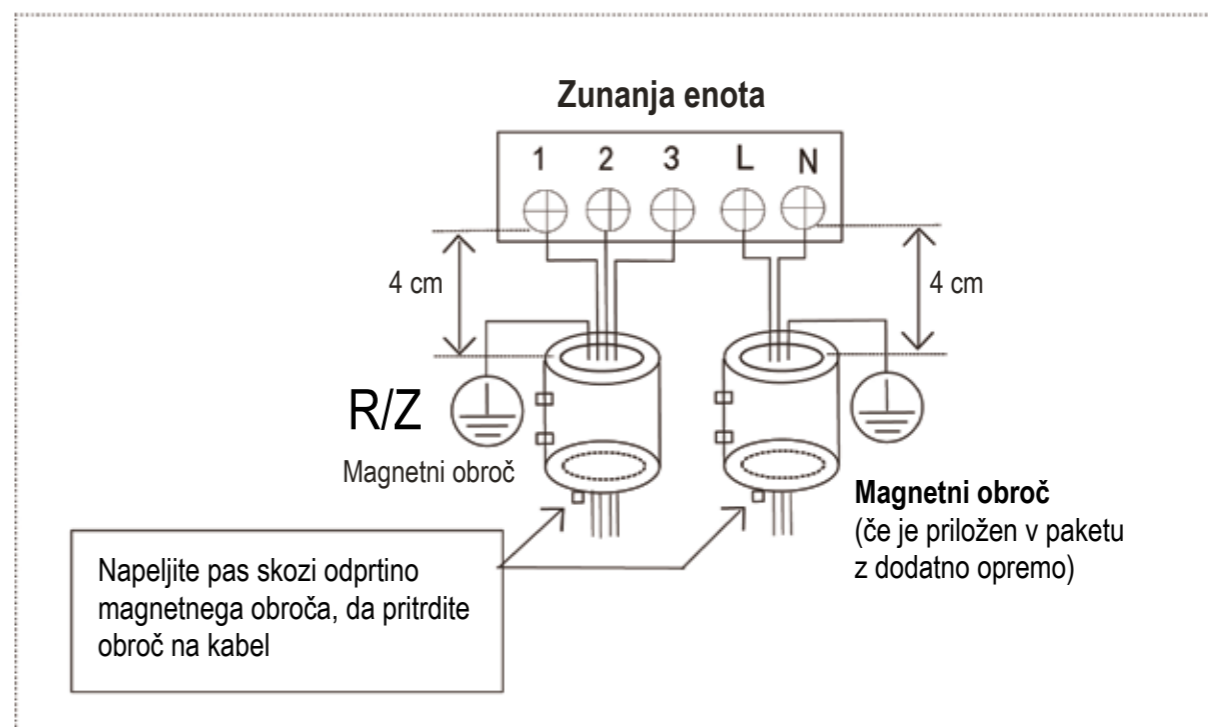
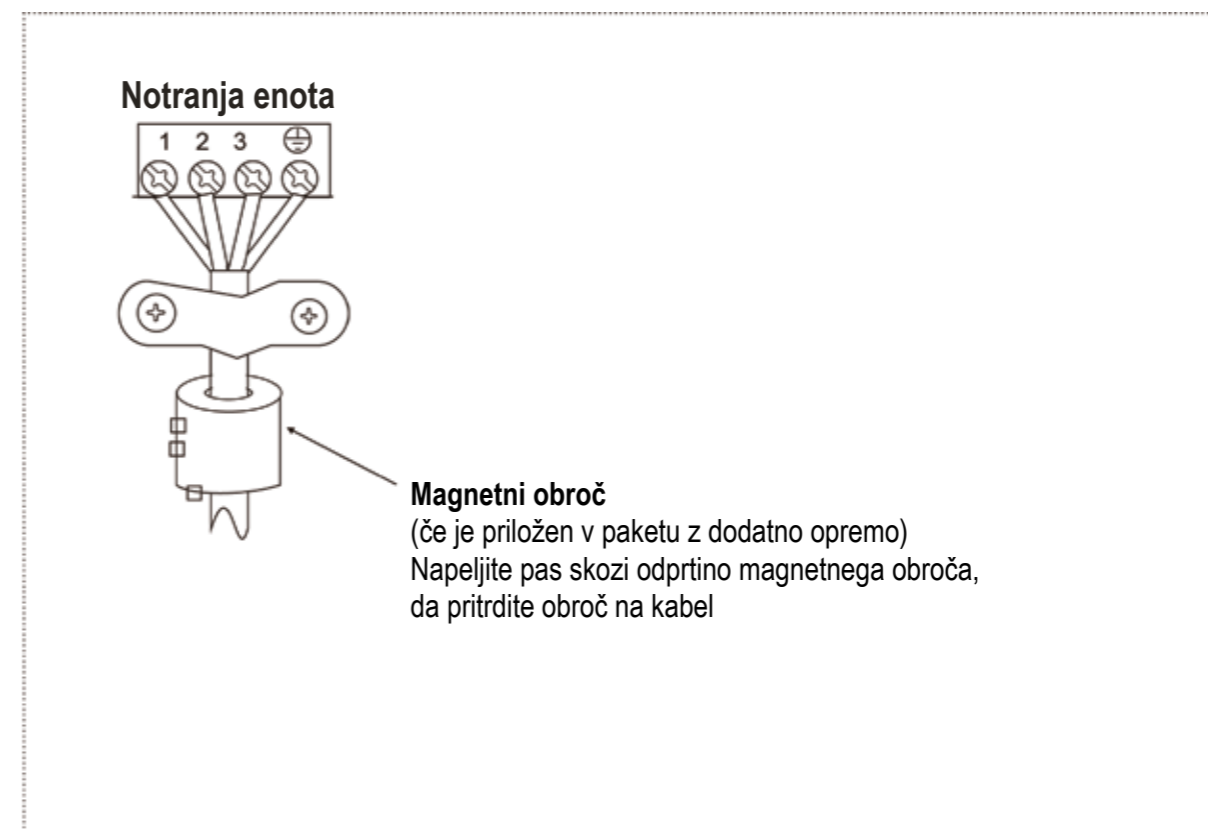


### Shema priključkov

Model	Notranja enota	Zunanja enota
QHP09 QHP12		

## ■ Namestitev magnetnega obroča

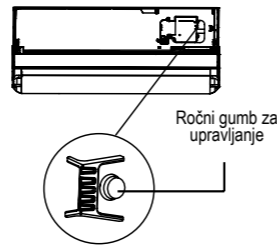
Opomba: Priključni blok se lahko razlikuje glede na model.



### 6.1 SEZNAM ZA KONČNO PREVERJANJE

Pred preskusom delovanja preverite naslednje, da dokončate namestitvev.

- Preverite trdnost mesta vgradnje notranje in zunanje strani ter se prepričajte, da odprtina za dovod in odvod zraka na ohišju nista zamašena.
- Preverite, ali je priključek cevi hladilnega sredstva dobro pritrjen in potrdite odsotnost sledi puščanja.
- Preverite, ali so električni kabelski priključki pravilno povezani in je enota ozemljena.
- Preverite skupno dolžino cevi in zabeležite prostornino dodatnega polnilnega hladilnega sredstva.
- Preverite, ali napetost ustreza nazivni napetosti klimatske naprave.
- Preverite izolacijo cevi.
- Preverite odtekanje vode.



### 6.2 ROČNO UPRAVLJANJE

Ročno upravljanje aktivirate s pritiskom tipke za ročno upravljanje.

Če želite spremeniti način delovanja, večkrat pritisnite tipko za ročno upravljanje:

- Enkrat = način AUTO (samodejno) (ogrevanje, hlajenje ali ventilator, 24 °C in samodejna hitrost ventilatorja)
- Dvakrat = način COOLING (hlajenje) (po 30 minutah delovanja preklopi v način AUTO (samodejno) (običajno se uporablja za namen preskusa delovanja))
- Trikrat = OFF (izklop)

### 6.3 PRESKUS DELOVANJA

Klimatsko napravo nastavite v način COOLING (hlajenje) z daljinskim upravljalnikom (ali tipko za ročno upravljanje) in preverite status izvajanja obeh enot, zunanje in notranje. V primeru nepravilnega delovanja odpravite težavo v skladu s poglavjem »Odpravljanje težav« v »Navodilih za servisiranje«.

#### Notranja enota

- Ali gumbi (ON/OFF, MODE, TEMPERATURE, FAN SPEED ipd.) na daljinskem upravljalniku ustrezno delujejo.
- Alise prezračevalna loputa normalno premika.
- Ali je temperatura prostora pravilno nastavljena.
- Ali so kontrolne lučke na plošči zaslona normalne.
- Ali »ročna« tipka pravilno deluje.
- Ali odtok pravilno deluje.
- Ali pri delovanju nastajajo tresljaji ali nenavaden hrup.
- Ali notranja enota ustrezno deluje v načinu COOLING (hlajenje) ali HEATING (ogrevanje).

#### Zunanja enota

- Alipri delovanju nastajajo tresljaji ali nenavaden hrup.
- Ali pretok zraka, hrup ali kondenzirana voda iz klimatske naprave moti okolico.
- Alije med delovanjem prišlo do uhajanja hladilnega sredstva.

#### POZOR

- Ko enoto ponovno zaženete, se bo kompresor zagnal s 3-minutno zakasnitvijo, s čimer se zagotovi njena zaščita.

### 7.1 PREGLEDI

Pred kakršnikoli delom na sistemih z vnetljivimi hladilnimi sredstvi so nujni varnostni pregledi, ki zagotavljajo minimalno verjetnost vžiga. Pred popravilom sistema hladilnega sredstva morajo biti v skladu z opozorili izpolnjeni naslednji pogoji.

### 7.2 DELOVNI POSTOPEK

Dela se izvajajo v skladu z nadzorovanim postopkom, zato da zmanjšamo tveganje prisotnosti vnetljivega plina ali hlapov med samim delom.

### 7.3 DELOVNI PROSTOR

Vso vzdrževalno osebje in drugi delavci v bližini bodo obveščeni o izvajanem delu. Izogibajte se delu v zaprtih prostorih. Območje okoli delavnega prostora naj bo zavarovano. Z nadziranjem vnetljivega materiala zagotovite varnost na območju dela.

### 7.4 PREVERJANJE PRISOTNOSTI HLADILNEGA SREDSTVA

Tehnik mora biti seznanjen o morebitnem vnetljivem ozračju, zato je treba območje pred in med izvajanjem dela pregledati z detektorjem za hladilna sredstva. Zagotovite, da je oprema za preverjanje uhajanja primerna za uporabo z vnetljivimi hladilnimi sredstvi, na primer brez iskrenja, primerno zatesnjena in varna.

### 7.5 PRISOTNOST GASILNEGA APARATA

Ob izvajanju kakršnegakoli dela, ob katerem nastaja toplota ali vročina, mora biti v bližini primerna gasilna oprema. V bližini imejte gasilni aparat na prah ali CO<sub>2</sub>.

### 7.6 BREZ VIROV VŽIGA

Noben izvajalec del, ki vključujejo delo na ceveh hladilnega sistema, ki vsebujejo ali so vsebovale vnetljivo hladilno sredstvo, ne sme uporabljati kakršnegakoli vira vžiga tako, da bi utegnil tvegati netenje požara ali eksplozijo. Vsi morebitni viri vžiga, vključujoč cigaretni dim, naj bodo na primerni razdalji od mesta namestitve, popravila in odstranjevanja, saj se med temi postopki lahko sprosti vnetljivo hladilno sredstvo. Pred opravljanjem kakršnegakoli dela naj bo območje okoli opreme dobro pregledano, če obstaja nevarnost vžiga. Na vidnih mestih naj bo znak »KAJENJE PREPOVEDANO«.

### 7.7 PREZRAČEVAN PROSTOR

Zagotovite, da je območje odprt prostor ali da je primerno prezračevano, preden pričnete z delom na sistemu ali delom, ob katerem nastaja toplota. Prezračevanje naj poteka tudi med izvajanjem dela. Prezračevanje varno razprši morebitno hladilno sredstvo in ga odstrani v ozračje.

### 7.8 PREGLEDI HLADILNE OPREME

Morebitni nadomestni električni deli morajo biti ustrezni in pravih specifikacij. Vedno upoštevajte proizvajalčeva navodila za vzdrževanje in servisiranje. Če ste v dvomih, se posvetujte s proizvajalčevim tehničnim oddelkom. Pri inštalacijah, ki uporabljajo vnetljiva hladilna sredstva, izvajajte naslednje preglede:

- moč naprave je v sorazmerju s površino prostora, v katerem so nameščeni deli hladilnega sredstva;
- ventilacijski sistem in odvodi delujejo brezhibno in so neovirani;
- če je uporabljen indirektni hladilni tokokrog, mora biti sekundarni tokokrog pregledan za prisotnost hladilnega sredstva; oznake opreme so še naprej vidne in veljavne;
- oznake, ki niso veljavne, morajo biti popravljene;
- cev hladilnega sredstva ali deli so nameščeni tako, da niso izpostavljeni rjavenju, razen če so deli iz materialov, ki so odporni pred rjavenju ali so primerno zaščiteni proti rji.

### 7.9 PREGLEDI ELEKTRIČNIH NAPRAV

Popravilo in vzdrževanje električnih delov vključuje začetne varnostne preglede in preglede delov. Če obstaja okvara, ki utegne ogroziti varnost, naprava ne sme biti priključena na električni tok, dokler okvare ne odpravite. Če okvare ni možno nemudoma odpraviti, a je to nujno za nadaljnje normalno delovanje, je treba najti začasno rešitev. V tem primeru je treba obvestiti lastnika opreme.

#### Začetni pregledi naj vključujejo:

- da so kondenzatorji odstranjeni: to naj bo opravljeno izredno previdno, da preprečite možnost iskrenja;
- da napajani električni deli in napeljave med polnjenjem, obnavljanjem ali odstranjevanjem sistema niso izpostavljeni;
- da je naprava ozemljena.

### 7.10 PREGLEDI ZATESNJENIH DELOV

- 10.1 Med popravilom zatesnjenih delov mora biti oprema, na kateri se izvajajo dela, odklopljena z vseh električnih tokov že pred odstranjevanjem pokrovov itd. Če je nujno potrebno, da je oprema priklopljena na električni tok, mora biti na najbolj kritični točki nameščen detektor uhajanja, da se prepreči tveganje.
- 10.2 Posebno pozornost posvečajte naslednjim ukrepom, da zagotovite varno popravilo električnih delov, brez poškodb opreme. To vključuje poškodbe kablov, preveč električnih povezav, neustrezne priključke, poškodbe tesnil, neprilegajoče se dele itd.
- Zagotovite, da je naprava varno nameščena.
  - Zagotovite, da tesnila niso preperela v tolikšni meri, da več ne služijo svojemu namenu preprečevanja vstopa vnetljivega ozračja. Rezervni deli morajo biti skladni s specifikacijami proizvajalca.

OPOMBA: Uporaba silikonskega tesnila lahko oslabi učinek nekaterih tipov opreme detektorjev uhajanja. Varnih delov pred delom ni treba izolirati.

### 7.11 POPRAVILO VARNIH DELOV

Toku ne dovajajte dodatnih obremenitev, brez da se prepričate, da to ne bo preseglo dovoljene napetosti toka za opremo v uporabi. Varni deli so edine komponente, na katerih lahko izvajamo dela tudi v vnetljivem ozračju. Testna naprava mora biti v pravilnem nazivnem toku. Dele nadomestite z rezervnimi deli, ki so določeni s strani proizvajalca. Namestitev drugih delov lahko privede do vžiga hladilnega sredstva zaradi uhajanja.

### 7.12 KABLI

Poskrbite, da kabli ne bodo izpostavljeni poškodbam, rjavenju, prekomernemu pritisku, vibracijam, ostrim robovom ali katerikoli drugim vplivom okolja. Pri pregledu se morajo upoštevati vplivi staranja ali nenehnih vibracij, ki izvirajo iz kompresorjev ali ventilatorjev.

### 7.13 DETEKCIJA VNETLJIVIH HLADILNIH SREDSTEV

Za detekcijo uhajanja hladilnih sredstev v nobenem primeru ni dovoljeno uporabiti morebitnih virov vžiga. Halidna bakla (ali katerikoli drug detektor z odprtim plamenom) se ne sme uporabljati.

### 7.14 METODE DETEKCIJE UHAJANJA

Naslednje metode detekcije uhajanja so sprejemljive za sisteme, ki vsebujejo vnetljiva hladilna sredstva. Elektronski detektorji uhajanja naj se uporabljajo za detekcijo vnetljivih hladilnih sredstev, a občutljivost morda ne bo primerna ali pa bo potrebovala ponovno umerjanje. (Detekcijska oprema naj bo ponovno umerjena v območju brez hladilnih sredstev.) Zagotovite, da detektor ni morebiten vir vžiga in je primeren za hladilno sredstvo. Detekcijska oprema naj bo nastavljena na odstotek LFL-ja v hladilnem sredstvu in na hladilno sredstvo, ki je predmet detekcije, ter odstotek plina (največ 25 %) potrjen. Tekočine za detekcijo uhajanja so primerne za večino hladilnih sredstev, a se izogibajte detergentom, ki vsebujejo klor, saj lahko ta reagira ob stiku s hladilno tekočino in povzroči rjavenje cevi. Če obstaja sum uhajanja, odstranite ali ugasnite vse vire odprtega ognja. Če najdeno hladilno sredstvo zahteva spajkanje, ga iz sistema popolnoma odstranite ali izolirajte (zaprite ventile) v del sistema, ki je oddaljen od kraja uhajanja. Pred in med spajkanjem v sistem dozirajte plin OFN.

### 7.15 ODSTRANITEV IN IZČRPVANJE

Pri delu na tokokrogu hladilnega sredstva veljajo primerni postopki, kljub temu pa je najbolje, če zaradi vnetljivega okolja upoštevate le najboljše prakse. Držite se naslednjih postopkov:

- odstranite hladilno sredstvo;
- izpraznite sistem z inertnim plinom;
- izčrpajte;
- znova izpraznite sistem z inertnim plinom;
- odprite tokokrog z rezanjem ali spajkanjem.

Napolnite hladilno tekočino v primerne valje. Sistem izperite s plinom OFN, da se prepričate, da je enota varna. Ta postopek bo morda treba večkrat ponoviti.

Za to delo ne uporabljajte stisnjene zraka ali kisika.

Izpiranje bo učinkovito ob izničenju vakuuma v sistemu s plinom OFN, ki naj napolni sistem, dokler ne dosežete delovnega tlaka, nato prezračite v ozračje in končno s potegom navzdol znova dosežete vakuum. Ta postopek se ponovi, vse dokler v sistemu ni več hladilnega sredstva.

Ko uporabite zadnje polnjenje s plinom OFN, prezračite sistem na tlak atmosfere, da lahko začnete z delom. Ta postopek je nujen, če bomo na cevovodu izvajali spajkalna dela. Zagotovite, da je odvod vakuumske črpalke daleč od morebitnih virov vžiga in da je na voljo prezračevanje.

### 7.16 POSTOPEK POLNJENJA

Kot dodatek k običajnim postopkom polnjenja upoštevajte naslednje zahteve:

- Zagotovite, da ob uporabi opreme za polnjenje ne pride do kontaminacije z drugimi hladilnimi sredstvi. Cevi in kabli naj bodo čim krajši, da se v njih nabere kar najmanj hladilnega sredstva.
- Valji naj bodo v pokončni legi.
- Poskrbite, da je hladilni sistem ozemljen, preden ga napolnite s hladilnim sredstvom.
- Označite sistem, ko je polnjenje končano (če še ni označen).
- Bodite izjemno pazljivi, da sistema ne prenapolnite.
- Pred ponovnim polnjenem preizkusite tlak s plinom OFN. Sistem naj bo po koncu polnjenja, a pred začetkom obratovanja, pregledan za morebitno uhajanje. Preskus uhajanja pred začetkom obratovanja

### 7.17 IZLOČITEV IZ UPORABE

Pred nadaljevanjem postopka je pomembno, da je tehnik popolnoma seznanjen z opremo in podrobnostmi. Dobra praksa priporoča, da vsa hladilna sredstva izrabimo varno. Pred začetkom del pridobimo vzorec olja in hladilnega sredstva.

V primeru, da je pred ponovno uporabo pridobljenega hladilnega sredstva potrebna analiza. Pred začetkom del je nujno potrebna električna razpoložljivost.

- a) Spoznajte opremo in njeno delovanje.
- b) Sistem električno izolirajte.
- c) Pred začetkom postopka zagotovite, da je:
  - mogoče mehansko rokovanje z opremo, če je potrebno, za rokovanje z valji hladilnega sredstva;
  - vsa zaščitna oprema razpoložljiva in pravilno uporabljena;
  - obnovitveni postopek vseskozi nadzorovan s strani pooblaščenih oseb;
  - oprema, vključno z valji v skladu s standardi.
- d) Izčrpajte hladilni sistem, če je možno.
- e) Če vakuum ni mogoč, naredite zbiralnik, da lahko odstranite hladilno sredstvo iz več delov sistema.
- f) Prepričajte se, da je pred postopkom valj na višini.
- g) Vklopite napravo za izvlek in jo upravljajte v skladu z navodili proizvajalca.
- h) Ne prenapolnite valjev. (Ne več kot 80 % prostornine zapolnjene s tekočino).
- i) Ne prekoračite maksimalnega delovnega tlaka valja, niti začasno.
- j) Ko so valji primerno napolnjeni in je postopek končan, se prepričajte, da so valji in oprema odstranjeni kar najhitreje in da so vsi izolacijski ventili na opremi zaprti.
- k) Izčrpanega hladilnega sredstva ni dovoljeno znova uporabiti v drugem hladilnem sistemu, razen če je bilo očiščeno in pregledano.

### 7.18 OZNAČEVANJE

Oprema mora biti označena kot izločena iz uporabe in izpraznjena hladilnega sredstva. Oznaka mora biti opremljena z datumom in podpisom. Zagotovite, da so na opremi oznake, ki obveščajo, da oprema vsebuje vnetljiva hladilna sredstva.

### 7.19 IZČRPAVANJE

- Ob izčrpanju hladilnega sredstva iz sistema, za potrebe servisiranja ali izločanja iz uporabe, dobra praksa nalaga, da so vsa hladilna sredstva odstranjena varno.
- Ob prenosu hladilnega sredstva v valje zagotovite, da delujejo samo za hladilno sredstvo primerni valji. Zagotovite, da je razpoložljivo zadostno število valjev za zadržanje hladilnega sredstva. Vsi uporabljeni valji so primerni za izčrpano hladilno sredstvo in označeni za to isto hladilno sredstvo (npr. posebni valji za izčrpano hladilno sredstvo). Valji morajo biti popolni z delujočimi omejitvenimi ventili in prilegajočimi zapornimi ventili.
- Prazni valji so izčrpani in, če je mogoče, ohlajeni pred obnovitvenim postopkom.
- Oprema mora biti brezhibno delujoča s priloženimi navodili in primerna za izčrpanje hladilnega sredstva. Priložena je tudi brezhibno delujoča tehnika.
- Cevi bodo popolne z delujočimi posameznimi zatesnjenimi spojkami. Pred uporabo naprave za izčrpanje preverite, da je v zadovoljivem delovnem stanju, primerno vzdrževana in da so vsi električni deli zatesnjeni in tako onemogočajo vžig v primeru uhajanja hladilnega sredstva. Če ste v dvomih, se posvetujte s proizvajalcem.
- Izčrpano hladilno sredstvo bo vrnjeno dobavitelju v primernem valju za izčrpanje in s primerno izpolnjenim obrazcem WTN. Ne mešajte hladilnih sredstev v enotah za izčrpanje, še posebej ne v valjih.
- Če odstranujete kompresorje ali kompresorsko olje, se prepričajte, da so bili izčrpani do zadostne ravni, in tako zagotovite, da vnetljivo hladilno sredstvo ne pride v stik z mazivom. Postopek izčrpanja mora biti končan, preden vrnete kompresor dobavitelju. Postopek lahko pospešite samo z električnim gretjem ogrodja kompresorja. Ko iz sistema izpuščate olje, počnite to previdno.

### 7.20 TRANSPORT, OZNAČEVANJE IN SHRANJEVANJE ENOT

1. Transport opreme z vnetljivimi hladilnimi sredstvi  
V skladu s transportnimi predpisi
2. Znakovno označevanje opreme  
V skladu z lokalnimi predpisi
3. Odstranjevanje opreme z vnetljivimi hladilnimi sredstvi  
V skladu z nacionalnimi predpisi
4. Shranjevanje opreme/naprav  
Shranjevanje opreme mora biti v skladu z navodili proizvajalca.
5. Shranjevanje zapakirane (neprodane) opreme  
Zaščita embalaže mora biti zasnovana tako, da mehanska poškodba opreme znotraj embalaže ne povzroči uhajanja hladilnega sredstva.  
Maksimalno dovoljeno število kosov opreme, ki so lahko shranjeni skupaj, določajo lokalni predpisi.

Ky produkt është përcaktuar që të jetë në përputhje me direktivën për tensionin e ulët (2014/35/BE) dhe direktivën për pajtueshmërinë elektromagnetike (2014/30/BE) të Bashkimit Evropian.



## Hedhja e duhur e produktit (Mbetjet e pajisjeve elektrike dhe elektronike)

(Kur e përdorni kondicionerin në shtetet evropiane, duhet të ndiqen udhëzimet e mëposhtme)

- Kjo shenjë që tregohet mbi produkt ose në dokumentet e tij tregon që mbetjet e pajisjeve elektrike dhe elektronike (WEEE sipas direktivës 2012/19/KE) nuk duhet të përzihen me mbetjet e përgjithshme shtëpiake. Ndalohet hedhja e kësaj pajisjeje në mbetjet shtëpiake. Për hedhjen e pajisjes ekzistojnë disa mundësi:
- 1. Bashkia ka ngritur sisteme grumbullimi ku mund të hidhen mbetjet elektronike, minimalisht pa asnjë detyrim për përdoruesin.
- 2. Kur blini një produkt të ri, shitësi do ta rimarrë produktin e vjetër, minimalisht pa asnjë detyrim.
- 3. Prodhuesi do ta rimarrë pajisjen e vjetër për hedhje, minimalisht pa asnjë detyrim për përdoruesin.
- 4. Meqenëse produktet e vjetra përmbajnë burime me vlerë, ato mund t'u shiten shitësve të skrapit. Hedhja e shkujdesur e mbetjeve në pyje dhe në natyrë rrezikon shëndetin tuaj kur substancat e rrezikshme rrjedhin në ujërat nëntokësore dhe hyjnë në zinxhirin ushqimor.

Ky produkt përmban gaze të fluorizuara që mbuloen nga Protokoli i Kiotos

Emri kimik i gazit	R32
Potenciali i ngrohjes globale (GWP) të gazit	675

### ⚠ KUJDES

- |  |   |
|--|---|
| <ol style="list-style-type: none"> <li>1. Ngjiteni etiketën e agjentit ftohës që gjendet brenda paketimit në afërsi të vendit të mbushjes dhe/ose të rikuperimit.</li> <li>2. Shkruani qartë dhe me bojë që nuk fshihet sasinë e ngarkuar të agjentit ftohës në etiketën e tij.</li> <li>3. Parandaloni shkarkimin e gazit të fluorizuar që përmban pajisja. Sigurohuni që gazi i fluorizuar të mos shkarkohet kurrë në atmosferë gjatë instalimit, riparimit ose hedhjes së pajisjes. Kur zbulohet rrjedhje e gazit të fluorizuar që përmban pajisja, ajo duhet të ndërpritet e të riparohet sa më shpejt që të jetë e mundur.</li> </ol> | <ol style="list-style-type: none"> <li>4. Vetëm personeli i kualifikuar i riparimit lejohet ta hapë dhe ta riparojë këtë produkt.</li> <li>5. Çdo trajtim i gazit të fluorizuar në këtë produkt, si p.sh. gjatë zhvendosjes së produktit ose furnizimit me gaz, duhet të kryhet në përputhje me Rregulloren nr. 517/2014 (KE) për disa gaze serrë të fluorizuar dhe me legjislacionin e brendshëm përkatës.</li> <li>6. Nëse sistemi ka të instaluar sistem diktimi për rrjedhjet, ai duhet të kontrollohet për rrjedhje të paktën çdo 12 muaj</li> <li>7. Kur njësia kontrollohet për rrjedhje, rekomandohet mbajtja e rezultateve të të gjitha kontroleve.</li> </ol> |
|--|---|

Njësia e brendshme	Njësia e jashtme	Tensioni dhe frekuenca nominale
42QHP09E8S-1	38QHP09E8S-1	220-240V~, 50Hz
42QHP12E8S-1	38QHP12E8S-1	

Prodhuesi ruan të drejtën e ndryshimit të specifikimeve të produktit pa njoftim.

## TABELA E PËRMBAJTJES

1. PËRGATITJA PËR INSTALIM .....	3
1.1 Masat paraprake të sigurisë .....	3
1.2 Pjesët shtesë .....	5
1.3 Zgjedhja e vendit të instalimit .....	6
2. INSTALIMI I NJËSISË SË BRENDSHME .....	7
2.1 Pllaka e montimit të njësisë së brendshme .....	7
2.2 Procesi i instalimit .....	8
3. INSTALIMI I NJËSISË SË JASHTME .....	9
3.1 Madhësia e bazamentit të njësisë së jashtme .....	9
3.2 Kërkesat lidhur me hapësirën për njësinë e jashtme .....	9
3.3 Lidhja e jashtme e telave .....	10
3.4 Instalimi i njësisë së jashtme .....	10
3.5 Instalimi i tubit të shkarkimit për njësinë e jashtme .....	10
4. INSTALIMI I TUBAVE FTOHËS .....	11
4.1 Zgjerimi i tubave .....	11
4.2 Instalimi i tubave .....	11
4.3 Tubi ftohës .....	12
4.4 Nxjerrja e ajrit .....	12
4.5 Testi për rrjedhje .....	12
5. INSTALIMET ELEKTRIKE .....	13
6. KONTROLI PËRFUNDIMTAR DHE KRYERJA E PROVËS .....	14
6.1 Lista e kontroleve përfundimtare .....	14
6.2 Përdorimi manual .....	14
6.3 Kryerja e provës .....	14
7. SHËRBIMI I INFORMIMIT .....	15



Kujdes: Rreziku nga zjarri vetëm për ftohës R32 / R290



## 1.1 MASAT PARAPRAKE TË SIGURISË

- Instalimi, ndezja dhe shërbimet e riparimit të pajisjes së kondicionerit mund të sjellin rrezik për shkak të presioneve të sistemit, komponentëve elektrikë dhe vendndodhjes së pajisjes (çati, struktura të ngritura etj.).
- Kjo pajisje duhet të instalohet, ndizet dhe riparohet vetëm nga montuesit dhe mekanikët e trajnuar e të kualifikuar të shërbimit.
- Gjatë punës në pajisje, lexoni masat paraprake në dokumentet e produktit, si dhe në shënimet, afishet dhe etiketat e ngjitura në pajisje.
- Zbatoni të gjitha kodet e sigurisë. Mbani syze mbrojtëse dhe doreza pune. Gjatë kallajisjes, mbani pranë vetes një leckë për fikjen e zjarrit dhe fikës zjarri. Bëni kujdes gjatë mbajtjes, ngritjes dhe vendosjes së pajisjeve të rënda.
- Lexoni të gjitha këto udhëzime dhe ndiqni të gjitha paralajmërimet ose njoftimet e përfshira në dokumentet e njësisë dhe ato të bashkëngjitura te njësia. Për kërkesa të posaçme, shikoni kodet vendore të ndërtimit dhe Kodin Kombëtar Elektrik.

### ⚠ PARALAJMËRIM

Ky simbol tregon mundësinë e lëndimit ose të humbjes së jetës së personelit.

- **Gazi ftohës është më i rëndë se ajri dhe zëvendëson oksigjenin.** Rrjedhja masive mund të shkaktojë pakësimin e oksigjenit, veçanërisht në bodrume, dhe mund të ketë rrezik asfiksie, duke rezultuar në lëndim të rëndë ose vdekje.
- Kur kondicioneri instalohet në një dhomë të vogël, merrni masat e duhura për t'u siguruar që përqendrimi i agjentit ftohës që rrjedh në dhomë nuk e kalon nivelin kritik.
- Nëse ka rrjedhje të gazit ftohës gjatë instalimit, ajrosni menjëherë zonën.  
Gazi ftohës mund të prodhojë gaz toksik nëse bie në kontakt me zjarr të shkaktuar p.sh. nga ngrohësi i ventilatorit, furra ose pajisja e gatimit. Ekspozimi në një gaz të tillë mund të shkaktojë lëndim të rëndë ose vdekje.
- **Shkëputeni nga burimi i energjisë përpara se të provoni të kryeni punë elektrike.** Lidhni mirë kabllo lidhëse.  
Lidhja e gabuar mund shkaktojë dëmtimin e pjesëve elektrike.
- **Përdorni kabllo të specifikuar për lidhjet elektrike dhe lidhni mirë ato në seksionet lidhëse të bllokut të terminaleve, në mënyrë që forca e jashtme të mos ushtrohet në terminal.**
- **Sigurohuni që të ketë tokëzim.**  
Mos i tokëzoni njësitë me tuba gazi, tuba uji, rrufepritës ose tela telefoni. Tokëzimi i paplotë mund të shkaktojë rrezik goditjesh të rënda, duke rezultuar në lëndim ose vdekje.
- **Hidhini materialet ambalazhuese në mënyrë të sigurt.**  
Materialet ambalazhuese, të tilla si gozhdët dhe pjesët e tjera metalike ose prej druri mund të shkaktojnë plagosje ose lëndime të tjera. Grisini dhe hidhini qeset plastike të ambalazhit në mënyrë që fëmijët të mos luajnë me to. Fëmijët që luajnë me qeset plastike rrezikojnë të asfiksohen.
- **Mos e instaloni njësinë pranë përqendrimeve të avujve të gazit ose të gazit të djegshëm.**
- **Sigurohuni të përdorni pjesët e instalimit që ofrohen me pajisjen ose të specifikuar saktë.**  
Përdorimi i pjesëve të tjera mund të shkaktojë lirimim e njësisë, rrjedhje uji, goditje elektrike, zjarr ose dëmtim të pajisjes.
- **Gjatë instalimit ose zhvendosjes së sistemit, mos lejoni futjen e ajrit ose të substancave të ndryshme nga agjenti ftohës i specifikuar (R410A) në ciklin e ftohjes.**
- **Mos e modifikoni kurrë këtë njësi pa hequr mbrojtëset e sigurisë ose duke anashkaluar ndonjë prej çelësve bllokues të sigurisë.**
- **Instalimet elektrike duhet të kryhen në përputhje me manualin e instalimit dhe kodet vendase, shtetërore dhe lokale të instalimeve elektrike.**

### ⚠ PARALAJMËRIM

- **Sigurohuni të përdorni qark elektrik të posaçëm.** Mos lidhni asnjëherë njëkohësisht pajisje të tjera në të njëjtën prizë.
- **Për të shmangur rreziqet që mund të shkaktohen nga rivendosja e shkujdesur e siguresës termike, pajisja nuk duhet të furnizohet me energji nga një pajisje e jashtme takim-stakimi, si p.sh. kohëmatës, ose të lidhet me një qark që ndizet dhe fiket rregullisht nga furnizuesi.**
- **Përdorni kabllo të përkrahura për lidhjen elektrike me izolim të mbrojtur nga mbështjellësja izoluese, e cila ka diapazonin e duhur të temperaturës.**  
Kabllo të papërshtatshme mund të shkaktojnë rrjedhje elektrike, prodhim jonormal nxehtësie ose zjarr.
- **Mos përdorni mjete për të përsheptuar procesin e shkrirjes ose të pastrimit, përveç atyre të rekomanduara nga prodhuesi.**
- **Pajisja duhet të ruhet në një dhomë pa burime ndezjeje që janë vazhdimisht në punë (për shembull: flakë të hapura dhe pajisje që punon me gaz ose ndonjë ngrohës elektrik)**
- **Mos e shponi dhe mos e digjni.**
- **Kini parasysh që agjentët ftohës mund të mos lëshojnë aromë.**
- **Pajisja duhet të ruhet në një zonë të mirajrosur ku madhësia e dhomës të përkojë me sipërfaqen e dhomës siç specifikohet për punë.**
- **Për modelet me agjent ftohës R32:**  
Pajisja duhet të instalohet, vihet në punë dhe ruhet në një dhomë me sipërfaqe dysHEMEJE më të madhe se 4 m<sup>2</sup>.  
Pajisja nuk duhet të instalohet në hapësirë të paajrosur nëse kjo hapësirë është më e vogël se 4 m<sup>2</sup>.
- **Për modelet me agjent ftohës R290, madhësia minimale e nevojshme e dhomës:**  
≤ 9000 Btu/h njësi: 13 m<sup>2</sup>  
> 9000 Btu/h dhe ≤ 12 000 Btu/h njësi: 17 m<sup>2</sup>  
> 12000 Btu/h dhe ≤ 18 000 Btu/h njësi: 26 m<sup>2</sup>  
> 18 000 Btu/h dhe ≤ 24 000 Btu/h njësi: 35 m<sup>2</sup>

### ⚠ KUJDES

Ky simbol tregon mundësinë e dëmtimit të pronës ose të pasojave të rënda.

- **Për të shmangur lëndimin personal, bëni kujdes kur kapni pjesët me skaje të mprehta.**
- **Mos i instaloni njësitë e brendshme ose të jashtme në vende me kushte të veçanta mjedisore.**
- **Mos e instaloni në një vend që mund të rrisë nivelin e zhurmës së njësisë ose ku zhurma dhe ajri që del mund të shqetësojë fqinjët.**
- **Instaloni mirë sistemin e shkarkimit/tubat në përputhje me manualin e instalimit.**  
Tubat e papërshtatshëm të shkarkimit mund të shkaktojnë rrjedhje uji dhe dëmtim të pronës.
- **Mos e instaloni kondicionerin në vendet e mëposhtme.**
  - Në vendet ku ka vajguri ose acid arseniku.
  - Në vendet ku mund të grumbullohet ose mbledhet gaz gërryes (si p.sh. gazi i acidit sulfurik) ose gaz i djegshëm (si p.sh. hollues) ose ku trajtohen substancat e djegshme që avullojnë.
  - Në vendet ku ka pajisje që krijojnë fusha elektromagnetike ose harmonizim të frekuencave të larta.
- **Pajisja duhet të ruhet në mënyrë të atillë që të parandalohet shkaktimin e dëmtimeve mekanike.**
- **Çdo person që merr pjesë në vënien në punë apo ndërhyrjen në qarkun e agjentit ftohës, duhet të mbajë certifikatën përkatëse nga autoriteti akreditues i sektorit, me të cilën jepet autorizimi për kompetencën e tij në punën e sigurt me agjentët ftohës sipas specifikimit të vlerësimeve të njohura nga industria.**

## 1.2 PJESËT SHITESË

Njësia ofrohet me pjesët e mëposhtme shtesë. Lloji dhe sasia e tyre mund të ndryshojë në varësi të specifikimeve.

Emri i pjesëve shtesë	Sasia (copë)	Forma	Emri i pjesëve shtesë	Sasia (copë)	Forma
Manuali	3		Telekomanda	1	
Tubi i shkarkimit	1		Bateria	2	
Guarnicioni	1		Mbajtësja e telekomandës	1	
Pllaka e instalimit	1		Vida B	2	
Mbajtësja	5		Filtri i vogël	1	
Vida A	5		Unaza magnetike (Disa njësi)	N*	

\* tregon që numri varion sipas sasisë

## 1.3 ZGJEDHJA E VENDIT TË INSTALIMIT

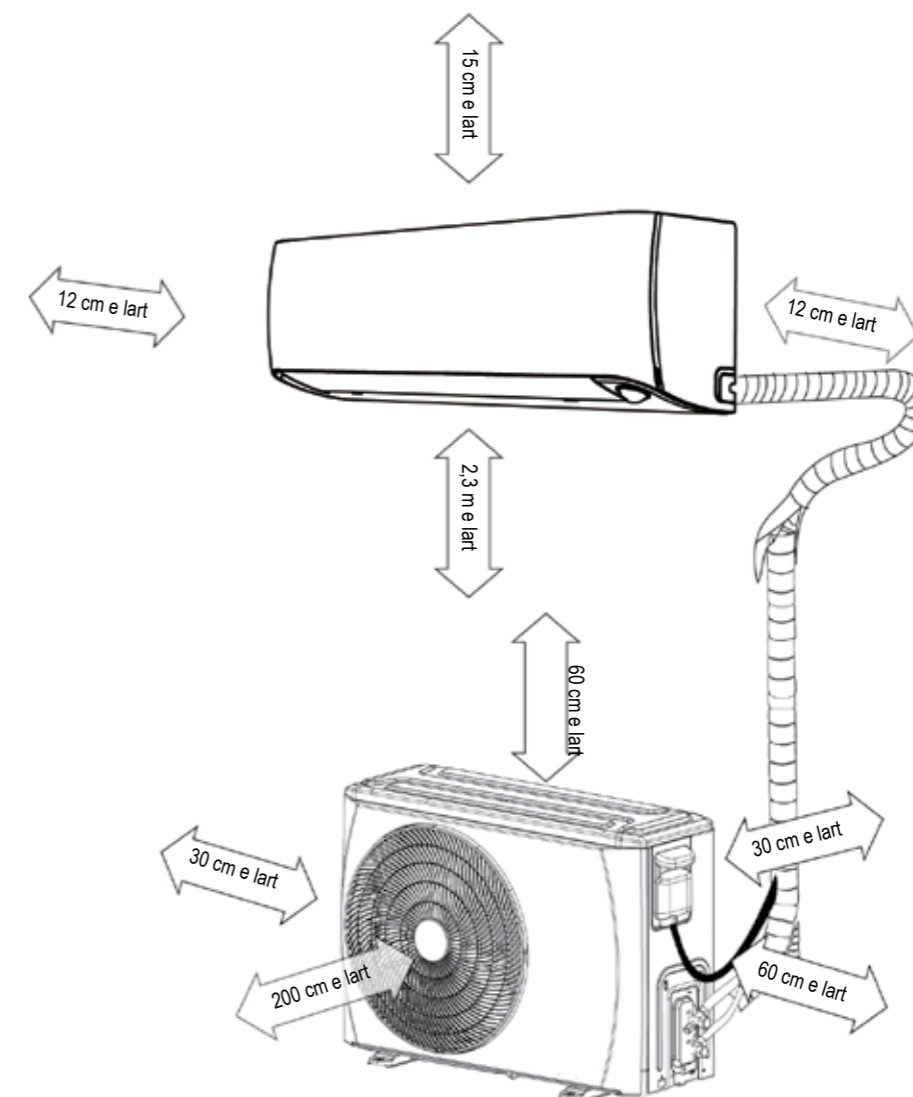
### Njësia e brendshme

- Në një vend që mund të mbajë peshën e njësisë së brendshme.
- Mos i instaloni njësitet e brendshme pranë një burimi të drejtpërdrejtë nxehtësie, si drita e drejtpërdrejtë e diellit ose pajisje ngrohëse.
- Në një vend që siguron hapësirat e duhura si në figurën më poshtë.
- Pjesët e lëvizshme të pajisjes duhet të instalohen/vendosen në nivel jo nën 2,3 m nga dyshemeja.

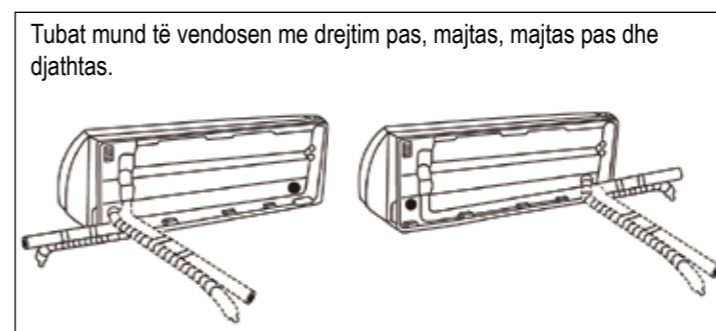
### Njësia e jashtme

- Në një vend të përshtatshëm për instalimin dhe të paekspozuar ndaj rrymave të forta të erës. Nëse njësia ekspozohet ndaj rrymave të forta të erës, rekomandohet përdorimi i një mbrojtëseje ndaj erës.
- Në një vend që mund të mbajë peshën e njësisë së jashtme dhe ku kjo e fundit të mund të montohet në nivel.
- Në një vend që siguron hapësirat e duhura si në figurën më poshtë.

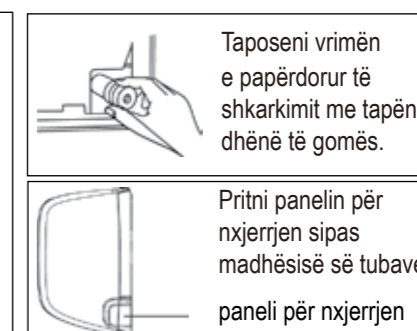
Mos i instaloni njësitet e brendshme ose të jashtme në vende me kushte të veçanta mjedisore. Sigurohuni që ka hapësirë të mjaftueshme për instalimin dhe mirëmbajtjen.



Shënim: Siguroni hapësirat e treguara me shigjeta nga muri, tavani, rrethimi ose pengesa të tjera.



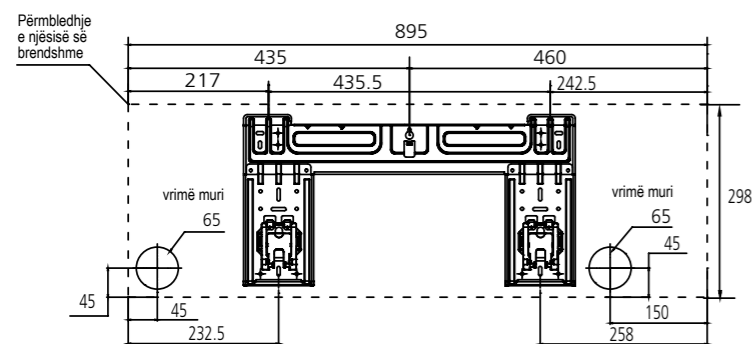
Tubat mund të vendosen me drejtim pas, majtas, majtas pas dhe djathtas.



Taposeni vrimën e papërdorur të shkarkimit me tapën e dhënë të gomës.

Pritni panelin për nxjerrjen sipas madhësisë së tubave. paneli për nxjerrjen

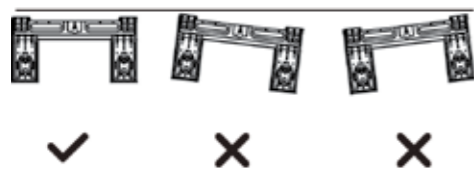
## 2.1 PLLAKA E MONTIMIT TË NJËSISË SË BRENDSHME



Shënim: Kur tubi lidhës i anës së gazit ka diametër Ø16 mm (5/8 inç) e lart, gryka e tubit duhet të jetë 90 mm (3,54 inç).

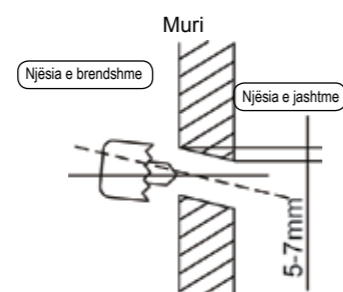
### ■ Instalimi i pllakës së montimit

Fiksoni pllakën e montimit në drejtim horizontal dhe të niveluar në mur me pesë ose më shumë vida të llojit A.



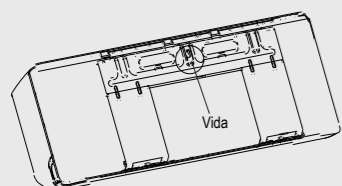
### ■ Shpimi i vrimës në mur

Shpini një vrimë 65 mm ose 90 mm (në varësi të modeleve) në mur me anim të lehtë për nga jashtë.



Shënim:

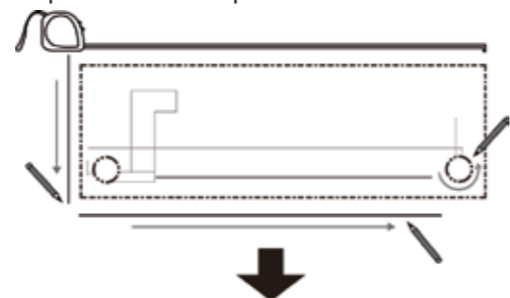
■ Pllaka e instalimit fiksohet me një vidë për lehtësi transportimi; përpara instalimit hiqni fillimisht vidën. (shihni figurën)



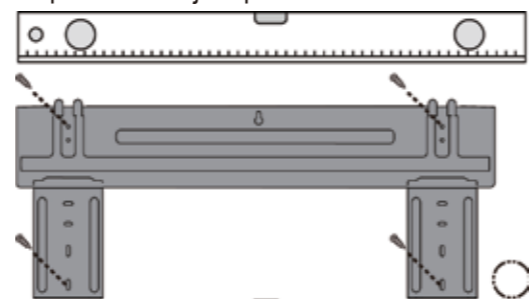
■ Pllaka e montimit do të duket si në një nga figurat e mëposhtme, në varësi të madhësisë së njësies. Vrimat për fiksimin e mbajtëseve duhet të jenë 5 mm.

## 2.2 PROCESI I INSTALIMIT

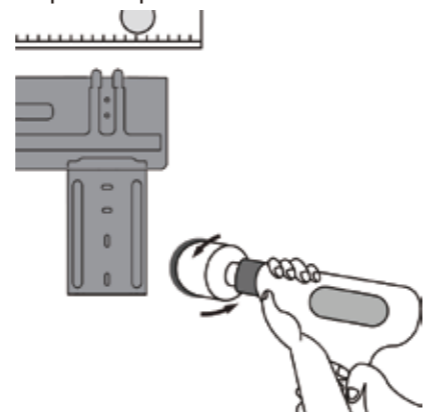
Hapi 1: Përcaktimi i pozicionit të vrimës në mur



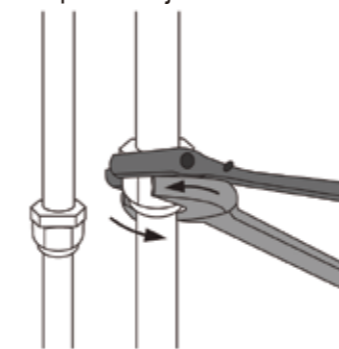
Hapi 2: Vendosja e pllakës së montimit



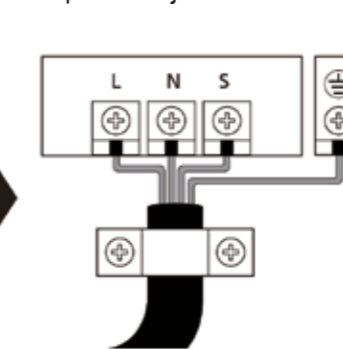
Hapi 3: Shpimi i vrimës në mur



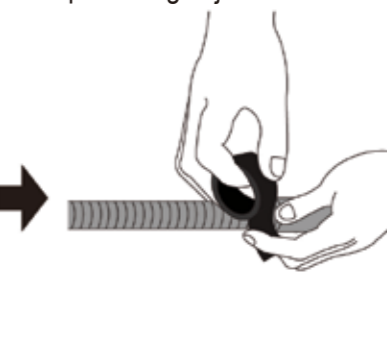
Hapi 4: Lidhja e tubave



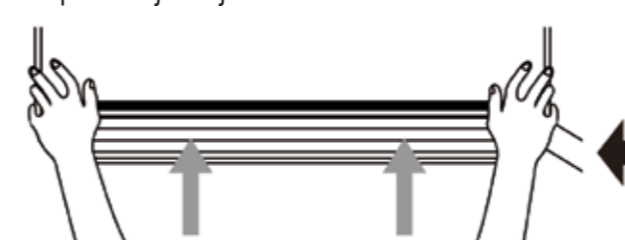
Hapi 5: Lidhja e telave



Hapi 6: Përgatitja e zorrës së shkarkimit



Hapi 8: Varja e njësies së brendshme

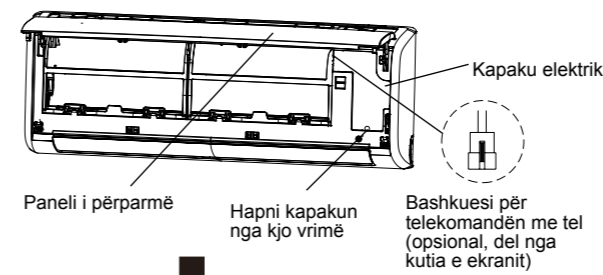


Hapi 7: Mbështjellja e tubave dhe e kabllove



### ■ Lidhja e telave në njësinë e brendshme

1. Ngrini panelin e përpamë të njësies së brendshme.
2. Hapni kapakun elektrik të njësies së brendshme me një kaçavidë përmes grykës, hiqni bllokun e terminaleve me dorë dhe hiqni mbajtësen e kabllove duke liruar vidat
3. Kalojini telat lidhës nga pjesa e pasme e njësies së brendshme dhe lidhni me bllokun e terminaleve të saj.

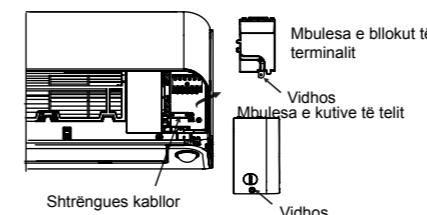


Paneli i përpamë

Hapni kapakun nga kjo vrimë

Kapaku elektrik

Bashkuesi për telekomandën me tel (opsional, del nga kutia e ekranit)



Shtërngues kabllor

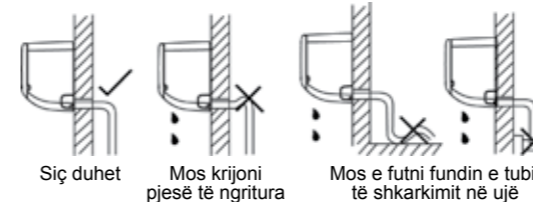
Mbulesa e bllokut të terminalit

Vidhos

Mbulesa e kutive të telit

### ■ Shkarkimi

Linja e shkarkimit nuk duhet të ketë pengesa në asnjë pjesë të gjatësisë së saj, duhet të anohet poshtë dhe të izolohet deri në murin e jashtëm.



### ■ Mbështjellja e tubit

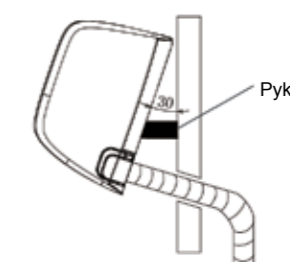
Për drejtimin e duhur të tubave ftohës, kabllos elektrike dhe linjave të shkarkimit, drejtojuni figurës në vijim:

- Vendoseni zorrën e shkarkimit poshtë tubit ftohës.
- Sigurohuni që zorra e shkarkimit të mos ketë fryrje ose përdredhje.



### ■ Varja e njësies së brendshme

1. Kalojini linjat ftohëse nëpër vrimën në mur.
2. Vareni njësinë e brendshme në çengelin e sipërm të pllakës së montimit dhe më pas shtyni lart në mur pjesën e poshtme të njësies së brendshme deri te çengeli i poshtëm.
3. Lëvizeni njësinë e brendshme nga njëra anë në tjetrën dhe lart-poshtë për të kontrolluar nëse është varur në mënyrë të sigurt.



### ⚠ KUJDES

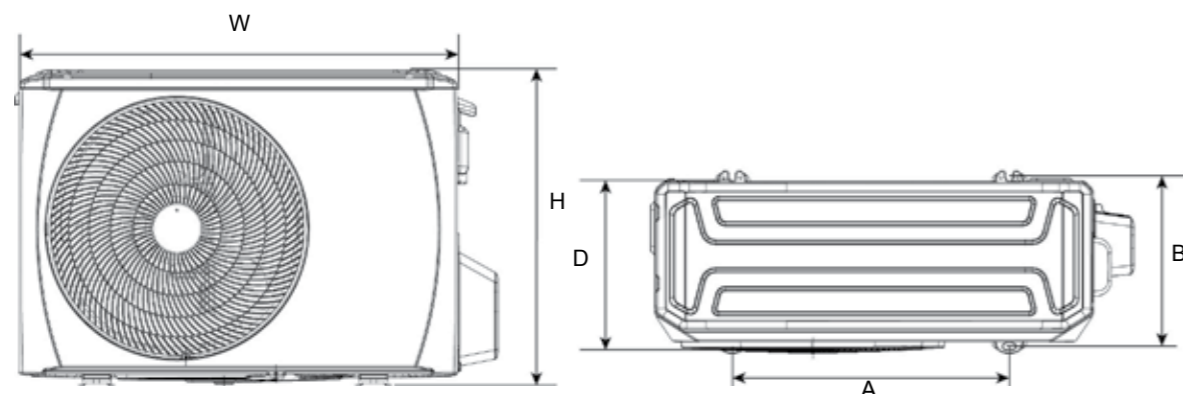
■ Pjesët bashkuese të tubit bashkues duhet të vendosen jashtë dhomës.

### 3. INSTALIMI I NJËSISË SË JASHTME



#### 3.1 PËRMASAT E MONTIMIT TË NJËSISË SË JASHTME

Përmasat e montimit mund të variojnë midis njësive të jashtme të ndryshme. Diametri i kokës së bulonit fiksues duhet të jetë më i madh se 12 mm.

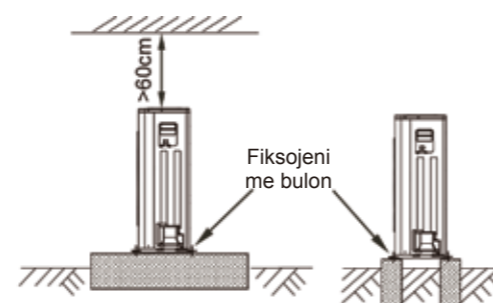
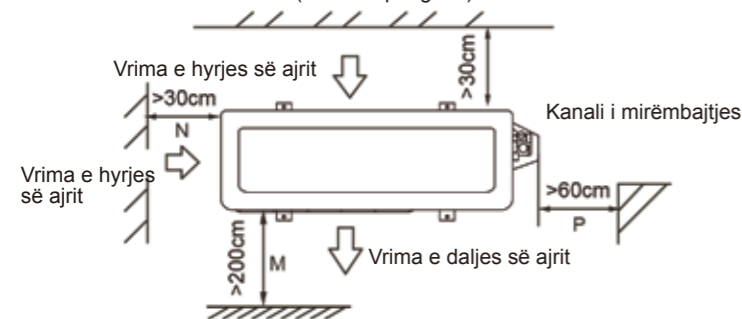


Përmasat e njësive së jashtme (mm)				Përmasat e montimit (mm)	
Njësia e jashtme	W	H	D	A	B
38QHP09E8S-1 38QHP12E8S-1	805	554	330	511	317

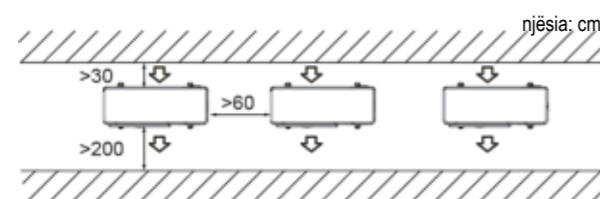
#### 3.2 KËRKESAT LIDHUR ME HAPËSIRËN PËR NJËSINË E JASHTME

##### Instalimi i një njësie të vetme

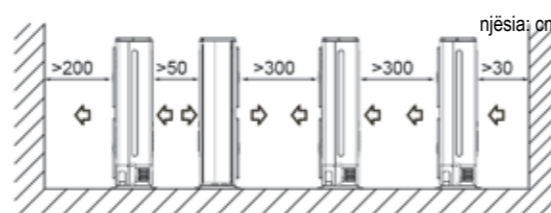
(Mur ose pengesë)



##### Lidhni dy njësitë paralelisht ose mbi njëra-tjetrën



##### Lidhni anët e përparme paralelisht me anët e pasme



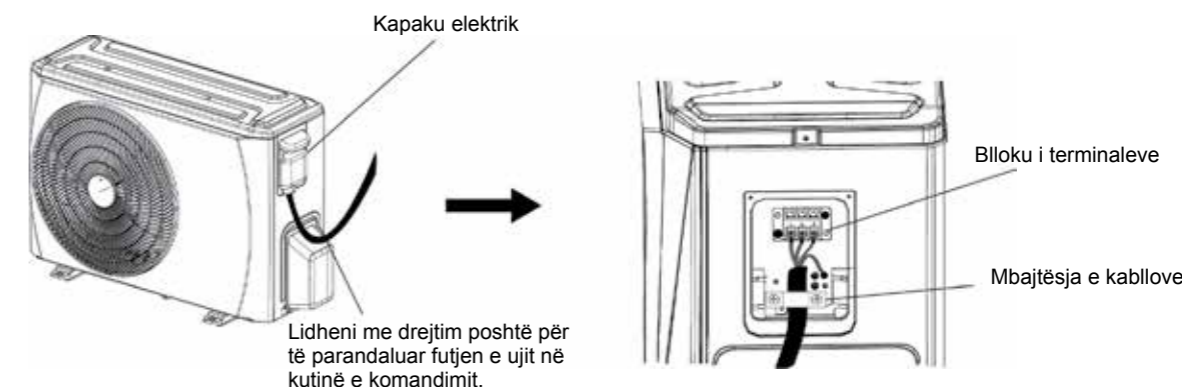
#### ! KUJDES

- Në rajonet me dëborë dhe temperatura të ftohta, shmangni instalimin e njësive së jashtme në zonat ku mund të mbulohet nga dëborë. Nëse pritet të bjerë dëborë e madhe, duhet të instalohet mbajtëse akulli ose bore dhe/ose mbrojtëse ndaj erës në vend për ta mbrojtur njësine nga grumbullimi i dëborës dhe/ose bllokimi i hyrjes së ajrit.

### 3. INSTALIMI I NJËSISË SË JASHTME

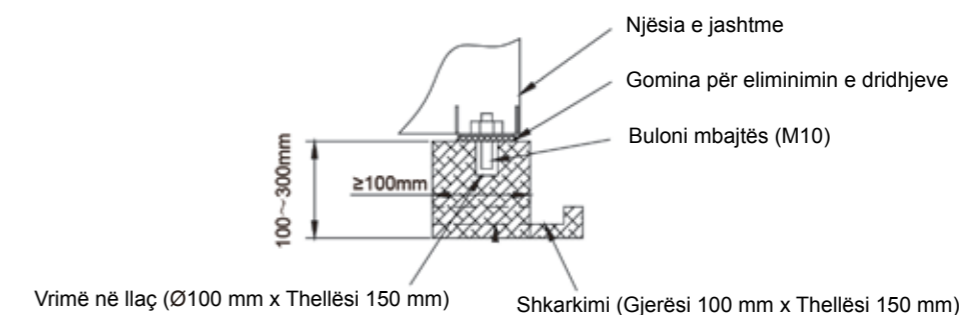
#### 3.3 LIDHJA E TELAVE NË NJËSINË E JASHTME

- Hiqni kapakun elektrik dhe mbajtësen e kabllove duke liruar vidat.
- Lidhni telat në bllokun e terminaleve të njësive së jashtme në të njëjtën mënyrë si për njësine e brendshme.



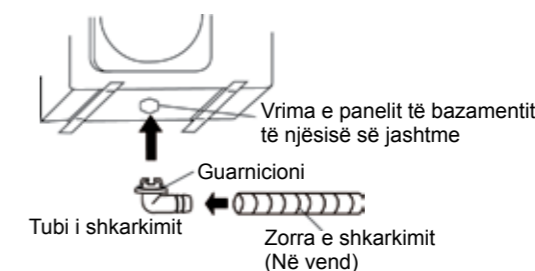
#### 3.4 INSTALIMI I NJËSISË SË JASHTME

- Përpara instalimit, kontrolloni fortësinë dhe nivelin horizontal të bazës në mënyrë që të mos krijohen zhurma jonormale.
- Fiksojeni bazën mirë me bulona mbajtës (M10) për të parandaluar rënie e saj.
- Instaloni gominat e bazamentit dhe për eliminimin e dridhjeve për të mbështetur drejtpërdrejt sipërfaqen fundore të këmbëzës fiksuese që prek pllakën fundore të njësive së jashtme.



#### 3.5 INSTALIMI I TUBIT TË SHKARKIMIT PËR NJËSINË E JASHTME

- Lidhni daljen e shkarkimit me një zorrë zgjatuese shkarkimi
- Puthitni rondelën në daljen e shkarkimit.
- Futni daljen e shkarkimit në vrimën e panelit të bazamentit të njësive së jashtme dhe rrotullojeni me 90 gradë për t'i montuar mirë.



## 4. INSTALIMI I TUBAVE FTOHËS



**KUJDES**

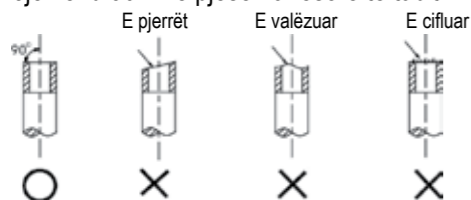
- Kontrolloni nëse diferenca e lartësisë midis njësisë së brendshme dhe njësisë së jashtme dhe gjatësia e plotë e tubit ftohës përmbushin kërkesat e sistemit.
- Instalimi i tubave ftohës bëhet pas instalimit të njësisë së brendshme dhe njësisë së jashtme. Fillimisht lidhni tubin në anën e brendshme dhe më pas në atë të jashtme.
- Gjatë instalimit, mbajini gjithmonë të izoluar pjesët fundore të tubave duke vendosur kapak ose shirit izolimi dhe MOS i hiqni derisa të jeni gati për lidhjen e tyre.
- Sigurohuni të izoloni të gjithë tubat në vend në të gjithë gjatësinë e tyre deri te bashkimi i tyre brenda njësisë. Tubat e ekspozuar mund të shkaktojnë kondensim ose djegie nëse i prekni.
- Kur njësia e jashtme është e vendosur në pozicionin e sipërm dhe diferenca e nivelit është mbi 10 m, rekomandohet vendosja e një bërri për kthimin e vajit çdo 5~8 m në tubin e gazit. Rrezja e bërriut për kthimin e vajit duhet të jetë mbi 10 cm.

### 4.1 ZGJERIMI I TUBAVE

SHËNIM

- Mjetet e nevojshme për zgjerimin e tubave janë prerësi i tubave, alezatori, pajisja zgjeruese dhe mbajtësi i tubave.
- Për modelet R32 të ftohësit, pikat e kyçjes së tubit duhet të vendosen jashtë dhomës.

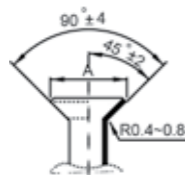
4.1.1 Përdorni një prerës tubash për prerjen e tubit në gjatësinë e kërkuar. Sigurohuni që skaji i prerë të formojë kënd 90° me pjesën anësore të tubit.



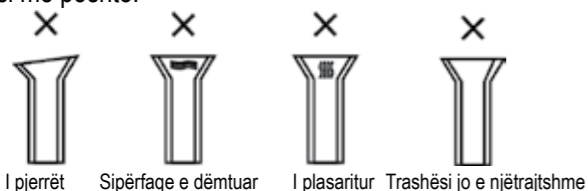
4.1.2 Përdorni një alezator për heqjen e ciftave, duke e mbajtur sipërfaqen e prerë të drejtuar poshtë për të parandaluar futjen e tyre në tub.

4.1.3 Bëni zgjerimin e tubit duke përdorur pajisjet zgjeruese si vijon.

Diametri i jashtëm	A (mm)	
	Maks.	Min.
Ø6,35 mm	8,7	8,3
Ø9,52 mm	12,4	12,0
Ø12,7 mm	15,8	15,4
Ø15,88 mm	19,0	18,6
Ø19,05 mm	23,3	22,9



4.1.4 Kontrolloni nëse zgjerimi është kryer siç duhet. Shihni shembullin e tubave të zgjeruar në mënyrë të pasaktë si më poshtë.

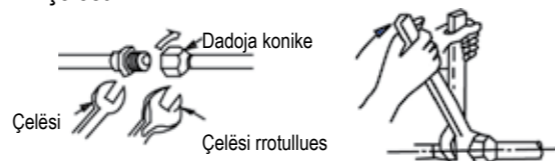


**KUJDES**

- Nëse do të nevojitet kallajisje, kryeni shkrirje me fryrje me gaz azoti.
- Rrotullimi i pasaktë do të shkaktojë dëmtim të zgjerimit ose rrjedhje gazi.

### 4.2 INSTALIMI I TUBAVE

4.2.1 Bashkërendisni qendrën për shtrëngimin e dados konike dhe përfundoni lidhjen duke përdorur dy çelësa.



Madhësia e tubave	Momenti i rrotullimit
Ø6,35 mm	18 ~ 20 N.m
Ø9,52 mm	25 ~ 26 N.m
Ø12,7 mm	35 ~ 36 N.m
Ø15,88 mm	45 ~ 47 N.m
Ø19,05 mm	65 ~ 67 N.m

4.2.2 Zgjidhni materialin e duhur izolues për tubin e agjentit ftohës. (Min. 10 mm, shkumë izolimi termik C)

- Përdorni tuba të veçantë izolimi termik për tubat për gaze dhe për lëngje.
- Trashësia e dhënë më sipër është standarde për temperaturë të brendshme 27°C dhe lagështi 80%. Përforcojeni izolimin nëse instalimi kryhet në kushte të pafavorshme, si p.sh. pranë banjave, kuzhinave dhe vendeve të tjera të ngjashme.
- Izolimi duhet të jetë i tillë që t'i rezistojë temperaturave më larta se 120°C.
- Për të parandaluar futjen e lagështisë, përdorni ngjitës në pjesët e lidhjes së izolimit.
- Riparoni dhe mbuloni të gjitha plasarjet e mundshme të izolimit, veçanërisht kontrolloni pjesën e përkulur ose mbajtësen e tubave.

## 4. INSTALIMI I TUBAVE FTOHËS



SD

### 4.3 TUBI FTOHËS

Shënim: Ftohësi duhet të ngarkohet nga porta e shërbimit në valvulën e ulët të presionit të njësisë së jashtme.

	Gjatësia minimale për reduktimin e dridhjeve dhe të zhurmës jonormale	Gjatësia e përcaktuar për sasinë e agjentit ftohës	Ngarkesa shtesë për metër	
			Ana e lëngut: Ø6,35 mm	Ana e lëngut: Ø9,52 mm
R32*	3 m	5 m	12 g	24 g

\* Përdorni mjetet për sistemin R32.

SHËNIM

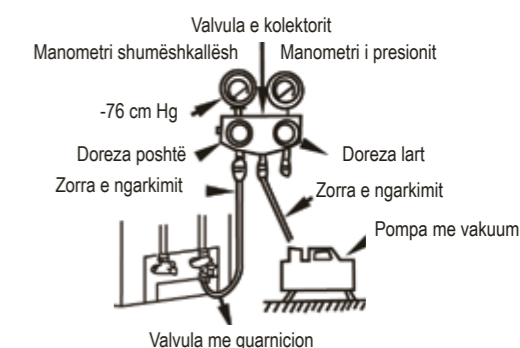
- Gjatësia e tubit të zgjatur do të ndikojë në kapacitetin dhe efikasitetin energjetik të njësisë.
- Efikasiteti nominal testohet në bazë të gjatësisë prej 5 metrash të tubit.
- Kur tubi është më i gjatë se 5 m, duhet të shtohet agjent ftohës shtesë, në varësi të gjatësisë së tubit.
- Gjatësia maksimale e tubit rekomandohet të jetë si më poshtë.

Modelet	Transformator R32	
	Gjatësia maksimale e tubit (m)	Diferenca maksimale në lartësi (m)
9K/12K	25	10

\* Përdorni mjetet për sistemin R32.

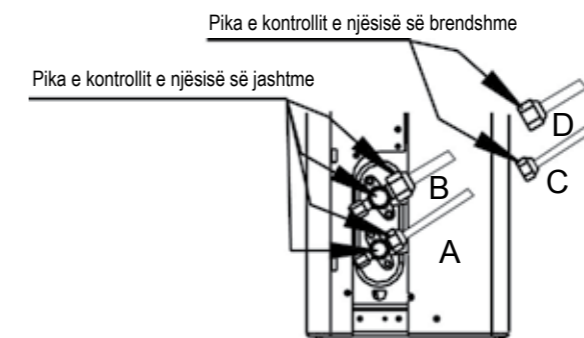
### 4.4 NXJERRJA E AJRIT

- Lidhni zorrën e ngarkimit nga manometri i mbipresionit në folenë e shërbimit të valvulës me garnicion në anën e gazit.
- Lidhni zorrën e ngarkimit me folenë e pompës së vakuimit.
- Hapni plotësisht dorezën poshtë të manometrit të mbipresionit.
- Përdorni pompën e vakuimit për nxjerrjen e ajrit nga sistemi deri në -76 cm Hg.
- Mbyllni dorezën poshtë të manometrit të mbipresionit.
- Hapni plotësisht bishtin e valvulave me garnicion.
- Hiqni zorrën e mbushjes nga foleja e shërbimit.
- Shtrëngoni mirë kapakët e valvulës me garnicion.



### 4.5 TESTI PËR RRJEDHJE

Pasi të keni përfunduar instalimin e tubave, sigurohuni të kontrolloni pjesët e lidhjes së secilit tub ftohës dhe të konfirmoni që nuk ka rrjedhje gazi duke vendosur mbi ta ujë me sapun ose duke përdorur detektor rrjedhjeje të posaçëm për agjentët ftohës HFC. Për ilustrim, drejtoju figurës së mëposhtme.



A: Valvula bllokuese e presionit të ulët

B: Valvula bllokuese e presionit të lartë

C dhe D: Dadot konike të njësisë së brendshme

## KUJDES

- Të gjitha lidhjet elektrike duhet të kryhen nga instalues të kualifikuar dhe të gjitha instalimet elektrike duhet të kryhen sipas skemës së lidhjeve elektrike.
- Përpara çfarëdo lidhjeje tjetër elektrike, kryeni lidhjen e tokëzimit.
- Përpara kryerjes së instalimeve elektrike duhet të shkëputni të gjitha burimet e energjisë dhe të mos i lidhni derisa të siguroheni që i keni kontrolluar të gjitha instalimet për sigurinë.
- Duhet të instalohet një çelës kryesor dhe një automat ose siguresë; kapaciteti duhet të jetë mbi 1,5 herë më i madh se rryma maksimale në qark.
- Duhet të vihet në dispozicion një qark për degën individuale dhe një fole teke për përdorim vetëm për këtë pajisje.
- Prerja tërthore e telave varet nga rryma nominale, si dhe nga kodi kombëtar, qendror dhe vendor për instalimet elektrike. Për kërkesa të posaçme, shikoni kodet vendore të ndërtimit dhe Kodin Kombëtar Elektrik.
- Nëse kordoni elektrik është i dëmtuar, për të shmangur rreziqet, ai duhet të zëvendësohet nga prodhuesi, agjenti i shërbimit ose persona me kualifikim të ngjashëm.
- Njësia duhet të lidhet me burimin kryesor të energjisë me anë të një automati ose çelësi me shkëputje kontakti prej të paktën 3 mm në të gjitha polet. Këshillohet instalimi i një pajisjeje me rrymë të mbetur (RCD) dhe rrymë të mbetur nominale pune që nuk i tejkalon 30 mA.
- Kjo pajisje ka lidhje tokëzimi vetëm për qëllime funksionale.

### Rryma nominale e secilit model

Modeli	Rryma nominale (A)	Parametrat e siguresës (A)	Kordoni elektrik (me prerje tërthore min.)	Kabloja lidhëse (me prerje tërthore min.)
38QHP09E8S-1	13,0	20	3*1,5 mm <sup>2</sup>	5*1,5 mm <sup>2</sup>
38QHP12E8S-1	13,0	20	3*1,5 mm <sup>2</sup>	5*1,5 mm <sup>2</sup>

### VINI RE:

- Të gjithë telat elektrikë duhet të kenë madhësitë e specifikuara në kodin kombëtar, qendror dhe vendor të instalimeve elektrike. Shikoni kodet vendore të ndërtimit dhe Kodin Kombëtar Elektrik për kërkesa të posaçme.
- Kordoni elektrik i njësive së jashtme dhe kabloja ndërlidhëse duhet të jenë të llojit H07RN-F.
- Rryma nominale e pajisjes tregohet në pllakën e specifikimeve.
- Specifikimi i siguresës së njësive së jashtme është T20A / 250VAC (vlenë vetëm për njësi ftohëse të adpot R32)  
Shënim: Siguresa është bërë prej qeramike.



### Diagrami i lidhjeve

Modeli	Njësia e brendshme	Njësia e jashtme
QHP09 QHP12	 Për në natyrë	 Fuqia hyrëse Për brenda

### Instalimi i unazës magnetike

Vini re: Blloku i terminaleve mund të ndryshojë në varësi të modeleve.

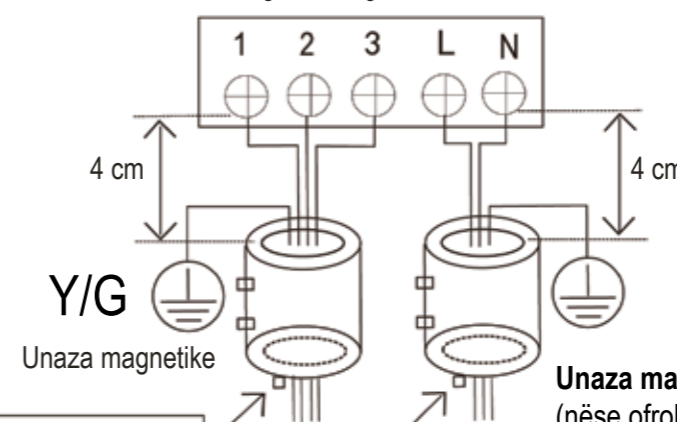
#### Njësia e brendshme



#### Unaza magnetike

(nëse ofrohet dhe është paketuar me aksesoret)  
Kaloni rripin përmes vrimës së unazës magnetike për ta fiksuar në kablo

#### Njësia e jashtme



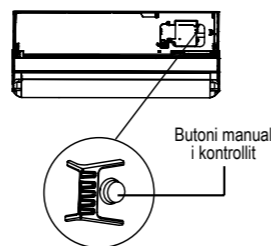
Kaloni rripin përmes vrimës së unazës magnetike për ta fiksuar në kablo

**Unaza magnetike**  
(nëse ofrohet dhe është paketuar me aksesoret)

### 6.1 LISTA E KONTROLLEVE PËRFUNDIMTARE

Për të përfunduar instalimin, kryeni kontrollet e mëposhtme përpara kryerjes së provës.

- Kontrolloni qëndrueshmërinë e vendit të instalimit për anët e brendshme dhe të jashtme. Konfirmoni që nuk ka bllokim të daljes së ajrit apo rikthim të ajrit në njësi.
- Kontrolloni fortësisë e lidhjes së tubave ftohës. Konfirmoni që nuk ka rrjedhje
- Kontrolloni nëse lidhjet elektrike janë kryer saktë dhe nëse njësia ka lidhje tokëzimi
- Kontrolloni gjatësinë e përgjithshme të tubave dhe regjistroni vëllimin e agjentit ftohës shtesë të ngarkuar
- Burimi i energjisë duhet të përputhet me tensionin nominal të kondicionerit
- Kontrolloni izolimin e tubit
- Kontrolloni shkarkimin



### 6.2 PËRDORIMI MANUAL

Përdorimi manual mund të bëhet duke shtypur butonin manual

Shtypni vazhdimisht butonin manual për të ndryshuar modalitetet si vijon:

- Një herë = modaliteti "AUTO (Automatik)" [ngrohje, ftohje ose ventilator, në 24°C dhe shpejtësi automatike ventilatori.
- Dy herë = modaliteti "COOLING (Ftohje)" [kaloni në modalitetin "AUTO (Automatik)" pas 30 minutave (përdoret kryesisht për qëllime testimi)]
- Tri herë = FIKJE

### 6.3 KRYERJA E PROVËS

Caktojini kondicionerin në modalitetin "COOLING (Ftohje)" me anë të telekomandës (ose me butonin manual) dhe kontrolloni gjendjen e funksionimit të njësisë së brendshme dhe njësisë së jashtme. Në rast keqfunksionimi, zgjidheni duke vepruar në përputhje me kapitullin "Zgjidhja e problemeve" të "Manuali i shërbimit".

#### Njësia e brendshme

- Nëse punojnë mirë butonat (si "ON/OFF (Ndezje/Fikje)", "MODE (Modaliteti)", "TEMPERATURE (Temperatura)", "FAN SPEED (Shpejtësia e ventilatorit)" etj.) në telekomandë.
- Nëse grila e ajrimit lëviz normalisht.
- Nëse temperatura e dhomës është rregulluar siç duhet.
- Nëse dritat treguese në panelin e ekranit janë normale.
- Nëse butoni "manual" punon mirë.
- Nëse shkarkimi është normal.
- Nëse ka dridhje apo zhurmë jonormale gjatë funksionimit.
- Nëse njësia e brendshme punon mirë në modalitetin e ftohjes ose të ngrohjes.

#### Njësia e jashtme

- Nëse ka dridhje apo zhurmë jonormale gjatë funksionimit.
- Nëse qarkullimi i ajrit, zhurma ose uji i kondensuar të krijuara nga kondicioneri shqetësojnë fqinjët tuaj.
- Nëse ka rrjedhje të agjentit ftohës.

#### ⚠ KUJDES

- Gjatë rindezjes së njësisë, funksionimi i kompresorit do të vonohet me 3 minuta për mbrojtjen e tij.

### 7.1 KONTROLLET NË ZONË

Përpara se të nisni punën në sisteme që përmbajnë agjentë të ndezshëm ftohës, nevojiten kontrolle sigurie për të garantuar minimizimin e rrezikut të ndezjes. Për riparimin e sistemit të ftohjes, duhen ndjekur masat e mëposhtme paraprake përpara kryerjes së punimeve në sistem.

### 7.2 PROCEDURA E PUNËS

Punimet duhen kryer me procedura të kontrolluara për të minimizuar rrezikun e pranisë së gazeve apo të avujve të ndezshëm gjatë kryerjes së punimeve.

### 7.3 ZONA E PËRGJITHSHME E PUNËS

I gjithë stafi i mirëmbajtjes dhe persona të tjerë që punojnë në terren duhet të marrin udhëzime për natyrën e punës që po kryhet. Duhet të evitohen punimet në hapësira të ngushta. Zona përreth hapësirës së punimeve duhet të veçohet. Sigurohuni që kushtet brenda zonës të jenë të sigurta duke pasur nën kontroll materialet e ndezshme.

### 7.4 KONTROLI PËR PRANINË E AGJENTIT FTOHËS

Zona duhet të kontrollohet me një detektor të përshtatshëm të agjentit ftohës përpara dhe gjatë punimeve, për të garantuar që tekniku të jetë në dijeni të atmosferave potencialisht të ndezshme. Sigurohuni që pajisjet e përdorura për diktimin e rrjedhjeve të jenë të përshtatshme për përdorim me agjentë të ndezshëm ftohës, p.sh. pa shkëndija, me izolimin e duhur ose që janë vetë të parrezikshme.

### 7.5 PRANIA E FIKËSIT TË ZJARRIT

Nëse kryhen punime në të nxehtë mbi pajisjet e ftohjes ose në pjesë të tjera përkatëse, duhet të mbani pranë mjetet e duhura zjarrfikëse. Pranë zonës së mbushjes mbani një fikës zjarri me CO<sub>2</sub> ose me pluhur të thatë.

### 7.6 ASNJË BURIM NDEZJEJE

Askush që kryen punime që prekin sistemin e ftohjes dhe që mund të përfshijë ekspozimin e ndonjë tubacioni që përmban apo ka pasur më herët agjent të ndezshëm ftohës nuk duhet të lejohet t'i përdorë burimet e ndezjes në mënyrë të atillë që mund të shkaktojë rrezik zjarri apo shpërthimi. Të gjitha burimet e mundshme të ndezjes, duke përfshirë tymosjen e cigareve, duhet të jenë sa më larg nga vendi i instalimit, riparimit, heqjes dhe hedhjes, në të cilin mund të çlirohet agjenti i ndezshëm ftohës në hapësirën përreth. Përpara se të kryhen punimet, zona përreth pajisjes duhet të inspektohet për t'u siguruar që të mos ketë rreziqe zjarri apo ndezjeje. Duhet të afishohen tabelat "NDALOHET DUHANI".

### 7.7 ZONA E AJROSUR

Sigurohuni që zona të jetë në vend të hapur dhe që të ajroset mirë përpara se të ndërhyhet në sistem ose të kryhet ndonjë punim në të nxehtë. Njëfarë ajrosjeje duhet të vazhdojë gjatë periudhës që kryhet puna. Ajrosja duhet të shpërndajë në formë të sigurt agjentin e çliuar ftohës dhe mundësisht ta nxjerrë jashtë në atmosferë.

### 7.8 KONTROLLET NË PAJISJET FTOHËSE

Në rastet ku ndërrohen komponentët elektrikë, këta të fundit duhet të jenë të përshtatshëm për qëllimin dhe të kenë specifikimin e duhur. Udhëzimet e prodhuesit për mirëmbajtjen dhe shërbimin duhen ndjekur në çdo kohë. Nëse keni dyshime, konsultohuni me departamentin teknik të prodhuesit për asistencë. Duhet kryer kontrollet e mëposhtme në instalimet që përdorin agjentë të ndezshëm ftohës:

- masa e ngarkesës është në përputhje me madhësinë e dhomës brenda së cilës instalohen pjesët që përmbajnë agjentin ftohës;
- makineria dhe daljet e ajrosjes punojnë në rregull dhe nuk kanë pengesa;
- nëse përdoret një qark indirekt ftohës, qarqet dytësore duhen kontrolluar për praninë e agjentit ftohës; shënimi në pajisje vijon të jetë i dukshëm dhe i lexueshëm.
- shënimi dhe shenjat që janë të palexueshme duhen korigjuar;
- tubi ose komponentët e ftohjes instalohen në një pozicion që nuk ka gjasë të ekspozohet ndaj substancave që mund të gërryjnë komponentët që përmbajnë agjentin ftohës, përveç nëse komponentët përbëhen nga materiale që i rezistojnë vetvetiu gërryerjes ose që mbrohen në formën e duhur ndaj kësaj gërryerjeje.

### 7.9 KONTROLLET NË PAJISJET ELEKTRIKE

Riparimi dhe mirëmbajtja e komponentëve elektrikë duhet të përfshijë kontrollet fillestare të sigurisë dhe procedurat e inspektimit të komponentëve. Nëse ka problem që mund të cenojë sigurinë, atëherë në qark nuk duhet lidhur asnjë linjë ushqimi elektrik pa u zgjidhur më parë problemi. Nëse problemi nuk mund të zgjidhet menjëherë, por puna është e domosdoshme dhe nuk mund të ndërpritet, duhet gjetur një zgjidhje e duhur e përkohshme. Kjo i duhet raportuar pronarit të pajisjes në mënyrë që të jenë në dijeni të gjitha palët.

#### Kontrollet fillestare të sigurisë duhet të përfshijnë sa vijon:

- kondensatorët të jenë shkarkuar: kjo duhet kryer në mënyrë të sigurt për të evituar mundësinë e shkëndijave
- të mos ketë komponentë elektrikë me ngarkesë dhe tela të ekspozuar gjatë mbushjes, rikuperimit ose spastrimit të sistemit;
- të mos ketë ndërprerje të tokëzimit.

### 7.10 RIPARIMET NË KOMPONENTËT E IZOLUAR

- 10.1 Gjatë riparimeve në komponentët e izoluar, të gjitha pikat e furnizimit me energji duhet të shkëputen nga pajisjet ku po punohet përpara heqjes së kapakëve të izoluar etj. Nëse është absolutisht e domosdoshme që pajisjet të kenë furnizim me energji gjatë mirëmbajtjes, atëherë duhet të instalohet një formë e përhershme diktimit të rrjedhjeve në pikën më kritike për të paralajmëruar për situata të mundshme rreziku.
- 10.2 U duhet kushtuar vëmendje e veçantë rasteve të mëposhtme për t'u siguruar që gjatë punës në komponentët elektrikë, kasa të mos modifikohet në forma të atilla që mund të cenojnë shkallën e mbrojtjes. Kjo përfshin dëmtimin e kablove, numrin e tepruar të lidhjeve, terminalët që nuk përmbushin specifikimin origjinal, dëmtimin e guarnicioneve, vendosjen e gabuar të permistopave etj.
- Sigurohuni që aparati të jetë montuar në formë të sigurt.
  - Sigurohuni që guarnicionet ose materialet izoluese të mos degradojnë deri në atë masë sa të mos shërbejnë më për parandalimin e hyrjes së gazeve të ndezshme. Pjesët e këmbimit duhet të jenë në përputhje me specifikimet e prodhuesit.

SHËNIM: Përdorimi i izolantit të silikonit mund të pengojë efikasitetin e disa tipave pajisjesh për diktimin e rrjedhjeve. Komponentët që janë vetë të sigurt nuk kanë pse izolohen përpara se punohet me ta.

### 7.11 RIPARIMET NË KOMPONENTËT VETVETIU TË SIGURT

Mos vendosni ngarkesa të përhershme përcuese ose vëllimi në qark pa garantuar që kjo të mos tejkalojë tensionin e lejuar dhe rrymën e lejuar për pajisjet në përdorim. Ndërsa ndodheni në praninë e gazeve të ndezshme mund të punoni vetëm me komponentë vetvetiu të sigurt. Aparati i testimit duhet të jetë në normimin e duhur. Ndërroni komponentët vetëm me pjesët e përcaktuara nga prodhuesi. Pjesët e tjera mund të shkaktojnë ndezjen e agjentit ftohës në atmosferë për shkak të ndonjë rrjedhjeje.

### 7.12 KABLLOT

Kontrolloni që kabllo të mos i nënshtrohen konsumit, gërryerjes, trysnisë të tepërt, dridhjeve, skajeve të mprehta apo ndikimeve të tjera negative mjedisore. Kontrolli duhet të marrë gjithashtu parasysh pasojat e vjetërimit ose të dridhjeve të vazhdueshme nga burime si kompresorët apo ventilatorët.

### 7.13 DIKTIMI I AGJENTËVE TË NDEZSHËM FTOHËS

Në asnjë rast burimet e mundshme të ndezjes nuk duhen përdorur për kërkimin apo diktimin e rrjedhjeve të agjentit ftohës. Nuk duhet përdorur elektrik halogjen (apo detektor tjetër me flakë të hapura).

### 7.14 MËNYRAT E DIKTIMIT TË RRJEDHJEVE

Mënyrat e mëposhtme për diktimin e rrjedhjeve gjykohen si të pranueshme për sistemet që përmbajnë agjentë të ndezshëm ftohës. Duhet përdorur detektorë elektronikë rrjedhjeje për diktimin e agjentëve të ndezshëm ftohës, por ndjeshmëria mund të mos jetë e përshtatshme ose mund të nevojitet rikalibrimi. (Pajisjet e diktimit duhen kalibruar në zona pa agjentë ftohës.) Sigurohuni që detektori të mos jetë burim i mundshëm ndezjeje dhe të jetë i përshtatshëm për agjentin ftohës. Pajisjet e diktimit të rrjedhjeve duhen caktuar në përqindjen e LFL-së së agjentit ftohës, duhen kalibruar sipas agjentit ftohës të përdorur dhe duhet konfirmuar përqindja e duhur e gazit (maksimumi 25%). Lëngjet për diktimin e rrjedhjeve janë të përshtatshme për përdorim me shumicën e agjentëve ftohës, por përdorimi i detergjenteve me përmbajtje klori duhet evituar, pasi klori mund të veprojë me agjentin ftohës dhe të gërryjë tubacionin prej bakri. Nëse dyshohet për rrjedhje, të gjitha flakët e hapura duhen hequr ose fikur. Nëse vërehet rrjedhje e agjentit ftohës që kërkon saldim, i gjithë agjenti ftohës duhet nxjerrë nga sistemi ose duhet izoluar (nëpërmjet valvulave mbyllëse) në një pjesë të sistemit larg nga rrjedhja. Azoti pa oksigjen (OFN) duhet spastruar në vijim nga sistemi edhe përpara edhe pas procesit të saldimit.

### 7.15 HEQJA DHE NXJERRJA

Në raste ndërhyrjeje në qarkun e agjentit ftohës për riparime ose qëllime të tjera duhen përdorur procedura konvencionale. Por është e rëndësishme që të ndiqen praktikatat e mira pasi duhet marrë parasysh ndezshmëria. Duhet ndjekur procedura e mëposhtme:

- hiqni agjentin ftohës;
- spastroni qarkun me gaz inert;
- nxirrni gazin;
- rispastroni me gaz inert;
- hapeni qarkun me prerje ose saldim.

Mbushja me agjent ftohtës duhet të rikuperohet në cilindrat e duhur të rikuperimit. Sistemi duhet të shpëlahet me azot pa oksigjen për të garantuar sigurinë e njësisë. Mund të nevojitet që ky proces të përsëritet disa herë.

Nuk duhet përdorur ajër i komprimuar apo oksigjen për këtë punë.

Shpëlarja duhet të kryhet duke hequr vakuumin nga sistemi me anë të azotit pa oksigjen dhe duke vijuar me mbushjen derisa të arrihet presioni i punës, në vijim duke e çajrosur atmosferën dhe duke e zbrazur së fundi deri në vakuum. Ky proces duhet të përsëritet derisa të mos mbesë më agjent ftohës në sistem.

Kur të përdoret mbushja e fundit me azot pa oksigjen, sistemi duhet të çajroset deri në presionin atmosferik që mundëson kryerjen e punës. Ky veprim është i rëndësishëm kritikë nëse në tubacion do të kryhen punime saldimi. Sigurohuni që dalja e pompës së vakuimit të mos mbyllet në burime ndezjeje dhe që të ketë ajrosje.



### 7.16 PROCEDURAT E MBUSHJES

Përveç procedurave konvencionale të mbushjes, duhen ndjekur kërkesat e mëposhtme:

- Sigurohuni që të mos ketë ndotje nga agjentë të ndryshëm ftohës kur përdorni pajisje mbushjeje. Zorrët ose linjat duhet të jenë sa më të shkurtra për të zvogëluar sasinë e agjentit ftohës që përmbajnë.
- Cilindrat duhet të mbahen vertikalisht.
- Sigurohuni që sistemi i ftohjes të tokëzohet përpara se sistemi të mbushet me agjent ftohës.
- Etiketoheni sistemin pasi të përfundojë mbushja (nëse nuk e keni bërë më parë).
- Duhet të bëni kujdes maksimal që të mos e mbushni më shumë seç duhet sistemin e ftohjes.
- Përpara rimbushjes sistemi duhet të testohet me azot pa oksigjen. Sistemi duhet të testohet për rrjedhje me përfundimin e mbushjes, por përpara vënies në punë. Testimi pasues për rrjedhje

### 7.17 NXJERRJA NGA PUNA

Përpara se të kryhet kjo procedurë, është thelbësore që tekniku ta njohë tërësisht pajisjen dhe të gjitha të dhënat e saj. Rekomandohet si praktikë e mirë që të gjithë agjentët ftohës të rikuperohen në mënyrë të sigurt. Përpara se të kryhet puna, duhet marrë një kampion vaji dhe agjenti ftohës.

Në rast se nevojitet analizë përpara ripërdorimit të agjentit të mbledhur ftohës, është thelbësore që të ketë energji elektrike përpara se të fillojë puna.

- Njihuni me pajisjen dhe funksionimin e saj.
- Izoloni sistemin nga ana elektrike
- Përpara se të provoni procedurën, sigurohuni që:
  - të ketë pajisje për përdorimin mekanik, nëse paraqitet nevoja, të cilindrave të agjentit ftohës;
  - të gjitha pajisjet mbrojtëse personale të jenë në dispozicion dhe të përdoren siç duhet;
  - procesi i rikuperimit të mbikëqyret në çdo kohë nga një person kompetent;
  - pajisjet dhe cilindrat e rikuperimit të jenë në përputhje me standardet përkatëse.
- Pastroni sistemin e ftohjes me pompë nëse është mundur.
- Nëse nuk mund të krijoni vakuum, krijoni një tubacion të degëzuar që të mund ta hiqni agjentin ftohës nga pjesë të ndryshme të sistemit.
- Sigurohuni që cilindri të vendoset në gradacion përpara kryerjes së rikuperimit.
- Ndizni makinerinë e rikuperimit dhe përdoreni në përputhje me udhëzimet e prodhuesit.
- Mos i mbushni cilindrat më shumë seç duhet. (Mbushje jo mbi 80% të vëllimit të lëngët).
- Mos e tejkaloni presionin maksimal të punës të cilindrit, as përkohësisht.
- Kur cilindrat të jenë mbushur siç duhet dhe procesi të ketë përfunduar, sigurohuni që cilindrat dhe pajisja të hiqen menjëherë nga vendi dhe që të mbyllen të gjitha valvulat e izolimit në pajisje.
- Agjenti i rikuperuar ftohës nuk duhet të përdoret për mbushje në sistem tjetër ftohjeje, përveç nëse është pastruar dhe kontrolluar.

### 7.18 ETIKETIMI

Pajisjet duhet të etiketohen me deklaratën se janë nxjerrë jashtë pune dhe iu është zbrazur agjenti ftohës. Etiketa duhet të mbajë datën dhe nënshkrimin. Sigurohuni që në pajisje të ketë etiketa me deklaratën se pajisja përmban agjent të ndezshëm ftohës.

### 7.19 RIKUPERIMI

- Kur agjenti ftohës nxirret nga një sistem, qoftë për shërbim apo nxjerrje jashtë pune, rekomandohet si praktikë e mirë që të gjithë agjentët ftohës të hiqen në mënyrë të sigurt.
- Kur transferohet agjent ftohës në cilindra, sigurohuni që të përdoren vetëm cilindrat e duhur të rikuperimit të agjentit ftohës. Sigurohuni që të jetë në dispozicion numri i duhur i cilindrave për mbajtjen e të gjithë vëllimit të sistemit. Të gjithë cilindrat për përdorim përcaktohen për agjentin e rikuperuar ftohës dhe etiketohen për atë agjent ftohës (p.sh. cilindra të posaçëm për rikuperimin e agjentit ftohës). Cilindrat duhet të jenë të plotë me valvulë funksionale për çlirimin e presionit dhe valvulat përkatëse funksionale mbyllëse.
- Cilindrat e zbrazët të rikuperimit evakuohen dhe, sipas mundësisë, ftohen përpara kryerjes së rikuperimit.
- Pajisjet e rikuperimit duhet të jenë në gjendje të mirë pune me një grup udhëzimesh për pajisjen që po përdoret dhe duhet të jenë të përshtatshme për rikuperimin e agjentëve të ndezshëm ftohës. Për më tej, një grup peshorësh të kalibruara duhet të jenë në dispozicion dhe në gjendje të mirë pune.
- Zorrët duhet të jenë të plota me xhunto shkëputëse pa rrjedhje dhe në gjendje të mirë. Përpara përdorimit të makinerisë së rikuperimit, kontrolloni nëse është në gjendje të kënaqshme pune, nëse është mirëmbajtur siç duhet dhe që pjesët përkatëse elektrike përkatëse të jenë izoluar për të parandaluar ndezjen në rast çlirimi të agjentit ftohës. Konsultohuni me prodhuesin nëse keni dyshime.
- Agjenti i rikuperuar ftohës duhet t'i kthehet furnitorit të agjentit ftohës në cilindrin e duhur të rikuperimit, dhe me deklaratën përkatëse të përgatitur për transferimin e mbetjeve. Mos përzieni agjentë ftohës në njësitë e rikuperimit dhe sidomos jo në cilindra.
- Nëse hiqen kompresorët ose vajrat e kompresorëve, sigurohuni t'i evakuoni deri në një masë të pranueshme për t'u siguruar që agjenti i ndezshëm ftohës të mos mbetet me lubrifikantin. Procesi i evakuimit duhet të kryhet përpara kthimit të kompresorit te furnitorët. Për përshtetimin e këtij procesi duhet përdorur vetëm ngrohje elektrike për trupin e kompresorit. Në rast shkarkimi të vajit nga një sistem, veprimi duhet kryer me kujdes.

### 7.20 TRANSPORTI, MARKIMI DHE MAGAZINIMI I NJËSIVE

- Transporti i pajisjeve që përmbajnë agjentë të ndezshëm ftohës  
Pajtueshmëria me rregulloret e transportit
- Markimi i pajisjeve me shenja  
Pajtueshmëria me rregulloret vendore
- Hedhja e pajisjeve që përdorin agjentë të ndezshëm ftohës  
Pajtueshmëria me rregulloret kombëtare
- Magazinimi i pajisjeve/aparaturave  
Magazinimi i pajisjeve duhet të bëhet në përputhje me udhëzimet e prodhuesit.
- Magazinimi i pajisjeve të paketuara (të pashitura)  
Mbrojtja e paketimeve të magazinimit duhet të organizohet e tillë që dëmtimi mekanik i pajisjes që ndodhet brenda paketimit të mos shkaktë rrjedhje të agjentit ftohës me të cilin është mbushur.  
Numri maksimal i pajisjeve të lejuara për magazinim së bashku duhet të përcaktohet nga rregulloret vendore.

Ovaj proizvod je usaglašen sa Direktivom o niskonaponskoj opremi (2014/35/EU), kao i sa Direktivom o elektromagnetskoj kompatibilnosti (2014/30/EU) Evropske unije.



## Pravilno odlaganje proizvoda (elektrotehnički i elektronski otpad)

(Pri korišćenju klima-uređaja u evropskim zemljama, obavezno je pratiti sledeća uputstva)

- Ova oznaka na proizvodu ili u dokumentaciji ukazuje na to da električni i elektronski otpad (naveden kao WEEE u direktivi 2012/19/EZ) ne sme da se meša sa komunalnim otpadom. Odlaganje ovog uređaja sa komunalnim otpadom je zabranjeno. Za potrebe odlaganja postoji nekoliko mogućnosti:
  1. Lokalna uprava je odredila sisteme prikupljanja u okviru kojih korisnik može besplatno da odlaže elektronski otpad.
  2. Prilikom kupovine novog proizvoda, prodavac besplatno preuzima stari proizvod.
  3. Proizvođač preuzima stari proizvod radi odlaganja na otpad, što je besplatno za korisnika.
  4. Budući da stari proizvodi sadrže vredne sekundarne sirovine, možete da ih prodate trgovcima otpadnim materijalima. Divlje odlaganje otpada u šume i prirodno okruženje ugrožava vaše zdravlje, jer opasne materije dospevaju u podzemne vode i tim putem u lanac ishrane.

Ovaj proizvod sadrži fluorisane gasove obuhvaćene Kjoto sporazumom.

Hemijski naziv gasa	R32
Potencijal globalnog zagrevanja (PGZ) gasa	675

### OPREZ

1. Postavite priloženu nalepnicu sa podacima o rashladnom sredstvu neposredno uz napajanje i/ili odložite na sigurno mesto.
2. Koristeći neizbrisivo mastilo, čitkim slovima na nalepnici napišite količinu korišćenog rashladnog sredstva.
3. Sprečite emisiju fluorisanog gasa iz sistema. Pobrinite se da nikako ne dođe do ispuštanja fluorisanog gasa u atmosferu tokom ugradnje, popravke ili odlaganja uređaja. Ukoliko se ustanovi da je došlo do curenja fluorisanog gasa iz sistema, potrebno je sprečiti dalje curenje i što hitnije moguće izvršiti popravku.
4. Jedino ovlašćeni serviseri smeju da pristupe ovom proizvodu i izvrše popravke.
5. Svako postupanje sa fluorisanim gasom u ovom uređaju, kao na primer prilikom premeštanja proizvoda ili dopune gasa, mora biti u skladu sa (EZ) Regulativom br. 517/2014 o određenim fluorisanim gasovima sa efektom staklene bašte kao i sa relevantnim lokalnim zakonodavstvom.
6. Ako postrojenje ima ugrađen sistem za detekciju curenja, ono mora da se proverava u pogledu curenja najmanje svakih 12 meseci
7. Ako se jedinica proverava u pogledu curenja, strogo se preporučuje adekvatno dokumentovanje svake provere.

Unutrašnja jedinica	Spoljašnja jedinica	Nazivni napon i Hz
42QHP09E8S-1	38QHP09E8S-1	220-240V~, 50Hz
42QHP12E8S-1	38QHP12E8S-1	

Proizvođač zadržava pravo da promeni specifikacije bilo kog svog proizvoda bez prethodne najave.

## SADRŽAJ

<b>1. PRIPREMA ZA UGRADNJU.....</b>	<b>3</b>
1.1 Sigurnosne mere .....	3
1.2 Dodatna oprema .....	5
1.3 Odabir mesta ugradnje .....	6
<b>2. UGRADNJA UNUTRAŠNJE JEDINICE .....</b>	<b>7</b>
2.1 Ugradna ploča unutrašnje jedinice .....	7
2.2 Proces ugradnje .....	8
<b>3. UGRADNJA SPOLJAŠNJE JEDINICE .....</b>	<b>9</b>
3.1 Dimenzije za ugradnju spoljašnje jedinice .....	9
3.2 Prostor potreban za spoljašnju jedinicu .....	9
3.3 Spoljašnji priključak za instalaciju .....	10
3.4 Ugradnja spoljašnje jedinice .....	10
3.5 Ugradnja cevi za odvod na spoljašnjoj jedinici .....	10
<b>4. RAD SA CEVIMA ZA RASHLADNO SREDSTVO .....</b>	<b>11</b>
4.1 Ivičenje .....	11
4.2 Rad sa cevima .....	11
4.3 Cev za rashladno sredstvo .....	12
4.4 Pražnjenje vazduha .....	12
4.5 Test curenja .....	12
<b>5. OŽIČAVANJE .....</b>	<b>13</b>
<b>6. FINALNE OPERACIJE PROVERE I PROBNOG RADA.....</b>	<b>14</b>
6.1 Lista za finalnu proveru .....	14
6.2 Ručno podešavanje.....	14
6.3 Probni rad .....	14
<b>7. INFORMACIJE O SERVISIRANJU .....</b>	<b>15</b>



Oprez: Rizik od požara samo zarashladnosredstvo R32/R290

## 1.1 SIGURNOSNE MERE

- Ugradnja, prvo pokretanje i održavanje jedinica klima-uređaja mogu biti opasni usled pritiska pod kojim se sistem nalazi, električnih komponenti i lokacije jedinica (krovovi, izdignute strukture itd).
- Ugradnju, prvo pokretanje i održavanje jedinica trebalo bi da obavljaju isključivo obučeni, kvalifikovani serviseri.
- Tokom rada na jedinicama, vodite računa o merama predostrožnosti navedenim u dokumentaciji, kao i na etiketama, nalepnicama i oznakama koje se nalaze na uređaju.
- Pridržavajte se svih bezbednosnih standarda. Nosite zaštitne naočare i rukavice. Prilikom lemljenja imajte u blizini krpu i aparat za gašenje požara. Budite pažljivi u rukovanju, dizanju, ispuštanju i postavljanju glomazne opreme.
- Detaljno proučite ova uputstva i poštujujte sva upozorenja i mere opreza koja se nalaze u dokumentaciji i na samom uređaju. Informišite se o lokalnim građevinskim propisima i nacionalnim standardima za korišćenje električnih uređaja.

### ! UPOZORENJE

Ovaj simbol označava opasnost od povrede ili smrti.

- **Rashladni gas je teži od vazduha i potiskuje kiseonik. Veće curenje gasa može izazvati sniženje koncentracije kiseonika u vazduhu, posebno ukoliko je reč o podrumskim prostorijama, i može se javiti opasnost od gušenja što može izazvati ozbiljne povrede ili imati smrtni ishod.**
- **Ako se klima-uređaj ugrađuje u malu prostoriju, postarajte se da obezbedite odgovarajuće mere da količina isurelog rashladnog sredstva ne bi prekoračila kritični nivo.**
- **Ukoliko tokom ugradnje dođe do curenja gasa, potrebno je smesta provetriti prostoriju.**  
Rashladni gas može proizvesti toksični gas ukoliko dođe u kontakt sa vatrom od uređaja kao što su izduvna grejalica, šporet ili drugi aparati za kuvanje. Izlaganje ovom gasu može izazvati ozbiljne povrede ili smrt.
- **Isključite napajanje pre nego što pokušate da obavite bilo kakvu električnu popravku. Ispravno povežite priključni kabl.**  
Neispravno povezivanje može dovesti do kvara na električnim delovima.
- **Koristite navedene kablove za električno povezivanje i prikačite žice čvrsto na priključni blok koji povezuje delove tako da spoljna sila nije napregnuta prema priključku.**
- **Obavezno obezbedite uzemljenje.**  
Nemojte da vršite uzemljenje za gasovode, vodovodne cevi, gromobrane ili telefonske žice. Nepotpuno uzemljenje bi moglo da dovede do ozbiljnog rizika od strujnog udara čije bi posledice mogle biti povreda ili smrt.
- **Ambalažu odložite na bezbedan način.**  
Delovi ambalaže, kao što su ekseri i drugi metalni ili drveni delovi, mogu izazvati ubod ili druge povrede. Pocepajte i bacite plastičnu ambalažu da se deca ne bi igrala sa njom. Deci koja se igraju sa plastičnom ambalažom preči opasnost od gušenja.
- **Ne ugrađujte uređaj u blizini visokih koncentracija zapaljivog gasa ili gasnih isparenja.**
- **Obavezno koristite isporučene ili tačno navedene delove za ugradnju.**  
Korišćenje drugih delova može dovesti do curenja vode, strujnog udara, požara ili oštećenja opreme.
- **Prilikom ugradnje ili premeštanja sistema, ne dozvolite da vazduh ili bilo koje druge supstance, osim predviđenog rashladnog sredstva (R410A), uđu u rashladno kolo.**
- **Nikad ne vršite izmene uređaja uklaňanjem bezbednosnih zaštita ili prespajanjem bezbednosnih prekidača.**
- **Električni radovi treba da se obavljaju u skladu sa uputstvom za ugradnju i nacionalnim, državnim i lokalnim propisima u oblasti standarda za električne vodove.**

### ! UPOZORENJE

- **Postarajte se da koristite namensko električno kolo. Nikada nemojte deliti istu utičnicu sa drugim uređajem.**
- **Da biste izbegli opasnost usled nenamernog resetovanja termoprekidača, na napajanju ovog uređaja ne sme da se nalazi eksterni prekidač, kao što je na primer vremenski programator, niti uređaj sme da se napaja putem mreže na kojoj snabdevanje nije redovno.**
- **Koristite namenske kablove za povezivanje izolovane izolacionom navlakom odgovarajućeg temperaturnog indeksa.**  
Neodgovarajući kablovi mogu da dovedu do električnih gubitaka, nepravilne proizvodnje toplote ili požara.
- **Nemojte koristiti sredstva za ubrzavanje procesa odmrzavanja niti sredstva za čišćenje koja proizvođač nije preporučio.**
- **Uređaj montirajte u prostoriju u kojoj nema neprekidno aktivnih izvora plamena (npr. otvorenog plamena, aktivnog uređaja na gas ili aktivne grejalice na struju)**
- **Uređaj nemojte probadati niti paliti.**
- **Imajte na umu da rashladna sredstva možda neće imati miris.**
- **Uređaj čuvajte u dobro provetrenoj prostoriji veličine koja odgovara prostoriji namenjenoj za njegovu upotrebu.**
- **Za modele sa rashladnim sredstvom R32:**  
Uređaj treba montirati, pustiti u rad i čuvati u prostoriji sa površinom poda većom od 4 m<sup>2</sup>.  
Uređaj se ne sme montirati u neprovetrenoj prostoriji površine manje od 4 m<sup>2</sup>.
- **Za modele sa rashladnim sredstvom R290, neophodna je sledeća minimalna veličina prostorije:**  
jedinice ≤9000Btu/h: 13 m<sup>2</sup>  
jedinice >9000Btu/h i ≤12000Btu/h: 17 m<sup>2</sup>  
jedinice >12000Btu/h i ≤18000Btu/h: 26 m<sup>2</sup>  
jedinice >18000Btu/h i ≤24000Btu/h: 35 m<sup>2</sup>

### ! OPREZ

Ovaj simbol ukazuje na mogućnost oštećenja imovine ili ozbiljnih posledica.

- **Da biste izbegli povrede, budite pažljivi kada rukujete delovima sa oštrim ivicama.**
- **Ne ugrađujte unutrašnju ili spoljašnju jedinicu na lokacijama sa posebnim klimatskim uslovima.**
- **Ne ugrađujte na mestu koje može da pojača nivo buke ili gde buka i izlazni vazduh mogu da smetaju susedima.**
- **Omogućite bezbedan rad odvodnog sistema/cevi u skladu sa uputstvom za ugradnju.**  
Neadekvatno ugrađen sistem za odlivanje može dovesti do curenja vode i oštećenja imovine.
- **Ne ugrađujte klima-uređaj na sledećim mestima.**
  - Mesto gde ima naftnih derivata ili arsenatne kiseline.
  - Mesto gde korozivni gas (kao što je sumporasta kiselina) ili zapaljivi gas (kao što je razređivač) može da se akumulira ili skuplja, ili gde se radi sa promenljivim zapaljivim supstancama.
  - Mesto gde se nalazi oprema koja stvara elektromagnetna polja ili zvučne tonove visokih frekvencija.
- **Uređaj treba skladištiti tako da ne dođe do mehaničkih oštećenja.**
- **Sva lica koja učestvuju u radu sa sistemom sa rashladnim sredstvom ili ga otvaraju moraju da poseduju važeći sertifikat tela za procenu akreditovanog od strane industrije, čime se potvrđuje da su kompetentni da bezbedno rukuju rashladnim sredstvom u skladu sa industrijski priznatim specifikacijama procene.**

## 1.2 DODATNA OPREMA

Sledeća dodatna oprema se dobija zajedno sa uređajem. Vrsta i kvantitet se mogu razlikovati zavisno od specifikacija.

Naziv dodatne opreme	Kol. (kom.)	Oblik	Naziv dodatne opreme	Kol. (kom.)	Oblik
Priručnik	3		Daljinski upravljač	1	
Otvor za odvod vode	1		Baterija	2	
Zaptivač	1		Nosač daljinskog upravljača	1	
Montažna ploča	1		Zavrtnj B	2	
Tipla	5		Mali filter	1	
Zavrtnj A	5		Magnetni prsten (neke jedinice)	Br.*	

\* Broj zavisi od stvarne količine

## 1.3 ODABIR MESTA UGRADNJE

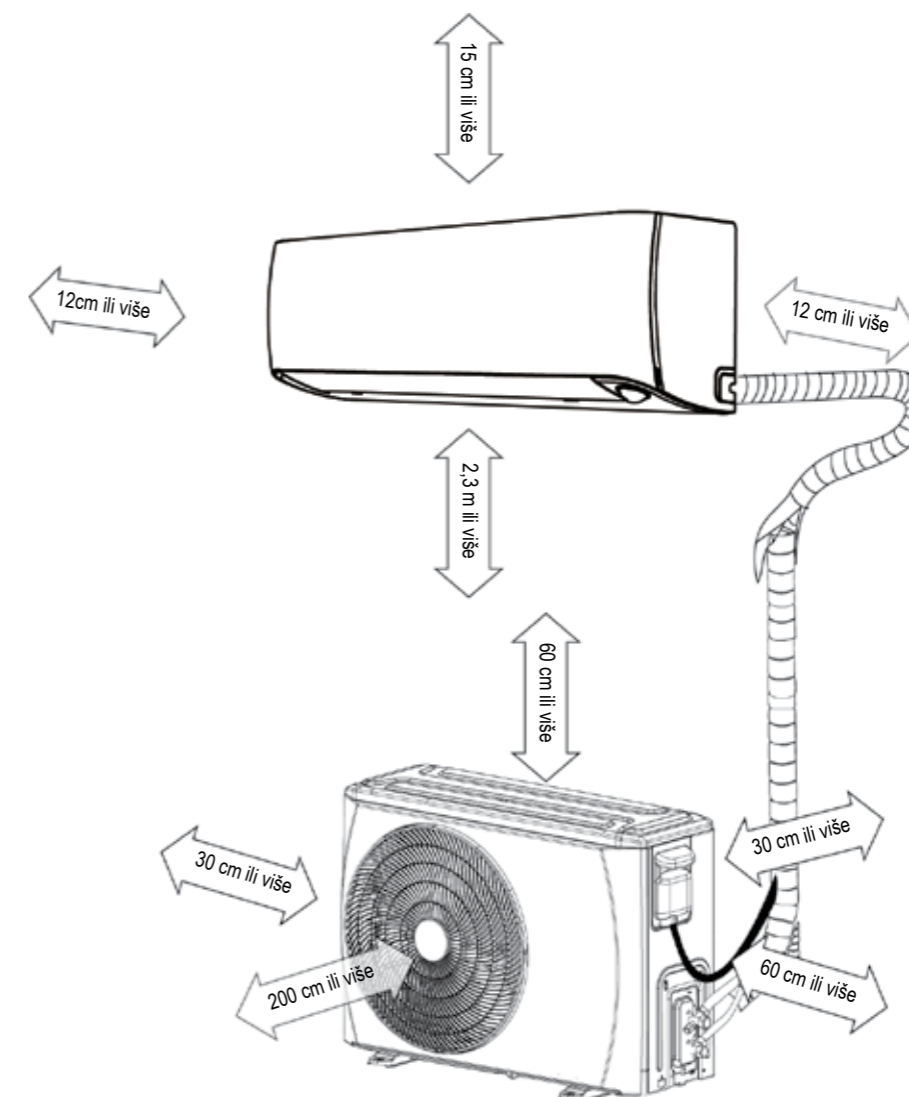
### Unutrašnja jedinica

- Mesto koje može da izdrži težinu unutrašnje jedinice.
- Ne ugrađujte unutrašnju jedinicu u blizini direktnog izvora toplote, kao što su direktna sunčeva svetlost ili grejna tela.
- Mesto na kom ima prikladnog slobodnog prostora kao na slici ispod.
- Pokretni delovi unutrašnje jedinice treba da budu ugrađeni na visini koja nije niža od 2,3 m od poda.

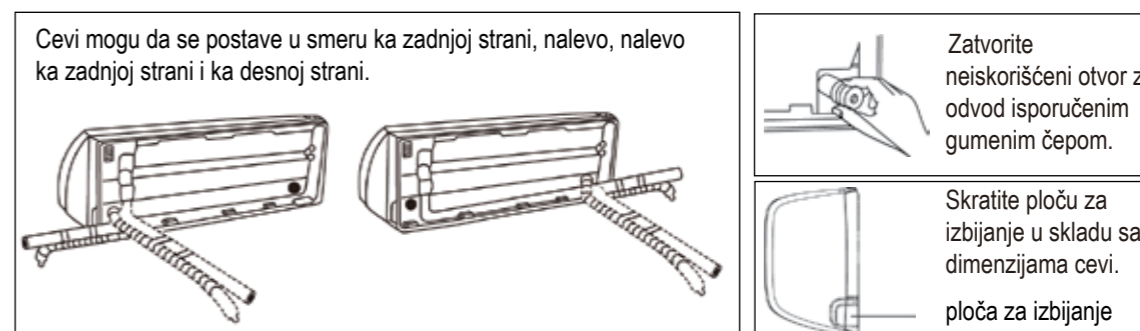
### Spoljašnja jedinica

- Mesto koje je pristupačno za ugradnju uređaja i nije izloženo jakim vetrovima. Ukoliko je jedinica izložena jakom vetru, preporučuje se korišćenje ploče za zaštitu od vetra.
- Mesto koje može da izdrži težinu spoljašnje jedinice i na kom jedinica može biti poravnata sa podom.
- Mesto na kom ima prikladnog slobodnog prostora kao na slici ispod.

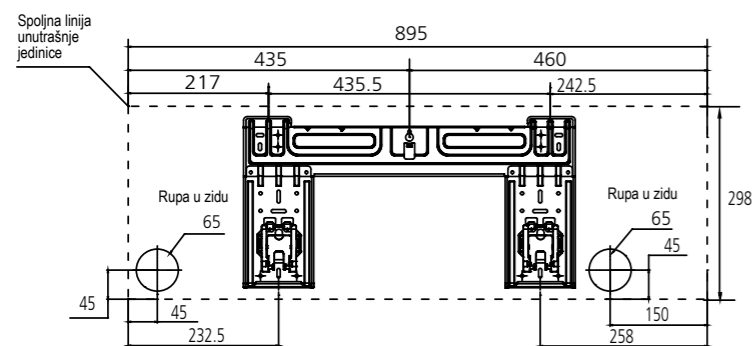
Ne ugrađujte unutrašnju ili spoljašnju jedinicu na lokacijama sa posebnim klimatskim uslovima. Uverite se da ima dovoljno prostora za ugradnju i održavanje.



Napomena: Obezbedite dovoljno rastojanje od zida, tavanice, ograde ili drugih prepreka, kao što pokazuju strelice.



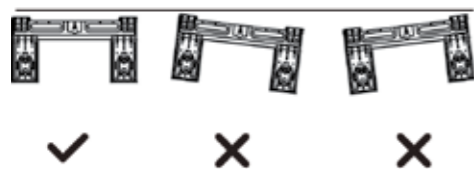
## 2.1 UGRADNA PLOČA UNUTRAŠNJE JEDINICE



Napomena: Kada je prečnik priključne cevi za gas Ø16 mm (5/8 in) ili više, otvor za cev mora da bude najmanje 90 mm (3,54 in).

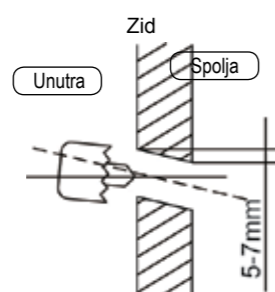
### Montaža ugradne ploče

Pričvrstite ugradnu ploču horizontalno i poravnajte je na zidu sa pet ili više zavrtnjeva tipa A.



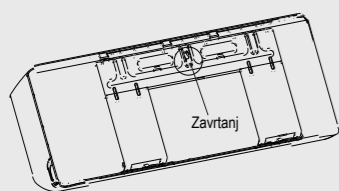
### Bušenje otvora u zidu

Izbušite otvor u zidu prečnika 65 mm ili 90 mm (u zavisnosti od modela) sa blagim nagibom ka spolja.



Napomena:

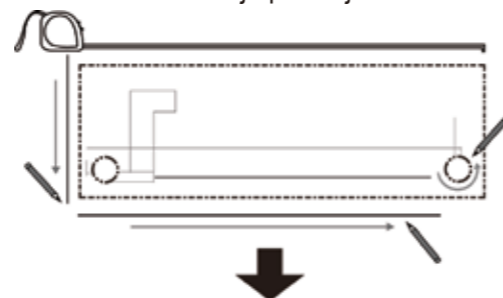
Ugradna ploča je fiksirana zavrtnjem radi praktičnijeg transporta, pa pre montiranje uklonite zavrtnj. (pogledajte sliku)



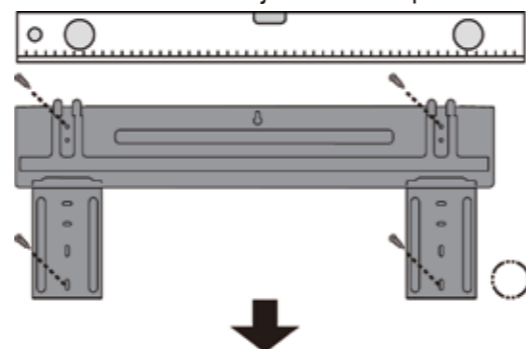
Ugradna ploča će ličiti na jednu od sledećih u zavisnosti od veličine jedinice. Otvori za fiksiranje sidra treba da imaju prečnik od 5 mm.

## 2.2 PROCES UGRADNJE

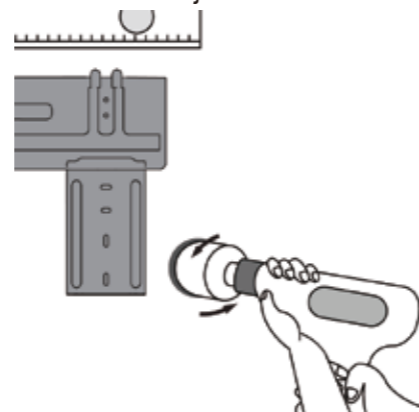
Korak 1: Određivanje položaja otvora na zidu



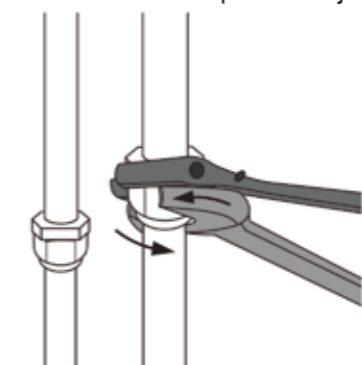
Korak 2: Pričvršćivanje montažne ploče



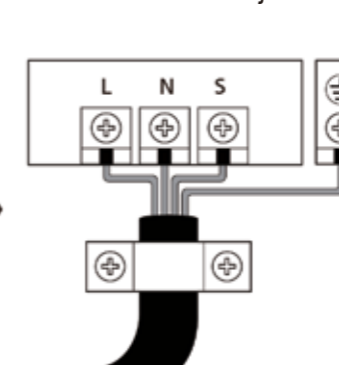
Korak 3: Bušenje otvora na zidu



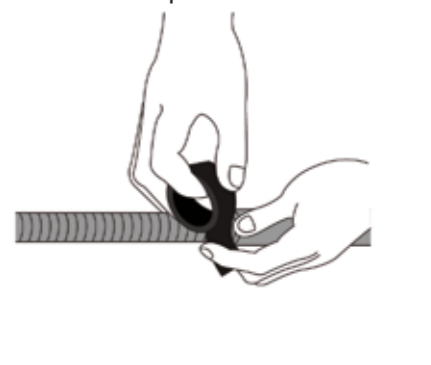
Korak 4: Cev za povezivanje



Korak 5: Povezivanje žice



Korak 6: Priprema creva za odvod



Korak 8: Kačenje unutrašnje jedinice

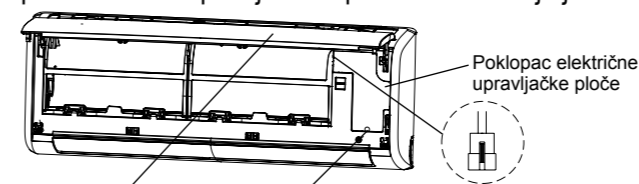


Korak 7: Namotavanje cevi i kabela

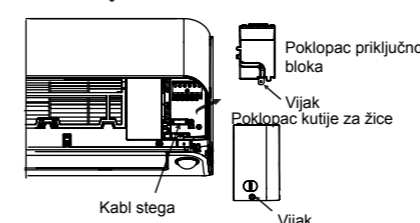


### Povezivanje unutrašnje jedinice sa napajanjem

1. Podignite prednji panel na unutrašnjoj jedinici.
2. Otvorite poklopac odeljka sa električnim delovima unutrašnje jedinice tako što ćete odvijač postaviti u otvor, rukom uklonite poklopac bloka sa priključcima i uklonite spojnicu za kabl tako što ćete olabaviti zavrtnje
3. Sprovedite žice sa zadnje strane unutrašnje jedinice i povežite ih sa upravljačkom pločom unutrašnje jedinice.

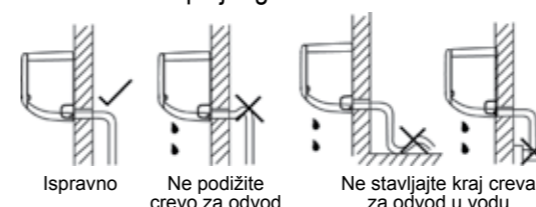


Prednja ploča  
Otvorite poklopac iz ovog otvora  
Konektor za daljinski upravljač sa kablom (opciono, izlazi iz kućišta displeja)



### Odvod

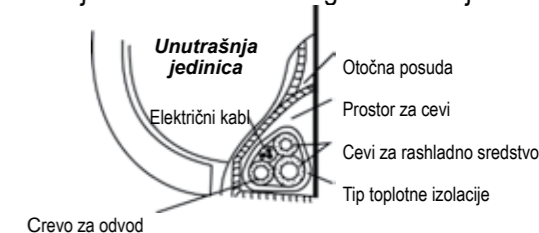
Odvodno crevo ne sme da ima zagušenje ni na kom delu celom dužinom, mora imati nagib nadole i mora biti izolovano do spoljnog zida.



### Izolovanje cevi

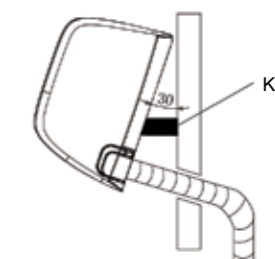
Za pravilno usmeravanje cevi sa rashladnim sredstvom, električnog kabela i odvodnog creva, proučite sliku u nastavku:

- Postavite odvodno crevo ispod cevi sa rashladnim sredstvom.
- Proverite da li je odvodno crevo izdignuto ili savijeno.



### Kačenje unutrašnje jedinice

1. Provucite rashladnu cev kroz rupu u zidu.
2. Prikačite unutrašnju jedinicu na ugradnu ploču pomoću gornje kuke, potom primaknite donji deo jedinice ka zidu i pričvrstite je na donju kuku.
3. Zaljuljajte unutrašnju jedinicu nalevo i nadesno da biste se uverili da je čvrsto zakačena za ugradnu ploču.



**OPREZ**

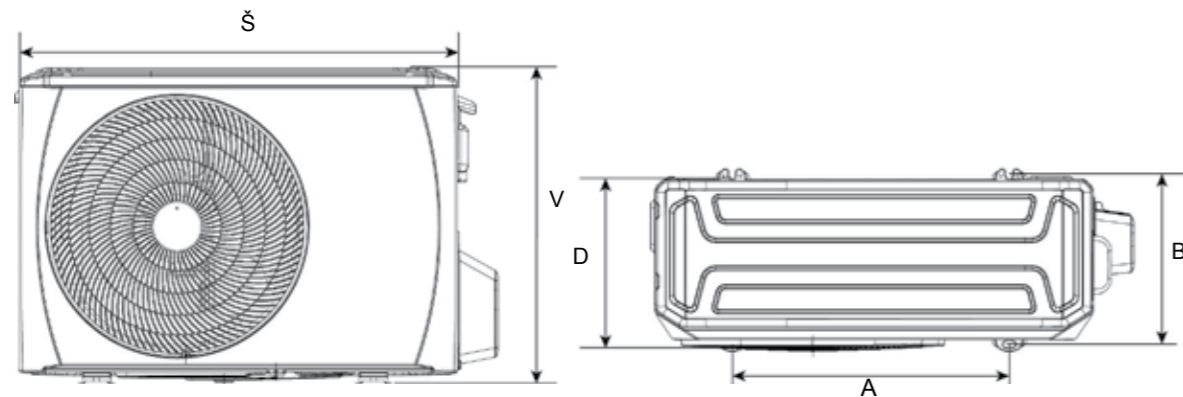
Delovi konektora priključne cevi moraju se postaviti izvan prostorije.

### 3. UGRADNJA SPOLJAŠNJE JEDINICE



#### 3.1 DIMENZIJE ZA UGRADNJU SPOLJAŠNJE JEDINICE

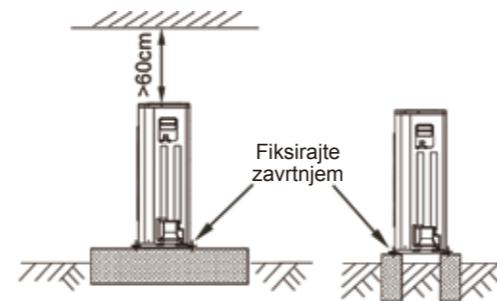
Različiti modeli spoljašnjih jedinica imaju različite ugradne dimenzije. Za pričvršćivanje spoljašnje jedinice treba koristiti zavrtnje veće od 12mm u prečniku.



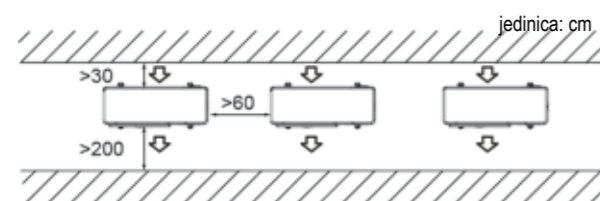
Dimenzije spoljašnje jedinice (mm)				Ugradne dimenzije (mm)	
Spoljašnja jedinica	Š	V	D	A	B
38QHP09E8S-1 38QHP12E8S-1	805	554	330	511	317

#### 3.2 POTREBAN PROSTOR ZA SPOLJAŠNJU JEDINICU

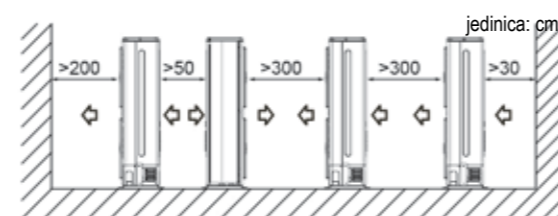
##### Ugradnja jedne jedinice



##### Paralelno povežite dve ili više jedinica



##### Paralelno povežite prednje sa zadnjim stranama



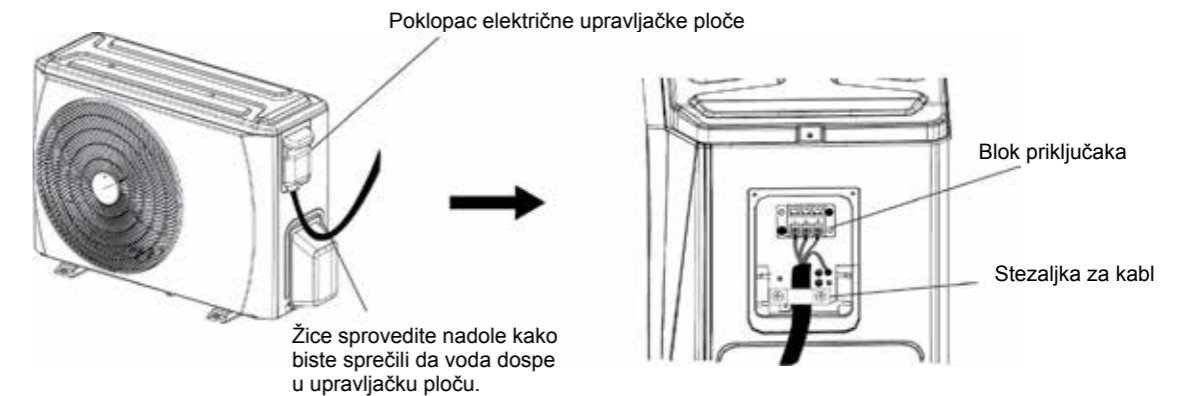
**OPREZ**

- U područjima sa snežnim padavinama i niskim temperaturama izbegavajte ugradnju spoljašnje jedinice na mestima gde može biti zavejana. Ako se očekuje jak sneg, treba da se ugrade skretnice leda ili snega i/ili vetra sa spoljne strane da bi se jedinica zaštitila od nakupljanja snega i/ili blokiranja ulaza vazduha.

### 3. UGRADNJA SPOLJAŠNJE JEDINICE

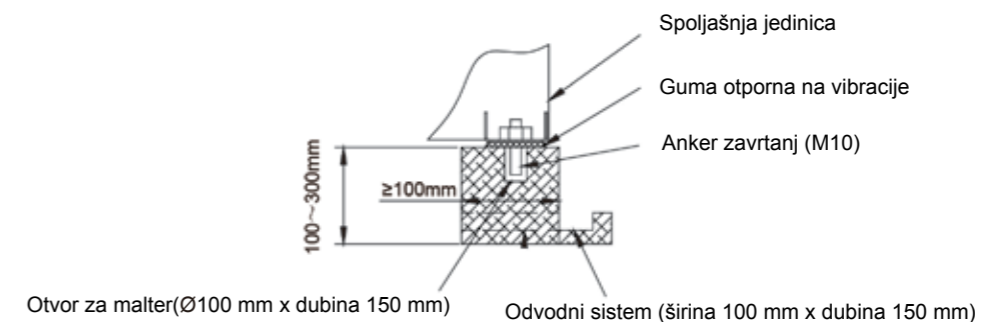
#### 3.3 SPOLJAŠNJI PRIKLJUČAK ZA INSTALACIJU

- Uklonite poklopac električne upravljačke ploče i spojnicu za kabl tako što ćete odviti zavrtnje.
- Povežite žice sa blokom priključaka spoljašnje jedinice na isti način kao što ste to učinili kod unutrašnje jedinice.



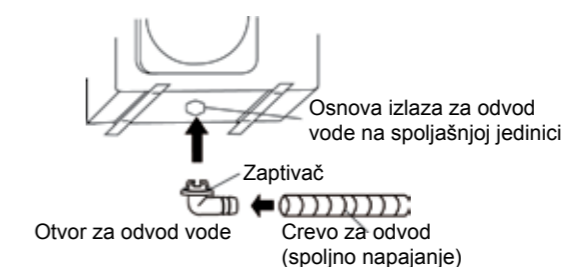
#### 3.4 UGRADNJA SPOLJAŠNJE JEDINICE

- Pre ugradnje, proverite jačinu i horizontalnost osnove kako se ne bi stvarao neobičan zvuk.
- Fiksirajte osnovu čvrsto uz pomoć anker zavrtnjeva (M10) da bi se sprečio njen kolaps.
- Ugradite gumu za osnovu i gumu otpornu na vibracije da biste direktno podržavali donju površinu fiksirajućeg postolja koje je u kontaktu sa donjom pločom spoljašnje jedinice.



#### 3.5 UGRADNJA CEVI ZA ODVOD ZA SPOLJAŠNJU JEDINICU

- Povežite otvor za odvod sa produžetkom creva za odvod
- Postavite zaptivač na otvor za odvod.
- Ubacite odvod u osnovu izlaza za odvod vode na spoljašnjoj jedinici i rotirajte ga za 90 stepeni da biste ih povezali na bezbedan način.





### OPREZ

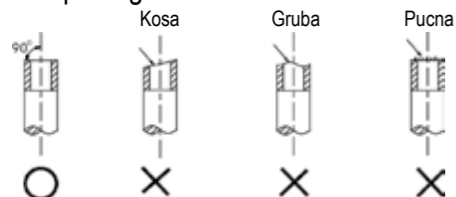
- Proverite da li su razlika u visini između unutrašnje i spoljašnje jedinice i ukupna dužina cevi rashladnog uređaja u skladu sa sistemskim zahtevima.
- Rad sa cevima rashladnog uređaja prati ugradnju spoljašnje i unutrašnje jedinice, povežite cev najpre sa unutrašnje, a potom sa spoljašnje strane.
- Uvek držite krajeve cevi zatvorene čepom ili prekrivene trakom tokom ugradnje i NEMOJTE da ih sklonite dok ne budete spremni da povežete cev.
- Postarajte se da izolujete sve spoljne cevi celom dužinom do priključka cevi unutar jedinice. Svaka izložena cev može da dovede do kondenzacije ili do opekotina ako se dotakne.
- Kada je spoljašnja jedinica u gornjem položaju, a razlika u nivou prelazi 10 m, preporučuje se da se na svakih 5–8 m cevi za gas postavi povratni vod za ulje. Prečnik povratnog voda za ulje treba da bude veći od 10 cm.

## 4.1 IVIČENJE

### NAPOMENA

- Alati potrebni za ivičenje su rezač cevi, razvrtač, alat za ivičenje i držač cevi.
- Za modele rashladnih sredstava R32, tačke priključivanja cevi se moraju postaviti izvan prostorije.

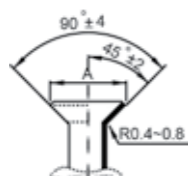
4.1.1 Koristeći rezač cevi isecite cev do potrebne dužine. Postarajte se za to da odsečena ivica ostane pod uglom od 90° u odnosu na stranu cevi.



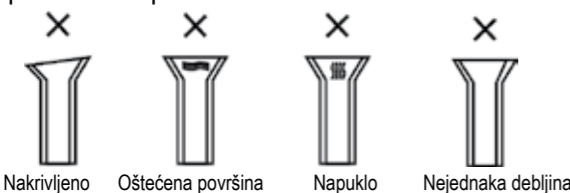
4.1.2 Koristite razvrtač da uklonite pucne sečenjem tako da površina bude okrenuta nadole, kako otpaci ne bi ušli u cev.

4.1.3 Izvršite ivičenje koristeći alate za njih kako je navedeno ispod.

Spoljni prečnik	A (mm)	
	Maks.	Min
Ø6,35 mm	8,7	8,3
Ø9,52 mm	12,4	12,0
Ø12,7 mm	15,8	15,4
Ø15,88 mm	19,0	18,6
Ø19,05 mm	23,3	22,9



4.1.4 Proverite da li je ivičenje obavljeno na adekvatan način. Pogledajte nepravilno ivičenje cevi u primerima ispod.

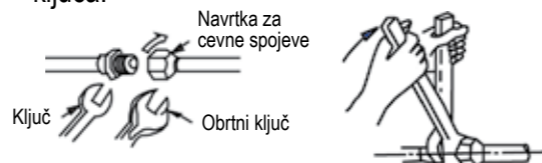


### OPREZ

- U slučaju da je potrebno lemljenje, radite sa azotnom duvaljkom.
- Neodgovarajuća dužina će dovesti do oštećenja ivica ili do curenja gasa.

## 4.2 SPAJANJE CEVI

4.2.1 Poravnajte centar da biste pričvrstili navrtku za cevne spojeve i završite spajanje koristeći dva ključa.



Veličina cevi	Jačina
Ø6,35 mm	18 ~ 20 Nm
Ø9,52 mm	25 ~ 26 Nm
Ø12,7 mm	35 ~ 36 Nm
Ø15,88 mm	45 ~ 47 Nm
Ø19,05 mm	65 ~ 67 Nm

4.2.2 Izaberite odgovarajući materijal za izolaciju rashladne cevi. (Pena za termalnu izolaciju C debljine najmanje 10 mm)

- Koristite različite cevi za toplotnu izolaciju za cevi za gas i cevi za tečnost.
- Gorenavedena debljina predstavlja standard za unutrašnju temperaturu od 27 °C i vlažnost od 80%. Ako se ugradnja obavlja u nepovoljnim uslovima kao što je blizina kupatila, kuhinje i druge slične lokacije, pojačajte izolaciju.
- Otpornost izolacije na toplotu treba da bude viša od 120 °C.
- Koristite adhezivna sredstva na spojnom delu izolacije da biste sprečili ulazak vlage.
- Popravite i pokrijte sve potencijalne pukotine na izolaciji, a posebno proverite savijeni deo ili držač cevi.

## 4.3 CEV ZA RASHLADNO SREDSTVO

Napomena: Rashladno sredstvo treba puniti saservisnog priključka na ventilu za niski pritisak spoljne jedinice.

	Minimalna dužina za smanjenje preterane vibracije i buke	Dužina cevi bez punjenja	Dodatno punjenje po metru	
			Tečnost: Ø6,35 mm	Tečnost: Ø9,52 mm
R32*	3 m	5 m	12 g	24 g

\* Koristite pribor za sistem R32.

### NAPOMENA

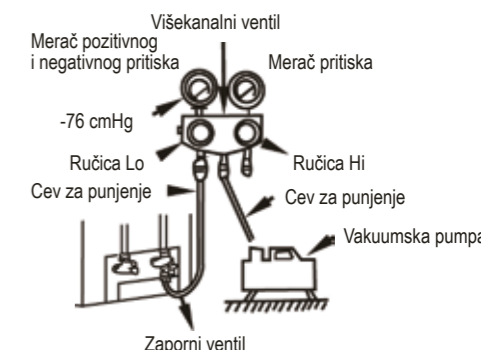
- Dužina produžene cevi će uticati na kapacitet i energetska efikasnost uređaja.
- Nominalna efikasnost je testirana na osnovu cevi dužine 5 metara.
- Kada je dužina cevi veća od 5 m, treba da se doda još rashladne tečnosti u skladu sa dužinom cevi.
- Maks. dužina cevi je preporučena u nastavku.

Modeli	Inverter R32	
	Maks. dužina cevi (m)	Maks. razlika u visini (m)
9K/12K	25	10

\* Koristite pribor za sistem R32.

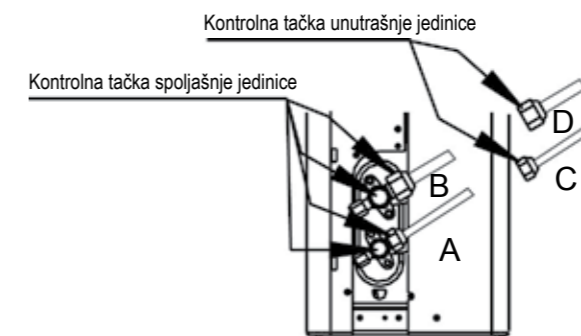
## 4.4 PRAŽNENJE VAZDUHA

- Povežite cev za punjenje od višekanalnog merača pritiska do dovodnog ulaza strane za gas zapornog ventila.
- Povežite cev za punjenje do ulaza vakuumske pumpe.
- Potpuno otvorite ručicu Lo višekanalnog merača pritiska.
- Pomoću vakuumske pumpe ispusite vazduh iz sistema do -76 cmHg.
- Zatvorite ručicu Lo višekanalnog merača pritiska.
- Potpuno otvorite telo ventila zapornih ventila.
- Uklonite cev za punjenje od dovodnog ulaza.
- Jako pričvrstite glave zapornog ventila.



## 4.5 TEST CURENJA

Nakon što je završen rad na cevi, postarajte se da proverite spojni deo svake cevi sa rashladnim sredstvom i da se uverite da nema curenja gasa tako što ćete staviti sapunjavu vodu na njih ili ćete koristiti detektor curenja za HCF rashladna sredstva. Pogledajte sliku ispod kao ilustraciju



A: Ventil za zatvaranje niskog pritiska  
C i D: Navrtke za cevne spojeve unutrašnje jedinice

B: Ventil za zatvaranje visokog pritiska


**OPREZ**

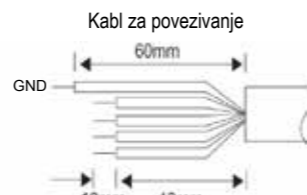
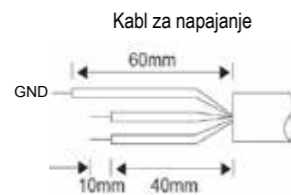
- Sva električna povezivanja moraju se sprovesti od strane kvalifikovanih lica i svi provodnici se moraju povezati u skladu sa shemom ožičenja.
- Napravite uzemljenje pre svih drugih električnih povezivanja.
- Svi izvori struje moraju biti isključeni pre ožičavanja i nemojte uključivati struju dok se ne uverite da su svi električni vodovi provereni u pogledu bezbednosti.
- U električne instalacije moraju biti ugrađeni glavni prekidač i automatski prekidač ili osigurač sa najmanje 1,5 puta većim kapacitetom od maksimalne jačine struje uređaja.
- Moraju biti dostupni samostalni provodnik i posebna utičnica samo za ovaj uređaj.
- Povezivanje žica treba da bude izvedeno u skladu sa nacionalnim, državnim i lokalnim standardima za priključivanje na električne instalacije i u zavisnosti od nazivne struje. Informišite se o lokalnim građevinskim propisima i nacionalnim standardima za korišćenje električnih uređaja.
- Ako je strujni kabl oštećen, može ga zameniti samo proizvođač, serviser ili drugo kvalifikovano lice kako bi se izbegao bilo kakav rizik.
- Dovod napona mora da bude sproveden preko zaštitnog uređaja kao što je automatski prekidač ili prekidač koji razdvaja sve faze i ima najmanje 3 mm razmaka između kontakta. Preporučuje se ugradnja diferencijalne sklopke (RCD) sa maksimalnom diferencijalnom strujom koja ne premašuje 30 mA.
- Ovaj uređaj sadrži priključak za uzemljenje samo u funkcionalne svrhe.

**Nazivna struja svakog od modela**

Model	Nazivna struja (A)	Nazivna struja osigurača (A)	Strujni kabl (preporučljiv minimalni presek)	Priključni kabl (preporučljiv minimalni presek)
38QHP09E8S-1	13,0	20	3*1,5 mm <sup>2</sup>	5*1,5 mm <sup>2</sup>
38QHP12E8S-1	13,0	20	3*1,5 mm <sup>2</sup>	5*1,5 mm <sup>2</sup>

**NAPOMENA:**

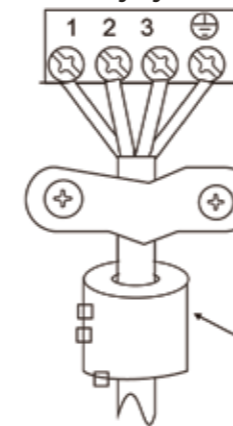
1. Dimenzije svih električnih žica moraju da budu u skladu sa nacionalnim, državnim i lokalnim električnim propisima. Informišite se o lokalnim građevinskim propisima i nacionalnim standardima za korišćenje električnih uređaja u vezi sa specifičnim zahtevima.
2. Spoljašnji priključni kabl i povezujući kabl treba da imaju oznaku H07RN-F.
3. Nazivna struja uređaja prikazana je na nazivnoj pločici.
4. Specifikacije osigurača spoljne jedinice su T20A/250VAC (važi samo za jedinice rashladnog sredstva R32)  
Napomena: Osigurač je keramički.


**Dijagram povezivanja**

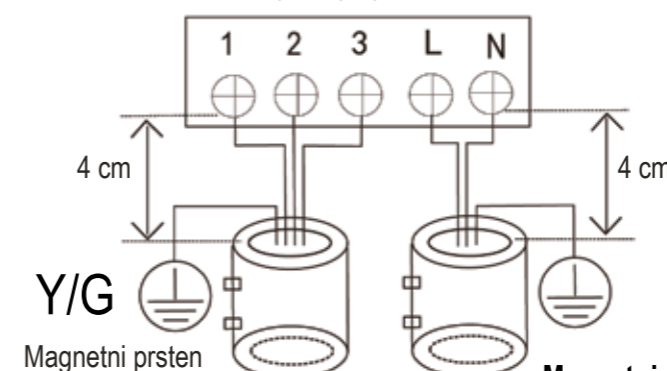
Model	Unutrašnja jedinica	Spoljna jedinica
QHP09 QHP12		
	Na spoljnu	Ulazna snaga Na unutrašnju

**Ugradnja magnetnog prstena**

Napomena: Priključni blok može da se razlikuje u zavisnosti od modela.

**Unutrašnja jedinica**

**Magnetni prsten**

(ako je isporučen uz dodatnu opremu)  
Provucite kaiš kroz otvor magnetnog prstena da biste ga pričvrstili na kabl

**Spoljašnja jedinica**


Y/G  
Magnetni prsten

Magnetni prsten  
(ako je isporučen uz dodatnu opremu)

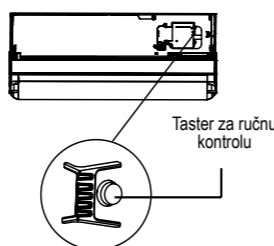
Provucite kaiš kroz otvor magnetnog prstena da biste ga pričvrstili na kabl



### 6.1 LISTA ZA FINALNU PROVERU

Da biste dovršili ugradnju, izvršite sledeće provere pre puštanja u probni rad.

- Jačina mesta ugradnje kako spoljašnjih tako i unutrašnjih strana pokazuje nepostojanje prepreka za izlaz vazduha iz jedinice i ulaz.
- Zbijenost u pogledu povezanosti cevi za rashladno sredstvo i provera izostanka curenja
- Električno ožičavanje je izvršeno adekvatno i jedinica je uzemljena
- Proverite ukupnu dužinu cevi i zabeležite količinu dodatno dopunjenog rashladnog sredstva
- Napajanje treba da bude usklađeno sa nazivnim naponom klima-uređaja
- Izolacija cevi
- Odvod



### 6.2 RUČNO PODEŠAVANJE

Prelazak na ručno podešavanje se može izvršiti pritiskom tastera za ručno podešavanje.

Pritisnite taster za ručno podešavanje više puta kako biste menjali režime rada na sledeći način:

- Jednom = automatski režim rada (AUTO) [zagrevanje, hlađenje ili rad ventilatora, 24 °C, i automatska brzina ventilatora].
- Dvaput = režim hlađenja (COOLING) [prebacite na AUTOMATSKI režim posle 30 minuta (najviše se koristi kod probnog rada)]
- Tri puta = isključeno (OFF)

### 6.3 PROBNI RAD

Postavite klima-uređaj u režim HLAĐENJA pomoću daljinskog upravljača (ili tastera za ručno podešavanje) i proverite radni status kako spoljašnje tako i unutrašnje jedinice. U slučaju nepravilnog rada, rešite ga u skladu sa poglavljem „Rešavanje problema“ u „Priručniku za popravke“.

#### Unutrašnja jedinica

- Da li tasteri (kao što su ON/OFF (Uključeno/isključeno), MODE (Režim), TEMPERATURE (Temperatura), FAN SPEED (Brzina ventilatora) itd.) na daljinskom upravljaču rade na adekvatan način.
- Da li se poklopac za usmeravanje vazduha normalno pokreće.
- Da li je sobna temperatura dobro podešena.
- Da li kontrolne lampice za rad uređaja na ekranu normalno funkcionišu.
- Da li taster za ručno podešavanje radi normalno.
- Da li odvodni sistem normalno funkcioniše.
- Da li postoji vibriranje ili neobičan zvuk tokom rada.
- Da li unutrašnja jedinica radi normalno u režimima rada COOLING (Hlađenje) ili HEATING (Grejanje).

#### Spoljašnja jedinica

- Da li postoji vibriranje ili neobičan zvuk tokom rada.
- Da li vetar, buka ili kondenzovana voda koju stvara klima-uređaj smetaju vašim susedima.
- Da li ima curenja rashladnog sredstva.

#### OPREZ

- Pri ponovnom pokretanju jedinice, radi zaštite dolazi do odlaganja rada kompresora od približno 3 minuta.

### 7.1 PROVERA PODRUČJA

Pre nego što počnete sa radom na sistemima koji sadrže zapaljiva rashladna sredstva, potrebno je obaviti bezbednosne provere, kako biste se uverili da je rizik od požara sveden na najmanju moguću meru. Kada je u pitanju popravka sistema za hlađenje, pre nego što započnete bilo kakve radnje na sistemu, preduzmite sledeće mere predostrožnosti.

### 7.2 PROCEDURE RADA

Rad vršite u skladu sa kontrolisanom procedurom, kako bi se rizik od prisustva zapaljivog gasa ili isparenja tokom vršenja rada sveo na najmanju moguću meru.

### 7.3 OPŠTE PODRUČJE RADA

Sve osoblje koje se bavi održavanjem kao i ostala lica koja rade u okruženju moraju da budu obaveštena o prirodi posla koji se obavlja. Treba izbegavati rad u zatvorenim prostorima. Treba zabraniti pristup području oko prostora rada. Pobrinite se za to da su uslovi u okruženju bezbedni, zahvaljujući kontroli zapaljivih materijala.

### 7.4 PROVERA PRISUSTVA RASHLADNOG SREDSTVA

Pre započinjanja rada potrebno je proveriti područje odgovarajućim detektorom rashladnog sredstva, kako bi tehničar bio svestan prisustva potencijalno zapaljivog okruženja. Pobrinite se za to da primenjena oprema za detekciju curenja bude adekvatna za upotrebu sa zapaljivim rashladnim sredstvima, odnosno da nema varnica, da je adekvatno zaptivena ili suštinski bezbedna.

### 7.5 PRISUSTVO APARATA ZA GAŠENJE POŽARA

Ako je potrebno vršiti radove na rashladnoj opremi ili bilo kojim povezanim delovima, a koji podrazumevaju visoku temperaturu, mora da bude dostupna oprema za gašenje požara. U području punjenja imajte aparat za gašenje požara sa suvim prahom ili aparat sa CO<sub>2</sub>.

### 7.6 BEZ IZVORA PLAMENA

Nijedno lice koje vrši radove u vezi sa rashladnim sistemom, a koji podrazumevaju izlaganje cevi koji sadrže ili su sadržavale zapaljiva rashladna sredstva, ne sme da koristi nikakav izvor plamena na način koji može da dovede do rizika od požara ili eksplozije. Svi mogući izvori plamena, uključujući i pušenje cigareta, moraju da budu dovoljno daleko od područja ugradnje, popravke, uklanjanja ili odlaganja, jer može da dođe do oslobađanja zapaljivog rashladnog sredstva u okolni prostor. Pre nego što započnete sa radom, proverite okruženje opreme i uverite se u to da nema opasnosti od zapaljivih materijala niti rizika od plamena. Potrebno je postaviti znak „ZABRANJENO PUŠENJE“.

### 7.7 PROVETRENO PODRUČJE

Pobrinite se da područje rada bude na otvorenom ili da je dovoljno provetreno pre nego što otvorite sistem ili preduzmete radnje koje zahtevaju visoku temperaturu. Određeni stepen ventilacije mora da bude na snazi tokom perioda izvođenja radova. Ventilacija bi trebalo bezbedno da rasprši sve oslobođeno rashladno sredstvo i izbaci ga u atmosferu.

### 7.8 PROVERA RASHLADNE OPREME

Prilikom zamene električnih komponenti, one moraju da odgovaraju nameni i specifikacijama. U svakom trenutku je obavezno praćenje smernica proizvođača u vezi sa održavanjem i servisiranjem. Ukoliko imate nedoumice, obratite se za pomoć tehničkom odeljenju proizvođača. Potrebno je izvršiti sledeće provere na instalacijama koje sadrže zapaljiva rashladna sredstva:

- količina punjenja je u skladu sa veličinom prostorije u kojoj se ugrađuju delovi koji sadrže rashladno sredstvo;
- ventilacija i odvodi rade adekvatno i nemaju prepreke;
- ako koristite indirektno rashladno kolo, potrebno je proveriti prisustvo rashladnog sredstva u sekundarnim kolima; označavanje opreme mora da bude vidljivo i čitko.
- oznake i znaci koji nisu čitki moraju da se isprave;
- cev za rashlađivanje ili komponente se ugrađuju na mestu gde je mala verovatnoća da budu izloženi supstancama koje mogu da izazovu koroziju komponenti koje sadrže rashladno sredstvo, pod uslovom da komponente nisu izrađene od materijala koji su sami po sebi otporni na koroziju ili su na odgovarajući način zaštićeni od nje.

### 7.9 PROVERA ELEKTRIČNIH UREĐAJA

Popravka i održavanje električnih komponenti će obuhvatati početne bezbednosne provere i procedure provere komponenti. Ukoliko postoji kvar koji bi mogao da ugrozi bezbednost, nemojte priključivati kolo na napajanje sve dok ne rešite tu situaciju. Ukoliko se kvar ne može odmah ispraviti, već je neophodno nastaviti sa radom, primenite adekvatno privremeno rešenje. To je potrebno prijaviti vlasniku opreme, kako bi sve strane bile upozorene.

#### Početne bezbednosne provere:

- svi kondenzatori su ispražnjeni: to će se izvršiti na način kojim se izbegava mogućnost stvaranja varnica
- nema električnih komponenti pod naponom niti izloženih žica tokom punjenja, pražnjenja ili čišćenja sistema;
- uzemljenje nije prekinuto.

### 7.10 POPRAVKE ZAPTIVENIH KOMPONENTI

- 10.1 Tokom popravki zaptivenih komponenti, isključite sve strujno napajanje sa opreme na kojoj radite pre nego što uklonite bilo koji zaptiveni poklopac i sl. Ukoliko je apsolutno neophodno imati strujno napajanje na opremi tokom servisiranja, postavite trajno aktivni oblik detekcije curenja na najkritičniju tačku, kako biste bili upozoreni na potencijalno opasnu situaciju.
- 10.2 Potrebno je obratiti naročitu pažnju na sledeće, kako tokom rada na električnim komponentama ne bi došlo do promene kućišta koje bi uticalo na nivo zaštite. To obuhvata oštećenje kablova, prekomerni broj priključaka, terminale koji nisu napravljeni po originalnim specifikacijama, oštećenja zaptivanja, neadekvatno montiranje zaptivnog materijala itd.
- Pobrinite se za to da se uređaj bezbedno ugradi.
  - Pobrinite se za to da zaptivači ili zaptivni materijali nisu degradirali do te mere da više ne služe svrsi, odnosno ne sprečavaju prolazak zapaljivih materija u okruženje. Rezervni delovi će se montirati u skladu sa specifikacijama proizvođača.

NAPOMENA: Upotreba silikonskog zaptivača može nepoželjno da utiče na efikasnost nekih tipova opreme za zaštitu od curenja.

Komponente koje su bezbedne same po sebi ne moraju da se izoluju pre nego što počnete da radite na njima.

### 7.11 POPRAVKA KOMPONENTI KOJE SU BEZBEDNE SAME PO SEBI

Nemojte primenjivati nikakva trajna induktivna ili kapacitivna punjenja na kola pre nego što se uverite da to neće premašiti napon i struju dozvoljene za opremu koju koristite. Komponente koje su bezbedne same po sebi su jedini tipovi komponenti na kojima se sme raditi pod naponom u prisustvu zapaljivih materijala. Aparat za testiranje treba da bude na ispravnoj vrednosti. Komponente zamenite samo delovima koje je odredio proizvođač. Drugi delovi mogu da dovedu do zapaljenja sredstva za hlađenja u okruženju, usled curenja.

### 7.12 KABLOVI

Utvrdite da kablovi neće biti izloženi habanju, koroziji, prekomernom pritisku, vibraciji, oštrim ivicama niti drugim štetnim uticajima u okruženju. Ova provera treba da uzme u obzir i uticaj starenja ili neprekidne vibracije izvora poput kompresora ili ventilatora.

### 7.13 DETEKCIJA ZAPALJIVIH RASHLADNIH SREDSTAVA

Za traženje ili detekciju curenja rashladnog sredstva ni u kom slučaju nije dozvoljeno koristiti izvore plamena. Nije dozvoljeno koristiti detektore za halogen (niti bilo koji drugi detektor sa otvorenim plamenom).

### 7.14 NAČINI DETEKCIJE CURENJA

Sledeći načini detekcije curenja se smatraju prihvatljivim za sisteme koji sadrže zapaljiva rashladna sredstva. Elektronski detektori curenja se smeju koristiti za detekciju zapaljivih rashladnih sredstava, ali njihova osetljivost možda neće biti adekvatna ili će im biti potrebna ponovna kalibracija. (Oprema za detekciju treba da se kalibriše u području u kom nema rashladnog sredstva.) Pobrinite se za to da detektor ne bude potencijalni izvor plamena i da je adekvatan rashladnom sredstvu. Opremu za detekciju curenja podesite na procenat LFL-a (donje granice zapaljivosti) sredstva za detekciju i kalibrišite u odnosu na primenjeno rashladno sredstvo, pa potvrdite odgovarajući procenat gasa (najviše 25%). Tečnosti za detekciju curenja su adekvatne za upotrebu sa većinom rashladnih sredstava, ali je potrebno izbegavati upotrebu deterdženata koji sadrže hlor, jer hlor može da reaguje sa rashladnim sredstvom i izazove koroziju bakarnih cevi. Ukoliko sumnjate na postojanje curenja, uklonite ili ugase svaki otvoreni plamen. Ako otkriveno curenje rashladnog sredstva zahteva lemljenje, izvucite sve rashladno sredstvo iz sistema ili ga izolujte (pomoću ventila za zatvaranje) u deo sistema koji je udaljen od mesta curenja. Azot bez kiseonika (OFN) treba pustiti kroz sistem, i pre i tokom procesa lemljenja.

### 7.15 UKLANJANJE I PRAŽNENJE

Kada otvarate rashladno kolo da biste izvršili popravke bilo koje vrste, uvek pratite uobičajene procedure. Međutim, uvek je važno pratiti najbolju praksu, jer treba uzeti u obzir i zapaljivost. Pratite sledeću proceduru:

- uklonite rashladno sredstvo;
- isperite kolo inertnim gasom;
- ispraznite ga;
- ponovo ga isperite inertnim gasom;
- otvorite kolo sečenjem ili lemljenjem.

Punjenje rashladnim sredstvom će se vratiti u odgovarajuće cilindre za dopunjavanje. Isperite sistem OFN-om da bi jedinica bila bezbedna. Možda ćete morati da ponovite ovaj proces više puta.

Za ovaj zadatak nemojte koristiti komprimovani vazduh niti kiseonik.

Ispiranje možete da izvršite prekidom vakuuma u sistemu pomoću OFN-a i nastavljanjem punjenja sve dok ne postignete radni pritisak. Zatim gas ispustite u atmosferu i spustite pritisak na vakuum. Ponavljajte postupak sve dok u sistemu više ne bude rashladnog sredstva.

Kada iskoristite i poslednje punjenje OFN-om, sistem spustite na atmosferski pritisak kako biste mogli da radite. Ovaj korak je neophodan da biste mogli da vršite lemljenje cevi. Pobrinite se za to da izlaz vakuumske pumpe ne bude u blizini izvora plamena i da je ventilacija dostupna.

### 7.16 PROCEDURE PUNJENJA

Pored uobičajenih procedura punjenja, potrebno je poštovati i sledeće zahteve:

- Pobrinite se za to da ne dođe do kontaminacije različitih rashladnih sredstava prilikom korišćenja opreme za punjenje. Creva ili vodovi treba da budu što kraći, kako bi se smanjila količina rashladnog sredstva kog sadrže.
- Cilindri treba da se drže u uspravnom položaju.
- Pobrinite se za to da je rashladni sistem uzemljen pre nego što počnete da ga puniti rashladnim sredstvom.
- Označite sistem kada završite sa punjenjem (ako već nije prethodno označen).
- Obratite naročitu pažnju da ne prepunite rashladni sistem.
- Pre nego što ponovo dopunite sistem, proverite mu pritisak putem OFN-a. Po završetku punjenja, ali pre puštanja u rad, proverite da li na sistemu postoji curenje. Naknadna provera curenja

### 7.17 POVLAČENJE IZ RADA

Pre obavljanja ovog postupka, veoma je važno da tehničar bude u potpunosti upoznat sa opremom i svim njenim detaljima. Preporučuje se kao dobra praksa da se sve rashladno sredstvo bezbedno izvuče. Pre nego što izvršite taj zadatak, uzmite uzorak ulja i rashladnog sredstva.

Moguće je da će pre ponovne upotrebe rashladnog sredstva biti potrebno izvršiti njegovu analizu. Veoma je važno da električno napajanje bude dostupno pre nego što se zadatak započne.

- Upoznajte se sa opremom i načinom rada.
- Izolujte sistem u pogledu struje
- Pre nego što započnete postupak, pobrinite se da budu ispunjeni sledeći uslovi:
  - oprema za mehaničko rukovanje je dostupna, u slučaju da bude potrebna, za rukovanje cilindrima za rashladno sredstvo;
  - sva lična zaštitna oprema je dostupna i koristi se na ispravan način;
  - proces izvlačenja sve vreme nadzire stručno lice;
  - oprema za izvlačenje i cilindri su usklađeni sa odgovarajućim standardima.
- Ispumpajte rashladni sistem, ako je to moguće.
- Ako nije moguće napraviti vakuum, napravite višekanalni ventil kako bi se rashladno sredstvo moglo ukloniti iz različitih delova sistema.
- Pobrinite se za to da cilindar bude postavljen na vagu pre nego što započnete izvlačenje.
- Pokrenite mašinu za izvlačenje i radite u skladu sa uputstvima proizvođača.
- Nemojte prepunjavati cilindre. (Nemojte ih puniti preko 80% zapremine tečnosti).
- Nemojte premašivati maksimalni radni pritisak cilindra, čak ni privremeno.
- Kada se cilindri ispravno napune i proces dovrši, brzo uklonite cilindre i opremu sa lokacije i zatvorite sve ventile za izolaciju na opremi.
- Nemojte ubacivati izvučeno rashladno sredstvo u drugi rashladni sistem bez prethodnog čišćenja i provere.

### 7.18 OZNAČAVANJE

Označite opremu tako što ćete napomenuti da je povučena iz optičaja i da je rashladno sredstvo izvučeno. Oznaka treba da sadrži datum i potpis. Pobrinite se za to da se na opremi nalaze oznake koje ukazuju na to da oprema sadrži zapaljivo rashladno sredstvo.

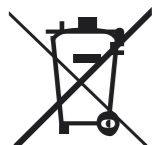
### 7.19 IZVLAČENJE

- Kada uklanjate rashladno sredstvo iz sistema, bilo zbog servisiranja ili zbog povlačenja iz rada, preporuka dobre prakse je da sve rashladno sredstvo uklonite na bezbedan način.
- Kada prebacujete rashladno sredstvo u cilindre, pobrinite se za to da koristite samo adekvatne cilindre za izvlačenje rashladnog sredstva. Pobrinite se za to da imate dovoljan broj cilindara za prihvatanje ukupne količine izvučenog sredstva. Svi cilindri koje ćete koristiti moraju da budu namenjeni za izvučeno rashladno sredstvo i označeni za to sredstvo (odnosno moraju da budu specijalni cilindri za izvlačenje rashladnog sredstva). Cilindri moraju da budu celoviti i da sadrže ventil za otpuštanje pritiska i povezane ventile za isključivanje, u ispravnom stanju.
- Prazni cilindri za izvlačenje se ispuštaju i, ako je moguće, rashlađuju pre svakog izvlačenja.
- Oprema za izvlačenje treba da bude u ispravnom radnom stanju i da u blizini sadrži uputstva u vezi s njenim radom, kao i da bude adekvatna za izvlačenje zapaljivih rashladnih sredstava. Pored toga, pri ruci treba da bude i ispravno kalibrisana vaga.
- Creva treba da budu celovita i u dobrom stanju, sa prekidnim spojnica koje ne cure. Pre nego što upotrebite mašinu za izvlačenje, proverite da li je u zadovoljavajuće dobrom radnom stanju, da li je ispravno održavana i da li su sve električne komponente zaptivene, kako ne bi došlo do požara u slučaju oslobađanja rashladnog sredstva. Ukoliko niste sigurni, obratite se proizvođaču.
- Izvučeno rashladno sredstvo će se vratiti dobavljaču rashladnog sredstva u ispravnom cilindru za rashladno sredstvo i potpisati se odgovarajuća dokumentacija o prenosu otpadnog materijala. Nemojte mešati rashladna sredstva u jedinicama za izvlačenje, naročito ne u cilindrima.
- Ukoliko treba ukloniti kompresore ili ulja kompresora, pobrinite se za to da su oni ispražnjeni do prihvatljivog nivoa i da u mazivu nije zaostalo zapaljivog rashladnog sredstva. Proces pražnjenja treba sprovesti pre vraćanja kompresora dobavljaču. Za ubrzavanje ovog procesa dozvoljeno je koristiti samo električno zagrevanje tela kompresora. Izlivanje ulja iz sistema treba obaviti pažljivo.

### 7.20 TRANSPORT, OZNAČAVANJE I SKLADIŠTENJE JEDINICA

- Transport opreme koja sadrži zapaljiva rashladna sredstva  
Usklađenost sa propisima za transport
- Označavanje opreme pomoću simbola  
Usklađenost sa lokalnim propisima
- Odlaganje opreme koja sadrži zapaljiva rashladna sredstva  
Usklađenost sa nacionalnim propisima
- Skladištenje opreme/uređaja  
Skladištenje opreme treba da se vrši u skladu sa uputstvima proizvođača.
- Skladištenje upakovane (neprodane) opreme  
Zaštita pakovanja za skladištenje mora da bude izrađena na takav način da mehaničko oštećenje opreme unutar pakovanja ne dovede do curenja punjenja rashladnim sredstvom.  
Maksimalan broj komada opreme dozvoljen da se skladišti na jednom mestu određuju lokalni propisi.

Dieses Produkt befindet sich in Übereinstimmung mit der Niederspannungsrichtlinie (2014/35/EU) und der Richtlinie über elektromagnetische Verträglichkeit (2014/30/EU) der Europäischen Union.



### Korrekte Entsorgung dieses Produktes (Elektro- und Elektronik-Altgeräte)

(Bei der Benutzung dieser Klimaanlage in europäischen Ländern muss Folgendes eingehalten werden)  
– Dieses Symbol auf dem Produkt oder in seiner Dokumentation bedeutet, dass Elektro- und Elektronik-Altgeräte (WEEE nach der Richtlinie 2012/19/EU) nicht mit gewöhnlichem Haushaltsabfall zusammen entsorgt werden dürfen. Die Entsorgung dieses Geräts als Siedlungsabfall ist verboten. Es gibt verschiedene Entsorgungsmöglichkeiten:

1. Die Stadtverwaltung hat Sammelstellen zur kostenlosen Entsorgung von Elektronikaltgeräten eingerichtet.
2. Wenn Sie ein neues Produkt kaufen, wird der Einzelhändler das alte zumindest unentgeltlich zurückzunehmen.
3. Der Hersteller wird das alte Gerät zur Entsorgung zumindest für den Benutzer unentgeltlich zurückzunehmen.
4. Da alte Produkte wertvolle Ressourcen enthalten, können sie an Altmetallhändler verkauft werden. Die Entsorgung in Wäldern und in der freien Natur gefährdet Ihre Gesundheit, wenn gefährliche Stoffe in das Grundwasser und in die Nahrungskette gelangen.

### Dieses Produkt enthält vom Kyoto-Protokoll erfasste fluorierte Treibhausgase

Chemische Bezeichnung des Gases	R32
Treibhauspotenzial (Global Warming Potential, GWP) des Gases	675

#### ⚠ ACHTUNG

1. Kleben Sie das beiliegende Kältemittellabel in unmittelbarer Nähe der Wartungs- oder Rückgewinnungsstelle an.
2. Notieren Sie deutlich die eingefüllte Kältemittelmenge auf dem Kältemittellabel mit unlöschbarer Tinte.
3. Vermeiden Sie die Emission des enthaltenen fluorierten Treibhausgases. Stellen Sie sicher, dass das fluorierte Treibhausgas nie während der Installation, der Wartung oder der Entsorgung in die Atmosphäre gelangt. Sollten Leckagen des enthaltenen fluorierten Treibhausgases entdeckt werden, so muss der Gasaustritt gestoppt werden und die Leckstelle sofort repariert werden.
4. Nur qualifiziertes Wartungspersonal darf Zugang zu diesem Produkt haben und dessen Wartung übernehmen.
5. Jeder Umgang mit dem fluorierten Treibhausgas in diesem Produkt, z.B. beim Transportieren des Produktes oder Nachfüllen mit Gas, soll gemäß der Verordnung (EG) Nr. 517/2014 über bestimmte fluorierte Treibhausgase und der relevanten lokalen Gesetzgebung erfolgen.
6. Wenn ein Leckerkennungssystem installiert ist, muss das Gerät mindestens alle 12 Monate auf Leckagen geprüft werden.
7. Wenn das Gerät auf Leckagen geprüft wird, wird eine ordnungsgemäße Dokumentation aller Prüfungen dringend empfohlen.

Innengerät	Außengerät	Nennspannung & Hz
42QHP09E8S-1	38QHP09E8S-1	220-240V~, 50Hz
42QHP12E8S-1	38QHP12E8S-1	

Der Hersteller behält sich das Recht vor, die Spezifikationen jedes Produkts ohne vorherige Benachrichtigung zu ändern.

## INHALTSVERZEICHNIS

<b>1. INSTALLATIONSVORBEREITUNG</b> .....	<b>3</b>
1.1 Sicherheitshinweise .....	3
1.2 Zubehör .....	5
1.3 Installationsplatz wählen .....	6
<b>2. INSTALLATION DES INNENGERÄTS</b> .....	<b>7</b>
2.1 Montageplatte des Außengeräts .....	7
2.2 Installationsprozess .....	8
<b>3. INSTALLATION DES AUSSENGERÄTS</b> .....	<b>9</b>
3.1 Montageabmessungen für das Außengerät .....	9
3.2 Platzanforderungen für das Außengerät .....	9
3.3 Kabelverbindung des Außengeräts .....	10
3.4 Installation des Außengeräts .....	10
3.5 Installation des Ablaufrohrs für das Außengerät .....	10
<b>4. KÄLTEMITTEL-VERROHRUNGSARBEITEN</b> .....	<b>11</b>
4.1 Bördelung .....	11
4.2 Verrohrungsarbeiten .....	11
4.3 Kältemittelleitung .....	12
4.4 Luftabsaugung .....	12
4.5 Leckageprüfung .....	12
<b>5. VERKABELUNG</b> .....	<b>13</b>
<b>6. LETZTE ÜBERPRÜFUNG UND PROBELAUF</b> .....	<b>14</b>
6.1 Liste für die letzte Überprüfung .....	14
6.2 Manueller Betrieb .....	14
6.3 Probelauf .....	14
<b>7. INFORMATIONEN ZUR WARTUNG</b> .....	<b>15</b>



Achtung: **Feuergefahr** nur für R32/R290 Kältemittel

# 1. INSTALLATIONSVORBEREITUNG

## 1.1 SICHERHEITSHINWEISE

- Die Installation, Inbetriebnahme und Wartung von Klimaanlage kann gefährlich sein aufgrund von Systemdruck, elektrischen Komponenten und der Lage des Klimaanlage systems (Decken, hoch liegende Strukturen usw.).
- Die Installation, Inbetriebnahme und Wartung der Klimaanlage darf nur von geschultem, qualifiziertem Installations- und Wartungspersonal vorgenommen werden.
- Bei den Arbeiten an der Anlage müssen die Sicherheitshinweise beachtet werden, die sich in der Dokumentation und auf Schildern, Aufklebern und Etiketten an der Anlage befinden.
- Beachten Sie alle Sicherheitscodes. Tragen Sie Schutzbrille und Arbeitshandschuhe. Halten Sie beim Lötten ein Abkühlungstuch und einen Feuerlöscher bereit. Seien Sie vorsichtig beim Aufhängen, beim Heben und bei der Anbringung von sperrigen Bauteilen.
- Lesen Sie sorgfältig diese Anleitungen und beachten Sie alle Warnungen und Sicherheitshinweise, die Sie in der Dokumentation oder am Gerät finden. Informieren Sie sich bei besonderen Anforderungen über die örtlichen Bauvorschriften und die nationalen Normen für elektrische Geräte.

### ! WARNHINWEIS

Dieses Symbol bedeutet die Möglichkeit von Verletzung oder Tod.

- **Kältemittelgas ist schwerer als Luft und nimmt die Stelle von Sauerstoff ein. Ein großes Leck könnte zu Sauerstoffmangel, besonders in Untergeschossen, führen und das könnte die Gefahr des Ersticken mit sich bringen, was zu ernstesten Verletzungen oder Tod führen könnte.**
- **Wenn die Klimaanlage in einem kleinen Raum installiert ist, sorgen Sie für die notwendigen Spielräume, damit die Konzentration des austretenden Kältemittels im Raum nicht den kritischen Wert übersteigt.**
- **Tritt während der Montage Kältemittelgas aus, lüften Sie den Raum sofort durch.**  
Kältemittelgas kann ein giftiges Gas produzieren, wenn es mit Feuer, z.B. aus einem Heizlüfter, Ofen oder Kochgerät, in Kontakt kommt. Der Kontakt mit diesem Gas kann schwere Verletzungen oder den Tod herbeiführen.
- **Vor der Durchführung von elektrischen Arbeiten trennen Sie das Gerät von der Stromquelle. Verbinden Sie das Verbindungskabel richtig.**  
Eine falsche Verbindung kann zu Schäden von elektrischen Bauteilen führen.
- **Verwenden Sie die vorgeschriebenen Kabel für die elektrischen Anschlüsse und verbinden Sie die Kabel fest an die entsprechenden Stellen der Klemmleiste, damit keine äußere Kraft auf die Klemmleiste ausgeübt wird.**
- **Sorgen Sie für Erdung.**  
Verbinden Sie die Erdungskabel der Geräte nicht mit Gas- oder Wasserleitungen, einem Blitzableiter oder Telefonerdungskabeln. Eine unvollständige Erdung kann die Gefahr eines schweren Stromschlags verursachen, was zu Verletzungen oder Tod führen kann.
- **Verpackungsmaterial sicher entsorgen.**  
Verpackungsmaterial wie Nägel und andere Teile aus Metall oder Holz können Stiche oder andere Verletzungen verursachen. Zerreißen Sie Verpackungs-Plastikbeutel und werfen Sie sie weg, damit Kinder nicht damit spielen. Wenn Kinder mit Plastikbeuteln spielen, können sie ersticken.
- **Installieren Sie das Gerät nicht in der Nähe von brennbarem Gas oder Gasdämpfen.**
- **Stellen Sie sicher, dass Sie die mitgelieferten oder genau angegebenen Montageteile verwenden.**  
Die Verwendung anderer Bauteile kann zu Ausfall des Geräts oder zu Wasseraustritt, Stromschlag, Brand oder Beschädigung der Ausrüstung führen.
- **Bei der Installation oder dem Transport des Systems an einen anderen Platz darf keine Luft oder andere Substanzen als das spezifizierte Kühlmittel (R410A) in den Kühlkreislauf gelangen.**
- **Nehmen Sie nie Änderungen am Gerät vor indem Sie die Sicherheitsschalter entfernen oder die Schutzvorrichtungen umgehen.**
- **Elektrische Arbeiten sollen in Übereinstimmung mit dem Installationshandbuch und den lokalen, staatlichen und nationalen Normen für Verkabelung durchgeführt werden.**

# 1. INSTALLATIONSVORBEREITUNG

### ! WARNHINWEIS

- **Stellen Sie sicher, dass ein gesonderter Stromkreis verwendet wird. Verwenden Sie nie die gleiche Steckdose gleichzeitig für andere Geräte.**
- **Damit Gefahren aufgrund von unbeabsichtigtem Zurücksetzen der Thermosicherung vermieden werden, darf die Stromversorgung dieses Geräts nicht durch ein externes Schaltgerät wie einen Timer erfolgen und das Gerät darf nicht an einen Kreislauf angeschlossen werden, der von dem Hilfsprogramm regelmäßig ein- und ausgeschaltet wird.**
- **Benutzen Sie die für die elektrische Verbindung vorgeschriebenen Kabel mit einer schlauchgeschützten Isolierung mit entsprechender Temperaturbeständigkeit.**  
Nicht konforme Kabel können Kriechstrom, Störung der Wärmeleistung oder Brand verursachen.
- **Verwenden Sie zur Beschleunigung des Entfrostens oder zum Reinigen nur die von dem Hersteller empfohlenen Mittel.**
- **Das Gerät soll sich in einem Raum ohne Zündquellen, die dauernd in Betrieb sind (z.B. offenes Feuer und Gasgeräte oder Elektroheizgeräte, die in Betrieb sind), befinden.**
- **Nicht gewaltsam öffnen oder verbrennen.**
- **Beachten Sie, dass Kältemittel keinen Geruch haben sollten.**
- **Das Gerät soll in einem gut gelüfteten Raum gelagert werden, dessen Größe der vorgeschriebenen Betriebsraumgröße entspricht.**
- **Für Modelle mit Kältemittel R32:**  
Das Gerät soll in einem Raum installiert, benutzt und gelagert werden, dessen Grundfläche größer als 4m<sup>2</sup> ist.  
Das Gerät darf nicht in einem unbelüfteten Raum installiert werden, wenn dieser kleiner als 4m<sup>2</sup> ist.
- **Für Modelle mit Kältemittel R290 ist die benötigte Mindestgröße des Raums:**  
≤9000Btu/h: 13m<sup>2</sup>  
>9000Btu/h und ≤12000Btu/h: 17m<sup>2</sup>  
>12000Btu/h und ≤18000Btu/h: 26m<sup>2</sup>  
>18000Btu/h und ≤24000Btu/h: 35m<sup>2</sup>

### ! ACHTUNG


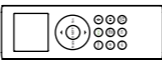






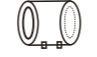
Dieses Symbol bedeutet die Möglichkeit von Sachschaden oder schweren Folgen.

- **Um Körperverletzungen vorzubeugen, gehen Sie mit Bauteilen mit scharfen Kanten vorsichtig um.**
- **Installieren Sie das Innen- oder Außengerät nicht an Stellen mit besonderen Umgebungsbedingungen.**
- **Installieren Sie das Gerät nicht an Standorten, die den Lärm aus dem Gerät verstärken können oder wo der Lärm und die austretende Luft die Nachbarn stören können.**
- **Die Ablaufverrohrung soll sicher und den Anleitungen des Installationshandbuchs gemäß durchgeführt werden.**  
Unsachgemäß installierte Ablaufrohre können zu Wasseraustritt und zu Schäden am Gebäude führen.
- **Die Klimaanlage darf nicht an folgenden Stellen installiert werden:**
  - **Wo es Mineralöl oder Arsensäure gibt.**
  - **Wo sich Schadgas (wie schwefelsäurehaltiges Gas) oder brennbares Gas (wie Verdüner) ansammeln kann oder wo mit volatilen, brennbaren Substanzen umgegangen wird.**
  - **Wo es Geräte gibt, die elektromagnetische Felder oder Hochfrequenzoberwellen produzieren.**
- **Das Gerät soll so gelagert werden, dass es nicht zu mechanischen Schäden kommen kann.**
- **Jede Person, die an einem Kältemittelkreislauf arbeitet oder darin eingreift, soll ein gültiges Zertifikat von einer von der Branche anerkannten Beurteilungsstelle besitzen, das ihre Kompetenz bestätigt, Kältemittel gemäß einer von der Branche anerkannten Beurteilungsspezifikation sicher zu handhaben.**

# 1. INSTALLATIONSVORBEREITUNG

## 1.2 ZUBEHÖR

Folgendes Zubehör wird mit dem Gerät mitgeliefert. Typ und Menge können je nach den Spezifikationen verschieden sein.

Name des Zubehörs	Menge (Stück)	Form	Name des Zubehörs	Menge (Stück)	Form
Handbuch	3		Fernbedienung	1	
Ablauföffnung	1		Batterie	2	
Dichtungsring	1		Halterung für Fernbedienung	1	
Montageplatte	1		Schraube B	2	
Dübel	5		Kleiner Filter	1	
Schraube A	5		Magnetring (Bei manchen Anlagen)	N*	

\* bedeutet je nach aktueller Menge

## 1.3 INSTALLATIONSPLATZ WÄHLEN

### Innengerät

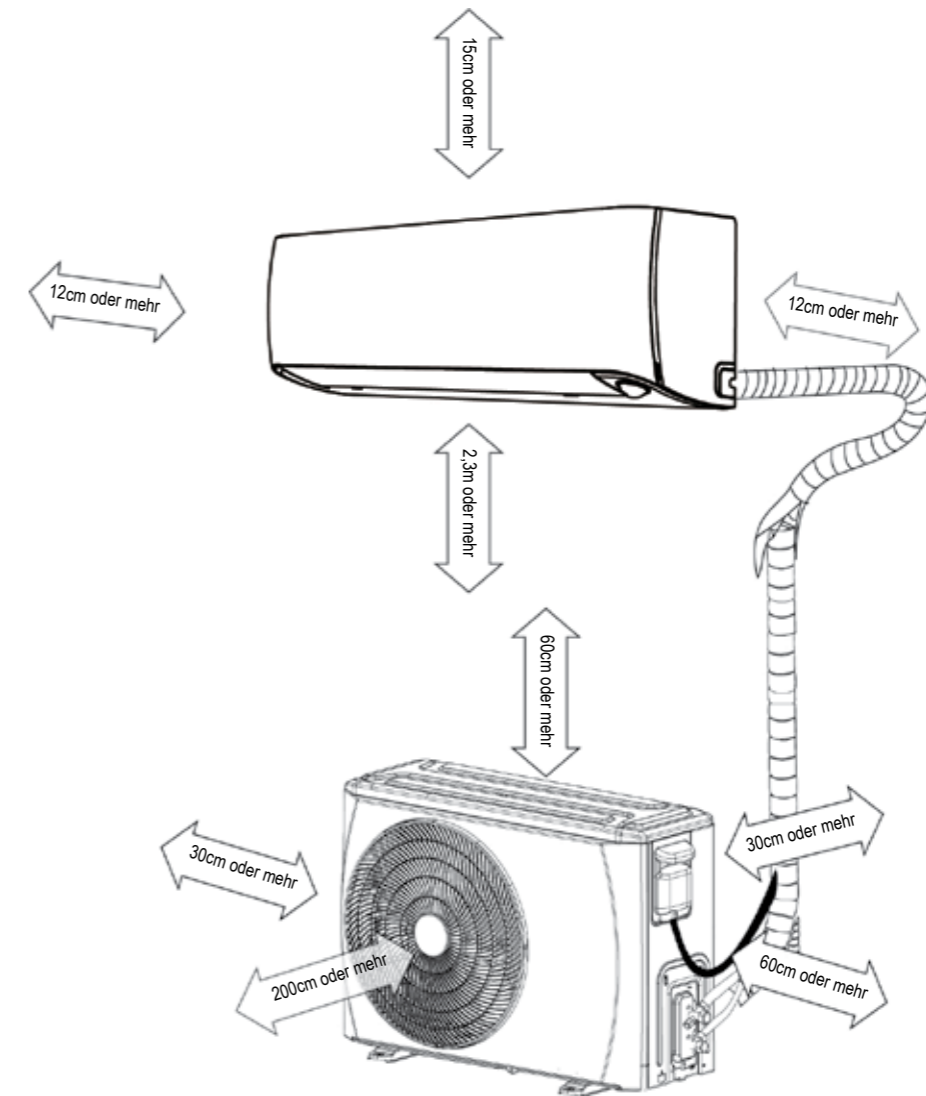
- Ein Standort, der das Gewicht des Innengeräts aufnehmen kann.
- Innengeräte dürfen nicht in der Nähe von einer direkten Wärmequelle wie direkter Sonneneinstrahlung oder Heizkörpern installiert werden.
- Ein Standort mit den geeigneten Freiräumen, wie die Abbildung unten zeigt.
- Die beweglichen Teile des Geräts müssen sich in Höhe von mindestens 2,3m von dem Boden befinden/installiert sein.

### Außengerät

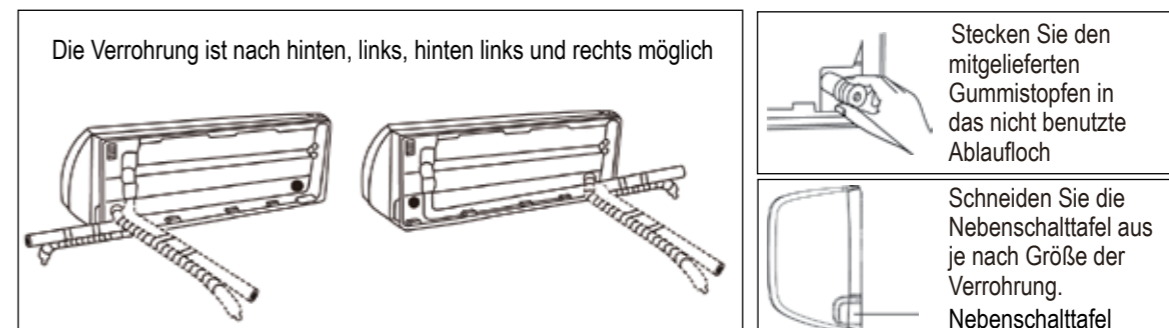
- Ein Standort, der für die Installation geeignet und windgeschützt ist. Wenn das Gerät starkem Wind ausgesetzt ist, sollte eine Windblende verwendet werden.
- Ein Standort, der das Gewicht des Außengeräts aufnehmen kann und wo das Außengerät horizontal installiert werden kann.
- Ein Standort mit den geeigneten Freiräumen, wie die Abbildung unten zeigt.

Installieren Sie das Innen- oder Außengerät nicht an Stellen mit besonderen Umgebungsbedingungen. Stellen Sie sicher, dass ausreichend Raum für die Montage und die Wartung vorhanden ist.

# 1. INSTALLATIONSVORBEREITUNG

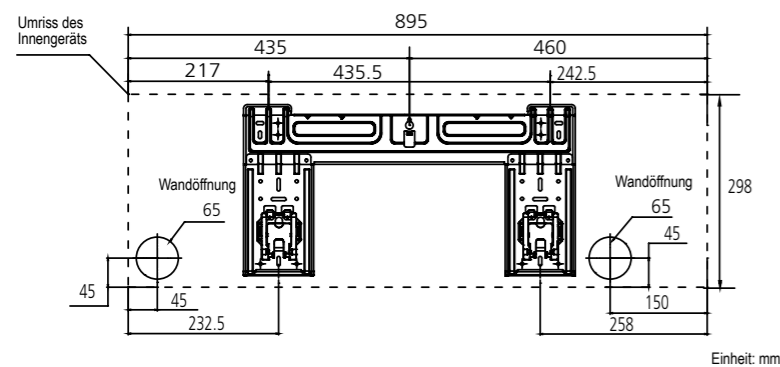


Hinweis: Halten Sie die durch Pfeile angezeigten Abstände von Wand, Decke, Gitter oder anderen Hindernissen ein.



## 2. INSTALLATION DES INNENGERÄTS

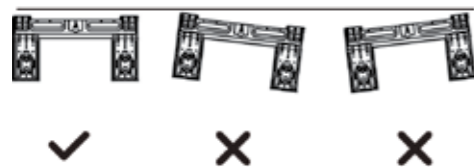
### 2.1 MONTAGEPLATTE DES INNENGERÄTS



Hinweis: Wenn das gasseitige Verbindungsrohr  $\varnothing 16\text{mm}$  (5/8in) oder größer ist, sollte das Loch für das Rohr 90mm (3,54in) betragen.

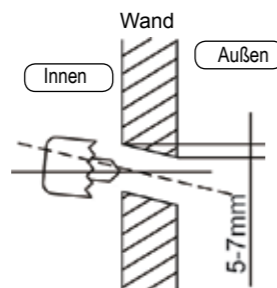
#### ■ Installation der Montageplatte

Befestigen Sie die Montageplatte horizontal und an der Wand anliegend mit fünf oder mehr A-Schrauben.



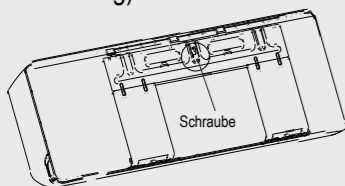
#### ■ Loch in die Wand bohren

Bohren Sie ein 65mm- oder 90mm-Loch (je nach Modell) in die Wand, leicht schräg nach außen.



Hinweis:

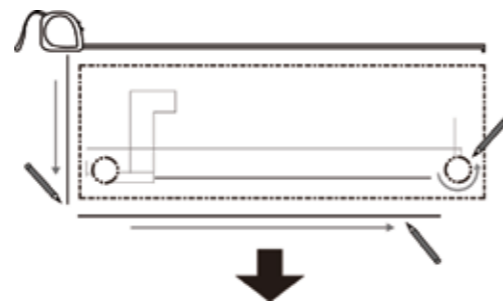
■ Die Montageplatte ist zum leichteren Transport mit einer Schraube befestigt; Sie sollen diese Schraube vor der Installierung entfernen. (Siehe Abbildung)



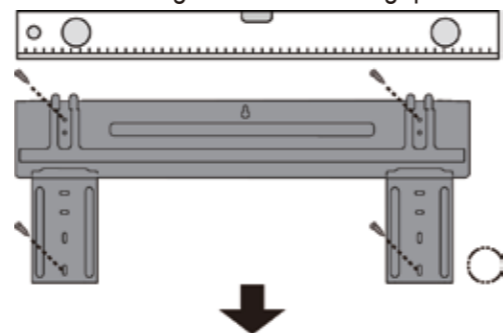
■ Je nach Größe des Geräts wird die Montageplatte wie auf einer der Abbildungen aussehen. Die Löcher für die Befestigungsdübel sollen einen Durchmesser von 5mm haben.

### 2.2 INSTALLATIONSPROZESS

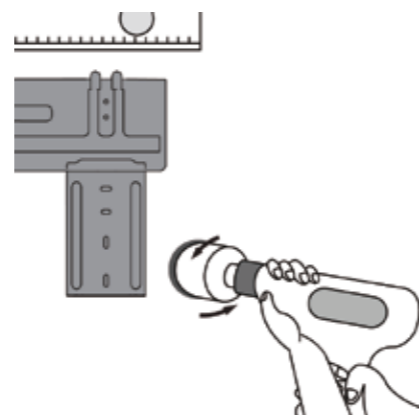
Schritt 1: Bestimmen Sie die Lage des Wandlochs



Schritt 2: Bringen Sie die Montageplatte an

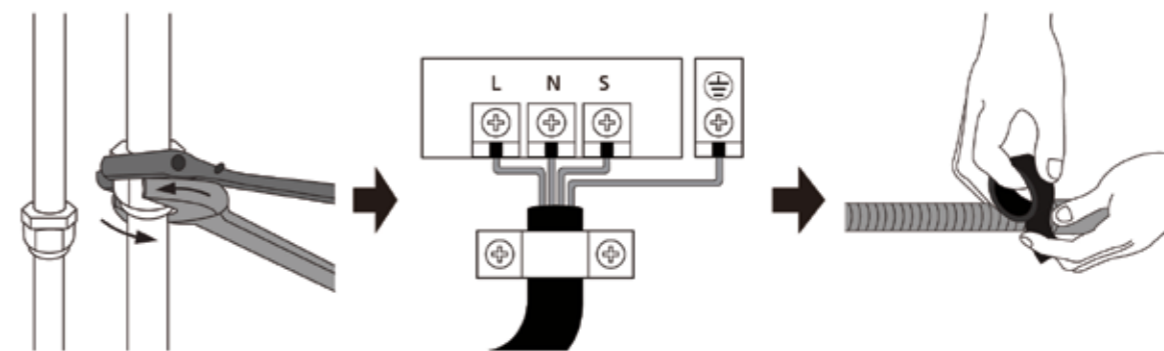


Schritt 3: Bohren Sie das Wandloch



## 2. INSTALLATION DES INNENGERÄTS

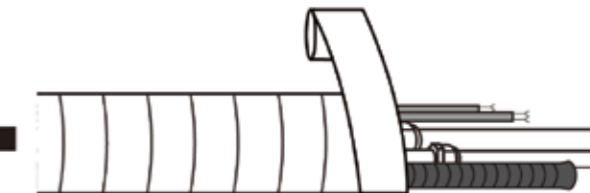
Schritt 4: Verbinden Sie das Rohr Schritt 5: Verbinden Sie das Kabel Schritt 6: Bereiten Sie den Ablaufschlauch vor



Schritt 8: Hängen Sie das Innengerät auf

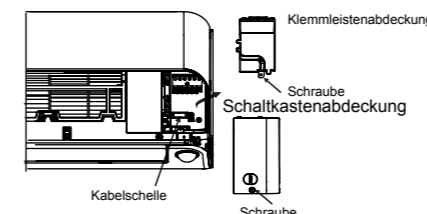
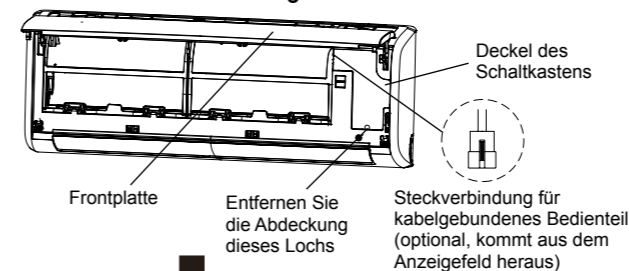


Schritt 7: Umwickeln Sie Schlauch und Kabel



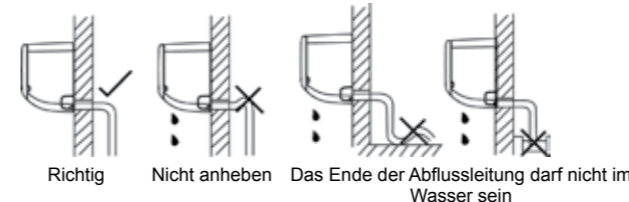
#### ■ Verkabelung des Innengeräts

1. Heben Sie die Frontplatte des Innengeräts.
2. Öffnen Sie den Deckel des Schaltkastens mit einem Schraubenzieher durch das Loch, entfernen Sie die Anschlussabdeckung mit der Hand und die Schelle des Kabels durch Lockern der Schrauben.
3. Ziehen Sie die Verbindungskabel hinter die Rückseite des Innengeräts durch und verbinden Sie sie mit der Klemmleiste des Innengeräts



#### ■ Wasserablauf

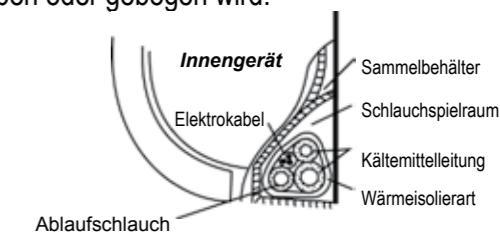
Die Abflussleitung darf keinen Trap haben, muss nach unten geneigt sein und auf der Außenwandseite isoliert sein.



#### ■ Die Leitung umwickeln

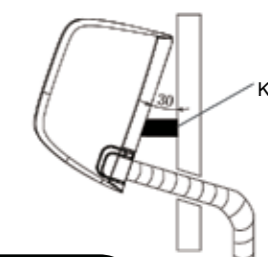
Für die richtige Orientierung der Kältemittelleitungen, der elektrischen Kabel und der Abflussleitungen siehe Abbildung unten

- Platzieren Sie den Ablaufschlauch unter die Kältemittelleitung.
- Stellen Sie sicher, dass der Ablaufschlauch nicht gehoben oder gebogen wird.



#### ■ Hängen Sie das Innengerät auf

1. Ziehen Sie die Kältemittelleitungen durch das Loch in der Wand durch.
2. Hängen Sie das Innengerät am oberen Haken der Montageplatte auf, und dann schieben Sie den unteren Teil des Innengeräts gegen die Wand zum unteren Haken hin.
3. Bewegen Sie das Innengerät nach rechts und links und nach oben und unten, um zu prüfen, ob es sicher aufgehängt ist.



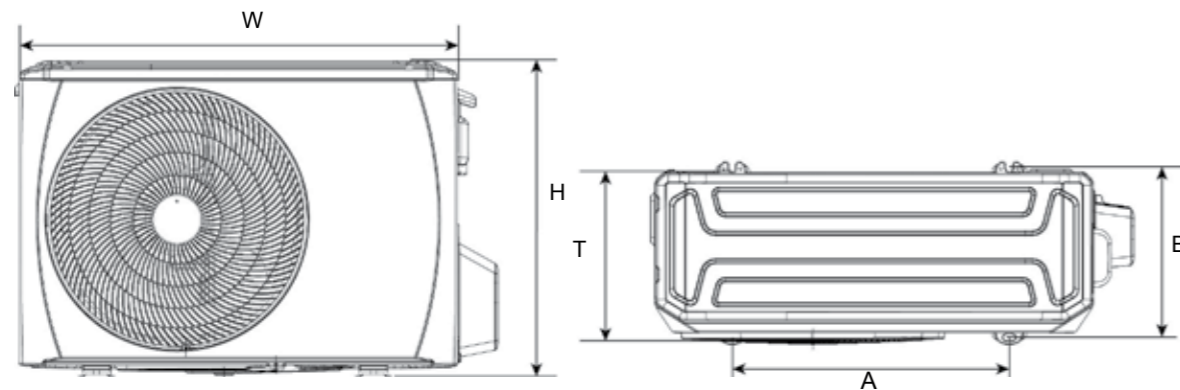
#### ⚠ ACHTUNG

- Die Anschlusssteile der Anschlussleitung müssen sich außerhalb des Raums befinden.

# 3. INSTALLATION DES AUSSENGERÄTS

## 3.1 MONTAGEABMESSUNGEN FÜR DAS AUSSENGERÄT

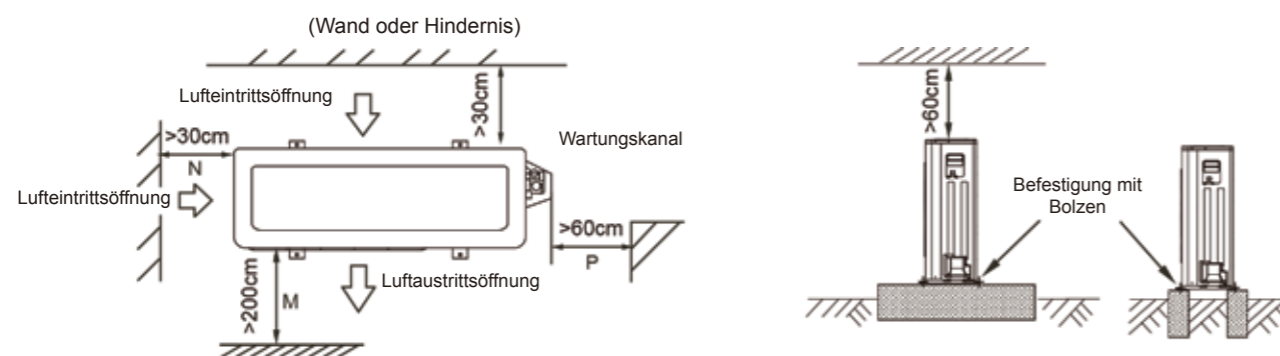
Die Montageausmessungen sind bei den verschiedenen Außengeräten unterschiedlich. Der Kopfdurchmesser des Befestigungsbolzens sollte mehr als 12mm betragen.



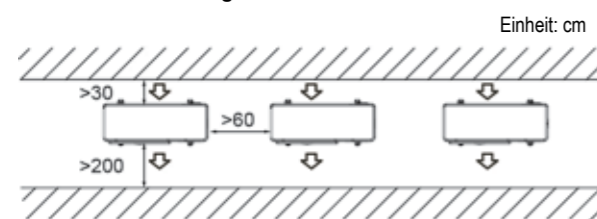
Abmessungen des Außengeräts (mm)			Montageabmessungen (mm)		
Außengerät	W	H	T	A	B
38QHP09E8S-1 38QHP12E8S-1	805	554	330	511	317

## 3.2 PLATZANFORDERUNGEN FÜR DAS AUSSENGERÄT

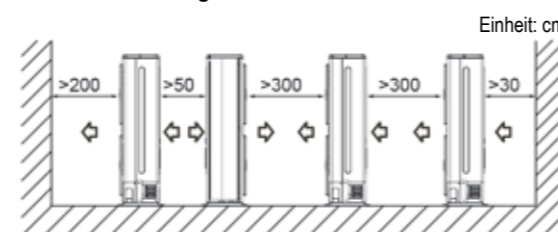
### Installation eines einzelnen Geräts



### Parallele Verbindung von zwei oder mehr Geräten



### Parallele Verbindung der Vorderseite mit den Hinterseiten



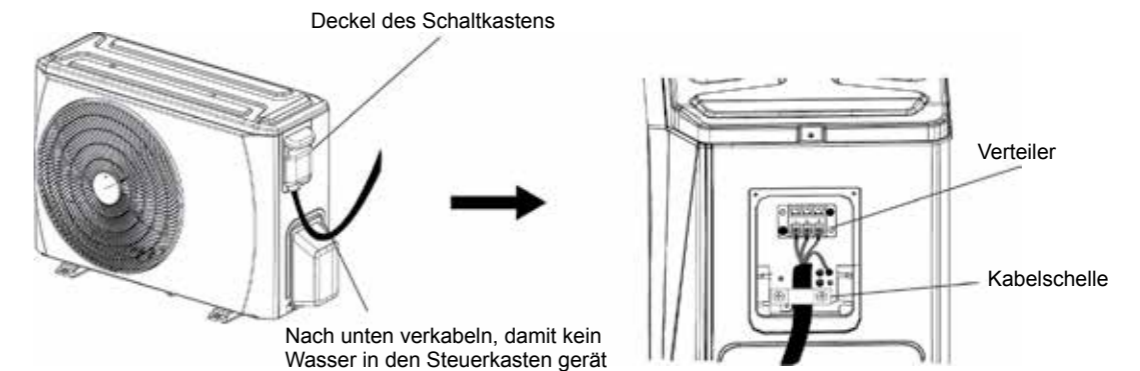
### ACHTUNG

- In Gegenden mit Schneefällen und niedrigen Temperaturen sollten Sie das Außengerät nicht an Stellen installieren, wo es mit Schnee bedeckt werden könnte. Wenn schwerer Schneefall erwartet wird, sollte ein bauseitig bereitgestelltes Eis- oder Schneegestell und/oder eine Windblende installiert werden, um das Gerät vor Schneeanhäufung zu beschützen und/oder das Blockieren des Lufteintritts zu vermeiden.

# 3. INSTALLATION DES AUSSENGERÄTS

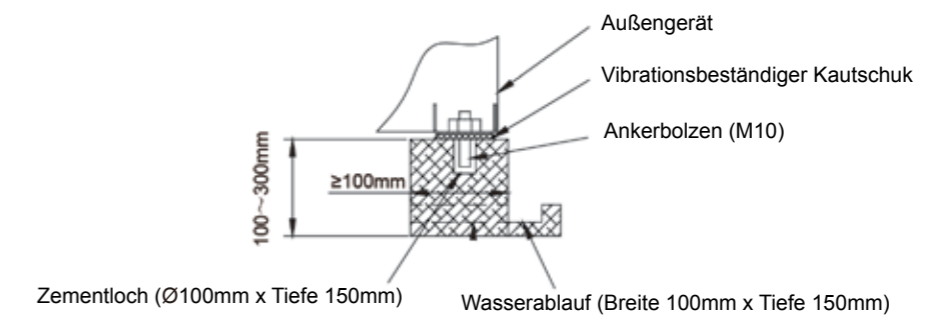
## 3.3 KABELVERBINDUNG DES AUSSENGERÄTS

- Entfernen Sie den Deckel des Schaltkastens und die Kabelschelle, indem Sie die Schrauben lockern.
- Verbinden Sie die Kabel mit der Klemmleiste des Außengeräts so, wie Sie es für das Innengerät getan haben.



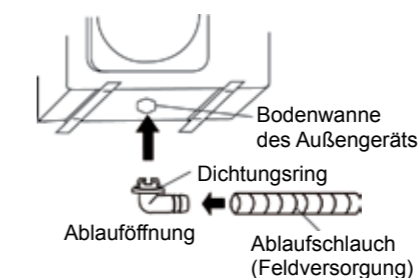
## 3.4 INSTALLATION DES AUSSENGERÄTS

- Vor der Installation prüfen Sie die horizontale und vertikale Belastbarkeit der Grundlage, damit keine abnormen Geräusche produziert werden.
- Befestigen Sie die Grundlage mit Ankerbolzen (M10), damit sie nicht umfällt.
- Installieren Sie eine Unterlage aus vibrationsbeständigem Kautschuk als direkte Stütze der unteren Fläche des Befestigungsarms, der sich mit der unteren Platte des Außengeräts in Kontakt befindet.



## 3.5 INSTALLATION DES ABLAUFROHRS FÜR DAS AUSSENGERÄT

- Schließen Sie einen Verlängerungsschlauch an den Stopfen an.
- Bringen Sie den Dichtungsring am Stopfen an.
- Stecken Sie den Stopfen in die Öffnung der Bodenwanne des Außengeräts ein, und drehen Sie um 90 Grad, damit er fest sitzt.





# 4. KÄLTEMITTEL-VERROHRUNGSARBEITEN

## ACHTUNG

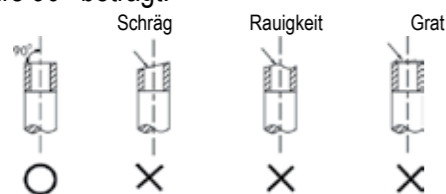
- Prüfen Sie, ob der Höhenunterschied zwischen Innen- und Außengerät und die Gesamtlänge der Kältemittelleitung die Systemanforderungen erfüllen.
- Die Arbeiten der Kältemittelverrohrung kommen nach der Installation des Innen- und Außengeräts; verbinden Sie das Rohr zuerst auf der Innenseite und dann auf der Außenseite.
- Die Enden der Rohre sollen immer abgedichtet sein; dazu sollen Sie während der Installation einen Verschluss verwenden oder sie mit Band umwickeln. Nehmen Sie sie NICHT ab, bis Sie in der Lage sind, die Rohre zu verbinden.
- Sie müssen alle Feldverrohrungen bis zu der Rohrverbindung innerhalb des Geräts isolieren. Nicht isolierte Verrohrungen können Kondensat oder Brände bei Berührung verursachen.
- Wenn sich das Außengerät in der höchsten Position befindet und der Höhenunterschied mehr als 10m beträgt, ist es ratsam, alle 5-8m einen Ölrücklaufbogen zu installieren. Der Radius des Ölrücklaufbogens sollte größer als 10cm sein.

### 4.1 BÖRDELUNG

#### HINWEIS

- Für die Bördelung sind Rohrschneidezange, Reibahle, Bördelwerkzeug und Rohrhalterung erforderlich.
- Für Modelle, die das Kältemittel R32 verwenden, müssen die Rohrverbindungspunkte außerhalb des Raums platziert werden.

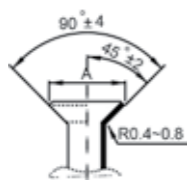
4.1.1 Schneiden Sie mit der Rohrschneidezange das Rohr in der gewünschten Länge. Stellen Sie sicher, dass der Winkel der Schnittkante zu der Seite des Rohrs 90° beträgt.



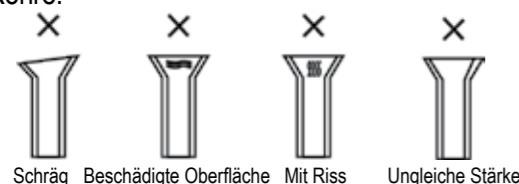
4.1.2 Benutzen Sie eine Reibahle um Grat zu entfernen; die Schnittfläche soll nach unten sein, damit die Splitter nicht in das Rohr gelangen.

4.1.3 Benutzen Sie bei der Bördelung das Bördelwerkzeug nach folgender Tabelle.

Außendurchmesser	A (mm)	
	Max	Min
Ø6,35 mm	8,7	8,3
Ø9,52 mm	12,4	12,0
Ø12,7 mm	15,8	15,4
Ø15,88 mm	19,0	18,6
Ø19,05 mm	23,3	22,9



4.1.4 Prüfen Sie, ob die Isolierung richtig durchgeführt wurde. Unten sehen Sie nicht korrekt gebördelte Rohre.

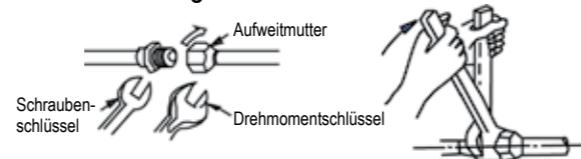


## ACHTUNG

- Sollte Löten notwendig sein, verwenden Sie Stickstoff als Treibgas.
- Ein falscher Drehmoment wird die Bördelung beschädigen oder Gasleckage verursachen.

### 4.2 VERROHRUNGSARBEITEN

4.2.1 Richten Sie die Zentren miteinander um die Bördelmutter festzudrehen und schließen Sie die Verbindung mit zwei Schraubenschlüsseln ab.



Rohrgröße	Drehmoment
Ø6,35 mm	18 ~ 20 N.m
Ø9,52 mm	25 ~ 26 N.m
Ø12,7 mm	35 ~ 36 N.m
Ø15,88 mm	45 ~ 47 N.m
Ø19,05 mm	65 ~ 67 N.m

4.2.2 Wählen Sie das geeignete Isoliermaterial für die Kältemittelleitung. (Min. 10mm, Wärmedämmstoff C)

- Verwenden Sie separate wärmedämmende Rohre für Gas- und Flüssigkeitsleitungen.
- Die angegebene Größe ist ein Standard für Innentemperatur von 27°C und 80% Feuchtigkeit. Wenn Sie an ungünstigen Stellen wie in der Nähe von Badezimmern, Küchen und anderen ähnlichen Räumen, verstärken Sie die Isolierung.
- Die Wärmebeständigkeit der Isolierung soll mehr als 120°C betragen.
- Benutzen Sie die Klebstoffe am Verbindungsteil der Isolierung, damit keine Feuchtigkeit in das Gerät gelangt.
- Reparieren und decken Sie alle Risse in der Isolierung und prüfen Sie besonders den Biegeteil oder den Aufhänger der Rohre.

# 4. KÄLTEMITTEL-VERROHRUNGSARBEITEN

### 4.3 KÄLTEMITTELEITUNG

Hinweis: Das Kältemittel sollte über den Wartungsanschluss am Niederdruckventil des Außengeräts eingefüllt werden.

	Minimale Länge, um ungewöhnliche Vibrationen oder Geräusche zu vermindern	Vorgefüllte Länge	Zusätzliche Belastung pro Meter	
			Flüssigkeitsseite: Ø6,35mm	Flüssigkeitsseite: Ø9,52mm
R32*	3 m	5 m	12 g	24 g

\* Benutzen Sie Werkzeug für R32-System.

#### HINWEIS

- Eine zusätzliche Länge des Verbindungsrohrs wird die Leistung und die Energieeffizienz des Geräts beeinflussen.
- Die Nennleistung wird ausgehend von einer Rohrlänge von 5 m geprüft.
- Wenn das Rohr länger als 5m ist, soll das zusätzliche Kältemittel der Rohrlänge entsprechend nachgefüllt werden.

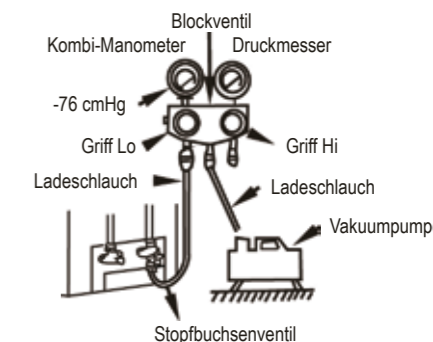
Die angezeigte maximale Rohrlänge ist unten angeführt.

Modelle	R32 Inverter	
	Maximale Rohrlänge (m)	Max. Höhenunterschied (m)
9K/12K	25	10

\* Benutzen Sie Werkzeug für R32-System.

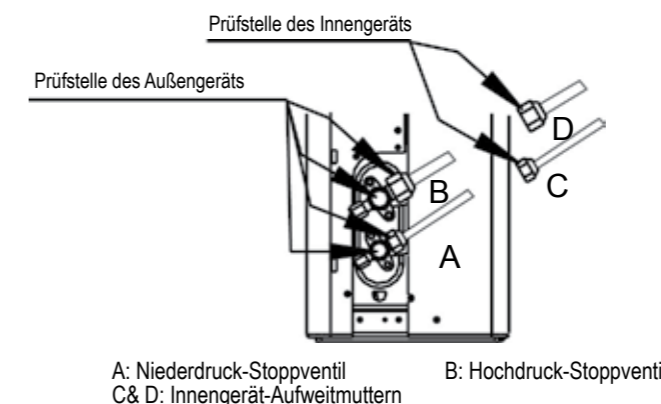
### 4.4 LUFTABSAUGUNG

- Verbinden Sie den Füllschlauch des Ansaugkrümmer-Messgeräts mit der Wartungsöffnung des gaseitigen Stopfbuchsenventils.
- Verbinden Sie den Füllschlauch mit der Vakuumpumpe.
- Drehen Sie den Griff Lo des Ansaugkrümmer-Messgeräts ganz auf.
- Nehmen Sie die Vakuumpumpe in Betrieb um die Luft aus dem System bis zu -76cmHg abzusaugen.
- Drehen Sie den Griff Lo des Ansaugkrümmer-Messgeräts zu.
- Drehen Sie den Stopfbuchsenventilschaft ganz auf.
- Nehmen Sie den Füllschlauch von der Wartungsöffnung ab.
- Machen Sie die Stopfbuchsenventilkappen fest.



### 4.5 LECKAGEPRÜFUNG

Wenn die Verrohrung zu Ende ist, müssen Sie unbedingt das Verbindungsteil von jedem Kältemittelrohr prüfen und sicherstellen, dass es keine Gasleckage gibt; dazu benutzen Sie Seifenwasser oder ein spezielles Leckprüfgerät für HFC-Kältemittel. Siehe dazu folgende Abbildung.



A: Niederdruck-Stoppventil  
B: Hochdruck-Stoppventil  
C & D: Innengerät-Aufweitmuttern

# 5. VERKABELUNG

## ⚠ ACHTUNG

- Alle elektrischen Anschlüsse müssen von qualifiziertem Installationspersonal vorgenommen werden und die Verbindung aller Kabel muss gemäß dem Verkabelungsplan durchgeführt werden.
- Die Masseverbindung soll vor allen anderen elektrischen Anschlüssen hergestellt werden.
- Vor den Verkabelungsarbeiten müssen alle Stromquellen ausgeschaltet werden und der Strom soll nicht eingeschaltet werden, bevor Sie geprüft haben, dass alle Verkabelungen sicher sind.
- Es muss ein Trenn- oder Leistungsschalter installiert werden, dessen maximale Kapazität mehr als 1,5mal größer als die des maximalen Stroms im Kreislauf sein soll.
- Ein getrennter Stromkreis und eine separate Steckdose nur für dieses Gerät müssen vorhanden sein.
- Der Leiterquerschnitt hängt von dem Nennstrom und den lokalen, staatlichen und nationalen Normen für Verkabelung ab. Informieren Sie sich bei besonderen Anforderungen über die örtlichen Bauvorschriften und die nationalen Normen für elektrische Geräte.
- Wenn das Netzkabel beschädigt ist, ist es vom Hersteller, dessen Kundendienst oder entsprechend geschultem Fachpersonal zu ersetzen, um Gefahren zu vermeiden.
- Das Gerät muss an die Hauptstromversorgung über einen Leistungsschalter oder einen Trennschalter angeschlossen werden, der allpolig trennt und eine Kontaktöffnungsweite von mindestens 3 mm hat. Es ist ratsam, eine Fehlerstrom-Schutzeinrichtung (RCD) mit einem Bemessungsfehlerstrom, der die 30mA nicht überschreitet, zu installieren.
- Dieses Gerät verfügt über einen Erdungsanschluss nur für funktionale Zwecke.

### ■ Nennstrom für jedes Modell

Modell	Nennstrom (A)	Sicherungsnennleistung (A)	Netzkabel (mit min. Leiterquerschnitt)	Verbindungskabel (mit min. Leiterquerschnitt)
38QHP09E8S-1	13,0	20	3*1,5 mm <sup>2</sup>	5*1,5 mm <sup>2</sup>
38QHP12E8S-1	13,0	20	3*1,5 mm <sup>2</sup>	5*1,5 mm <sup>2</sup>

### ANMERKUNG:

1. Alle Stromkabel müssen den lokalen, staatlichen und nationalen Normen entsprechen. Informieren Sie sich bei besonderen Anforderungen über die örtlichen Bauvorschriften und die nationalen Normen für elektrische Geräte.
2. Typ des Außenstromkabels und des Verbindungskabels: H07RN-F.
3. Der Nennstrom des Geräts ist auf dem Typenschild zu finden.
4. Die Spezifikation des Sicherung des Außengeräts ist T20 A/250 VAC (gilt nur für Geräte, die das Kältemittel R32 verwenden). Hinweis: Die Sicherung ist aus Keramik gefertigt.



### ■ Verbindungsplan

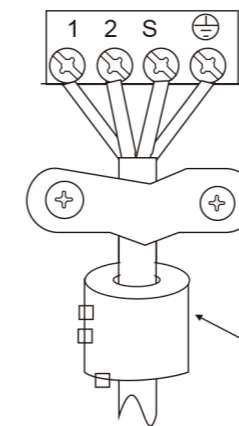
Modell	Innengerät	Außengerät
QHP09 QHP12		

# 5. VERKABELUNG

## ■ Magnetringinstallation

Hinweis: Die Klemmleiste kann je nach Modell verschieden sein.

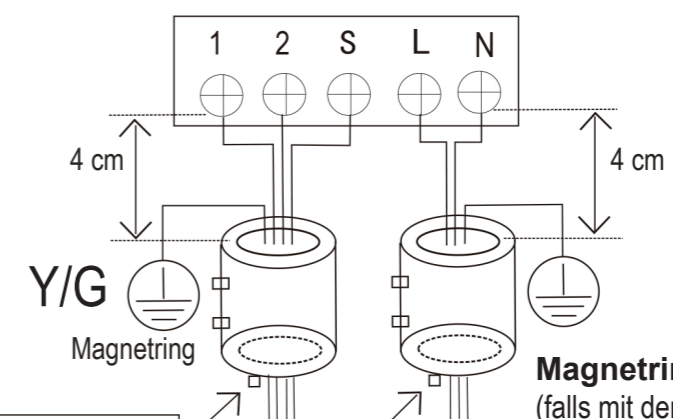
### Innengerät



### Magnetring

(falls mit dem Zubehör zusammen geliefert und verpackt)  
Ziehen Sie das Band durch das Loch des Magnetings, um es auf dem Kabel zu befestigen

### Außengerät



Ziehen Sie das Band durch das Loch des Magnetings, um es auf dem Kabel zu befestigen

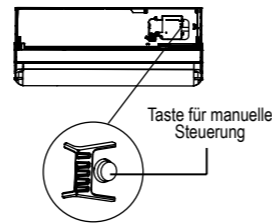
**Magnetring**  
(falls mit dem Zubehör zusammen geliefert und verpackt)

## 6. LETZTE ÜBERPRÜFUNG UND PROBELAUF

### 6.1 LISTE FÜR DIE LETZTE ÜBERPRÜFUNG

Um die Installation abzuschließen, prüfen Sie vor dem Probelauf Folgendes.

- Tragfähigkeit der Installationsstelle für Außen- und Innengerät, keine Hindernisse vor der Lufteintritts- und Luftaustrittsöffnungen.
- Dichte der Kältemittelrohrverbindungen, keine Leckage
- Die Verbindungen von Elektrokabeln sind richtig ausgeführt und das Gerät wurde geerdet
- Prüfen Sie die Gesamtlänge der Verrohrung und notieren Sie die Menge des nachgefüllten Kältemittels
- Die Stromversorgung soll der Nennspannung des Klimageräts entsprechen
- Rohrisolierung
- Ablauf



### 6.2 MANUELLER BETRIEB

Der manuelle Betrieb kann durch das Drücken auf die entsprechende Taste aktiviert werden.

Drücken Sie mehrmals auf die Handsteuerungstaste um Betriebsart wie folgt zu wechseln:

- Einmal = AUTO-Betrieb [Heizen, Kühlen oder Lüfter, 24°C und Lüftergeschwindigkeit Auto].
- Zweimal = COOLING-Betrieb [schaltet auf AUTO-Betrieb nach 30 Minuten (hauptsächlich zum Probelauf)].
- Dreimal = OFF

### 6.3 PROBELAUF

Wählen Sie die Betriebsart COOLING mit der Fernbedienung (oder mit der Handsteuerungstaste) und prüfen Sie den Betriebsstatus sowohl des Innen- als auch des Außengeräts. Falls es Fehlfunktionen gibt, korrigieren Sie sie wie im Kapitel "Fehlerbehebung" des Wartungshandbuchs beschrieben wird.

#### Innengerät

- Funktionieren die Tasten (wie ON/OFF, MODE, TEMPERATURE, FAN SPEED etc.) der Fernbedienung richtig?
- Bewegt sich der Luftstromschlitz normal?
- Ist die Raumtemperatur richtig eingestellt?
- Funktionieren die Anzeigeleuchten auf dem Anzeigefeld richtig?
- Funktioniert die Handsteuerungstaste richtig?
- Ist der Abfluss gewährleistet?
- Treten beim Betrieb Vibrationen oder ungewöhnliche Geräusche auf?
- Funktioniert das Innengerät gut in den Betriebsarten COOLING oder HEATING?

#### Außengerät

- Treten beim Betrieb Vibrationen oder ungewöhnliche Geräusche auf?
- Haben der Luftstrom, das Geräusch oder das Kondensat, die von der Klimaanlage produziert werden, Ihre Nachbarn gestört?
- Tritt Kältemittel aus?

#### ⚠ ACHTUNG

- Wenn Sie das Gerät wieder in Betrieb nehmen, gibt es eine Verzögerung des Verdichterbetriebs von ungefähr 3 Minuten zum Schutz des Geräts.

## 7. INFORMATIONEN ZUR WARTUNG

### 7.1 PRÜFUNG DER UMGEBUNG

Vor den Arbeiten an Systemen, die entzündliche Kältemittel enthalten, müssen Sicherheitsprüfungen durchgeführt werden, damit die Minimierung der Brandgefahr sichergestellt ist. Bei Reparaturen des Kältemittelsystems müssen vor den Arbeiten am System folgende Sicherheitsvorkehrungen getroffen werden.

### 7.2 ARBEITSABLAUF

Der Arbeitsablauf soll kontrolliert werden, damit die Gefahr des Vorkommens eines entzündlichen Gases oder Dampfes während der Durchführung der Arbeiten minimiert wird.

### 7.3 ALLGEMEINER ARBEITSBEREICH

Das Wartungspersonal und alle Personen, die in dem jeweiligen Arbeitsbereich tätig sind, sollen über die Natur der auszuführenden Arbeiten unterrichtet werden. Die Arbeiten in engen Räumen sind zu vermeiden. Die Gegend um den Arbeitsbereich soll abgegrenzt werden. Sorgen Sie für sichere Arbeitsbedingungen in diesem Bereich durch die Kontrolle von entzündlichen Materialien.

### 7.4 PRÜFUNG AUF DAS VORHANDENSEIN VON KÄLTEMITTEL

Vor und während der Arbeiten muss der Bereich mit einem geeigneten Prüfgerät für Kältemittel untersucht werden, damit sichergestellt wird, dass der Techniker über potenziell brennbare Atmosphären informiert ist. Stellen Sie sicher, dass die verwendete Leckerkennungseinrichtung zum Verwenden mit brennbaren Kältemitteln geeignet, das heißt, nicht funkenbildend, angemessen abgedichtet oder eigensicher ist.

### 7.5 VORHANDENSEIN EINES FEUERLÖSCHERS

Wenn Heißenarbeiten an der Kühlanlage oder deren Teilen ausgeführt werden sollen, muss eine geeignete Feuerlöschereinrichtung griffbereit sein. In der Nähe des Arbeitsbereichs soll es einen Trockenpulver- oder CO<sub>2</sub>-Feuerlöscher geben.

### 7.6 KEINE ZÜNDQUELLEN

Bei Arbeiten an einem Kühlsystem, bei denen Leitungen aufgedeckt werden, welche brennbares Kältemittel enthielten oder enthalten, dürfen die Beteiligten keine Zündquellen auf eine Weise benutzen, die Brand- oder Explosionsgefahr zur Folge haben könnte. Alle möglichen Zündquellen, Zigaretten rauchen inbegriffen, sollten von dem Bereich von Installation, Reparatur, Beseitigen und Entsorgen weit genug entfernt sein, da es möglich ist, dass brennbares Kältemittel in den Raum freigesetzt wird. Vor den Arbeiten muss der Bereich, wo sich die Einrichtung befindet, untersucht werden, damit sichergestellt ist, dass es keine Brand- oder Entzündungsgefahr gibt. Der Arbeitsbereich muss mit "RAUCHEN VERBOTEN" - Schildern versehen werden.

### 7.7 BELÜFTETER RAUM

Sorgen Sie dafür, dass sich der Arbeitsbereich im Freien befindet oder ausreichend belüftet wird, bevor Sie in das Kältemittelsystem eingreifen oder Heißenarbeiten verrichten. Während der Arbeiten soll die Belüftung in einem gewissen Maß fortgesetzt werden. Die Ventilation soll jegliches freigesetzte Kältemittel sicher zerstreuen und möglichst nach außen in die Luft ausstoßen.

### 7.8 PRÜFUNG DER KÜHLUNGS-AUSRÜSTUNG

Wenn Änderungen an elektrischen Komponenten vorgenommen werden, sollten sie zweckgemäß sein und den ordnungsgemäßen Spezifikationen entsprechen. Die Herstelleranweisungen für Wartung und Service sollen immer befolgt werden. Im Zweifelsfall wenden Sie sich an die technische Abteilung des Herstellers um Rat. Für Installationen, bei denen brennbare Kühlmittel verwendet werden, müssen folgende Prüfungen vorgenommen werden:

## 7. INFORMATIONEN ZUR WARTUNG

- die Kältemittel-Füllmenge entspricht der Größe des Raums, in dem die Kältemittel enthaltenden Teile installiert werden;
- die Ventilationsanlage und die Ventile funktionieren richtig und es gibt dort keine Hindernisse;
- wenn ein indirekter Kühlkreislauf benutzt wird, sollen die sekundären Kreisläufe auf das Vorhandensein von Kühlmittel untersucht werden; die Kennzeichnungen der Ausrüstung sollen weiterhin sichtbar und lesbar bleiben.
- unleserliche Kennzeichnungen und Zeichen sollen berichtigt werden;
- Kühlleitungen oder -komponenten sind an einer Stelle installiert, wo es nicht zu erwarten ist, dass sie Substanzen ausgesetzt werden, die eine Korrosion der Kühlmittel enthaltenden Komponenten bewirken, außer wenn die Komponenten aus Materialien bestehen, die von Natur aus korrosionsbeständig sind oder die über einen geeigneten Korrosionsschutz verfügen.

### 7.9 PRÜFUNG DER ELEKTRISCHEN GERÄTE

Zur Reparatur und Wartung von elektrischen Komponenten sollen Anfangssicherheitskontrollen und Inspektion von Komponenten gehören. Sollte es einen sicherheitsgefährdenden Fehler geben, so darf der Kreislauf nicht an Strom angeschlossen werden, bis der Fehler behoben ist. Wenn der Fehler nicht sofort behoben werden kann und die Fortsetzung des Betriebs notwendig ist, soll eine geeignete vorläufige Lösung gewählt werden. Das muss dem Besitzer der Einrichtung gemeldet werden, so dass alle Beteiligten informiert sind.

#### Zu den Anfangssicherheitskontrollen gehören:

- die Entladung der Kondensatoren auf eine sichere Weise, um die Zündmöglichkeit abzuwenden
- die Sicherstellung, dass keine spannungsführenden elektrischen Komponenten und Kabel beim Füllen, bei der Wiederherstellung oder bei der Reinigung des Systems freigelegt sind;
- dass der Masseanschluss nicht unterbrochen wird.

### 7.10 REPARATUR VON ABGEDICHTETEN KOMPONENTEN

- 10.1 Bei Reparaturen von abgedichteten Komponenten müssen alle entsprechenden Komponenten von allen Spannungsquellen getrennt werden, bevor abgedichtete Deckel usw. entfernt werden. Wenn es absolut notwendig ist, dass die Einrichtung während der Reparatur unter Strom steht, dann muss an dem kritischsten Punkt eine Leckerkennungsvorrichtung angebracht werden, die ständig in Betrieb ist, um vor eventuellen gefährlichen Situationen zu warnen.
- 10.2 Um sicherzustellen, dass bei Arbeiten an elektrischen Komponenten das Gehäuse nicht auf eine Weise verändert wird, die das Schutzniveau beeinträchtigt, muss auf Folgendes besonders geachtet werden. Dazu gehören beschädigte Kabel, Anschlüsse, die den Originalspezifikationen nicht entsprechen, beschädigte Dichtungen, nicht richtig angebrachte Stopfbuchsen usw.
- Stellen Sie sicher, dass das Gerät sicher montiert ist.
  - Stellen Sie sicher, dass die Dichtungen oder das Dichtungsmaterial nicht so sehr beschädigt sind, dass sie nicht mehr das Eindringen von Luft mit brennbaren Elementen verhindern können. Die Ersatzteile sollen den Spezifikationen des Herstellers entsprechen.

HINWEIS: Die Verwendung von Silikondichtstoffen kann die Wirkung von einigen Typen von Leckerkennungseinrichtungen hemmen.

Eigensichere Komponenten brauchen nicht vor den Arbeiten isoliert zu werden.

### 7.11 REPARATUR VON EIGENSICHEREN KOMPONENTEN

Führen Sie dem Stromkreis keine induktive Belastung oder Kapazitätsbelastung zu, ohne sicherzustellen, dass die für diese Ausrüstung erlaubten Spannung und Stromstärke nicht überschritten werden. Die eigensicheren Komponenten sind die einzigen, an denen in einer brennbaren Atmosphäre gearbeitet werden kann, wenn sie unter Strom stehen. Das Prüfgerät soll den korrekten Nennwert haben. Ersetzen Sie Komponenten nur mit von dem Hersteller vorgeschriebenen Ersatzteilen. Andere Ersatzteile können bei einer Leckage die Entzündung des Kältemittels in der Luft zur Folge haben.

## 7. INFORMATIONEN ZUR WARTUNG

### 7.12 VERKABELUNG

Stellen Sie sicher, dass die Verkabelung keinem Verschleiß, Korrosion, extremen Druck, Vibrationen, scharfen Kanten oder anderen nachteiligen Umweltbedingungen ausgesetzt sein wird. Bei der Überprüfung sollen auch die Auswirkungen von Materialalterung oder ständiger, durch Verdichter oder Lüfter verursachter Vibration berücksichtigt werden.

### 7.13 ERKENNUNG VON BRENNBAREN KÄLTEMITTELN

Bei der Suche nach und der Erkennung von Kältemittelleckagen dürfen auf keinen Fall potenzielle Entzündungsquellen verwendet werden. Es darf kein Halogenidbrenner (oder ein anderer Brenner mit einer offenen Flamme) verwendet werden.

### 7.14 LECKERKENNUNGSMETHODEN

Die folgenden Leckerkennungsmethoden werden als akzeptabel für Systeme angesehen, die brennbare Kältemittel beinhalten. Für die Entdeckung von brennbaren Kältemitteln sollen elektronische Leckprüfgeräte verwendet werden, aber es kann sein, dass sie nicht empfindlich genug sind oder dass sie neu kalibriert werden müssen. (Die Leckerkennungsausrüstung muss in einem Bereich ohne Kältemittel kalibriert werden.) Stellen Sie sicher, dass das Prüfgerät keine potenzielle Entzündungsquelle darstellt und für das Kältemittel geeignet ist. Die Leckerkennungseinrichtung muss auf einen Prozentsatz der unteren Zündgrenze (LFL) des Kältemittels eingestellt werden und auf das verwendete Kältemittel kalibriert werden, und der angemessene Prozentsatz von Gas (maximal 25%) wird bestätigt. Die Leckerkennungsflüssigkeiten sind für die Verwendung mit den meisten Kältemitteln geeignet, aber die Verwendung von Reinigungsmitteln, die Chlor enthalten, sollte gemieden werden, denn Chlor kann mit dem Kältemittel reagieren und die Kupferrohre korrodieren. Wenn Leckverdacht besteht, müssen alle offenen Flammen entweder entfernt oder gelöscht werden. Wenn eine Kältemittelleckage festgestellt wird, für die Lötten notwendig ist, muss alles Kältemittel aus dem System entfernt oder (durch Ventileschließen) in einem Teil des Systems, das von der Leckstelle entfernt ist, isoliert werden. Dann soll sauerstofffreier Stickstoff (OFN) durch das System sowohl vor als auch während des Lötens gespült werden.

### 7.15 ENTFERNUNG UND LEEREN

Wenn in den Kältemittelkreislauf für Reparaturen oder zu jedem anderen Zweck eingegriffen wird, müssen konventionelle Verfahren angewandt werden. Es ist jedoch wichtig, dass die bewährten Methoden angewandt werden, denn die Möglichkeit der Entflammbarkeit muss in Betracht gezogen werden. Folgendes Verfahren soll eingehalten werden:

- kältemittel entfernen;
- den Kreislauf mit Schutzgas reinigen;
- leeren;
- nochmals mit Schutzgas reinigen;
- den Kreislauf durch Schneiden oder Lötten öffnen.

Das eingefüllte Kältemittel muss in die richtigen Behälter geleert werden. Das System muss mit OFN durchgespült werden, damit die Anlage sicher ist. Dieser Prozess kann mehrmals wiederholt werden müssen.

Zu diesem Zweck dürfen keine Druckluft oder komprimierter Sauerstoff verwendet werden.

Das Durchspülen wird dadurch erreicht, dass das Vakuum im System mit OFN gebrochen wird und das Füllen fortgesetzt wird, bis der Betriebsdruck erreicht ist, dann in die Luft entlassen wird und schließlich wieder das Vakuum erreicht wird. Dieser Prozess soll so oft wiederholt werden, bis es im System kein Kältemittel mehr gibt. Beim letzten OFN-Füllen muss das System wieder den Luftdruck erreichen, damit Arbeiten stattfinden können. Dieses Verfahren ist von entscheidender Bedeutung, wenn Lötarbeiten an der Verrohrung vorgenommen werden sollen. Stellen Sie sicher, dass der Pumpenausgang sich nicht in der Nähe von Entzündungsquellen befindet und dass die Ventilation ausreichend ist.

## 7. INFORMATIONEN ZUR WARTUNG

### 7.16 FÜLLVERFAHREN

Zusätzlich zu den konventionellen Füllverfahren sollen folgende Anforderungen erfüllt werden:

- Stellen Sie sicher, dass bei der Verwendung der Füllrichtung nicht zu einer Verunreinigung aufgrund von Vermischung verschiedener Kältemittel kommt. Schläuche oder Leitungen müssen so kurz wie möglich sein, damit die Menge des darin enthaltenen Kältemittels minimiert wird.
- Die Behälter sollen senkrecht bleiben.
- Stellen Sie sicher, dass das Kühlsystem geerdet ist, bevor Sie Kältemittel in das System einfüllen.
- Das System soll nach Ende des Füllens gekennzeichnet werden (wenn das noch nicht der Fall ist).
- Es muss besonders darauf geachtet werden, dass das Kühlsystem nicht überfüllt wird.
- Bevor Sie das System wieder füllen, soll der Druck mit OFN geprüft werden. Das System soll nach Beendigung des Füllens, aber vor der Inbetriebnahme, einer Dichtheitsprüfung unterzogen werden. Ein Folgelecktest

### 7.17 AUSSERBETRIEBSETZUNG

Es ist wichtig, dass der Techniker vor der Durchführung dieses Verfahrens mit der Anlage und all ihren Details vertraut ist. Die sichere Entfernung aller Kältemittel ist eine empfohlene bewährte Praktik. Vor der Erledigung dieser Aufgabe muss eine Probe von Öl und Kältemittel entnommen werden.

Falls eine Analyse vor der Wiederverwendung eines rückgewonnenen Kältemittels nötig ist. Es ist wichtig, dass elektrischer Strom zur Verfügung steht, bevor mit der Erledigung dieser Aufgabe begonnen wird.

- Machen Sie sich mit der Anlage und ihrer Funktion vertraut.
- Sorgen Sie für die elektrische Isolierung des Systems.
- Bevor Sie mit dem Verfahren beginnen, stellen Sie sicher, dass:
  - mechanische Fördervorrichtungen zur Verfügung stehen, für den Fall, dass Kältemittelbehälter transportiert werden sollen;
  - die erforderliche persönliche Schutzausrüstung vorhanden ist und ordnungsgemäß verwendet wird;
  - der Rückgewinnungsprozess immer von einer kompetenten Person beaufsichtigt wird;
  - die Rückgewinnungsausrüstung den angemessenen Normen entspricht.
- Wenn möglich, saugen Sie das Kältemittelsystem ab.
- Wenn es unmöglich ist, ein Vakuum zu erreichen, verwenden Sie ein Sammelrohr, damit das Kältemittel aus den verschiedenen Teilen des Systems entfernt werden kann.
- Stellen Sie sicher, dass der Behälter vor der Rückgewinnung auf die Waage gestellt wird.
- Starten Sie die Rückgewinnungsanlage gemäß den Anleitungen des Herstellers.
- Überfüllen Sie die Behälter nicht. (Nicht mehr als 80% des Flüssigkeitsvolumens einfüllen).
- Der Betriebsdruck des Behälters darf nicht auch nur zeitweise überschritten werden.
- Wenn die Behälter korrekt gefüllt worden sind und das Verfahren beendet ist, stellen Sie sicher, dass die Behälter und die Ausrüstung sofort von der Stelle entfernt werden und alle Absperrventile der Ausrüstung geschlossen sind.
- Das rückgewonnene Kältemittel darf nicht in ein anderes Kühlsystem gefüllt werden, bevor es gereinigt und geprüft worden ist.

### 7.18 KENNZEICHNUNG

Die Ausrüstung soll gekennzeichnet werden, damit sichtbar ist, dass sie außer Betrieb gesetzt und dass das Kältemittel geleert worden ist. Das Etikett soll mit Datum und Unterschrift versehen werden. Stellen Sie sicher, dass die Ausrüstung mit Etiketten versehen ist, die bestätigen, dass sie brennbares Kältemittel enthält.

## 7. INFORMATIONEN ZUR WARTUNG

### 7.19 RÜCKGEWINNUNG

- Wenn Kältemittel aus einem System entweder zur Wartung oder zur Außerbetriebnahme entfernt wird, ist die empfohlene bewährte Praktik, das ganze Kältemittel sicher auszuleeren.
- Wenn Kältemittel in Behälter geleert wird, stellen Sie sicher, dass nur für Kältemittelrückgewinnung geeignete Behälter verwendet werden. Stellen Sie sicher, dass die richtige Anzahl von Behältern für die Gesamtmenge des Kältemittels des Systems vorhanden ist. Alle zu verwendeten Behälter müssen für das rückgewonnene Kältemittel bestimmt und gekennzeichnet sein (d.h., spezielle Behälter für die Rückgewinnung von Kältemittel). Zu den Behältern muss es auch ein Druckbegrenzungsventil und dazugehörige Absperrklappen in gutem Betriebszustand geben.
- Die leeren Rückgewinnungsbehälter müssen vor der Rückgewinnung abgesaugt und, wenn möglich, gekühlt werden.
- Die Rückgewinnungsausrüstung muss funktionsfähig sein und von Anweisungen zu ihrer Anwendung begleitet sein, und sie muss für die Rückgewinnung von brennbaren Kältemitteln geeignet sein. Zusätzlich muss eine Reihe von kalibrierten Waagen zur Verfügung stehen, die in gutem Betriebszustand sind.
- Zu den Schläuchen muss es eine dichte Verschlusskupplung geben und sie müssen in gutem Betriebszustand sein. Vor der Benutzung der Rückgewinnungsanlage stellen Sie sicher, dass sie sich in einem zufriedenstellenden Betriebszustand befindet, dass sie ordnungsgemäß gewartet ist und dass alle dazugehörigen elektrischen Komponenten abgedichtet sind, damit es im Fall von Kältemittelaustritt keine Entzündung gibt. Im Zweifelsfall fragen Sie Ihren Hersteller um Rat.
- Das rückgewonnene Kältemittel muss an den Kältemittellieferanten im vorschriftsmäßigen Behälter zurückgeschickt werden und der entsprechende Entsorgungsnachweis muss angeordnet werden. Vermischen Sie keine Kältemittel in Rückgewinnungseinheiten und besonders nicht in Behältern.
- Wenn Verdichter oder Verdichteröl entfernt werden soll, stellen Sie sicher, dass sie ausreichend abgesaugt worden sind, um zu gewährleisten, dass es im Schmiermittel keine Reste von brennbarem Kältemittel gibt. Das Absaugverfahren muss vor der Rückgabe des Verdichters an die Lieferanten erfolgen. Um dieses Verfahren zu beschleunigen darf nur elektrische Heizung des Verdichterkörpers verwendet werden. Wenn Öl aus einem System entfernt werden soll, muss das vorsichtig geschehen.

### 7.20 BEFÖRDERUNG, KENNZEICHNUNG UND LAGERUNG VON EINHEITEN

- Beförderung von Ausrüstung, die brennbare Kältemittel enthält  
Einhaltung der Transportbestimmungen
- Kennzeichnung der Ausrüstung mit Zeichen  
Einhaltung von lokalen Bestimmungen
- Entsorgung von Ausrüstung, die brennbare Kältemittel verwendet  
Einhaltung der nationalen Bestimmungen
- Lagerung von Ausrüstung/Geräten  
Die Lagerung von Ausrüstungen soll gemäß den Anleitungen des Herstellers erfolgen.
- Lagerung von verpackter (nicht verkaufter) Ausrüstung  
Der Schutz der Lagerungsverpackung soll gewährleisten, dass mechanische Schäden der verpackten Ausrüstung keine Leckage des eingefüllten Kältemittels zur Folge hat.  
Die maximale Anzahl von Ausrüstungsteilen, die zusammen gelagert werden dürfen, wird durch die lokalen Bestimmungen festgesetzt.