

AIR CONDITIONING SYSTEMS

CASSETTE TYPE

- INSTALLATION MANUAL
- ΕΓΧΕΙΡΙΔΙΟ ΕΓΚΑΤΑΣΤΑΣΗΣ
- MANUAL DE INSTALARE
- INSTALLATIONSHANDBUCH

MODELS:

V7CRI-12WiFiR/U7RS-12
V7CRI-18WiFiR/U7RS-18
V7CI-24WiFiR/U7RS-24
V7CI-36WiFiR/U7RS-36
V7CI-42WiFiR/U7RS-42
V7CI-50WiFiR/U7RT-50
V7CI-60WiFiR/U7RT-60

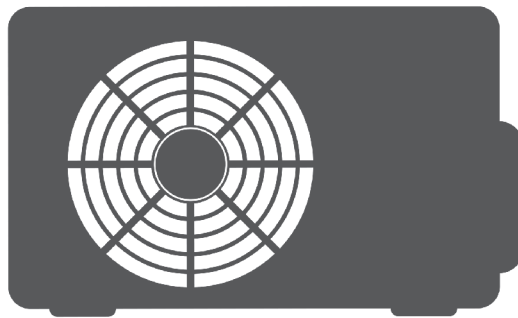
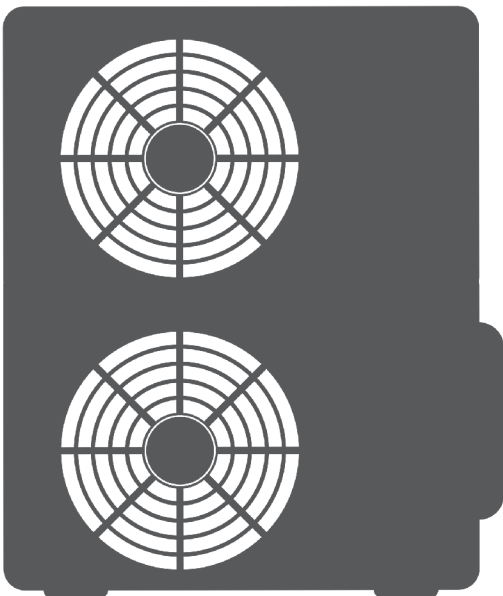
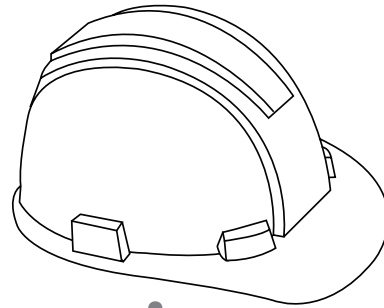


Table of Contents

Installation Manual

1 Safety Precautions04

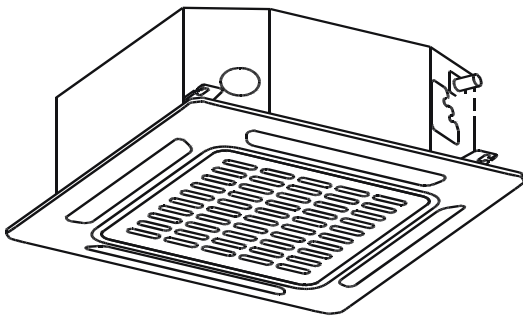
2 Accessories 10



3 Indoor Unit Installation 12

Indoor Unit Parts 12

Indoor Unit Installation Instructions 14

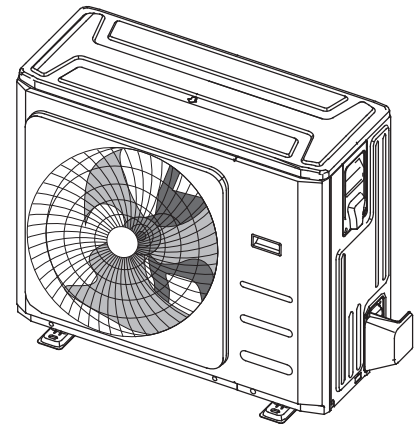


4 Outdoor Unit Installation..... 18

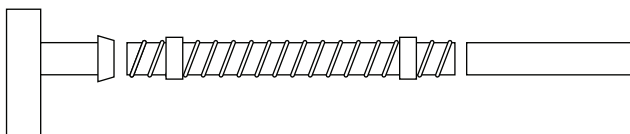
Outdoor Unit Installation Instructions18

Drain Joint Installation20

Notes on Drilling Hole in Wall20

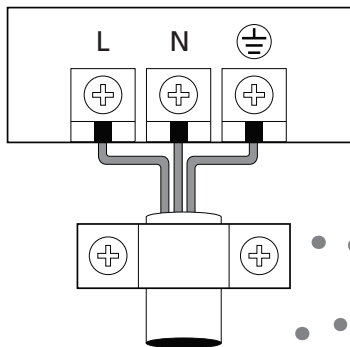


5 Drainpipe Installation.....21



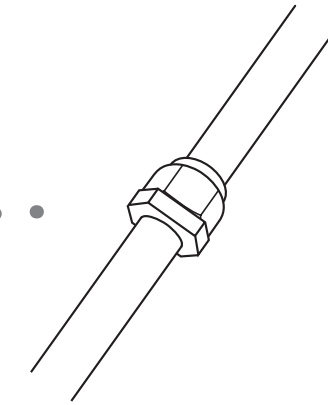
6 Refrigerant Piping Connection.....23

Notes on Pipe Length and Elevation23
Refrigerant Piping Connection Instructions ..24



7 Wiring..... 27

Outdoor Unit Wiring 28
Indoor Unit Wiring 29



8 Air Evacuation.....31

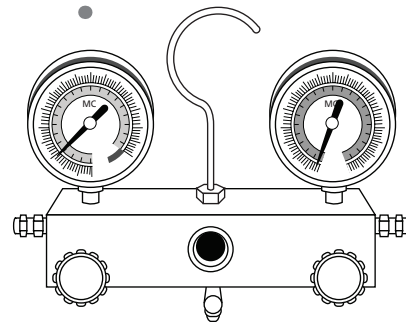
Evacuation Instructions 31
Note on Adding Refrigerant 32

9 Panel Installation 33

10 Test Run..... 37

11 European Disposal Guidelines38

12 Information Servicing..... 39



Caution : Risk of fire
(for R32/R290 refrigerant only)

WARNING:

Servicing shall only be performed as recommended by the equipment manufacturer.

Maintenance and repair requiring the assistance of other skilled personnel shall be carried out under the supervision of the person competent in the use of flammable refrigerants. For more details , please refer to the section of " Information on servicing" .

(This is only required for the unit adopts R32/R290 Refrigerant).



Safety Precautions

1

Read Safety Precautions Before Installation

Incorrect installation due to ignoring instructions can cause serious damage or injury.

The seriousness of potential damage or injuries is classified as either a **WARNING** or **CAUTION**.



Failure to observe a warning may result in death. The appliance must be installed in accordance with national regulations.



Failure to observe a caution may result in injury or equipment damage.



WARNING

1. Carefully read the Safety Precautions before installation.
2. In certain functional environments, such as kitchens, server rooms, etc., the use of specially designed air-conditioning units is highly recommended.
3. Only trained and certified technicians should install, repair and service this air conditioning unit.
4. Improper installation may result in electrical shock, short circuit, leaks, fire or other damage to the equipment and personal property.
(In North America, installation must be performed in accordance with the requirement of NEC and CEC by authorized personnel only.)
5. Strictly follow the installation instructions set forth in this manual.
6. Before you install the unit, consider strong winds, typhoons and earthquakes that might affect your unit and locate it accordingly. Failure to do so could cause the equipment to fail.
7. This appliance can be used by children aged from 8 years and above and persons with reduced physical, sensory or mental capabilities or lack of experience and knowledge if they have been given supervision or instruction concerning use of the appliance in a safe way and understand the hazards involved. Children shall not play with the appliance. Cleaning and user maintenance shall not be made by children without supervision.
(EN Standard requirements)
8. Do not use means to accelerate the defrosting process or to clean, other than those recommended by the manufacturer.
9. This appliance is not intended for use by persons (including children) with reduced physical, sensory or mental capabilities or lack of experience and knowledge, unless they have been given supervision or instruction concerning use of the appliance by a person responsible for their safety. (IEC Standard requirement)
10. Children should be supervised to ensure that they do not play with the appliance.
(IEC Standard requirement)

WARNING

11. If the supply cord is damaged, it must be replaced by the manufacturer, its service agent or similarly qualified persons in order to avoid a hazard.
12. The appliance shall be installed in accordance with national wiring regulations.
13. An all-pole disconnection device which has at least 3mm clearances in all poles, and have a leakage current that may exceed 10mA, the residual current device (RCD) having a rated residual operating current not exceeding 30mA, and disconnection must be incorporated in the fixed wiring in accordance with the wiring rules.
14. The appliance disconnection must be incorporated with an all-pole disconnection device in the fixed wiring in accordance with the wiring rules.
15. Any person who is involved with working on or breaking into a refrigerant circuit should hold a current valid certificate from an industry-accredited assessment authority, which authorises their competence to handle refrigerants safely in accordance with an industry recognised assessment specification.
16. Servicing shall only be performed as recommended by the equipment manufacturer.
17. Maintenance and repair requiring the assistance of other skilled personnel shall be carried out under the supervision of the person competent in the use of flammable refrigerants.
18. The appliance shall be stored so as to prevent mechanical damage from occurring.
19. Keep ventilation openings clear of obstruction.
20. Do not turn on the power until all work has been completed.
21. When moving or relocating the air conditioner, consult experienced service technicians for disconnection and reinstallation of the unit
22. In certain functional environments, such as kitchens, server rooms, etc., the use of specially designed air-conditioning units is highly recommended.
23. Removal of the plug has to be such that an operator can check from any of the points to which he has access that the plug remains removed.
24. If this is not possible, due to the construction of the appliance or its installation, a disconnection with a locking system in the isolated position shall be provided.
25. How to install the appliance to its support, please read the information for details in "indoor unit installation" and "outdoor unit installation".

CAUTION

- ⊘ For units that have an auxiliary electric heater, do not install the unit within 1 meter (3 feet) of any combustible materials.
 - ⊘ Do not install the unit in a location that may be exposed to combustible gas leaks. If combustible gas accumulates around the unit, it may cause fire.
 - ⊘ Do not operate your air conditioner in a wet room such as a bathroom or laundry room. Too much exposure to water can cause electrical components to short circuit.
1. The product must be properly grounded at the time of installation, or electrical shock may occur.
 2. Install drainage piping according to the instructions in this manual. Improper drainage may cause water damage to your home and property.



Cautions for using R32/R290 refrigerant

1. Installation (Space)
 - That the installation of pipe-work shall be kept to a minimum.
 - That pipe-work shall be protected from physical damage.
 - That compliance with national gas regulations shall be observed.
 - That mechanical connections shall be accessible for maintenance purposes.
 - In cases that require mechanical ventilation, ventilation openings shall be kept clear of obstruction.
 - When disposing of the product is used, be based on national regulations, properly processed.
 - The appliance shall be stored in a well-ventilated area where the room size corresponds to the room area as specified for operation.
 - Spaces where refrigerant pipes shall be compliance with national gas regulations.
2. Servicing
 - Any person who is involved with working on or breaking into a refrigerant circuit should hold a current valid certificate from an industry-accredited assessment authority, which authorises their competence to handle refrigerants safely in accordance with an industry recognised assessment specification.
 - Servicing shall only be performed as recommended by the equipment manufacturer. Maintenance and repair requiring the assistance of other skilled personnel shall be carried out under the supervision of the person competent in the use of flammable refrigerants.
3. Do not use means to accelerate the defrosting process or to clean, other than those recommended by the manufacturer.
4. The appliance shall be stored in a room without continuously operating ignition sources (for example: open flames,an operating gas appliance or an operating electric heater)
5. Do not pierce or burn.
6. Be aware that refrigerants may not contain an odour.
7. Be more careful that foreign matter(oil, water,etc) does not enter the piping. Also, when storing the piping, securely seal the opening by pinching, taping, etc.
For indoor units, use R32 flareless joint assy only when connecting the indoor unit and connecting piping(when connecting indoors). Use of pipes, flareless nut or flare nuts other than specified, may cause product malfunction, burst piping, or injury due to high internal pressure of the refrigerant cycle caused by any inflow air.
8. Appliance shall be installed, operated and stored in a room with a floor area larger than X m² (Please see the following form). The appliance shall not be installed in an unventilated space, if that space is smaller than X m² (Please see the following form).

The maximum charge in a room shall be in accordance with the following:

$$m_{\max} = 2,5 \times (\text{LFL})^{(5/4)} \times h_0 \times (\text{A})^{1/2}$$

or the required minimum floor area A_{\min} to install an appliance with refrigerant charge $M(\text{kg})$ shall be in accordance with following:

$$A_{\min} = (M / (2,5 \times (\text{LFL})^{(5/4)} \times h_0))^2$$

Where.

m_{\max} is the allowable maximum charge in a room, in kg;

M is the refrigerant charge amount in appliance, in kg;

A_{\min} is the required minimum room area, in m^2 ;

A is the room area, in m^2 ;

LFL is the lower flammable limit, in kg/m^3 ;

h_0 is the release height, the vertical distance in metres from the floor to the point of release when the appliance is installed;

$h_0 = (h_{\text{inst}} + h_{\text{rel}})$ or 0,6 m whichever is higher

h_{rel} is the release offset in metres from the bottom of the appliance to the point of release

h_{inst} is the installed height in metres of the unit

Reference installed heights are given below:

0.0 m for portable and floor mounted;

1.0m for window mounted;

1.8m for wall mounted;

2.2m for ceiling mounted;

If the minimum installed height given by the manufacturer is higher than the reference installed height, then in addition A_{\min} and m_{\max} for the reference installed height have to be given by the manufacturer. An appliance may have multiple reference installed heights. In this case, A_{\min} and m_{\max} calculations shall be provided for all applicable reference installed heights.

For appliances serving one or more rooms with an air duct system, the lowest opening of the duct connection to each conditioned space or any opening of the indoor unit greater than 5 cm^2 , at the lowest position to the space, shall be used for h_0 . However, h_0 shall not be less than 0,6 m. A_{\min} shall be calculated as a function of the opening heights of the duct to the spaces and the refrigerant charge for the spaces where leaked refrigerant may flow to, considering where the unit is located. All spaces shall have a floor area more than A_{\min} .

NOTE 1 This formula cannot be used for refrigerants lighter than 42 kg/kmol.

NOTE 2 Some examples of the results of the calculations according to the above formula are given in Tables 1-1 and 1-2.

NOTE 3 For factory sealed appliances, the nameplate on the unit itself marked the refrigerant charge can be used to calculate A_{min} .

NOTE 4 For field charged products, calculation of A_{min} can be based on the installed refrigerant charge not to exceed the factory specified maximum refrigerant charge.

The maximum charge in a room and the required minimum floor area to install an appliance, please refer to the "Owner's Manual & Installation Manual" of the unit. For specific information on the type of gas and the amount, please refer to the relevant label on the unit itself

Table.1-1 **Max Refrigerant Charge (kg)**

Refrigerant Type	LFL(kg/m ³)	Installation Height H0(m)	Floor Area (m ²)						
			4	7	10	15	20	30	50
R32	0.306	0.6	0.68	0.90	1.08	1.32	1.53	1.87	2.41
		1.0	1.14	1.51	1.80	2.20	2.54	3.12	4.02
		1.8	2.05	2.71	3.24	3.97	4.58	5.61	7.24
		2.2	2.50	3.31	3.96	4.85	5.60	6.86	8.85
		0.6	0.05	0.07	0.08	0.10	0.11	0.14	0.18
R290	0.038	1.0	0.08	0.11	0.13	0.16	0.19	0.23	0.30
		1.8	0.15	0.20	0.24	0.29	0.34	0.41	0.53
		2.2	0.18	0.24	0.29	0.36	0.41	0.51	0.65






Table.1-2 **Min. Room Area (m²)**

Refrigerant Type	LFL(kg/m ³)	Installation Height H0(m)	Charge Amount in kg Minimum Room Area (m ²)						
			1.224kg	1.836kg	2.448kg	3.672kg	4.896kg	6.12kg	7.956kg
R32	0.306	0.6	29	51	116	206	321	543	
		1.0	10	19	42	74	116	196	
		1.8	3	6	13	23	36	60	
		2.2	2	4	9	15	24	40	
		0.152kg	0.228kg	0.304kg	0.456kg	0.608kg	0.76kg	0.988kg	
R290	0.038	0.6	82	146	328	584	912	1541	
		1.0	30	53	118	210	328	555	
		1.8	9	16	36	65	101	171	
		2.2	6	11	24	43	68	115	

Note about Fluorinated Gasses

1. This air-conditioning unit contains fluorinated greenhouse gasses. For specific information on the type of gas and the amount, please refer to the relevant label on the unit itself or the "Owner's Manual - Product Fiche " in the packaging of the outdoor unit. (European Union products only).
2. Installation, service, maintenance and repair of this unit must be performed by a certified technician.
3. Product uninstallation and recycling must be performed by a certified technician.
4. For equipment that contains fluorinated greenhouse gases in quantities of 5 tonnes of CO₂ equivalent or more, but of less than 50 tonnes of CO₂ equivalent, If the system has a leak-detection system installed, it must be checked for leaks at least every 24 months.
5. When the unit is checked for leaks, proper record-keeping of all checks is strongly recommended.

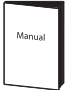





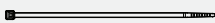

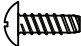





Explanation of symbols displayed on the indoor unit or outdoor unit (applicable to the unit adopts R32/R290 Refrigerant only):

	WARNING	This symbol shows that this appliance uses a flammable refrigerant. If the refrigerant is leaked and exposed to an external ignition source, there is a risk of fire.
	CAUTION	This symbol shows that the operation manual should be read carefully.
	CAUTION	This symbol shows that a service personnel should be handling this equipment with reference to the installation manual.
	CAUTION	
	CAUTION	This symbol shows that information is available such as the operating manual or installation manual.

Accessories

2

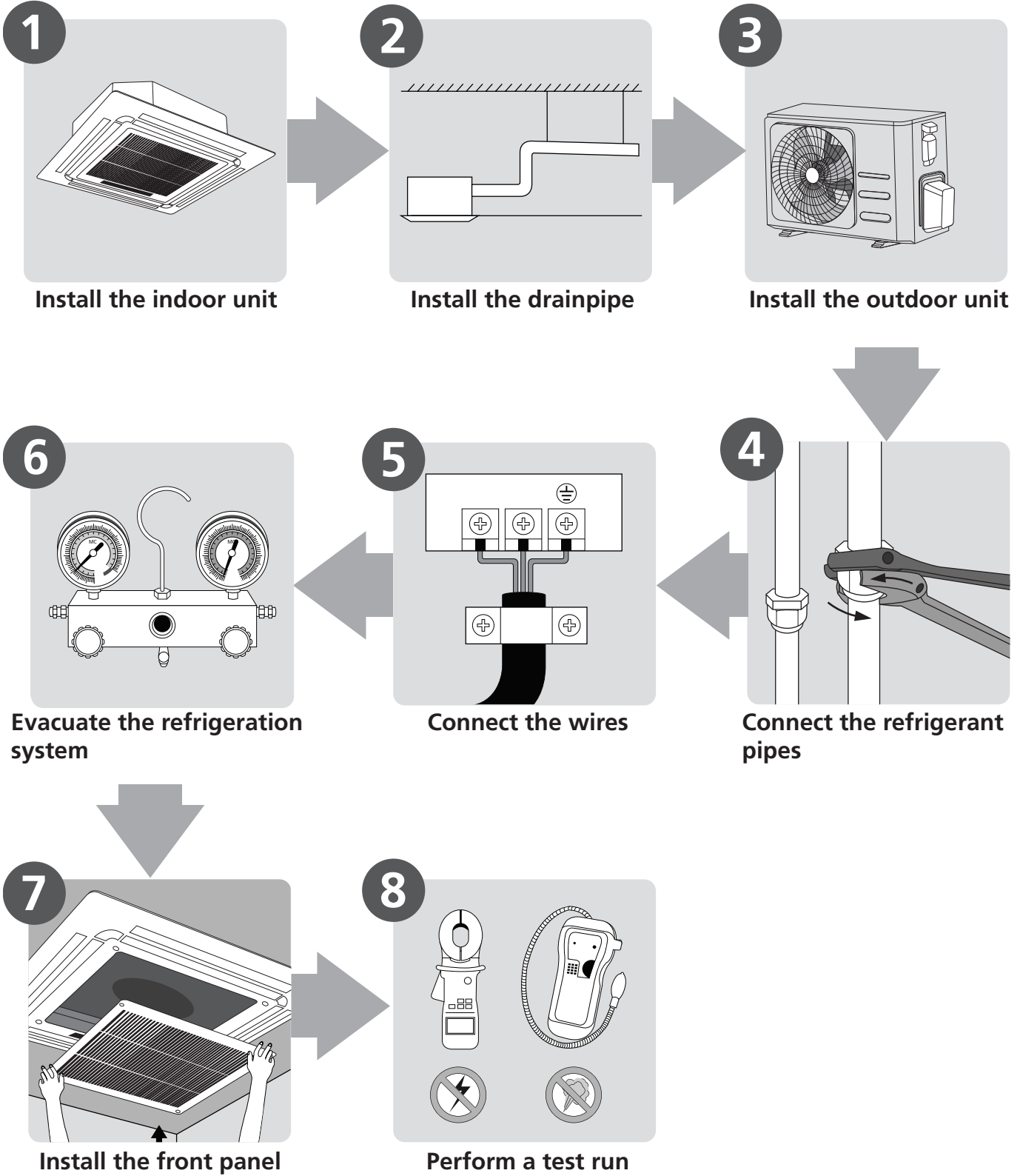
The air conditioning system comes with the following accessories. Use all of the installation parts and accessories to install the air conditioner. Improper installation may result in water leakage, electrical shock and fire, or cause the equipment to fail.

Name of Accessories	Q'ty(pc)	Shape	Name of Accessories	Q'ty(pc)	Shape
Manual	2		Installation paper template	1	
Outlet pipe sheath	1		Anti-shock rubber	1	
Outlet pipe clasp	1		Drain joint	1	
Belt	4		Seal ring	1	
Tapping screw	4		Copper nut	2	
Magnetic ring (Hitch it on the connective cable between indoor unit and outdoor unit after installation.)	Varies by model		Magnetic ring (wrap the electric wires S1 & S2 (P & Q & E) around the magnetic ring twice)	1	 S1&S2(P&Q&E) / P Q E
Remote controller holder	1		Fixing screw for remote controller holder ST2.9 x 10	2	

Note

- This indoor unit requires installation of a decoration panel.

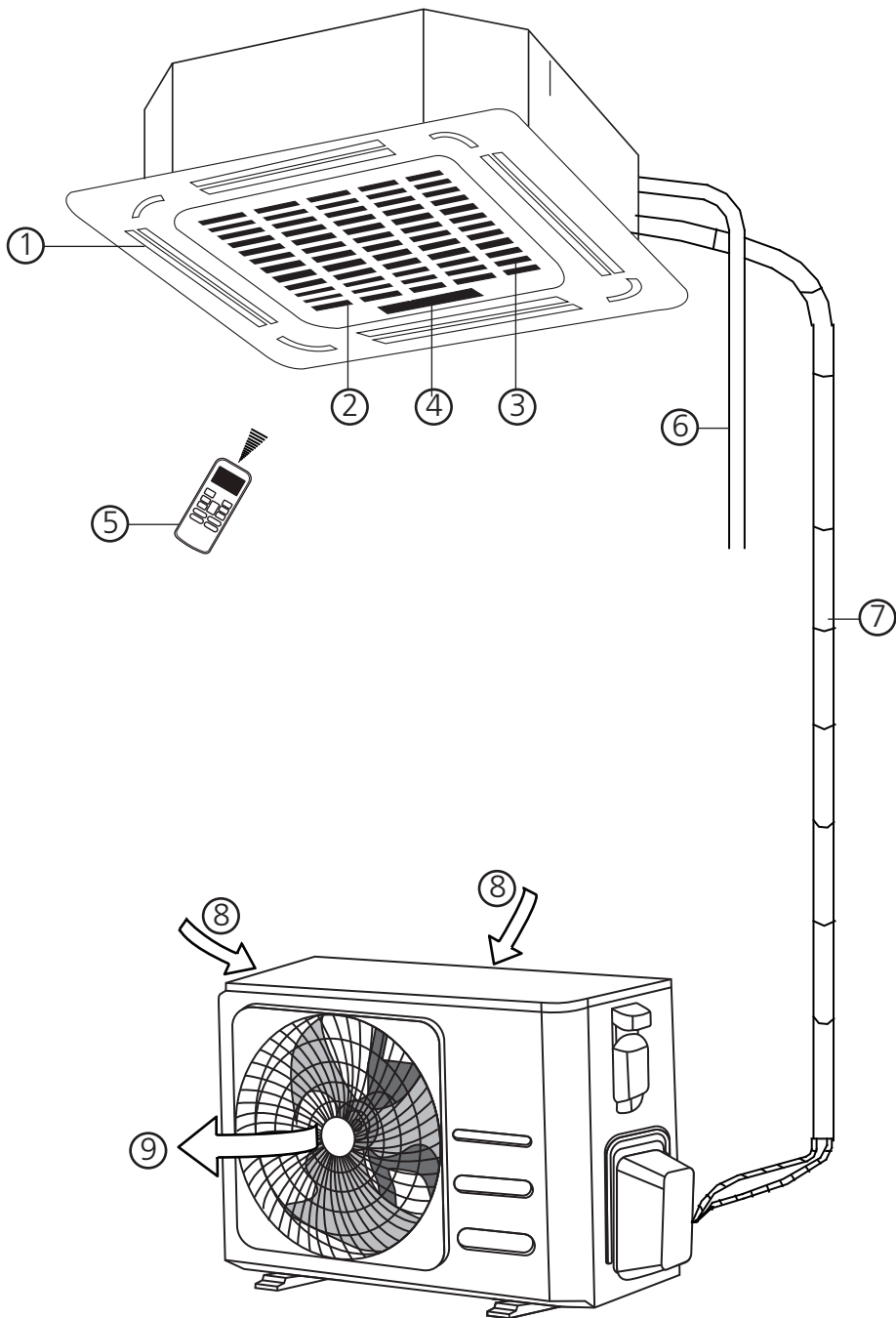
Installation Summary



Indoor Unit Installation

Indoor Unit Parts

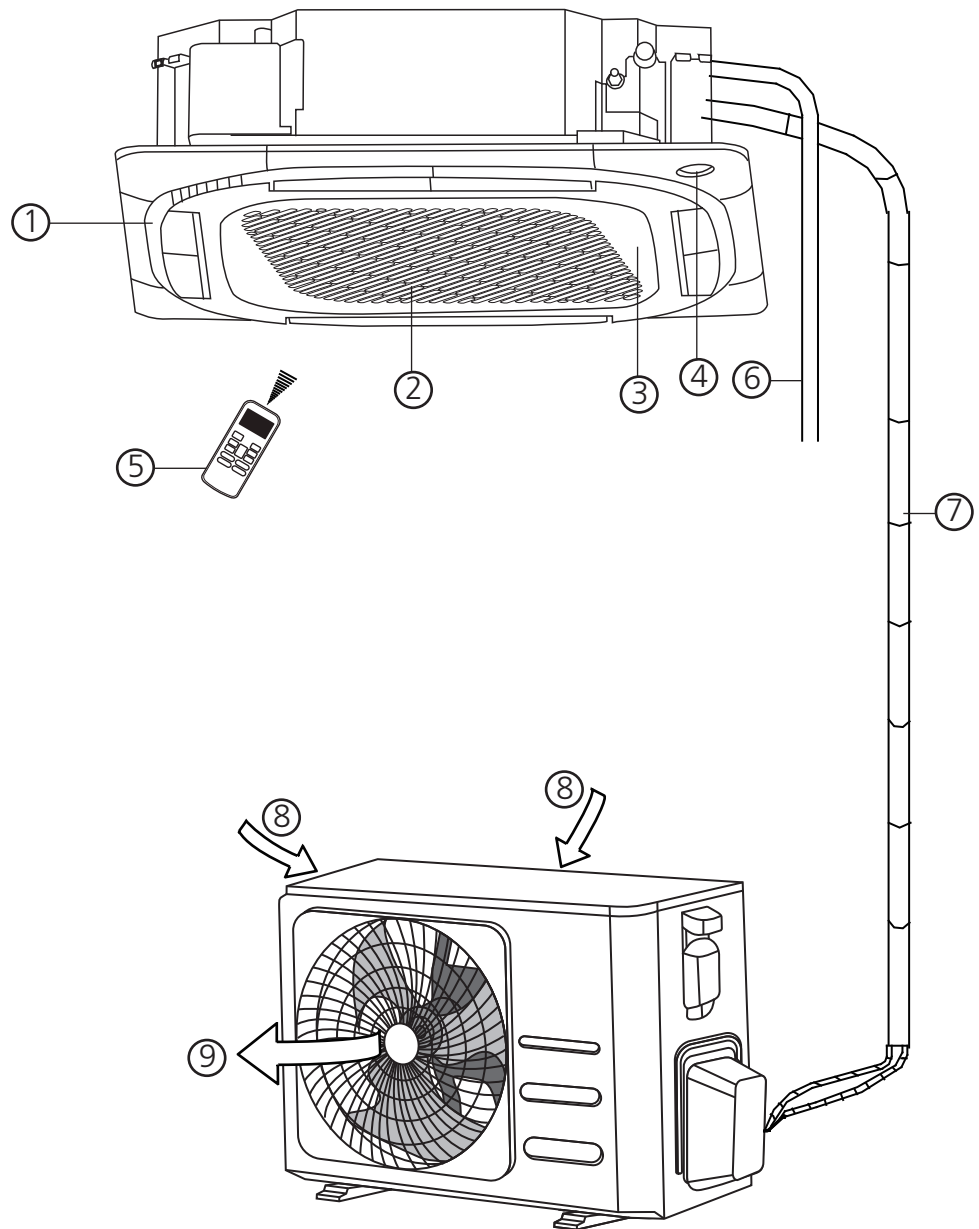
(A)



- ① Air outlet
- ② Air inlet
- ③ Front grille
- ④ Display panel
- ⑤ Remote controller
- ⑥ Drain pipe

- ⑦ Connecting pipe
- ⑧ Air inlet
- ⑨ Air outlet

(B)



- ① Air outlet
- ② Air inlet
- ③ Front grille
- ④ Display panel
- ⑤ Remote controller
- ⑥ Drain pipe

- ⑦ Connecting pipe
- ⑧ Air inlet
- ⑨ Air outlet

Safety Precautions

WARNING

- Securely install the indoor unit on a structure that can sustain its weight. If the structure is too weak, the unit may fall causing personal injury, unit and property damage, or even death.
- Install the indoor unit at a height of more than 2.5m (8') above the floor.
- **DO NOT** install the indoor unit in a bathroom or laundry room as excessive moisture can short the unit and corrode the wiring.

CAUTION

- Install the indoor and outdoor units, cables and wires at least 1m (3.2') from televisions or radios to prevent static or image distortion. Depending on the appliances, a 1m (3.2') distance may not be sufficient.
- If the indoor unit is installed on a metal part of the building, it must be grounded.

Indoor Unit Installation Instructions

NOTE: Panel installation should be done after piping and wiring.

Step 1: Select installation location

The indoor unit should be installed in a location that meets the following requirements:

- ☑ The unit is at least 1m (39") from the nearest wall.
- ☑ There is enough room for installation and maintenance.
- ☑ There is enough room for the connecting pipe and drainpipe.
- ☑ The ceiling is horizontal and its structure can sustain the weight of the indoor unit.
- ☑ The air inlet and outlet are not impeded.
- ☑ The airflow can fill the entire room.
- ☑ There is no direct radiation from heaters.

⚠ CAUTION

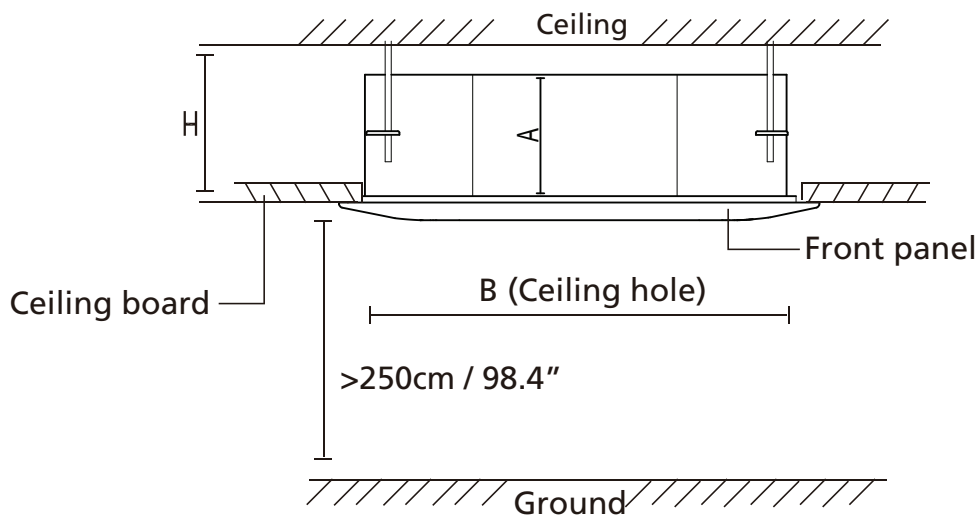
DO NOT install the unit in the following locations:

- ⊘ In areas with oil drilling or fracking
- ⊘ In coastal areas with high salt content in the air
- ⊘ In areas with caustic gases in the air, such as near hot springs
- ⊘ In areas with power fluctuations, such as factories
- ⊘ In enclosed spaces, such as cabinets
- ⊘ In kitchens that use natural gas
- ⊘ In areas with strong electromagnetic waves
- ⊘ In areas that store flammable materials or gas
- ⊘ In rooms with high humidity, such as bathrooms or laundry rooms

RECOMMENDED DISTANCES BETWEEN THE INDOOR UNIT AND THE CEILING

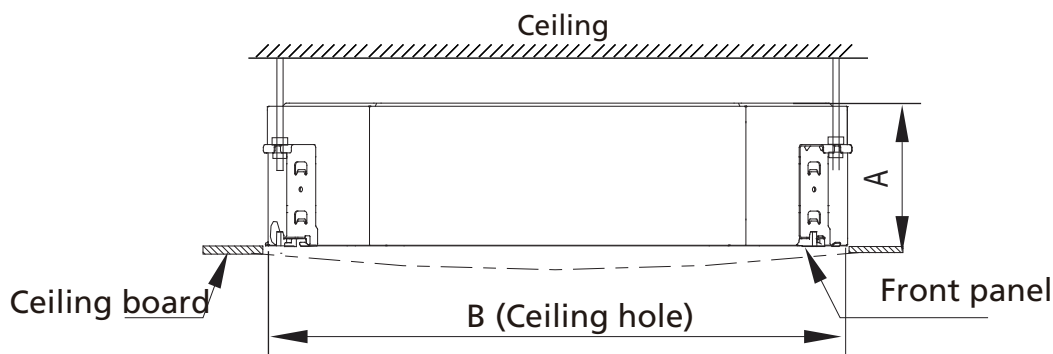
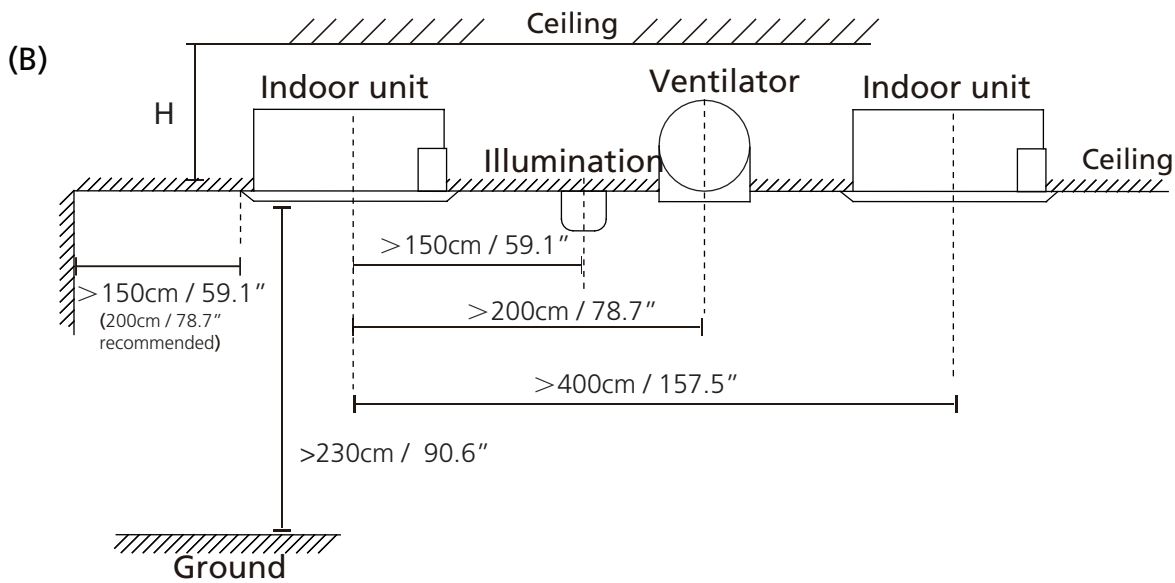
The distance between the mounted indoor unit and the internal ceiling should meet the following specifications. (See Fig. 3.2)

(A)



Distance from ceiling relative to height of indoor unit

TYPE	MODEL	Length of A (mm/inch)	Length of H (mm/inch)	Length of B (mm/inch)
Super-Slim models	24	245/9.6	> 275/10.8	880/34.5
	30	205/8	> 235/9.3	
	30-48	245/9.6	> 275/10.8	
	48-60	287/11.3	> 317/12.5	
Compact models		260/10.2	> 290/11.4	600/23.6

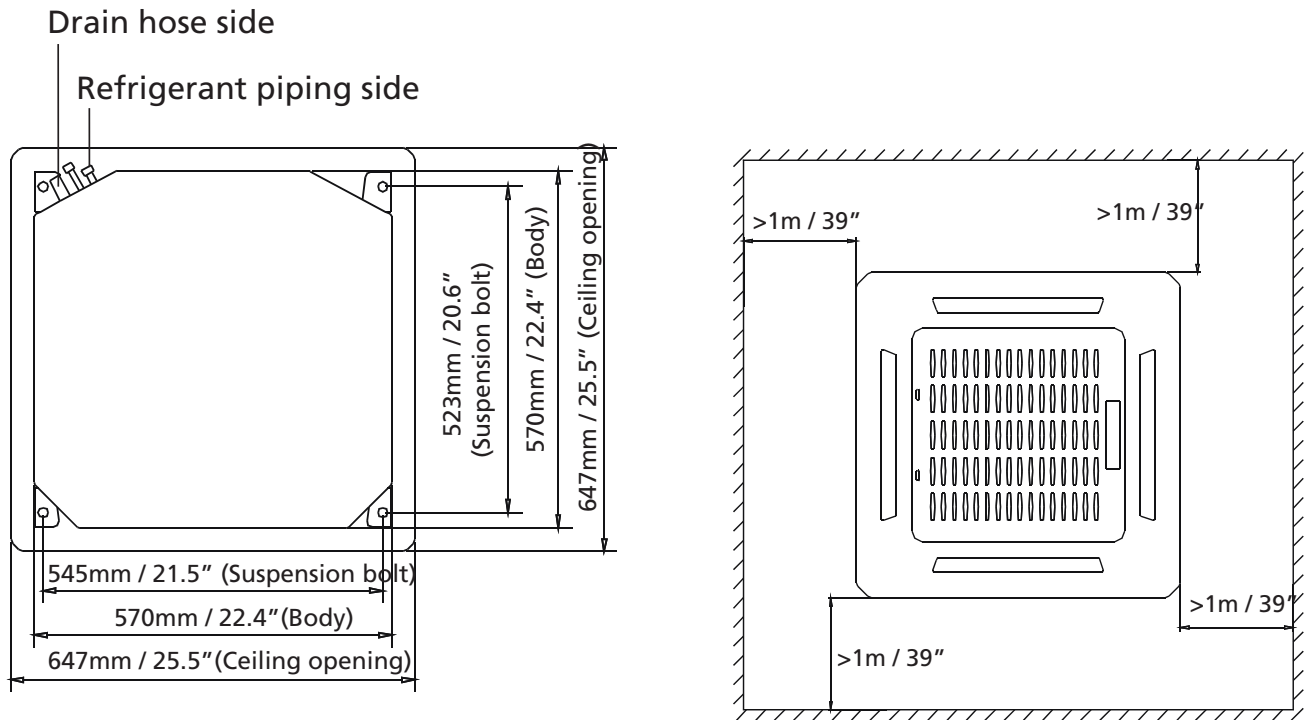


Distance from ceiling relative to height of indoor unit

MODEL	Length of A (mm/inch)	Length of H (mm/inch)	Length of B (mm/inch)
18-24	205/8.03	230/9.06	900/35.4
30-42	245/9.65	271/10.7	
42-60	287/11.3	313/12.3	

Step 2: Hang indoor unit.

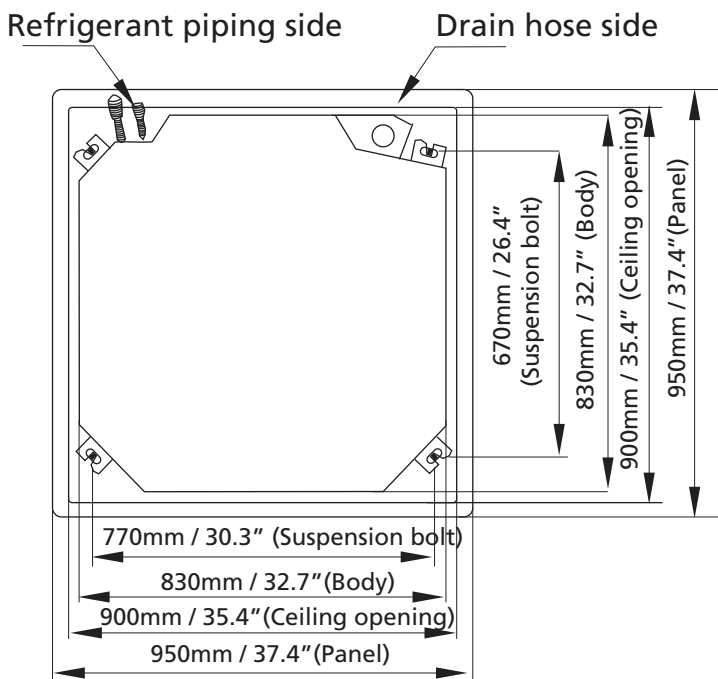
1. Use the included paper template to cut a rectangular hole in the ceiling, leaving at least 1m (39") on all sides. The hole will be 60x60cm (23.6x23.6") or 90x90cm (35.4x35.4") big. Be sure to mark the areas where ceiling hook holes will be drilled.



Models: V7CRI-12WiFiR, V7CRI-18WiFiR

Fig. 3.3

(B)



Models: V7CI-24WiFiR, V7CI-36WiFiR, V7CI-42WiFiR, V7CI-50WiFiR, V7CI-60WiFiR

CAUTION

The unit body should align perfectly with the hole. Ensure that the unit and the hole are the same size before moving on.

2. Drill 4 holes 5cm (2") or 12cm-15.5cm (4.7"-6.1") deep at the ceiling hook positions in the internal ceiling. Be sure to hold the drill at a 90° angle to the ceiling.
3. Using a hammer, insert the ceiling hooks into the pre-drilled holes. Secure the bolt using the included washers and nuts.
4. Install the four suspension bolts (See Fig. 3.4).

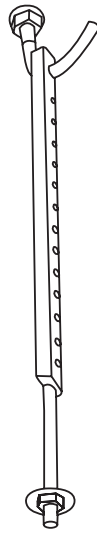


Fig. 3.4

5. Mount the indoor unit. You will need two people to lift and secure it. Insert suspension bolts into the unit's hanging holes. Fasten them using the included washers and nuts (See Fig. 3.5).

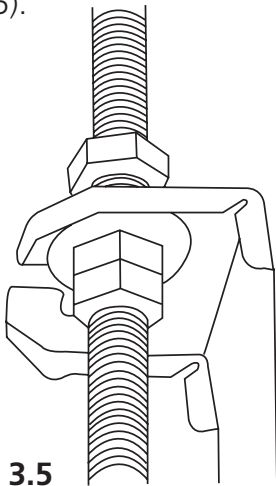


Fig. 3.5

NOTE: The bottom of the unit should be 10 - 25mm (0.4-0.98") for 24k-60k models or 24mm (0.9") for 12k-18k models higher than the ceiling board. Generally, L (indicated in Fig. 3.6) should be half the length of the suspension bolt or long enough to prevent the nuts from coming off.

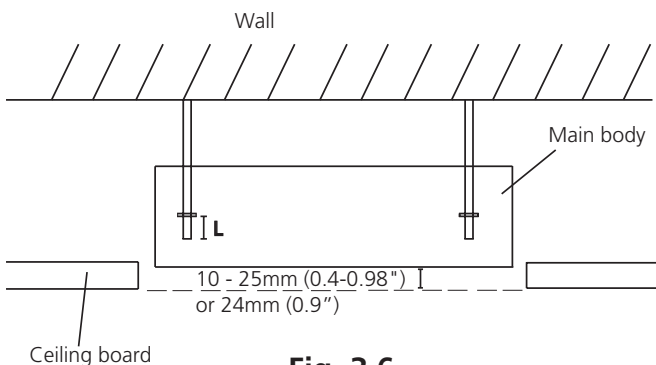


Fig. 3.6

! CAUTION

Ensure that the unit is completely level. Improper installation can cause the drain pipe to back up into the unit or water leakage.

NOTE: Ensure that the indoor unit is level.

The unit is equipped with a built-in drain pump and float switch. If the unit is tilted against the direction of condensate flows (the drainpipe side is raised), the float switch may malfunction and cause water to leak.

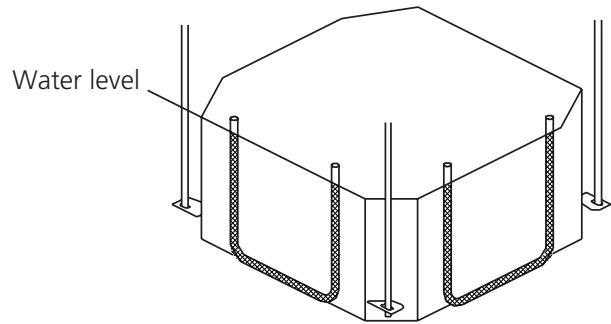


Fig. 3.7

NOTE FOR NEW HOME INSTALLATION

When installing the unit in a new home, the ceiling hooks can be embedded in advance. Make sure that the hooks do not come loose due to concrete shrinkage. After installing the indoor unit, fasten the installation paper template onto the unit with bolts (M6X12) to determine in advance the dimension and position of the opening on the ceiling. Follow the instructions above for the remainder of the installation.

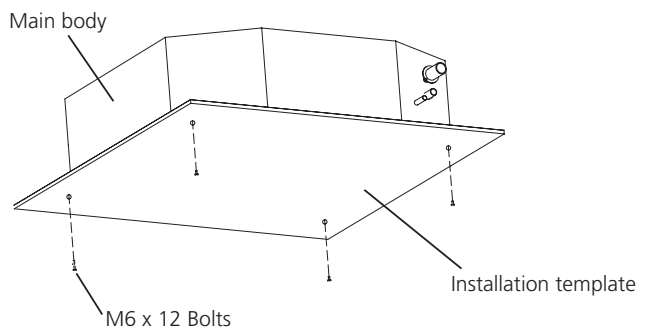


Fig. 3.8

Outdoor Unit Installation

4

Outdoor Unit Installation Instructions

Step 1: Select installation location.

The outdoor unit should be installed in the location that meets the following requirements:

- ☑ Place the outdoor unit as close to the indoor unit as possible.
- ☑ Ensure that there is enough room for installation and maintenance.
- ☑ The air inlet and outlet must not be obstructed or exposed to strong wind.
- ☑ Ensure the location of the unit will not be subject to snowdrifts, accumulation of leaves or other seasonal debris. If possible, provide an awning for the unit. Ensure the awning does not obstruct airflow.
- ☑ The installation area must be dry and well ventilated.
- ☑ There must be enough room to install the connecting pipes and cables and to access them for maintenance.

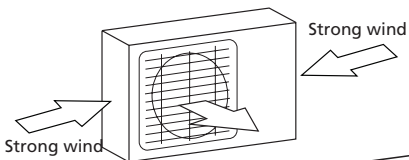


Fig. 4.1

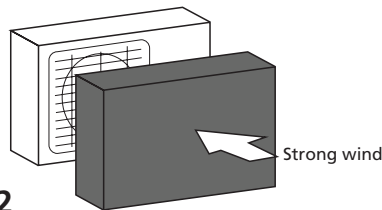


Fig. 4.2

Step 2: Install outdoor unit.

Fix the outdoor unit with anchor bolts (M10)

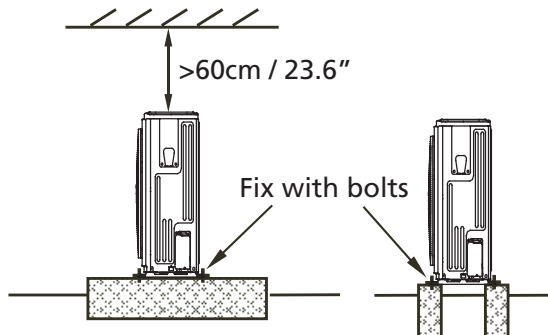


Fig. 4.3

- ☑ The area must be free of combustible gases and chemicals.
- ☑ The pipe length between the outdoor and indoor unit may not exceed the maximum allowable pipe length.
- ☑ If possible, **DO NOT** install the unit where it is exposed to direct sunlight.
- ☑ If possible, make sure the unit is located far away from your neighbors' property so that the noise from the unit will not disturb them.
- ☑ If the location is exposed to strong winds (for example: near a seaside), the unit must be placed against the wall to shelter it from the wind. If necessary, use an awning. (See Fig. 4.1 & 4.2)
- ☑ Install the indoor and outdoor units, cables and wires at least 1 meter from televisions or radios to prevent static or image distortion. Depending on the radio waves, a 1 meter distance may not be enough to eliminate all interference.

CAUTION

- Be sure to remove any obstacles that may block air circulation.
- Make sure you refer to Length Specifications to ensure there is enough room for installation and maintenance.

SPECIAL CONSIDERATIONS FOR EXTREME WEATHER

If the unit is exposed to heavy wind:

Install unit so that air outlet fan is at a 90° angle to the direction of the wind. If needed, build a barrier in front of the unit to protect it from extremely heavy winds. See Figures below.

If the unit is frequently exposed to heavy rain or snow:

Build a shelter above the unit to protect it from the rain or snow. Be careful not to obstruct air flow around the unit.

If the unit is frequently exposed to salty air (seaside):

Use outdoor unit that is specially designed to resist corrosion.

Outdoor Unit Types and Specifications

Split Type Outdoor Unit

(Refer to Fig 4.4, 4.5, 4.6, 4.10 and Table 4.1)

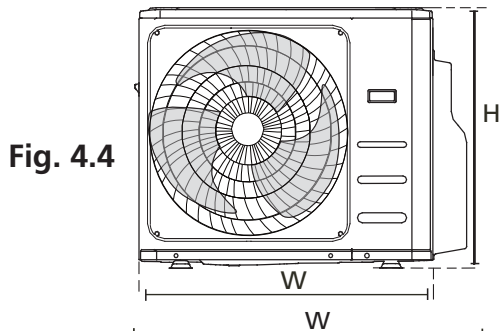


Fig. 4.4

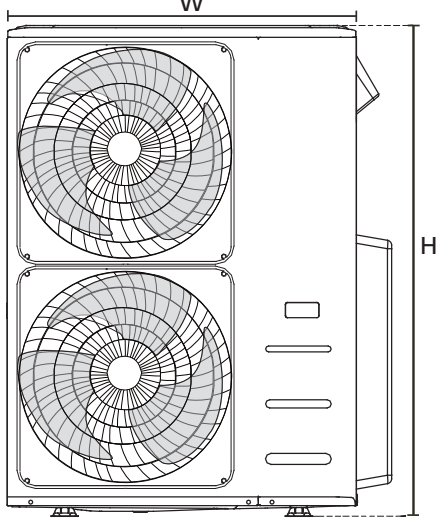


Fig. 4.5

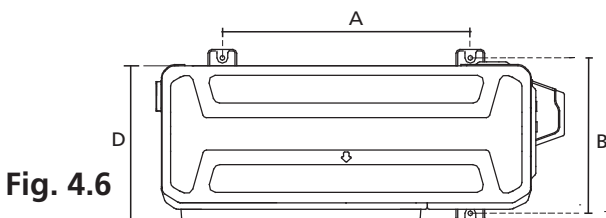


Fig. 4.6

Table 4.1: Length Specifications of Split Type Outdoor Unit (unit: mm/inch)

Outdoor Unit Dimensions W x H x D	Mounting Dimensions	
	Distance A	Distance B
760x590x285 (29.9x23.2x11.2)	530 (20.85)	290 (11.4)
810x558x310 (31.9x22x12.2)	549 (21.6)	325 (12.8)
845x700x320 (33.27x27.5x12.6)	560 (22)	335 (13.2)
900x860x315 (35.4x33.85x12.4)	590 (23.2)	333 (13.1)
945x810x395 (37.2x31.9x15.55)	640 (25.2)	405 (15.95)
990x965x345 (38.98x38x13.58)	624 (24.58)	366 (14.4)
938x1369x392 (36.93x53.9x15.43)	634 (24.96)	404 (15.9)
900x1170x350 (35.4x46x13.8)	590 (23.2)	378 (14.88)
800x554x333 (31.5x21.8x13.1)	514 (20.24)	340 (13.39)
845x702x363 (33.27x27.6x14.3)	540 (21.26)	350 (13.8)
946x810x420 (37.24x31.9x16.53)	673 (26.5)	403 (15.87)
946x810x410 (37.24x31.9x16.14)	673 (26.5)	403 (15.87)
952x1333x410 (37.5x52.5x16.14)	634 (24.96)	404 (15.9)
952x1333x415 (37.5x52.5x16.34)	634 (24.96)	404 (15.9)
890x673x342 (35x26.5x13.46)	663 (26.1)	354 (13.94)
765x555x303 (30.1x 21.8x 11.9)	452 (17.8)	286(11.3)
805x554x330 (31.7x 21.8x 12.9)	511 (20.1)	317 (12.5)

NOTE: The minimum distance between the outdoor unit and walls described in the installation guide does not apply to airtight rooms. Be sure to keep the unit unobstructed in at least two of the three directions (M, N, P) (See Fig. 4.10)

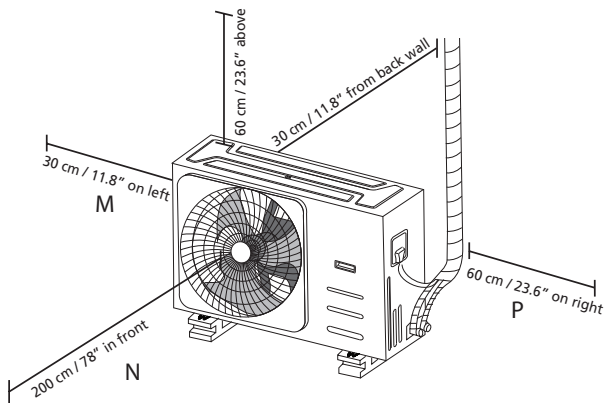


Fig. 4.10

Rows of series installation

Table 4.3 The relations between H, A and L are as follows.

	L	A
L ≤ H	L ≤ 1/2H	25 cm / 9.8" or more
	1/2H < L ≤ H	30 cm / 11.8" or more
L > H	Can not be installed	

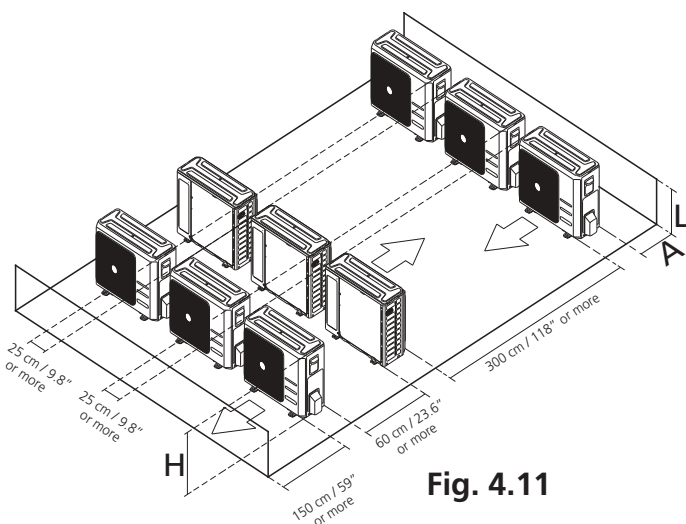


Fig. 4.11

Drain Joint Installation

If the drain joint comes with a rubber seal (see Fig. 4.12 - A), do the following:

1. Fit the rubber seal on the end of the drain joint that will connect to the outdoor unit.

2. Insert the drain joint into the hole in the base pan of the unit.
3. Rotate the drain joint 90° until it clicks in place facing the front of the unit.
4. Connect a drain hose extension (not included) to the drain joint to redirect water from the unit during heating mode.

If the drain joint doesn't come with a rubber seal (see Fig. 4.12 - B), do the following:

Insert the drain joint into the hole in the base pan of the unit. The drain joint will click in place.

Connect a drain hose extension (not included) to the drain joint to redirect water from the unit during heating mode.

NOTE: Make sure the water drains to a safe location where it will not cause water damage or a slipping hazard.

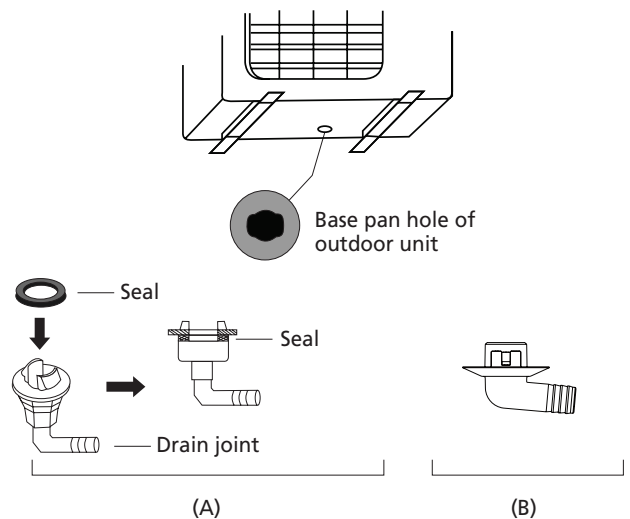


Fig. 4.12

Notes On Drilling Hole In Wall

You must drill a hole in the wall for the refrigerant piping, and the signal cable that will connect the indoor and outdoor units.

1. Determine the location of the wall hole based on the location of the outdoor unit.
2. Using a 65-mm (2.5") core drill, drill a hole in the wall.

NOTE: When drilling the wall hole, make sure to avoid wires, plumbing, and other sensitive components.

3. Place the protective wall cuff in the hole. This protects the edges of the hole and will help seal it when you finish the installation process.

Drainpipe Installation

5

The drainpipe is used to drain water from the unit. Improper installation may cause unit and property damage.

CAUTION

- Insulate all piping to prevent condensation, which could lead to water damage.
- If the drainpipe is bent or installed incorrectly, water may leak and cause a malfunction of the water-level switch.
- In HEAT mode, the outdoor unit will discharge water. Ensure that the drain hose is placed in an appropriate area to avoid water damage and slippage due to frozen drain water.
- **DO NOT** pull the drainpipe forcefully as this could cause it to disconnect.

NOTE ON PURCHASING PIPES

This installation requires a polyethylene tube (outside diameter = 2.5cm), which can be obtained at your local hardware store or from your dealer.

Indoor Drainpipe Installation

Install the drainpipe as shown in Fig 5.2.

1. Cover the drainpipe with heat insulation to prevent condensation and leakage.
2. Attach the mouth of the drain hose to the unit's outlet pipe. Sheath the mouth of the hose and clip it firmly with a pipe clasp. (Fig 5.1)

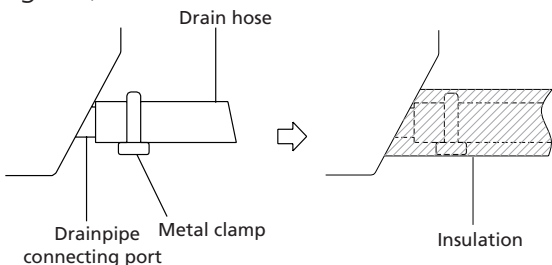


Fig. 5.1

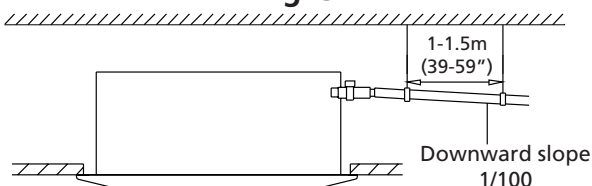
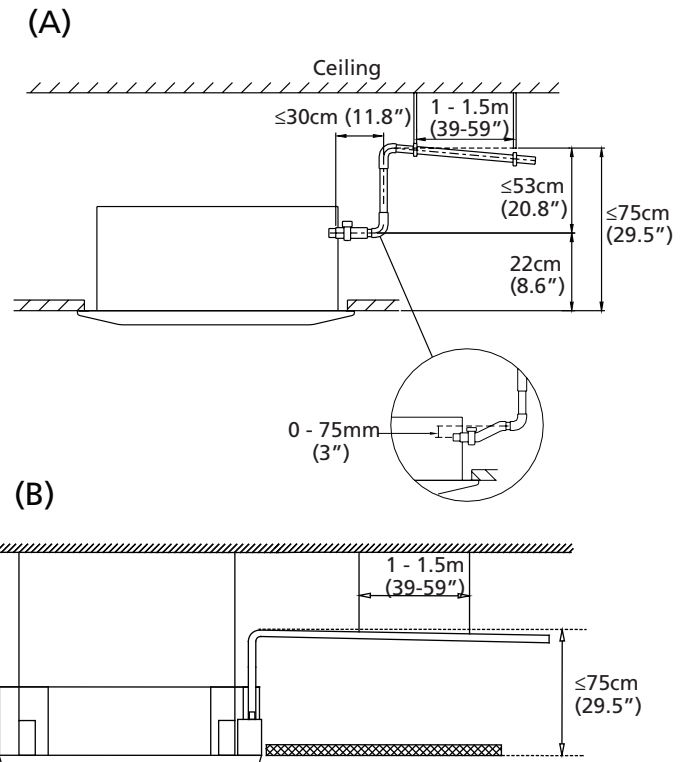


Fig. 5.2



NOTE ON DRAINPIPE INSTALLATION

- When using an extended drainpipe, tighten the indoor connection with an additional protection tube to prevent it from pulling loose.
- The drainpipe should slope downward at a gradient of at least 1/100 to prevent water from flowing back into the air conditioner.
- To prevent the pipe from sagging, space hanging wires every 1-1.5m (40-59").
- If the outlet of the drainpipe is higher than the body's pump joint, provide a lift pipe for the exhaust outlet of the indoor unit. The lift pipe must be installed no higher than 75cm (29.5") from the ceiling board and the distance between the unit and the lift pipe must be less than 30cm (11.8"). Incorrect installation could cause water to flow back into the unit and flood.
- To prevent air bubbles, keep the drain hose level or slightly tilted up (<75mm / 3").

NOTE: When connecting multiple drainpipes, install the pipes as shown in Fig 5.4.

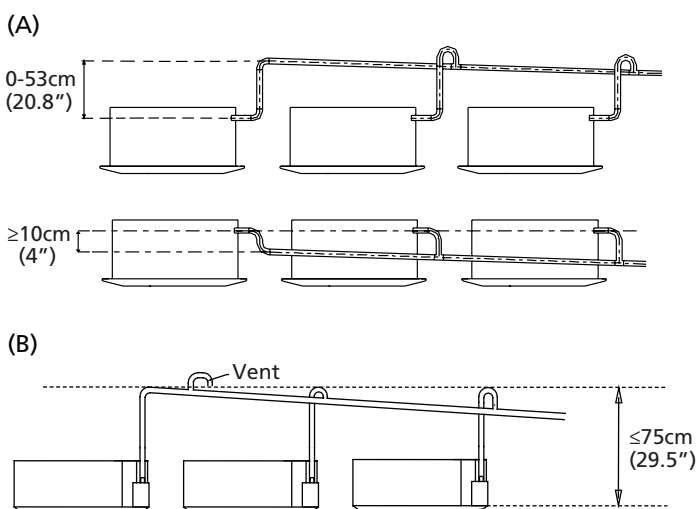


Fig. 5.4

3. Using a 65mm (2.56") or 90mm(3.54") core drill, drill a hole in the wall. Make sure that the hole is drilled at a slight downward angle, so that the outdoor end of the hole is lower than the indoor end by about 12mm (0.5"). This will ensure proper water drainage (See Fig. 5.5). Place the protective wall cuff in the hole. This protects the edges of the hole and will help seal it when you finish the installation process.

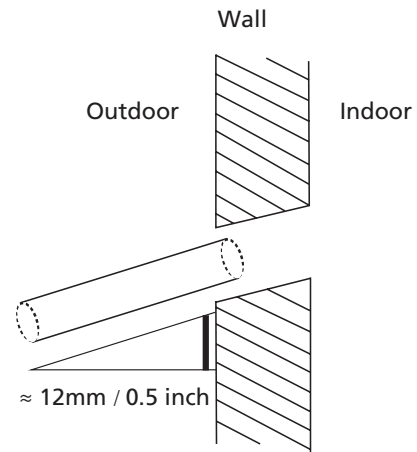


Fig. 5.5

NOTE: When drilling the wall hole, make sure to avoid wires, plumbing, and other sensitive components.

4. Pass the drain hose through the wall hole. Make sure the water drains to a safe location where it will not cause water damage or a slipping hazard.

NOTE: The drainpipe outlet should be at least 5cm (1.9") above the ground. If it touches the ground, the unit may become blocked and malfunction. If you discharge the water directly into a sewer, make sure that the drain has a U or S pipe to catch odors that might otherwise come back into the house.

Refrigerant Piping Connection

6

Safety Precautions

⚠️ WARNING

- All field piping must be completed by a licensed technician and must comply with the local and national regulations.
- When the air conditioner is installed in a small room, measures must be taken to prevent the refrigerant concentration in the room from exceeding the safety limit in the event of refrigerant leakage. If the refrigerant leaks and its concentration exceeds its proper limit, hazards due to lack of oxygen may result.
- When installing the refrigeration system, ensure that air, dust, moisture or foreign substances do not enter the refrigerant circuit. Contamination in the system may cause poor operating capacity, high pressure in the refrigeration cycle, explosion or injury.
- Ventilate the area immediately if there is refrigerant leakage during the installation. Leaked refrigerant gas is both toxic and flammable. Ensure there is no refrigerant leakage after completing the installation work.

Notes On Pipe Length and Elevation

Ensure that the length of the refrigerant pipe, the number of bends, and the drop height between the indoor and outdoor units meets the requirements shown in Table 6.1:

Table 6.1: The Maximum Length And Drop Height Based on Models. (Unit: m/ft.)

Type of model	Capacity (Btu/h)	Length of piping	Maximum drop height
North America, Australia and the eu frequency conversion Split Type	<15K	25/82	10/32.8
	≥15K - <24K	30/98.4	20/65.6
	≥24K - <36K	50/164	25/82
	≥36K - ≤60K	75/246	30/98.4
Other Split Type	12K	15/49	8/26
	18K-24K	25/82	15/49
	30K-36K	30/98.4	20/65.6
	42K-60K	50/164	30/98.4

⚠️ CAUTION

- Oil traps
- If the indoor unit is installed higher than the outdoor unit:
- If oil flows back into the outdoor unit's compressor, this might cause liquid compression or deterioration of oil return. Oil traps in the rising gas piping can prevent this. An oil trap should be installed every 6m (20ft) or 10m (32.8ft) of vertical suction line riser. (See Fig. 6.1)

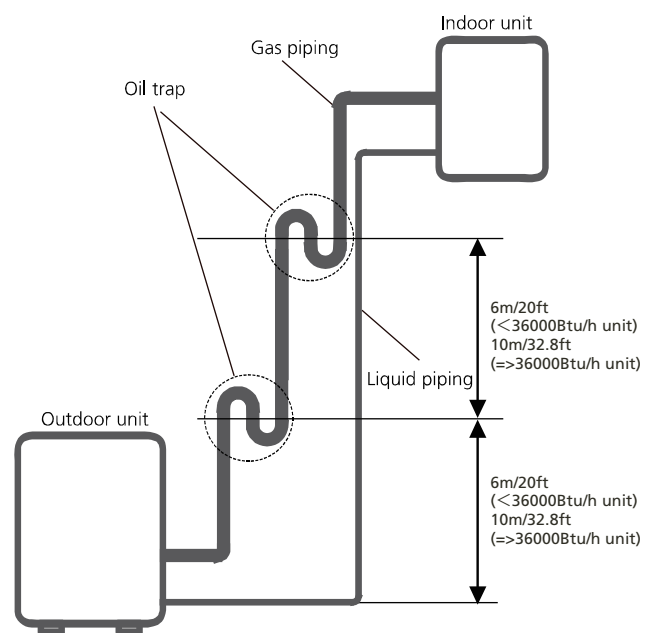


Fig. 6.1

The indoor unit is installed higher than the outdoor unit

⚠ CAUTION

If the outdoor unit is installed higher than the indoor unit:

-It is recommended that vertical suction risers not be upsized. Proper oil return to the compressor should be maintained with suction gas velocity. If velocities drop below 7.62m/s (1500fpm (feet per minute)), oil return will be decreased. An oil trap should be installed every 6m(20ft) or 10m(32.8ft) of vertical suction line riser. (See Fig. 6.2)

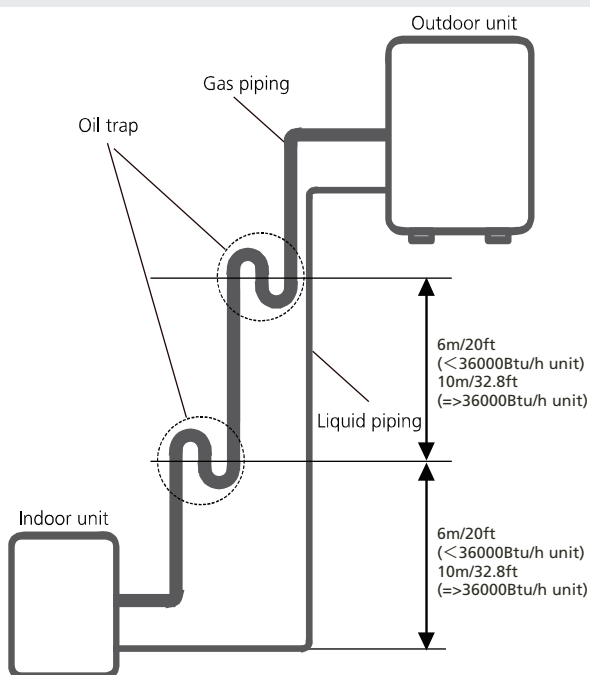


Fig. 6.2

The outdoor unit is installed higher than the indoor unit

Refrigerant Piping Connection Instructions

⚠ CAUTION

- The branching pipe must be installed horizontally. An angle of more than 10° may cause malfunction.
- **DO NOT** install the connecting pipe until both indoor and outdoor units have been installed.
- Insulate both the gas and liquid piping to prevent water leakage.

Step1: Cut pipes

When preparing refrigerant pipes, take extra care to cut and flare them properly. This will ensure efficient operation and minimize the need for future maintenance. **For R32/R290 refrigerant models, the pipe connection points must be placed outside of room. The connection pipes can not be reused.**

1. Measure the distance between the indoor and outdoor units.
2. Using a pipe cutter, cut the pipe a little longer than the measured distance.

⚠ CAUTION

DO NOT deform pipe while cutting. Be extra careful not to damage, dent, or deform the pipe while cutting. This will drastically reduce the heating efficiency of the unit.

3. Make sure that the pipe is cut at a perfect 90° angle. Refer to Fig. 6.3 for examples of bad cuts.

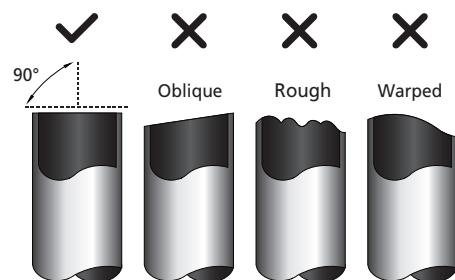


Fig. 6.3

Step 2: Remove burrs.

Burrs can affect the air-tight seal of refrigerant piping connection. They must be completely removed.

1. Hold the pipe at a downward angle to prevent burrs from falling into the pipe.
2. Using a reamer or deburring tool, remove all burrs from the cut section of the pipe.

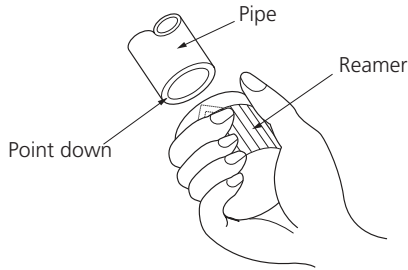


Fig. 6.4

Step 3: Flare pipe ends

Proper flaring is essential to achieve an airtight seal.

1. After removing burrs from cut pipe, seal the ends with PVC tape to prevent foreign materials from entering the pipe.
2. Sheath the pipe with insulating material.
3. Place flare nuts on both ends of pipe. Make sure they are facing in the right direction, because you can't put them on or change their direction after flaring. See Fig. 6.5

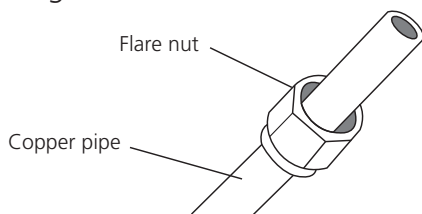


Fig. 6.5

4. Remove PVC tape from ends of pipe when ready to perform flaring work.
5. Clamp flare form on the end of the pipe. The end of the pipe must extend beyond the flare form.

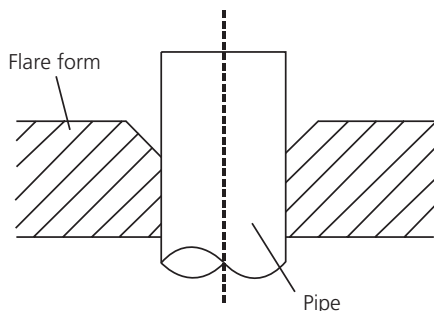


Fig. 6.6

6. Place flaring tool onto the form.
7. Turn the handle of the flaring tool clockwise until the pipe is fully flared. Flare the pipe in accordance with the dimensions shown in table 6.3.

Table 6.3: PIPING EXTENSION BEYOND FLARE FORM

Pipe gauge	Tightening torque	Flare dimension (A) (Unit: mm/Inch)		Flare shape
		Min.	Max.	
Ø 6.35	18-20 N.m (183-204 kgf.cm)	8.4/0.33	8.7/0.34	
Ø 9.52	25-26 N.m (255-265 kgf.cm)	13.2/0.52	13.5/0.53	
Ø 12.7	35-36 N.m (357-367 kgf.cm)	16.2/0.64	16.5/0.65	
Ø 16	45-47 N.m (459-480 kgf.cm)	19.2/0.76	19.7/0.78	
Ø 19	65-67 N.m (663-683 kgf.cm)	23.2/0.91	23.7/0.93	
Ø 22	75-85 N.m (765-867 kgf.cm)	26.4/1.04	26.9/1.06	

8. Remove the flaring tool and flare form, then inspect the end of the pipe for cracks and even flaring.

Step 4: Connect pipes

Connect the copper pipes to the indoor unit first, then connect it to the outdoor unit. You should first connect the low-pressure pipe, then the high-pressure pipe.

1. When connecting the flare nuts, apply a thin coat of refrigeration oil to the flared ends of the pipes.
2. Align the center of the two pipes that you will connect.

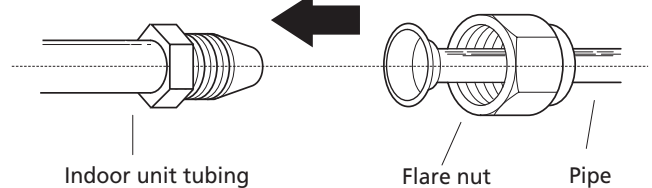


Fig. 6.8

3. Tighten the flare nut as tightly as possible by hand.
4. Using a spanner, grip the nut on the unit tubing.
5. While firmly gripping the nut, use a torque wrench to tighten the flare nut according to the torque values in table 6.3.

NOTE: Use both a spanner and a torque wrench when connecting or disconnecting pipes to/from the unit.

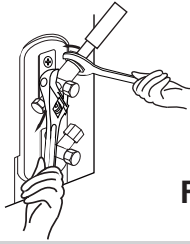


Fig. 6.9

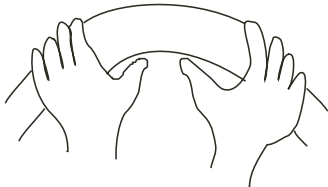
CAUTION

- Ensure to wrap insulation around the piping. Direct contact with the bare piping may result in burns or frostbite.
- Make sure the pipe is properly connected. Over tightening may damage the bell mouth and under tightening may lead to leakage.

NOTE ON MINIMUM BEND RADIUS

Carefully bend the tubing in the middle according to the diagram below. **DO NOT** bend the tubing more than 90° or more than 3 times.

Bend the pipe with thumb



min-radius 10cm (3.9")

Fig. 6.10

6. After connecting the copper pipes to the indoor unit, wrap the power cable, signal cable and the piping together with binding tape.

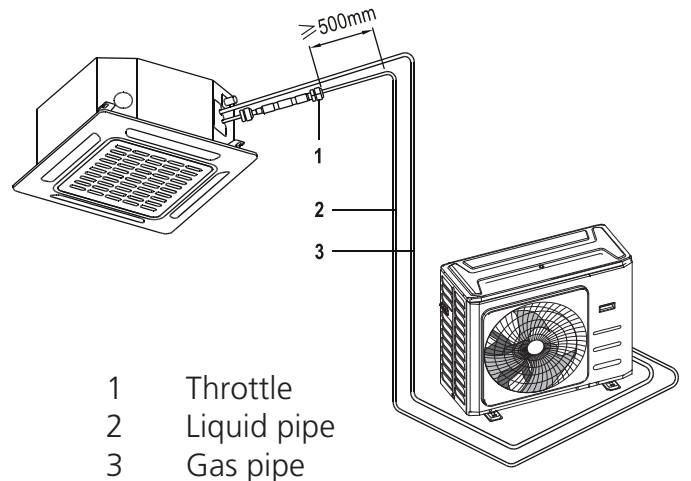
NOTE: DO NOT intertwine signal cable with other wires. While bundling these items together, do not intertwine or cross the signal cable with any other wiring.

7. Thread this pipeline through the wall and connect it to the outdoor unit.
8. Insulate all the piping, including the valves of the outdoor unit.
9. Open the stop valves of the outdoor unit to start the flow of the refrigerant between the indoor and outdoor unit.

CAUTION

Check to make sure there is no refrigerant leak after completing the installation work. If there is a refrigerant leak, ventilate the area immediately and evacuate the system (refer to the Air Evacuation section of this manual).

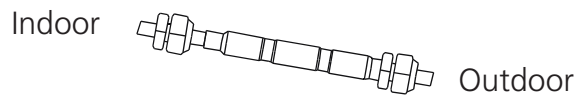
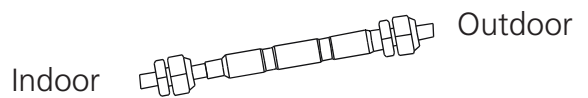
Installation Of The Throttle. (Some Models)



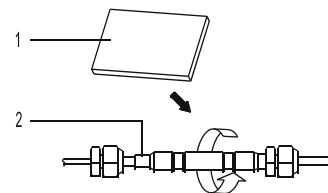
- 1 Throttle
- 2 Liquid pipe
- 3 Gas pipe

Precautions

- For ensuring throttled efficiency, please mount the throttle as horizontally as possible.



- Wrap the supplied anti-shock rubber at external of the throttle for denoise.



- 1 Anti-shock rubber
- 2 Throttle

Safety Precautions

WARNING

- Be sure to disconnect the power supply before working on the unit.
- All electrical wiring must be done according to local and national regulations.
- Electrical wiring must be done by a qualified technician. Improper connections may cause electrical malfunction, injury and fire.
- An independent circuit and single outlet must be used for this unit. **DO NOT** plug another appliance or charger into the same outlet. If the electrical circuit capacity is not enough or there is a defect in the electrical work, it can lead to shock, fire, unit and property damage.
- Connect the power cable to the terminals and fasten it with a clamp. An insecure connection may cause fire.
- Make sure that all wiring is done correctly and the control board cover is properly installed. Failure to do so can cause overheating at the connection points, fire, and electrical shock.
- Ensure that main supply connection is made through a switch that disconnects all poles, with contact gap of a least 3mm (0.118").
- **DO NOT** modify the length of the power cord or use an extension cord.

CAUTION

- Connect the outdoor wires before connecting the indoor wires.
- Make sure you ground the unit. The grounding wire should be away from gas pipes, water pipes, lightning rods, telephone or other grounding wires. Improper grounding may cause electrical shock.
- **DO NOT** connect the unit with the power source until all wiring and piping is completed.
- Make sure that you do not cross your electrical wiring with your signal wiring, as this can cause distortion and interference.

Follow these instructions to prevent distortion when the compressor starts:

- The unit must be connected to the main outlet. Normally, the power supply must have a low output impedance of 32 ohms.
- No other equipment should be connected to the same power circuit.
- The unit's power information can be found on the rating sticker on the product.

TAKE NOTE OF FUSE SPECIFICATIONS

The air conditioner's circuit board(PCB) is designed with a fuse to provide overcurrent protection. The specifications of the fuse are printed on the circuit board, such as:
Indoor unit: T3.15A/250VAC, T5A/250VAC.
(applicable for unit adopts R32 refrigerant)
Outdoor unit: T20A/250VAC.

NOTE: The fuse is made of ceramic.

Outdoor Unit Wiring

WARNING

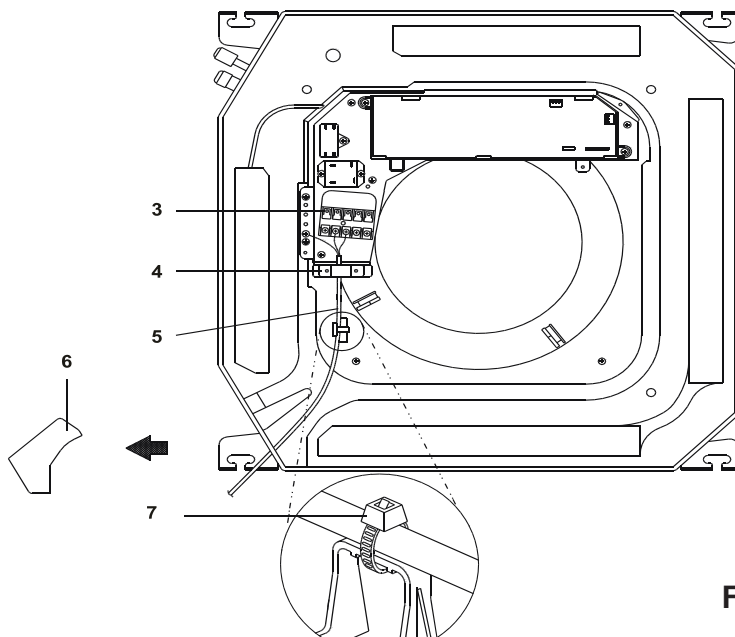
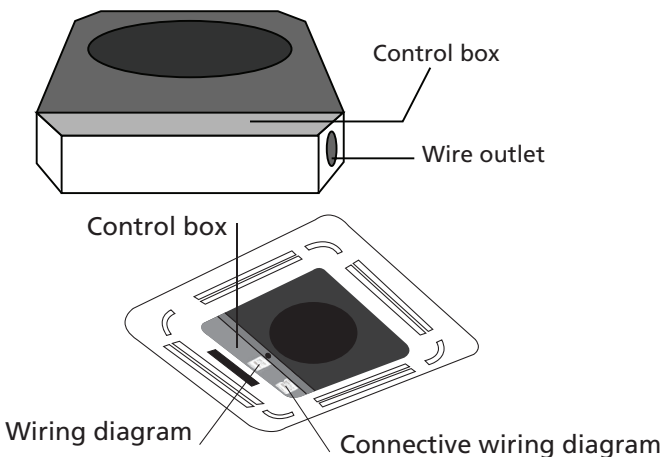
Before performing any electrical or wiring work, turn off the main power to the system.

1. Prepare the cable for connection
 - a. You must first choose the right cable size before preparing it for connection. Be sure to use H07RN-F cables.

Table 7.1: Other Regions

Rated Current of Appliance (A)	Nominal Cross-Sectional Area (mm ²)
> 3 and ≤ 6	0.75
> 6 and ≤ 10	1
> 10 and ≤ 16	1.5
> 16 and ≤ 25	2.5
> 25 and ≤ 32	4
> 32 and ≤ 40	6

Super-Slim models



- b. Using wire strippers, strip the rubber jacket from both ends of signal cable to reveal about 15cm (5.9") of the wires inside.
- c. Strip the insulation from the ends of the wires.
- d. Using a wire crimper, crimp u-lugs on the ends of the wires.

NOTE: While connecting the wires, please strictly follow the wiring diagram (found inside the electrical box cover).

2. Remove the electric cover of the outdoor unit. If there is no cover on the outdoor unit, disassemble the bolts from the maintenance board and remove the protection board. (See Fig. 7.1)

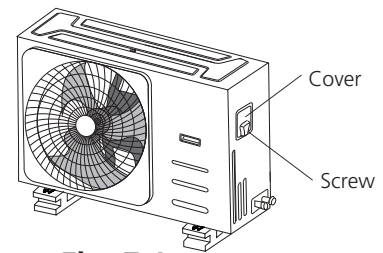


Fig. 7.1

3. Connect the u-lugs to the terminals. Match the wire colors/labels with the labels on the terminal block, and firmly screw the u-lug of each wire to its corresponding terminal.
4. Clamp down the cable with designated cable clamp.
5. Insulate unused wires with electrical tape. Keep them away from any electrical or metal parts.
6. Reinstall the cover of the electric control box.

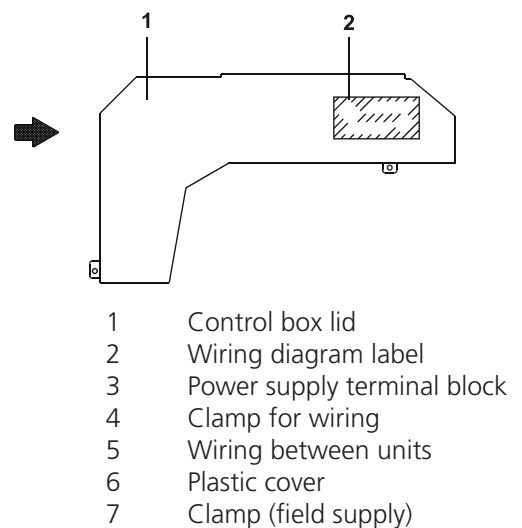


Fig. 7.2

Indoor Unit Wiring

1. Prepare the cable for connection
 - a. Using wire strippers, strip the rubber jacket from both ends of signal cable to reveal about 15cm (5.9") of the wires inside.
 - b. Strip the insulation from the ends of the wires.
 - c. Using wire crimper, crimp the u-lugs to the ends of the wires.
2. Open the front panel of the indoor unit. Using a screwdriver, remove the cover of the electric control box on your indoor unit.
3. Thread the power cable and the signal cable through the wire outlet.
4. Connect the u-lugs to the terminals.
Match the wire colors/labels with the labels on the terminal block, and firmly screw the u-lug of each wire to its corresponding terminal. Refer to the Serial Number and Wiring Diagram located on the cover of the electric control box.

CAUTION

- While connecting the wires, please strictly follow the wiring diagram.
- The refrigerant circuit can become very hot. Keep the interconnection cable away from the copper tube.

Clamp down cable with the designated cable clamp to secure it in place. The cable should not be loose, and should not pull on the u-lugs.
Reinstall the electric box cover and the front panel of the indoor unit.

Indoor Power Supply Specifications

MODEL(Btu/h)		≤18K	19K~24K	25K~36K	37K~50K	60K
POWER	PHASE	1 Phase	1 Phase	1 Phase	1 Phase	1 Phase
	VOLT	208-240V	208-240V	208-240V	208-240V	208-240V
CIRCUIT BREAKER/FUSE(A)		25/20	32/25	50/40	70/55	70/60

MODEL(Btu/h)		≤36K	37K~60K	≤36K	37K~60K
POWER	PHASE	3 Phase	3 Phase	3 Phase	3 Phase
	VOLT	380-420V	380-420V	208-240V	208-240V
CIRCUIT BREAKER/FUSE(A)		25/20	32/25	32/25	45/35

Outdoor Power Supply Specifications

MODEL(Btu/h)		≤18K	19K~24K	25K~36K	37K~50K	50K~60K
POWER	PHASE	1 Phase	1 Phase	1 Phase	1 Phase	3 Phase
	VOLT	208-240V	208-240V	208-240V	208-240V	380-420V
CIRCUIT BREAKER/FUSE(A)		25/20	32/25	50/40	70/55	45/35

MODEL(Btu/h)		≤36K	37K~60K	≤36K	37K~60K
POWER	PHASE	3 Phase	3 Phase	3 Phase	3 Phase
	VOLT	380-420V	380-420V	208-240V	208-240V
CIRCUIT BREAKER/FUSE(A)		25/20	32/25	32/25	45/35

Independent Power Supply Specifications

MODEL(Btu/h)		≤18K	19K~24K	25K~36K	37K~48K	49K~60K
POWER (indoor)	PHASE	1 Phase	1 Phase	1 Phase	1 Phase	1 Phase
	VOLT	208-240V	208-240V	208-240V	208-240V	208-240V
CIRCUIT BREAKER/FUSE(A)		15/10	15/10	15/10	15/10	15/10
POWER (outdoor)	PHASE	1 Phase	1 Phase	1 Phase	1 Phase	1 Phase
	VOLT	208-240V	208-240V	208-240V	208-240V	208-240V
CIRCUIT BREAKER/FUSE(A)		25/20	32/25	50/40	70/55	70/60

MODEL(Btu/h)		≤36K	37K~60K	≤36K	37K~60K
POWER (indoor)	PHASE	1 Phase	1 Phase	1 Phase	1 Phase
	VOLT	208-240V	208-240V	208-240V	208-240V
CIRCUIT BREAKER/FUSE(A)		15/10	15/10	15/10	15/10
POWER (outdoor)	PHASE	3 Phase	3 Phase	3 Phase	3 Phase
	VOLT	380-420V	380-420V	208-240V	208-240V
CIRCUIT BREAKER/FUSE(A)		25/20	32/25	32/25	45/35

Inverter Type A/C Power Specifications

MODEL(Btu/h)		≤18K	19K~24K	25K~36K	37K~48K	49K~60K
POWER (indoor)	PHASE	1 Phase	1 Phase	1 Phase	1 Phase	1 Phase
	VOLT	220-240V	220-240V	220-240V	220-240V	220-240V
CIRCUIT BREAKER/FUSE(A)		15/10	15/10	15/10	15/10	15/10
POWER (outdoor)	PHASE	1 Phase	1 Phase	1 Phase	1 Phase	1 Phase
	VOLT	208-240V	208-240V	208-240V	208-240V	208-240V
CIRCUIT BREAKER/FUSE(A)		25/20	25/20	40/30	50/40	50/40

MODEL(Btu/h)		≤36K	37K~60K	≤36K	37K~60K
POWER (indoor)	PHASE	1 Phase	1 Phase	1 Phase	1 Phase
	VOLT	220-240V	220-240V	220-240V	220-240V
CIRCUIT BREAKER/FUSE(A)		15/10	15/10	15/10	15/10
POWER (outdoor)	PHASE	3 Phase	3 Phase	3 Phase	3 Phase
	VOLT	380-420V	380-420V	208-240V	208-240V
CIRCUIT BREAKER/FUSE(A)		25/20	32/25	32/25	40/30

Safety Precautions

⚠ CAUTION

- Use a vacuum pump with a gauge reading lower than -0.1MPa and an air discharge capacity above 40L/min.
- The outdoor unit does not need vacuuming. **DO NOT** open the outdoor unit's gas and liquid stop valves.
- Ensure that the Compound Meter reads -0.1MPa or below after 2 hours. If after three hours of operation and the gauge reading is still above -0.1MPa, check if there is a gas leak or water inside the pipe. If there is no leakage, perform another evacuation for 1 or 2 hours.
- **DO NOT** use refrigerant gas to evacuate the system.

Evacuation Instructions

Before using manifold gauge and vacuum pump, read their operation manuals to familiarize yourself with how to use them properly.

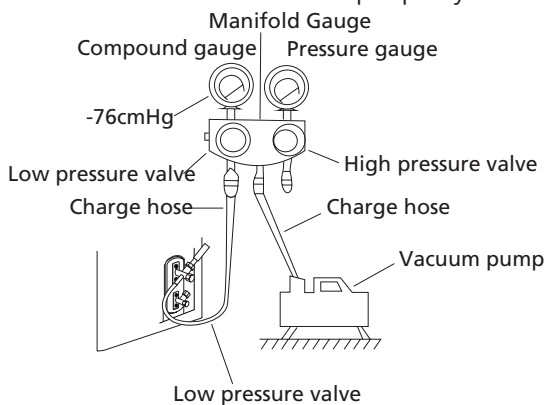


Fig. 8.1

1. Connect the charge hose of the manifold gauge to service port on the outdoor unit's low pressure valve.
2. Connect another charge hose from the manifold gauge to the vacuum pump.
3. Open the Low Pressure side of the manifold gauge. Keep the High Pressure side closed.

4. Turn on the vacuum pump to evacuate the system.
5. Run the vacuum for at least 15 minutes, or until the Compound Meter reads -76cmHG (-1x105Pa).
6. Close the Low Pressure side of the manifold gauge, and turn off the vacuum pump.
7. Wait for 5 minutes, then check that there has been no change in system pressure.

NOTE: If there is no change in system pressure, unscrew the cap from the packed valve (high pressure valve). If there is a change in system pressure, there may be a gas leak.

8. Insert hexagonal wrench into the packed valve (high pressure valve) and open the valve by turning the wrench in a 1/4 counterclockwise turn. Listen for gas to exit the system, then close the valve after 5 seconds.

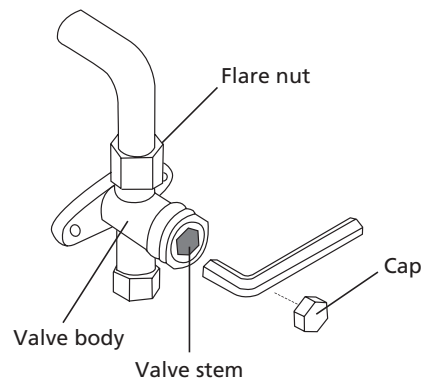


Fig. 8.2

9. Watch the Pressure Gauge for one minute to make sure that there is no change in pressure. The Pressure Gauge should read slightly higher than atmospheric pressure.
10. Remove the charge hose from the service port.
11. Using hexagonal wrench, fully open both the high pressure and low pressure valves.

OPEN VALVE STEMS GENTLY

When opening valve stems, turn the hexagonal wrench until it hits against the stopper.

DO NOT try to force the valve to open further.

12. Tighten valve caps by hand, then tighten it using the proper tool.

Note On Adding Refrigerant

CAUTION

- Refrigerant charging must be performed after wiring, vacuuming and the leak test.
- **DO NOT** exceed the maximum allowable quantity of refrigerant or overcharge the system. Doing so can damage or impact the unit's function.
- Charging with unsuitable substances may cause explosions or accidents. Ensure that the appropriate refrigerant is used.
- Refrigerant containers must be opened slowly. Always use protective gear when charging the system.
- **DO NOT** mix refrigerants types.
- For the R290 or R32 refrigerant model, make sure the conditions within the area have been made safe by control of flammable material when the refrigerant added into air conditioner.

Some systems require additional charging depending on pipe lengths. The standard pipe length varies according to local regulations. For example, in North America, the standard pipe length is 7.5m (25') In other areas, the standard pipe length is 5m (16'). The additional refrigerant to be charged can be calculated using the following formula:

Liquid Side Diameter

	φ6.35(1/4")	φ9.52(3/8")	φ12.7(1/2")
R32 :	(Total pipe length - standard pipe length)x 12g(0.13oz)/m(ft)	(Total pipe length - standard pipe length)x 24g(0.26oz)/m(ft)	(Total pipe length - standard pipe length)x 40g(0.42oz)/m(ft)

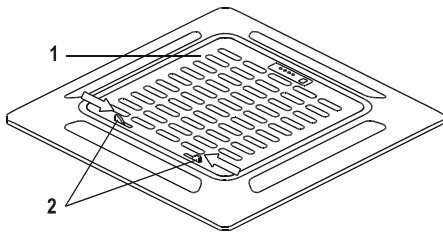
! CAUTION

DO NOT place the panel facedown on the floor, against a wall, or on uneven surfaces.

For Models: V7CRI-12Wi-FiR, V7CRI-18Wi-FiR

Step 1: Remove the front grille.

1. Push both of the tabs towards the middle simultaneously to unlock the hook on the grille.



- 1 Intake grille
- 2 Grille hook

Fig. 9.1

2. Hold the grille at a 45° angle, lift it up slightly and detach it from the main body.

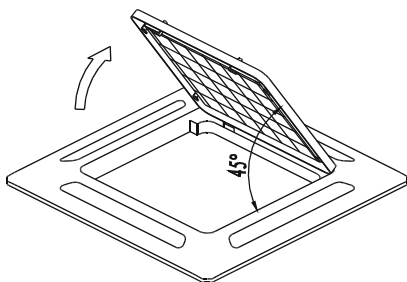
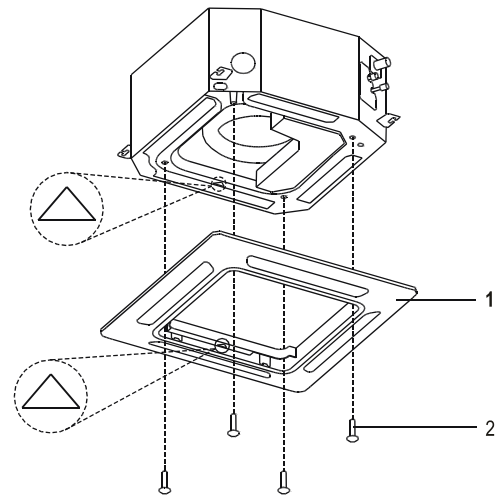


Fig. 9.2

Step 2: Install the panel

Align the indicate "△" on the decoration panel to the indicate "△" on the unit . Attach the decoration panel to the unit with the supplied screws as shown in figure below.



- 1 Decoration panel
- 2 Screws (M5)(supplied with the panel)

Fig. 9.3

After installing the decoration panel, ensure that there is no space between the unit body and decoration panel. Otherwise air may leak through the gap and cause dewdrop. (See figure below)

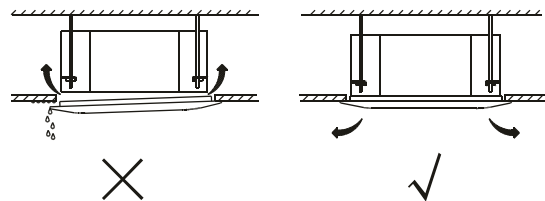


Fig. 9.4

Step 3: Mount the intake grille.

Ensure that the buckles at the back of the grille be properly seated in the groove of the panel.

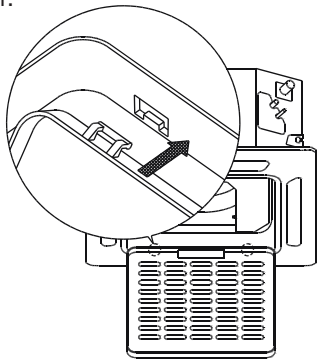


Fig. 9.5

Step 4: Connect the 2 wires of the decoration panel to the mainboard of the unit.

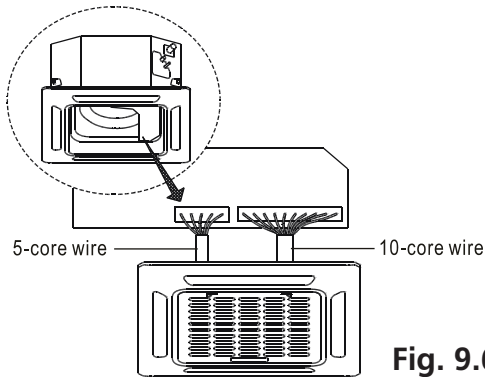


Fig. 9.6

Step 5: Fasten the control box lid with 2 screws .

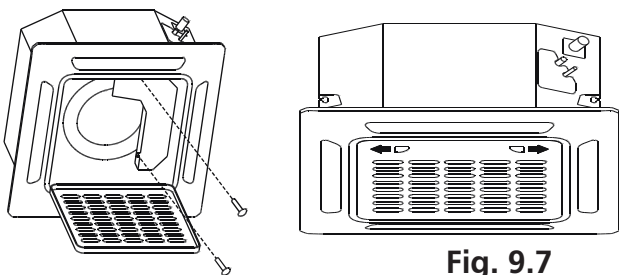


Fig. 9.7

Step 6: Close the intake grille, and close the 2 grille hooks.

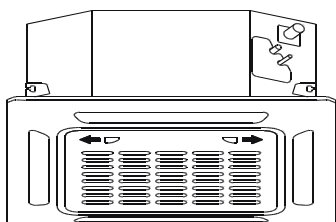
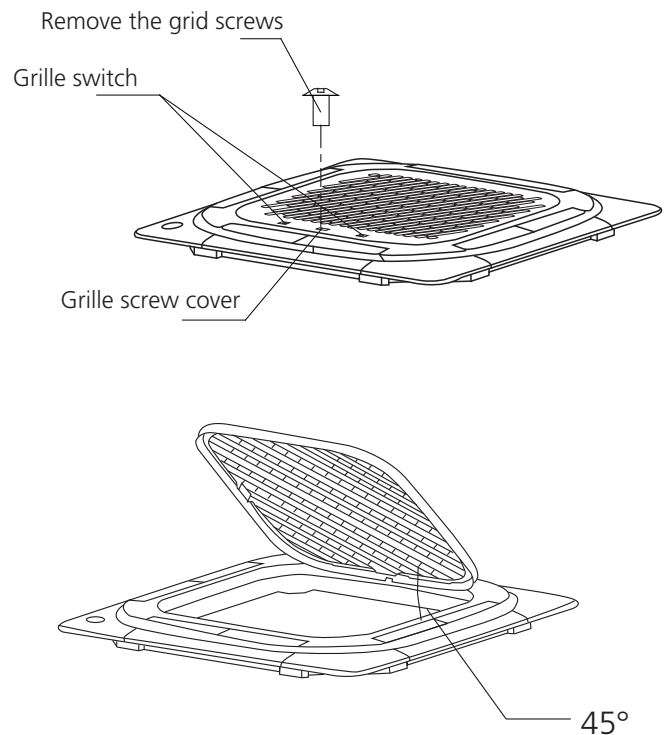


Fig. 9.8

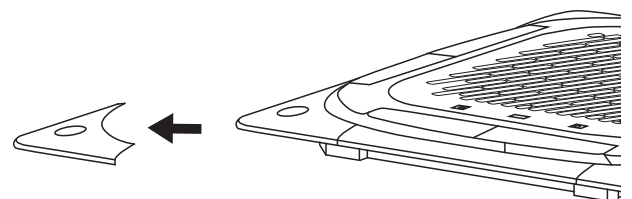
For Models: V7CI-24WiFiR/U7RS-24,
V7CI-36WiFiR/U7RS-36, V7CI-42WiFiR/U7RS-42,
V7CI-50WiFiR/U7RT-50, V7CI-60WiFiR/U7RT-60

Step 1: Remove the front grille.

1. Push both of the tabs towards the middle simultaneously to unlock the hook on the grille.
2. Hold the grille at a 45° angle, lift it up slightly and detach it from the main body.



Step 2: Remove the installation covers at the four corners by sliding them outwards.



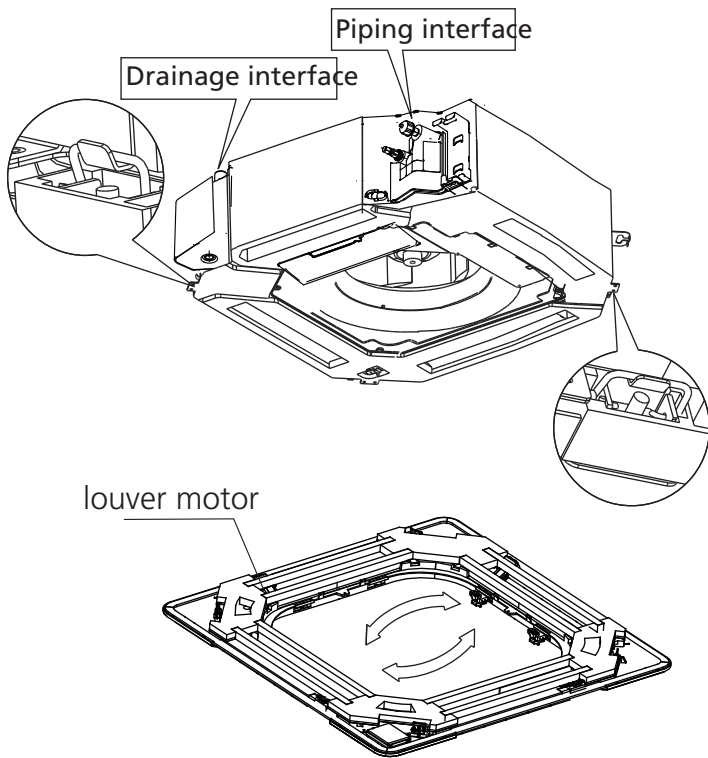
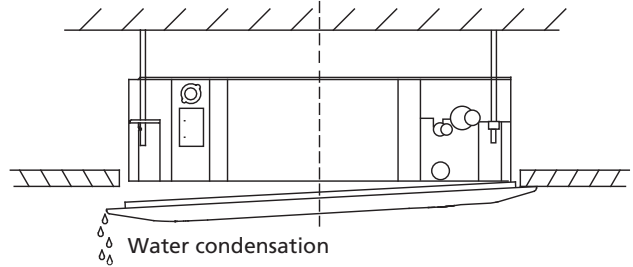
Step 3: Install the panel

Align the front panel to the main body, taking into account the position of the piping and drain sides. Hang the four latches of the decorative panel to the hooks of the indoor unit. Tighten the panel hook screws evenly at the four corners.

NOTE: If the height of the indoor unit needs to be adjusted, you can do so through the openings at the panel's four corners. Make sure that the internal wiring and drainpipe are not affected by this adjustment.

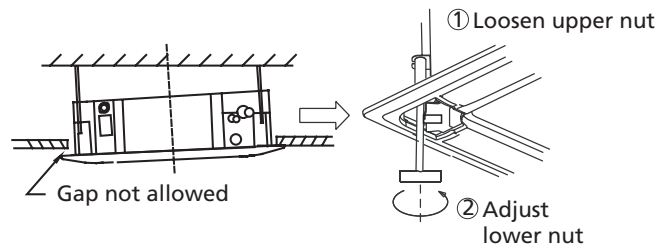
NOTE: Tighten the screws until the thickness of the sponge between the main body and the panel reduces to 4-6mm (0.2-0.3"). The edge of the panel should be in contact with the ceiling well.

Adjust the panel by turning it to the arrowed direction so that the ceiling opening is completely covered.



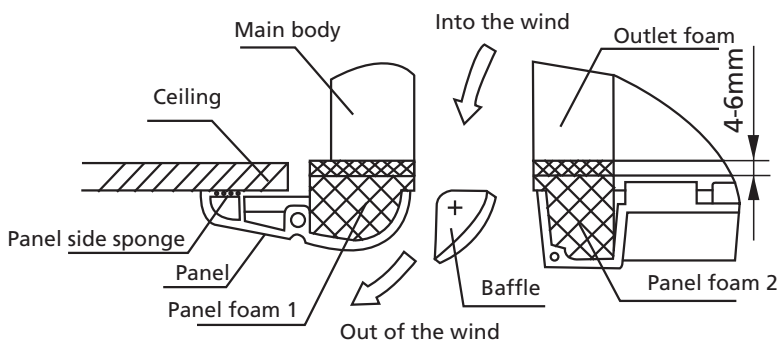
⚠ CAUTION

Failure to tighten screws can cause water leakage.

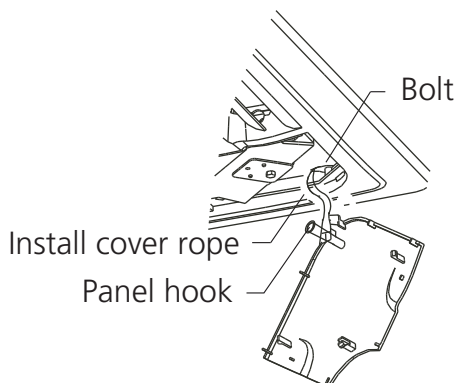


⚠ CAUTION

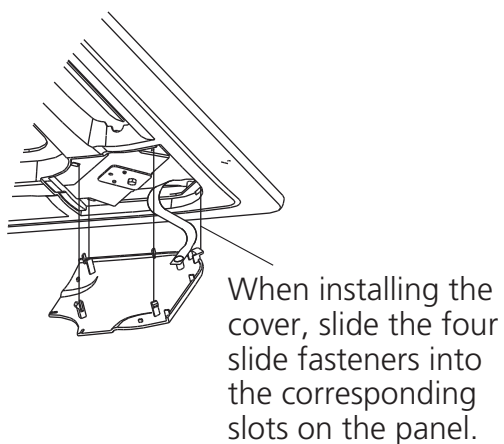
If the unit is not hung correctly and a gap exists, the unit's height must be adjusted to ensure proper function. The unit's height can be adjusted by loosening the upper nut, and adjusting the lower nut.



Hang the intake grille on the panel, and then connect the lead connectors of the louver motor and the control box on the panel to the corresponding connectors of the main body.



Re-installed into the style grid.
Reinstall the installation cover.
Fix the installation cover plate rope to the pillar of the installation cover plate, and gently press the installation cover plate into the panel.



NOTE: After installation, the butt plugs of display, swing, water pump and other wire bodies must be placed in the electric control box.

Before Test Run

A test run must be performed after the entire system has been completely installed. Confirm the following points before performing the test:

- a) The indoor and outdoor units are properly installed.
- b) Piping and wiring are properly connected.
- c) Ensure that there are no obstacles near the inlet and outlet of the unit that might cause poor performance or product malfunction.
- d) The refrigeration system does not leak.
- e) The drainage system is unimpeded and draining to a safe location.
- f) The heating insulation is properly installed.
- g) The grounding wires are properly connected.
- h) The length of the piping and the added refrigerant stow capacity have been recorded.
- i) The power voltage is the correct voltage for the air conditioner.

CAUTION

Failure to perform the test run may result in unit damage, property damage or personal injury.

Test Run Instructions

1. Open both the liquid and gas stop valves.
2. Turn on the main power switch and allow the unit to warm up.
3. Set the air conditioner to COOL mode.
4. For the Indoor Unit
 - a. Ensure the remote control and its buttons work properly.
 - b. Ensure the louvers move properly and can be changed using the remote control.
 - c. Double check to see if the room temperature is being registered correctly.
 - d. Ensure the indicators on the remote control and the display panel on the indoor unit work properly.
 - e. Ensure the manual buttons on the indoor unit works properly.

- f. Check to see that the drainage system is unimpeded and draining smoothly.
 - g. Ensure there is no vibration or abnormal noise during operation.
5. For the Outdoor Unit
 - a. Check to see if the refrigeration system is leaking.
 - b. Make sure there is no vibration or abnormal noise during operation.
 - c. Ensure the wind, noise, and water generated by the unit do not disturb your neighbors or pose a safety hazard.
 6. Drainage Test
 - a. Ensure the drainpipe flows smoothly. New buildings should perform this test before finishing the ceiling.
 - b. Remove the test cover. Add 2,000ml of water to the tank through the attached tube.
 - c. Turn on the main power switch and run the air conditioner in COOL mode.
 - d. Listen to the sound of the drain pump to see if it makes any unusual noises.
 - e. Check to see that the water is discharged. It may take up to one minute before the unit begins to drain depending on the drainpipe.
 - f. Make sure that there are no leaks in any of the piping.
 - g. Stop the air conditioner. Turn off the main power switch and reinstall the test cover.

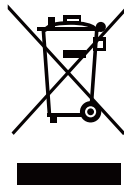
NOTE: If the unit malfunctions or does not operate according to your expectations, please refer to the Troubleshooting section of the Owner's Manual before calling customer service.

Users in European Countries may be required to properly dispose of this unit. This appliance contains refrigerant and other potentially hazardous materials. When disposing of this appliance, the law requires special collection and treatment. **DO NOT** dispose of this product as household waste or unsorted municipal waste.

When disposing of this appliance, you have the following options:

- Dispose of the appliance at designated municipal electronic waste collection facility.
- When buying a new appliance, the retailer will take back the old appliance free of charge.
- The manufacturer will also take back the old appliance free of charge.
- Sell the appliance to certified scrap metal dealers.

NOTE: Disposing of this appliance in the forest or other natural surroundings endangers your health and is bad for the environment. Hazardous substances may leak into the ground water and enter the food chain.



Information Servicing

(Required for the units adopt R32/R290 Refrigerant only)

12

1. Checks to the area

Prior to beginning work on systems containing flammable refrigerants, safety checks are necessary to ensure that the risk of ignition is minimised. For repair to the refrigerating system, the following precautions shall be complied with prior to conducting work on the system.

2. Work procedure

Works shall be undertaken under a controlled procedure so as to minimise the risk of a flammable gas or vapour being present while the work is being performed.

3. General work area

All maintenance staff and others working in the local area shall be instructed on the nature of work being carried out. Work in confined spaces shall be avoided. The area around the work space shall be sectioned off. Ensure that the conditions within the area have been made safe by control of flammable material.

4. Checking for presence of refrigerant

The area shall be checked with an appropriate refrigerant detector prior to and during work, to ensure the technician is aware of potentially flammable atmospheres. Ensure that the leak detection equipment being used is suitable for use with flammable refrigerants, i.e. no sparking, adequately sealed or intrinsically safe.

5. Presence of fire extinguisher

If any hot work is to be conducted on the refrigeration equipment or any associated parts, appropriate fire extinguishing equipment shall be available to hand. Have a dry power or CO₂ fire extinguisher adjacent to the charging area.

6. No ignition sources

No person carrying out work in relation to a refrigeration system which involves exposing any pipe work that contains or has contained flammable refrigerant shall use any sources of ignition in such a manner that it may lead to the risk of fire or explosion. All possible ignition sources, including cigarette smoking, should be kept sufficiently far away from the site of installation, repairing, removing and disposal, during which flammable refrigerant can possibly be released to the surrounding space. Prior to work taking place, the area around the equipment is to be surveyed to make sure that there are no flammable hazards or ignition risks. NO SMOKING signs shall be displayed.

7. Ventilated area

Ensure that the area is in the open or that it is adequately ventilated before breaking into the system or conducting any hot work. A degree of ventilation shall continue during the period that the work is carried out. The ventilation should safely disperse any released refrigerant and preferably expel it externally into the atmosphere.

8. Checks to the refrigeration equipment

Where electrical components are being changed, they shall be fit for the purpose and to the correct specification. At all times the manufacturer's maintenance and service guidelines shall be followed. If in doubt consult the manufacturer's technical department for assistance. The following checks shall be applied to installations using flammable refrigerants:

- the charge size is in accordance with the room size within which the refrigerant containing parts are installed;
- the ventilation machinery and outlets are operating adequately and are not obstructed;
- if an indirect refrigerating circuit is being used, the secondary circuits shall be checked for the presence of refrigerant; marking to the equipment continues to be visible and legible.
- marking and signs that are illegible shall be corrected;
- refrigeration pipe or components are installed in a position where they are unlikely to be exposed to any substance which may corrode refrigerant containing components, unless
- the components are constructed of materials which are inherently resistant to being
- corroded or are suitably protected against being so corroded.

9. Checks to electrical devices

Repair and maintenance to electrical components shall include initial safety checks and component inspection procedures. If a fault exists that could compromise safety, then no electrical supply shall be connected to the circuit until it is satisfactorily dealt with. If the fault cannot be corrected immediately but it is necessary to continue operation, and adequate temporary solution shall be used. This shall be reported to the owner of the equipment so all parties are advised.

Initial safety checks shall include:

- that capacitors are discharged: this shall be done in a safe manner to avoid possibility of sparking
- that there are no live electrical components and wiring are exposed while charging, recovering or purging the system;
- that there is continuity of earth bonding.

10. Repairs to sealed components

10.1 During repairs to sealed components, all electrical supplies shall be disconnected from the equipment being worked upon prior to any removal of sealed covers, etc. If it is absolutely necessary to have an electrical supply to equipment during servicing, then a permanently operating form of leak detection shall be located at the most critical point to warn of a potentially hazardous situation.

10.2 Particular attention shall be paid to the following to ensure that by working on electrical components, the casing is not altered in such a way that the level of protection is affected. This shall include damage to cables, excessive number of connections, terminals not made to original specification, damage to seals, incorrect fitting of glands, etc.

- Ensure that apparatus is mounted securely.
- Ensure that seals or sealing materials have not degraded such that they no longer serve the purpose of preventing the ingress of flammable atmospheres. Replacement parts shall be in accordance with the manufacturer's specifications.

NOTE: The use of silicon sealant may inhibit the effectiveness of some types of leak detection equipment. Intrinsically safe components do not have to be isolated prior to working on them.

11. Repair to intrinsically safe components

Do not apply any permanent inductive or capacitance loads to the circuit without ensuring that this will not exceed the permissible voltage and current permitted for the equipment in use. Intrinsically safe components are the only types that can be worked on while live in the presence of a flammable atmosphere. The test apparatus shall be at the correct rating.

Replace components only with parts specified by the manufacturer. Other parts may result in the ignition of refrigerant in the atmosphere from a leak.

12. Cabling

Check that cabling will not be subject to wear, corrosion, excessive pressure, vibration, sharp edges or any other adverse environmental effects. The check shall also take into account the effects of aging or continual vibration from sources such as compressors or fans.

13. Detection of flammable refrigerants

Under no circumstances shall potential sources of ignition be used in the searching for or detection of refrigerant leaks. A halide torch (or any other detector using a naked flame) shall not be used.

14. Leak detection methods

The following leak detection methods are deemed acceptable for systems containing flammable refrigerants. Electronic leak detectors shall be used to detect flammable refrigerants, but the sensitivity may not be adequate, or may need re-calibration. (Detection equipment shall be calibrated in a refrigerant-free area.) Ensure that the detector is not a potential source of ignition and is suitable for the refrigerant. Leak detection equipment shall be set at a percentage of the LFL of the refrigerant and shall be calibrated to the refrigerant employed and the appropriate percentage of gas (25% maximum) is confirmed. Leak detection fluids are suitable for use with most refrigerants but the use of detergents containing chlorine shall be avoided as the chlorine may react with the refrigerant and corrode the copper pipe-work.

If a leak is suspected, all naked flames shall be removed or extinguished. If a leakage of refrigerant is found which requires brazing, all of the refrigerant shall be recovered from the system, or isolated (by means of shut off valves) in a part of the system remote from the leak. Oxygen free nitrogen (OFN) shall then be purged through the system both before and during the brazing process.

15. Removal and evacuation

When breaking into the refrigerant circuit to make repairs or for any other purpose conventional procedures shall be used, However, it is important that best practice is followed since flammability is a consideration. The following procedure shall be adhered to:

- remove refrigerant;
- purge the circuit with inert gas;
- evacuate;
- purge again with inert gas;
- open the circuit by cutting or brazing.

The refrigerant charge shall be recovered into the correct recovery cylinders. The system shall be flushed with OFN to render the unit safe. This process may need to be repeated several times. Compressed air or oxygen shall not be used for this task.

Flushing shall be achieved by breaking the vacuum in the system with OFN and continuing to fill until the working pressure is achieved, then venting to atmosphere, and finally pulling down to a vacuum. This process shall be repeated until no refrigerant is within the system.

When the final OFN charge is used, the system shall be vented down to atmospheric pressure to enable work to take place. This operation is absolutely vital if brazing operations on the pipe-work are to take place.

Ensure that the outlet for the vacuum pump is not closed to any ignition sources and there is ventilation available.

16. Charging procedures

In addition to conventional charging procedures, the following requirements shall be followed:

- Ensure that contamination of different refrigerants does not occur when using charging equipment. Hoses or lines shall be as short as possible to minimize the amount of refrigerant contained in them.
- Cylinders shall be kept upright.
- Ensure that the refrigeration system is earthed prior to charging the system with refrigerant.
- Label the system when charging is complete(if not already).
- Extreme care shall be taken not to overfill the refrigeration system.
- Prior to recharging the system it shall be pressure tested with OFN. The system shall be leak tested on completion of charging but prior to commissioning. A follow up leak test shall be carried out prior to leaving the site.

17. Decommissioning

Before carrying out this procedure, it is essential that the technician is completely familiar with the equipment and all its detail. It is recommended good practice that all refrigerants are recovered safely. Prior to the task being carried out, an oil and refrigerant sample shall be taken.

In case analysis is required prior to re-use of reclaimed refrigerant. It is essential that electrical power is available before the task is commenced.

- a) Become familiar with the equipment and its operation.
- b) Isolate system electrically
- c) Before attempting the procedure ensure that:
 - mechanical handling equipment is available, if required, for handling refrigerant cylinders;
 - all personal protective equipment is available and being used correctly;
 - the recovery process is supervised at all times by a competent person;
 - recovery equipment and cylinders conform to the appropriate standards.
- d) Pump down refrigerant system, if possible.
- e) If a vacuum is not possible, make a manifold so that refrigerant can be removed from various parts of the system.

- f) Make sure that cylinder is situated on the scales before recovery takes place.
- g) Start the recovery machine and operate in accordance with manufacturer's instructions.
- h) Do not overfill cylinders. (No more than 80% volume liquid charge).
- i) Do not exceed the maximum working pressure of the cylinder, even temporarily.
- j) When the cylinders have been filled correctly and the process completed, make sure that the cylinders and the equipment are removed from site promptly and all isolation valves on the equipment are closed off.
- k) Recovered refrigerant shall not be charged into another refrigeration system unless it has been cleaned and checked.

18. Labelling

Equipment shall be labelled stating that it has been de-commissioned and emptied of refrigerant. The label shall be dated and signed. Ensure that there are labels on the equipment stating the equipment contains flammable refrigerant.

19. Recovery

- When removing refrigerant from a system, either for service or decommissioning, it is recommended good practice that all refrigerants are removed safely.
- When transferring refrigerant into cylinders, ensure that only appropriate refrigerant recovery cylinders are employed. Ensure that the correct numbers of cylinders for holding the total system charge are available. All cylinders to be used are designated for the recovered refrigerant and labelled for that refrigerant (i.e special cylinders for the recovery of refrigerant). Cylinders shall be complete with pressure relief valve and associated shut-off valves in good working order.
- Empty recovery cylinders are evacuated and, if possible, cooled before recovery occurs.
- The recovery equipment shall be in good working order with a set of instructions concerning the equipment that is at hand and shall be suitable for the recovery of flammable refrigerants. In addition, a set of calibrated weighing scales shall be available
- and in good working order.
- Hoses shall be complete with leak-free disconnect couplings and in good condition. Before using the recovery machine, check that it is in satisfactory working order, has been properly maintained and that any associated electrical components are sealed to prevent ignition in the event of a refrigerant release. Consult manufacturer if in doubt.
- The recovered refrigerant shall be returned to the refrigerant supplier in the correct recovery cylinder, and the relevant Waste Transfer Note arranged. Do not mix refrigerants in recovery units and especially not in cylinders.
- If compressors or compressor oils are to be removed, ensure that they have been evacuated to an acceptable level to make certain that flammable refrigerant does not remain within the lubricant. The evacuation process shall be carried out prior to retraining the compressor to the suppliers. Only electric heating to the compressor body shall be employed to accelerate this process. When oil is drained from a system, it shall be carried out safely.

20. Transportation, marking and storage for units

1. Transport of equipment containing flammable refrigerants
Compliance with the transport regulations
2. Marking of equipment using signs
Compliance with local regulations
3. Disposal of equipment using flammable refrigerants
Compliance with national regulations
4. Storage of equipment/appliances
The storage of equipment should be in accordance with the manufacturer's instructions.
5. Storage of packed (unsold) equipment
Storage package protection should be constructed such that mechanical damage to the equipment inside the package will not cause a leak of the refrigerant charge.
The maximum number of pieces of equipment permitted to be stored together will be determined by local regulations.

All the pictures in the manual are for explanatory purposes only. The actual shape of the unit you purchased may be slightly different, but the operations and functions are the same. The company may not be held responsible for any misprinted information. The design and the specifications of the product for reasons, such as product improvement, are subject to change without any prior notice.

Please consult with the manufacturer at +30 211 300 3300 or with the Sales agency for further details. Any future updates to the manual will be uploaded to the service website, and it is advised to always check for the latest version.



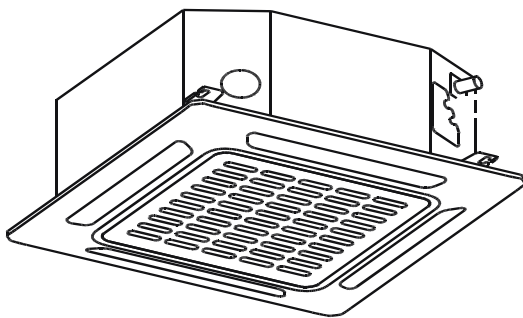
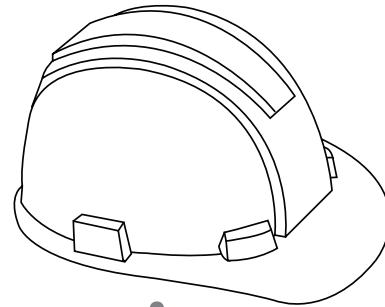
Scan here to download the latest version of this manual.
www.inventorairconditioner.com/media-library

Περιεχόμενα

Εγχειρίδιο Εγκατάστασης

1 Οδηγίες ασφαλείας..... 04

2 Εξαρτήματα 10



3 Εγκατάσταση Εσωτερικής μονάδας 12

Μέρη εσωτερικής μονάδας..... 12

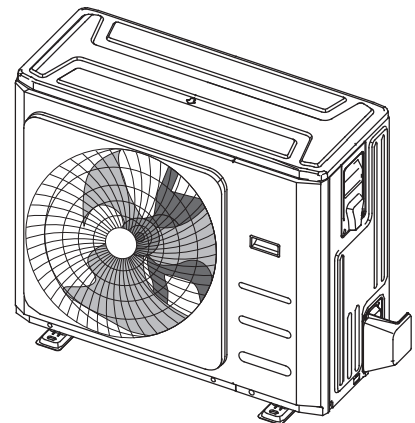
Οδηγίες εγκατάστασης εσωτερικής μονάδας 14

4 Εγκατάσταση Εξωτερικής μονάδας..... 18

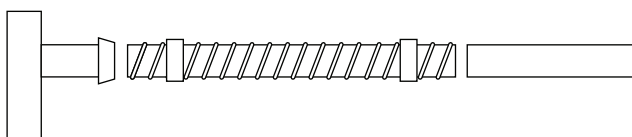
Οδηγίες εγκατάστασης εξωτερικής μονάδας 18

Τύποι και προδιαγραφές εξωτερικών μονάδων 19

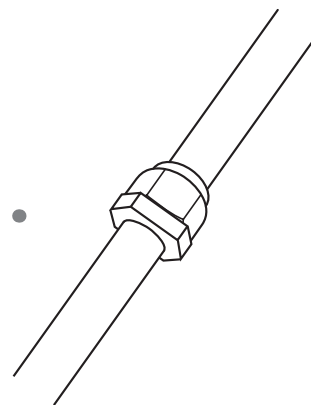
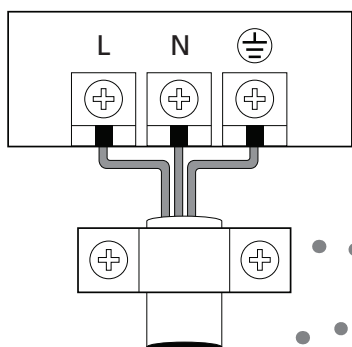
Σημειώσεις για τη διάτρηση σε τοίχους... 20



5 Εγκατάσταση αγωγού αποστράγγισης... 21



- 6** Σύνδεση ψυκτικών σωληνώσεων 23
 Σημειώσεις σχετικά το μήκος και την
 ανύψωση σωλήνα23
 Οδηγίες σύνδεσης σωληνώσεων ψυκτικού
 μέσου24



- 7** Καλωδίωση.....27
 Καλωδίωση εξωτερικής
 μονάδας.....28
 Καλωδίωση εσωτερικής
 μονάδας.....29

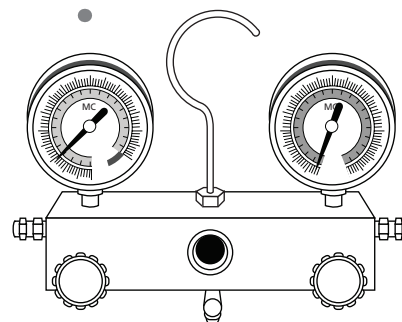
- 8** Εκκένωση του αέρα.....31
 Οδηγίες εκκένωσης31
 Σημείωση για την πλήρωση ψυκτικού μέσου...32

- 9** Εγκατάσταση πίνακα.....33

- 10** Δοκιμαστική λειτουργία37

- 11** Οδηγίες απόρριψης εντός Ευρωπαϊκής
 Ένωσης.....38

- 12** Πληροφορίες επισκευής.....39



Προσοχή:
ΚΙΝΔΥΝΟΣ ΠΥΡΚΑΓΙΑΣ
 (ψυκτικό μέσο R32/R290)

ΠΡΟΕΙΔΟΠΟΙΗΣΗ:

Το σέρβις θα πρέπει να εκτελείται μόνο με τον τρόπο που συνιστάται από τον κατασκευαστή. Οι εργασίες συντήρησης και επισκευής για τις οποίες απαιτείται εξειδικευμένο προσωπικό θα πρέπει να εκτελούνται υπό την επίβλεψη του ατόμου που είναι αρμόδιο για τη χρήση εύφλεκτων ψυκτικών μέσων. Για περισσότερα στοιχεία, ανατρέξτε στις πληροφορίες για το σέρβις στο ΕΓΧΕΙΡΙΔΙΟ ΕΓΚΑΤΑΣΤΑΣΗΣ. (Αυτό απαιτείται μόνο για τις μονάδες στις οποίες χρησιμοποιείται ψυκτικό μέσο R32/R290).

Διαβάστε τις οδηγίες ασφαλείας πριν από την εγκατάσταση.

Η εσφαλμένη εγκατάσταση που οφείλεται σε άγνοια των οδηγιών, μπορεί να προκαλέσει σοβαρή βλάβη ή τραυματισμό.

Η σοβαρότητα πιθανής βλάβης ή τραυματισμού αναφέρεται ως ΠΡΟΕΙΔΟΠΟΙΗΣΗ ή ΠΡΟΣΟΧΗ.



ΠΡΟΕΙΔΟΠΟΙΗΣΗ

Μη συμμόρφωση μπορεί να έχει ως αποτέλεσμα το θάνατο. Η συσκευή θα πρέπει να εγκαθίσταται σύμφωνα με τους εθνικούς κανονισμούς.



ΠΡΟΣΟΧΗ

Μη συμμόρφωση μπορεί να έχει ως αποτέλεσμα τραυματισμό ή βλάβη του εξοπλισμού.



Αυτό το σύμβολο υποδεικνύει ότι δεν πρέπει ποτέ να εκτελέσετε την ενέργεια που υποδεικνύεται.



ΠΡΟΕΙΔΟΠΟΙΗΣΗ

1. Πριν από την εγκατάσταση, διαβάστε προσεκτικά τις οδηγίες ασφαλείας.
2. Σε κάποιες συνθήκες περιβάλλοντος λειτουργίας, όπως κουζίνες, μηχανογραφικό εξοπλισμό (server) κλπ., συνιστάται ιδιαίτερα η χρήση ειδικά σχεδιασμένων κλιματιστικών μονάδων.
3. Μόνο εκπαιδευμένοι και πιστοποιημένοι τεχνικοί μπορούν να τοποθετούν και να επισκευάζουν αυτή την κλιματιστική μονάδα.
4. Τυχόν εσφαλμένη εγκατάσταση μπορεί να οδηγήσει σε ηλεκτροπληξία, βραχυκύκλωμα, διαρροή, πυρκαγιά ή άλλη βλάβη του εξοπλισμού ή άλλες υλικές ζημιές. (Στη Βόρεια Αμερική, η εγκατάσταση πρέπει να πραγματοποιείται σύμφωνα με την απαίτηση της NEC και της CEC μόνο από αδειοδοτημένο τεχνικό).
5. Να τηρείτε αυστηρά τις οδηγίες εγκατάστασης που αναφέρονται στο εγχειρίδιο αυτό.
6. Πριν εγκαταστήσετε τη μονάδα, λάβετε υπόψη τυχόν παρουσία ισχυρού ανέμου, έντονων καιρικών φαινομένων και σεισμών που μπορεί να πλήξουν τη μονάδα σας και επιλέξτε κατάλληλα το σημείο εγκατάστασης. Εάν δεν το κάνετε αυτό ενδέχεται να προκληθούν φθορές στη μονάδα.
7. Αυτή η συσκευή μπορεί να χρησιμοποιείται από παιδιά ηλικίας 8 ετών και άνω και άτομα με μειωμένες φυσικές, αισθητηριακές ή διανοητικές ικανότητες ή έλλειψη εμπειρίας και γνώσης, εάν έχουν λάβει κατάλληλη επίβλεψη ή καθοδήγηση όσον αφορά τη χρήση της συσκευής με ασφάλεια, και κατανοούν τους κινδύνους που ενέχει αυτή η χρήση. Τα παιδιά δεν επιτρέπεται να παίζουν με τη συσκευή. Ο καθαρισμός και η συντήρηση από το χρήστη δεν πρέπει να γίνονται από παιδιά χωρίς επιτήρηση. (Καθορισμένες απαιτήσεις EN).
8. Μην χρησιμοποιείτε μέσα επιτάχυνσης της απόψυξης ή του καθαρισμού, άλλα πέρα από εκείνα που συνιστώνται από τον κατασκευαστή.
9. Αυτή η συσκευή δεν προορίζεται για χρήση από άτομα (συμπεριλαμβανομένων παιδιών) με μειωμένες φυσικές, αισθητηριακές ή διανοητικές ικανότητες ή έλλειψη εμπειρίας και γνώσης, εκτός αν έχουν λάβει κατάλληλη επίβλεψη ή καθοδήγηση όσον αφορά τη χρήση της συσκευής με ασφάλεια, και κατανοούν τους κινδύνους που ενέχει αυτή η χρήση.
10. Τα παιδιά δεν επιτρέπεται να παίζουν με τη συσκευή. (Καθορισμένη απαίτηση IEC).
11. Εάν το καλώδιο τροφοδοσίας έχει υποστεί ζημιά, πρέπει να αντικατασταθεί από τον κατασκευαστή, τον αντιπρόσωπο σέρβις ή εξειδικευμένα πρόσωπα, προκειμένου να αποφευχθεί ο κίνδυνος.



ΠΡΟΕΙΔΟΠΟΙΗΣΗ

12. Η συσκευή πρέπει να εγκατασταθεί σύμφωνα με τους εθνικούς κανονισμούς καλωδίωσης.
13. Η σταθερή καλωδίωση, σύμφωνα και με τους ισχύοντες κανονισμούς εγκαταστάσεων, πρέπει να περιλαμβάνει πολυπολική διάταξη αποσύνδεσης με διάκενα τουλάχιστον 3mm σε όλους τους πόλους και να παρουσιάζει ρεύμα διαρροής που μπορεί να υπερβαίνει τα 10mA, με τη διάταξη υπολειμματικού ρεύματος (RCD) να διαθέτει ονομαστικό υπολειπόμενο ρεύμα λειτουργίας που δεν ξεπερνά τα 30mA.
14. Η αποσύνδεση της συσκευής θα πρέπει να γίνεται σύμφωνα με τους κανονισμούς ηλεκτρολογικών συνδέσεων.
15. Οποιοδήποτε άτομο απασχολείται με το κύκλωμα ψυκτικού μέσου ή επεμβαίνει σε αυτό, θα πρέπει να διαθέτει έγκυρο και σε ισχύ πιστοποιητικό από αρχή πιστοποιημένη από τον κλάδο, η οποία βεβαιώνει την ικανότητα του ατόμου για ασφαλή χειρισμό ψυκτικών μέσων και σύμφωνα με προδιαγραφές αξιολόγησης αναγνωρισμένες από τον κλάδο.
16. Το σέρβις θα πρέπει να πραγματοποιείται μόνο όπως συνιστάται από τον κατασκευαστή του εξοπλισμού.
17. Η συντήρηση και επισκευή, εφόσον απαιτούν τη βοήθεια άλλου εξειδικευμένου προσωπικού, θα πραγματοποιούνται υπό την επίβλεψη του ατόμου που διαθέτει πιστοποίηση στη χρήση εύφλεκτων ψυκτικών μέσων.
18. Η συσκευή πρέπει να αποθηκεύεται έτσι ώστε να αποφεύγεται η εμφάνιση μηχανικών βλαβών.
19. Κρατήστε τα ανοίγματα του εξαερισμού μακριά από εμπόδια.
20. Μην ενεργοποιείτε την τροφοδοσία ρεύματος μέχρι να ολοκληρωθεί η εργασία.
21. Κατά τη μετακίνηση ή τη μετεγκατάσταση του κλιματιστικού, συμβουλευτείτε έμπειρους τεχνικούς σέρβις για αποσύνδεση και επανεγκατάσταση της μονάδας.
22. Σε συγκεκριμένους χώρους λειτουργίας, όπως κουζίνες, δωμάτια μηχανογραφικού εξοπλισμού, κλπ. συνιστάται ιδιαίτερα η χρήση ειδικά σχεδιασμένων κλιματιστικών.
23. Η πρίζα πρέπει να μπορεί να ελέγχεται από οποιοδήποτε σημείο ότι είναι αποσυνδεδεμένη.
24. Εάν αυτό δεν είναι δυνατό, λόγω της κατασκευής της συσκευής ή της εγκατάστασής της, πρέπει να πραγματοποιείται αποσύνδεση με σύστημα ασφάλισης στην απομονωμένη θέση.
25. Για τα βήματα εγκατάστασης της συσκευής, διαβάστε τις πληροφορίες για λεπτομέρειες "εγκατάσταση εσωτερικής μονάδας" και "εγκατάσταση εξωτερικής μονάδας".



ΠΡΟΣΟΧΗ

- ⊗ Για μονάδες που διαθέτουν βοηθητικό ηλεκτρικό θερμαντήρα, μην εγκαταστήσετε τη μονάδα σε απόσταση 1 μέτρου (3 πόδια) από εύφλεκτα υλικά.
 - ⊗ Μην τοποθετείτε τη μονάδα σε θέση που μπορεί να εκτεθεί σε αποβαλλόμενα αέρια. Αν αποβαλλόμενα αέρια συσσωρεύονται γύρω από τη μονάδα, μπορεί να προκαλέσουν φωτιά.
 - ⊗ Μην χρησιμοποιείτε το κλιματιστικό σας σε δωμάτια όπως ένα μπάνιο ή ένα δωμάτιο με ηλεκτρικές συσκευές. Η έκθεση στο νερό μπορεί να προκαλέσει βραχυκύκλωμα των ηλεκτρικών εξαρτημάτων.
1. Το προϊόν πρέπει να είναι καλά γειωμένο κατά τη στιγμή της εγκατάστασης καθώς μπορεί να προκληθεί ηλεκτροπληξία.
 2. Εγκαταστήστε του αγωγούς αποστράγγισης σύμφωνα με τις οδηγίες αυτού του εγχειριδίου. Λανθασμένη αποστράγγιση μπορεί να προκαλέσει διαρροή νερού στο σπίτι και στο χώρο σας.



Προειδοποιήσεις για τη χρήση ψυκτικού μέσου R32 / R290

1. Εγκατάσταση (Χώρος)

- Η εγκατάσταση των σωλήνων πρέπει να περιορίζεται στο ελάχιστο.
- Οι σωλήνες πρέπει να προστατεύονται από φυσικές βλάβες.
- Πρέπει να τηρείται η συμμόρφωση με τους εθνικούς κανονισμούς αερίου.
- Οι μηχανικές συνδέσεις πρέπει να είναι προσιτές για λόγους συντήρησης.
- Σε περιπτώσεις όπου απαιτείται μηχανικός εξαερισμός, τα ανοίγματα εξαερισμού πρέπει να διατηρούνται μακριά από εμπόδια.
- Όταν απορρίπτεται το προϊόν, πρέπει να βασίζεστε στις εθνικές διατάξεις.
- Η συσκευή πρέπει να φυλάσσεται σε καλά αεριζόμενο χώρο όπου αντιστοιχεί με το μέγεθος της λειτουργίας της.
- Στοιχεία στα οποία οι σωλήνες ψυκτικού μέσου πρέπει να συμμορφώνονται με τους εθνικούς κανονισμούς αερίου.

2. Συντήρηση

- Κάθε άτομο που ασχολείται με την εργασία ή τη διάσπαση σε κύκλωμα ψυκτικού μέσου πρέπει να κατέχει ένα τρέχον έγκυρο πιστοποιητικό από μια αναγνωρισμένη από τη βιομηχανία αρχή αξιολόγησης, η οποία εγκρίνει την ικανότητά τους να χειρίζονται ψυκτικά με ασφάλεια σύμφωνα με μια βιομηχανία αναγνωρισμένη προδιαγραφή αξιολόγησης.
- Η συντήρηση πρέπει να εκτελείται μόνο σύμφωνα με τις οδηγίες του κατασκευαστή του εξοπλισμού. Συντήρηση και η επισκευή απαιτεί τη βοήθεια άλλου αδειοδοτημένου τεχνικού υπό την επίβλεψη του προσώπου που είναι αρμόδιο για τη χρήση αποβαλλόμενων αερίων.

3. Μη χρησιμοποιείτε μέσα για να επιταχύνετε τη διαδικασία απόψυξης ή να καθαρίσετε, εκτός από αυτά που συνιστά ο κατασκευαστής.

4. Η συσκευή πρέπει να αποθηκεύεται σε ένα δωμάτιο χωρίς συνεχείς πηγές ανάφλεξης (για παράδειγμα: ανοιχτές εγκαταστάσεις, μια συσκευή αερίου λειτουργίας ή ένας ηλεκτρικός θερμαντήρας που λειτουργεί).

5. Μην τρυπάτε ή καίτε.

6. Να έχετε υπόψη ότι τα ψυκτικά μέσα μπορεί να μην περιέχουν οσμή.

7. Να είστε προσεκτικοί ώστε ξένη ύλη όπως (λάδι, νερό, κ.λπ.) να μην εισέλθει στις σωληνώσεις. Επίσης, όταν αποθηκεύεται τις σωλήνες, σφραγίστε το άνοιγμα της ασφάλειας με μονωτική ταινία κλπ. Για τις εσωτερικές μονάδες, χρησιμοποιήστε R32 ψυκτικό, για την ένωση αρμών μόνο όταν συνδέετε την εσωτερική μονάδα και την εσωτερική μονάδα (όταν συνδέετε εσωτερικά). Η χρήση σωλήνων ή ρακόρ μπορεί να προκαλέσει δυσλειτουργία προϊόντος, διαρρήξεις σωλήνων ή τραυματισμό λόγω υψηλής εσωτερικής πίεσης του ψυκτικού κύκλου που προκαλείται από οποιοδήποτε εισερχόμενο αέρα.

8. Το μηχάνημα πρέπει να εγκαθίσταται, να λειτουργεί και να αποθηκεύεται σε δωμάτιο με επιφάνεια μεγαλύτερη από $X \text{ m}^2$ (ανατρέξτε στην παρακάτω φόρμα). Η συσκευή δεν πρέπει να εγκατασταθεί σε ένα μη αεριζόμενο χώρο εάν ο χώρος αυτός είναι μικρότερος από $X \text{ m}^2$ (βλέπε την ακόλουθη φόρμα).

Η μέγιστη πλήρωση σε ένα δωμάτιο είναι σύμφωνη με τα ακόλουθα:

$$m_{\max} = 2,5 \times (\text{LFL})^{(5/4)} \times h_0 \times (\text{A})^{1/2}$$

ή το απαιτούμενο ελάχιστο εμβαδόν χώρου A_{\min} για την εγκατάσταση μιας μονάδας με ψυκτικό φορτίο $M(\text{kg})$ πρέπει να είναι σύμφωνη με τα ακόλουθα:

$$A_{\min} = (M / (2,5 \times (\text{LFL})^{(5/4)} \times h_0))^2$$

Όπου.

m_{\max} το μέγιστο επιτρεπόμενο φορτίο του χώρου σε kg,

M η ποσότητα ψυκτικού υγρού στη συσκευή σε kg,

A_{\min} η ελάχιστη απαιτούμενη επιφάνεια χώρου σε m^2 ,

A η επιφάνεια του χώρου σε m^2 ,

LFL το κατώτατο όριο ανάφλεξης σε kg/m^3 ,

h_0 το ύψος απελευθέρωσης, η κατακόρυφη απόσταση σε μέτρα από το δάπεδο έως το σημείο απελευθέρωσης κατά την εγκατάσταση της συσκευής,

$h_0 = (h_{\text{inst}} + h_{\text{rel}})$ ή 0,6 m, όποιο από τα δύο είναι μεγαλύτερο

h_{rel} η μετατόπιση απελευθέρωσης σε μέτρα από το κάτω μέρος της συσκευής έως το σημείο απελευθέρωσης,

h_{inst} το εγκατεστημένο ύψος της συσκευής σε μέτρα

Ενεικτικά εγκατεστημένα ύψη εγκατάστασης:

0,0 m για φορητά και επιδαπέδιες εγκαταστάσεις,

1,0 m για τοποθέτηση σε παράθυρο,

1,8m για επιτοίχια τοποθέτηση,

2,2m για τοποθέτηση στην οροφή,

Εάν το ελάχιστο ύψος εγκατάστασης που δίνεται από τον κατασκευαστή είναι υψηλότερο από το ύψος αναφοράς εγκατεστημένου ύψος, τότε επιπλέον τα A_{\min} και m_{\max} για το εγκατεστημένο ύψος αναφοράς πρέπει να δοθούν από τον κατασκευαστή.

Μια συσκευή μπορεί να έχει πολλαπλά ύψη αναφοράς εγκατάστασης.

Στην περίπτωση αυτή, οι υπολογισμοί A_{\min} και m_{\max} πρέπει να παρέχονται για όλα τα ισχύοντα σημεία αναφοράς ύψους εγκατάστασης.

Για συσκευές που εξυπηρετούν ένα ή περισσότερα δωμάτια με σύστημα αεραγωγών, το χαμηλότερο άνοιγμα του αγωγού σε κάθε κλιματιζόμενο χώρο ή οποιοδήποτε άνοιγμα της εσωτερικής μονάδας μεγαλύτερο των 5cm, στη χαμηλότερη θέση ως προς τον χώρο, χρησιμοποιείται για το h_0 .

Ωστόσο, το h_0 δεν πρέπει να είναι μικρότερο από 0,6m.

Το A_{\min} υπολογίζεται σε συνάρτηση με τα ύψη των ανοιγμάτων του αγωγού ως προς τον χώρο και του ψυκτικού υγρού για τους χώρους όπου διαρροή ψυκτικού υγρού μπορεί να ρέει, λαμβάνοντας υπόψη τον τόπο τοποθέτησης της μονάδας. Όλοι οι χώροι πρέπει να έχουν επιφάνεια δαπέδου μεγαλύτερη από A_{\min} .

ΣΗΜΕΙΩΣΗ 1 Ο τύπος δεν μπορεί να χρησιμοποιηθεί για ψυκτικά υγρά ελαφρύτερα από 42 kg/kmol.

ΣΗΜΕΙΩΣΗ 2 Παραδείγματα υπολογισμών σύμφωνα με τον παραπάνω τύπο διαθέσιμα στους πίνακες 1-1 και 1-2.

ΣΗΜΕΙΩΣΗ 3 Για εργοστασιακά πληρωμένες μονάδες, η προπληρωμένη ποσότητα ψυκτικού μέσου που αναγράφεται στο τεμπελάκι στις μονάδες μπορεί να χρησιμοποιηθεί για τον υπολογισμό του Amin.

ΣΗΜΕΙΩΣΗ 4 Για μονάδες που πραγματοποιείται πλήρωση στο πεδίο, ο υπολογισμός του Amin πρέπει να βασιστεί στην πληρωμένη ποσότητα και δεν πρέπει να ξεπερνάει την ορισμένη από τον κατασκευαστή μέγιστη ποσότητα πλήρωσης.

Για την μέγιστη ποσότητα πλήρωσης για έναν χώρο και η ελάχιστη απαιτούμενη επιφάνεια ενός χώρου για εγκατάσταση, ανατρέξτε στα εγχειρίδια χρήσης και εγκατάστασης της μονάδας.

Για πληροφορίες σχετικά με τον τύπο και την ποσότητα του ψυκτικού μέσου, ανατρέξτε στο ταμπελάκι της μονάδας.

Πίνακας 1-1 Μέγιστη πλήρωση ψυκτικού υγρού (kg)

Ψυκτικό μέσο	LFL (kg/m ³)	Ύψος εγκατάστασης H0 (m)	Suprafata (m ²)						
			4	7	10	15	20	30	50
R32	0.306		4	7	10	15	20	30	50
		0.6	0.68	0.90	1.08	1.32	1.53	1.87	2.41
		1.0	1.14	1.51	1.80	2.20	2.54	3.12	4.02
		1.8	2.05	2.71	3.24	3.97	4.58	5.61	7.24
		2.2	2.50	3.31	3.96	4.85	5.60	6.86	8.85
R290	0.038	0.6	0.05	0.07	0.08	0.10	0.11	0.14	0.18
		1.0	0.08	0.11	0.13	0.16	0.19	0.23	0.30
		1.8	0.15	0.20	0.24	0.29	0.34	0.41	0.53
		2.2	0.18	0.24	0.29	0.36	0.41	0.51	0.65






Πίνακας 1-2 Ελάχιστος χώρος (m²)

Ψυκτικό μέσο	LFL (kg/m ³)	Ύψος εγκατάστασης H0 (m)	Πλήρωση σε kg Ελάχιστη επιφάνεια χώρου (m ²)						
			1.224 kg	1.836 kg	2.448 kg	3.672 kg	4.896 kg	6.12 kg	7.956 kg
R32	0.306		1.224 kg	1.836 kg	2.448 kg	3.672 kg	4.896 kg	6.12 kg	7.956 kg
		0.6		29	51	116	206	321	543
		1.0		10	19	42	74	116	196
		1.8		3	6	13	23	36	60
		2.2		2	4	9	15	24	40
R290	0.038		0.152 kg	0.228 kg	0.304 kg	0.456 kg	0.608 kg	0.76 kg	0.988 kg
		0.6		82	146	328	584	912	1541
		1.0		30	53	118	210	328	555
		1.8		9	16	36	65	101	171
		2.2		6	11	24	43	68	115

Σημείωση σχετικά με τα φθοριούχα αέρια

1. Η παρούσα κλιματιστική μονάδα περιέχει φθοριούχα αέρια. Για συγκεκριμένες πληροφορίες σχετικά με τον τύπο και την ποσότητα του αερίου, συμβουλευθείτε την αντίστοιχη ετικέτα που υπάρχει επάνω στη μονάδα ή το "Εγχειρίδιο Χρήσης - Δελτίο Προϊόντος" στη συσκευασία της εξωτερικής μονάδας. (Μόνο προϊόντα της Ευρωπαϊκής Ένωσης).
2. Η εγκατάσταση, το σέρβις, η συντήρηση και η επισκευή αυτής της μονάδας θα πρέπει να πραγματοποιείται από πιστοποιημένο τεχνικό.
3. Η απεγκατάσταση και ανακύκλωση του προϊόντος θα πρέπει να πραγματοποιείται από πιστοποιημένο τεχνικό.
4. Εάν υπάρχει εγκατεστημένο σύστημα εντοπισμού διαρροών, θα πρέπει να ελέγχεται για διαρροές τουλάχιστον ανά 12 μήνες.
5. Όταν γίνεται έλεγχος της μονάδας για διαρροές, συνιστάται ιδιαίτερα να τηρείτε κατάλληλο αρχείο όλων των ελέγχων.


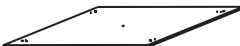

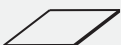


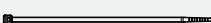

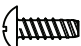


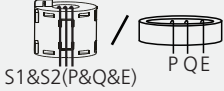


Επεξήγηση των συμβόλων που απεικονίζεται στην εσωτερική μονάδα ή την εξωτερική μονάδα (ισχύει μόνο σε μονάδες που χρησιμοποιούν ψυκτικό μέσο R32/R290):

	ΠΡΟΕΙΔΟΠΟΙΗΣΗ	Αυτό το σύμβολο υποδηλώνει ότι σε αυτή τη συσκευή χρησιμοποιείται εύφλεκτο ψυκτικό μέσο. Εάν διαρρεύσει ψυκτικό μέσο και αφεθεί εκτεθειμένο σε εξωτερική πηγή ανάφλεξης, υπάρχει κίνδυνος πυρκαγιάς.
	ΠΡΟΣΟΧΗ	Αυτό το σύμβολο υποδηλώνει ότι θα πρέπει να διαβάσετε προσεκτικά το εγχειρίδιο χειρισμού.
	ΠΡΟΣΟΧΗ	Αυτό το σύμβολο υποδηλώνει ότι ο χειρισμός του εξοπλισμού θα πρέπει να γίνεται από προσωπικό κατάλληλο για σέρβις και σε συνάρτηση με το εγχειρίδιο εγκατάστασης.
	ΠΡΟΣΟΧΗ	
	ΠΡΟΣΟΧΗ	Αυτό το σύμβολο υποδηλώνει ότι οι πληροφορίες είναι διαθέσιμες σε έντυπα όπως το εγχειρίδιο χρήσης ή το εγχειρίδιο εγκατάστασης.

Εξαρτήματα

2

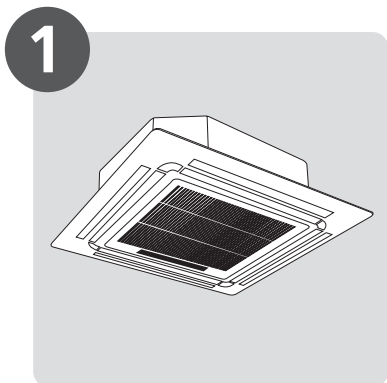
Το κλιματιστικό μηχανήμα διαθέτει τα εξαρτήματα που παρατίθενται παρακάτω. Χρησιμοποιήστε όλα τα μέρη και εξαρτήματα εγκατάστασης για να εγκαταστήσετε το κλιματιστικό. Τυχόν εσφαλμένη εγκατάσταση μπορεί να προκαλέσει διαρροή νερού, ηλεκτροπληξία και πυρκαγιά ή αστοχία του εξοπλισμού.

Tipul de agent frigorific					
Εγχειρίδιο	2		Οδηγός εγκατάστασης	1	
Κάλυμμα σωλήνα εξόδου	1		Αφρώδες υλικό στεγανοποίησης	1	
Κολάρο σωλήνα εξόδου	1		Αγωγός αποστράγγισης	1	
Δετικό	4		Δακτύλιος στεγανοποίησης	1	
Βίδες	4		Παξιμάδι	2	
Μαγνητικός δακτύλιος (στο καλώδιο σύνδεσης μεταξύ της εσωτερικής και της εξωτερικής μονάδας μετά την εγκατάσταση)	Varies by model		Μαγνητικός δακτύλιος (για να περιβάλλει γύρω από το μαγνητικό δακτύλιο δύο φορές)	1	
Επιτοίχια βάση τηλεχειριστηρίου	1		Βίδες	2	

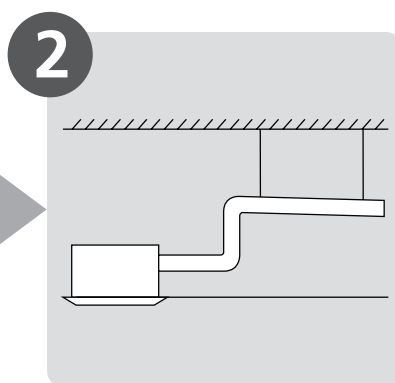
Σημείωση

- Αυτή η εσωτερική μονάδα απαιτεί την εγκατάσταση πλαισίου.

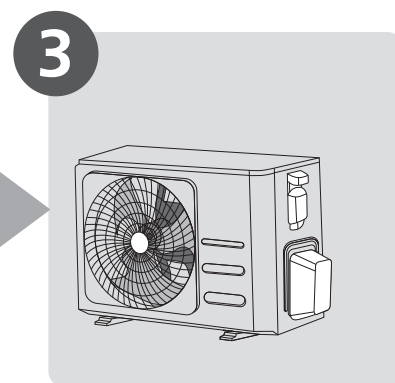
Σύνοψη Εγκατάστασης



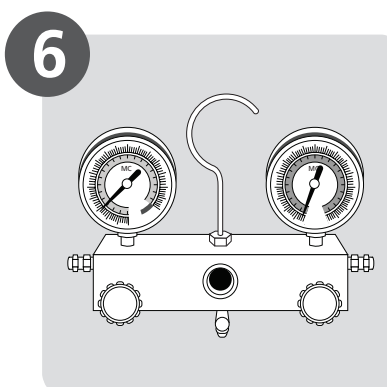
1
Εγκατάσταση εσωτερικής μονάδας



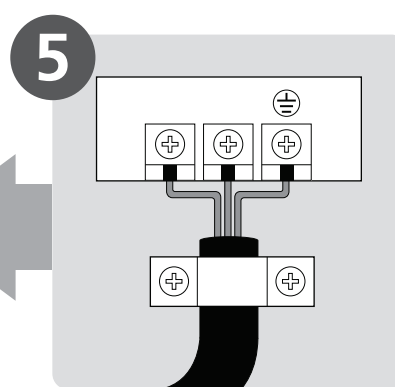
2
Εγκατάσταση αγωγού αποστράγγισης



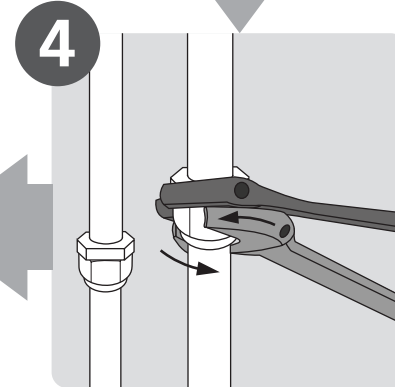
3
Εγκατάσταση εξωτερικής μονάδας



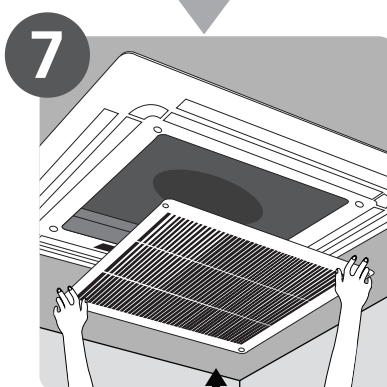
6
Εκκένωση του ψυκτικού συστήματος



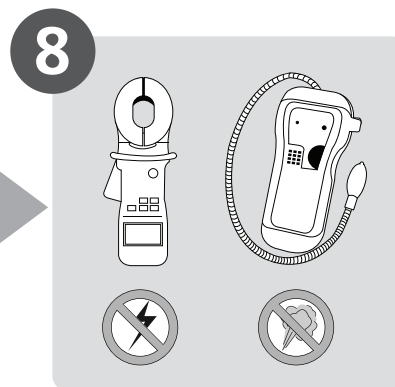
5
Σύνδεση καλωδίωσης



4
Εγκατάσταση ψυκτικών σωληνώσεων



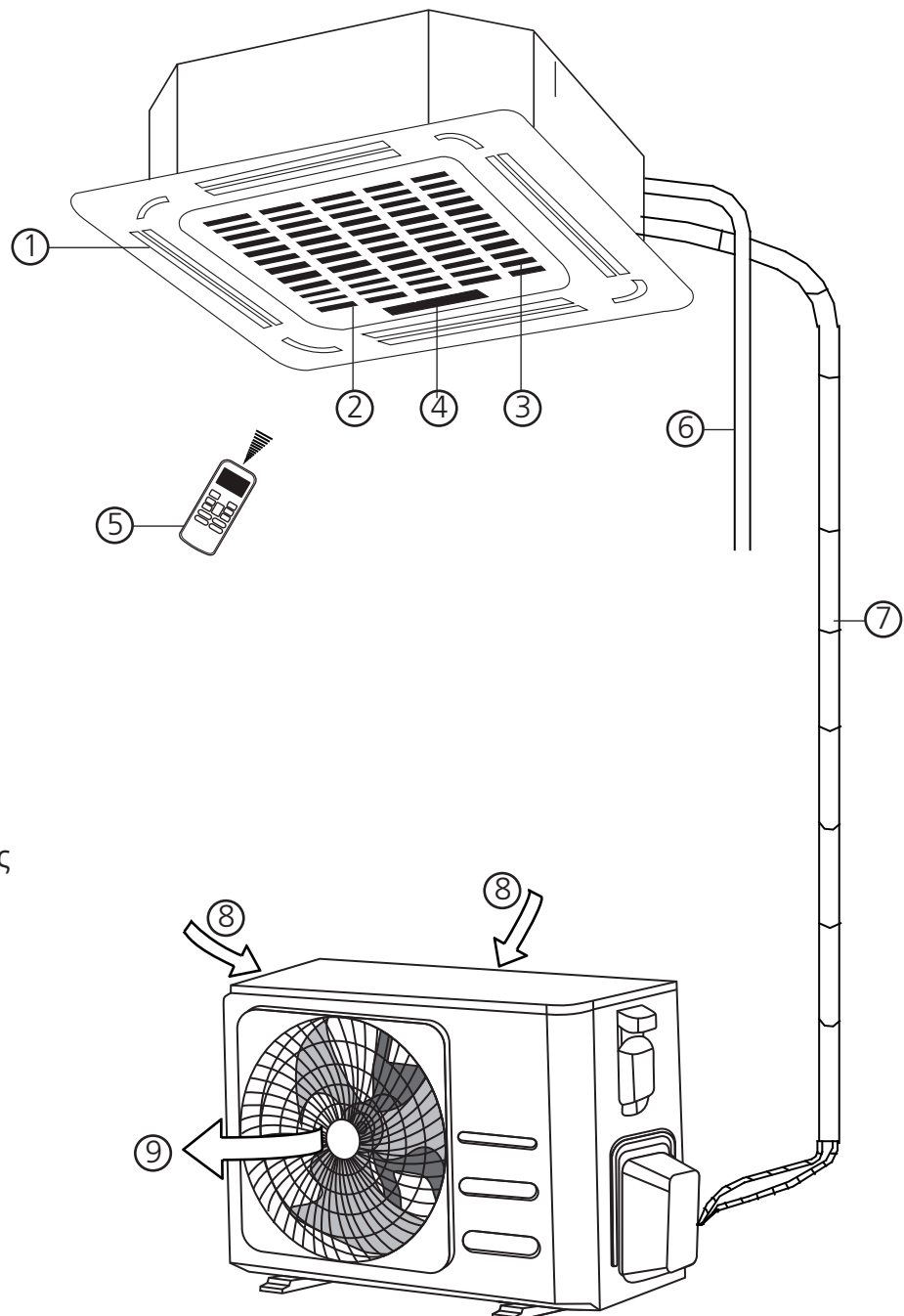
7
Εγκατάσταση της μάσκας



8
Δοκιμαστική λειτουργία

Μέρη εσωτερικής μονάδας

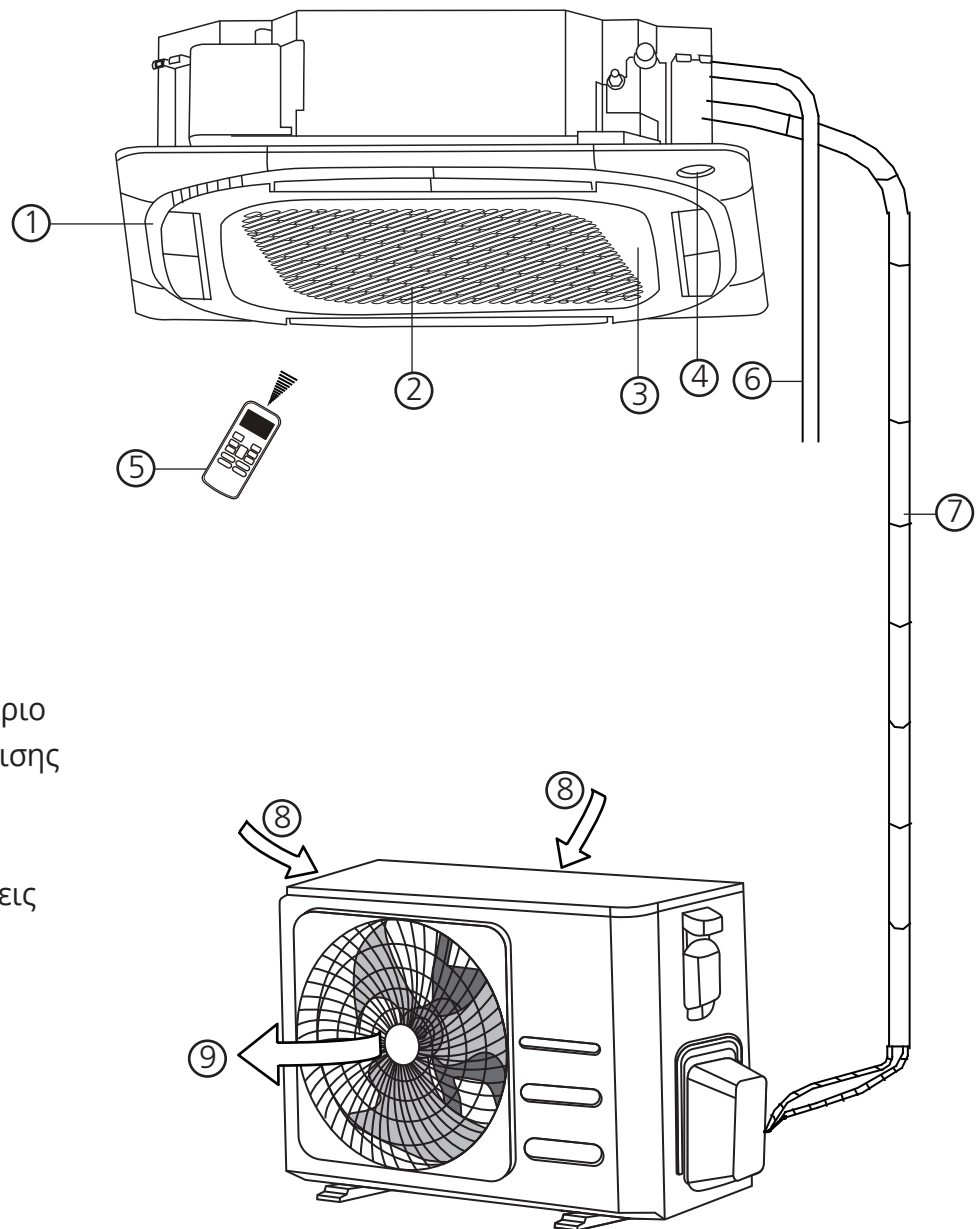
(A)



- ① Έξοδος αέρα
- ② Είσοδος αέρα
- ③ Γρίλια
- ④ Οθόνη ενδείξεων
- ⑤ Ασύρματο χειριστήριο
- ⑥ Αγωγός αποστράγγισης

- ⑦ Ψυκτικές σωληνώσεις
- ⑧ Είσοδος αέρα
- ⑨ Έξοδος αέρα

(B)



- ① Έξοδος αέρα
- ② Είσοδος αέρα
- ③ Γρίλλια
- ④ Οθόνη ενδείξεων
- ⑤ Ασύρματο χειριστήριο
- ⑥ Αγωγός αποστράγγισης

- ⑦ Ψυκτικές σωληνώσεις
- ⑧ Είσοδος αέρα
- ⑨ Έξοδος αέρα

Προφυλάξεις Ασφαλείας

⚠ ΠΡΟΕΙΔΟΠΟΙΗΣΗ

- Εγκαταστήσετε σταθερά την εσωτερική μονάδα σε κατασκευή η οποία να μπορεί να αντέξει το βάρος της. Εάν η κατασκευή αυτή δεν είναι στιβαρή, η μονάδα ενδέχεται να πέσει και να προκληθεί τραυματισμός, βλάβη στη μονάδα ή άλλες υλικές ζημιές ή θάνατος.
- Εγκαταστήστε την εσωτερική μονάδα σε ύψος όχι παραπάνω από 2,5m (8') επάνω από το δάπεδο. **ΜΗΝ** τοποθετείτε την εσωτερική μονάδα σε μπάνιο ή πλυσταριό επειδή η υπερβολική υγρασία αυτών των χώρων μπορεί να προκαλέσει βραχυκύκλωμα της μονάδας και διάβρωση των καλωδίων.

⚠ ΠΡΟΣΟΧΗ

- Εγκαταστήστε την εσωτερική / εξωτερική μονάδα, τα καλώδια και τους αγωγούς τους σε απόσταση τουλάχιστον 1m (3.2') από συσκευές τηλεόρασης ή ραδιοφώνου για να μην γίνονται παράσιτα ή παραμόρφωση της εικόνας. Ανάλογα με τις συσκευές, η απόσταση του 1m (3.2') ενδέχεται να μην είναι επαρκής.
- Αν η εσωτερική μονάδα έχει εγκατασταθεί σε ένα μεταλλικό μέρος του κτιρίου, πρέπει να είναι καλά γειωμένο..

Οδηγίες εγκατάστασης εσωτ. μονάδας

ΣΗΜΕΙΩΣΗ: Η εγκατάσταση του πάνελ πρέπει να γίνεται μετά τις συνδέσεις σωλήνων και την καλωδίωση.

Βήμα 1: Επιλέξτε τη θέση εγκατάστασης

Η εσωτερική μονάδα θα πρέπει να εγκατασταθεί σε θέση που να καλύπτει τις παρακάτω προϋποθέσεις:

- ✓ Η μονάδα είναι τουλάχιστον 1m (39") από το πλησιέστερο τοίχωμα.
- ✓ Υπάρχει αρκετός χώρος για εγκατάσταση και συντήρηση.
- ✓ Υπάρχει αρκετός χώρος για τη σύνδεση των σωληνώσεων και του αγωγού αποχέτευσης.
- ✓ Η οροφή είναι οριζόντια και η δομή της μπορεί να δέχεται το βάρος της εσωτερικής μονάδας.
- ✓ Η εισαγωγή και η εξαγωγή του αέρα δεν εμποδίζονται.
- ✓ Η ροή αέρα μπορεί να διοχετευθεί σε ολόκληρο το δωμάτιο.
- ✓ Δεν υπάρχει απευθείας ακτινοβολία από θερμαντικά σώματα.

ΠΡΟΣΟΧΗ

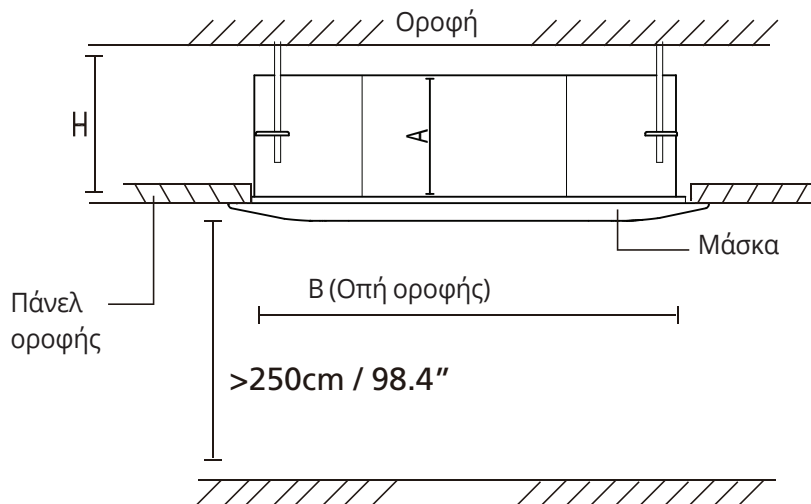
ΜΗΝ εγκαθιστάτε τη μονάδα στις θέσεις που αναφέρονται παρακάτω:

- ⊗ Περιοχές όπου πραγματοποιείται εξόρυξη πετρελαίου ή φυσικού αερίου.
- ⊗ Παράκτιες περιοχές με υψηλή περιεκτικότητα αλατιού στην ατμόσφαιρα.
- ⊗ Θέσεις όπου ο αέρας περιέχει καυστικά αέρια όπως π.χ. κοντά σε ιαματικές πηγές.
- ⊗ Περιοχές όπου εμφανίζονται διακυμάνσεις του ρεύματος, όπως εργοστάσια.
- ⊗ Κλειστοί χώροι όπως ερμάρια.
- ⊗ Κουζίνες όπου χρησιμοποιείται φυσικό αέριο.
- ⊗ Περιοχές όπου υπάρχουν ισχυρά ηλεκτρομαγνητικά κύματα.
- ⊗ Περιοχές όπου φυλάσσονται εύφλεκτα υλικά ή αέριο.
- ⊗ Δωμάτια με υψηλή υγρασία π.χ. μπάνιο ή πλυσταριό.

ΣΥΝΙΣΤΩΜΕΝΕΣ ΑΠΟΣΤΑΣΕΙΣ ΜΕΤΑΞΥ ΤΗΣ ΕΣΩΤΕΡΙΚΗΣ ΜΟΝΑΔΑΣ ΚΑΙ ΤΗΣ ΟΡΟΦΗΣ

Η απόσταση μεταξύ της τοποθετημένης εσωτερικής μονάδας και της ψευδοροφής θα πρέπει να καλύπτει τις παρακάτω προδιαγραφές: (Βλέπε Εικ. 3.2)

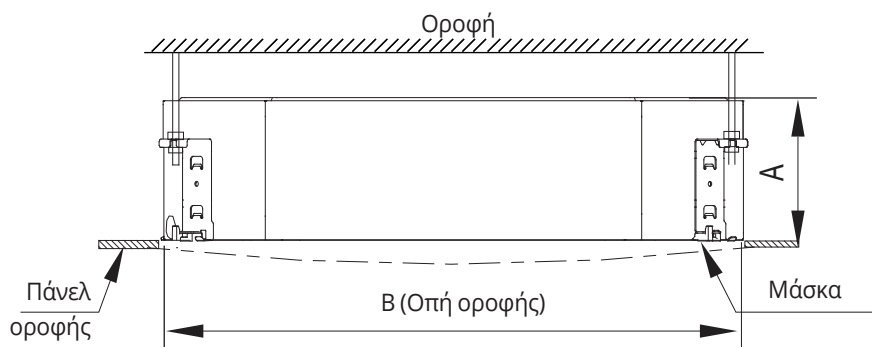
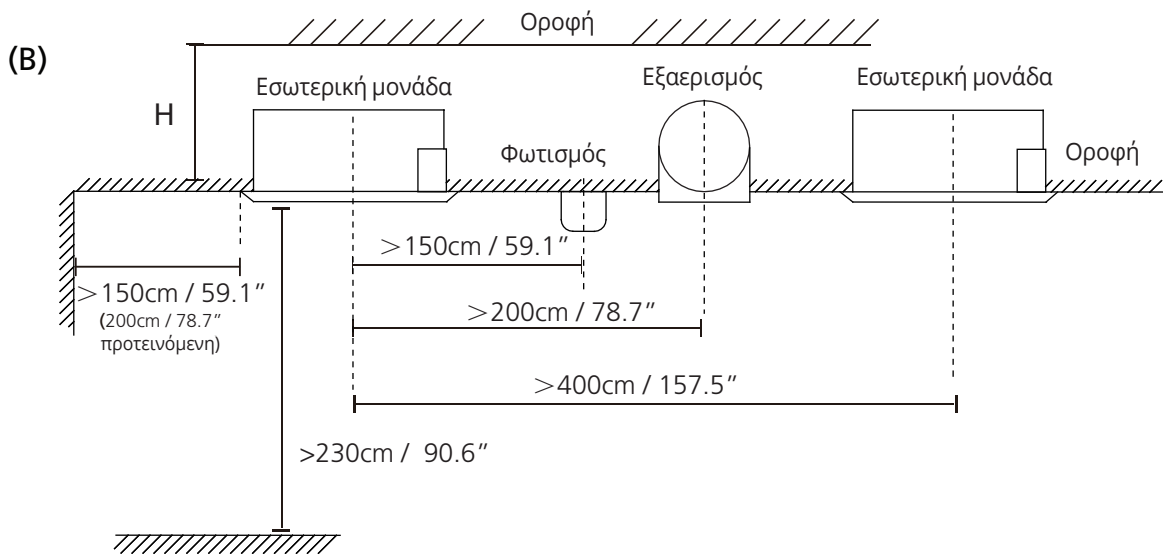
(A)



Εικ. 3.2

Απόσταση ψευδοροφής-οροφής σε σχέση με την μονάδα

Τύπος	Μοντέλο	A (mm/inch)	H (mm/inch)	B (mm/inch)
Μοντέλα Super-Slim	24	245/9.6	> 275/10.8	880/34.5
	30	205/8	> 235/9.3	
	30-48	245/9.6	> 275/10.8	
	48-60	287/11.3	> 317/12.5	
Μοντέλα Compact		260/10.2	> 290/11.4	600/23.6

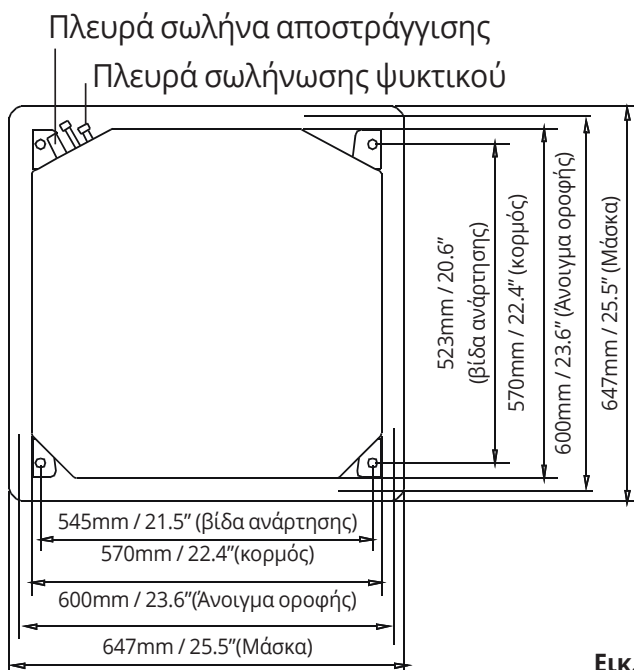


Απόσταση από οροφή ανά μονάδα

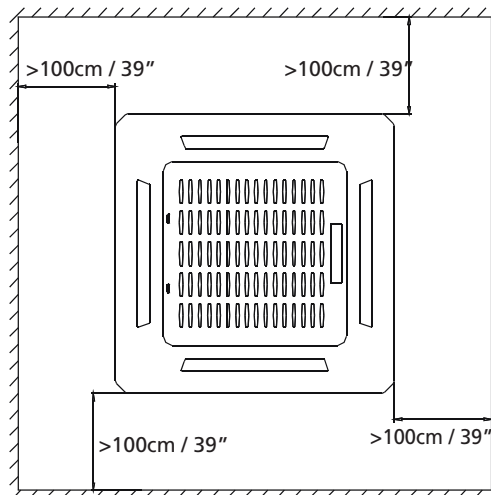
Μοντέλο	A (mm/inch)	H (mm/inch)	B (mm/inch)
18-24	205/8.03	230/9.06	900/35.4
30-42	245/9.65	271/10.7	
42-60	287/11.3	313/12.3	

Βήμα 2: Ανάρτηση εσωτερικής μονάδας

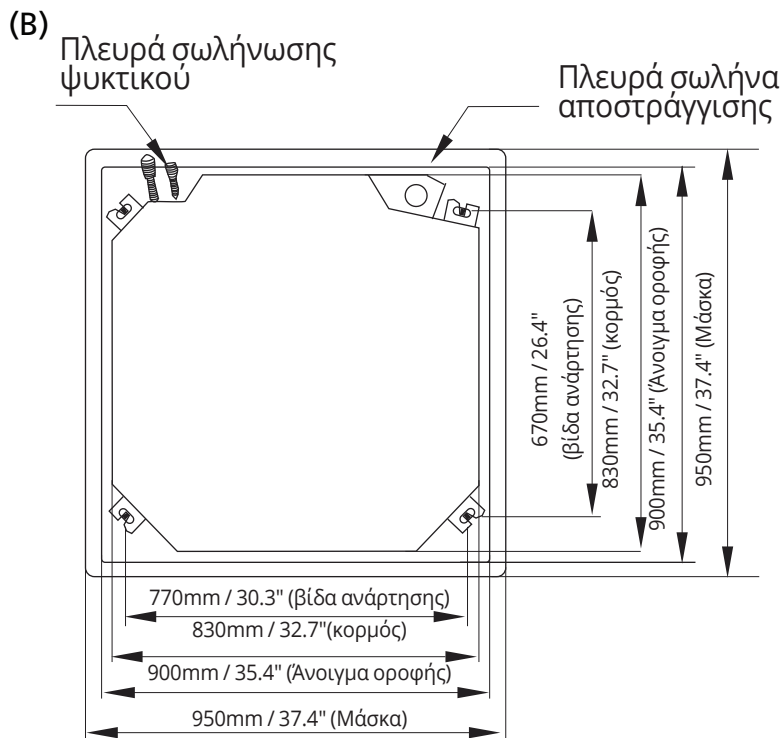
1. Χρησιμοποιήστε το αφρώδες υλικό στεγανοποίησης για να κόψετε μια τετράγωνη οπή στην οροφή, αφήνοντας τουλάχιστον 1m (39") από κάθε πλευρά. Η οπή πρέπει να είναι 60x60cm (23.6x23.6") ή 90x90cm (35.4x35.4"). (Βλ. εικ. 3.3). Μαρκάρετε τις περιοχές όπου θα ανοιχτούν οι οπές αγκίστρωσης οροφής.



Εικ. 3.3

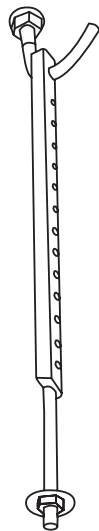


Models: V7CRI-12WiFiR, V7CRI-18WiFiR



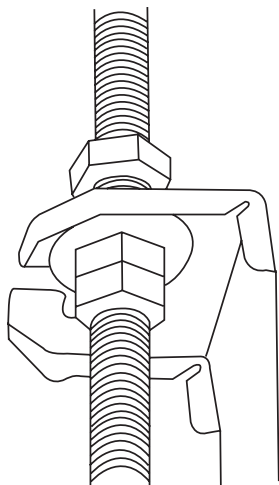
Models: V7CI-24WiFiR, V7CI-36WiFiR, V7CI-42WiFiR,
V7CI-50WiFiR, V7CI-60WiFiR

2. Ανοίξτε 4 οπές σε βάθος 5cm (2") ή 12cm-15.5cm (4.7"-6.1") στις θέσεις των γάντζων οροφής, στην εσωτερική επιφάνεια της οροφής. Κρατήστε το δράπανο σε γωνία 90° ως προς την οροφή.
3. Εισάγετε με ένα σφυρί τους γάντζους στις έτοιμες οπές. Σφίξτε τον κοχλία με τις παρεχόμενες ροδέλες και παξιμάδια.
4. Εγκαταστήστε τους τέσσερις κοχλίες ανάρτησης (Βλ. Εικ. 3.4).



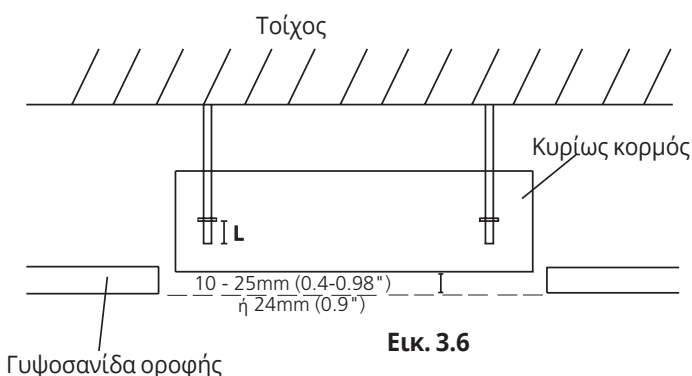
Εικ. 3.4

5. Μοντάρετε την εσωτερική μονάδα. Για την ανύψωση και στερέωσή της θα χρειαστείτε δύο άτομα. Εισάγετε τους κοχλίες ανάρτησης στις οπές ανάρτησης της μονάδας. Δέστε τους με τις παρεχόμενες ροδέλες και παξιμάδια. (Βλέπε Εικ. 3.5).



Εικ. 3.5

ΣΗΜΕΙΩΣΗ: Το κάτω μέρος της μονάδας θα πρέπει να είναι 10 - 25mm (0.4-0.98") για μονάδες 24k-60k ή 24mm (0.9") για μονάδες 12k-18k ψηλότερα από το πάνελ της ψευδοροφής. Γενικά, το L (εμφανίζεται στην Εικ. 3.6) θα πρέπει να είναι το μισό του μήκους του κοχλία ανάρτησης ή αρκετά μακρύ ώστε να μην πέσουν τα παξιμάδια.

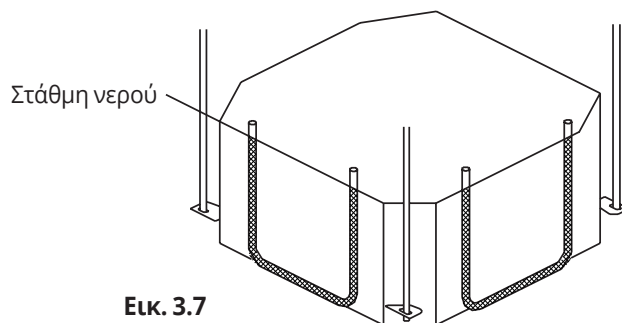


Εικ. 3.6

! ΠΡΟΣΟΧΗ

Βεβαιωθείτε ότι η μονάδα είναι απολύτως οριζόντια. Η εσφαλμένη εγκατάσταση μπορεί να προκαλέσει επιστροφή του σωλήνα αποχέτευσης στη μονάδα ή διαρροή νερού.

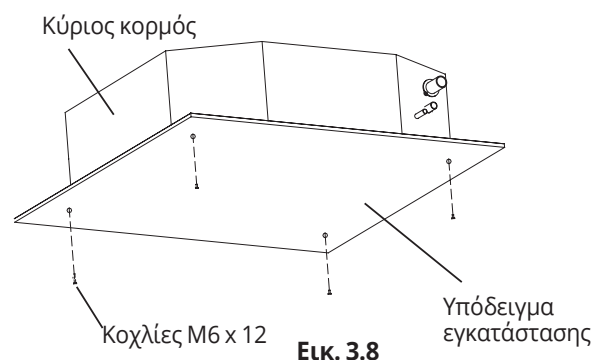
ΣΗΜΕΙΩΣΗ: Βεβαιωθείτε ότι η εσωτερική μονάδα είναι οριζόντια. Η μονάδα είναι εφοδιασμένη με ενσωματωμένη αντλία συμπυκνωμάτων και διακόπτη φλοτέρ. Εάν η μονάδα κλείνει ανάποδα από την κατεύθυνση ροής των συμπυκνωμάτων (η πλευρά του σωλήνα αποχέτευσης βρίσκεται ψηλότερα), ο διακόπτης φλοτέρ μπορεί να δυσλειτουργεί και να προκαλέσει διαρροή νερού.



Εικ. 3.7

ΣΗΜΕΙΩΣΗ ΓΙΑ ΕΓΚΑΤΑΣΤΑΣΗ ΣΕ ΝΕΑ ΚΑΤΟΙΚΙΑ

Κατά την εγκατάσταση της μονάδας σε νέα κατοικία, οι γάντζοι οροφής μπορούν να ενσωματωθούν εκ των προτέρων. Φροντίστε οι γάντζοι να μη λασκάρουν λόγω συρρίκνωσης του σκυροδέματος. Μετά την εγκατάσταση της εσωτερικής μονάδας, στερεώστε το αφρώδες υλικό στεγανοποίησης σχήματος εγκατάστασης στη μονάδα με κοχλίες (M6X12) για να προσδιοριστεί εκ των προτέρων η διάσταση και η θέση του ανοίγματος στην οροφή. Ακολουθήστε τις παραπάνω οδηγίες για το υπόλοιπο της εγκατάστασης.



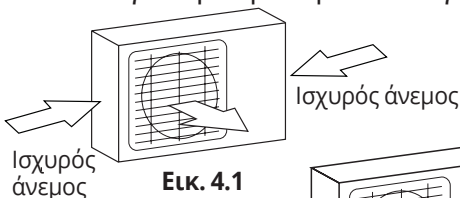
Εικ. 3.8

Οδηγίες εγκατάστασης εξωτερικής μονάδας

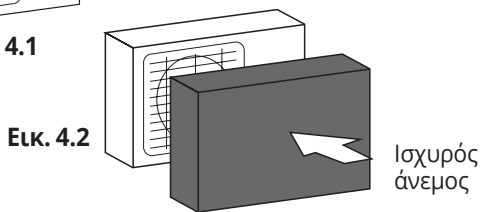
Βήμα 1: Επιλέξτε τη θέση εγκατάστασης

Η εξωτερική μονάδα θα πρέπει να εγκατασταθεί στη θέση που να καλύπτει τις παρακάτω προϋποθέσεις:

- ✓ Τοποθετήστε την εξωτερική μονάδα όσο το δυνατόν πλησιέστερα στην εσωτερική μονάδα.
- ✓ Φροντίστε να υπάρχει αρκετός χώρος για εγκατάσταση και συντήρηση.
- ✓ Η εισαγωγή και εξαγωγή αέρα δεν πρέπει να φράζονται ή να εκτίθενται σε ισχυρούς ανέμους.
- ✓ Βεβαιωθείτε ότι η θέση της μονάδας δεν επηρεάζεται από χιόνι, συσσωρευμένα φύλλα ή άλλα φερτά αντικείμενα. Αν είναι δυνατό, τοποθετήστε τέντα επάνω από τη μονάδα. Φροντίστε η τέντα να μην εμποδίζει τη ροή του αέρα.
- ✓ Η περιοχή εγκατάστασης θα πρέπει να είναι στεγνή και καλά αεριζόμενη.
- ✓ Πρέπει να υπάρχει αρκετός χώρος για την εγκατάσταση των συνδετήριων σωλήνων και καλωδίων και για πρόσβαση σε αυτά για συντήρηση.



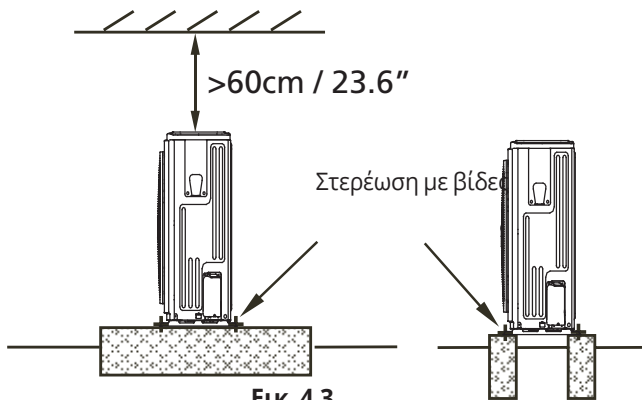
Εικ. 4.1



Εικ. 4.2

Βήμα 2: Τοποθέτηση εξωτερικής μονάδας

Στερεώστε την εξωτερική μονάδα με αγκυροειδείς βίδες (M10)



Εικ. 4.3

- ✓ Η περιοχή δεν πρέπει να επιβαρύνεται από εύφλεκτα αέρια και χημικά.
- ✓ Το μήκος σωλήνα μεταξύ εσωτερικής / εξωτερικής μονάδας δεν θα πρέπει να υπερβαίνει το μέγιστο επιτρεπόμενο μήκος σωλήνα.
- ✓ Αν είναι δυνατό, **MHN** τοποθετείτε τη μονάδα σε θέση εκτεθειμένη σε έντονο ηλιακό φως.
- ✓ Εάν είναι δυνατό, φροντίστε η μονάδα να βρίσκεται μακριά από τις γειτονικές κατοικίες για να μην ενοχλούνται από το θόρυβο της μονάδας.
- ✓ Εάν η θέση είναι εκτεθειμένη σε ισχυρό άνεμο, για παράδειγμα: κοντά σε ακτή, η μονάδα θα πρέπει να τοποθετηθεί πολύ κοντά σε επιφάνεια τοίχου για να προστατευτεί από τον άνεμο. Εάν είναι απαραίτητο, χρησιμοποιήστε τέντα. (Βλέπε Εικ. 5.1 και 5.2)
- ✓ Εγκαταστήστε την εσωτερική / εξωτερική μονάδα, τα καλώδια και τους αγωγούς τους σε απόσταση τουλάχιστον 1 μέτρο από συσκευές τηλεόρασης ή ραδιοφώνου για να μην γίνονται παράσιτα ή παραμόρφωση της εικόνας. Ανάλογα με τη συχνότητα των ραδιοκυμάτων, η απόσταση του 1 μέτρου ενδεχομένως να μην είναι αρκετή για να αποφευχθούν όλες οι παρεμβολές.

ΠΡΟΣΟΧΗ

- Φροντίστε να αφαιρέσετε τυχόν εμπόδια στην κυκλοφορία του αέρα.
- Φροντίστε να συμβουλευθείτε τις Προδιαγραφές μήκους προκειμένου να υπάρχει αρκετός χώρος για εγκατάσταση και συντήρηση.

ΟΔΗΓΙΕΣ ΓΙΑ ΑΚΡΑΙΕΣ ΣΥΝΘΗΚΕΣ

Αν η μονάδα είναι εκτεθειμένη σε δυνατούς ανέμους:
Εγκαταστήστε την μονάδα ώστε η έξοδος του αέρα είναι σε γωνία 90° από την κατεύθυνση του αέρα. Αν χρειαστεί, δημιουργήστε ένα εμπόδιο μπροστά από την μονάδα για να την προστατέψετε από δυνατούς ανέμους.

Αν η μονάδα είναι εκτεθειμένη σε δυνατή χιονόπτωση:

Δημιουργήστε σκέπαστρο πάνω από την μονάδα για να την προστατέψετε από την χιονόπτωση. Βεβαιωθείτε ότι δεν παρεμποδίζεται η ροή του αέρα

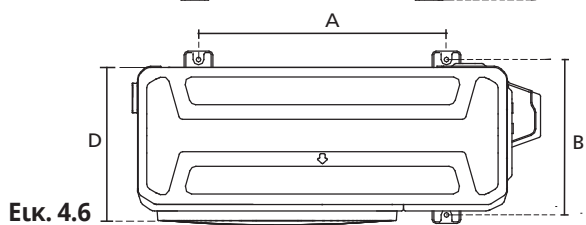
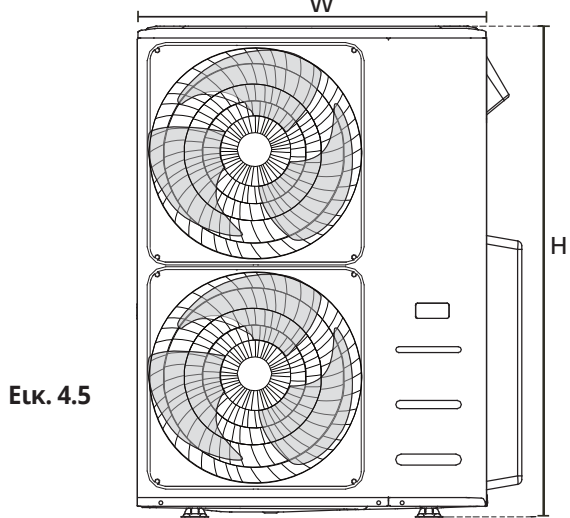
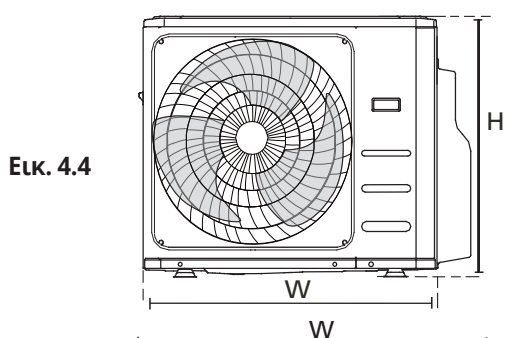
Αν η μονάδα είναι εκτεθειμένη σε αλμυρό αέρα (παραθαλάσσια):

Χρησιμοποιήστε εξωτερική μονάδα σχεδιασμένη με προστασία κατά της διάβρωσης.

Τύποι Εξωτερικών μονάδων και προδιαγραφές

Εξωτερική μονάδα διαιρούμενου τύπου

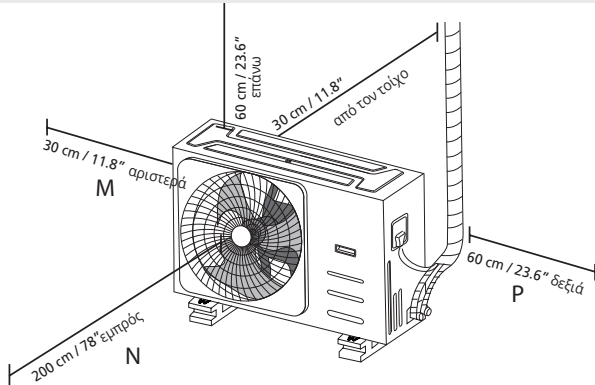
(Συμβουλευθείτε την Εικ 4.4, 4.5, 4.6, 4.10 και τον Πίνακα 4.1)



Πίνακας 4.1: Προδιαγραφές μήκους διαιρούμενου τύπου εξωτερικής μονάδας (μονάδα: mm / ίντσες)

Διαστάσεις Εξωτερικής Μονάδας ΜxΥxΒ	Διαστάσεις συναρμογής	
	Απόσταση Α	Απόσταση Β
760x590x285 (29.9x23.2x11.2)	530 (20.85)	290 (11.4)
810x558x310 (31.9x22x12.2)	549 (21.6)	325 (12.8)
845x700x320 (33.27x27.5x12.6)	560 (22)	335 (13.2)
900x860x315 (35.4x33.85x12.4)	590 (23.2)	333 (13.1)
945x810x395 (37.2x31.9x15.55)	640 (25.2)	405 (15.95)
990x965x345 (38.98x38x13.58)	624 (24.58)	366 (14.4)
938x1369x392 (36.93x53.9x15.43)	634 (24.96)	404 (15.9)
900x1170x350 (35.4x46x13.8)	590 (23.2)	378 (14.88)
800x554x333 (31.5x21.8x13.1)	514 (20.24)	340 (13.39)
845x702x363 (33.27x27.6x14.3)	540 (21.26)	350 (13.8)
946x810x420 (37.24x31.9x16.53)	673 (26.5)	403 (15.87)
946x810x410 (37.24x31.9x16.14)	673 (26.5)	403 (15.87)
952x1333x410 (37.5x52.5x16.14)	634 (24.96)	404 (15.9)
952x1333x415 (37.5x52.5x16.34)	634 (24.96)	404 (15.9)
890x673x342 (35x26.5x13.46)	663 (26.1)	354 (13.94)
765x555x303 (30.1x 21.8x 11.9)	452 (17.8)	286(11.3)
805x554x330 (31.7x 21.8x 12.9)	511 (20.1)	317 (12.5)

ΣΗΜΕΙΩΣΗ: Η ελάχιστη απόσταση μεταξύ της εξωτερικής μονάδας και των τοίχων, όπως περιγράφεται στον οδηγό εγκατάστασης, δεν ισχύει για ερμητικά κλειστά δωμάτια. Φροντίστε να διατηρείτε τη μονάδα χωρίς εμπόδια σε τουλάχιστον δύο από τις τρεις κατευθύνσεις, (M, N, P) (Βλέπε Εικ. 4.10)

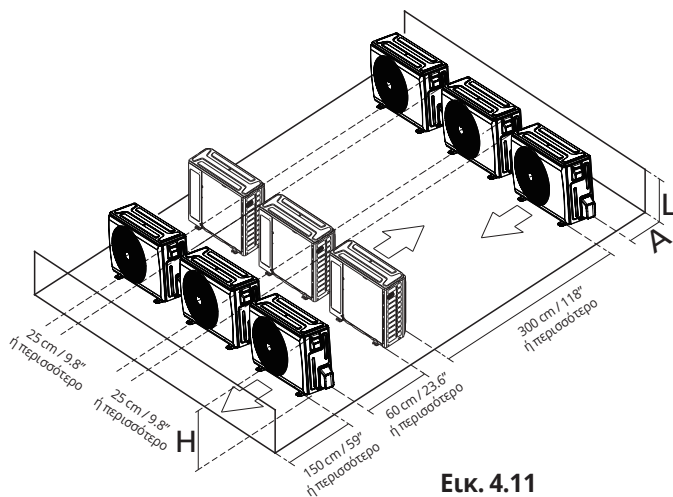


Εικ. 4.10

Σειρές σε εν σειρά εγκατάσταση

Πίνακας 4.3: Οι σχέσεις ανάμεσα στα H, A και L είναι οι εξής:

	L	A
L ≤ H	$L \leq 1/2H$	25 cm / 9.8" ή περισσότερα
	$1/2H < L \leq H$	30 cm / 11.8" ή περισσότερα
L > H	Δε μπορεί να εγκατασταθεί	



Εικ. 4.11

Εγκατάσταση αγωγού αποστράγγισης

Εάν ο αγωγός αποστράγγισης διαθέτει ελαστικό παρέμβυσμα (βλέπε εικ. 4.12 - B), κάντε τα εξής:

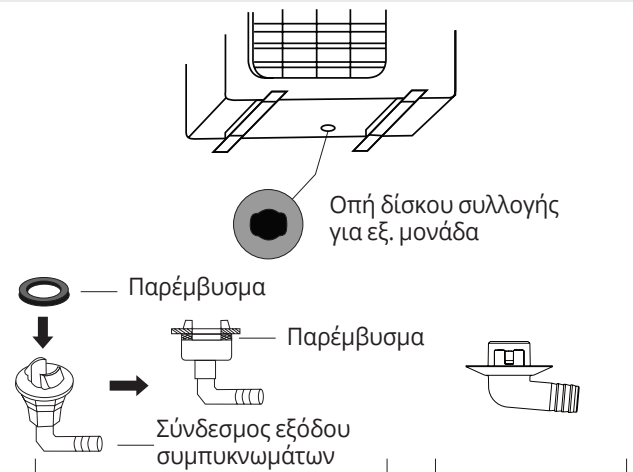
1. Τοποθετήστε το ελαστικό παρέμβυσμα στο άκρο του αγωγού αποστράγγισης που συνδέεται με την εξωτερική μονάδα.

2. Εισάγετε τον αγωγό αποστράγγισης μέσα στην οπή στο δίσκο συλλογής συμπυκνωμάτων της μονάδας.
3. Περιστρέψτε τον αγωγό αποστράγγισης κατά 90° μέχρι να κουμπώσει στη θέση του όντας στραμμένος προς το μπροστινό μέρος της μονάδας.
4. Συνδέστε μια προέκταση για το αγωγό αποστράγγισης (δεν συμπεριλαμβάνεται) για να κατευθύνετε το νερό μακριά από τη μονάδα όταν λειτουργεί σε κατάσταση θέρμανση.

Εάν ο σύνδεσμος αποχέτευσης δεν διαθέτει ελαστικό παρέμβυσμα (βλέπε εικ. 4.12 - B), ενεργήστε ως ακολούθως:

1. Εισάγετε τον αγωγό αποστράγγισης μέσα στην οπή στο δίσκο συλλογής συμπυκνωμάτων της μονάδας. Ο σύνδεσμος αποχέτευσης θα κουμπώσει στη θέση του.
2. Συνδέστε μια προέκταση για το αγωγό αποστράγγισης (δεν συμπεριλαμβάνεται) στον σύνδεσμο αποχέτευσης για να κατευθύνετε το νερό μακριά από τη μονάδα όταν λειτουργεί στη θέρμανση.

ΣΗΜΕΙΩΣΗ: Φροντίστε το νερό να αποστραγγίζει προς ασφαλές σημείο όπου να μην προκαλείται ζημιά από το νερό ή να υπάρχει κίνδυνος ολίσθησης.



Εικ. 4.12

Σημειώσεις για τη διάτρηση οπών σε τοίχο

Απαιτείται η διάτρηση οπής στην τοιχοποιία για τη σωλήνωση του ψυκτικού και το καλώδιο σήματος με το οποίο συνδέεται η εσωτερική με την εξωτερική μονάδα.

1. Εντοπίστε τη θέση της οπής με βάση τη θέση της εξωτερικής μονάδας.
2. Χρησιμοποιώντας ποτηροτρύπανο 65-mm (2.5"), ανοίξτε μια οπή στον τοίχο.

ΣΗΜΕΙΩΣΗ: Κατά τη διάτρηση του τοίχου, φροντίστε να μην τρυπήσετε καλώδια, σωλήνες ύδρευσης και άλλες ευαίσθητες εγκαταστάσεις.

3. Τοποθετήστε το προστατευτικό χιτώνιο στην οπή. Έτσι προστατεύονται τα άκρα του ανοίγματος της οπής και διευκολύνεται η σφράγιση με το τέλος της διαδικασίας της εγκατάστασης.

Εγκατάσταση αγωγού αποστράγγισης

5

Ο αποχετευτικός αγωγός χρησιμοποιείται για την αποστράγγιση του νερού από τη μονάδα. Η εσφαλμένη εγκατάσταση μπορεί να προκαλέσει ζημιά στην μονάδα και υλικών ζημιών.

⚠ ΠΡΟΣΟΧΗ

- Μονώστε όλους τους σωλήνες για την αποφυγή συμπύκνωσης που θα μπορούσε να προκαλέσει ζημιά λόγω υγρασίας.
- Εάν ο σωλήνας αποχέτευσης λυγίσει ή τοποθετηθεί εσφαλμένα, ενδεχεται να διαρρεύσει νερό και να προκληθεί δυσλειτουργία του διακόπτη στάθμης νερού.
- Σε λειτουργία ΘΕΡΜΑΝΣΗΣ, από την εξωτερική μονάδα θα αποβάλλεται νερό. Βεβαιωθείτε ότι ο σωλήνας αποχέτευσης έχει τοποθετηθεί σε κατάλληλο σημείο για να μην προκληθεί ζημιά από το νερό ή ολίσηση εάν τυχόν παγώσει το νερό της αποχέτευσης.
- **ΜΗΝ** τραβάτε με δύναμη την σωλήνα αποχέτευσης. Αυτό θα μπορούσε να την αποσυνδέσει.

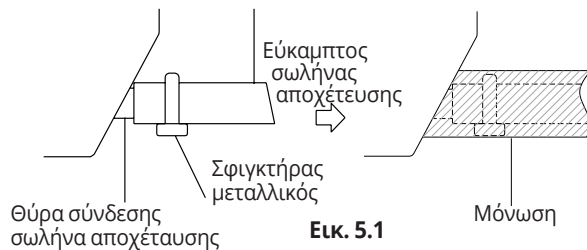
ΣΗΜΕΙΩΣΗ ΓΙΑ ΤΗΝ ΑΓΟΡΑ ΣΩΛΗΝΩΝ

Σε αυτή την εγκατάσταση απαιτείται σωλήνας από πολυαιθυλένιο (εξωτερική διάμετρος = 3,7-3,9cm, εσωτερική διάμετρος = 3,2cm), διαθέσιμος από τα καταστήματα υδραυλικών υλικών ή από τον αντιπρόσωπό σας.

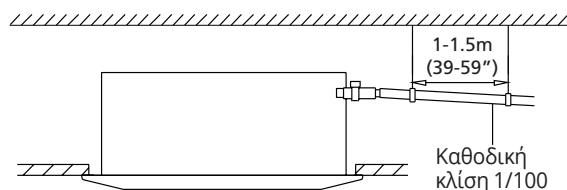
Εσωτερική εγκατάσταση αποχέτευσης

Εγκαταστήστε το σωλήνα αποχέτευσης όπως εικονίζεται στην Εικόνα 5.2.

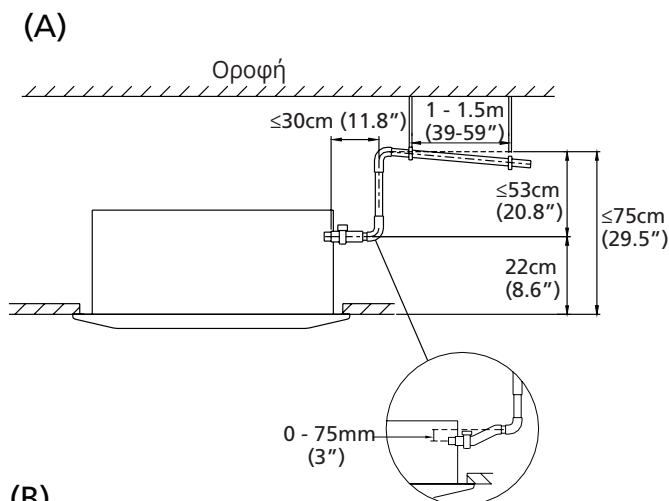
1. Καλύψτε την σωλήνα αποχέτευσης με θερμομόνωση για να αποφεύγεται συμπύκνωση και διαρροή.
2. Συνδέστε το στόμιο της σωλήνας αποστράγγισης στην σωλήνα εξαγωγής της μονάδας. Γυρίστε το στόμιο του αγωγού και σφίξτε το με ένα καρφί. (Εικ. 5.1)



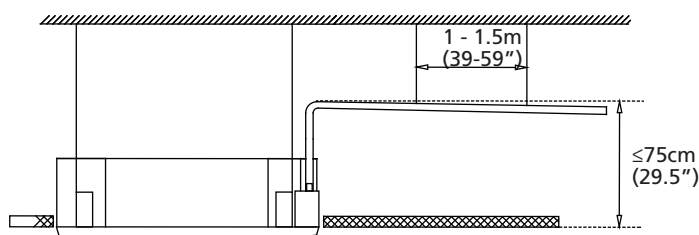
Εικ. 5.1



Εικ. 5.2



(B)

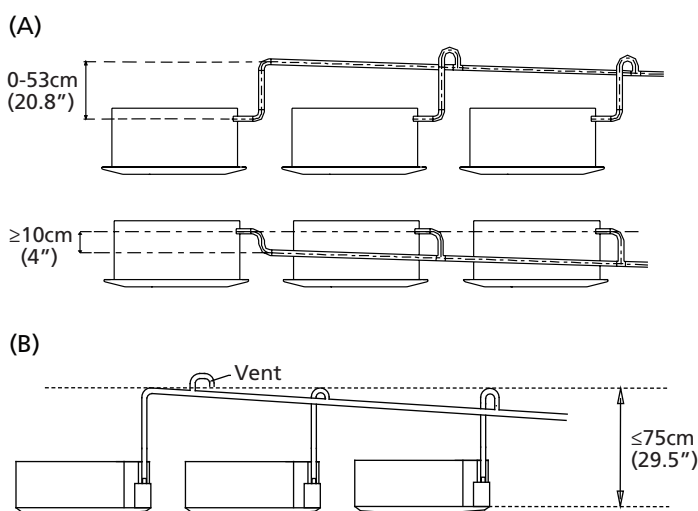


Εικ. 5.3

ΣΗΜΕΙΩΣΗ ΓΙΑ ΕΓΚΑΤΑΣΤΑΣΗ ΑΠΟΧΕΥΤΕΣΗΣ

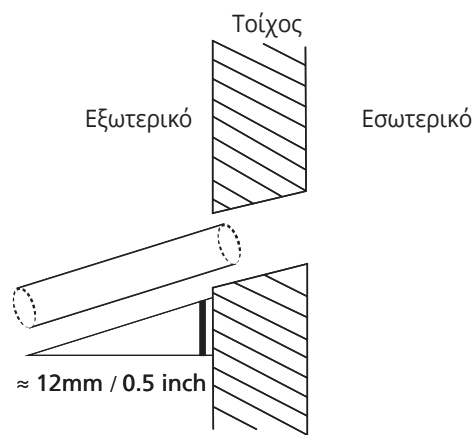
- Όταν χρησιμοποιείτε εκτεταμένη σωλήνα αποχέτευσης, σφίξτε την εσωτερική σύνδεση με μια πρόσθετη σωλήνα προστασίας. Αυτό το εμποδίζει από το να λυθεί.
- Η αγωγός αποστράγγισης πρέπει να κλίνει προς τα κάτω με γωνία τουλάχιστον 1/100 ώστε να αποτρέψει την επιστροφή του νερού πίσω στο κλιματιστικό.
- Για να αποφεύγεται να κάνει κοιλιά ο σωλήνας, τα συρματόσχοινα ανάρτησης πρέπει να τοποθετούνται σε αποστάσεις 1-1,5m (40-59").
- Εάν η έξοδος του σωλήνα αποχέτευσης είναι υψηλότερα από την ένωση αντλίας στον κορμό, χρησιμοποιήστε σωλήνα ανύψωσης για την έξοδο απαγωγής της εσωτερικής μονάδας. Ο σωλήνας ανύψωσης πρέπει να τοποθετηθεί όχι υψηλότερα από 75cm (29.5") από το πάνελ οροφής και η απόσταση ανάμεσα στη μονάδα και το σωλήνα ανύψωσης θα πρέπει να είναι κάτω των 30cm (11.8"). Τυχόν εσφαλμένη εγκατάσταση πιθανόν να προκαλέσει την ανάστροφη ροή νερού προς τη μονάδα και το πλημμύρισμά της.
- Για να αποφεύγονται φυσαλίδες αέρα, διατηρήστε τον σωλήνα αποχέτευσης επίπεδο ή με ελαφρά κλίση προς τα επάνω (<math><75\text{mm} / 3''</math>).

ΣΗΜΕΙΩΣΗ: Κατά τη σύνδεση πολλαπλών σωλήνων αποχέτευσης, τοποθετήστε τους σωλήνες όπως εικονίζεται στην εικ. 5.4.



Εικ. 5.4

3. Χρησιμοποιώντας ένα τρυπάνι 65mm (2.56") ή 90mm (3.54"), ανοίξτε μια οπή στο τοίχο. Βεβαιωθείτε ότι έχει τρυπήσει με μικρή γωνία προς τα κάτω, έτσι ώστε το εξωτερικό άκρο της οπής να είναι χαμηλότερο από το εσωτερικό άκρο κατά περίπου 12 mm (0,5"). Αυτό θα διασφαλίσει την ορθή αποστράγγιση του νερού (Δείτε Σχ. 6.4). Τοποθετήστε το προστατευτικό κάλυμμα της οπής στον τοίχο. Αυτό προστατεύει τις άκρες της οπής και θα βοηθήσει στη στεγανοποίηση μόλις ολοκληρώσετε την εγκατάσταση.



Εικ. 5.5

ΣΗΜΕΙΩΣΗ: Κατά τη διάτρηση της οπής, φροντίστε να μην τρυπήσετε καλώδια, σωλήνες ύδρευσης και άλλες ευαίσθητες εγκαταστάσεις.

4. Περάστε τον εύκαμπτο σωλήνα αποστράγγισης μέσω της οπής του τοίχου. Φροντίστε το νερό να αποστραγγίζει προς ασφαλές σημείο όπου να μην προκαλείται ζημιά από το νερό ή να υπάρχει κίνδυνος ολίσθησης.

ΣΗΜΕΙΩΣΗ: Η έξοδος αποστράγγισης πρέπει να είναι τουλάχιστον 5 εκατοστά (1.9") πάνω από το έδαφος. Αν αγγίζει το πάτωμα, η μονάδα μπορεί να μπλοκαριστεί και να μην λειτουργεί σωστά. Αν διοχετεύετε απευθείας το νερό σε έναν αποχετευτικό αγωγό, βεβαιωθείτε ότι η αποχέτευση έχει U ή S σωλήνα για να αποβάλλουν οσμές οι οποίες διαφορετικά θα επέστρεφαν στο σπίτι

Οδηγίες ασφαλείας

ΠΡΟΕΙΔΟΠΟΙΗΣΗ

- Όλες οι σωληνώσεις στο χώρο εγκατάστασης πρέπει να ολοκληρώνονται από έναν εξειδικευμένο τεχνικό και να συμμορφώνονται με τους τοπικούς και εθνικούς κανονισμούς.
- Όταν η κλιματιστική μονάδα τοποθετείται σε μικρό δωμάτιο, πρέπει να ληφθούν μέτρα ώστε η συγκέντρωση ψυκτικού στο δωμάτιο να μην υπερβεί το όριο ασφαλείας στην περίπτωση διαρροής ψυκτικού. Εάν η διαρροή ψυκτικού και η συγκέντρωσή του υπερβαίνει το προβλεπόμενο όριο, ενδέχεται να προκύψουν κίνδυνοι λόγω έλλειψης οξυγόνου.
- Κατά την εγκατάσταση του συστήματος ψύξης, φροντίστε να μην εισέλθουν στο κύκλωμα του ψυκτικού αέρα, σκόνη, υγρασία ή ξένα σώματα. Η ρύπανση του συστήματος μπορεί να μειώσει την ψυκτική ικανότητα ή να προκαλέσει υψηλή πίεση στον ψυκτικό κύκλο, έκρηξη ή τραυματισμό.
- Αερίστε αμέσως το χώρο εάν υπάρχει διαρροή ψυκτικού κατά την εγκατάσταση. Το διαρρέον ψυκτικό αέριο είναι και τοξικό και εύφλεκτο. Φροντίστε να μην υπάρχει διαρροή ψυκτικού μετά την ολοκλήρωση της εργασίας εγκατάστασης.

Σημειώσεις για το μήκος και το ύψος των σωληνών

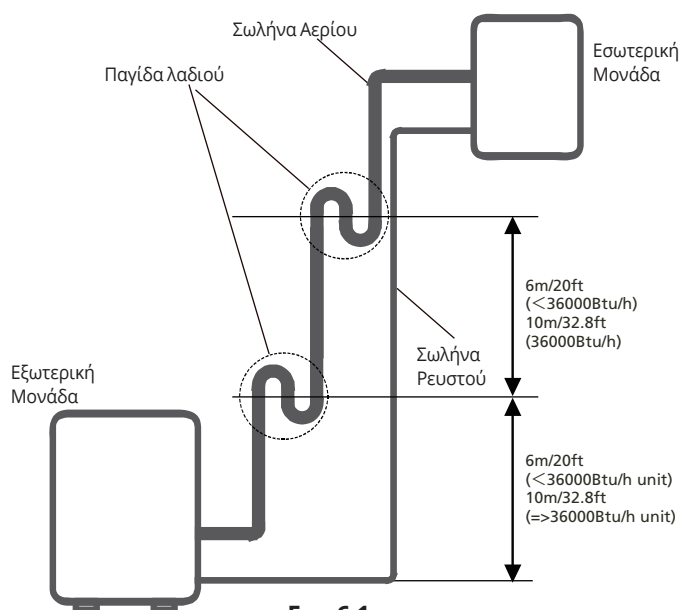
Βεβαιωθείτε ότι το μήκος του σωλήνα ψυκτικού μέσου, ο αριθμός των καμπύλων και η υψομετρική διαφορά ανάμεσα στην εσωτερική και την εξωτερική μονάδα πληροί τις προϋποθέσεις του Πίνακα 6.1:

Πίνακας 6.1: Οι μέγιστες τιμές μήκους και ανύψωσης βάσει των μοντέλων. (Μονάδα: m/ft.)

Μοντέλο	Ισχύς (Btu/h)	Μήκος σωλ.	Μέγ. διαφορά ύψους
Βόρειος Αμερική, Αυστραλία και ΕΕ μετατροπή συχνότητας, Διαιρούμενου τύπου	<15K	25/82	10/32.8
	≥15K - <24K	30/98.4	20/65.6
	≥24K - <36K	50/164	25/82
	≥36K - ≤60K	75/246	30/98.4
Άλλος διαιρούμενος τύπος	12K	15/49	8/26
	18K-24K	25/82	15/49
	30K-36K	30/98.4	20/65.6
	42K-60K	50/164	30/98.4

ΠΡΟΣΟΧΗ

- Παγίδες λαδιού
Αν η εσωτερική μονάδα έχει εγκατασταθεί ψηλότερα της εξωτερικής μονάδας:
- Αν το πετρέλαιο ρέει πίσω στην εξωτερική μονάδα συμπιεστή, μπορεί να προκαλέσει συμπίεση του υγρού ή φθορά κατά την επιστροφή του λαδιού. Οι παγίδες πετρελαίου στις ανυψωμένες σωληνώσεις αερίου μπορούν να το αποτρέψουν.
Μια παγίδα πετρελαίου πρέπει να εγκαθίσταται ανά 6m (20ft) ή 10m (32.8ft) ου κατακόρυφου σωλήνα αναρρόφησης. (Βλ. Σχ. 6.1)



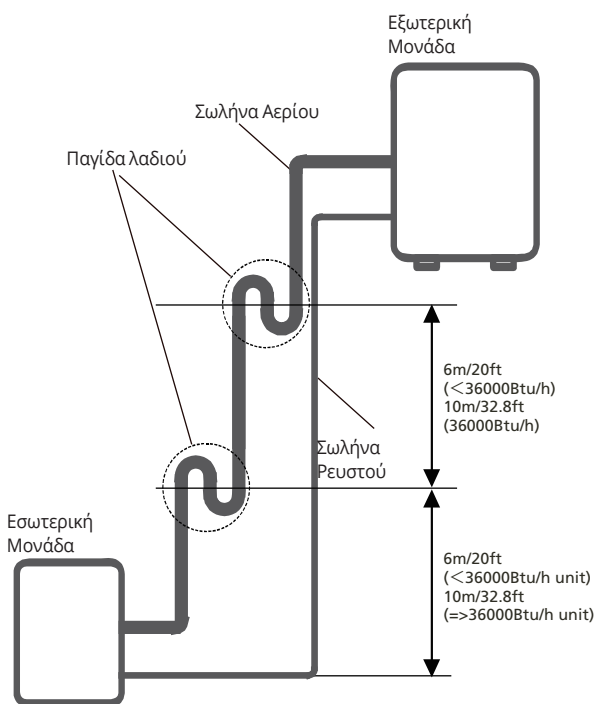
Εικ. 6.1

Η εσωτερική μονάδα έχει εγκατασταθεί υψηλότερα της εξωτερικής μονάδας

ΠΡΟΣΟΧΗ

Αν η εξωτερική μονάδα έχει εγκατασταθεί ψηλότερα της εσωτερικής μονάδας:

- Συνιστάται να μην υπερυψώνετε την κάθετη αναρρόφηση. Η ορθή επιστροφή του λαδιού στον συμπιεστή θα πρέπει να πραγματοποιείται μέσω της ταχύτητας που αναρροφάται το αέριο. Εάν οι ταχύτητες πέσουν κάτω από 7,62m / s (1500 fpm (πόδια ανά λεπτό)), η επιστροφή του λαδιού θα μειωθεί. Μια παγίδα λαδιού θα πρέπει να εγκαθίσταται ανά 6m(20ft) ή 10m(32.8ft) του κατακόρυφου σωλήνα αναρρόφησης. (Βλέπε Σχ. 6.2)



Εικ. 6.2

Η εξωτερική μονάδα έχει εγκατασταθεί υψηλότερα της εσωτερικής μονάδας

Οδηγίες σύνδεσης σωληνώσεων ψυκτικού μέσου

ΠΡΟΣΟΧΗ

- Ο σωλήνας διακλάδωσης πρέπει να τοποθετείται οριζόντια. Γωνία άνω των 10° μπορεί να προκαλέσει δυσλειτουργία.
- **ΜΗΝ** τοποθετείτε τη σωλήνα σύνδεσης μέχρι να εγκατασταθούν τόσο η εσωτερική όσο και η εξωτερική μονάδα.
- Μονώστε τις σωληνώσεις αερίου και υγρού για να αποφεύγεται διαρροή νερού.

Βήμα 1: Κοπή των σωλήνων

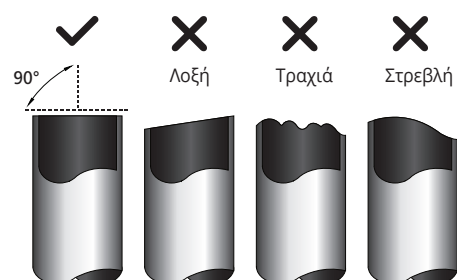
Κατά την προετοιμασία των σωλήνων ψυκτικού, πρέπει να επιδεικνύετε ιδιαίτερη προσοχή προς την σωστή κοπή και εκχείλωση αυτών. Έτσι θα εξασφαλιστεί αποδοτική λειτουργία και οι ελάχιστες ανάγκες μελλοντικής συντήρησης. Για τα R32/R290 ψυκτικά μέσα, τα σημεία σύνδεσης του σωλήνα πρέπει να τοποθετούνται έξω από το δωμάτιο. Οι σωλήνες σύνδεσης δεν μπορούν να επαναχρησιμοποιηθούν.

1. Μετρήστε την απόσταση μεταξύ εσωτερικών και εξωτερικών μονάδων.
2. Με κόφτη σωλήνων, κόψτε τη σωλήνα λίγο παραπάνω από την απόσταση που μετρήσατε.

ΠΡΟΣΟΧΗ

ΜΗΝ παραμορφώνετε τη σωλήνα κατά την κοπή. Προσέξτε ώστε να μην προκαλέσετε ζημιές, αμυχές ή παραμορφώσεις στη σωλήνα κατά την κοπή. Αυτό μπορεί να προκαλέσει μειωμένη απόδοση της μονάδας

3. Φροντίστε να κόψετε το σωλήνα σε γωνία ακριβώς 90°. Συμβουλευθείτε την εικ. 7.5 για παραδείγματα άτεχνων κοπών



Εικ. 6.3

Βήμα 2: Αφαιρέστε τα γρέζια

Τα γρέζια μπορεί να εμποδίσουν την ερμητική ένωση ανάμεσα στα τμήματα σωλήνων ψυκτικού. Θα πρέπει να απομακρυνθούν τελείως.

1. Κρατήστε τη σωλήνα με κλίση προς τα κάτω για να μην πέσουν τα γρέζια μέσα στο σωλήνα.
2. Με εργαλείο διεύρυνσης αφαιρέστε όλα τα γρέζια από το κομμένο τμήμα της σωλήνας.

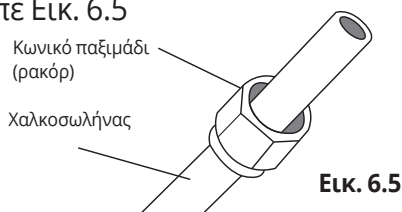


Εικ. 6.4

Βήμα 3: Εκχείλωση άκρων σωλήνα

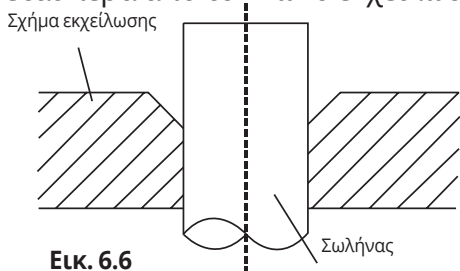
Η κατάλληλη εκχείλωση είναι ουσιώδης για να πετύχουμε αεροστεγή σφράγιση.

1. Μετά την αφαίρεση των γρεζιών από τον κομμένο σωλήνα, σφραγίστε τα άκρα με ταινία PVC για να μην εισέλθουν ξένα υλικά στο σωλήνα.
2. Καλύψτε τη σωλήνα με μονωτικό υλικό.
3. Τοποθετήστε κωνικά παξιμάδια και στα δύο άκρα του σωλήνα. Φροντίστε να είναι στραμμένα προς τη σωστή κατεύθυνση, διότι μετά την εκχείλωση δεν είναι δυνατή η αλλαγή τους. Βλέπε Εικ. 6.5



Εικ. 6.5

4. Αφαιρέστε την ταινία PVC από τα άκρα του σωλήνα όταν είστε έτοιμοι για την εργασία εκχείλωσης.
5. Στερεώστε τον κώνο εκχείλωσης στο άκρο της σωλήνας. Το άκρο της σωλήνας πρέπει να εκτείνεται πέρα από τον κώνο εκχείλωσης.



Εικ. 6.6

6. Τοποθετήστε το εκχειλωτικό επάνω στον κώνο εκχείλωσης.
7. Γυρίστε δεξιόστροφα τη χειρολαβή του εκχειλωτικού μέχρι την πλήρη εκχείλωση της

σωλήνας. Κάντε εκχείλωση σύμφωνα με τις διαστάσεις που παρουσιάζονται στον πίνακα 6.3.

Πίνακας 6.3: ΕΠΕΚΤΑΣΗ ΣΩΛΗΝΩΣΗ ΠΕΡΑ ΑΠΟ ΤΟΝ ΕΚΧΕΙΛΩΤΙΚΟ ΚΩΝΟ

Διάμετρος σωλήνα	Ροπή σύσφιξης (183-204 kgf.cm)	Διάσταση εκχείλωσης (A) (μονάδα: mm/Inch)		Σχήμα κωνικής σύνδεσης
		Min.	Max.	
Ø 6.35	18-20 N.m (183-204 kgf.cm)	8.4/0.33	8.7/0.34	
Ø 9.52	25-26 N.m (255-265 kgf.cm)	13.2/0.52	13.5/0.53	
Ø 12.7	35-36 N.m (357-367 kgf.cm)	16.2/0.64	16.5/0.65	
Ø 16	45-47 N.m (459-480 kgf.cm)	19.2/0.76	19.7/0.78	
Ø 19	65-67 N.m (663-683 kgf.cm)	23.2/0.91	23.7/0.93	
Ø 22	75-85 N.m (765-867 kgf.cm)	26.4/1.04	26.9/1.06	

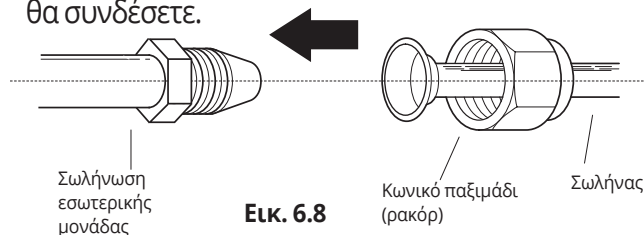
8. Αφαιρέστε το εκχειλωτικό και τον κώνο εκχείλωσης, στη συνέχεια επιθεωρήστε το άκρο του σωλήνα εάν υπάρχουν ρωγμές και αν είναι ομοιόμορφη η εκχείλωση.

Βήμα 4: Σύνδεση Σωλήνων

Συνδέστε τις χαλκοσωλήνες πρώτα στην εσωτερική μονάδα, στη συνέχεια συνδέστε στην εξωτερική μονάδα. Θα πρέπει αρχικά να συνδέσετε το σωλήνα χαμηλής πίεσης, στη συνέχεια το σωλήνα υψηλής πίεσης.

1. Κατά τη σύνδεση των ρακόρ, απλώστε ένα λεπτό στρώμα λαδιού για ψυκτικούς σωλήνες στα κωνικά άκρα των σωλήνων.

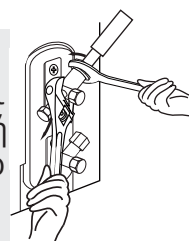
2. Ευθυγραμμίστε τα κέντρα των δύο σωλήνων που θα συνδέσετε.



Εικ. 6.8

3. Σφίξτε το ρακόρ όσο το δυνατόν πιο σφικτά με το χέρι.
4. Συγκρατήστε το παξιμάδι με πολύγωνο κλειδί επάνω στη σωλήνωση της μονάδας.
5. Κρατήστε σταθερά το παξιμάδι, χρησιμοποιήστε δυναμόκλειδο για να σφίξετε το ρακόρ σύμφωνα με τις τιμές ροπής στον πίνακα 6.3.

ΣΗΜΕΙΩΣΗ: Χρησιμοποιήστε τόσο το πολύγωνο κλειδί όσο και δυναμόκλειδο κατά τη σύνδεση ή αποσύνδεση σωλήνων προς/από τη μονάδα.



! ΠΡΟΣΟΧΗ

- Φροντίστε να τυλίξετε τη μόνωση γύρω από την σωλήνωση. Η απευθείας επαφή με γυμνό σωλήνα μπορεί να προκαλέσει εγκαύματα ή κρουπαγήματα.
- Βεβαιωθείτε ότι ο σωλήνας έχει συνδεθεί σωστά. Τυχόν υπερβολικό σφίξιμο μπορεί να προκαλέσει βλάβη στο διευρυμένο στόμιο και υπερβολικά ασθενής σύσφιγξη να συντελέσει σε διαρροή.

ΣΗΜΕΙΩΣΗ ΓΙΑ ΤΗΝ ΕΛΑΧΙΣΤΗ ΑΚΤΙΝΑ ΚΑΜΨΗΣ

Λυγίστε προσεκτικά τη σωλήνωση στο μέσον με βάση το παρακάτω διάγραμμα. **ΜΗΝ** λυγίζετε τις σωληνώσεις περισσότερο από 90° ή περισσότερες από 3 φορές.



Εικ. 6.10

6. Μετά τη σύνδεση των χαλκοσωλήνων στην εσωτερική μονάδα, τυλίξτε το καλώδιο ρεύματος, το καλώδιο σήματος και τη σωλήνωση μαζί με ταινία..

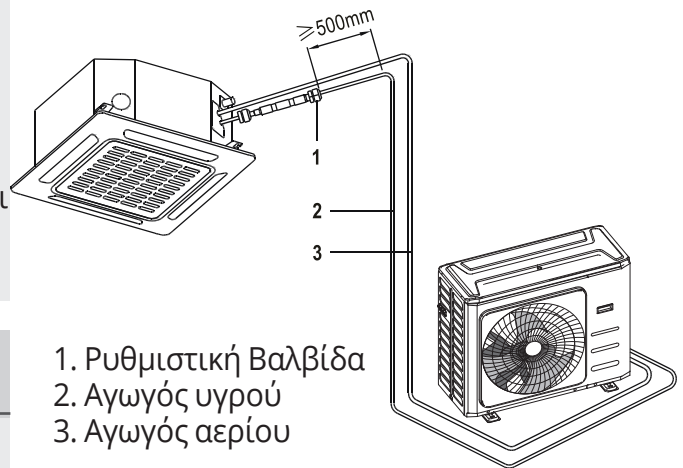
ΣΗΜΕΙΩΣΗ: ΜΗΝ συστρέψετε το καλώδιο σήματος με τα άλλα καλώδια. Όταν δένετε σε δεσμίδα τα παραπάνω, μην συστρέψετε και μη διασταυρώνετε το καλώδιο σήματος με οποιοδήποτε άλλο καλώδιο.

7. Περάστε αυτή τη δεσμίδα διαμέσου του τοίχου και συνδέστε την με την εξωτερική μονάδα.
8. Μονώστε όλες τις σωληνώσεις, συμπεριλαμβανομένων των βαλβίδων της εξωτερικής μονάδας.
9. Ανοίξτε τις βαλβίδες διακοπής της εξωτερικής μονάδας για να ξεκινήσετε τη ροή του ψυκτικού μεταξύ της εσωτερικής και της εξωτερικής μονάδας.

! ΠΡΟΣΟΧΗ

Βεβαιωθείτε ότι δεν υπάρχει διαρροή ψυκτικού μετά την ολοκλήρωση της εργασίας εγκατάστασης. Εάν υπάρχει διαρροή ψυκτικού, αερίστε αμέσως το χώρο και εκκενώστε το σύστημα (συμβουλευθείτε την ενότητα Εκκένωση αέρα αυτού του εγχειριδίου).

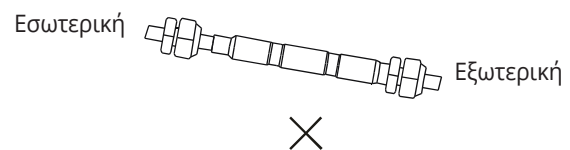
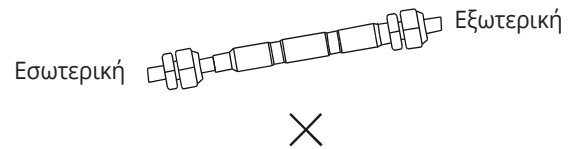
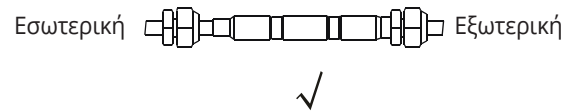
Εγκατάσταση Ρυθμιστικής βαλβίδας. (Ορισμένα μοντέλα)



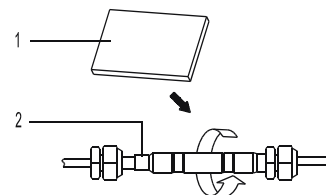
1. Ρυθμιστική Βαλβίδα
2. Αγωγός υγρού
3. Αγωγός αερίου

Προφυλάξεις

Για την εξασφάλιση μέγιστων αποδόσεων, παρακαλούμε τοποθετήστε τη ρυθμιστική βάνα όσο το δυνατό οριζόντια.



Τυλίξτε με το ηχομονωτικό υλικό για να αποτρέψετε τους θορύβους



1. Ηχομονωτικό
2. Ρυθμιστική Βάνα

Οδηγίες ασφαλείας

ΠΡΟΕΙΔΟΠΟΙΗΣΗ

- Αποσυνδέστε την τροφοδοσία ρεύματος πριν από την εργασία στη μονάδα.
- Το σύνολο της καλωδίωσης ρεύματος θα πρέπει να γίνεται σύμφωνα με τους τοπικούς και εθνικούς κανονισμούς.
- Η καλωδίωση θα πρέπει να γίνεται από εξειδικευμένο ηλεκτρολόγο. Τυχόν εσφαλμένη σύνδεση μπορεί να προκαλέσει δυσλειτουργία του ηλεκτρικού κυκλώματος, τραυματισμό και πυρκαγιά.
- Για τη μονάδα αυτή θα πρέπει να χρησιμοποιείται ανεξάρτητο κύκλωμα και μια ξεχωριστή πρίζα.
ΜΗΝ τοποθετείτε άλλη συσκευή ή φορτιστή στην ίδια πρίζα. Εάν δεν επαρκεί η ισχύς του κυκλώματος ή υπάρχει ατέλεια στις ηλεκτρολογικές εργασίες, μπορεί να προκληθεί ηλεκτροπληξία, πυρκαγιά ή ζημιές στη μονάδα και άλλα αντικείμενα.
- Συνδέστε το καλώδιο ρεύματος στους ακροδέκτες και στερεώστε με σφιγκτήρα. Τυχόν εσφαλμένη σύνδεση μπορεί να προκαλέσει πυρκαγιά.
- Βεβαιωθείτε ότι το σύνολο της καλωδίωσης γίνεται σωστά και το κάλυμμα της πλακέτας ελέγχου έχει τοποθετηθεί σωστά. Εάν δεν γίνει αυτό μπορεί να προκληθεί υπερθέρμανση στα σημεία σύνδεσης, πυρκαγιά και ηλεκτροπληξία.
- Βεβαιωθείτε ότι η κύρια σύνδεση παροχής γίνεται διαμέσου διακόπτη που απομονώνει όλους τους πόλους, με διάκενο επαφών τουλάχιστον 3mm (0.118").
- **ΜΗΝ** αλλάζετε το μήκος του καλωδίου ρεύματος και μην χρησιμοποιείτε καλώδιο προέκτασης.

ΠΡΟΣΟΧΗ

- Συνδέστε τα καλώδια της εξωτερικής μονάδας προτού συνδέσετε εκείνα της εσωτερικής.
- Φροντίστε η μονάδα να είναι γειωμένη. Το καλώδιο γείωσης θα πρέπει να οδεύει μακριά από αγωγούς αερίου, σωληνώσεις ύδρευσης, ακίδες αλεξικέραυνων, τηλεφωνικά καλώδια ή άλλους αγωγούς γείωσης. Η εσφαλμένη γείωση μπορεί να προκαλέσει ηλεκτροπληξία.
- **ΜΗΝ** συνδέετε τη μονάδα με την πηγή ρεύματος μέχρι την ολοκλήρωση του συνόλου των καλωδιώσεων και των σωληνώσεων.
- Φροντίστε να μην διασταυρώνονται τα καλώδια ρεύματος με τα καλώδια σηματοδοσίας. Ενδέχεται να προκληθούν παρεμβολές.

Ακολουθήστε αυτές τις οδηγίες για να αποφεύγεται παραμόρφωση (παράσιτα) κατά την εκκίνηση του συμπιεστή:

- Η μονάδα θα πρέπει να συνδέεται στην κύρια πρίζα ρεύματος. Κανονικά, η τροφοδοσία ρεύματος πρέπει να έχει χαμηλή αντίσταση εισόδου στα 32 Ωμ.
- Καμία άλλη συσκευή δεν πρέπει να συνδέεται στο ίδιο κύκλωμα ισχύος.
- Οι πληροφορίες ισχύος της μονάδας μπορούν να βρεθούν στο ταμπελάκι ονομαστικών στοιχείων του προϊόντος.

ΠΡΟΣΕΞΤΕ ΤΙΣ ΟΔΗΓΙΕΣ ΑΣΦΑΛΕΙΑΣ

Η πλακέτα του κλιματιστικού έχει σχεδιαστεί με ασφαλιστικά μέτρα για προστασία υπερέντασης. Οι προδιαγραφές της ασφάλειας είναι τυπωμένες στην πλακέτα, π.χ.:

Εσωτερική μονάδα: T3.15A/250VAC, T5A/250VAC. (ισχύει για μονάδα με ψυκτικό R32)

Εξωτερική μονάδα: T20A/250VAC

ΣΗΜΕΙΩΣΗ: Η ασφάλεια είναι από κεραμικό υλικό.

Καλωδίωση εξωτερικής μονάδας



ΠΡΟΕΙΔΟΠΟΙΗΣΗ

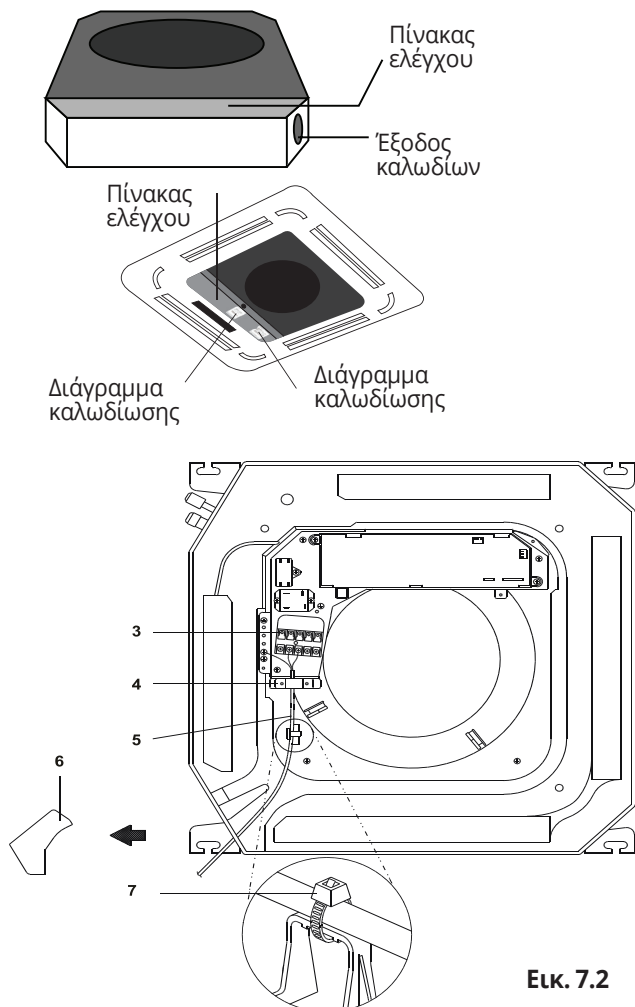
Πριν από την πραγματοποίηση οποιασδήποτε ηλεκτρολογικής εργασίας ή καλωδίωσης, κλείστε τη γενική παροχή ρεύματος του συστήματος.

1. Προετοιμάστε το καλώδιο για τη σύνδεση
 - α. Επιλέξτε κατάλληλο μέγεθος καλωδίου πριν από την προετοιμασία για σύνδεση. Ο τύπος καλωδίου που πρέπει να χρησιμοποιείται είναι H07RN-F.

Πίνακας 7.1: Άλλες περιοχές

Ονομαστικό ρεύμα συσκευής (A)	Ονομαστικό εμβαδόν διατομής (mm ²)
> 3 και ≤ 6	0.75
> 6 και ≤ 10	1
> 10 και ≤ 16	1.5
> 16 και ≤ 25	2.5
> 25 και ≤ 32	4
> 32 και ≤ 40	6

Μονάδες Super-Slim



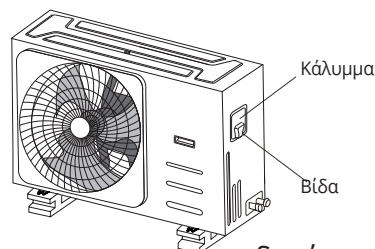
Εικ. 7.2

- β. Με απογυμνωτή καλωδίων βγάλτε την ελαστική μόνωση από τα δύο άκρα του καλωδίου σήματος για να αποκαλυφθούν περίπου 15cm (5.9") από τα καλώδια που περιέχει.

- γ. Κόψτε τη μόνωση από τα άκρα των συρμάτων.
- δ. Χρησιμοποιώντας πρέσα για καλώδια, συμπιέστε τους ακροδέκτες κως στα άκρα των καλωδίων.

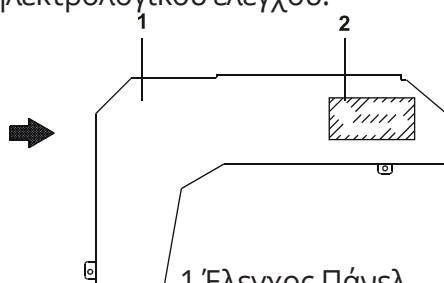
ΣΗΜΕΙΩΣΗ: Όταν συνδέετε τα καλώδια, να τηρείτε αυστηρά το διάγραμμα συνδεσμολογίας (υπάρχει μέσα στο κάλυμμα του κιβωτίου ηλεκτρολογικών).

2. Αφαιρέστε το καπάκι ηλεκτρολογικών της εσωτερικής μονάδας. Εάν δεν υπάρχει καπάκι στην εξωτερική μονάδα, αποσυναρμολογήστε τους κοχλίες από την πλακέτα συντήρησης και αφαιρέστε τον πίνακα προστασίας. (Βλέπε Εικ. 7.1)



Εικ. 7.1

3. Συνδέστε τα κως στις υποδοχές
Ταιριάξτε τα χρώματα / ετικέτες των καλωδίων με τις ετικέτες στην κλεμοσειρά και βιδώστε καλά τον ακροδέκτη κως του κάθε καλωδίου με την αντίστοιχη υποδοχή.
4. Στερεώστε το καλώδιο με τον σφιγκτήρα καλωδίου.
5. Μονώστε τα καλώδια που δεν έχουν χρησιμοποιηθεί με μονωτική ταινία. Φροντίστε τα καλώδια να βρίσκονται μακριά από ηλεκτρολογικά μέρη ή μεταλλικά εξαρτήματα.
6. Επανατοποθετήστε το κάλυμμα του κιβωτίου ηλεκτρολογικού ελέγχου.



- 1 Έλεγχος Πάνελ
- 2 Διάγραμμα συνδεσμολογίας
- 3 Τροφοδοσία ακροδεκτών
- 4 Σφιγκτήρας για την καλωδίωση
- 5 Καλωδίωση μεταξύ μονάδων
- 6 Πλαστικό κάλυμμα
- 7 Clamp (του εμπορίου)

Καλωδίωση εσωτερικής μονάδας

1. Προετοιμάστε το καλώδιο για τη σύνδεση
 - α. Με απογυμνωτή καλωδίων βγάλτε την ελαστική μόνωση από τα δύο άκρα του καλωδίου μήκους για να αποκαλυφθούν περίπου 15cm (5.9") από τα καλώδια που περιέχει.
 - β. Κόψτε τη μόνωση από τα άκρα των συρμάτων.
 - γ. Χρησιμοποιώντας πρέσα για καλώδια, συμπιέστε τους ακροδέκτες κως στα άκρα των καλωδίων.
2. Ανοίξτε τον εμπρόσθιο πίνακα της εσωτερικής μονάδας. Χρησιμοποιώντας κατσαβίδι, αφαιρέστε το κάλυμμα του κιβωτίου ηλεκτρολογικού ελέγχου στην εσωτερική μονάδα σας.
3. Περάστε το καλώδιο ρεύματος και το καλώδιο σήματος από την δίοδο του καλωδίου.
4. Συνδέστε τα κως στις υποδοχές.
Ταιριάξτε τα χρώματα / ετικέτες των καλωδίων με τις ετικέτες στην κλεμοσειρά και βιδώστε

καλά τον ακροδέκτη κως του κάθε καλωδίου με την αντίστοιχη υποδοχή. Συμβουλευθείτε τον Αριθμό Σειράς και το Διάγραμμα Συνδεσμολογίας που βρίσκεται στο κάλυμμα του κιβωτίου ελέγχου.

ΠΡΟΣΟΧΗ

- Κατά τη σύνδεση των καλωδίων, να τηρείτε αυστηρά το διάγραμμα συνδεσμολογίας.
 - Το κύκλωμα ψυκτικού ενδέχεται να αναπτύξει πολύ υψηλή θερμοκρασία. Το καλώδιο διασύνδεσης θα πρέπει να βρίσκεται μακριά από το χαλκοσωλήνα.
5. Στερεώστε το καλώδιο με τον προκαθορισμένο σφιγκτήρα καλωδίου. Το καλώδιο δεν πρέπει να είναι χαλαρό και ούτε να πιέζει τους ακροδέκτες κως.
 6. Επανατοποθετήστε το κάλυμμα του κιβωτίου ηλεκτρολογικού ελέγχου και τη μάσκα της εσωτερικής μονάδας.

Προδιαγραφές Παροχής Εσωτερικής Μονάδας

Μοντέλο (Btu/h)		≤18K	19K~24K	25K~36K	37K~50K	60K
Παροχή	Φάση	1 Φάση	1 Φάση	1 Φάση	1 Φάση	1 Φάση
	Τάση	208-240V	208-240V	208-240V	208-240V	208-240V
Διακόπτης αποκοπής / Ασφάλεια		25/20	32/25	50/40	70/55	70/60

Μοντέλο (Btu/h)		≤36K	37K~60K	≤36K	37K~60K
Παροχή	Φάση	3 Φάσεις	3 Φάσεις	3 Φάσεις	3 Φάσεις
	Τάση	380-420V	380-420V	208-240V	208-240V
Διακόπτης αποκοπής / Ασφάλεια		25/20	32/25	32/25	45/35

Προδιαγραφές Παροχής Εξωτερικής Μονάδας

Μοντέλο (Btu/h)		≤18K	19K~24K	25K~36K	37K~50K	50K~60K
Παροχή	Φάση	1 Φάση	1 Φάση	1 Φάση	1 Φάση	3 Φάσεις
	Τάση	208-240V	208-240V	208-240V	208-240V	380-420V
Διακόπτης αποκοπής / Ασφάλεια		25/20	32/25	50/40	70/55	45/35

Μοντέλο (Btu/h)		≤36K	37K~60K	≤36K	37K~60K
Παροχή	Φάση	3 Φάσεις	3 Φάσεις	3 Φάσεις	3 Φάσεις
	Τάση	380-420V	380-420V	208-240V	208-240V
Διακόπτης αποκοπής / Ασφάλεια		25/20	32/25	32/25	45/35

Independent Power Supply Specifications

Μοντέλο (Btu/h)		≤18K	19K~24K	25K~36K	37K~48K	49K~60K
Παροχή (εσωτερική)	Φάση	1 Φάση	1 Φάση	1 Φάση	1 Φάση	1 Φάση
	Τάση	208-240V	208-240V	208-240V	208-240V	208-240V
Διακόπτης αποκοπής / Ασφάλεια (A)		15/10	15/10	15/10	15/10	15/10
Παροχή (εξωτερική)	Φάση	1 Φάση	1 Φάση	1 Φάση	1 Φάση	1 Φάση
	Τάση	208-240V	208-240V	208-240V	208-240V	208-240V
Διακόπτης αποκοπής / Ασφάλεια (A)		25/20	32/25	50/40	70/55	70/60

Μοντέλο (Btu/h)		≤36K	37K~60K	≤36K	37K~60K
Παροχή (εσωτερική)	FAZA	1 Φάση	1 Φάση	1 Φάση	1 Φάση
	VOLTAJ	208-240V	208-240V	208-240V	208-240V
Διακόπτης αποκοπής / Ασφάλεια (A)		15/10	15/10	15/10	15/10
Παροχή (εξωτερική)	FAZA	3 Φάσεις	3 Φάσεις	3 Φάσεις	3 Φάσεις
	VOLTAJ	380-420V	380-420V	208-240V	208-240V
Διακόπτης αποκοπής / Ασφάλεια (A)		25/20	32/25	32/25	45/35

Inverter Type A/C Power Specifications

Μοντέλο (Btu/h)		≤18K	19K~24K	25K~36K	37K~48K	49K~60K
Παροχή (εσωτερική)	Φάση	1 Φάση	1 Φάση	1 Φάση	1 Φάση	1 Φάση
	Τάση	220-240V	220-240V	220-240V	220-240V	220-240V
Διακόπτης αποκοπής / Ασφάλεια (A)		15/10	15/10	15/10	15/10	15/10
Παροχή (εξωτερική)	Φάση	1 Φάση	1 Φάση	1 Φάση	1 Φάση	1 Φάση
	Τάση	208-240V	208-240V	208-240V	208-240V	208-240V
Διακόπτης αποκοπής / Ασφάλεια (A)		25/20	25/20	40/30	50/40	50/40

Μοντέλο (Btu/h)		≤36K	37K~60K	≤36K	37K~60K
Παροχή (εσωτερική)	FAZA	1 Φάση	1 Φάση	1 Φάση	1 Φάση
	VOLTAJ	220-240V	220-240V	220-240V	220-240V
Διακόπτης αποκοπής / Ασφάλεια (A)		15/10	15/10	15/10	15/10
Παροχή (εξωτερική)	FAZA	3 Φάσεις	3 Φάσεις	3 Φάσεις	3 Φάσεις
	VOLTAJ	380-420V	380-420V	208-240V	208-240V
Διακόπτης αποκοπής / Ασφάλεια (A)		25/20	32/25	32/25	40/30

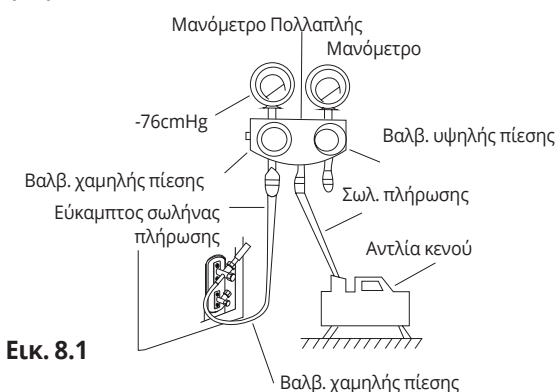
Οδηγίες ασφαλείας

! ΠΡΟΣΟΧΗ

- Χρησιμοποιήστε αντλία κενού με ένδειξη οργάνου κάτω των -0.1 MPa και ικανότητα εκκένωσης αέρα άνω των 40Λ/λεπτό.
- Η εξωτερική μονάδα δεν χρειάζεται εκκένωση. **ΜΗΝ** ανοίγετε τους διακόπτες (βαλβίδες διακοπής) αερίου και υγρού της εξωτερικής μονάδας.
- Βεβαιωθείτε ότι το όργανο δίνει ένδειξη -0.1 MPa και κάτω, μετά από 2 ώρες. Εάν μετά από τρεις ώρες λειτουργίας η ένδειξη του οργάνου είναι ακόμα άνω των -0.1 MPa , ελέγξτε εάν υπάρχει διαρροή αερίου ή νερού μέσα στο σωλήνα. Εάν δεν υπάρχει διαρροή, κάντε μια ακόμα εκκένωση για 1 ή 2 ώρες.
- ΜΗΝ** χρησιμοποιείτε ψυκτικό αέριο για την εκκένωση του συστήματος.

Οδηγίες εκκένωσης

Πριν από τη χρήση μανόμετρων πολλαπλής και αντλίας κενού, διαβάστε το εγχειρίδιο χειρισμού του κάθε οργάνου για να βεβαιωθείτε για τη σωστή χρήση τους.



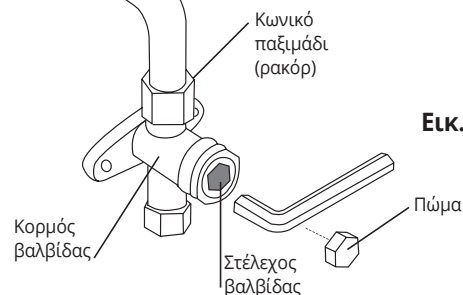
Εικ. 8.1

1. Συνδέστε το σωλήνα πλήρωσης των μανόμετρων πολλαπλής με τη θυρίδα συντήρησης στη βαλβίδα χαμηλής πίεσης της εξωτερικής μονάδας.
2. Συνδέστε το σωλήνα των μανόμετρων πολλαπλής στην αντλία κενού.
3. Ανοίξτε την πλευρά χαμηλής πίεσης της πολλαπλής μανόμετρων. Διατηρήστε κλειστή την πλευρά υψηλής πίεσης.

4. Ανοίξτε την αντλία κενού για να εκκενώσετε το σύστημα.
5. Θέστε σε λειτουργία κενού για τουλάχιστον 15 λεπτά, ή μέχρι να εμφανιστεί η ένδειξη -76 cmHg ($-1 \times 10^5 \text{ Pa}$) στο σύνθετο όργανο.
6. Κλείστε τη βαλβίδα χαμηλής πίεσης των μανομέτρων πολλαπλής και κλείστε την αντλία κενού.
7. Περιμένετε 5 λεπτά, στη συνέχεια βεβαιωθείτε ότι δεν μεταβάλλεται η πίεση του συστήματος.

ΣΗΜΕΙΩΣΗ: Εάν δεν υπάρχει μεταβολή της πίεσης του συστήματος, ξεβιδώστε το καπάκι της βαλβίδας υψηλής πίεσης. Εάν υπάρχει μεταβολή της πίεσης, ενδέχεται να υπάρχει διαρροή αερίου

8. Εισαγάγετε εξαγωνικό κλειδί στη βαλβίδα υψηλής πίεσης και ανοίξτε τη βαλβίδα στρέφοντας το κλειδί αριστερόστροφα κατά $1/4$ της στροφής. Παρατηρήστε την εκκένωση του αερίου από το σύστημα και στη συνέχεια, μετά από 5 δευτερόλεπτα, κλείστε τη βαλβίδα.



Εικ. 8.2

9. Παρατηρήστε το Μανόμετρο για ένα λεπτό ώστε να βεβαιωθείτε ότι δεν αλλάζει η ένδειξη της πίεσης. Το μανόμετρο θα πρέπει να έχει ένδειξη ελαφρά υψηλότερη από την ατμοσφαιρική πίεση.
10. Αφαιρέστε τον εύκαμπτο σωλήνα πλήρωσης από τη θυρίδα συντήρησης.
11. Με πολύγωνο κλειδί, ανοίξτε τελείως και τις δύο βαλβίδες, χαμηλής και υψηλής πίεσης.

ΑΝΟΙΞΤΕ ΟΜΑΛΑ ΤΑ ΣΤΕΛΕΧΗ ΤΩΝ ΒΑΛΒΙΔΩΝ

Όταν ανοίγετε τα στελέχη των βαλβίδων, γυρίστε το εξαγωνικό κλειδί μέχρι να ακουμπήσει στο τέρμα (στοπ). **ΜΗΝ** επιχειρήσετε να ζορίσετε τη βαλβίδα να ανοίξει ακόμα περισσότερο.

12. Σφίξτε τα πώματα των βαλβίδων με το χέρι και στη συνέχεια σφίξτε τα με το κατάλληλο εργαλείο.

Σημείωση για την προσθήκη ψυκτικού μέσου

ΠΡΟΣΟΧΗ

- Η πλήρωση με ψυκτικό θα πρέπει να γίνεται μετά τη συνδεσμολογία, τη διοχέτευση κενού και τη δοκιμή για διαρροές.
- **ΜΗΝ** υπερβαίνετε τη μέγιστη επιτρεπόμενη ποσότητα ψυκτικού και μην υπερφορτώνετε το σύστημα. Κάτι τέτοιο μπορεί να προκαλέσει βλάβη στη μονάδα ή να επηρεάσει την καλή λειτουργία της.
- Η πλήρωση με ακατάλληλες ουσίες μπορεί να προκαλέσει εκρήξεις ή ατυχήματα. Βεβαιωθείτε ότι χρησιμοποιείται το κατάλληλο ψυκτικό.
- Τα δοχεία του ψυκτικού θα πρέπει να ανοίγονται αργά. Πάντα να χρησιμοποιείτε προστατευτικό εξοπλισμό κατά την πλήρωση του συστήματος.
- **ΜΗΝ** αναμιγνύετε ανόμοιους τύπους ψυκτικών.
- Για το μοντέλο με ψυκτικό R290 ή R32, φροντίστε οι συνθήκες εντός του χώρου να έχουν καταστεί ασφαλείς, με τον έλεγχο του εύφλεκτου υλικού, κατά την προσθήκη ψυκτικού στο κλιματιστικό.

Κάποια συστήματα χρειάζονται πρόσθετη φόρτιση ανάλογα με το μήκος των σωλήνων. Το τυπικό μήκος σωληνώσεων ποικίλλει ανάλογα με τους κατά τόπους κανονισμούς. Για παράδειγμα, στη Βόρεια Αμερική, το τυπικό μήκος σωληνώσης είναι 7,5m (25'). Σε άλλες περιοχές, το τυπικό μήκος σωληνώσης είναι 5m (16'). Το πρόσθετο ψυκτικό που πρέπει να πληρωθεί, μπορεί να υπολογιστεί χρησιμοποιώντας τον παρακάτω τύπο:

Διάμετρος πλευράς υγρού

	φ6.35(1/4")	φ9.52(3/8")	φ12.7(1/2")
R32 :	(Συνολικό μήκος σωληνώσης -τυπικό μήκος σωληνώσης) x 12g(0.13oz)/m(ft)	(Συνολικό μήκος σωληνώσης -τυπικό μήκος σωληνώσης) x 24g(0.26oz)/m(ft)	(Συνολικό μήκος σωληνώσης -τυπικό μήκος σωληνώσης) x 40g(0.42oz)/m(ft)

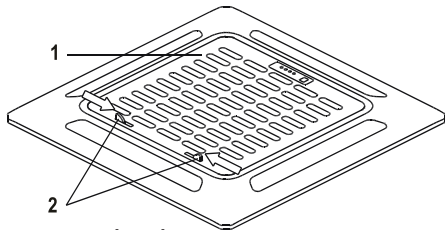
ΠΡΟΣΟΧΗ

ΜΗΝ τοποθετείτε το πάνελ με την όψη του προς το δάπεδο, επάνω σε τοίχο ή σε ακανόνιστες επιφάνειες.

Μοντέλα: V7CRI-12WiFIR, V7CRI-18WiFIR

Βήμα 1: Αφαιρέστε τη εμπρόσθια γρίλια.

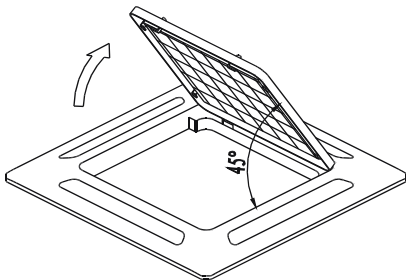
1. Πιέστε και τις δύο γλωττίδες ταυτόχρονα προς το μέσον για να ξεκλειδώσετε το γάντζο της γρίλιας.



1 Εσωτερικό Πάνελ
2 Γάντζος

Εικ. 9.1

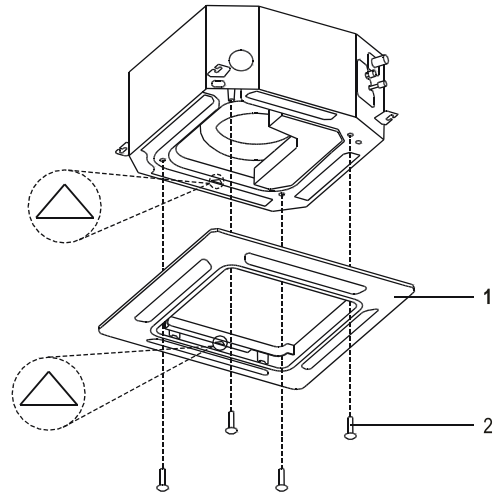
2. Κρατήστε τη γρίλια σε μια γωνία 45°, ανασηκώστε ελαφρά και αφαιρέστε το από το κύριο σώμα.



Εικ. 9.2

Βήμα 2: Τοποθέτηση του πάνελ

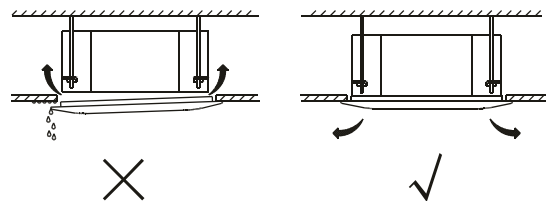
Ευθυγραμμίστε το εμπρός πάνελ με τον κύριο κορμό, λαμβάνοντας υπόψη τη θέση των πλευρών των σωληνώσεων και της αποχέτευσης. Κρεμάστε τα τέσσερα μάνδαλα του πάνελ από τους γάντζους της εσωτερικής μονάδας. Σφίξτε τις βίδες αγκίστρωσης του πάνελ ομοιόμορφα από τις τέσσερις γωνίες.



1 Πάνελ
2 Βίδες (M5)

Εικ. 9.3

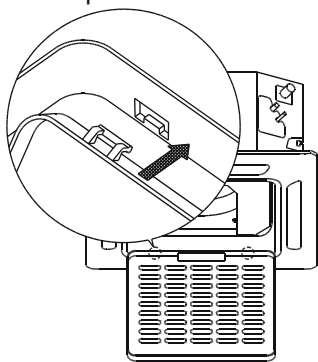
Μετά την τοποθέτηση του πάνελ, εξασφαλίστε ότι δεν υπάρχει χώρος μεταξύ της μονάδας και του πάνελ. Διαφορετικά, αέρας μπορεί να διαρρεύσει μέσα από το κενό και την αιτία Δροσοσταλίδα. (Δείτε σχήμα παρακάτω).



Εικ. 9.4

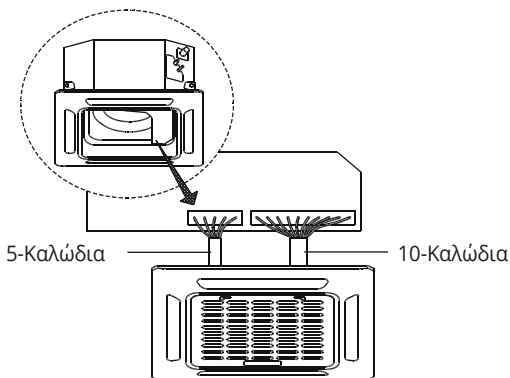
Βήμα 3: Τοποθετήστε τη γρίλια εισαγωγής.

Βεβαιωθείτε ότι η μάσκα στο πίσω μέρος έχει τοποθετηθεί σωστά.



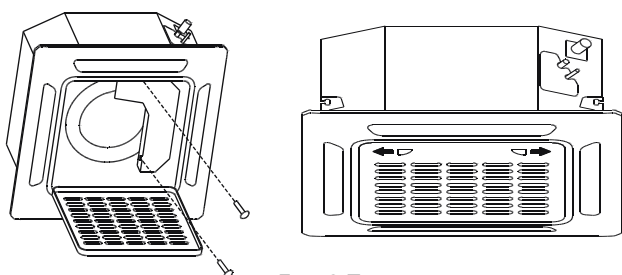
Εικ. 9.5

Βήμα 4: Συνδέστε τα 2 καλώδια του πίνακα στη πλακέτα της μονάδας.



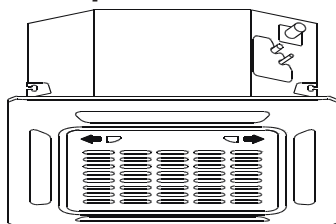
Εικ. 9.6

Βήμα 5: Σφίξτε τις 2 βίδες στο καπάκι του κιβωτίου ελέγχου.



Εικ. 9.7

Βήμα 6: Κλείστε τη γρίλια εισαγωγής και τους 2 γάντζους.

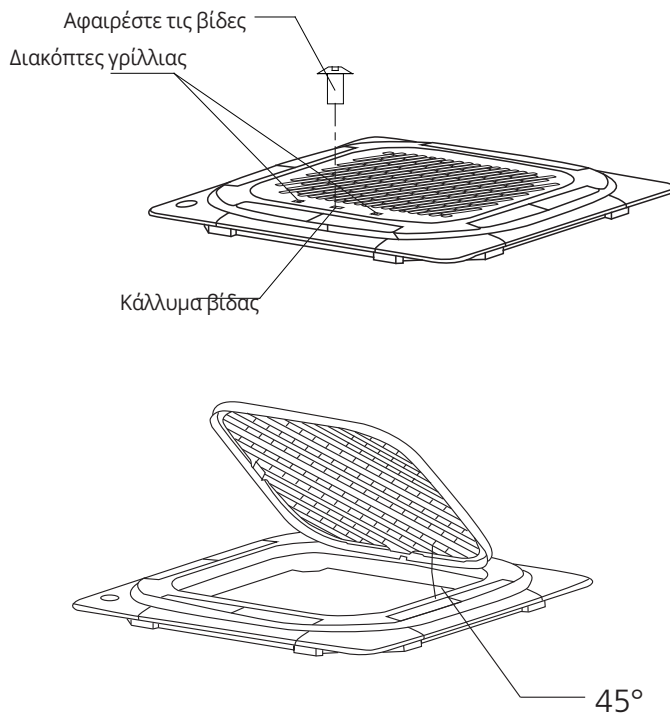


Εικ. 9.8

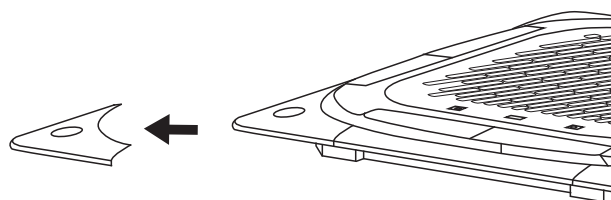
Μοντέλα: V7CI-24WiFIR/U7RS-24,
V7CI-36WiFIR/U7RS-36, V7CI-42WiFIR/U7RS-42,
V7CI-50WiFIR/U7RT-50, V7CI-60WiFIR/U7RT-60

Βήμα 1: Αφαιρέστε τη εμπρόσθια γρίλια.

1. Πιέστε και τις δύο γλωττίδες ταυτόχρονα προς το μέσον για να ξεκλειδώσετε το γάντζο της γρίλιας
2. Κρατήστε την γρίλια σε γωνία 45 μοιρών ανασηκώστε την απαλά και αφαιρέστε την από το κυρίως σώμα.



Βήμα 2: Αφαιρέστε τα γωνιακά καπάκια τραβώντας τα προς τα έξω.

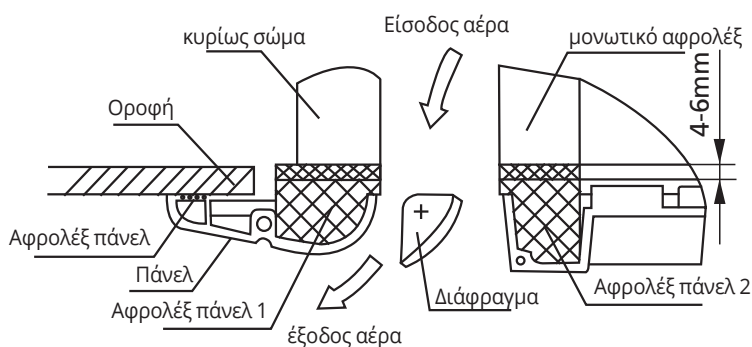
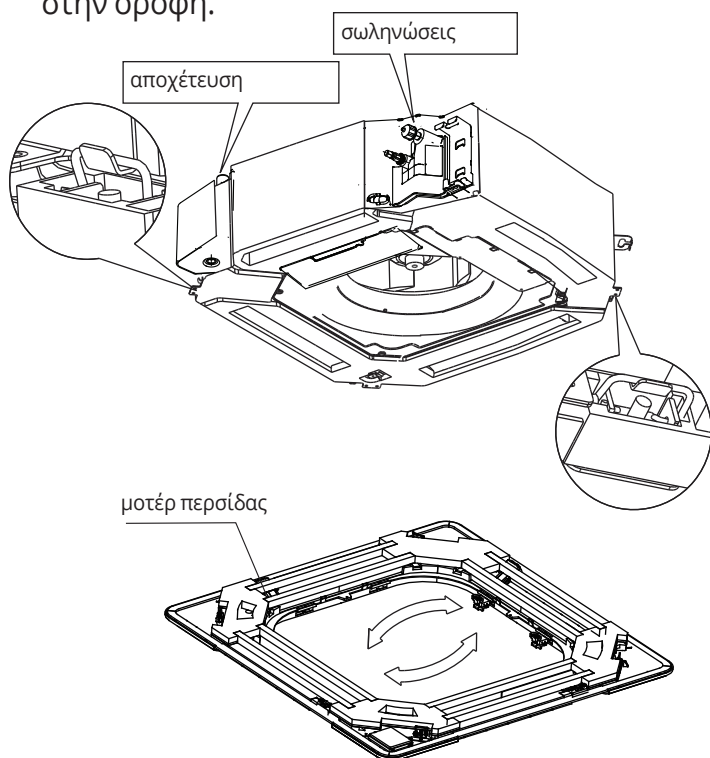


Βήμα 3: Τοποθέτηση του πάνελ.

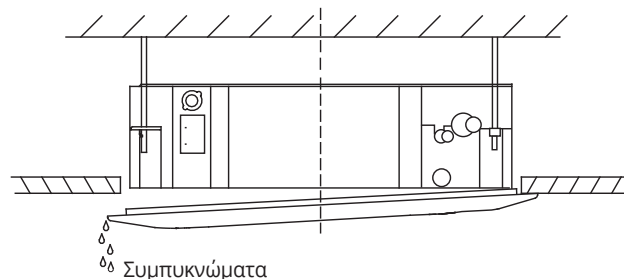
Ευθυγραμμίστε το εμπρός πάνελ με τον κύριο κορμό, λαμβάνοντας υπόψη τη θέση των πλευρών των σωληνώσεων και της αποχέτευσης. Κρεμάστε τα τέσσερα μάνδαλα του πάνελ από τους γάντζους της εσωτερικής μονάδας. Σφίξτε τις βίδες αγκίστρωσης του πάνελ ομοιόμορφα από τις τέσσερις γωνίες.

ΣΗΜΕΙΩΣΗ: Συσφίξτε τις βίδες έως ότου το πάχος του σφουγγαριού αναμεσα στο σώμα και το πάνελ να μειωθεί στα 4-6mm (0.2-0.3"). Η άκρη του πάνελ θα πρέπει να έρχεται σε επαφή με την οροφή.

Προσαρμόστε το πάνελ σύμφωνα με την εικόνα ώστε να μην υπάρχει ακάλυπτο κενό στην οροφή.

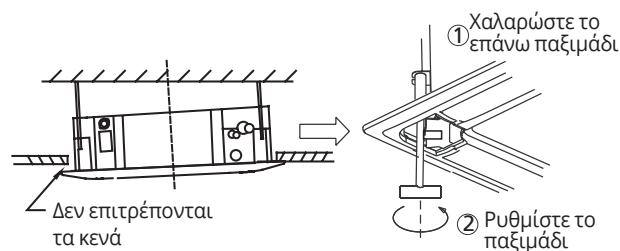


ΣΗΜΕΙΩΣΗ: Σε περίπτωση που το ύψος τοποθέτησης θα πρέπει να ρυθμιστεί, μπορείτε να το ρυθμίσετε από τις 4 γωνίες του πάνελ. Σιγουρευτείτε ότι η ρύθμιση δεν θα επιρρεάσει την καλωδίωση και τις σωληνώσεις.



⚠️ ΠΡΟΣΟΧΗ

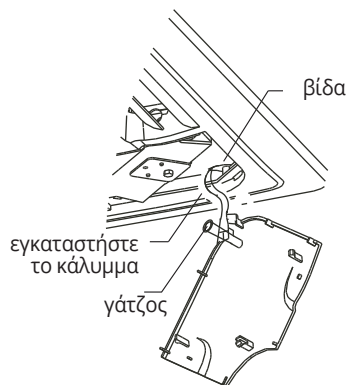
Εσφαλμένη σύσφιξη μπορεί να οδηγήσει σε διαρροή νερού.



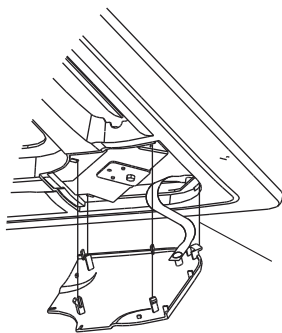
⚠️ ΠΡΟΣΟΧΗ

Στην περίπτωση που η μονάδα δεν έχει τοποθετηθεί σωστά και υπάρχει κενό, το ύψος τοποθέτησης θα πρέπει να ρυθμιστεί για την ορθή λειτουργία. Το ύψος μπορεί να ρυθμιστεί χαλαρώνοντας το επάνω παξιμάδι και ρυθμίζοντας το κάτω παξιμάδι.

Κρεμάστε τη γρίλια εισαγωγής στο πάνελ και στη συνέχεια συνδέστε τους συνδέσμους καλωδίων της περσίδας και του κουτιού ελέγχου στον πίνακα με τον συνδέσμους του κύριου σώματος.



Τοποθετήστε ξανά στο πλέγμα.
Τοποθετήστε ξανά το κάλυμμα.
Στερεώστε το κάλυμμα στον στύλο του καλύμματος και πιέστε απαλά το κάλυμμα στο πάνελ.



Κατά την εγκατάσταση του καλύμματος, σύρετε τους τέσσερις συνδετήρες στους αντίστοιχους υποδοχείς του πίνακα.

ΣΗΜΕΙΩΣΗ: Μετά την εγκατάσταση, τα βύσματα για την οθόνη, τις περσίδες, την αντλία νερού και τα καλώδια πρέπει να τοποθετηθούν στο ηλεκτρικό έλεγχο κουτί.

Πριν από τη δοκιμαστική λειτουργία

Θα πρέπει να πραγματοποιηθεί δοκιμαστική λειτουργία μετά την πλήρη εγκατάσταση ολόκληρου του συστήματος. Επιβεβαιώστε τα παρακάτω σημεία πριν από την πραγματοποίηση της δοκιμής:

- α) Οι εσωτερικές και εξωτερικές μονάδες έχουν εγκατασταθεί σωστά.
- β) Οι σωληνώσεις και η καλωδίωση έχουν συνδεθεί σωστά.
- γ) Φροντίστε να μην υπάρχουν εμπόδια κοντά στα στόμια εισόδου και εξόδου της μονάδας που θα μπορούσαν να μειώσουν την απόδοσή της ή να προκαλέσουν δυσλειτουργία.
- δ) Το ψυκτικό σύστημα δεν παρουσιάζει διαρροή.
- ε) Το σύστημα αποχέτευσης δεν φράσσεται και η αποχέτευση γίνεται σε ασφαλές σημείο.
- στ) Η θερμομόνωση έχει τοποθετηθεί σωστά.
- ζ) Τα καλώδια γείωσης είναι σωστά συνδεδεμένα.
- η) Το μήκος των σωληνώσεων και η πρόσθετη χωρητικότητα αποθήκευσης ψυκτικού έχουν καταγραφεί.
- θ) Η τάση του ρεύματος είναι σωστή για το κλιματιστικό μηχάνημα.

ΠΡΟΣΟΧΗ

Αμέλεια εκτέλεσης της δοκιμαστικής λειτουργίας μπορεί να συντελέσει σε ζημιά της μονάδας, υλική ζημιά ή ατομικό τραυματισμό.

Οδηγίες δοκιμαστικής λειτουργίας

1. Ανοίξτε τους διακόπτες (βαλβίδες διακοπής) υγρού και αερίου.
2. Ανοίξτε το γενικό διακόπτη ρεύματος και αφήστε τη μονάδα να προθερμανθεί.
3. Θέστε το κλιματιστικό σε λειτουργία COOL (ψύξη).
4. Για την Εσωτερική Μονάδα
 - α. Βεβαιωθείτε ότι το τηλεχειριστήριο και τα πλήκτρα του λειτουργούν σωστά.
 - β. Βεβαιωθείτε ότι οι περσίδες κινούνται σωστά και η λειτουργία τους μπορεί να αλλάξει από το τηλεχειριστήριο.
 - γ. Ελέγξτε σχολαστικά εάν η θερμοκρασία δωματίου καταγράφεται σωστά.

- δ. Βεβαιωθείτε ότι οι ενδείξεις στο τηλεχειριστήριο και τον πίνακα ενδείξεων της εσωτερικής μονάδας, λειτουργούν σωστά.
 - ε. Βεβαιωθείτε ότι τα πλήκτρα επάνω στην εσωτερική μονάδα λειτουργούν σωστά.
 - στ. Βεβαιωθείτε ότι το σύστημα αποχέτευσης δεν φράσσεται και η αποχέτευση εκτελείται ομαλά.
 - ζ. Βεβαιωθείτε ότι δεν αναπτύσσονται κραδασμοί ή ασυνήθιστος θόρυβος κατά τη λειτουργία.
5. Για την Εξωτερική Μονάδα
- α. Ελέγξτε το ψυκτικό σύστημα για τυχόν διαρροές.
 - β. Βεβαιωθείτε ότι δεν αναπτύσσονται κραδασμοί ή ασυνήθιστος θόρυβος κατά τη λειτουργία.
 - γ. Φροντίστε ο αέρας, ο θόρυβος και το νερό που εκλύεται από τη μονάδα να μην ενοχλούν τους γείτονες, ούτε και να ενέχουν κινδύνους ασφαλείας.
6. Δοκιμή αποχέτευσης
- α. Βεβαιωθείτε ότι ο σωλήνας αποχέτευσης έχει ομαλή ροή. Στα νέα κτίρια αυτή η δοκιμή θα πρέπει να εκτελείται πριν από το τελείωμα του ταβανιού.
 - β. Αφαιρέστε το κάλυμμα ελέγχου. Προσθέστε 2.000ml νερό στη δεξαμενή διαμέσου του προσαρτημένου σωλήνα.
 - γ. Ενεργοποιήστε το γενικό διακόπτη ρεύματος και θέστε σε λειτουργία το κλιματιστικό μηχάνημα σε ψύξη (COOL).
 - δ. Ακροαστείτε την αντλία συμπυκνωμάτων για τυχόν ασυνήθιστους θορύβους.
 - ε. Βεβαιωθείτε ότι γίνεται εκκένωση του νερού. Ενδέχεται να χρειαστεί μέχρι ένα λεπτό πριν αρχίσει η αποχέτευση της μονάδας, ανάλογα με το σωλήνα αποχέτευσης.
 - στ. Βεβαιωθείτε ότι δεν υπάρχουν διαρροές σε κανένα σημείο της σωληνώσης.
 - ζ. Σταματήστε το κλιματιστικό. Σβήστε το γενικό διακόπτη ρεύματος και επανατοποθετήστε το κάλυμμα δοκιμών.

ΣΗΜΕΙΩΣΗ: Εάν η μονάδα δυσλειτουργεί ή δεν λειτουργεί όπως αναμένετε, συμβουλευθείτε την ενότητα Αντιμετώπιση Προβλημάτων του Εγχειριδίου χειρισμού, πριν καλέσετε την εξυπηρέτηση πελατών.

Οι χρήστες των κρατών της Ευρωπαϊκής Ένωσης θα πρέπει να απορρίψουν με τον ενδεδειγμένο τρόπο τη μονάδα. Αυτή η συσκευή περιέχει εύφλεκτο και άλλα ενδεχομένως επικίνδυνα υλικά. Κατά την διάθεση αυτής της συσκευής, προβλέπεται από το νόμο ειδική συλλογή και επεξεργασία. **ΜΗΝ** απορρίπτετε το προϊόν αυτό μαζί με τα οικιακά ή τα δημοτικά απορρίμματα.

Κατά τη διάθεση αυτής της συσκευής, έχετε τις εξής επιλογές:

- Απορρίψτε τη συσκευή σε κατάλληλη δημοτική εγκατάσταση συλλογής ηλεκτρονικών απορριμμάτων.
- Κατά την αγορά νέας συσκευής, ο έμπορος θα παραλάβει δωρεάν την παλιά συσκευή.
- Ο κατασκευαστής θα παραλάβει δωρεάν την παλιά συσκευή.
- Πουλήστε τη συσκευή σε εταιρεία διαχείρισης παλαιών μετάλλων.

ΣΗΜΕΙΩΣΗ: Η απόρριψη της συσκευής στο ύπαιθρο ή σε δασική περιοχή είναι επιβλαβής για την υγεία σας και το περιβάλλον. Υπάρχει πιθανότητα διαρροής επικίνδυνων ουσιών στα υπόγεια ύδατα και στη συνέχεια είσοδός τους στην τροφική αλυσίδα.

1. Έλεγχοι στο χώρο

Πριν από την έναρξη της εργασίας σε συστήματα που περιέχουν εύφλεκτα ψυκτικά, απαιτούνται έλεγχοι ασφαλείας για να διασφαλιστεί η ελαχιστοποίηση του κινδύνου ανάφλεξης. Για επισκευές στο ψυκτικό σύστημα, θα πρέπει να τηρούνται οι παρακάτω προφυλάξεις, πριν από τη διεξαγωγή εργασιών στο σύστημα.

2. Διαδικασία εργασίας

Οι εργασίες θα πρέπει να γίνονται με βάση ελεγχόμενη διαδικασία προκειμένου να ελαχιστοποιείται ο κίνδυνος έκλυσης εύφλεκτων αερίων ή αναθυμιάσεων κατά την εκτέλεση των εργασιών.

3. Εργασιακός χώρος γενικής φύσης

Όλο το προσωπικό συντήρησης και άλλα άτομα που εργάζονται πλησίον, θα πρέπει να έχουν ενημερωθεί για τη φύση των εργασιών που θα πραγματοποιηθούν. Η εργασία σε κλειστούς χώρους θα πρέπει να αποφεύγεται. Η περιοχή γύρω από το χώρο εργασίας θα πρέπει να αποκλειστεί. Βεβαιωθείτε ότι οι συνθήκες εντός της περιοχής είναι ασφαλείς με τον έλεγχο των εύφλεκτων υλικών.

4. Έλεγχος για τυχόν παρουσία ψυκτικού

Η περιοχή θα πρέπει να ελέγχεται με κατάλληλο ανιχνευτή ψυκτικού πριν από την εργασία και κατά τη διάρκεια αυτής, για να εξασφαλιστεί ότι ο τεχνικός γνωρίζει για την ύπαρξη πιθανώς εύφλεκτης ατμόσφαιρας. Βεβαιωθείτε ότι ο εξοπλισμός εντοπισμού διαρροών είναι κατάλληλος για χρήση με εύφλεκτα ψυκτικά, δηλαδή δεν προκαλεί σπινθήρες, είναι επαρκώς στεγανός και ασφαλής από το σχεδιασμό του.

5. Παρουσία πυροσβεστήρα

Εάν πρόκειται να πραγματοποιηθούν εργασίες εν θερμώ στον ψυκτικό εξοπλισμό ή σε παρεμφερή εξαρτήματα, θα πρέπει να υπάρχει άμεσα διαθέσιμος κατάλληλος πυροσβεστικός εξοπλισμός. Φροντίστε να υπάρχει πυροσβεστήρας ξηράς κόνεως ή CO₂ δίπλα στο σημείο πλήρωσης.

6. Απουσία πηγών ανάφλεξης

Κανένα πρόσωπο που εργάζεται σε σχέση με ψυκτικό σύστημα που περιέχει, εύφλεκτο ψυκτικό μέσο, δεν επιτρέπεται να χρησιμοποιεί πηγές ανάφλεξης με τρόπο ώστε να προκαλούν κίνδυνο πυρκαγιάς ή έκρηξης. Όλες οι πιθανές πηγές ανάφλεξης, συμπεριλαμβανομένου του καπνίσματος, θα πρέπει να βρίσκονται σε απόσταση ασφαλείας από το σημείο εγκατάστασης, επισκευής, αφαίρεσης και διάθεσης, όπου υπάρχει η πιθανότητα έκλυσης ψυκτικού στον περιβάλλοντα χώρο. Πριν από την εκτέλεση εργασιών, ο χώρος γύρω από τον εξοπλισμό θα πρέπει να επιθεωρείται για να επιβεβαιωθεί η απουσία εύφλεκτων στοιχείων ή κινδύνου ανάφλεξης. Θα πρέπει να τοποθετούνται ενδείξεις «ΜΗΝ ΚΑΠΝΙΖΕΤΕ».

7. Αεριζόμενος χώρος

Βεβαιωθείτε ότι ο χώρος είναι υπαίθριος ή αερίζεται επαρκώς πριν από επέμβαση στο σύστημα ή εκτέλεση οποιασδήποτε εργασίας εν θερμώ. Κάποιος βαθμός αερισμού θα πρέπει να εξακολουθεί να υπάρχει κατά το διάστημα εκτέλεσης της εργασίας. Ο εξαερισμός θα πρέπει να απομακρύνει με ασφάλεια το ψυκτικό που τυχόν εκλύεται και κατά προτίμηση να το αποβάλλει στην ατμόσφαιρα.

8. Έλεγχοι στον ψυκτικό εξοπλισμό

Σε περίπτωση που γίνεται αλλαγή ηλεκτρολογικών εξαρτημάτων, αυτά θα πρέπει να είναι κατάλληλα για το σκοπό που προορίζονται και κατάλληλων προδιαγραφών. Σε κάθε περίπτωση θα πρέπει να τηρούνται οι οδηγίες και υποδείξεις συντήρησης του κατασκευαστή. Εάν υπάρχει αμφιβολία, συμβουλευθείτε το τεχνικό τμήμα του κατασκευαστή.

Θα πρέπει να πραγματοποιούνται οι παρακάτω έλεγχοι σε εγκαταστάσεις όπου χρησιμοποιούνται εύφλεκτα ψυκτικά:

- το μέγεθος του φορτίου είναι ανάλογο των διαστάσεων του δωματίου μέσα στο οποίο τοποθετούνται τα εξαρτήματα που περιέχουν ψυκτικό
- το μηχάνημα και τα στόμια αερισμού λειτουργούν επαρκώς και δεν εμποδίζονται
- εάν χρησιμοποιείται έμμεσο ψυκτικό κύκλωμα, τα δευτερεύοντα κυκλώματα θα πρέπει να ελεγχθούν για την παρουσία ψυκτικού. Η σήμανση του εξοπλισμού θα πρέπει να συνεχίσει να είναι εμφανής και ευανάγνωστη
- τυχόν δυσανάγνωστες σημάνσεις και σύμβολα θα πρέπει να αποκαθίστανται
- ο σωλήνας ψυκτικού ή τα εξαρτήματά του τοποθετούνται σε θέση όπου είναι απίθανη η έκθεση τους σε οποιαδήποτε ουσία που μπορεί να προκαλέσει διάβρωση στα εξαρτήματα που περιέχουν ψυκτικό, εκτός εάν τα εξαρτήματα είναι κατασκευασμένα από υλικά από την κατασκευή τους ανθεκτικά στη διάβρωση και διαθέτουν επαρκή προστασία έναντι αυτής.

9. Έλεγχοι σε ηλεκτρικές συσκευές

Η επισκευή και συντήρηση ηλεκτρολογικών εξαρτημάτων περιλαμβάνει αρχικούς ελέγχους ασφαλείας και διαδικασίες επιθεώρησης εξαρτημάτων. Εάν υπάρχει βλάβη η οποία θα μπορούσε να αποτελέσει κίνδυνο για την ασφάλεια, καμία παροχή ρεύματος δεν πρέπει να συνδέεται στο κύκλωμα, μέχρι η βλάβη αυτή να αντιμετωπιστεί κατάλληλα. Εάν η βλάβη δεν μπορεί να διορθωθεί αμέσως αλλά είναι απαραίτητο να συνεχιστεί η λειτουργία, θα εφαρμοστεί κάποια επαρκής προσωρινή λύση. Το θέμα αυτό θα αναφερθεί στον κάτοχο του εξοπλισμού, ώστε να είναι ενήμερα όλα τα εμπλεκόμενα μέρη. Οι αρχικοί έλεγχοι ασφαλείας περιλαμβάνουν:

- την εκφόρτιση των πυκνωτών: αυτό θα πρέπει να γίνει με ασφαλή τρόπο για να αποφευχθεί η πιθανότητα σπινθήρων
- απουσία εκτεθειμένων ηλεκτρολογικών μερών και καλωδιώσεων κατά τη φόρτιση, ανάκτηση ή εκκένωση του συστήματος
- συνεχή διάθεση γείωσης

10. Επισκευές σε στεγανά εξαρτήματα

10.1 Στη διάρκεια επισκευών σε στεγανά εξαρτήματα, όλες οι παροχές ρεύματος θα πρέπει να αποσυνδέονται από τον εξοπλισμό που θα υποστεί την επέμβαση πριν από την αφαίρεση τυχόν ερμητικών καλυμμάτων κ.λπ. Εάν είναι απολύτως απαραίτητο να υπάρχει παροχή ρεύματος στον εξοπλισμό κατά τις επισκευές, θα πρέπει να υπάρχει σε συνεχή λειτουργία κάποια μορφή εντοπισμού διαρροών στο πλέον κρίσιμο σημείο για να προειδοποιήσει για δυνητικά επικίνδυνη κατάσταση.

10.2 Θα πρέπει να δίνεται ιδιαίτερη προσοχή στα παρακάτω για να εξασφαλιστεί ότι δεν πραγματοποιείται τροποποίηση του περιβλήματος κατά την εργασία σε ηλεκτρολογικά εξαρτήματα, τέτοια που να πλήττεται η στάθμη προστασίας. Αυτή περιλαμβάνει ζημιές σε καλώδια, υπερβολικό αριθμό συνδέσεων, ακροδέκτες που δεν έχουν προσαρμοστεί με βάση τις αρχικές προδιαγραφές, ζημιές σε παρεμβύσματα, εσφαλμένη τοποθέτηση στυπιοθλιπτών κ.λπ.

- Βεβαιωθείτε ότι ο εξοπλισμός έχει στερεωθεί καλά.
- Βεβαιωθείτε ότι τα παρεμβύσματα ή τα υλικά στεγανοποίησης δεν έχουν αλλοιωθεί σε βαθμό που να μην αποτρέπουν πλέον τη διείσδυση εύφλεκτων αερίων. Τα ανταλλακτικά θα πρέπει να είναι σύμφωνα με τις προδιαγραφές του κατασκευαστή.

ΣΗΜΕΙΩΣΗ: Η χρήση στεγανωτικού σιλικόνης ενδέχεται να περιορίσει την αποτελεσματικότητα κάποιων τύπων εξοπλισμού εντοπισμού διαρροών. Τα από το σχεδιασμό τους ασφαλή εξαρτήματα δεν χρειάζονται απομόνωση πριν από την εργασία σε αυτά.

11. Επισκευή σε εξαρτήματα ασφαλή από το σχεδιασμό τους

Μην εφαρμόζετε μόνιμα επαγωγικά ή χωρητικά φορτία στο κύκλωμα, χωρίς να εξασφαλίσετε ότι το τελευταίο δεν μπορεί να υπερβεί το επιτρεπόμενο επίπεδο τάσης και ρεύματος του εξοπλισμού. Τα εξαρτήματα που είναι ασφαλή από το σχεδιασμό τους, είναι τα μόνα στα οποία επιτρέπεται η εργασία ενώ είναι συνδεδεμένα στο ρεύμα, σε παρουσία εύφλεκτης ατμόσφαιρας. Η δοκιμαστική συσκευή θα πρέπει να είναι κατάλληλης ονομαστικής τιμής. Να αντικαθιστάτε εξαρτήματα μόνο με εκείνα που προβλέπονται από τον κατασκευαστή. Η χρήση άλλων εξαρτημάτων μπορεί να συντελέσει στην ανάφλεξη του ψυκτικού σε ατμόσφαιρα όπου υπάρχει διαρροή.

12. Καλωδίωση

Βεβαιωθείτε ότι η καλωδίωση δεν υπόκειται σε φθορές, διάβρωση, υπερβολική πίεση, κραδασμούς, αιχμηρές ακμές ή άλλες επιβλαβείς περιβαλλοντικές επιδράσεις. Κατά τον έλεγχο θα πρέπει να ληφθούν υπόψιν τα χρόνια λειτουργίας της μονάδας και οι διαρκείς κραδασμοί από μέρη όπως συμπιεστές ή ανεμιστήρες.

13. Ανίχνευση εύφλεκτων ψυκτικών

Σε καμία περίπτωση δεν επιτρέπεται να χρησιμοποιούνται πιθανές πηγές ανάφλεξης για την αναζήτηση ή τον εντοπισμό διαρροών ψυκτικού. Δεν επιτρέπεται να χρησιμοποιείται φακός αλογονιδίου (ή άλλος ανιχνευτής που χρησιμοποιεί γυμνή φλόγα).

14. Μέθοδοι ανίχνευσης διαρροών

Οι παρακάτω μέθοδοι εντοπισμού διαρροών θεωρούνται αποδεκτές για συστήματα που περιέχουν εύφλεκτα ψυκτικά. Θα πρέπει να χρησιμοποιούνται ηλεκτρονικοί ανιχνευτές διαρροών για την ανίχνευση εύφλεκτων ψυκτικών, αλλά η ευαισθησία τους ενδέχεται να μην είναι επαρκής ή να χρειάζονται εκ νέου διακρίβωση. (Ο εξοπλισμός ανίχνευσης θα πρέπει να διακριβώνεται σε χώρο όπου δεν υπάρχει ψυκτικό.) Βεβαιωθείτε ότι ο ανιχνευτής δεν αποτελεί πιθανή πηγή ανάφλεξης και είναι κατάλληλος για το ψυκτικό. Ο εξοπλισμός εντοπισμού διαρροών θα πρέπει να ρυθμίζεται σε ποσοστό του LFL του ψυκτικού και θα πρέπει να διακριβώνεται ως προς το χρησιμοποιούμενο ψυκτικό και να επιβεβαιώνεται το κατάλληλο ποσοστό αερίου (25% το μέγιστο). Τα υγρά εντοπισμού διαρροών είναι κατάλληλα για χρήση με τα περισσότερα ψυκτικά αλλά η χρήση απορρυπαντικών που περιέχουν χλώριο θα πρέπει να αποφευχθεί καθώς το χλώριο ενδέχεται να αντιδράσει με το ψυκτικό και να προκαλέσει διάβρωση των χαλκοσωλήνων.

Εάν υπάρχει υποψία διαρροής, απομακρύνετε ή σβήστε όλες τις γυμνές φλόγες. Εάν εντοπιστεί διαρροή ψυκτικού, η οποία να απαιτεί χαλκοκόλληση, το σύνολο του ψυκτικού θα πρέπει να ανακτάται από το σύστημα ή να απομονώνεται (μέσω βαλβίδων διακοπής) σε μέρος του συστήματος μακριά από τη διαρροή. Στη συνέχεια θα διοχετεύεται άζωτο ελεύθερο οξυγόνου (OFN) στο σύστημα, τόσο πριν από τη χαλκοκόλληση όσο και στη διάρκεια αυτής.

15. Αφαίρεση και εκκένωση

Κατά την επέμβαση στο κύκλωμα ψυκτικού για επισκευή ή για οποιονδήποτε άλλο σκοπό, θα πρέπει να εφαρμόζονται οι συμβατικές διαδικασίες. Ωστόσο, είναι σημαντικό να εφαρμόζονται οι ισχύουσες βέλτιστες πρακτικές, εφόσον ενέχεται το ζήτημα της ανάφλεξης. Θα πρέπει να εφαρμόζεται η παρακάτω διαδικασία:

- αφαίρεση ψυκτικού
- εκκαθάριση του κυκλώματος με αδρανές αέριο
- εκκένωση
- εκκαθάριση ξανά με αδρανές αέριο
- άνοιγμα του κυκλώματος με κοπή ή χαλκοκόλληση

Το φορτίο του ψυκτικού θα πρέπει να ανακτηθεί στις κατάλληλες φιάλες ανάκτησης. Το σύστημα θα πρέπει να εκκαθαρίζεται με OFN ώστε η μονάδα να είναι ασφαλής. Αυτή η διεργασία ενδέχεται να χρειαστεί να επαναληφθεί αρκετές φορές. Δεν πρέπει να χρησιμοποιείται πεπιεσμένος αέρας ή οξυγόνο για αυτή την εργασία.

Η εκκαθάριση θα πρέπει να γίνεται με τη διακοπή του κενού στο σύστημα χρησιμοποιώντας OFN και συνεχίζοντας την πλήρωση μέχρι να επιτευχθεί η πίεση λειτουργίας και στη συνέχεια η εκτόνωση στην ατμόσφαιρα και εν τέλει ο υποβιβασμός σε κενό. Αυτή η διεργασία θα πρέπει να επαναληφθεί μέχρι να μην υπάρχει καθόλου ψυκτικό στο σύστημα.

Όταν χρησιμοποιηθεί το τελικό φορτίο OFN, το σύστημα θα πρέπει να εκτονωθεί μέχρι να φτάσει στην ατμοσφαιρική πίεση, για να είναι δυνατή η εκτέλεση των εργασιών. Αυτή η εργασία είναι υψίστης σημασίας εάν πρόκειται να πραγματοποιηθούν εργασίες χαλκοκόλλησης στους αγωγούς.

Βεβαιωθείτε ότι το στόμιο εξόδου για την αντλία κενού δεν βρίσκεται κοντά σε πιθανές πηγές ανάφλεξης και ότι υπάρχει διαθέσιμος αερισμός.

16. Διαδικασίες πλήρωσης

Επιπλέον των συμβατικών διαδικασιών φόρτισης, θα πρέπει να τηρούνται οι παρακάτω απαιτήσεις:

- Φροντίστε να μην σημειώνεται ρύπανση των διαφόρων τύπων ψυκτικού, κατά τη χρήση του εξοπλισμού φόρτισης. Οι εύκαμπτοι σωλήνες ή γραμμές πρέπει να είναι όσο το δυνατόν πιο κοινές για την ελαχιστοποίηση της ποσότητας ψυκτικού που περιέχουν.
- Οι φιάλες θα πρέπει να διατηρούνται σε όρθια θέση.
- Βεβαιωθείτε ότι το ψυκτικό σύστημα είναι γειωμένο, πριν από την φόρτιση του συστήματος με ψυκτικό.
- Επισημάνετε το σύστημα όταν ολοκληρωθεί η φόρτιση (εάν δεν έχει ήδη επισημανθεί).
- Θα πρέπει να προσέχετε ιδιαίτερα ώστε να αποφεύγετε την υπερβολική πλήρωση του συστήματος.
- Πριν από την επαναπλήρωση του συστήματος, θα πραγματοποιηθεί δοκιμή πίεσεως αυτού με OFN. Το σύστημα θα ελεγχθεί για διαρροές μετά την ολοκλήρωση της φόρτισης, αλλά πριν από τη θέση σε λειτουργία. Θα πραγματοποιηθεί επαναληπτικός έλεγχος διαρροών πριν από την απομάκρυνση από την εγκατάσταση.

17. Απόσυρση από τη χρήση

Πριν από την εκτέλεση αυτής της διαδικασίας, είναι σημαντικό ο τεχνικός να είναι απολύτως εξοικειωμένος με τον εξοπλισμό σε όλες του τις λεπτομέρειες. Μια συνιστώμενη ορθή πρακτική είναι να γίνεται με ασφάλεια η ανάκτηση όλων των ψυκτικών. Πριν από τη διεξαγωγή αυτής της εργασίας, θα πρέπει να ληφθεί δείγμα λαδιού και ψυκτικού.

Στην περίπτωση που απαιτείται ανάλυση πριν επαναχρησιμοποιηθεί το ανακτημένο ψυκτικό, είναι ουσιώδους σημασίας να υπάρχει διαθέσιμο ηλεκτρικό ρεύμα πριν από την έναρξη της εργασίας.

α) Εξοικειωθείτε με τον εξοπλισμό και τη λειτουργία του.

β) Απομονώστε το σύστημα από το ρεύμα.

γ) Πριν επιχειρήσετε τη διαδικασία βεβαιωθείτε ότι:

- υπάρχει διαθέσιμος μηχανικός εξοπλισμός διακίνησης, εάν χρειάζεται, για το χειρισμό φιαλών ψυκτικού
- είναι διαθέσιμα όλα τα μέσα ατομικής προστασίας και χρησιμοποιούνται σωστά
- η διαδικασία της ανάκτησης επιτηρείται συνεχώς από άτομο με τις κατάλληλες γνώσεις
- ο εξοπλισμός ανάκτησης και οι φιάλες συμμορφώνονται με τα κατάλληλα πρότυπα

- δ) Μειώστε την πίεση στο σύστημα ψυκτικού με άντληση, αν είναι δυνατόν.
- ε) Εάν δεν είναι δυνατόν να αναπτυχθεί κενό, δημιουργήστε μια πολλαπλή έτσι ώστε το ψυκτικό να μπορεί να αφαιρεθεί από τα διάφορα μέρη του συστήματος.
- στ) Βεβαιωθείτε ότι ο κύλινδρος βρίσκεται επάνω σε ζυγό, πριν από τη διεξαγωγή της ανάκτησης.
- ζ) Ξεκινήστε τη συσκευή ανάκτησης και χρησιμοποιήστε την σύμφωνα με τις οδηγίες του κατασκευαστή.
- η) Μην γεμίζετε υπερβολικά τις φιάλες. (όχι περισσότερο από το 80% του υγρού φορτίου κατ' όγκο).
- θ) Μην ξεπερνάτε τη μέγιστη πίεση λειτουργίας της φιάλης, έστω και προσωρινά.
- ι) Όταν οι φιάλες έχουν γεμίσει σωστά και η διεργασία έχει ολοκληρωθεί, βεβαιωθείτε ότι οι φιάλες και ο εξοπλισμός απομακρύνονται αμέσως από την περιοχή και όλες οι απομονωτικές βαλβίδες επί του εξοπλισμού είναι κλειστές.
- ια) Το ανακτημένο ψυκτικό δεν πρέπει να τοποθετείται μέσα σε άλλο σύστημα ψύξης, παρά μόνο εφόσον προηγουμένως καθαριστεί και ελεγχθεί.

18. Επισήμανση

Ο εξοπλισμός θα πρέπει να επισημαίνεται έτσι ώστε να υποδηλώνεται ότι έχει τεθεί εκτός χρήσης και ότι έχει αδειάσει το ψυκτικό από αυτόν. Η σχετική ετικέτα πρέπει να φέρει ημερομηνία και υπογραφή. Βεβαιωθείτε ότι υπάρχουν ετικέτες στον εξοπλισμό που να δηλώνουν ότι ο εξοπλισμός περιέχει εύφλεκτο ψυκτικό.

19. Ανάκτηση

- Κατά την αφαίρεση του ψυκτικού από ένα σύστημα, είτε για συντήρηση ή για απόσυρση από τη χρήση, συνιστάται να πραγματοποιείται με ασφάλεια η απομάκρυνση όλων των ψυκτικών.
- Κατά τη μεταφορά ψυκτικού σε φιάλες, φροντίστε να χρησιμοποιούνται μόνο κατάλληλες φιάλες ανάκτησης ψυκτικού. Βεβαιωθείτε ότι είναι διαθέσιμος ο κατάλληλος αριθμός φιαλών για την αποθήκευση του συνολικού φορτίου του συστήματος. Όλες οι φιάλες που θα χρησιμοποιηθούν, είναι κατάλληλων προδιαγραφών για το ανακτημένο ψυκτικό και έχουν επισήμανση για αυτό το ψυκτικό (δηλ. ειδικές φιάλες ανάκτησης ψυκτικού). Οι φιάλες θα πρέπει να είναι πλήρεις με βαλβίδα εκτόνωσης πίεσης και συναφείς βαλβίδες διακοπής σε καλή κατάσταση.
- Οι άδειες φιάλες ανάκτησης εκκενώνονται και, αν είναι δυνατόν, ψύχονται πριν πραγματοποιηθεί η ανάκτηση.
- Ο εξοπλισμός ανάκτησης πρέπει να είναι σε καλή κατάσταση λειτουργίας με ένα σύνολο από οδηγίες όσον αφορά στο συγκεκριμένο εξοπλισμό. Θα πρέπει να είναι κατάλληλος για την ανάκτηση εύφλεκτων ψυκτικών μέσων. Επιπλέον, θα υπάρχει διαθέσιμο ένα συγκρότημα από βαθμονομημένους ζυγούς οι οποίοι θα είναι σε καλή κατάσταση λειτουργίας.
- Οι εύκαμπτοι σωλήνες θα είναι πλήρεις με συνδέσμους απομόνωσης ασφαλείας έναντι διαρροών και σε καλή κατάσταση. Πριν από τη χρήση της συσκευής ανάκτησης, βεβαιωθείτε ότι είναι σε ικανοποιητική κατάσταση λειτουργίας, συντηρείται σωστά και τα συναφή ηλεκτρολογικά μέρη είναι στεγανά, για την αποφυγή ανάφλεξης στην περίπτωση έκλυσης ψυκτικού. Συνεννοηθείτε με τον κατασκευαστή εάν έχετε αμφιβολία.
- Το ανακτημένο ψυκτικό θα πρέπει να επιστραφεί στον προμηθευτή του ψυκτικού, εντός της σωστής φιάλης ανάκτησης και να φροντίσετε να υπάρχει το σχετικό παραστατικό (Δελτίο μεταφοράς απορριμμάτων). Μην αναμιγνύετε διαφορετικά ψυκτικά στις μονάδες ανάκτησης, ιδιαίτερα μέσα στις φιάλες.
- Εάν πρόκειται να αφαιρεθούν συμπιεστές ή έλαια συμπιεστών, βεβαιωθείτε ότι έχουν εκκενωθεί σε αποδεκτό βαθμό, προκειμένου να εξασφαλιστεί ότι δεν έχει απομείνει εύφλεκτο ψυκτικό μέσα στο λιπαντικό. Η διαδικασία της εκκένωσης θα πρέπει να πραγματοποιείται πριν από την επιστροφή του συμπιεστή στους προμηθευτές. Για την επιτάχυνση αυτής της διεργασίας, μπορεί να χρησιμοποιείται μόνο ηλεκτρική θέρμανση στον κορμό του συμπιεστή. Κατά την αποστράγγιση λαδιού από ένα σύστημα, αυτή θα πρέπει να γίνεται με ασφαλή τρόπο.

20. Μεταφορά, επισήμανση και αποθήκευση μονάδων

1. Μεταφορά εξοπλισμού που περιέχει εύφλεκτα ψυκτικά
Συμμόρφωση με τους κανονισμούς μεταφοράς
2. Σήμανση του εξοπλισμού με πινακίδες
Συμμόρφωση με τους τοπικούς κανονισμούς
3. Διάθεση εξοπλισμού που χρησιμοποιεί εύφλεκτα ψυκτικά
Συμμόρφωση με τους εθνικούς κανονισμούς
4. Αποθήκευση εξοπλισμού / συσκευών
Η αποθήκευση του εξοπλισμού θα πρέπει να συμμορφώνεται με τις οδηγίες του κατασκευαστή.
5. Αποθήκευση συσκευασμένου εξοπλισμού (που δεν έχει ακόμα πουληθεί)
Ο σκελετός προστασίας για την αποθήκευση θα πρέπει να είναι κατασκευασμένος έτσι ώστε να μην είναι δυνατή η διαρροή του φορτίου ψυκτικού λόγω μηχανικής βλάβης του εξοπλισμού εντός της συσκευασίας. Ο μέγιστος αριθμός τεμαχίων εξοπλισμού που επιτρέπεται να αποθηκεύονται στο ίδιο σύνολο, ορίζεται από τους τοπικούς κανονισμούς.

Όλες οι εικόνες στο παρόν εγχειρίδιο εξυπηρετούν επεξηγηματικούς σκοπούς. Το προϊόν που προμηθευτήκατε μπορεί να εμφανίζει ορισμένες διαφορές ως προς το σχήμα, ωστόσο οι λειτουργίες και τα χαρακτηριστικά παραμένουν ίδια. Η εταιρεία δεν φέρει ευθύνη για τυχόν τυπογραφικά λάθη. Ο σχεδιασμός και οι προδιαγραφές του προϊόντος μπορεί να τροποποιηθούν χωρίς προηγούμενη ειδοποίηση με σκοπό τη βελτίωση των προϊόντων. Για λεπτομέρειες, απευθυνθείτε στον κατασκευαστή στο 211 300 3300 ή στον αντιπρόσωπο. Τυχόν ενημερώσεις του εγχειρίδιου θα αναρτηθούν στην ιστοσελίδα του κατασκευαστή, παρακαλούμε να ελέγξετε για την πιο πρόσφατη έκδοση.



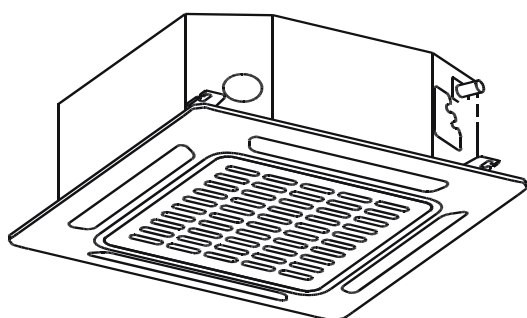
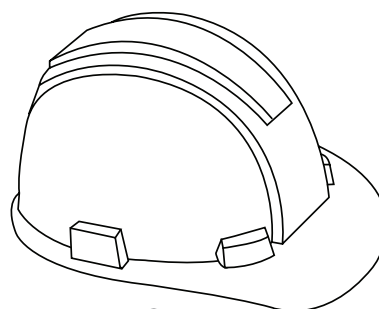
Σαρώστε εδώ για να κατεβάσετε την τελευταία έκδοση του εγχειριδίου.
www.inventoraircondition.gr/media-library

Cuprins

Manual instalare

1 Masuri de siguranta 04

2 Accesorii 10



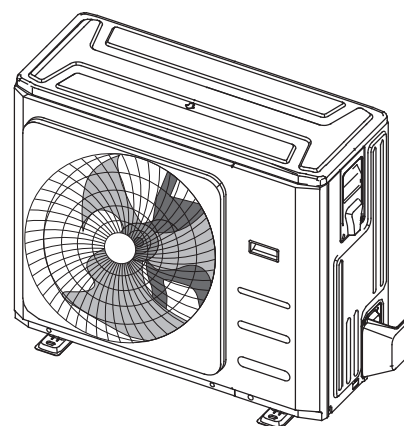
3 Instalarea unitatii interioare..... 12
Componentele unitatii interioare 12
Instructiuni pentru instalarea unitatii
interioare 13

4 Instalarea unitatii exterioare..... 18

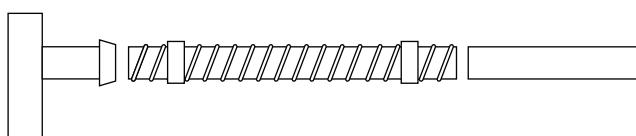
Instructiuni pentru instalarea unitatii
exterioare 18

Caracteristicile unitatii exterioare 20

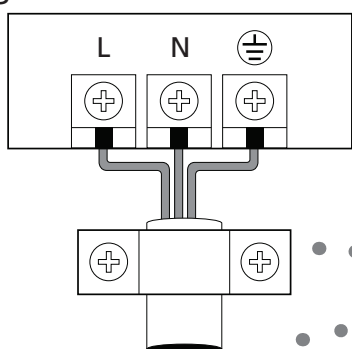
Informatii cu privire la strapungerea
peretului 20



5 Instalarea conductei de scurgere..... 21



6	Instalarea conductei pentru agentul frigorific	23
	Informatii cu privire la elevatie si lungimea conductei	23
	Instructiuni pentru conectarea conductei de refrigerant	24



7	Lucrari de conexiune a cablurilor electrice.....	27
	Cablaul unitatii exterioare	28
	Cablaul unitatii interioare	29

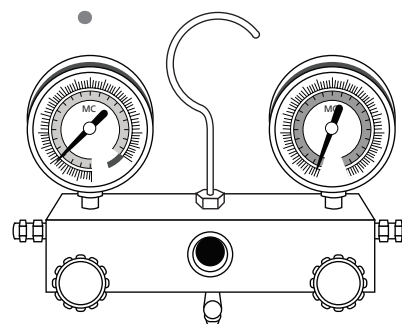
8	Vidarea instalatiei.....	31
	Instructiuni pentru vidare	31
	Note cu privire la completarea cantitatii de agent frigorific.	32

9	Instalarea panoului	33
----------	---------------------------	----

10	Testarea instalatiei.....	37
-----------	---------------------------	----

11	Directivele europene pentru eliminarea deseului.	38
-----------	---	----

12	Note informative pentru service.....	39
-----------	--------------------------------------	----



Atentie:
PERICOL DE INCENDIU
(agent frigorific R32/R290)

AVERTIZARI:

Repararea acestui aparat, vor fi facute doar de catre personal calificat, conform instructiunilor producatorului. Lucrarile de mentenanta sau reparatiile vor fi exectuate de personal calificat si sub supravegherea personalului calificat pentru lucrul cu agenti frigorifici inflamabil. Pentru mai multe detalii, va rugam sa consultati sectiunea "Informatii despre service". (Valabil doar pentru unitatile ce folosesc freon R32/R290).

Masuri de siguranta

1

Cititi aceste informatii cu privire la masurile de siguranta, inaintea instalarii. Instalarea incorecta datorata ignorarii acestor informatii, poate cauza ranirea utilizatorului sau defectarea aparatului.

Gradul pericolului de ranire este clasificat cu **AVERTIZARE** sau **ATENTIONARE**.



Ignorarea instructiunilor poate duce la deces. Aparatul va fi instalat doar respectand normele nationale si legislatia in vigoare.



Ignorarea acestor instructiuni poate duce la ranirea utilizatorului sau defectarea aparatului.



Acest simbol va indica faptul ca actiunea respectiva este strict interzisa.

AVERTIZARE

1. Cititi cu atentie aceste instructiuni inainte de instalare.
2. In anumite incaperi precum bucatariile sau incaperile pentru servere, se recomanda utilizarea aparatelor special construite pentru acest tip de incapere.
3. Asigurati-va ca instalarea si repararea acestui aparat, vor fi facute doar de catre personal calificat.
4. Instalarea necorespunzatoare a aparatului poate duce la aparitia pericolului de electrocutare, scurt-circuit, scurgeri, incendiu sau defectarea aparatului. (In America de Nord, instalarea va fi executata doar de personal autorizat NEC si CEC).
5. Respectati cu strictete instructiunile de instalare.
6. Inainte de instalare, luati in considerare impactul fenomenelor naturale precum vant puternic, taifunuri, cutremurele, etc. si alegeti locul de instalare corect. Ignorarea acestor aspecte poate duce la defectarea aparatului.
7. Acest aparat poate fi folosit de catre copii de minim 8 ani sau de catre persoane cu abilitati fizice, senzoriale sau mentale reduse, doar sub atenta supraveghere si dupa ce s-a asigurat instructajul. Copiilor nu le va fi permis sa se joace cu acest aparat. Curatarea acestui aparat nu v-a fi facuta de catre copii, fara supravegherea atenta a unui adult. (Standarde EN).
8. Nu folositi alte mijloace pentru accelerarea dezghetarii aparatului.
9. Persoanele cu capacitati fizice, senzoriale sau mentale reduse, sau fara experienta (inclusiv copii), nu pot utiliza acest aparat decat sub supraveghere atenta sau dupa ce au fost instruite. Copii vor fi supravegheati, pentru a va asigura ca nu se vor juca cu aparatul (Standard IEC).
10. Copii vor fi supravegheati, pentru a va asigura ca nu se vor juca cu aparatul (Standard IEC).
11. În cazul în care cablul de alimentare este deteriorat, acesta trebuie înlocuit de către producător, agentul său de service sau persoane calificate în mod similar, pentru a evita un pericol
12. Aparatul trebuie să fie instalat în conformitate cu reglementările naționale de cablare
13. Este necesar sa aveti un comutator de deconectare multipolar ce are o separare de contact de cel puțin 3 mm la toți polii, cu o intensitate nominala de maxim 30mA si o intensitate de

AVERTIZARE

scurgere de maxim 10mA, care va fi incorporat in cablajul X, in conformitate cu regulile de cablaj.

14. Deconectarea aparatului trebuie să fie încorporat cu un dispozitiv de deconectare multipolar în instalația electrică fixă, în conformitate cu normele de cablare
15. Persoanele care efectuează lucrări la traseul frigorific trebuie să dețină un certificat de autorizare emis de autoritățile competente.
16. Lucrările de service vor fi făcute de către personalul producătorului.
17. Lucrările de mentenanță și reparație, vor fi făcute de către alte persoane calificate, sub atenta supraveghere a persoanei autorizate pentru lucrări ce implică agenți frigorifici inflamabili.
18. Aparatul trebuie să fie depozitat astfel încât să se prevină deteriorarea mecanică de la care apar
19. Asigurați-vă ca prizele gurile de ventilare nu sunt obstructionate.
20. Nu porniți aparatul decât atunci când lucrarea a fost terminată.
21. Dacă planuiți să mutați aparatul, apălați la personal calificat.
22. În încăperi precum bucătăria, camere pentru server, etc., folosiți aparate de aer condiționat speciale pentru asemenea încăperi.
23. După înlăturarea prizei, pentru verificări, aceasta nu va fi reînaltată decât după ce s-au terminat toate verificările.
24. Dacă acest lucru nu este posibil, asigurați-vă ca alimentarea cu energie electrică este oprită de la siguranță.
25. Pentru suport la instalarea unităților, consultați secțiunea "Instalarea unității interioare" și "Instalarea unității exterioare"

Atentie

- ⊗ Pentru unitățile ce vin echipate cu siguranță auxiliara pentru încălzire, instalați unitatea la cel puțin 1 metru (3 picioare), de orice material inflamabil.
 - ⊗ Nu instalați aparatul în locații sau aproape de locații unde există gaze sau vapori combustibili. Gazele se pot acumula și pot produce explozii.
 - ⊗ Nu folosiți aparatul într-o încăpere cu umiditate crescută (baie, spălătorie, uscătorie). Pericol de deteriorare a aparatului sau socuri electrice.
1. La instalare, asigurați-vă că împământarea a fost făcută corect. Pericol de electrocutare sau socuri electrice.
 2. Instalați conducta de scurgere conform instrucțiunilor. Instalarea incorectă poate cauza pagube materiale.



Atentionari cu privire la folosirea agentului frigorific R32/R290

1. Instalarea (Incaperea)
 - Traseul frigorific trebuie mentinut la lungimi minime.
 - Traseul frigorific trebuie protejat impotriva deteriorarii fizice accidentale
 - Lucrarile se vor executa cu respectarea normelor nationale ce se refera la lucrarile cu agenti frigorifici.
 - Conexiunile mecanice vor ramane accesibile pentru lucrarile de mentenanta.
 - In situatii in care ventilarea mecanica este necesara, gurile de ventilatie vor fi mereu libere, fara obstructii.
 - La eliminarea produsului, se vor respecta legile si regulamentele nationale.
 - Aparatul va fi depozitat intr-o incapere bine ventilata.
2. Service
 - Persoanele care efectueaza lucrari la trasfeul frigorific trebuie sa detina un certificat de autorizare emis de autoritatile competente.
 - Lucrarile de service vor fi facute de catre personalul producatorului.

Lucrarile de mentenanta si reparatie, vor fi facute de catre alte persoane calificate, sub atenta supraveghere a persoanei autorizate pentru lucrari ce implica agenti frigorifici inflamabili.
3. Nu folositi alte mijloace pentru accelerarea dezghetarii aparatului
Aparatul va fi montat intr-o incapere in care nu exista surse continue de scanteie (un aparat ce functioneaza pe gaz sau incalzitoare electrice).
5. Nu strapungeti si nu ardeti aparatul
6. Luati in considerare faptul ca agentul frigorific este inodor (fara miros).
7. Asigurati-va ca materialele si substantele straine nu vor patrunde in tubulatura (ulei, apa, etc.). De asemenea, atunci cand depozitati tubulatura, sigilati deschiderile, pentru a evita astfel patrunderea particulelor straine.
Pentru unitatile interioare, folositi echipament specific pentru freon R32, atunci cand conectati tubulatura. Folosirea altor echipamente pot produce defectiunea aparatului, spargerea tubulaturii sau vatamare corporala, datorita presiunii interne ridicate.
8. Aparatul va fi instalat si folosit intr-o incapere cu o suprafata mai mare decat dimensiunile trecute in tabelul de mai jos.
Traseul tubulaturii va respecta dimensiunile mentionate in tabelul de mai jos.
Aparatul nu va fi instalat intr-o incapere fara ventilare si daca incaperea are o suprafata mai mica decat dimensiunile inscrise in tabelul de mai jos. Instalarea tubulaturii va respecta normele si reglementarile nationale cu privire la traseele conductelor pentru gaz.

Incarcatura maxima pentru o camera trebuie sa fie in conformitate cu urmatoarea formula:

$$m_{\max} = 2,5 \times (\text{LFL})^{(5/4)} \times h_0 \times (\text{A})^{1/2}$$

sau suprafata minima necesara a etajului

Amin pentru a instala o aplicatie cu incarcare de agent frigorific M (kg) trebuie sa fie in conformitate cu urmatoarele:

$$A_{\min} = (M / (2,5 \times (\text{LFL})^{(5/4)} \times h_0))^2$$

Unde:

m_{\max} este incarcarea maxima admisibila intr-o camera, in kg

M este cantitatea de incarcare a agentului frigorific in aparat, in kg

A_{\min} este suprafata minima necesara a camerei, in m^2

A este suprafata camerei, in m^2 ;

LFL este limita inferioara de inflamabilitate, in kg/m^3

h_0 este inaltimea, distanta verticala in metri de la podea pana la punctul unde este instalata unitatea;

$h_0 = (h_{\text{inst}} + h_{\text{rel}})$ sau 0.6 m, oricare dintre acestea este mai mare

h_{rel} este decalajul in metri de la partea inferioara a aparatului pana la punctul de eliberare

h_{inst} reprezinta inaltimea instalata in metri a unitatii

Inaltimele de referinta pentru instalare sunt date mai jos:

0,0 m pentru portabil si montat pe podea; 1,0 m pentru montare pe fereastră;

1,8 m pentru montare pe perete;

2.2m pentru montaj pe tavan;

Daca inaltimea minima instalata data de producator este mai mare decat inaltimea instalata de referinta, atunci A_{\min} si m_{\max} pentru inaltimea instalata de referinta trebuie sa fie furnizate de producator. Un aparat poate avea inaltime de referinta multiple. In acest caz, trebuie furnizate calcule A_{\min} si m_{\max} pentru toate inaltimele de referinta aplicabile.

Pentru aparatele care deservesc una sau mai multe incaperi cu sistem de tip duct, cea mai joasa deschidere a conexiunii de conducta la fiecare spatiu conditionat sau orice deschidere a unitatii interioare mai mare de 5 cm^2 , la cea mai joasa pozitie fata de spatiu, se utilizeaza pentru h_0 . Cu toate acestea, h_0 nu trebuie sa fie mai mic de 0.6 m. A_{\min} se calculeaza in functie de inaltimele de deschidere ale ductului catre spatii si de sarcina de agent frigorific pentru spatiile in care poate curge agentul frigorific pierdut, luand in considerare locul unde este amplasata unitatea. Toate spatiile trebuie sa aiba o suprafata mai mare decat A_{\min} .

NOTA 1 Aceasta formula nu poate fi utilizata pentru agenti frigorifici mai mici de 42 kg / kmol.

NOTA 2 Cateva exemple de rezultate ale calculelor conform formulei de mai sus sunt prezentate in tabelele 1-1 si 1-2.

NOTA 3 Pentru aparatele sigilate din fabrica, pe placuta de identificare de pe unitate este marcata incarcatura agentul frigorific care poate fi utilizata pentru a calcula Amin.

NOTA 4 Pentru produsele incarcate pe teren, calculul Amin este bazat pe incarcarea instalata a agentului frigorific, care sa nu depaseasca sarcina maxima specificata de producator.

Pentru detalii legate de incarcarea maxima intr-o camera si suprafata minima necesara pentru instalarea unui aparat, va rugam sa consultati « Manualul de utilizare » si « Manualul de instalare » al unitatii.

Pentru informatii specifice despre tipul de refrigerant si cantitate, va rugam sa consultati eticheta relevanta pe unitate.

Tabelul 1-1 Incarcare maxima refrigerant (kg)

Tipul de agent frigorific	LFL (kg/m ³)	Inaltimea de instalare H0 (m)	Suprafata (m ²)						
			4	7	10	15	20	30	50
R32	0.306								
		0.6	0.68	0.90	1.08	1.32	1.53	1.87	2.41
		1.0	1.14	1.51	1.80	2.20	2.54	3.12	4.02
		1.8	2.05	2.71	3.24	3.97	4.58	5.61	7.24
		2.2	2.50	3.31	3.96	4.85	5.60	6.86	8.85
R290	0.038	0.6	0.05	0.07	0.08	0.10	0.11	0.14	0.18
		1.0	0.08	0.11	0.13	0.16	0.19	0.23	0.30
		1.8	0.15	0.20	0.24	0.29	0.34	0.41	0.53
		2.2	0.18	0.24	0.29	0.36	0.41	0.51	0.65






Tabelul 1-2 Suprafata minima a camerei (m²)

Tipul de agent frigorific	LFL (kg/m ³)	Inaltimea de instalare H0 (m)	Incarcare refrigerant in kg Suprafata minima a camerei (m ²)						
			1.224 kg	1.836 kg	2.448 kg	3.672 kg	4.896 kg	6.12 kg	7.956 kg
R32	0.306								
		0.6		29	51	116	206	321	543
		1.0		10	19	42	74	116	196
		1.8		3	6	13	23	36	60
		2.2		2	4	9	15	24	40
R290	0.038		0.152 kg	0.228 kg	0.304 kg	0.456 kg	0.608 kg	0.76 kg	0.988 kg
		0.6		82	146	328	584	912	1541
		1.0		30	53	118	210	328	555
		1.8		9	16	36	65	101	171
		2.2		6	11	24	43	68	115

Note cu privire la gazele fluorurate

1. Acest aparat contine gaze fluorurate. Pentru mai multe informatii cu privire la tipul gazului si cantitatea, consultati eticheta aflata pe unitate. Sau a "Manualului utilizatorului – fisa produs", inclus in cutia unitatii exterioare. (Valabil doar pentru produsele disponibile pentru Uniunea Europeana).
2. Instalarea sau lucrarile de service, mentenanta si reparatie vor fi facute de catre personal autorizat.
3. Dezinstalarea si reciclarea produsului trebuie facute de catre personal autorizat.
4. Pentru echipamente ce contin gaze fluorinate cu efect de sera, in cantitati mai mari de 5 tone CO₂, sau mai mult, dar mai putin de 50 de tone CO₂, daca sistemul este echipat cu system pentru detectarea scurgerilor, aparatul va trebui sa fie verificat cel putin o data la 24 de luni.
5. Tineti evidenta verificarilor pentru scurgeri.




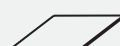




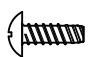





Explicarea simbolurilor afisate pe unitatile interioare/exteriorare (valabil doar pentru aparatele care folosesc agent frigorific R32/R290):

	AVERTIZARE	Acest simbol va subliniaza faptul ca aparatul utilizeaza agent frigorific inflamabil. In cazul unei scurgeri, poate aparea pericolul declansarii unui incendiu.
	ATENTIONARE	Acest simbol va atentioneaza ca manualul de utilizare trebuie citit cu atentie.
	ATENTIONARE	Acest simbol va atentioneaza asupra faptului ca personalul autorizat va trebui sa respecte cu strictete manualul de instalare.
	ATENTIONARE	
	ATENTIONARE	Acest simbol va atentioneaza ca informatiile necesare pot fi gasite in manualul de utilizare sau manualul de instalare.

Accesorii

2

Aparatul dumneavoastra de aer conditionat, are accesoriile de mai jos incluse in colet. La instalare, folositi toate partile componente si accesoriile. Instalarea necorespunzatoare, poate duce la scurgeri de apa, soc electric, incendiu sau defectarea aparatului.

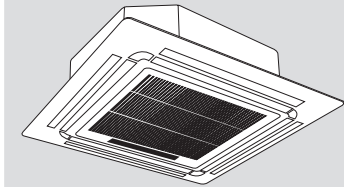
Tipul de agent frigorific					
Manual	2		Hartie sablon instalare	1	
Manson de iesire	1		Cauciuc anti-soc	1	
Clema pentru teava de iesire	1		Imbinare de scurgere (unele modele)	1	
Curea	4		Inel de etansare	1	
Suruburi	4		Piulita de cupru	2	
Inel magnetic (se fixeaza pe cablul de conectare dintre unitatea interioara si exterioara, dupa instalare)	Depinde de model		Inel magnetic (se infasoara de 2ori firele electrice P&Q&E in jurul inelului magnetic)	1	 S1&S2(P&Q&E) / P Q E
Suport telecomanda	1		Suruburi de fixare pentru suport telecomanda ST,9 x 10	2	

NOTA

- Aceasta unitate interioara necesita instalarea unui panou decorativ.

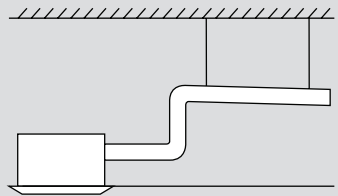
Rezumatul instalării

1



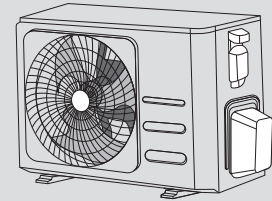
Instalați unitatea interioară

2



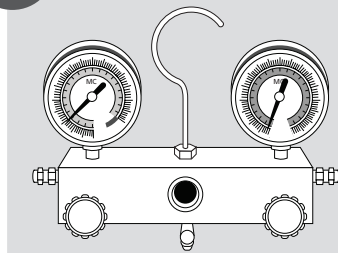
Instalați tubul de scurgere

3



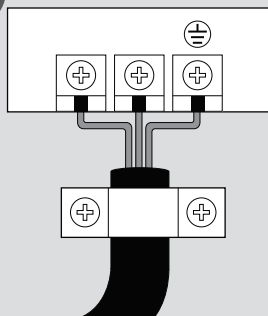
Instalați unitatea exterioară

6



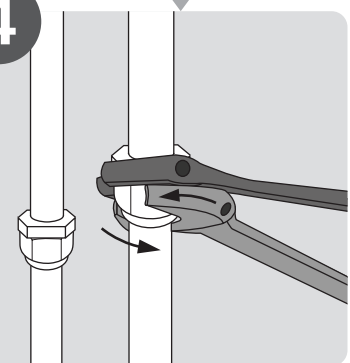
Evacuare aer sistemul de refrigerare

5



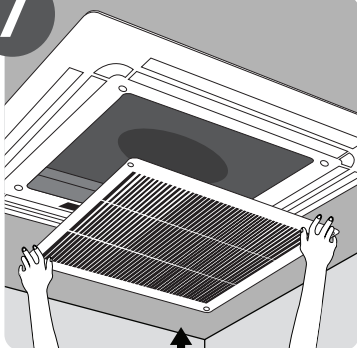
Conectați firele

4



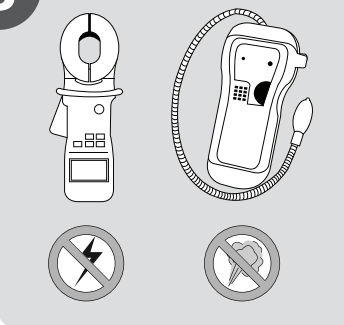
Conectați conductele de refrigerant

7



Instalați panoul frontal

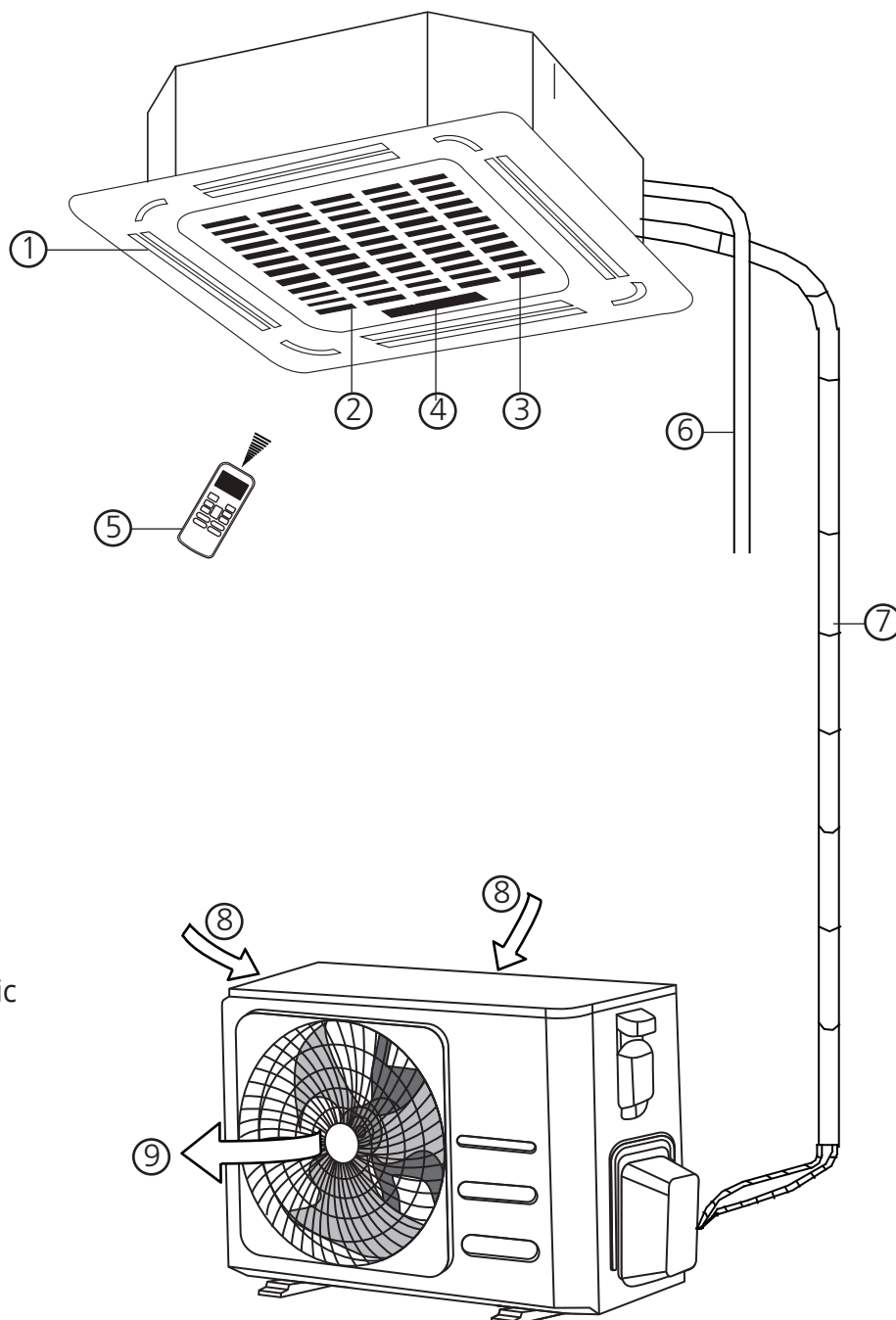
8



Efectuați un test de funcționare

Partile componente ale unitatii interioare

(A)

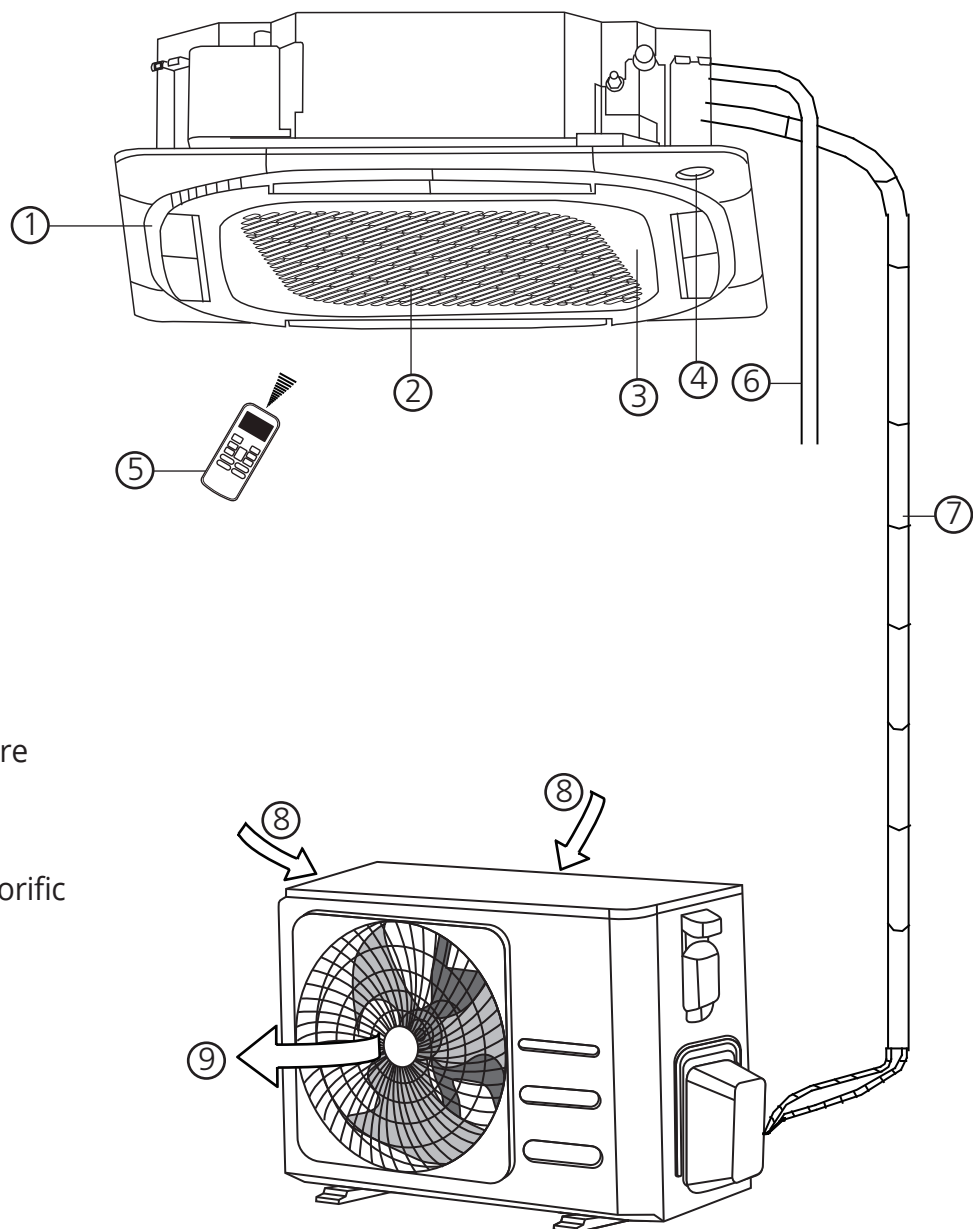


- ① Priza evacuare aer
- ② Priza admisie aer
- ③ Grila frontala
- ④ Afisaj
- ⑤ Telecomanda
- ⑥ Conducta de scurgere

- ⑦ Conducta agent frigorific
- ⑧ Priza admisie aer
- ⑨ Priza evacuare aer

Fig. 3.1

(B)



- ① Priza evacuare aer
- ② Priza admisie aer
- ③ Grila frontala
- ④ Afisaj
- ⑤ Telecomanda
- ⑥ Conducta de scurgere

- ⑦ Conducta agent frigorific
- ⑧ Priza admisie aer
- ⑨ Priza evacuare aer

Precautii

! AVERTIZARE

- Instalati corect unitatea pe o structura suficient de solida, care sa sustina greutatea acesteia. In cazul in care structura nu este suficient de solida, unitatea poate cadea si poate cauza ranirea utilizatorului, defectarea aparatului sau chiar moartea.
- Instalati unitatea la o inaltime de cel putin 2.5M, deasupra podelei.
- **NU INSTALATI** unitatea intr-o baie sau spalatorie, unde nivelul umiditatii este ridicat. Pericol de scurt circuit sau coroziune a cablajului.

! ATENTIONARE

- Instalati unitatile interioara/exterioara si cablajul la cel putin 1m fata de televizoare sau aparate de radio, pentru a preveni distorsiunile. Depinzand de aparate, distanta poate fi crescuta.
- Daca unitatea va fi instalata pe o parte metalica a cladirii, aceasta trebuie impamantata.

Instructiuni pentru instalarea unitatii interioare

NOTA: Instalarea panoului se va face doar dupa ce ati finalizat instalarea cablajului si a tubulaturii.

Pasul 1: Alegeti locatia instalarii

Unitatea interioara tva fi instalata respectand cerintele de mai jos:

- ✓Unitatea va fi instalata la o distanta de cel putin 1m fata de cel mai apropiat perete.
- ✓Asigurati suficient spatiu liber pentru lucrarile de mentenanta si reparatie.
- ✓Asigurati suficient spatiu pentru conectarea tubulaturii si a cablajului.
- ✓Plafonul este drept (orizontal) si poate sustine greutatea unitatii.
- ✓Prizele de aer nu sunt obstructionate.
- ✓Fluxul de aer poate fi distribuit in toata incaperea.
- ✓Nu se afla in raza incalzitoarelor.

! ATENTIONARE

NU INSTALATI unitatea in situatiile de mai jos:

- ⊗ In zone de foraj (petrolier sau gazifer)
- ⊗ In zone de coasta cu aer foarte sarat.
- ⊗ In zone cu o concentratie mare de gaze caustice in aer (in zona cu izvoare de apa fierbinte.
- ⊗ In zone cu fluctuatii mari de tensiune (fabrici).
- ⊗ In spatii inchise (dulapuri)
- ⊗ In bucatarii in care se foloseste gazul natural.
- ⊗ In zone cu fluctuatii electromagnetice puternice.
- ⊗ In spatii in care se depoziteaza materiale sau gaze inflamabile.
- ⊗ In incaperi cu umiditate ridicata (bai, spalatorii, etc.).

SPATII LIBERE RECOMANDATE INTRE UNITATEA INTERIOARA SI TAVAN.

Distanta dintre unitatea interna si tavan trebuie sa indeplineasca urmatoarele conditii (Fig 3.2)

(A)

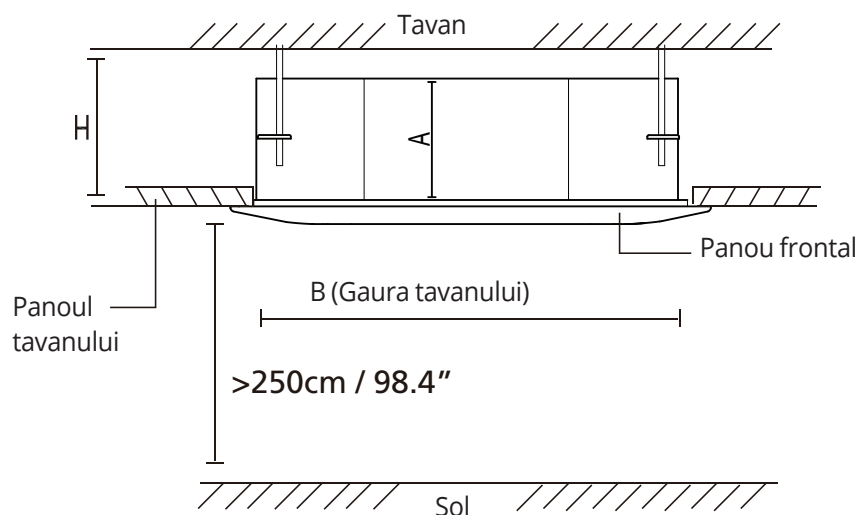
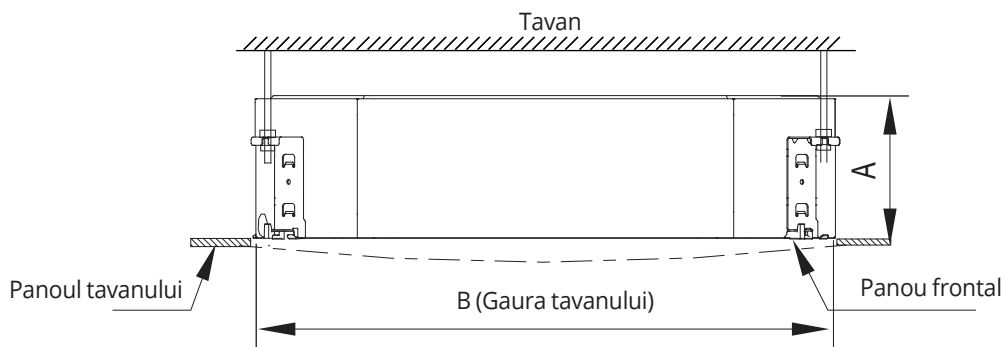
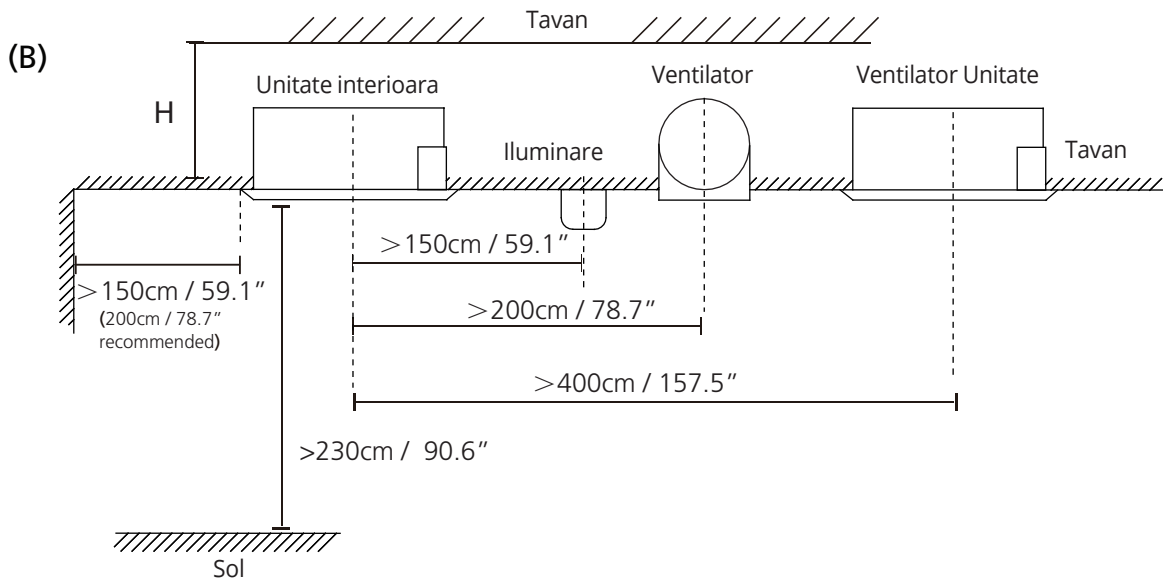


Fig. 3.2

Distanța de la tavan fata de înălțimea unitatii interioare

Tip	MODEL	Lungimea A (mm/inch)	Lungimea H (mm/inch)	Lungimea B (mm/inch)
Modele super-subtiri	24	245/9.6	> 275/10.8	880/34.5
	30	205/8	> 235/9.3	
	30-48	245/9.6	> 275/10.8	
	48-60	287/11.3	> 317/12.5	
Modele compacte		260/10.2	> 290/11.4	600/23.6



Distanța de la tavan fata de înălțimea unitatii interioare

MODEL	Lungimea A (mm/inch)	Lungimea H (mm/inch)	Lungimea B (mm/inch)
18-24	205/8.03	230/9.06	900/35.4
30-42	245/9.65	271/10.7	
42-60	287/11.3	313/12.3	

Pasul 2: Agatarea unitatii interioare

1. Utilizati sablonul din carton pentru a taia plafonul fals conform dimensiunilor necesare, lasand liber cel puțin 1m pe fiecare parte. Dimensiunea strapungerii: 60x60cm (23.6x23.6") sau 90x90cm (35.4x35.4") (Fig 3.3). Marcati zonele in care veti face gaurile pentru carligele de tavan.

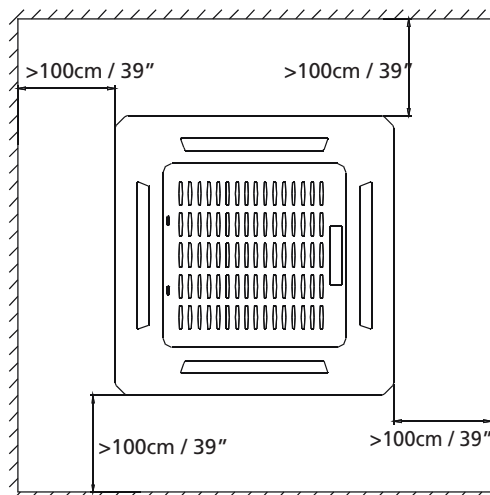
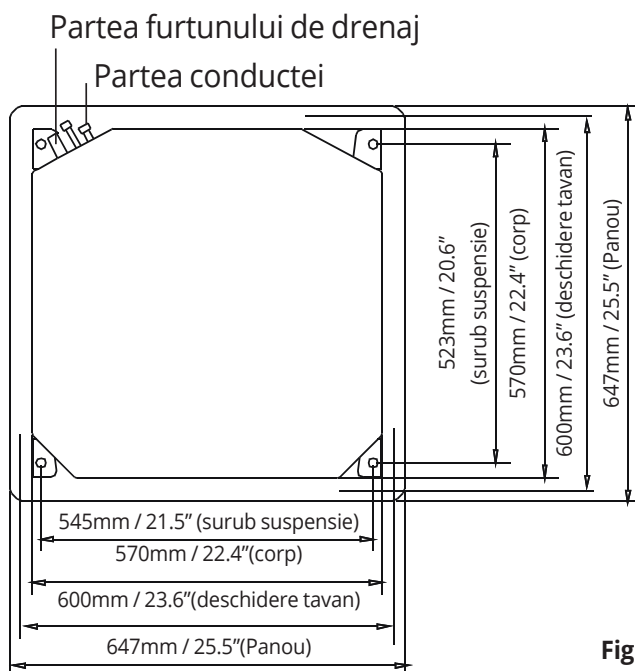
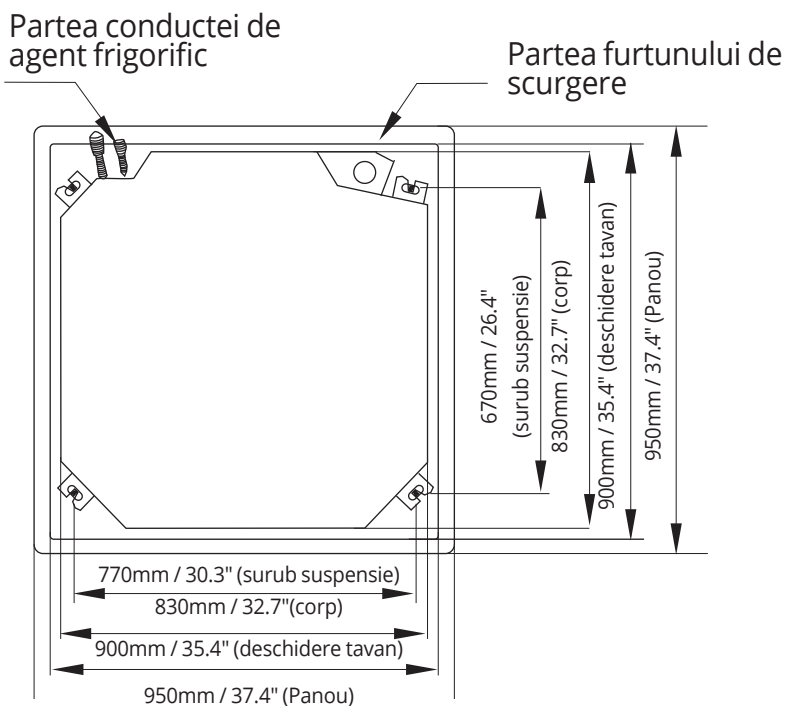


Fig. 3.3

Models: V7CRI-12WiFiR, V7CRI-18WiFiR

(B)



! ATENTIONARE

Corpul unitatii se va alinia perfect cu deschiderea din tavan. Asigurati-va ca unitatea si deschiderea din tavan au 2 dimensiune.

Models: V7CI-24WiFiR, V7CI-36WiFiR, V7CI-42WiFiR, V7CI-50WiFiR, V7CI-60WiFiR

2. Dati 4 gauri de 5cm (2") sau 12cm-15.5cm (4.7"-6.1") in locurile unde vor fi prinse carligele de sustinere. Asigurati-va ca unghiul este de 90°.
3. Cu ajutorul unui ciocan, fixati carligele in gauri. Asigurati carligele cu saibele si piulitele disponibile.
4. Instalati carligele de sustinere (Fig 4.4)

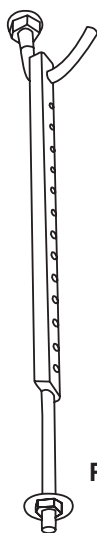


Fig. 3.4

5. Montati unitatea interioara. La acest pas este nevoie de 2 persoane. Introduceti carligele de sustinere in spatiile speciale de pe unitate interioara si fixati-le cu ajutorul saibelor si piulitelor disponibile. (fig 3.5).

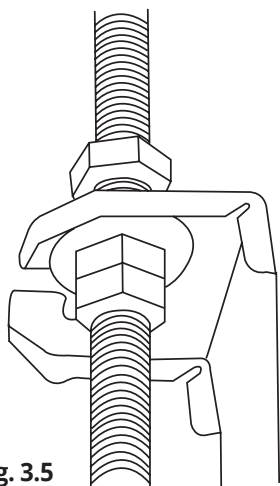


Fig. 3.5

NOTA: Partea inferioara a unitatii va fi mai inalta cu 10 - 25mm (0.4-0.98") pentru 24k-60k modelele sau 24mm (0.9") pentru 12k-18k modelele fata de tavanul fals. In general, L (Fig 3.6), va fi jumatarea lungimii carligelor de sustinere sau suficient de lunga pentru a preveni desfacerea/caderea piulitelor.

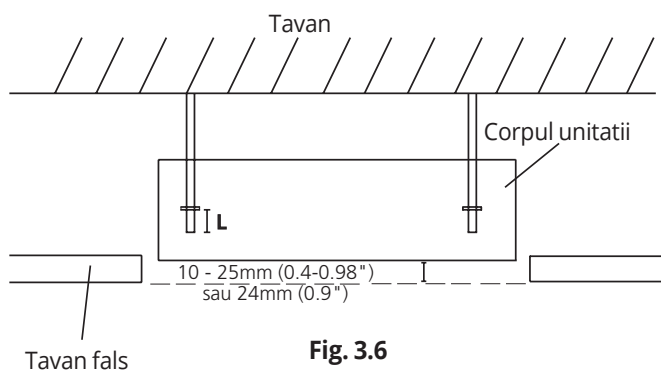


Fig. 3.6

! ATENTIE

Asigurati-va ca unitatea este dreapta. Instalarea incorecta a unitatii poate duce la scurgeri datorate acumularii de apa.

NOTA: Asigurati-va ca unitatea este dreapta. Aparatul este echipat cu o pompa de scurgere integrata si flotor. Daca unitatea nu este dreapta si este inclinata in directia opusa scurgerii conednsului (conducta este ridicata), flotorul se va defecta si vor aparea scurgeri de apa.

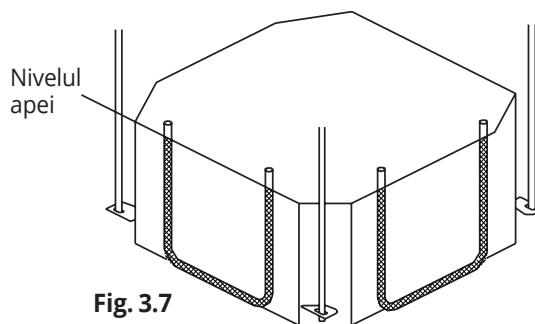


Fig. 3.7

Nota cu privire la instalarea intr-o cladire in constructie.

La instalarea aparatului intr-o locatie noua, carligele de instalare pot fi incluse in tavan. Asigurati-va ca vor fi securizate si ca nu vor cadea la uscarea betonului.

Dupa instalarea unitatii interioare, fixati sablonul de unitate, cu ajuotul suruburilor (M6x12), pentru a avea din avans dimensiunile, la aplicarea plafonului fals, conform instructiunilor de mai jos.

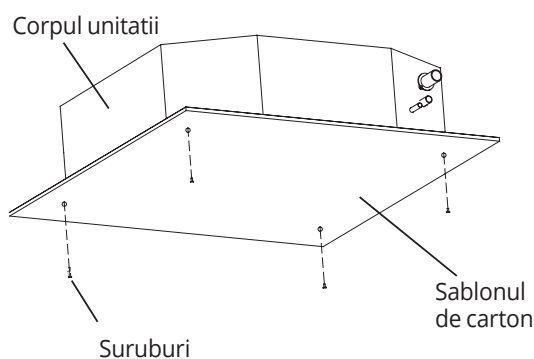


Fig. 3.8

Instructiuni pentru instalarea unitatii exterioare

Pasul 1: Alegeti locul instalarii

Locul in care veti instala unitatea exterioara trebuie sa indeplineasca urmatoarele conditii:

- ✓Unitatea exterioara se va monta cat mai aproape de unitatea interioara.
- ✓Asigurati spatiu suficient pentru a instala unitatea.
- ✓Prizele de aer ale unitatii, nu vor fi obstructionate.
- ✓Asigurati-va ca unitatea nu va fi afectata de acumulari de zapada, frunze, etc. Daca este posibil, asigurati un acoperis de protectie.
- ✓Locatia instalarii trebuie sa fie bine ventilata si uscata.
- ✓Asigurati suficient spatiu liber pentru conectarea cablurilor si conductelor si pentru lucrarile de mentenanta sau reparatie.

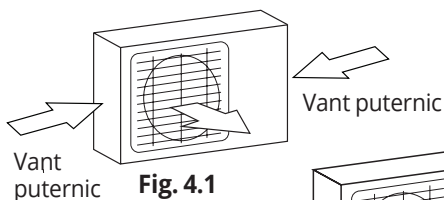


Fig. 4.1

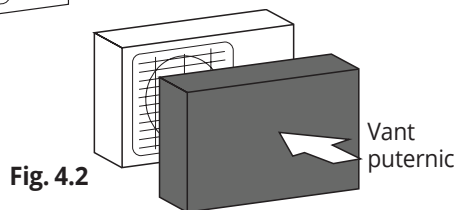


Fig. 4.2

Pasul 2: Instalati unitatea exterioara

Fixati unitatea exterioara cu suruburi de ancorare (conexpand).

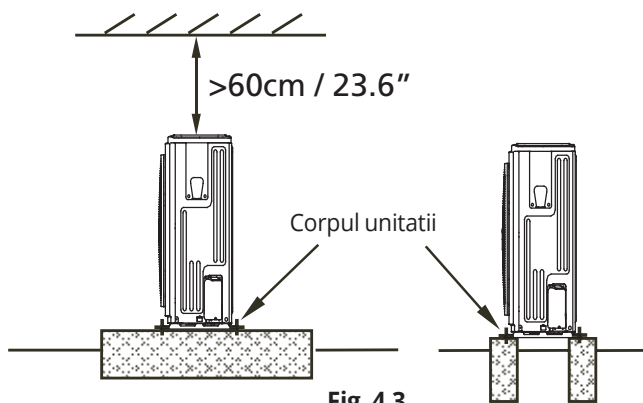


Fig. 4.3

- ✓Nu instalati unitatea daca in zona se pot gasi gaze inflamabile sau substante chimice periculoase.
- ✓Conducta de legatura intre unitatea interioara si cea exterioara nu trebuie sa depaseasca lungimea maxima admisa.
- ✓Daca este posibil, **NU INSTALATI** unitatea in lumina directa a soarelui.
- ✓Daca este posibil, asigurati-va ca unitatea exterioara va fi montata cat mai departe de vecini, pentru ca zgomotul generat sa nu deranjeze.
- ✓Daca locatia este expusa la vant puternic (in apropierea marii), unitatea va fi montata in apropierea unui perete, pentru a fi protejata. Daca este posibil asigurati un acoperis (fig. 5.1&5.2).
- ✓Instalati unitatea interioara, exterioara si cablurile la o distanta de cel putin 1m fata de televizoare sau aparate de radio, pentru a evita distorsiunile. In functie de undele radio, distanta de 1 m ar putea fi prea mica.

⚠ ATENTIONARE

- Asigurati-va ca ati eliminat orice obstacol care poate bloca circulatia aerului.
- Consultati sectia "DIMENSIUNILE UNITATILOR", pentru a va asigura ca aveti suficient spatiu pentru instalare si lucrarile de mentenanta.

CONSIDERATII SPECIALE PENTRU VREME EXTREMA

Daca unitatea este expusa la vant puternic: Instalati unitatea astfel incat ventilatorul sa fie la un unghi de 90° fata de directia vantului. Daca este necesar, construiti o bariera in fata unitatii pentru a o proteja de vanturile extrem de puternice. Vezi figurile de mai jos.

Daca unitatea este frecvent expusa la ploi abundente sau zapada:

Construiti un adapost deasupra unitatii pentru a-l proteja de ploaie sau zapada. Aveti grija sa nu obstructionati fluxul de aer in jurul unitatii.

Daca unitatea este expusa frecvent la aer sarat (litoral):

Utilizati unitatea exterioara special conceputa pentru a rezista la coroziune.

Tipuri de unitati exterioare si specificatii

Unitate exterioara tip SPLIT

Consultati

(Refer to Fig 4.4, 4.5, 4.6, 4.10 si tabelul 4.1)

Fig. 4.4

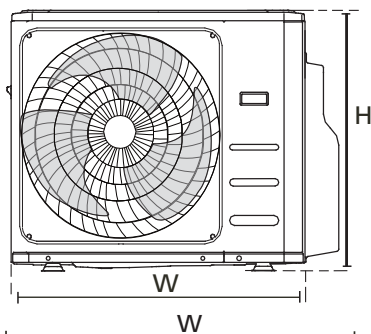


Fig. 4.5

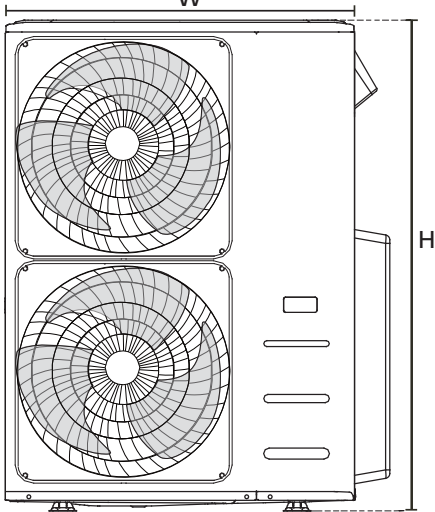
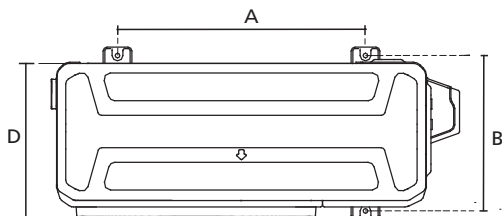


Fig. 4.6



Tabel 4.1: Dimensiunile unitatilor exterioare de tip split (mm/inch)

Dimensiunile unitatii exterioare LxHxA	Dimensiuni montaj	
	Distanta A	Distanta B
760x590x285 (29.9x23.2x11.2)	530 (20.85)	290 (11.4)
810x558x310 (31.9x22x12.2)	549 (21.6)	325 (12.8)
845x700x320 (33.27x27.5x12.6)	560 (22)	335 (13.2)
900x860x315 (35.4x33.85x12.4)	590 (23.2)	333 (13.1)
945x810x395 (37.2x31.9x15.55)	640 (25.2)	405 (15.95)
990x965x345 (38.98x38x13.58)	624 (24.58)	366 (14.4)
938x1369x392 (36.93x53.9x15.43)	634 (24.96)	404 (15.9)
900x1170x350 (35.4x46x13.8)	590 (23.2)	378 (14.88)
800x554x333 (31.5x21.8x13.1)	514 (20.24)	340 (13.39)
845x702x363 (33.27x27.6x14.3)	540 (21.26)	350 (13.8)
946x810x420 (37.24x31.9x16.53)	673 (26.5)	403 (15.87)
946x810x410 (37.24x31.9x16.14)	673 (26.5)	403 (15.87)
952x1333x410 (37.5x52.5x16.14)	634 (24.96)	404 (15.9)
952x1333x415 (37.5x52.5x16.34)	634 (24.96)	404 (15.9)
890x673x342 (35x26.5x13.46)	663 (26.1)	354 (13.94)
765x555x303 (30.1x 21.8x 11.9)	452 (17.8)	286(11.3)
805x554x330 (31.7x 21.8x 12.9)	511 (20.1)	317 (12.5)

NOTA: Distanța minimă între unitate și pereți, nu se va aplica în cazul camerelor etanșe. Asigurați-vă că unitatea va fi neobstrucționată pe cel puțin 2 dintre cele 3 laturi (M, N, P). (Fig. 4.10)

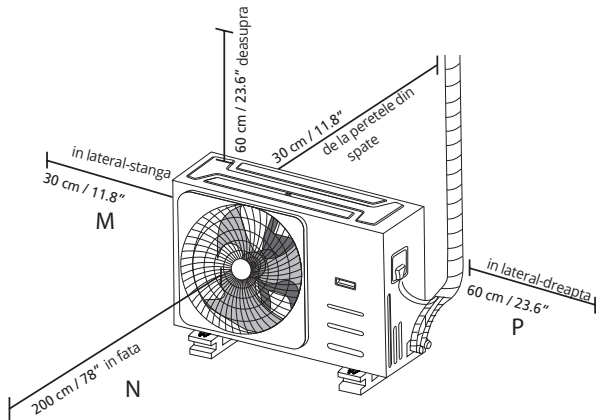


Fig. 4.10

Seriile de instalare.

Tabel 4.3: Relațiile dintre H, A și L, după cum urmează

	L	A
$L \leq H$	$L \leq 1/2H$	25 cm / 9.8" sau mai mult
	$1/2H < L \leq H$	30 cm / 11.8" sau mai mult
$L > H$	Nu se poate instala	

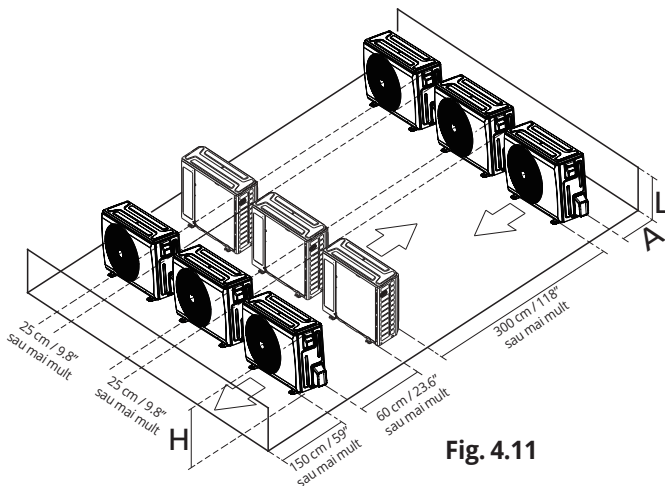


Fig. 4.11

Instalarea racordului de scurgere

În cazul în care racordul are inclusă garnitura de cauciuc (fig 4.12-A), urmați pașii:

1. Fixați garnitura pe racordul ce va fi conectat la unitatea exterioară.

2. Introduceți racordul de scurgere în orificiul de la baza unității.
3. Rotiți racordul într-un unghi de 90° până se aude un "click".
4. Conectați un furtun de scurgere (nu este inclus în pachet), pentru a elimina apa acumulată în timpul funcționării în modul încălzire.

Dacă racordul de scurgere nu are inclusă o garnitură la baza unității, (Fig 5.12-B), urmați pașii de mai jos:

1. Introduceți racordul de scurgere în orificiul de la baza unității. La cuplarea veți auzi un sunet "click".
2. Conectați un furtun de scurgere (nu este inclus în pachet).

NOTA: Asigurați-vă că apa scursă nu va cauza defectiuni sau pericol de alunecare.

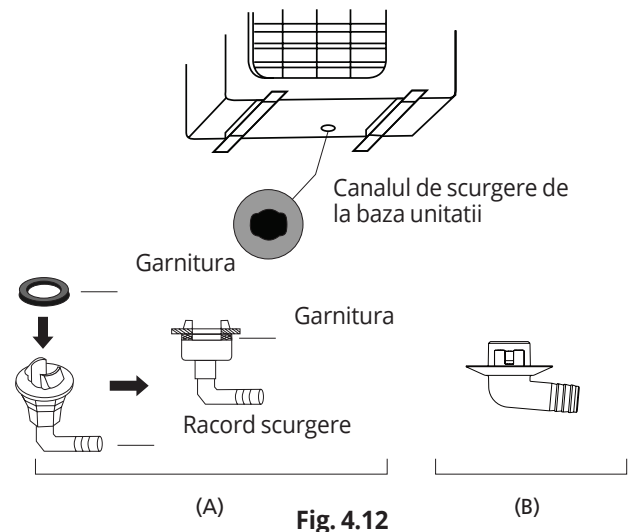


Fig. 4.12

Note cu privire la strapungerea peretelui

Strapungeți pereții pentru conducta de agent frigorific și cablurile de semnal ce vor conecta cele 2 unități.

1. Alegeți poziția strapungerii în funcție de locația unității exterioare.
2. Pentru strapungere, folosiți un burghiu de 65mm.

NOTA: La strapungere, evitați cablurile, instalația sau alte elemente din interiorul peretelui.

3. Introduceți un inel de protecție în gaura, pentru a proteja marginile strapungerii și pentru o etansare ușoară la finalizarea instalării.

Instalarea conductei de scurgere

5

Conducta de scurgere este folosita pentru eliminarea apei din unitate. Instalarea incorecta a acesteia, poate duce la defectarea aparatului.

! ATENTIONARE

- Izolati tubulatura pentru a preveni aparitia condensului. Pericol de defectare a aparatului.
- Daca tubulatura de scurgere este indoita sau instalata incorect, pot aparea scurgeri de apa care pot cauza defectiuni ale sistemului de scurgere.
- In timpul functionarii in modul HEAT, unitatea exterioara va elimina apa. Asigurati-va ca furtunul de scurgere este montat corect, pentru a evita scurgerea apei si inghetarea acesteia in locuri circulante.
- NU TRAGETI de conducta de scurgere pentru a o deconecta.

NOTA CU PRIVIRE LA ACHIZITIONAREA

Pentru aceasta instalare, veti avea nevoie de conducta de polietilena, cu diametru exterior de 2.5cm. Aceste conducte pot fi achizitionate de la orice magazin de specialitate.

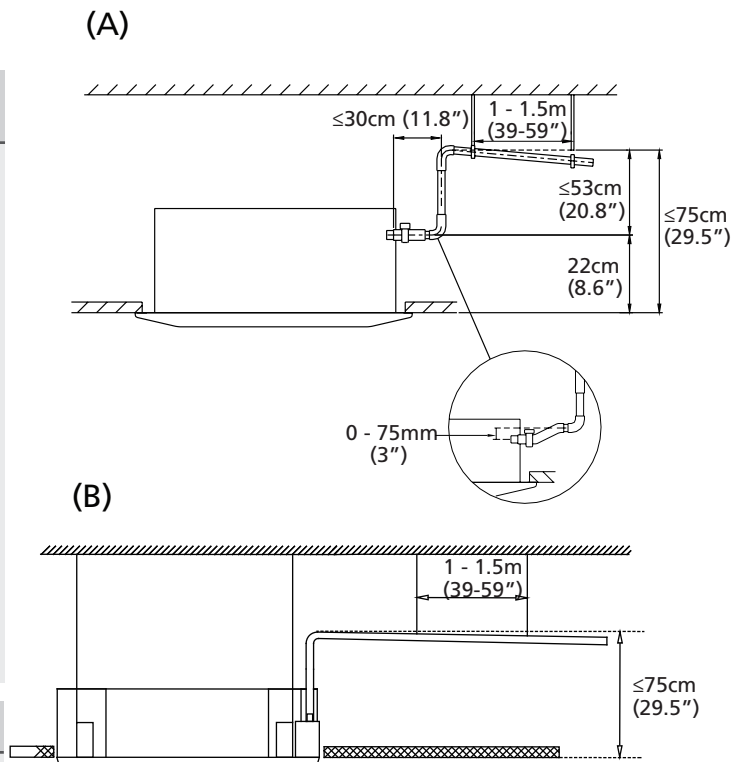
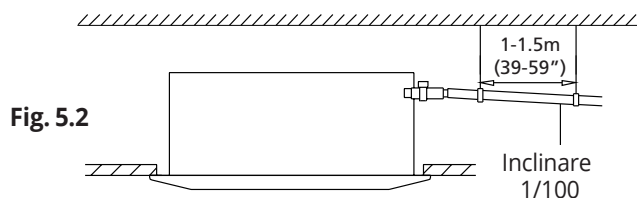
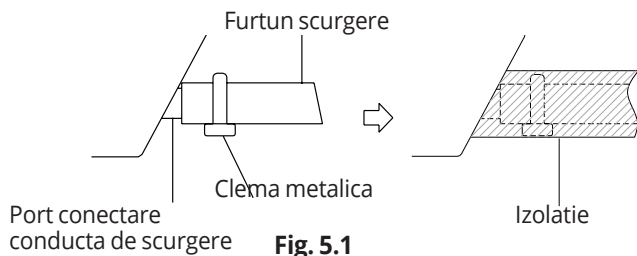


Fig. 5.3

Instalarea conductei de scurgere interioara.

Instalati conducta respectand instructiunile din fig. 6.2

1. Izolati conducta cu banda izolanta, pentru a preveni aparitia condensului si a scurgerilor.
2. Conectati conducta la portul de conectare al unitatii. Izolati si strangeti cu o clema metalica.



NOTE CU PRIVIRE LA INSTALAREA CONDUCTEI DE SCURGERE

- Daca extindeti conducta de scurgere, securizati conexiunea la unitatea interioara cu un tub de protectie, pentru a preveni smulgerea acesteia.
- Conducta de scurgere trebuie indreptata in jos, in treapta de cel putin 1/100 pentru a preveni scurgerea apei inapoi, catre unitate.
- Pentru a preveni incovoierea/indoirea conductei, asigurati sustinere ajutorul cablurilor la o distanta de cel mult 1.5m.
- In cazul in care capatul de evacuare al conductei se afla la o inaltime mai mare decat pompa, asigurati o conducta de ridicare pentru evacuarea unitatii interioare. Conducta de ridicare trebuie instalata la o inaltime de cel mult 75cm fata de tavan iar distanta intre dintre unitate si conducta nu trebuie sa depaseasca 30cm. Instalarea incorecta poate duce la scurgerea apei inapoi in unitatea interioara, cauzand inundatii.
- Pentru a evita aparitia bulelor de aer, tineti furtunul de scurgere la nivel sau chiar usor indreptat in sus (<math><75\text{m}/3''</math>)

NOTA: La conectarea conductelor multiple, respectati fig. 5.4

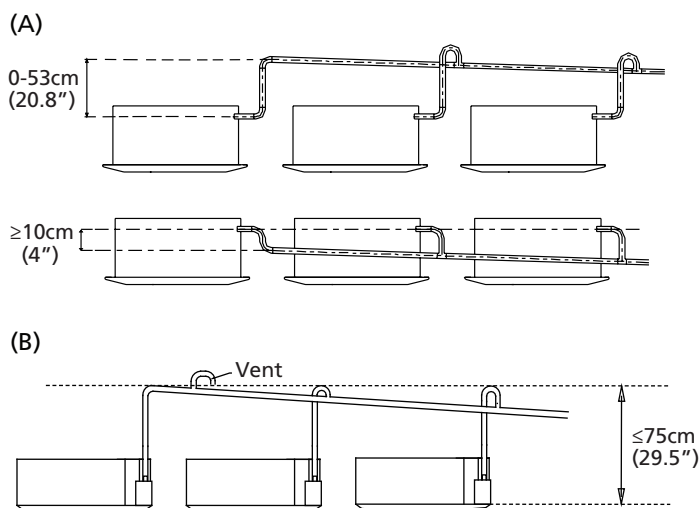


Fig. 5.4

3. Strapungeti peretele folosind un burghiu de 65mm (2.56") sau 90mm(3.54"). Asigurati-va ca strapungerea este facuta cu inclinare inferioara, pentru ca punctul de iesire sa fie mai jos decat punctul de intrare cu 12mm. Aceasta inclinare v-a asigura o scurgere mai eficienta a apei (vezi fig. 6.5). Introduceti tubul de protectie in interiorul strapungerii. Acesta va proteja marginile si va ajuta la sigilarea strapungerii atunci cand finalizati instalarea.

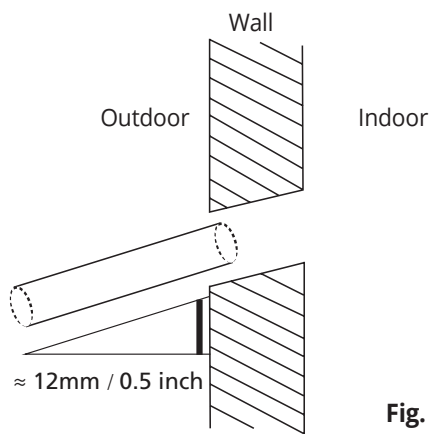


Fig. 5.5

NOTA: In momentul strapungerii, asigurati-va ca nu loviti instalatia electrica, conducte sau alte elemente importante.

4. Treceti furtunul de scurgere prin strapungere. Asigurati-va ca apa se va scurge intr-un loc sigur, unde nu va cauza deteriora peretele si nu va cauza pericol de alunecare.

NOTA: Capatul conductei de scurgere va trebui sa se situeze la cel putin 5cm deasupra pamantului. In caz contrar, scurgerea ar putea fi blocata si aparatul se poate defecta. Daca scurgerea se face direct in canalizare, asigurati o conducta in U sau S, pentru a elimina posibilitatea mirosurilor sa patrunda in incapere.

Instalarea conductei de agent frigorific

6

Precautii

AVERTIZARE

- Toate conexiunile trebuie efectuate de catre un tehnician autorizat, aceste conexiuni respectand reglementarile nationale si locale.
- Cand instalati un aparat de aer conditionat intr-o incapere mica, luati toate masurile pentru a evita situatia in care concentratia de agent frigorific depaseste limita de siguranta.
- In cazul unei scurgeri de agent frigorific si daca nivelul concentratiei este mai mare decat limita, pot aparea pericole cauzate de lipsa de oxigen.
- Atunci cand instalati un traseu frigorific, asigurati-va ca aerul, praful, umiditatea sau alte substante straine nu se vor infiltra in instalatie.
- Contaminarea traseului poate cauza eficienta scazuta, presiune crescuta in traseul frigorific, explozia unitatii sau ranirea utilizatorului/ instalatorului.
- In cazul unei scurgeri de agent frigorific, in timpul instalarii, aerisiti imediat camera.
- Agentul frigorific este atat inflamabil cat si toxic. Asigurati-va ca nu exista scurgeri inainte de finalizarea instalarii.

Note cu privire la lungimea conductei si elevatie

Asigurati-va ca lungimea conductei, numarul de curburi si diferenta de inaltime intre unitati, respecta parametrii inscrisi in tabelul 6.1

Tabel 6.1: Lungimea si diferenta de inaltime maxime in functie de model (m/ft)

Tip aparat	Capacitate (Btu/h)	Lungimea conductei	Diferenta maxima de inaltime
Aparate de tip SPLIT cu conversie a frecventei (America de Nord, Australia, UE)	<15K	25/82	10/32.8
	≥15K - <24K	30/98.4	20/65.6
	≥24K - <36K	50/164	25/82
	≥36K - ≤60K	75/246	30/98.4
Alte tipuri de aparate split	12K	15/49	8/26
	18K-24K	25/82	15/49
	30K-36K	30/98.4	20/65.6
	42K-60K	50/164	30/98.4

ATENTIE

- Acumulari de ulei
Atunci cand unitatea interioara este instalata mai sus decat unitatea exterioara:
- Scurgerea uleiului inapoi in compresor, poate cauza comprimarea lichidelor sau deteriorarea returului de ulei. Acumularile de ulei pot fi evitate daca se instaleaza coturi in conducta de gaz.
Instalati coturi la fiecare 6m (20ft) sau 10m (32.8ft). (Vezi Fig 6.1)

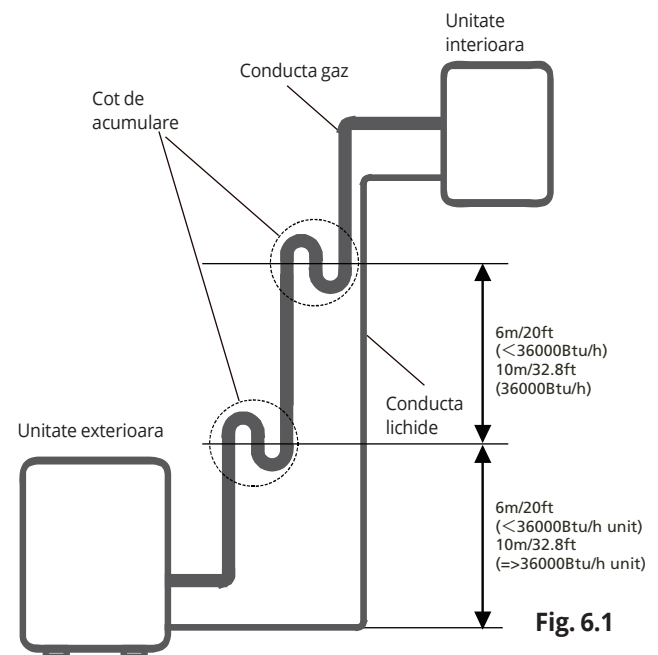


Fig. 6.1

Unitatea interioara este instalata mai sus decat unitatea exterioara

! ATENTIE

Atunci cand unitatea exterioara este instalata la o inaltime mai mare decat unitatea interioara:

- Se recomanda ca aspiratoarele sa nu fie montate invers. Nivelul optim de retur al uleiului trebuie mentinut cu ajutorul vitezei de aspirare a gazului. Daca vitezele scad sub 7.62m/s (1500 picioare/m), returul va scadea. Instalati coturile la fiecare 6m(20ft) sau 10m(32.8ft). (Vezi Fig 6.2)

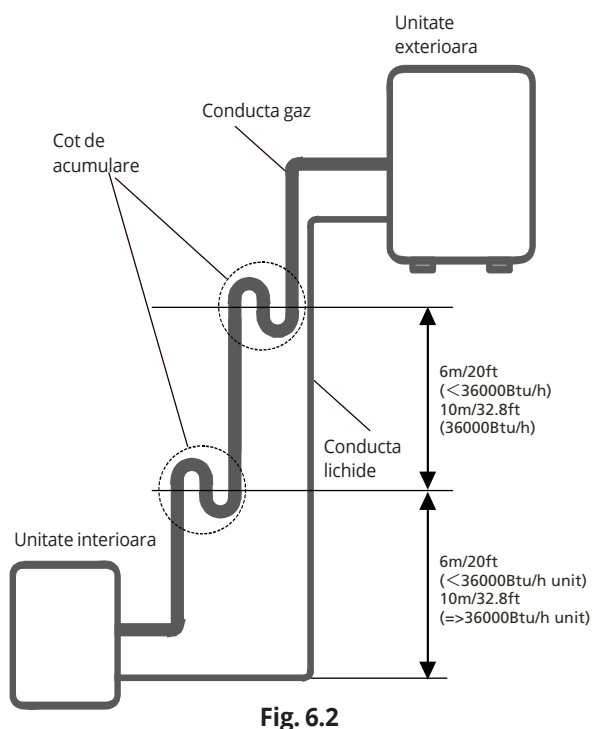


Fig. 6.2

Unitatea exterioara este instalata mai sus decat unitatea interioara

Instructiuni pentru conectarea conductei

! ATENTIONARE

- Conducta de linie trebuie instalata orizontal. Un unghi mai mare de 10° poate duce la defectarea aparatului.
- **NU INSTALATI** conducta inainte de instalarea unitatilor interioare si exterioare.
- Izolati atat conducta pentru gaz cat si pe cea pentru lichid, pentru a evita scurgerea apei.

Pasul 1: Taiati teville

Cand pregatiti conductele pentru freon, asigurati-va ca veti taia sficient pentru a realiza expansiunea corect. Acest lucru va duce la o functionare eficienta si va minimiza nevoia de mentenanta pe viitor. Pentru modelele ce folosesc R32/R290, punctele de conexiune a tubulaturii, vor fi localizate in afara incaperii. Conductele de jonctiune nu pot fi refolosite.

1. Masurati distanta intre unitatea interioara si cea exterioara.
2. Folosind un dispozitiv pentru taiat tevi, taiati conducta de o lungime putin mai mare fata de dimensiunea masurata de catre dvs.

! ATENTIE

NU deformati conducta in timpul taierii. Acordati atentie sporita procedurii de taiere, pentru a nu deteriora, lovi sau deforma teava in timpul taierii. Aceste modificari pot reduce capacitatea de incalzire a unitatii.

3. Asigurati-va ca unghiul de taiere este de 90°, perfect. Consultati fig. 7.5 pentru exemple de taiere imperfecta.

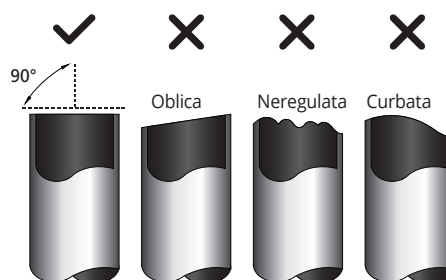


Fig. 6.3

Pasul 2: Indepartati bavura

Bavura poate afecta etansarea traseului frigorific. Eliminati in totalitate bavura inainte de a continua.

1. Tineti partea taiata in jos astfel incat bavura sa nu patrunda in conducta.
2. Folosind un alezor, inlaturati bavura in intregime, din interiorul conductei.

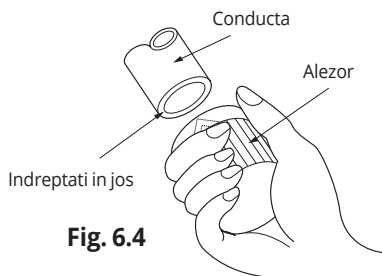


Fig. 6.4

Expansiunea capatului conductei

Expansiunea corecta a capatului este esentiala pentru a obtine o etansare superioara a instalatiei.

1. Dupa ce ati inlaturat bavura, taiati conducta si sigilati cu banda izolanta, pentru a preveni patrunderea materiilor straine in conducta.
2. Izolati conducta cu banda izolanta.
3. Montati piulitele de expansiune la ambele capete ale conductei. Verificati daca piulitele se afla in pozitie corecta, intrucat nu le mai puteti schimba dupa expansiune (fig. 6.7).

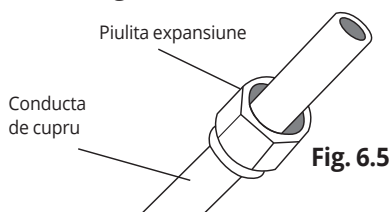


Fig. 6.5

4. Inlaturati banda izolanta de la capetele conductei atunci cand incepeti expansiunea.
5. Fixati dispozitivul de expansiune la capatul conductei. Capaul conductei trebuie sa fie mai sus decat dispozitivul de expansiune.

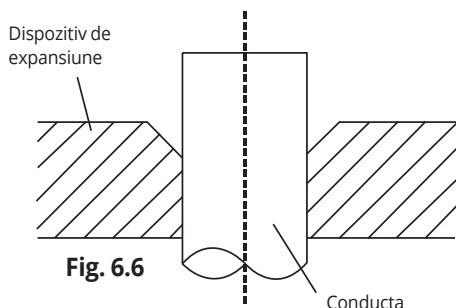


Fig. 6.6

6. Montati dispozitivul de expansiune.
7. Rotiti manerul dispozitivului pentru expansiune in sensul acelor de ceasornic pana cand expansiunea este completa. Expansiunea trebuie sa respecte dimensiunile din tabelul de mai jos.

Tabel 6.3: Extensia conductei dupa forma expansiunii

		Min.	Max.	
Ø 6.35	18-20 N.m (183-204 kgf.cm)	8.4/0.33	8.7/0.34	
Ø 9.52	25-26 N.m (255-265 kgf.cm)	13.2/0.52	13.5/0.53	
Ø 12.7	35-36 N.m (357-367 kgf.cm)	16.2/0.64	16.5/0.65	
Ø 16	45-47 N.m (459-480 kgf.cm)	19.2/0.76	19.7/0.78	
Ø 19	65-67 N.m (663-683 kgf.cm)	23.2/0.91	23.7/0.93	
Ø 22	75-85 N.m (765-867 kgf.cm)	26.4/1.04	26.9/1.06	

Fig. 6.7

8. Indepartati dispozitivul de expansiune si inspectati conducta, pentru a va asigura ca nu s-au produs crapaturi sau alte defecte.

Pasul 4: Conectarea conductelor

Conectati conductele de cupru la unitatea interioara prima data apoi la unitatea exterioara. Se va conecta conducta de presiune scazuta prima data apoi conducta de presiune crescuta.

1. La strangerea piulitei de expansiune, aplicati putin ulei frigorific pe capetele conductei.
2. Aliniati perfect centrele celor 2 conducte ce vor fi conectate.

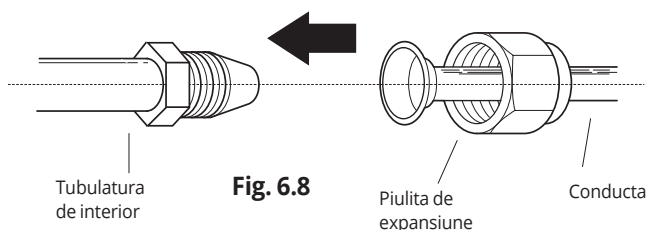


Fig. 6.8

3. Strangeti piulita de expansiune cat de tare puteti, cu mana.
4. Fixati piulita cu ajutorul unei chei hexagonale fixe.
5. Strangeti piulita de expansiune cu ajutorul unei chei de torsiune, respectand valorile cuplului mentionate in tabelul 6.3.

NOTA: Atunci cand conectati conductele, folositi atat o cheie fixa hexagonala cat si o cheie de torsiune.

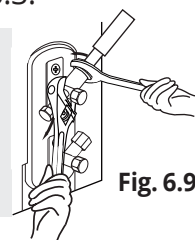


Fig. 6.9

! ATENTIE

- Asigurati-va ca ati infasurat banda izolatoare in jurul conductei. Contactul direct cu teava poate duce la arsuri sau degeraturi.
- Asigurati-va ca teava este conectata corect. Strangerea prea puternica poate deteriora expansiunea iar strangerea prea slaba poate cauza scurgeri.

NOTE CU PRIVIRE LA RAZA MINIMA DE CURBARE

Indoiti cu grija conducta, in mijloc, conform imaginii de mai jos. NU INDOITI conducta la un unghi de 90°, de mai mult de 3 ori.

Indoiti teava cu degetul mare



6. Dupa conectarea conductelor de cupru la unitatea interioara, fixati cablurile de alimentare, de semnal si conductele cu banda.

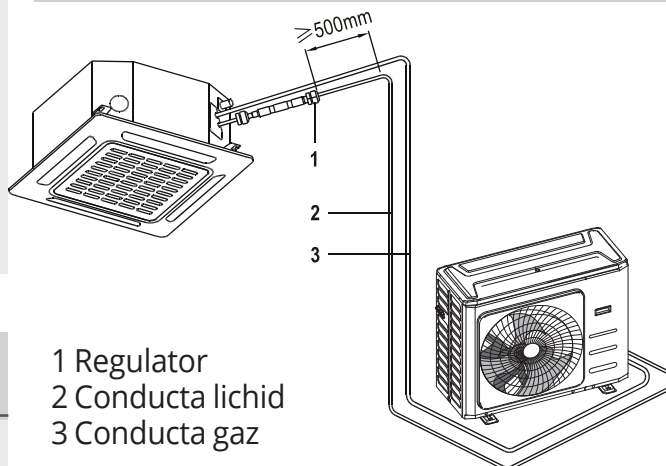
NOTA: NU intercalati cablul de semnal cu alte cabluri atunci cand le fixati in manunchi.

7. Treceti acest manunchi prin perete si conectati-l la unitatea exterioara.
8. Izolati toate conductele, incluzand supapele unitatii exterioare.
9. Deschideti supapele "stop", ale unitatii exterioare, pentru a putea permite trecerea agentului frigorific prin unitati (interioara si exterioara).

! ATENTIE

La finalizarea instalarii, asigurati-va ca nu exista scurgeri de freon. In cazul unei scurgeri, aerisiti imediat incaperea si eliminati agentul frigorific din instalatie (consultati sectiunea corespunzatoare din acest manual).

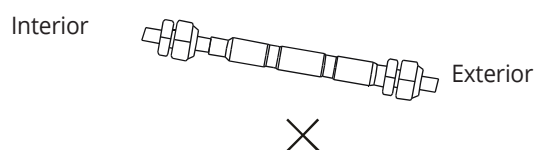
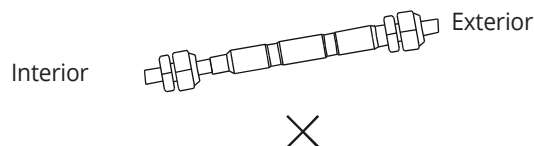
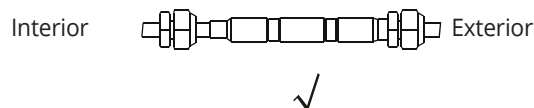
Instalarea regulatorului. (Valabil doar la anumite modele)



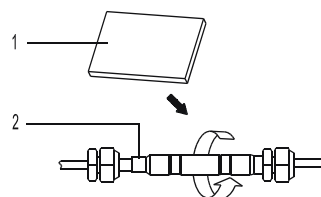
- 1 Regulator
2 Conducta lichid
3 Conducta gaz

Precautii

- Pentru a asigura eficienta regulatorului, montati acest dispozitiv intr-o pozitie cat mai aproape de orizontala



Infasurati sistemul de protectie anti-soc din cauciuc, la exteriorul regulatorului, pentru reducerea zgomotului in timpul functionarii.



- 1 Protectie anti-soc din cauciuc
2 Regulator

Masuri de siguranta

AVERTIZARE

- Intrerupeti alimentarea cu energie electrica inainte de a incepe orice lucrare asupra unitatii.
- Circuitul electric trebuie instalat, respectand legislatia locala si nationala.
- Circuitul electric trebuie instalat de catre un tehnician autorizat. Lucrarile incorecte pot duce la defectarea aparatului, ranirea utilizatorului sau incendii.
- Folositi un circuit si o priza independente pentru acest aparat. Nu conectati un alt aparat electric in aceeasi priza.
- In cazul unui defect la instalatia electrica, sau daca instalatia electrica nu are o capacitate corespunzatoare, aparatul se poate defecta sau poate aparea pericolul declansarii unui incendiu.
- Conectati cablurile la terminalul electric si securizati-le cu o clema. O conexiune nesigura poate produce incendii.
- Verificati corectitudinea executarii instalatiei cablajului si instalarea placii de baza. In cazul unei lucrari necorespunzatoare, poate aparea pericolul de supraincalzire, incendiu si electrocutare.
- Asigurati-va ca alimentarea cu energie electrica este facuta printr-o siguranta la distanta de 3mm.
- NU modificati lungimea cablului de alimentare si nu folositi un prelungitor.

ATENTIE

- Conectati instalatia electrica a unitatii exterioare si dupa aceea pe cea a unitatii interioare.
- Asigurati-va ca aparatul este impamantat. Cablul de impamantare trebuie tinut departe de conducte de gaz, de apa, paratrasnete, cabluri de telefonie sau alte tipuri de instalatii. Impamantarea incorecta poate cauza pericol de electrocutare.
- NU alimentati aparatul pana nu ati terminat lucrarea.
- Asigurati-va ca nu incrucisati cablurile de alimentare cu cele de semnal. Aceasta actiune poate produce distorsiuni si bruiaje.

Urmati instructiunile de mai jos pentru a preveni distorsiuni la pornirea compresorului.

- Aparatul trebuie conectat la priza principala. Impedanta nominala trebuie sa fie la valoarea de 32 ohmi.
- Nu conectati un alt aparat la acelasi circuit electric.
- Informatiile despre alimentarea cu energie electrica sunt afisate pe unitate.

NOTE CU PRIVIRE LA SPECIFICATIILE SIGURANTEI

Placa de baza a aparatului de aer conditionat are integrata o siguranta de protectie la supratensiune. Specificatiile acestei sigurante sunt mentionate pe placa de baza, astfel:
Unitatea interioara : T3.15A/250VAC, T5A/250VAC (aplicabil doar aparatelor care folosesc agent frigorific R32).
Unitatea exterioara: T20A/250VAC

NOTA: Siguranta este din material ceramic.

Cablajul unitatii exterioare

AVERTIZARE

Inainte de a incepe orice lucrare la instalatia electrica, opriti aparatul.

1. Pregatiti cablurile pentru conectare.

a. Alegeti dimensiunea corecta pentru cabluri, inainte de a pregatii conectarea. Folositi cabluri H07RN-F.

Tabelul 7.1: Celelalte regiuni

Amperajul nominal (A)	Suprafata sectiunii (mm ²)
> 3 si ≤ 6	0.75
> 6 si ≤ 10	1
> 10 si ≤ 16	1.5
> 16 si ≤ 25	2.5
> 25 si ≤ 32	4
> 32 si ≤ 40	6

Modele Super-Slim

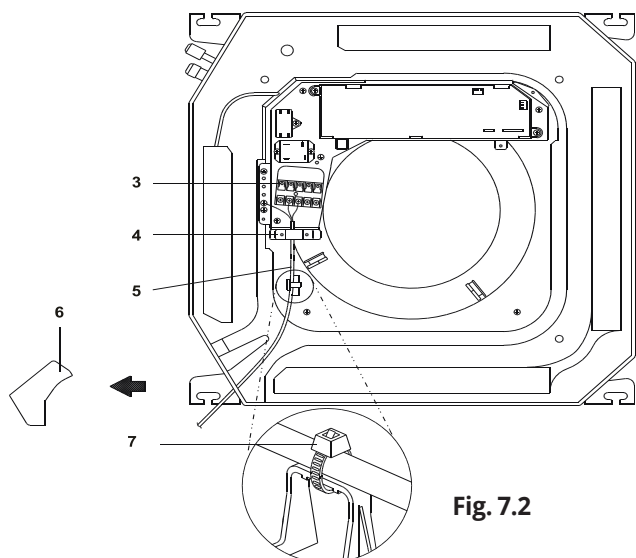
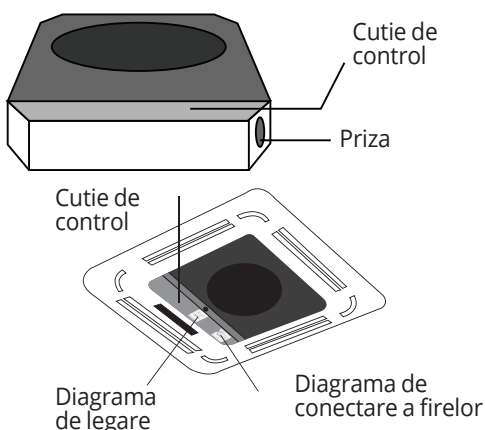


Fig. 7.2

b. Folosind clestele, inlaturati camasa protectoare la ambele capete ale cablului de semnal, pe o lungime de 15cm.

c. Fixati papucii conectori cu ajutorul unui cleste, la ambele capete ale cablurilor

d. Fixati papucii in U la capatul firelor, cu ajutorul unui cleste de sertizat

NOTA: Atunci cand conectati firele, respectati cu strictete diagrama disponibila in interiorul cutiei elctrice.

2. Inlaturati capacul unitatii exterioare. In cazul in care unitatea exterioara nu are capac, scoateti suruburile placii de mentenanta si inlaturati capacul de protectie. (vezi Fig 7.1 si 7.2)

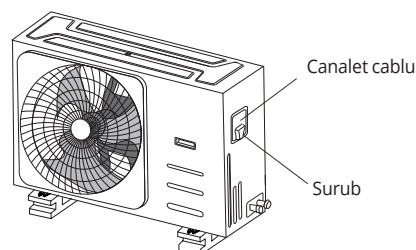


Fig. 7.1

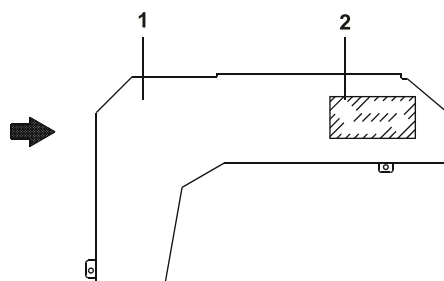
3. Conectati papucii la terminale.

Asigurati-va ca potriviti culorile/etichetele cablurilor cu cele de pe blocul terminal.

4. Fixati cablul cu o clema speciala pentru cabluri.

5. Izolati firele nefolosite cu banda izolanta. Mentineti aceste fire departe de orice componenta metalica sau electrica.

6. Reinstalati capacul cutiei.



- 1 Capacul cutiei de control
- 2 Eticheta diagramei de cablare
- 3 Blocul terminal al sursei
- 4 Clamp for wiring
- 5 Cablarea intre unitati
- 6 Capac de plastic
- 7 Clema (achizitionata separat)

Instalatiya electrica a unitatii interioare.

1. Pregastiti cablurile pentru conectare.
 - a&b. Inlaturati camasa de protectie a cablurilor, la ambele capete ale cablului de semnal, pe o lungime de 15cm.
 - c. Fixati papucii conectori cu ajutorul unui cleste, la ambele capete ale cablurilor.
2. Deschideti panoul frontal al unitatii interioare. Inlaturati capacul cutiei electrice cu ajutorul unei surubelnite.
3. Treceti cablurile de alimentare si semnal prin canaletul de cablu.
4. Conectati papucii la terminale. Asigurati-va ca potriviti culorile/etichetele cablurilor cu cele de pe blocul terminal. Dupa conectare, fixati papucii cu suruburi. Pentru ai multe informatii, puteti consulta diagrama electrica si seria, aflate pe capacul cutiei electrice.

ATENTIE

- Respectati diagrama atunci cand conectati cablurile.
 - Traseul frigorific se poate incalzii in timpul functionarii. Mentineti cablurile departe de conducta de cupru.
5. Fixati cablurile cu o clema. Cablul trebuie sa fix, pentru a nu misca papucii conectori.
 6. Montati capacul cutiei si panoul frontal al unitatii interioare.

Specificatii pentru sursa de alimentare interioara

MODEL(Btu/h)		≤18K	19K~24K	25K~36K	37K~50K	60K
POWER	FAZA	1 Phase	1 Phase	1 Phase	1 Phase	1 Phase
	VOLTAJ	208-240V	208-240V	208-240V	208-240V	208-240V
INTRERUPATOR/ SIGURANTA (A)		25/20	32/25	50/40	70/55	70/60

MODEL(Btu/h)		≤36K	37K~60K	≤36K	37K~60K
POWER	FAZA	3 Phase	3 Phase	3 Phase	3 Phase
	VOLTAJ	380-420V	380-420V	208-240V	208-240V
INTRERUPATOR/ SIGURANTA (A)		25/20	32/25	32/25	45/35

Specificatii pentru sursa de alimentare exterioara

MODEL(Btu/h)		≤18K	19K~24K	25K~36K	37K~50K	50K~60K
POWER	FAZA	1 Phase	1 Phase	1 Phase	1 Phase	3 Phase
	VOLTAJ	208-240V	208-240V	208-240V	208-240V	380-420V
INTRERUPATOR/ SIGURANTA (A)		25/20	32/25	50/40	70/55	45/35

MODEL(Btu/h)		≤36K	37K~60K	≤36K	37K~60K
POWER	FAZA	3 Phase	3 Phase	3 Phase	3 Phase
	VOLTAJ	380-420V	380-420V	208-240V	208-240V
INTRERUPATOR/ SIGURANTA (A)		25/20	32/25	32/25	45/35

Independent Power Supply Specifications

MODEL(Btu/h)		≤18K	19K~24K	25K~36K	37K~48K	49K~60K
POWER (indoor)	FAZA	1 Phase	1 Phase	1 Phase	1 Phase	1 Phase
	VOLTAJ	208-240V	208-240V	208-240V	208-240V	208-240V
INTRERUPATOR/ SIGURANTA (A)		15/10	15/10	15/10	15/10	15/10
POWER (outdoor)	FAZA	1 Phase	1 Phase	1 Phase	1 Phase	1 Phase
	VOLTAJ	208-240V	208-240V	208-240V	208-240V	208-240V
INTRERUPATOR/ SIGURANTA (A)		25/20	32/25	50/40	70/55	70/60

MODEL(Btu/h)		≤36K	37K~60K	≤36K	37K~60K
POWER (indoor)	FAZA	1 Phase	1 Phase	1 Phase	1 Phase
	VOLTAJ	208-240V	208-240V	208-240V	208-240V
INTRERUPATOR/ SIGURANTA (A)		15/10	15/10	15/10	15/10
POWER (outdoor)	FAZA	3 Phase	3 Phase	3 Phase	3 Phase
	VOLTAJ	380-420V	380-420V	208-240V	208-240V
INTRERUPATOR/ SIGURANTA (A)		25/20	32/25	32/25	45/35

Inverter Type A/C Power Specifications

MODEL(Btu/h)		≤18K	19K~24K	25K~36K	37K~48K	49K~60K
POWER (indoor)	FAZA	1 Phase	1 Phase	1 Phase	1 Phase	1 Phase
	VOLTAJ	220-240V	220-240V	220-240V	220-240V	220-240V
INTRERUPATOR/ SIGURANTA (A)		15/10	15/10	15/10	15/10	15/10
POWER (outdoor)	FAZA	1 Phase	1 Phase	1 Phase	1 Phase	1 Phase
	VOLTAJ	208-240V	208-240V	208-240V	208-240V	208-240V
INTRERUPATOR/ SIGURANTA (A)		25/20	25/20	40/30	50/40	50/40

MODEL(Btu/h)		≤36K	37K~60K	≤36K	37K~60K
POWER (indoor)	FAZA	1 Phase	1 Phase	1 Phase	1 Phase
	VOLTAJ	220-240V	220-240V	220-240V	220-240V
INTRERUPATOR/ SIGURANTA (A)		15/10	15/10	15/10	15/10
POWER (outdoor)	FAZA	3 Phase	3 Phase	3 Phase	3 Phase
	VOLTAJ	380-420V	380-420V	208-240V	208-240V
INTRERUPATOR/ SIGURANTA (A)		25/20	32/25	32/25	40/30

Precautii

⚠ ATENTIE

- Folositi o pompa de vid cu o capacitate de -0.1MPa si capacitatea de evacuare a aerului peste 40L/min .
- Unitatea exterioara nu trebuie vidata. **NU DESCHIDETI** supapele de gaz si lichid.
- Asigurati-va ca indicatorul afiseaza o valoare de maxim -0.1MPa dupa 2 ore. Dupa 3 ore de functionare, valoarea afisata este de peste -0.1MPa , verificati daca exista o scurgere de gaz sau apa in conducta. Daca nu exista scurgeri, faceti o alta vidare timp de 1-2 ore.
- **NU** folositi agent frigorific la vidarea sistemului.

Instructiuni pentru vidarea instalatiei

Inainte de folosirea unei pompe de vid cu colector, cititi manualul de utilizare pentru a va familiariza cu acest echipament.

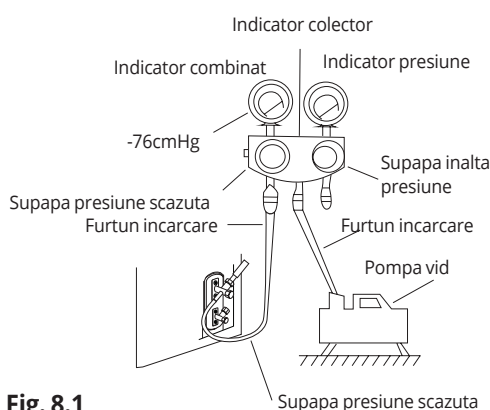


Fig. 8.1

1. Conectati furtunul de incarcare al colectorului la supapa de presiune scazuta a unitatii exterioare.
2. Conectati un alt furtun de incarcare de la indicatorul colectorului, la pompa de vid.
3. Deschideti supapa de presiune scazuta a colectorului si mentineti supapa de presiune ridicata inchisa.

4. Porniti pompa de vid pentru a etansa sistemul.
5. Mentineti pompa de vid cel putin 15 minute sau pana indicatorul combinat afiseaza -76cmHg ($-1 \times 10^5\text{Pa}$)
6. Inchideti supapa de presiune scazuta a colectorului si opriti pompa.
7. Asteptati 5 minute si apoi verificati daca exista schimbari in presiunea sistemului.

NOTA: Daca nu exista schimbari in presiunea sistemului, desurubati capacul supapei de presiune ridicata. Schimbarea presiunii sistemului poate indica o scurgere de gaz.

8. Deschideti supapa de inalta presiune cu ajutorul unei chei hexagonale (imbus), intorcand in sensul acelor de ceasornic, $1/4$ dintr-o miscare completa. Veti auzi cum gazul este evacuat din sistem. Dupa 5 secunde puteti inchide supapa.

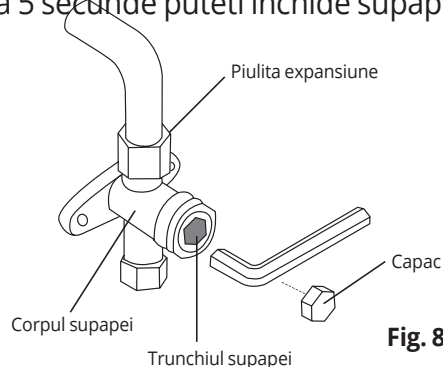


Fig. 8.2

9. Urmariti indicatorul de presiune pentru 1 minut, pentru a va asigura ca nu apar schimbari. Indicatorul va afisa o valoare usor mai mare decat presiunea atmosferica.
10. Inlaturati furtunul de incarcare de la supapa de service.
11. Folosind cheia fixa hexagonala, deschideti complet atat supapa de inalta presiune cat si pe cea de presiune scazuta.

DESCHIDETI SUPAPELE CU GRIJA

Atunci cand deschideti supapele, intoarceti cheia fixa hexagonala pana cand ajunge la opritor. **NU FORTATI** deschiderea suplimentara a supapei.

12. Strangeti capacele supapelor cu mana si apoi cu o unealta corespunzatoare.

Note cu privire la adaugarea agentului frigorific

ATENTIE

- Incarcarea cu agent frigorific trebuie facuta doar dupa finalizarea lucrarilor la instalatia electrica, etansare si dupa testul de scurgere.
- NU depasiti cantitatea maxima permisa de agent frigorific. Supraincercarea cu freon poate duce la defectarea aparatului.
- Incarcarea instalatiei cu substante necorespunzatoare poate produce explozii sau alte accidente. Asigurati-va ca folositi agentul frigorific corect.
- Containerele cu freon trebuie deschise cu grija. Folositi echipament de protectie atunci cand incarcati sistemul
- NU AMESTECATI agenti frigorifici diferiti.
- Pentru freon R290 sau R32, asigurati conditii corespunzatoare pentru utilizarea materialelor inflamabile in incapere.
- Cantitatea maxima de freon R32 care poate fi incarcata este de 305 grame.

Anumite sisteme vor necesita adaugarea de freon, in functie de lungimea conductelor. Lungimea standard a conductelor variaza in functie de legile si normele locale. De exemplu, lungimea standard pentru America de Nord este de 7.5m(25'). In alte zone, lungimea standard este de 5m (16'). Cantitatea aditionala de freon se va adauga, calculand formulele de mai jos:

Diametrul conductei penru lichid

	$\phi 6.35(1/4")$	$\phi 9.52(3/8")$	$\phi 12.7(1/2")$
R32 :	Lungimea totala a conductei-lungimea standard x 12g(0.13oz)/m(ft)	Lungimea totala a conductei-lungimea standard x 24g(0.26oz)/m(ft)	Lungimea totala a conductei-lungimea standard x 40g(0.42oz)/m(ft)

ATENTIE

NU puneti panoul cu partea frontala in jos, pe podea, perete sau alte suprafete care nu sunt drepte.

Pentru modelele: V7CRI-12WiFIR, V7CRI-18WiFIR

Pasul 1: Indepartati grila frontala.

1. Apasati cele 2 cleme in acelasi timp pentru a debloca grila.

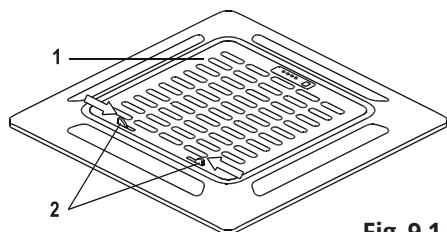


Fig. 9.1

- 1. Grila de admisie
- 2 Carligul grilei

2. Tineti grila la un unghi de 45°, ridicati-o usor si detasati-o de corpul principal.

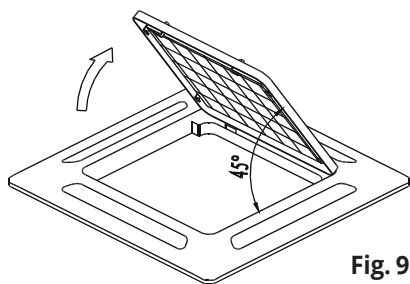
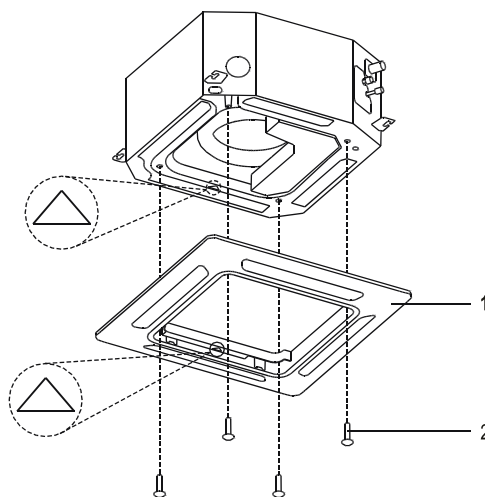


Fig. 9.2

Pasul 2: Instalarea panoului

Aliniati simbolul "△" de pe panoul decorativ, cu simbolul "△" de pe unitate.

Fixati panoul de unitate cu ajutorul suruburilor incluse.



- 1 Panou decorativ
- 2 Suruburi (M5) (incluse cu panoul)

Fig. 9.3

Dupa instalarea panoului decorative, asigurati-va ca nu exista spatiu gol intre unitate si panou. In caz contrar, ar putea aparea scrugeri (vedeti imaginera alaturata).

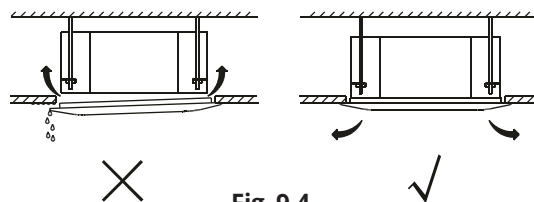


Fig. 9.4

Pasul 3: Montati grila de admisie

Asigurati-va ca toate sistemele de prindere, sunt pozitionate corect pe panou.

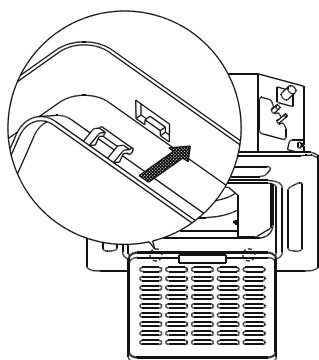


Fig. 9.5

Pasul 4: Conectati cele 2 cabluri ale panoului decorativ, la placa de baza a unitati.

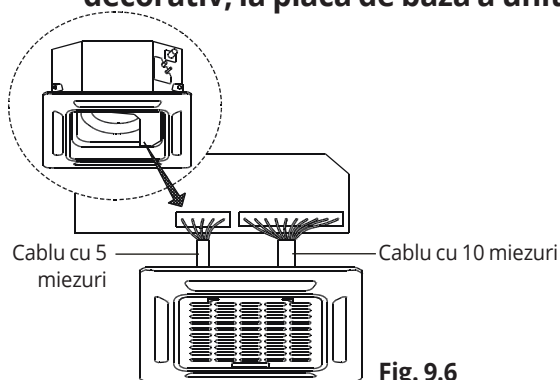


Fig. 9.6

Pasul 5: Fixati capacul panoului de control cu 2 suruburi.

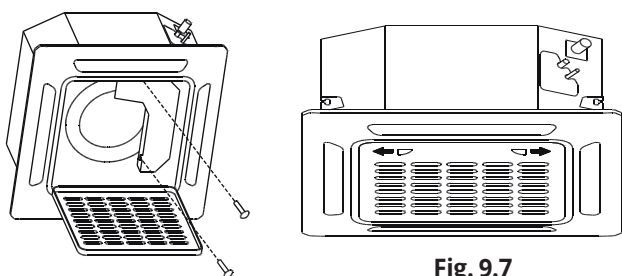


Fig. 9.7

Pasul 6: Inchideti grila de control si fixate cele 2 carlige.

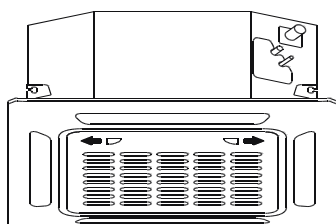


Fig. 9.8

Pentru modelele: V7CI-24WiFiR, V7CI-36WiFiR, V7CI-42WiFiR, V7CI-50WiFiR, V7CI-60WiFiR

Pasul 1: Îndepărtați grila frontală.

1. Împingeți ambele file spre mijloc simultan pentru a debloca cârligul de pe grilă.
2. Țineți grila la un unghi de 45°, ridicați-o în sus ușor și detașați-o de corpul principal.

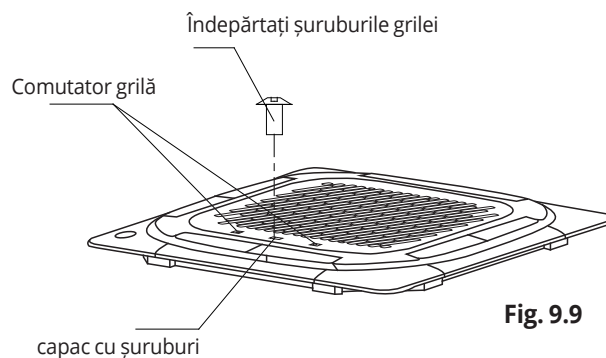
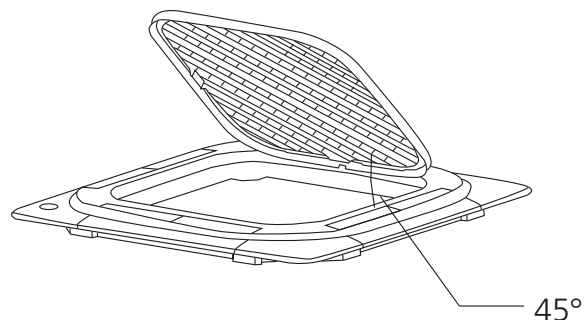


Fig. 9.9



Pasul 2: Îndepărtați capacele de instalare de la cele patru colțuri, glisându-le spre exterior.

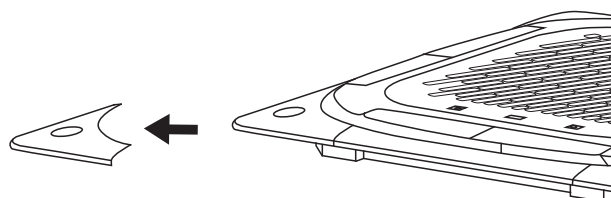


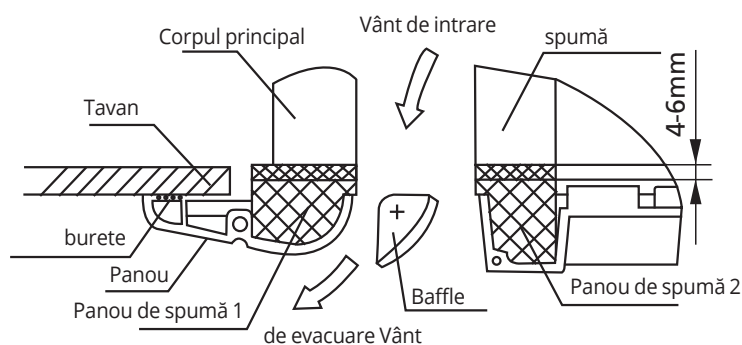
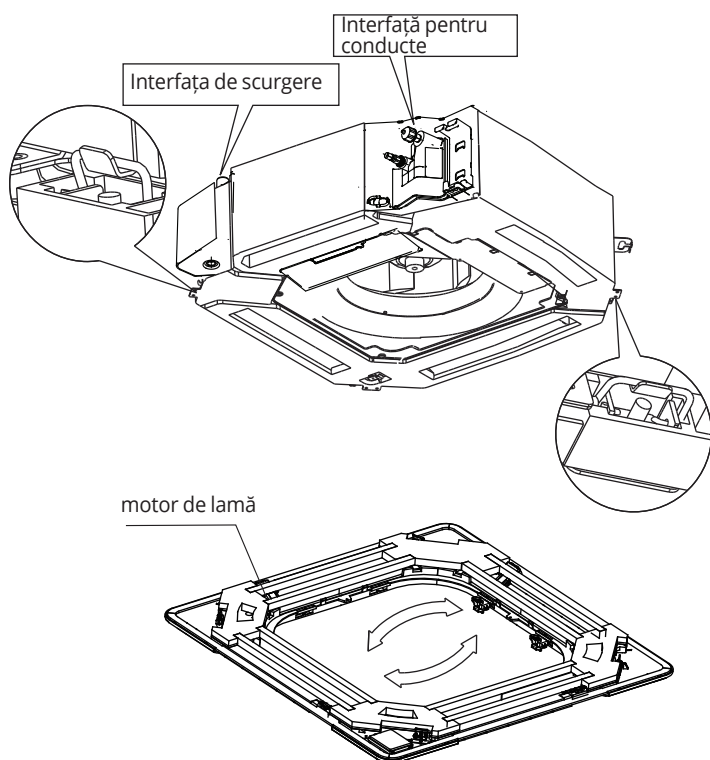
Fig. 9.10

Pasul 3: Instalarea panoului.

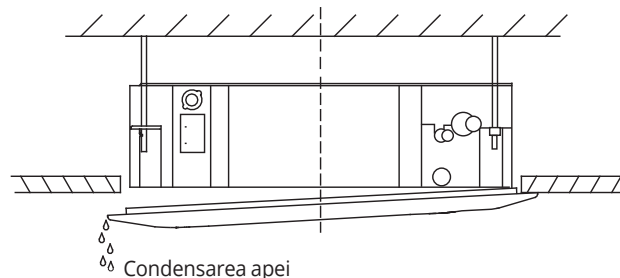
Aliniați panoul frontal la corpul principal, ținând cont de poziția țevilor și a laturilor de scurgere. Agățați cele patru zăbrele ale panoului decorativ de cârligele unității interioare. Strângeți uniform șuruburile de prindere a cârligelor panoului la cele patru colțuri.

NOTĂ: Strângeți șuruburile până când grosimea buretelui dintre corpul principal și panou se reduce la 4-6 mm (0,2-0,3"). Marginea panoului trebuie să fie în contact cu puțul tavanului.

Reglați panoul prin rotirea acestuia în direcția indicată de săgeată, astfel încât deschiderea tavanului să fie complet acoperită.completely covered.

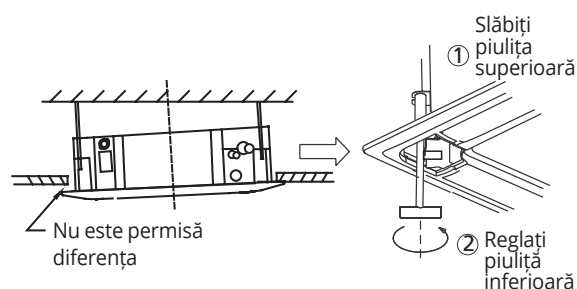


NOTĂ: Dacă înălțimea unității interioare necesită trebuie să fie ajustată, puteți face acest lucru prin intermediul deschiderile de la cele patru colțuri ale panoului. Faceți asigurați-vă că instalația electrică internă și conducta de scurgere nu sunt afectate de această ajustare.



ATENȚIE

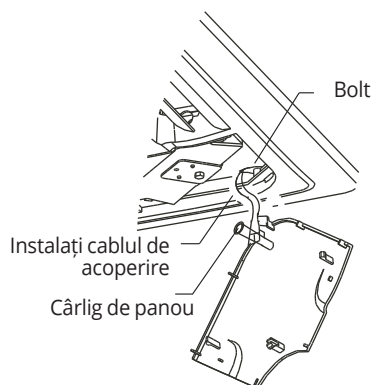
Dacă nu se strâng șuruburile, se poate produce apă scurgeri de apă.



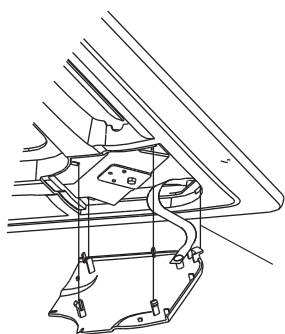
ATENȚIE

Dacă aparatul nu este atârnat corect și se creează un spațiu există un spațiu, înălțimea aparatului trebuie reglată. pentru a asigura funcționarea corectă. Înălțimea unității poate fi reglată prin slăbirea piulița superioară și ajustarea piuliței inferioare.

Agatati grila de admisie de panou, apoi fixati conectorii de plumb ai motorului flapsului si cutia de control de pe panou la conectorii corespunzatori ai corpului principal.



Reinstalarea in grila de stil. Reinstalati capacul de instalare. Fixati cablul placii pe stalpul placii capacului instalarii si apasati usor placa capacului in panou.



Cand instalati capacul, glisati cele patru elemente de fixare in sloturile corespunzatoare de pe panou.

NOTA: Dupa instalare, dopurile de pe afisaj, flapsul, pompa de apa si alte corpuri de sarma trebuie plasate in cutia de comanda electrica.

Inainte de inceperea testului

O testare a functionarii aparatului va trebui facuta dupa finalizarea instalarii. Inainte de inceperea testarii, verificati urmatoarele aspecte:

- a) Atat unitatea interioara cat si cea exterioara au fost montate corect.
- b) Tubulatura si cablajul sunt conectate corect.
- c) Asigurati-va ca prizele de admisie/evacuare aer nu sunt obstructionate. In cazul in care sunt blocate, eficienta aparatului va fi scazuta si se pot produce defectiuni.
- d) Traseul frigorific nu are scurgeri.
- e) Sistemul de scurgere nu este blocat si scurgerea se face intr-o zona sigura.
- f) Izolatia termica este instalata corect.
- g) Firele de impaantare sunt corect conectate.
- h) Lungimea traseului si cantitatea de freon au fost inregistrate.
- j) Tensiunea retelei electrice corespunde cu cerintele aparatului.

ATENTIE

Lipsa testarii poate duce la defectarea aparatului, pagube materiale sau ranirea utilizatorului.

Instructiuni

1. Deschideti supapele pentru lichid si gaz.
2. Porniti aparatul si permiteti unitatii sa se incalzeasca.
3. Treceti aparatul in modul COOL.
4. Pentru unitatea interioara:
 - a) Asigurati-va ca butoanele telecomenzii functioneaza corect.
 - b) Asigurati-va ca flapsurile functioneaza corect si ca le puteti schimba pozitia cu ajutorul telecomenzii.
 - c) Verificati daca temperatura incaperii este inregistrata corect.

- d) Verificati daca indicatorii de pe telecomanda si de pe panoul unitatii interioare functioneaza.
- e) Verificati daca butoanele aflate pe unitatea interioara functioneaza corect.
- f) Verificati daca traseul de scurgere este blocat si daca scurgerea se face corect.
- g) Verificati daca exista vibratii sau zgomote anormale in timpul functionarii.

5. Pentru unitatea exterioara
 - a) Verificati daca traseul frigorific are scurgeri
 - b) Verificati daca exista vibratii sau zgomote anormale in timpul functionarii.
 - c) Verificati daca vantul, zgomotul sau apa produsa de unitate pot afecta si pot deranja vecinii.

6. Testul de scurgere
 - a) Asigurati-va ca traseul de scurgere este corect. Cladirile nou construite vor trebuie sa faca aceasta testare dupa terminarea lucrarilor la tavan.
 - b) Inlaturati capacul pentru teste. Adaugati 2000l de apa in rezervor cu ajutorul tubului atasat.
 - c) Porniti aparatul si treceti-l in modul COOL.
 - d) Fiti atent la zgomotul generat de pompa de scurgere, pentru a detecta anumite zgomote neobisnuite.
 - e) Verificati daca apa a fost scursa in totalitate. Poate trece pana la 1 minut pana cand pompa incepe sa dreneze apa.
 - f) Asigurati-va ca nu exista scurgeri.
 - g) Opriti aparatul, opriti alimentarea centrala si reatasati capacul pentru teste.

NOTA: Daca aparatul nu functioneaza corect sau se defecteaza, consultati capitolul "DEPANARE" din manualul utilizatorului inainte de a suna departamentul de service.

Utilizatorii din tarile europene pot fi obligati sa elimine acest produs in anumite conditii. Acest aparat contine agent frigorific si alte materiale nocive. Legea impune colectarea si tratamentul special al acestui tip de deșeu. **NU ARUNCATI** acest aparat impreuna cu deseul municipal.

La eliminarea acestui aparat, respectati urmatoarele aspecte:

- Lasati acest aparat intr-o unitate speciala de colectare a deșeurilor electronice.
- La cumpararea unui aparat nou, vanzatorul va poate ridica gratuit echipamentul vechi.
- Producatorul va poate ridica produsul vechi gratuit.
- Puteti vinde aparatul catre firmele care se ocupa cu colectarea fierului vechi.

NOTA: Aruncarea acestui aparat in padure sau alte locuri din natura, dauneaza mediului inconjurator. Substantele nocive pot ajunge in panza freatica si in alimente.



Informare cu privire la service

(Valabil doar pentru unitatile care utilizeaza freon R32/R290)

12

1. Verificati zona

Inainte de a incepe lucrari la sistemele ce contin agenti frigorifici inflamabili, efectuati verificari ale mediului inconjurator pentru a elimina posibilitatea aparitiei unei scantei.

2. Procedura

Lucrarile vor fi facute intr-un mediu controlat, pentru a minimiza riscul aprinderii gazelor sau vaporilor inflamabili.

3. Zona de lucru

Toti participantii la lucrare si ceilalti angajati care sunt prezenti in zona lucrarii, vor fi informati despre natura reparatiilor. Zona in care se fac lucrarile va fi delimitata. Asigurati-va ca mediul de lucru din acea incapere va permite lucrul cu materiale inflamabile.

4. Verificati daca exista scurgeri de freon.

Verificati cu un detector de freon, daca exista gaz in incapere. Folositi echipamentul de detectare a scurgerilor inainte de a incepe lucrarea. Asigurati-va ca echipamentul de detectare a scurgerilor este perfect functional (nu emite scantei, este sigilat, etc.)

5. Disponibilitatea unui extingtor

Asigurati disponibilitatea unui extingtor cu pudra uscata sau CO2 in incaperea unde se executa lucrarile.

6. Eliminati sursele de scanteie.

In timpul lucrarilor la traseele frigorifice, ce presupun expunerea conductelor, este interzisa folosirea oricarui produs ce poate genera scanteie. Toate sursele de scanteie, incluzand fumatul, vor fi mentinute departe de locul lucrarii. Semnalizati locul lucrarii cu panouri prin care se interzice fumatul: "FUMATUL INTERZIS"

7. Aerisiti incaperea

Inainte de a incepe, asigurati-va ca incaperea in care se vor face lucrarile, este bine ventilata. Mentineti ventilatia incaperii pe toata durata lucrarilor. Acest lucru va ajuta la eliminarea freonului in caz de scurgeri.

8. Verificari ale traseului frigorific.

Asigurati-va ca, in cazul in care schimbati piese componente, acestea corespund specificatiilor impuse. Informatiile despre service si instructiunile producatorului vor fi respectate tot timpul. Daca aveti indoilei cu privire la lucrare, contactati departamentul de service al producatorului. Urmatoarele verificari sunt necesare pentru toate instalatiile care utilizeaza agenti frigorifici inflamabili:

- Cantitatea de freon incarcata, corespunde cu dimensiunea incaperii in care este instalat aparatul.
- Prizele de ventilare/evacuare a aerului nu sunt obstructionate.
- Daca folositi un un traseu frigorific, toate celelalte circuite si trasee vor fi verificate pentru a

determina prezenta freonului. Informatiile inscrise pe echipament vor fi vizibile si lizibile.

- Marcajele si semnele care nu pot fi citite, vor fi corectate.
- Verificati daca traseul frigorific si celelalte componente sunt instalate intr-o locatie in care este putin probabil ca acestea sa intre in contact cu substante corozive. Se face exceptie de la aceasta regula daca acele componente sunt construite din materiale rezistente la substante corozive.

9. Verificari ale dispozitivelor electrice.

Reparatiile si lucrarile de mentenanta executate asupra componentelor electrice vor include verificari initiale cu privire la siguranta si inspectia componentelor. In cazul existentei unei situatii care poate compromite siguranta, nici un circuit electric nu va fi conectat la reseaua electrica pana ce defectul nu este remediat. Daca remedierea nu poate fi facuta imediat dar totusi continuarea lucrarii este necesara, folositi o alta metoda, temporara, potrivita situatiei. Transmiteti informatia proprietarului pentru ca toate partile sa fie in cunostiinta de cauza.

Verificarile initiale includ:

- Descarcarea capacitorilor: aceasta lucrare se va face cu evitarea oricarei situatii care poate produce o scanteie.
- Nici un component electric nu va fi alimentat si expus in timpul lucrarilor de incarcare, recuperare sau eliminare a agentului frigorific.
- Impamantarea este legata.

10. Reparatii asupra componentelor sigilate

10.1 In cazul lucrarilor asupra componentelor sigilate, aparatul va fi oprit si scos din priza, inainte de inceperea lucrarilor sau inlaturarea oricarui capac. In cazul in care este neaparat necesara conectarea componentelor, instalati un echipament de detectare a scurgerilor.

10.2 Lucrati cu atentie, pentru a evita deteriorarea carcaselor componentelor altfel nivelul de protectie poate scadea. De atentie sporita este nevoie si atunci cand lucrati la instalatia electrica (deteriorarea cablurilor, un numar prea mare de conexiuni, conexiunile terminale nu respecta parametrii, etc.)

- Asigurati-va ca aparatul este montat corect.
- Verificati materialele cu ajutorul carora ati sigilat traseele, pentru a va asigura ca nu sunt degradate. Piese de schimb vor corespunde specificatiilor producatorului.

NOTA: Eficienta in detectarea scurgerilor poate scadea in cazul utilizarii siliconului pentru sigilare. Componentele sigure, nu trebuie izolate inainte de a incepe lucrarea asupra lor.

11. Repararea componentelor sigure.

Nu depasiti limitele superioare ale tensiunii si intensitatii, permise de catre aparat.

Componentele sigure ale aparatului, sunt singurele componente pe care se poate lucra in timp ce sunt alimentate cu energie electrica, in prezenta materialelor inflamabile.

In caz de inlocuire a unei piese, aceasta va fi inlocuita doar cu o piesa originala, specificata de catre producator. Folosirea altor piese decat cele recomandate de producator, pot produce scantei la momentul unei scurgeri de freon.

12. Cablarea

Verificati cablarea pentru a va asigura ca nu este deteriorata si ca nu exista margini ascutite in apropiere. Cand verificati, luati in considerare si "imbatranirea cablurilor" sau vibratia continua provocata de compresor si ventilatoare.

13. Detectia agentilor frigorifici inflamabili.

Nu folositi sub nici o forma surse de scantei, atunci cand verificati scurgerile de freon. De asemenea, nu trebuie folosit nici un aparat cu flama deschisa in acea incapere.

14. Metode de detectare a scurgerilor.

Metodele descrise mai jos sunt acceptate pentru sistemele ce contin agenti frigorifici inflamabili.

● Detectia electronica a scurgerilor poate fi folosita pentru a detecta scurgerile de freon inflamabil dar eficienta poate fi scazuta si recalibrarea este recomandata (recalibrarea va fi facuta intr-o incapere in care nu exista agenti frigorifici). Asigurati-va ca detectorul in sine nu este o sursa de scanteie si ca este potrivit pentru detectia agentilor frigorifici inflamabili. Echipamentului ii va fi setat un procentaj minim de detectie si va fi calibrat in functie de tipul agentului frigorific si concentratia de gaz (maxim 25%).

● Lichidele pentru detectie pot fi folosite cu toate tipurile de agenti frigorifici. Nu folositi detergenti ce contin clor deoarece acesta ar putea reactiona impreuna cu freonul si pot coroda conductele de cupru.

Daca suspectati prezenta unei scurgeri, eliminati toate flacarile deschise. Daca descoperiti o fisura ce necesita lipire, recuperati tot freonul din sistem. Pentru purjarea sistemului, folositi azot fara oxygen (OFN), pe toata durata procesului de lipire.

15. Inlaturarea si evacuarea.

Cand accesati un traseu frigorific, se recomanda respectarea instructiunilor de mai jos:

- eliminati agentul frigorific
- purjati intreg sistem cu un gaz inert.
- Eliminati aerul
- Repetati procesul de purjare.
- Deschideti circuitul prin taiere.

Freonul va fi recuperat in containere corespunzatoare. Sistemul va fi purjat cu OFN pentru siguranta aparatului. In functie de necesitati, puteti repeta procesul.

Nu folositi aer comprimat sau oxigen pentru purjare.

Eliminarea freonului se face prin pomparea de OFN in sistem pana cand se atinge presiunea sistemului, apoi evacand intregul sistem si folosind pompa de vid. Repetati acest proces pana cand eliminati intreaga cantitate de freon.

La ultima incarcare cu OFN, sistemul trebuie ventilat si depresurizat pana la presiunea normala atmosferica. Aceasta operatiune este vitala daca urmeaza sa faceti lucrari de lipire a conductelor. Asigurati-va ca evacuarea pompei de facuum nu se afla in apropierea unei surse de scanteie.

16. Procedura de incarcare.

Pe langa procedura normala de incarcare cu agent frigorific, respectati urmatoarele instructiuni:

- Asigurati-va ca agentul frigorific nu va fi contaminat cu alte substante, atunci cand folositi echipamentul de incarcare. Furtunul sau conductele de alimentare trebuie sa fie cat mai scurte.
- Recipientele vor fi mentinute in pozitie verticala.
- Asigurati-va ca traseul frigorific este impamantat.
- Dupa incarcare, etichetati sistemul.
- Nu incarcati peste limita acceptata.
- Inainte de incarcare, testati sistemul cu OFN, pentru a descoperii eventualele scurgeri.

17. Scoaterea din utilizare a aparatului.

Înainte de a începe această lucrare, este esențial ca tehnicianul să se familiarizeze cu aparatul. Este recomandat să recuperați întreaga cantitate de agent frigorific. Înainte de a începe lucrarea, prelevați esanțioane din ulei și din agentul frigorific.

Înainte de a începe recoltarea agentului frigorific, asigurați-vă că este disponibilă alimentarea cu energie electrică.

a) Familiarizați-vă cu aparatul și modul de funcționare.

b) Izolați electric sistemul

c) Înainte de a începe procedura faceți următoarele verificări :

● Aveți disponibil întregul echipament necesar.

● Aveți disponibil întregul echipament de protecție necesar și ca este folosit corect.

● Procesul de recuperare a freonului este supravegheat în permanență de către personal calificat.

● Echipamentul pentru recuperare și cilindrii de depozitare sunt conforme cu standardele.

d) Pompați freonul, dacă este posibil.

e) Dacă vidarea nu este posibilă, folosiți colectorul pentru a recupera agentul frigorific din întreaga instalație.

f) Asigurați-vă că cilindrii de depozitare se află pe cântar înainte de recuperare.

g) Operați echipamentul pentru recuperare respectând instrucțiunile producătorului.

h) Nu supraîncarcați cilindrii de depozitare. (volumul lichid nu trebuie să depășească 80%).

i) Nu depășiți limita superioară a presiunii în cilindru.

j) Când recipientele au fost umplute și lucrarea a fost terminată, înlăturați-le imediat din încăpere și închideți corect toate supapele.

k) Nu utilizați agentul frigorific recuperat în altă instalație decât după ce acesta a fost verificat și purificat.

18. Etichetarea.

O dată ce ați scos din funcție aparatul, asigurați-vă că acesta este etichetat corespunzător. Etichetele trebuie să conțină tipul de agent frigorific conținut.

19. Recuperarea.

● Atunci când eliminați freonul dintr-un sistem, pentru service sau scoaterea din folosire, este recomandat să respectați normele.

● Când transferați freonul în recipiente, asigurați-vă că doar cilindrele sunt cele potrivite.

Asigurați-vă că aveți disponibile suficiente recipiente pentru întreaga cantitate de freon. Cilindrii vor fi echipați cu supape de presiune și supape de închidere.

● Recipientele vor fi goale și racite înainte de recuperare.

● Echipamentul folosit pentru recuperare este funcțional, are instrucțiuni disponibile și este potrivit pentru respectiva lucrare. De asemenea, trebuie să aveți disponibil un cântar calibrat și funcțional.

● Furtunul pentru transfer trebuie să fie în stare perfectă, cu protecție la scurgere. Înainte de începerea recuperării, asigurați-vă că toate componentele electrice sunt izolate pentru a preveni apariția scanteilor în cazul unei scurgeri de freon.

● Freonul recuperat trebuie returnat distribuitorului în recipientele corespunzătoare, etichetate corect. Nu amestecați agenții frigorifici!

● În cazul în care trebuie să înlăturați compresorul sau uleiul pentru compresor, asigurați-vă că ați eliminat întreaga cantitate de freon înainte de returnarea către producător. Pentru a accelera procesul, puteți folosi DOAR încălzirea electrică.

20. Transportul, etichetarea si depozitarea aparatelor.

1. Transportul echipamentelor care contin materiale inflamabile trebuie sa respecte normele si legile in vigoare.
 2. Semnalizarea echipamentelor se va face prin marcaje si etichete ce respecta normele si legile in vigoare.
 3. Eliminarea deseurilor se va face respectand legile in vigoare.
 4. Depozitarea echipamentelor va respecta instructiunile producatorului.
 5. Depozitarea produselor in ambalaj original (nevandute), se va face astfel incat, orice deteriorare mecanica nu va produce scurgeri de freon.
- Numarul maxim de unitati depozitate va respecta normele locale.

Toate imaginile din acest manual, au scop pur informativ. Forma reala a produsului pe care l-ati cumparat poate fi usor diferita insa functiile si operatiile sunt aceleasi.

Compania nu isi asuma nici o responsabilitate pentru greselile de tipar. Aspectul fizic si specificatiile tehnice se pot schimba fara o notificare prealabila datorita imbunatatirii continue a echipamentelor noastre.

Pentru mai multe detalii, va rugam sa contactati producatorul la numarul de telefon : +30 211 300 3300, sau vanzatorul echipamentului. Toate actualizarile acestui manual vor fi disponibile pe website-ul nostru si va recomandam sa verificati intotdeauna pentru aparitia unei noi versiuni.

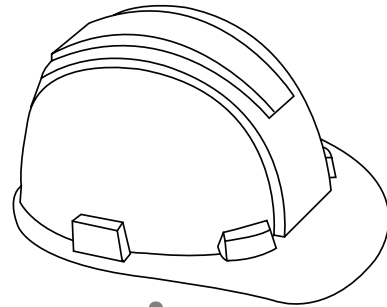


Scanati codul QR pentru a descarca ultima versiune a manualului.
www.inventoraerconditionat.ro/biblioteca-media

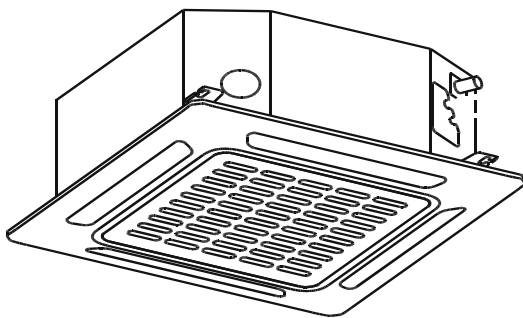
Inhalt

Installationshandbuch

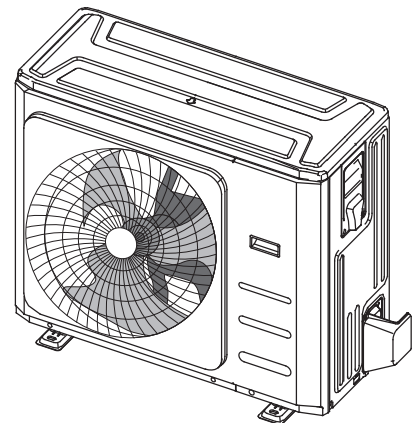
1	Sicherheitshinweise	04
2	Bauteile	09



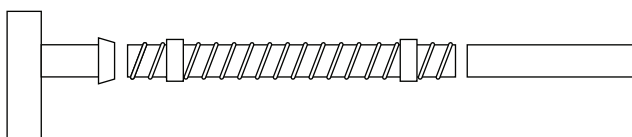
3	Installation der Außeneinheit.....	10
	Teile der Inneneinheit.....	10
	Installationsanleitung für die Außeneinheit	11



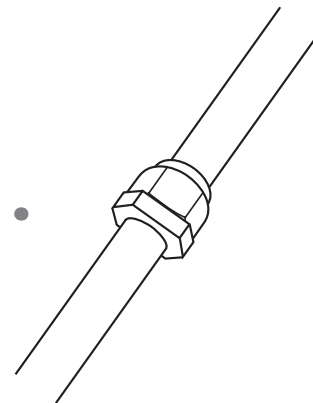
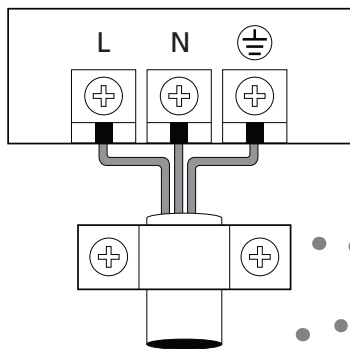
4	Installation der Außeneinheit.....	14
	Installationsanleitung für die Außeneinheit	14
	Typen und Spezifikationen der Außeneinheiten	16
	Hinweise zur Lochbohrung in der Wand ...	16



5	Installation der Ablaufleitung.....	17
----------	-------------------------------------	----



6	Anschluss von Kältemittelleitungen.....	19
	Hinweise zur Länge und zum Heben des Rohrs	19
	Anweisungen zum Anschließen von	
	Kältemittelleitungen.....	20



7	Verkabelung.....	23
	Verkabelung der	
	Außeneinheit	24
	Verkabelung der	
	Außeneinheit	25

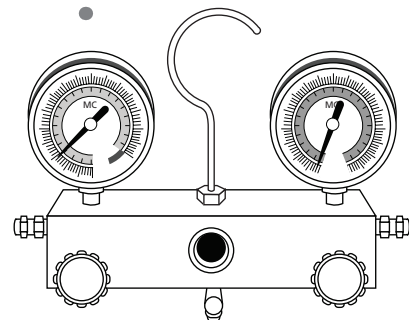
8	Luftentleerung.....	26
	Entleerungsanleitung	26
	Hinweis zur Kältemittelfüllung.....	27

9	Installation des Bedienfelds.....	28
----------	-----------------------------------	----

10	Testbetrieb	37
-----------	-------------------	----

11	Anweisungen zur Entsorgung in der Europäischen Union.....	38
-----------	---	----

12	Reparaturhinweise.....	39
-----------	------------------------	----



Vorsicht:
BRANDGEFAHR
(Kältemittel R32/R290)

WARNUNG:

Der Service sollte nur in der vom Hersteller empfohlenen Weise durchgeführt werden. Wartungs- und Reparaturarbeiten, die die Unterstützung durch anderes qualifiziertes Personal erfordern, sollten unter Aufsicht der Person durchgeführt werden, die für die Verwendung brennbarer Kältemittel verantwortlich ist. Weitere Informationen finden Sie in den Serviceinformationen im INSTALLATIONSHANDBUCH. (Dies ist nur für Geräte erforderlich, bei denen das Kältemittel R32/R290 eingesetzt wird).

Vor Beginn der Installationsarbeiten, bitte die Sicherheitsvorkehrungen lesen

Eine unsachgemäße Installation, die auf nicht Kenntnisnahme der Anleitung zurückzuführen ist, kann ernsthafte Schäden oder Verletzungen verursachen.

Die Schwere des eventuellen Schadens oder der Verletzung wird als WARNUNG oder VORSICHT angegeben.



Nichtbeachtung kann zum Tod führen. Das Gerät muss gemäß den nationalen Vorschriften installiert werden.



Die Nichtbeachtung kann eine Verletzung oder einen Schaden des Geräts zur Folge haben.



Dieses Symbol zeigt an, dass Sie die angegebene Aktion niemals ausführen sollten.



WARNUNG

1. Vor Beginn der Installationsarbeiten, bitte sorgfältig die Sicherheitsvorkehrungen lesen.
2. In manchen Betriebsumfeldern, wie Küchen, Rechenzentren (server) usw., wird die Nutzung von speziell ausgelegten Klimaanlage empfohlen.
3. Nur ausgebildete und qualifizierte Fachmänner dürfen an dieser Klimaanlage Installations- und Reparaturarbeiten durchführen.
4. Eine eventuell unsachgemäße Installation kann zu einem Stromschlag, Kurzschluss, Ausfluss, Brand oder einer Störung am Gerät oder zu anderen Materialschäden führen. (In Nordamerika darf die Installation gemäß den Anforderungen von NEC und CEC nur von einem lizenzierten Techniker durchgeführt werden).
5. Beachten Sie unbedingt die Installationsanweisungen in dieser Anleitung.
6. Bevor Sie dieses Gerät installieren, beachten Sie bitte ob starker Wind, intensive Wetterbedingungen oder Erdbeben das Gerät beeinflussen können und wählen Sie einen geeigneten Installationsort. Anderenfalls kann ein Betriebsausfall des Geräts verursacht werden.
7. Dieses Gerät kann von Kindern ab 8 Jahren, Personen mit eingeschränkten körperlichen, intuitiven oder geistigen Fähigkeiten oder von Personen ohne Erfahrung und Kenntnis benutzt werden, wenn diese einer geeigneten Aufsicht oder Führung bezüglich des sicheren Gebrauchs des Geräts unterzogen worden sind und die diesbezüglichen Gefahren verstanden haben. Kinder dürfen nicht mit dem Gerät spielen. Die Reinigung und Wartung darf nicht von Kindern ohne Aufsicht durchgeführt werden. (Definierte Anforderungen EN).
8. Verwenden Sie keine Beschleunigungsmittel für das Auftauen oder das Reinigen, die nicht vom Hersteller empfohlen werden.
9. Dieses Gerät ist nicht für den Gebrauch durch Personen (einschließlich Kinder) mit eingeschränkten körperlichen, sensorischen oder geistigen Fähigkeiten oder mangelnden Erfahrungen und Kenntnissen bestimmt, es sei denn, sie wurden ordnungsgemäß beaufsichtigt oder in Bezug auf die sichere Verwendung des Geräts instruiert und verstehen die Gefahren einer solchen Verwendung.
10. Kinder dürfen nicht mit dem Gerät spielen. (Definierte Anforderung IEC).
11. Wenn das Netzkabel beschädigt ist, muss es vom Hersteller, vom Kundendienst oder von qualifizierten Personen ausgetauscht werden, um Gefahren zu vermeiden.
12. Das Gerät muss gemäß den nationalen Verdrahtungsvorschriften installiert werden.

WARNUNG

13. Festverdrahtung muss gemäß den geltenden Installationsvorschriften eine mehrpolige Trennvorrichtung mit einem Abstand von mindestens 3 mm über alle Pole und einem Leckstrom, der 10 mA überschreiten kann, umfassen, mit einem Fehlerstromschutzschalter (RCD) mit einem Bemessungsfehlerstrom von nicht mehr als 30 mA.
14. Das Trennen des Geräts vom Netz sollte gemäß den Vorschriften für elektrische Anschlüsse erfolgen.
15. Jede Person, die sich mit Kühlmittelleitungen beschäftigt bzw. in solche eingreift, muss über ein gültiges und geltendes Zertifikat verfügen, dass von einer branchenbedingten zertifizierten Behörde ausgestellt wird, die die Fähigkeit der Person bestätigt sicher mit Kühlmitteln umzugehen, gemäß den von der Branche anerkannten Beurteilungsstandards.
16. Die Wartung muss nur gemäß den Empfehlungen des Herstellers des Gerätes erfolgen.
17. Im Fall in dem für die Wartung und Reparatur die Hilfe einer anderen Fachperson erforderlich ist, muss diese unter Aufsicht der Person erfolgen, die über die Zertifizierung für den Umgang mit entzündlichen Kühlmitteln verfügt.
18. Das Gerät muss so gelagert werden, dass mechanische Beschädigungen vermieden werden.
19. Halten Sie die Entlüftungsöffnungen von Hindernissen fern.
20. Schalten Sie den Strom erst ein, wenn die Arbeit abgeschlossen ist.
21. Wenn Sie die Klimaanlage bewegen oder umstellen, wenden Sie sich an erfahrene Servicetechniker für die Trennung vom Netz und erneute Installation der Einheit.
22. In manchen Betriebsumfeldern, wie Küchen, Rechenzentren (server) usw., wird die Nutzung von speziell ausgelegten Klimaanlagen empfohlen.
23. Die Steckdose muss von jedem Punkt aus kontrolliert werden können, dass sie getrennt ist.
24. Wenn dies aufgrund der Konstruktion des Geräts oder seiner Installation nicht möglich ist, muss die Trennung mit einem Verriegelungssystem in isolierter Position erfolgen.
25. Lesen Sie für die Installationsschritte des Geräts die Details "Inneneinheit" und "Außeneinheit-Installation".

VORSICHT

- ⊗ Bei Geräten mit elektrischer Zusatzheizung, installieren Sie das Gerät nicht in einem Umkreis von 1 Meter (3 feet) von brennbaren Materialien.
 - ⊗ Stellen Sie das Gerät nicht in einer Position auf, die umgelaufenen Abgasen ausgesetzt sein kann. Wenn sich um das Gerät herum umgelaufene Abgase ansammeln, kann dies zu einem Brand führen.
 - ⊗ Verwenden Sie Ihre Klimaanlage nicht in Räumen wie z. B. einem Badezimmer oder einem Raum mit Elektrogeräten. Wasser kann zu einem Kurzschluss in den elektrischen Komponenten führen.
1. Das Produkt muss zum Zeitpunkt der Installation gut geerdet sein, da dies zu einem elektrischen Schlag führen kann.
 2. Installieren Sie die Ablaufleitungen gemäß den Anweisungen in dieser Anleitung. Ein falscher Ablauf kann im Haus oder in Ihrem Raum zu Wasserlecks führen.



Warnhinweise für die Verwendung von Kühlmittel R32 / R290

1. Installation (Raum)

- Die Installation der Rohre muss auf ein Minimum beschränkt sein.
- Die Rohre müssen vor physischer Beschädigung geschützt werden.
- Die Einhaltung der nationalen Gasvorschriften ist zu beachten.
- Mechanische Verbindungen müssen zu Wartungszwecken zugänglich sein.
- In Fällen, in denen eine mechanische Entlüftung erforderlich ist, müssen die Entlüftungsöffnungen von Hindernissen ferngehalten werden.
- Bei der Entsorgung des Produkts müssen Sie sich auf nationale Vorschriften verlassen.
- Das Gerät sollte in einem gut belüfteten Bereich gelagert werden, der seiner Betriebsgröße entspricht.
- Elemente, in denen Kältemittelleitungen den nationalen Gasvorschriften entsprechen müssen.

2. Wartung

- Jede Person, die an einer Arbeit oder einem Ausfall in einem Kältemittelkreislauf beteiligt ist, muss im Besitz eines gültigen Zertifikats einer anerkannten Zertifizierungsstelle sein, das ihre Fähigkeit zum sicheren Umgang mit Kältemitteln gemäß einem branchenweit anerkannten Bewertungsstandard genehmigt.
- Die Wartung darf nur gemäß den Anweisungen des Geräteherstellers durchgeführt werden. Wartung und Reparatur erfordern die Unterstützung eines anderen zugelassenen Technikers unter Aufsicht der für die Verwendung von umlaufenden Abgasen verantwortlichen Person.

3. Verwenden Sie keine Mittel, um das Abtauen oder Reinigen zu beschleunigen, außer den vom Hersteller empfohlenen.

4. Das Gerät muss in einem Raum ohne ständige Zündquellen gelagert werden (z. B. offene Installationen, ein funktionierendes Gasgerät oder ein funktionsfähiges elektrisches Heizgerät).

5. Nicht durchbohren oder verbrennen.

6. Beachten Sie, dass Kühlmittel keinen Geruch enthalten können.

7. Achten Sie darauf, dass keine Fremdkörper wie Öl, Wasser usw. in die Rohrleitungen gelangen. Bei der Lagerung der Rohre die Öffnung der Sicherung mit Isolierband usw. abdichten. Verwenden Sie bei Innengeräten R32-Kühlmittel zum Verbinden von Fugen, nur wenn Sie das Innengerät und das Außengerät anschließen (beim Innenanschluss). Die Verwendung von Rohren oder Fittings kann zu Funktionsstörungen, Rohrbrüchen oder Verletzungen führen, aufgrund des hohen Innendrucks des Kältemittelkreislaufs, der durch einströmende Luft verursacht wird.

8. Die Maschine muss in einem Raum mit einer Fläche von mehr als X m² installiert, betrieben und gelagert werden (siehe nachstehendes Formular). Das Gerät sollte nicht in einem unbelüfteten Raum installiert werden, wenn dieser Platz weniger als X m² beträgt (siehe folgendes Formular).

Incarcatura maxima pentru o camera trebuie sa fie in conformitate cu urmatoarea formula:

$$m_{\max} = 2,5 \times (\text{LFL})^{(5/4)} \times h_0 \times (\text{A})^{1/2}$$

oder die erforderliche Mindestbodenfläche A zur Installation eines Geräts mit Kältemittelfüllung M(kg) muss in Übereinstimmung mit den folgenden Angaben sein:

$$A_{\min} = (M / (2,5 \times (\text{LFL})^{(5/4)} \times h_0))^2$$

Wenn:

m_{\max} ist die zulässige maximale Füllmenge in einem Raum, in kg;

M ist die Kältemittelfüllmenge im Gerät, in kg;

A_{\min} ist die erforderliche Mindestraumfläche in m²;

A ist die Raumfläche, in m²;

LFL ist die untere Explosionsgrenze in kg/m³

h_0 ist die Auslösehöhe, der vertikale Abstand in Metern vom Boden bis zum Punkt der Auslösepunkt, wenn das Gerät installiert ist;

$h_0 = (h_{\text{inst}} + h_{\text{rel}})$ oder 0,6 m, je nachdem, welcher Wert höher ist

h_{rel} ist der Auslöseversatz in Metern von der Unterseite des Geräts bis zum Punkt der Auslösung

h_{inst} ist die installierte Höhe des Geräts in Metern

Die Referenz-Einbauhöhen sind unten angegeben:

0,0 m für tragbare und bodenmontierte Geräte;

1,0 m für die Fenstermontage;

1,8m für die Wandmontage;

2,2 m für die Deckenmontage;

Wenn die vom Hersteller angegebene minimale Einbauhöhe größer ist als die Referenzeinbauhöhe, dann müssen zusätzlich A_{\min} und m_{\max} für die Referenzeinbauhöhe vom Hersteller angegeben werden. Ein Gerät kann mehrere Referenzeinbauhöhen haben.

In diesem Fall müssen die Berechnungen von A_{\min} und m_{\max} für alle zutreffenden Referenzeinbauhöhen angegeben werden.

Bei Geräten, die einen oder mehrere Räume mit einem Luftkanalsystem versorgen, ist für h_0 die unterste Öffnung des Kanalanschlusses zu jedem klimatisierten Raum oder jede Öffnung des Innengeräts, die größer als 5 cm ist, an der tiefsten Stelle zum Raum zu verwenden. Jedoch darf h_0 nicht kleiner sein als 0,6 m sein.

A_{\min} ist in Abhängigkeit von den Öffnungshöhen des Kanals zu den Räumen und der Kältemittelfüllmenge für die Räume zu berechnen, in die austretendes Kältemittel fließen kann, wobei der Standort des Geräts zu berücksichtigen ist. Alle Räume müssen eine Bodenfläche haben, die größer als A_{\min} ist.

HINWEIS 1 Diese Formel kann nicht für Kältemittel verwendet werden, die leichter als 42 kg/kmol sind.

HINWEIS 2 Einige Beispiele für die Ergebnisse der Berechnungen nach der obigen Formel sind in den Tabellen 1-1 und 1-2 aufgeführt.

HINWEIS 3 Bei werkseitig versiegelten Geräten kann zur Berechnung von Amin das Typenschild am Gerät selbst, auf dem die Kältemittel kann zur Berechnung von Amin verwendet werden.

HINWEIS 4 Bei feldbefüllten Produkten kann die Berechnung von Amin auf der Grundlage der installierten Kältemittelfüllung erfolgen.

Die Berechnung von Amin kann auf der Grundlage der installierten Kältemittelfüllung erfolgen, wobei die werkseitig angegebene maximale Kältemittelfüllung nicht überschritten werden darf.

Tabelle 1-1 Max. Kältemittelfüllmenge (kg)

Kältemittel Typ	LFL (kg/m ³)	Einbau Höhe H0(m)	Bodenfläche (m ²)						
			4	7	10	15	20	30	50
R32	0.306								
		0.6	0.68	0.90	1.08	1.32	1.53	1.87	2.41
		1.0	1.14	1.51	1.80	2.20	2.54	3.12	4.02
		1.8	2.05	2.71	3.24	3.97	4.58	5.61	7.24
		2.2	2.50	3.31	3.96	4.85	5.60	6.86	8.85
R290	0.038	0.6	0.05	0.07	0.08	0.10	0.11	0.14	0.18
		1.0	0.08	0.11	0.13	0.16	0.19	0.23	0.30
		1.8	0.15	0.20	0.24	0.29	0.34	0.41	0.53
		2.2	0.18	0.24	0.29	0.36	0.41	0.51	0.65






Tabelle 1-2 Mindestraumfläche (m²)

Kältemittel Typ	LFL (kg/m ³)	Einbau Höhe H0(m)	Ladung Menge in kg Mindestraumfläche (m ²)						
			1.224 kg	1.836 kg	2.448 kg	3.672 kg	4.896 kg	6.12 kg	7.956 kg
R32	0.306								
		0.6		29	51	116	206	321	543
		1.0		10	19	42	74	116	196
		1.8		3	6	13	23	36	60
		2.2		2	4	9	15	24	40
R290	0.038		0.152 kg	0.228 kg	0.304 kg	0.456 kg	0.608 kg	0.76 kg	0.988 kg
		0.6		82	146	328	584	912	1541
		1.0		30	53	118	210	328	555
		1.8		9	16	36	65	101	171
		2.2		6	11	24	43	68	115

Hinweis bezüglich fluoriertes Gase

1. Diese Klimaanlage enthält fluorierte Gase. Weitere Informationen zum Typ und zur Menge des Gases entnehmen Sie dem entsprechenden Schild auf dem Gerät oder "Benutzerhandbuch - Produkt Bulletin" auf der Verpackung des Außengeräts. (Nur Produkte der Europäischen Union).
2. Installations-, Inspektions-, Wartungs- und Reparaturarbeiten an dieser Anlage müssen durch eine zertifizierte Fachperson durchgeführt werden.
3. Die Demontage und das Recycling des Produkts muss durch eine zertifizierte Fachperson durchgeführt werden.
4. Wenn in der Anlage ein Leckage-Erkennungssystem installiert ist, muss dieses mindestens einmal alle 12 Monate kontrolliert werden.
5. Wir empfehlen bei der Leckagekontrolle der Anlage ein Protokoll mit den vorgenommenen Kontrollen zu führen.




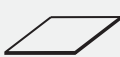


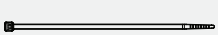







Erläuterung zu den Symbolen, die am Innen- bzw. Außengerät abgebildet werden (gilt nur für Geräte die Kühlmittel R32/R290 benutzen):

	WARNUNG	Dieses Symbol weist darauf hin dass bei diesem Gerät ein entzündliches Kühlmittel benutzt wird. Wenn Kühlmittel ausläuft und dieses einer externen Zündquelle ausgesetzt ist besteht Brandgefahr.
	VORSICHT	Dieses Symbol weist darauf hin dass Sie die Gebrauchsanleitung sorgfältig lesen müssen.
	VORSICHT	Dieses Symbol weist darauf hin dass die Bedienung der Einrichtung von einer zugelassenen Fachperson unter Beachtung des Installationshandbuchs erfolgen muss.
	VORSICHT	
	VORSICHT	Dieses Symbol weist darauf hin dass die Informationen in gedruckter Form verfügbar sind, zum Beispiel Gebrauchsanleitung oder Installationshandbuch.

Bauteile

1

Die Klimaanlage verfügt über die unten aufgeführte Bauteile. Benutzen Sie alle Teile und Bauteile der Anlage um die Klimaanlage zu installieren. Eine eventuell unsachgemäße Installation kann zu einem Wasserauslauf, Stromschlag und Brand oder Zerstörung des Geräts führen.

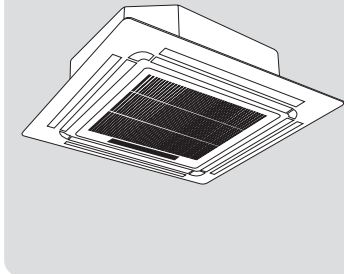
Tipul de agent frigorific					
Manual	2		Dichtungsmaterial aus Schaumstoff (bestimmte Modelle)	1	
Auslassrohrabdeckung	1		(bestimmten Modelle)	1	
Ausgangsrohrkragen	1		Ablaufleitung	1	
Curea	4		Dichtungsring	1	
Suruburi	4		Schraubenmutter	2	
Magnetring (Nach der Installation am Verbindungskabel zwischen Innengerät und Außengerät einhängen)			Magnetring (um den Magnetring zweimal zu umgeben)	1	
Fernbedienungshalterung	1		Befestigungsschraube für die Fernbedienungshalterung ST2.9 x 10	2	

HINWEIS

- Für dieses Innengerät muss ein Rahmen installiert werden.

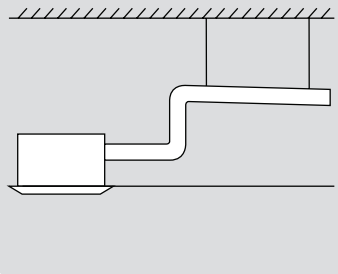
Installation Summary

1



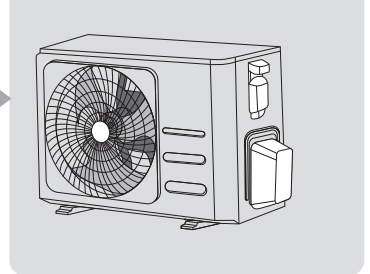
Installieren Sie das Innengerät

2



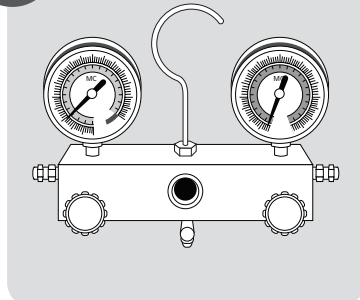
Installieren Sie das Ablaufrohr

3



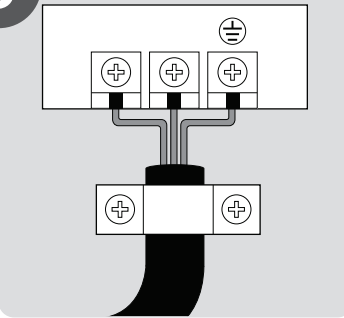
Installieren Sie das Außengerät

6



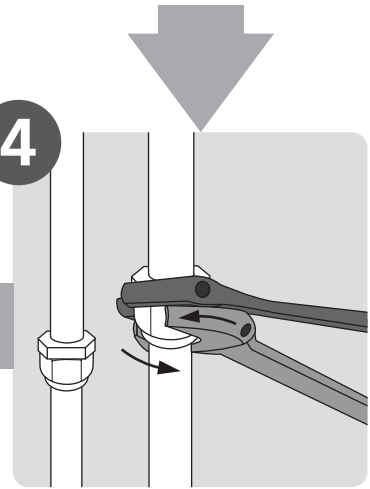
Entlüftung Anschließen der Drähte

5



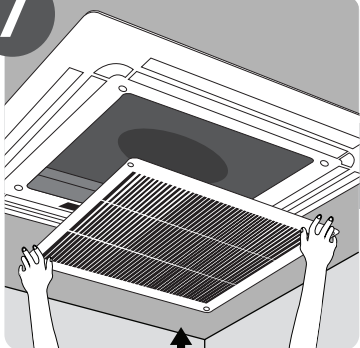
Anschließen der Drähte

4



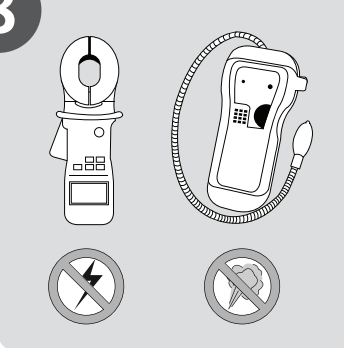
Verbinden Sie die Kältemittel Leitungen

7



Montieren Sie die Frontplatte

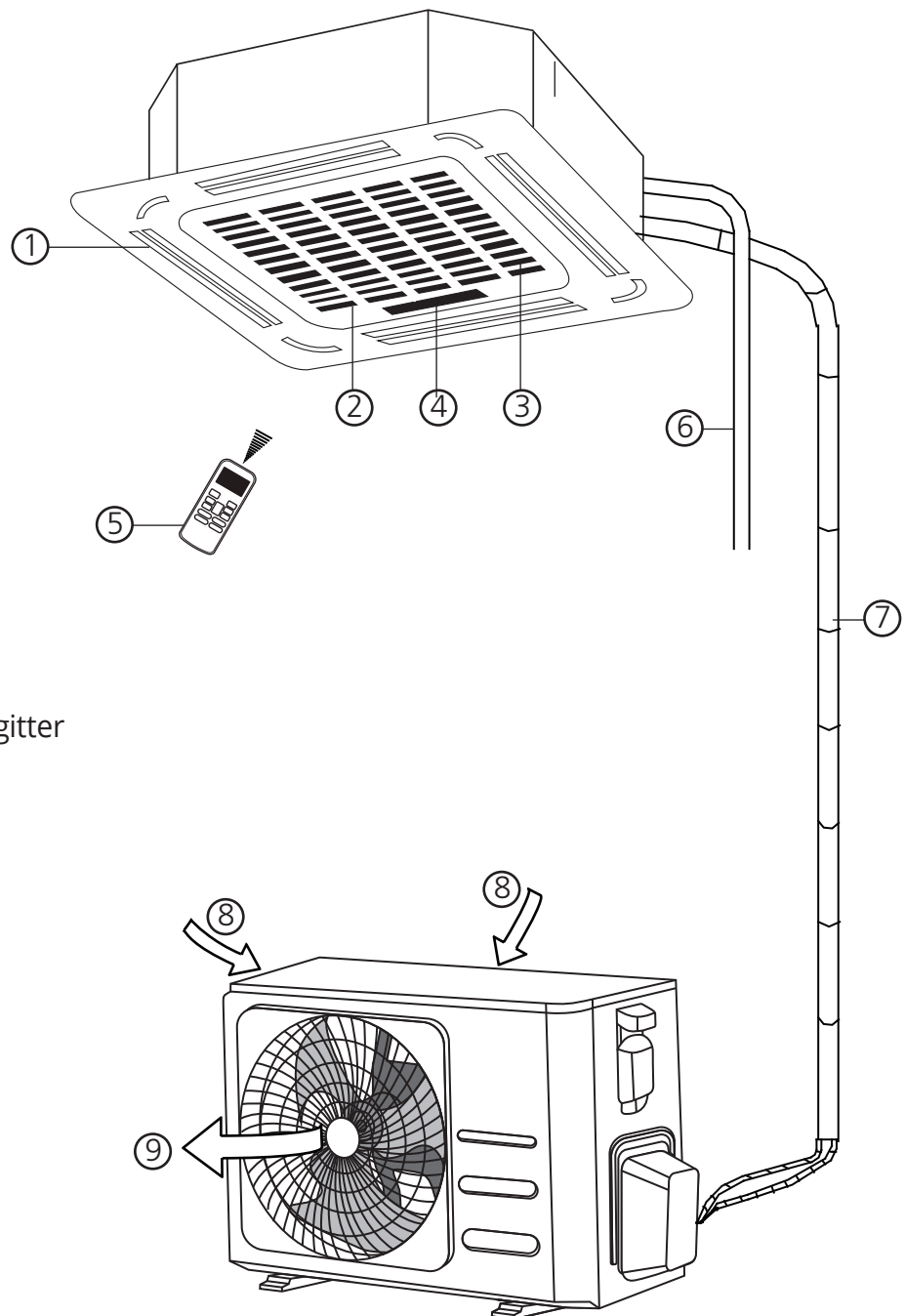
8



Einen Testlauf durchführen

Teile der Inneneinheit

(A)

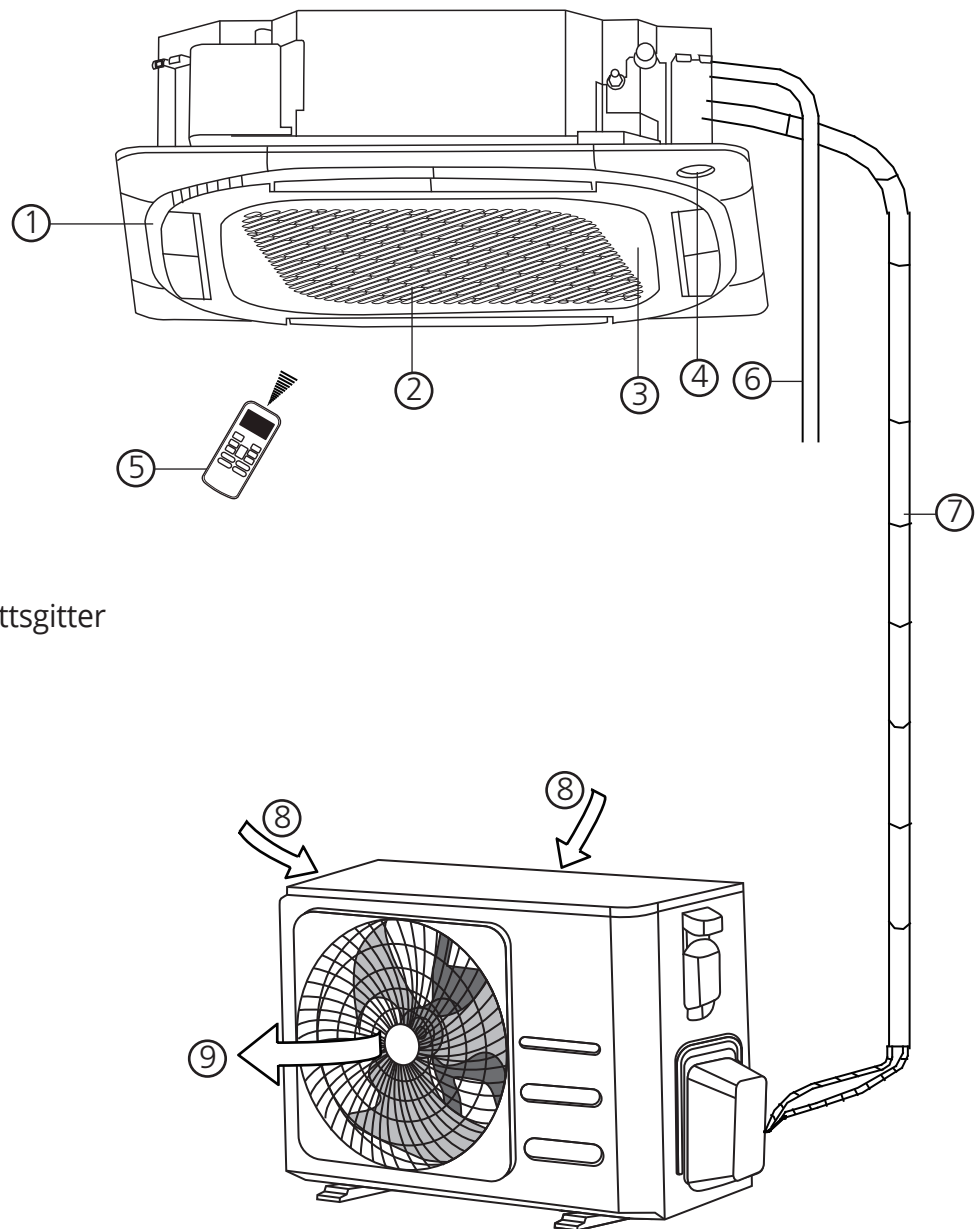


- ① Luftauslass
- ② Lufteinlass
- ③ Vorderes Luftaustrittsgitter
- ④ Anzeige feld
- ⑤ Fernbedienung
- ⑥ Abfluss rohr

- ⑦ K hlmittelrohr
- ⑧ Lufteinlass
- ⑨ Luftauslass

Abb. 3.1

(B)



- ① Luftauslass
- ② Lufteinlass
- ③ Vorderes Luftaustrittsgitter
- ④ Anzeige feld
- ⑤ Fernbedienung
- ⑥ Abfluss rohr

- ⑦ Kühlmittelrohr
- ⑧ Lufteinlass
- ⑨ Luftauslass

Sicherheitsvorkehrungen

! WARNUNG

- Installieren Sie das Innengerät fest in einer Konstruktion, die seinem Gewicht standhält. Wenn diese Konstruktion nicht robust ist, kann das Gerät herunterfallen und Verletzungen, Schäden am Gerät oder andere Sachschäden oder Tod verursachen.
- Installieren Sie das Innengerät in einer Höhe von höchstens 2,5 m (8') über dem Boden. **Stellen** Sie das Innengerät NICHT in einem Badezimmer oder einer Waschküche auf, da die übermäßige Luftfeuchtigkeit in diesen Bereichen zu einem Kurzschluss des Geräts und zu Korrosion der Kabel führen kann.

! VORSICHT

- Installieren Sie das Innen- und Außengerät, die Kabel und die Leitungen in einem Abstand von mindestens 1 Meter (3.2') zu Fernseh- oder Radiogeräten, damit kein Rauschen und Bildverzerrungen entstehen. Je nach Gerät reicht der Abstand von 1 m (3.2') möglicherweise nicht aus.
- Wenn das Innengerät in einem Metallteil des Gebäudes installiert ist, muss es gut geerdet sein.

Installationsanleitung für die Inneneinheit

HINWEIS: Die Installation des Panels sollte nach den Rohrverbindungen und der Verdrahtung erfolgen.

1. Schritt: Wählen Sie den Installationsort aus.

Die Inneneinheit muss an einem Ort installiert werden, der folgenden Bedingungen entspricht:

- ✓ Das Gerät ist mindestens 1 m (39") von der nächsten Wand entfernt.
- Es gibt viel Platz für Installations- und Wartungsarbeiten.
- ✓ Es gibt viel Platz, um die Rohrleitungen und die Ablaufleitung anzuschließen.
- ✓ Die Decke ist horizontal und ihre Struktur kann das Gewicht der Inneneinheit aufnehmen.
- ✓ Der Lufteinlass und -auslass sind nicht blockiert.
- ✓ Der Luftstrom kann in den gesamten Raum geleitet werden.
- ✓ Es gibt keine direkte Strahlung aus Heizkörpern.

! VORSICHT

Installieren Sie das Gerät NICHT an den unten angegebenen Orten:

- ⊗ Bereiche, in denen Öl- oder Gasförderung stattfindet.
- ⊗ Küstengebiete mit hohem Salzgehalt in der Atmosphäre.
- ⊗ Orte, an denen die Luft ätzende Gase enthält, wie z. B. in der Nähe von Thermalquellen
- ⊗ Bereiche an denen Stromschwankungen auftreten, wie Fabriken.
- ⊗ Geschlossene Bereiche wie Schränke.
- ⊗ Küchen, in denen Erdgas verwendet wird.
- ⊗ Bereiche, in denen starke elektromagnetische Wellen auftreten.
- ⊗ Bereiche in denen brennbare Materialien oder Gase gelagert werden.
- ⊗ Räume mit hoher Luftfeuchtigkeit, z. B. Bad oder Waschküche.

EMPFOHLENE ABSTÄNDE ZWISCHEN DER INNENEINHEIT UND DER DECKE

Der Abstand zwischen dem Innengerät und der Zwischendecke muss den folgenden Spezifikationen entsprechen: (Siehe Abb. 3.2)

(A)

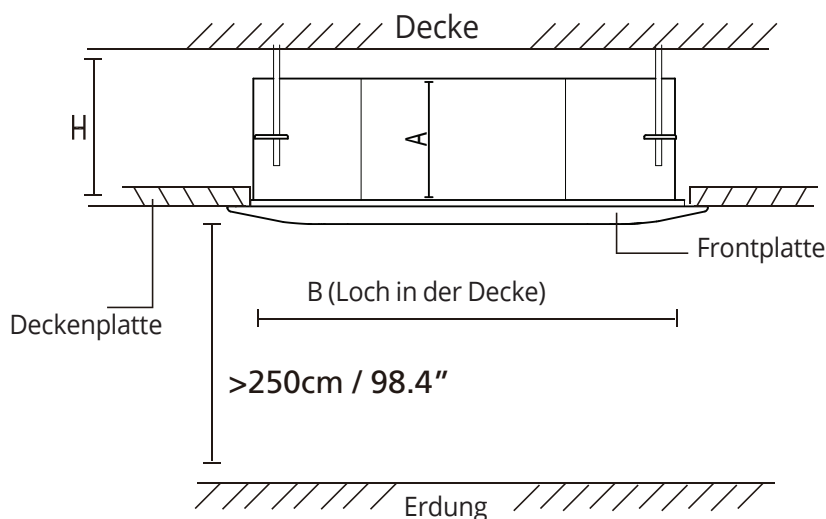
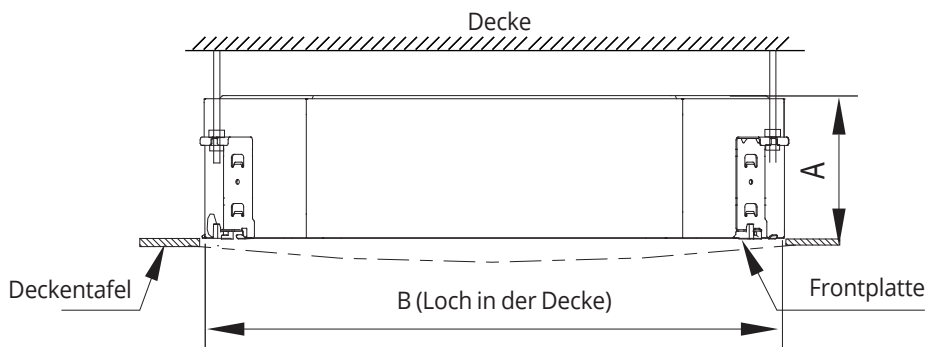
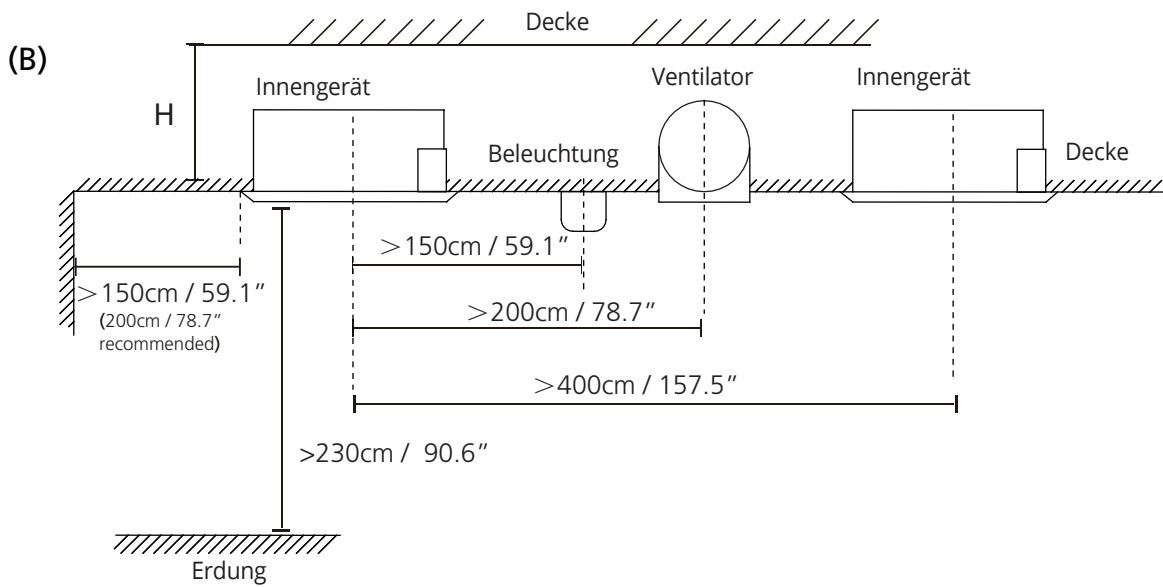


Abb. 3.2

Abstand von der Decke im Verhältnis zur Höhe des Innengeräts

TYPE	MODEL	Length of A (mm/inch)	Length of H (mm/inch)	Length of B (mm/inch)
Super Slim Models	24	245/9.6	> 275/10.8	880/34.5
	30	205/8	> 235/9.3	
	30-48	245/9.6	> 275/10.8	
	48-60	287/11.3	> 317/12.5	
Compact models		260/10.2	> 290/11.4	600/23.6



Abstand von der Decke im Verhältnis zur Höhe des Innengeräts

MODELL	Länge von A (mm/Zoll)	Länge von H (mm/Zoll)	Länge von B (mm/Zoll)
18-24	205/8.03	230/9.06	900/35.4
30-42	245/9.65	271/10.7	
42-60	287/11.3	313/12.3	

2. Schritt: Aufhängung des Innengeräts

1. Verwenden Sie das Schaumstoff-Dichtungsmittel, um ein viereckiges Loch in die Decke zu schneiden, wobei auf jeder Seite mindestens 1 m (39 ") verbleiben muss. Das Loch muss 60x60cm (23.6x23.6") oder 90x90cm (35.4x35.4") . (Siehe Abb. 3.3). Markieren Sie die Bereiche, in denen die Deckenankerlöcher gebohrt werden.

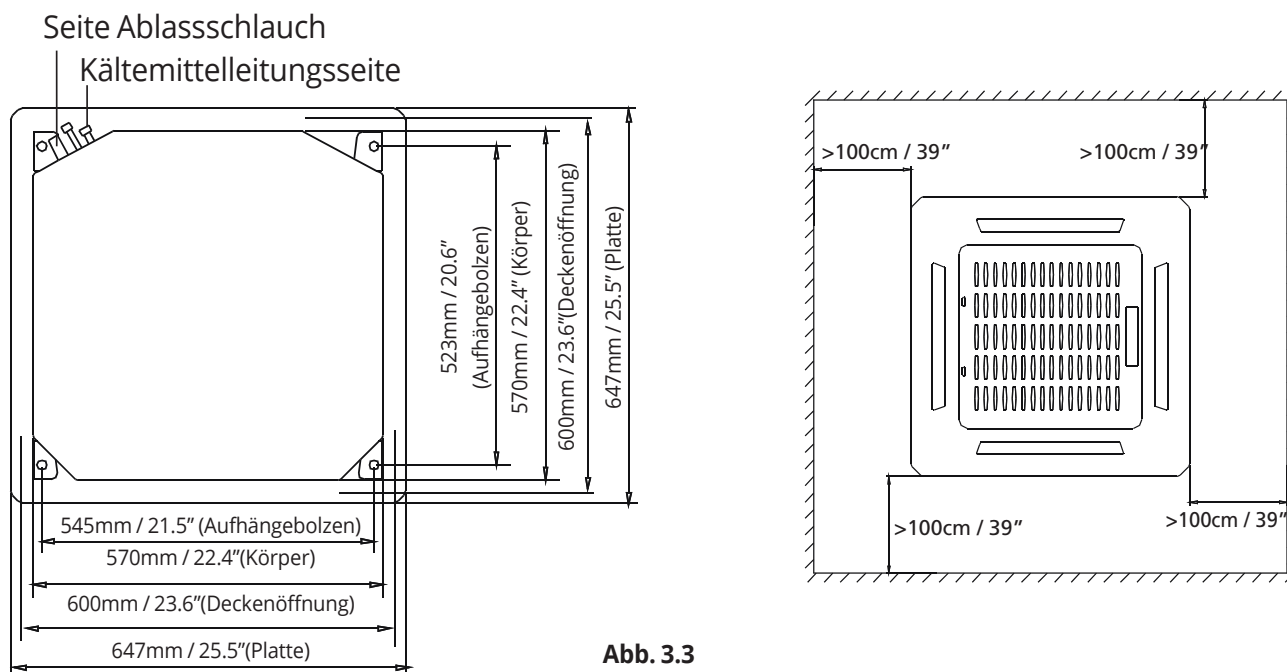
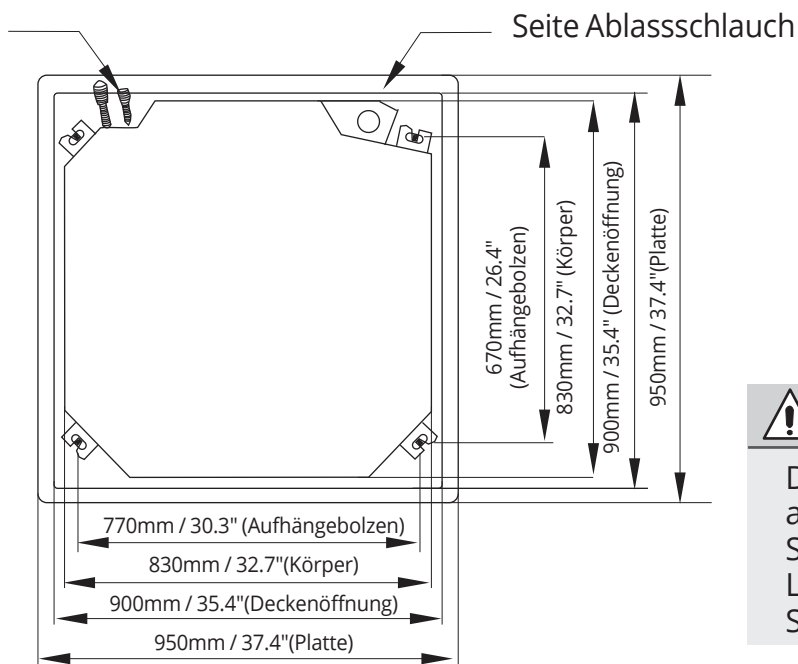


Abb. 3.3

Modelle: V7CRI-12WiFiR, V7CRI-18WiFiR

(B) Kältemittelleitungsseite



! VORSICHT

Das Gestell der Einheit sollte perfekt auf das Loch ausgerichtet sein. Stellen Sie sicher, dass das Gerät und Loch die gleiche Größe haben, bevor Sie fortfahren.

Modelle: V7CI-24WiFiR, V7CI-36WiFiR, V7CI-42WiFiR, V7CI-50WiFiR, V7CI-60WiFiR

2. Öffnen Sie 4 Löcher in einer Tiefe von 5cm (2") oder 12cm-15.5cm (4.7"-6.1") an den Positionen der Deckenhaken an der Innenfläche der Decke. Halten Sie den Bohrer in einem Winkel von 90 ° zur Decke.
3. Führen Sie die Haken mit dem Hammer in die vorbereiteten Löcher ein. Ziehen Sie die Schraube mit den mitgelieferten Unterlegscheiben und Mutterschrauben fest.
4. Montieren Sie die vier Aufhängebolzen (siehe Abb. 3.4).

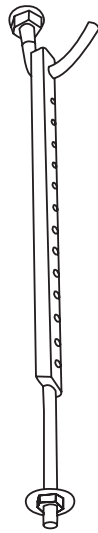


Abb. 3.4

5. Montieren Sie das Innengerät. Sie benötigen zwei Personen, um es anzuheben und zu befestigen. Führen Sie die Aufhängebolzen in die Befestigungslöcher des Geräts ein. Ziehen Sie sie mit den mitgelieferten Unterlegscheiben und Mutterschrauben fest. (Siehe Abb. 3.5).

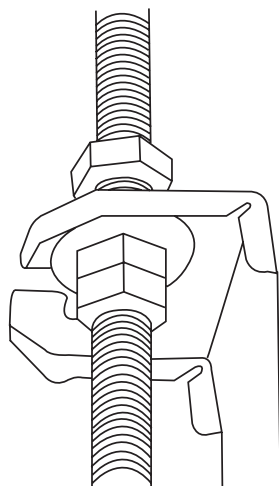


Abb. 3.5

HINWEIS: Die Unterseite des Geräts sollte 10 - 25 mm (0,4-0,98") für 24k-60k-Modelle oder 24 mm (0,9") für 12k-18k-Modelle höher sein als die Zwischendeckenplatte. Allgemein, sollte das L (abgebildet in Bild. 3.6) die Hälfte der Aufhängeschraube sein oder so lang sein, dass die Schraubenmutter nicht herunterfallen können.

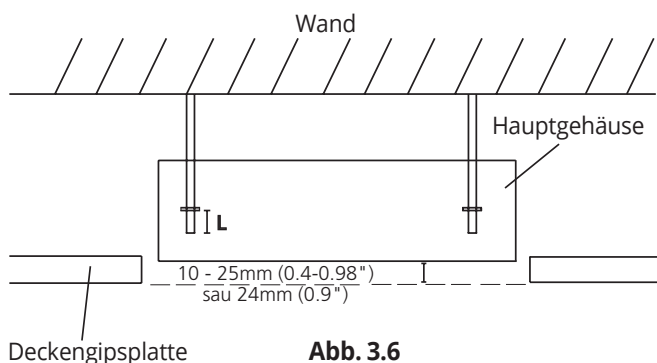


Abb. 3.6

! VORSICHT

Stellen Sie sicher, dass das Gerät vollständig horizontal ist. Eine falsche Installation kann dazu führen, dass das Abflussrohr wieder in das Gerät gelangt oder Wasser austritt.

HINWEIS: Stellen Sie sicher, dass sich das Innengerät in horizontaler Position befindet. Das Gerät ist mit einer eingebauten Kondensatpumpe und einem Schwimmerschalter ausgestattet. Wenn sich das Gerät von der Kondensatflussrichtung verkehrt herum schließt (die Seite des Ablaufrohrs ist höher), kann es zu Fehlfunktionen des Schwimmerschalters und zu Wasserleckagen kommen.

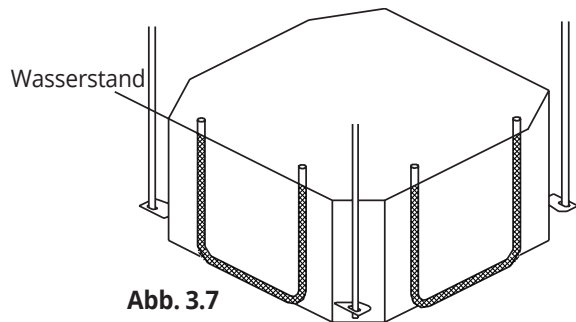


Abb. 3.7

HINWEIS FÜR DIE INSTALLATION IN EINEM NEUEN HAUS

Bei der Installation des Geräts in einem neuen Zuhause können die Deckenhaken vorab integriert werden. Stellen Sie sicher, dass sich die Haken nicht durch das Schrumpfen des Betons lösen. Befestigen Sie nach der Installation des Innengeräts, das Dichtungsschaummaterial in der Form der Einrichtung am Gerät mit Schrauben (M6X12), um im Voraus die Abmessung und Position der Öffnung an der Decke zu bestimmen. Folgen Sie den Anweisungen oben für den Rest der Installation.

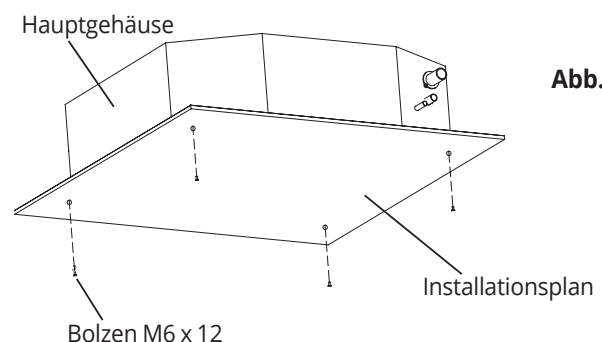


Abb. 3.8

Installationsanleitung für das Außengerät

1. Schritt: Wählen Sie den Installationsort aus.

Die Außeneinheit muss an einem Ort installiert werden, der folgenden Bedingungen entspricht:

- ✓ Installieren Sie die Außeneinheit so nah wie möglich an die Inneneinheit.
- ✓ Sorgen Sie für ausreichenden Platz für Installations- und Wartungsarbeiten.
- ✓ Lufteinlass und Luftauslass dürfen nicht gesperrt werden oder starkem Wind ausgesetzt sein.
- ✓ Stellen Sie sicher dass der Ort an dem das Gerät installiert wird nicht durch Schneetreiben, Blattanhäufungen oder anderem Geschiebe beeinflusst wird. Wenn möglich, stellen Sie eine Markise über dem Gerät auf. Sorgen Sie dafür dass die Markise nicht den Luftstrom behindert.
- ✓ Der Installationsort muss trocken und ausreichend belüftet sein.
- ✓ Es muss genügend Platz für die Montage der Verbindungsrohre und der Kabel, sowie für den Zugang für Wartungsarbeiten vorhanden sein.

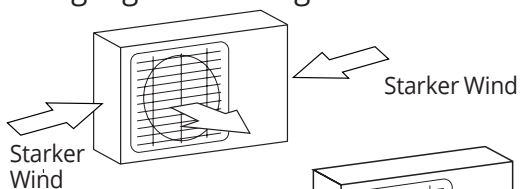


Abb. 4.1

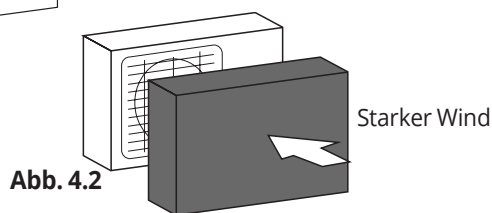


Abb. 4.2

2. Schritt: Aufstellung der Außeneinheit

Befestigen Sie die Außeneinheit mit Hilfe von Ankerschrauben (M10)

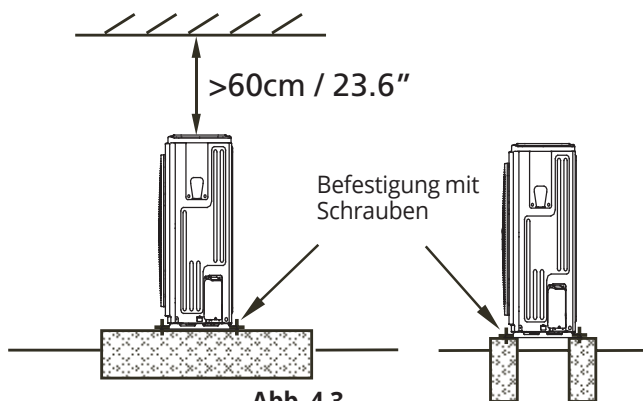


Abb. 4.3

- ✓ Das Gebiet darf nicht durch entzündliche Gase und Chemikalien belastet sein.
- ✓ Die Länge des Rohrs zwischen Innen- und Außeneinheit darf nicht die maximal erlaubte Rohrlänge überschreiten.
- ✓ Wenn möglich, installieren Sie das Gerät NICHT an einer Stelle die intensivem Sonnenlicht ausgesetzt ist.
- ✓ Falls möglich, sorgen Sie dafür dass sich das Gerät möglichst weit von den Wohnungen der Nachbarn befindet damit diese nicht vom Lärm des Geräts gestört werden.
- ✓ Wenn der Aufstellplatz starkem Wind ausgesetzt ist, z.B. in Küstennähe, muss das Gerät sehr nah an der Wandfläche installiert werden um es vor dem Wind zu schützen. Wenn erforderlich benutzen Sie eine Markise. (Siehe Abb. 5.1 und 5.2)
- ✓ Installieren Sie die Innen- und Außeneinheit, die Kabel und die Leitungen in einem Abstand von mindestens 1 Meter zu Fernseh- oder Radiogeräten, damit kein Rauschen und Bildverzerrungen entstehen. Abhängig von der Radiowellenfrequenz kann der 1 Meter Abstand möglicherweise nicht ausreichend sein um Interferenz zu vermeiden.

! VORSICHT

- Entfernen Sie mögliche Hindernisse, die den Luftumlauf beeinträchtigen können.
- Informieren Sie sich über die Längenvorschriften damit sie feststellen können ob genügend Platz für die Installation und Wartung vorhanden ist.

SPEZIELLE ÜBERLEGUNGEN FÜR EXTREME WETTER

Wenn das Gerät starkem Wind ausgesetzt ist: Installieren Sie das Gerät so, dass der Luftauslasslüfter in einem 90° Winkel zur Windrichtung steht. Falls erforderlich, bauen Sie eine Barriere vor dem Gerät, um es vor extrem starkem Wind zu schützen. Siehe Abbildungen unten.

Wenn das Gerät häufig starkem Regen oder Schnee ausgesetzt ist Regen oder Schnee ausgesetzt ist:

Bauen Sie einen Unterstand über dem Gerät, um es vor Regen oder Schnee zu schützen. Achten Sie darauf, dass den Luftstrom um das Gerät herum nicht zu behindern.

Wenn das Gerät häufig salzhaltiger Luft ausgesetzt ist (Meeresküste):

Verwenden Sie ein Außengerät, das speziell für die korrosionsbeständig ist.

Typen und Spezifikationen der Außeneinheiten

Split-Außeneinheit

(Siehe Abb. 4.4, 4.5, 4.6, 4.10 und Tabelle 4.1)

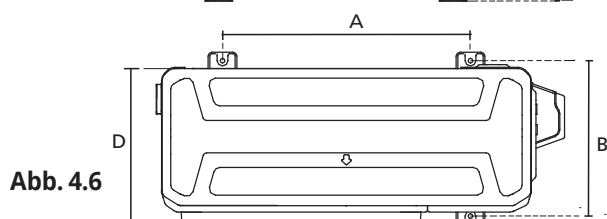
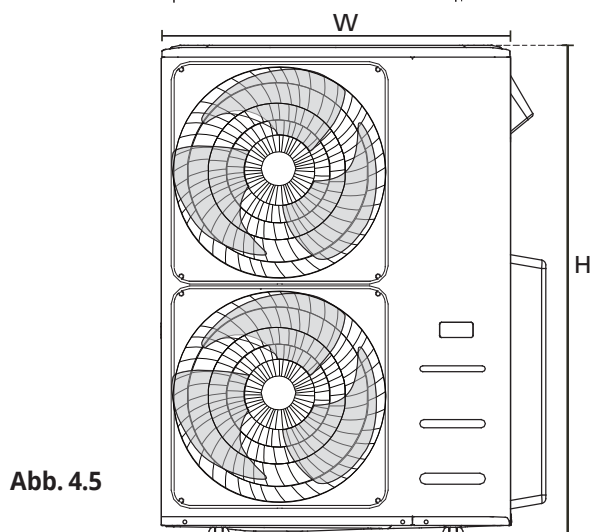
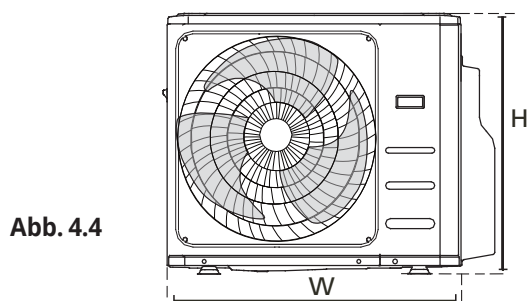


Tabelle 4.1: Längenvorschriften für die Split-Außeneinheit (Einheit: mm/Zoll)

Abmessungen Außeneinheit L x H x T	Montageabmessungen	
	Abstand A	Abstand B
760x590x285 (29.9x23.2x11.2)	530 (20.85)	290 (11.4)
810x558x310 (31.9x22x12.2)	549 (21.6)	325 (12.8)
845x700x320 (33.27x27.5x12.6)	560 (22)	335 (13.2)
900x860x315 (35.4x33.85x12.4)	590 (23.2)	333 (13.1)
945x810x395 (37.2x31.9x15.55)	640 (25.2)	405 (15.95)
990x965x345 (38.98x38x13.58)	624 (24.58)	366 (14.4)
938x1369x392 (36.93x53.9x15.43)	634 (24.96)	404 (15.9)
900x1170x350 (35.4x46x13.8)	590 (23.2)	378 (14.88)
800x554x333 (31.5x21.8x13.1)	514 (20.24)	340 (13.39)
845x702x363 (33.27x27.6x14.3)	540 (21.26)	350 (13.8)
946x810x420 (37.24x31.9x16.53)	673 (26.5)	403 (15.87)
946x810x410 (37.24x31.9x16.14)	673 (26.5)	403 (15.87)
952x1333x410 (37.5x52.5x16.14)	634 (24.96)	404 (15.9)
952x1333x415 (37.5x52.5x16.34)	634 (24.96)	404 (15.9)
890x673x342 (35x26.5x13.46)	663 (26.1)	354 (13.94)
765x555x303 (30.1x 21.8x 11.9)	452 (17.8)	286(11.3)
805x554x330 (31.7x 21.8x 12.9)	511 (20.1)	317 (12.5)

HINWEIS: Der minimale Abstand zwischen Außeneinheit und Wänden, wie in der Installationsanleitung beschrieben, gilt nicht für luftdicht verschlossene Zimmer. Sorgen Sie dafür dass das Gerät in mindestens zwei der drei Richtungen frei von Hindernissen bleibt. (M, N, P) (Siehe Abb. 4.10)

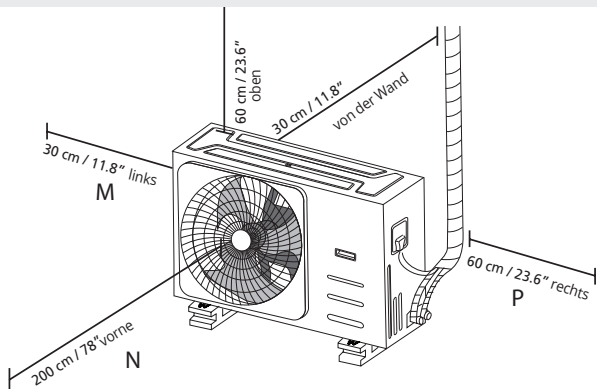


Abb. 4.10

Reihen in Reiheninstallation

Tabelle 4.3: Die Relation zwischen H, A und L ist folgende

	L	A
$L \leq H$	$L \leq 1/2H$	25 cm / 9.8'' oder mehr
	$1/2H < L \leq H$	30 cm / 11.8'' oder mehr
$L > H$	Kann nicht installiert werden	

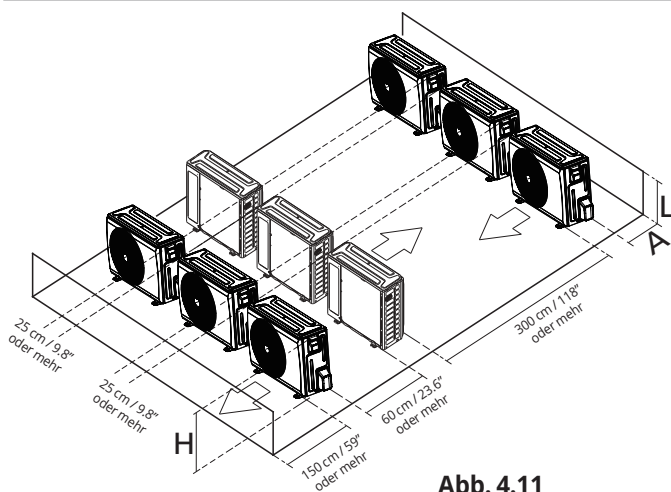


Abb. 4.11

Installation der Ablaufleitung

Wenn das Ablaufrohr über einen Gummiflansch verfügt (siehe Abb. 4.12-A), gehen Sie wie folgt vor:
1. Platzieren Sie den Gummiflansch am Ende des Ablaufrohrs das an die Außeneinheit angeschlossen ist.

2. Führen Sie die Ablaufleitung in die Öffnung im Kondensatsammelbehälter der Einheit ein.
3. Drehen Sie die Ablaufleitung um 90°, bis sie einrastet und zur Vorderseite des Geräts zeigt.
4. Verbinden Sie ein Ablauf-Verlängerungsrohr (nicht im Lieferumfang enthalten) um das Wasser vom Gerät wegzuleiten, wenn es sich im Heizmodus befindet.

Wenn das Ablaufverbindungsstück nicht über einen Gummieinsatz verfügt (siehe Abb. 4.12 - B), verhalten Sie sich wie folgt:

1. Führen Sie die Ablaufleitung in die Öffnung im Kondensatsammelbehälter der Einheit ein. Das Abfluss-Verbindungsstück rastet in seine Stelle ein.
2. Verbinden Sie ein Ablauf-Verlängerungsrohr (nicht im Lieferumfang enthalten) mit dem Ablauf-Verbindungsstück um das Wasser vom Gerät zu entfernen, wenn dieses im Heizbetrieb betrieben wird.

HINWEIS: Sorgen Sie dafür dass der Ablauf an einer sicheren Stelle stattfindet, wo keine Schäden durch das Wasser entstehen können und keine Rutschgefahr besteht.

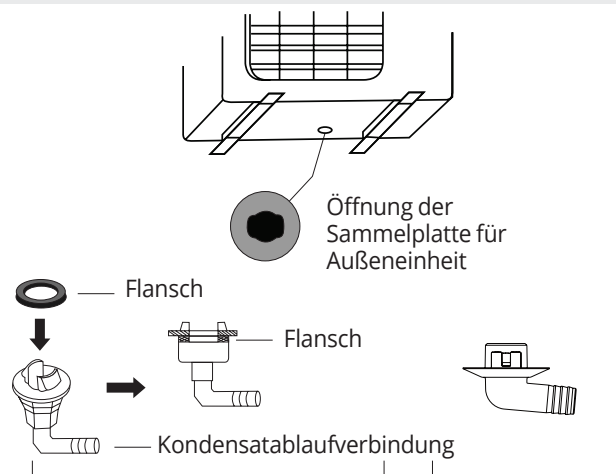


Abb. 4.12

Hinweise zur Lochbohrung in der Wand

Es ist eine Bohrung des Mauerwerks für die Verrohrung des Kühlmittels und des Signalkabels, mit dem die Inneneinheit mit der Außeneinheit verbunden wird, erforderlich.

1. Stellen Sie die Stelle der Bohrung in Beziehung zum Aufstellort der Außeneinheit fest.
2. Öffnen Sie mit Hilfe einer Lochsäge eine 65-mm (2.5") große Bohrung in der Wand.

HINWEIS: Bei der Bohrung des Mauerwerks müssen Sie aufpassen damit Sie keine Kabel, Wasserrohre oder andere empfindliche Anlagen verletzen.

3. Setzen Sie den Schutzmantel in die Bohrung. Somit, werden die Enden der Bohrung geschützt und der Verschluss am Ende der Installationsarbeiten erleichtert.

Installation der Ablaufleitung

5

Die Abflussleitung dient zum Ablauf von Wasser aus dem Gerät. Eine unsachgemäße Installation kann zu Schäden am Gerät und zu Materialschäden führen.

! VORSICHT

- Isolieren Sie alle Rohre, um Kondensation zu vermeiden was zu Schäden durch Feuchtigkeit führen könnte.
- Wenn das Abflussrohr verbogen oder falsch ausgerichtet ist, kann Wasser austreten und der Wasserstandschalter funktioniert möglicherweise nicht richtig.
- Im HEIZ-Modus wird Wasser aus dem Außengerät abgelassen. Stellen Sie sicher, dass das Abflussrohr an einem geeigneten Ort installiert ist, damit kein Schaden durch Wasser oder Verrutschen verursacht wird, wenn das Ablaufwasser gefroren ist.
- **Ziehen** Sie nicht kräftig am Ablaufrohr. Dadurch könnte das Rohr getrennt werden

HINWEIS ZUM KAUF DER ROHRE

In dieser Installation ist ein Polyethylenschlauch (Außendurchmesser = 2.5 cm) erforderlich. Erhältlich in Ihren Sanitärfachgeschäften oder Ihrem Händler.

Interne Installation der Abflussleitung

Installieren Sie das Abflussrohr wie in Abbildung 5.2 gezeigt.

1. Decken Sie das Abflussrohr mit einer Wärmeisolierung ab, um Kondensation und Leckagen zu vermeiden.
2. Schließen Sie die Ablaufschlauchdüse an das Auslassrohr des Geräts an. Drehen Sie die Rohrdüse und befestigen Sie sie mit einem Nagel. (Abb. 5.1)

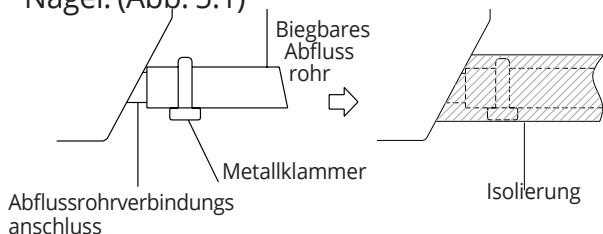


Abb. 5.1

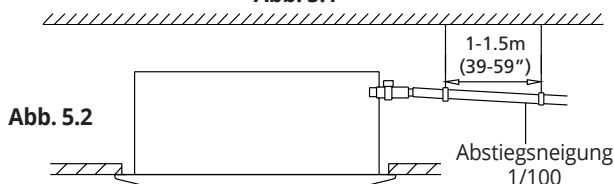


Abb. 5.2

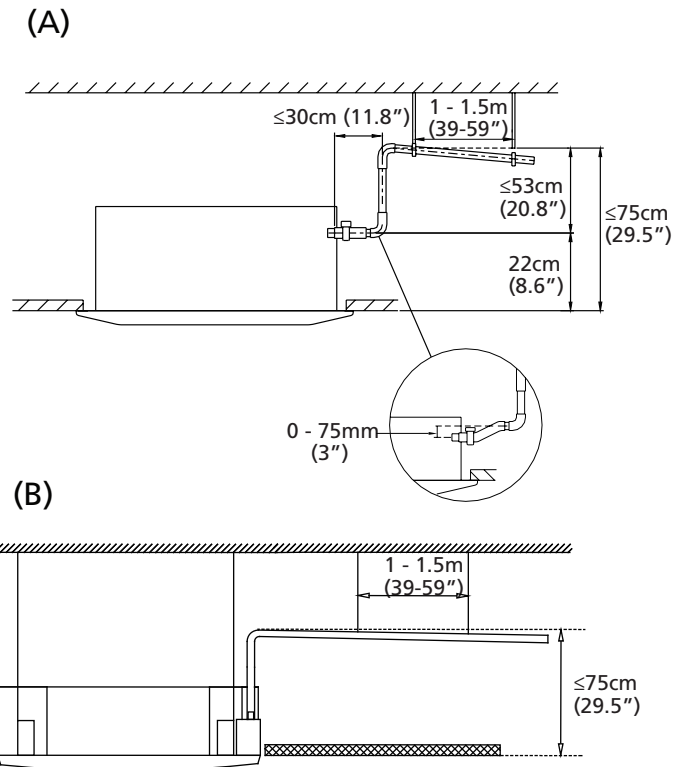


Abb. 5.3

HINWEIS FÜR DIE INSTALLATION DES ABFLUSSROHRS

- Ziehen Sie, bei Verwendung eines umfangreichen Abflussrohrs den inneren Anschluss mit einem zusätzlichen Schutzrohr fest. Dies verhindert, dass es gelöst wird.
- Die Ablaufleitung muss um mindestens 1/100 Winkel nach unten geneigt sein, um zu verhindern, dass das Wasser wieder in die Klimaanlage gelangt.
- Um einen Abrieb des Rohrs zu verhindern, müssen die Drahtseile in einem Abstand 1-1,5m (40-59") angeordnet werden.
- Wenn der Auslass des Abflussrohrs höher ist als der Pumpenanschluss im Gestell, verwenden Sie ein Hebeschlauch für den Auslass der Inneneinheit. Der Hebeschlauch darf nicht höher als 75 cm (29.5") von der Deckenplatte entfernt sein und der Abstand zwischen dem Gerät und dem Hebeschlauch sollte weniger als 30 cm (11,8 ") betragen. Eine unsachgemäße Installation kann zu einem umgekehrten Wasserfluss in die Anlage und deren Überflutung führen.
- Halten Sie das Abflussrohr flach oder leicht nach oben, um Luftblasen zu vermeiden (<75mm / 3").

HINWEIS: Wenn Sie mehrere Abflussrohre anschließen, installieren Sie die Rohre wie in Abb. 5.4. gezeigt

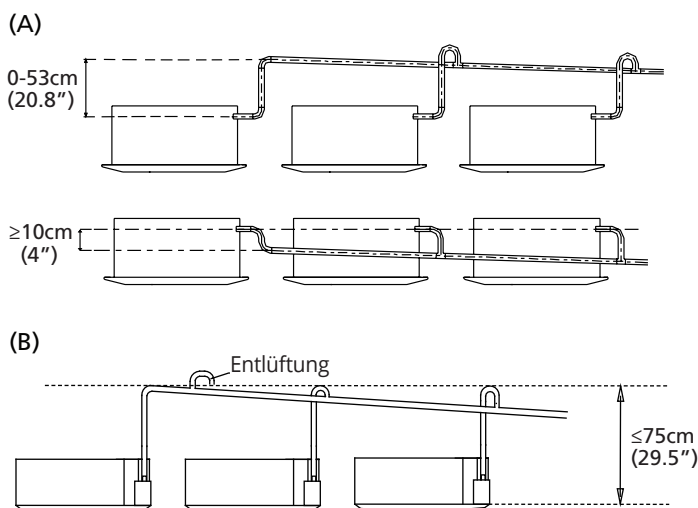


Fig. 5.4

3. Öffnen Sie mit einem 65mm (2.56") oder 90mm(3.54"),-Bohrer ein Loch an der Wand. Stellen Sie sicher, dass Sie einen kleinen Winkel nach unten bohren, sodass die Außenkante der Bohrung um etwa 12 mm (0,5 ") unter der Innenkante liegt. Dies gewährleistet einen ordnungsgemäßen Ablauf des Wassers (Siehe Abb. 6.4). Bringen Sie den Lochschutz an der Wand an. Dies schützt die Ränder des Lochs und hilft bei der Abdichtung, sobald Sie die Installation abgeschlossen haben.

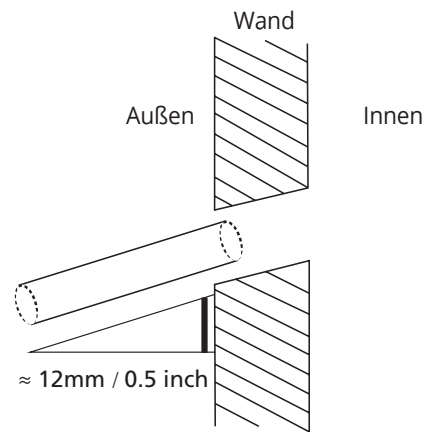


Abb. 5.5

HINWEIS: Achten Sie beim Bohren des Lochs darauf, dass Sie keine Kabel, Wasserleitungen und andere empfindliche Einrichtungen durchstechen.

4. Führen Sie den biegbaren Ablaufrohr durch das Wandloch. Sorgen Sie dafür dass der Ablauf an einer sicheren Stelle stattfindet, wo keine Schäden durch das Wasser entstehen können und keine Rutschgefahr besteht.

HINWEIS: Der Ablaufauslass muss sich mindestens 5 cm (1.9 ") über dem Boden befinden. Wenn es den Boden berührt, ist das Gerät möglicherweise blockiert und funktioniert nicht richtig. Wenn Sie Wasser direkt in einem Ablaufrohr leiten, stellen Sie sicher, dass der Ablauf ein U- oder S-Rohr hat, um Gerüche zu beseitigen, die ansonsten im Hause gelangen würden

Anschluss von Kältemittelleitungen

6

Sicherheitshinweise

! WARNUNG

- Alle Verrohrungen am Installationsort müssen durch eine Fachperson durchgeführt werden und den örtlichen und nationalen Vorschriften entsprechen.
- Wenn das Klimagerät in einem kleinen Zimmer installiert wird, müssen geeignete Maßnahmen getroffen werden damit im Fall einer Leckage die Kühlmittelansammlung innerhalb des Zimmers nicht die Sicherheitsgrenzwerte überschreitet. Wenn der Kühlmittelausfluss und die Ansammlung den vorgegebenen Grenzwert überschreitet, können Gefahren auf Grund von Sauerstoffmangel entstehen.
- Während der Installation des Kühlsystems ist darauf zu achten dass keine Luft, Staub, Feuchtigkeit oder Fremdkörper in die Leitungen des Kühlmittels eindringen. Die Verschmutzung des Systems kann die Kühlleistung vermindern oder zu hohem Druck im Kühlzyklus, Explosion oder Verletzung führen.
- Lüften Sie sofort den Raum wenn ein Kühlmittelausfluss während der Installation passiert. Das ausströmende Kühlgas ist sowohl giftig als auch entzündlich. Sorgen Sie dafür dass nach Abschluss der Installationsarbeiten kein Kühlmittelausfluss vorhanden ist.

Hinweise zu Länge und Höhe der Rohre

Stellen Sie sicher, dass die Länge des Kühlmittelrohrs, die Anzahl der Kurven und der Höhenunterschied zwischen den Innen- und Außengeräten den Anforderungen von Tabelle 6.1 entsprechen:

Tabelle 6.1: Maximale Längen und Höhen basierend auf Modellen. (Einheit: m/ft.)

Modell	Leistung (Btu/h)	Länge des Rohres	Höhendifferenz max.
Nordamerika, Australien und die EU Frequenzänderung, Split-Typ	<15K	25/82	10/32.8
	≥15K - <24K	30/98.4	20/65.6
	≥24K - <36K	50/164	25/82
	≥36K - ≤60K	75/246	30/98.4
Anderer Split-typ	12K	15/49	8/26
	18K-24K	25/82	15/49
	30K-36K	30/98.4	20/65.6
	42K-60K	50/164	30/98.4

! VORSICHT

- **Ölfallen**
Wenn das Innengerät höher als das Außengerät installiert ist:
- Wenn das Öl zu der externen Kompressoreinheit zurückfließt, kann es bei der Ölrückführung zu einer Kompression der Flüssigkeit oder Beschädigung kommen. Ölfallen in erhöhten Gasleitungen können dies verhindern. Alle 6m (20ft) oder 10m (32.8ft) des vertikalen Saugrohrs muss eine Ölfalle installiert werden. (siehe Abb. 6.1)

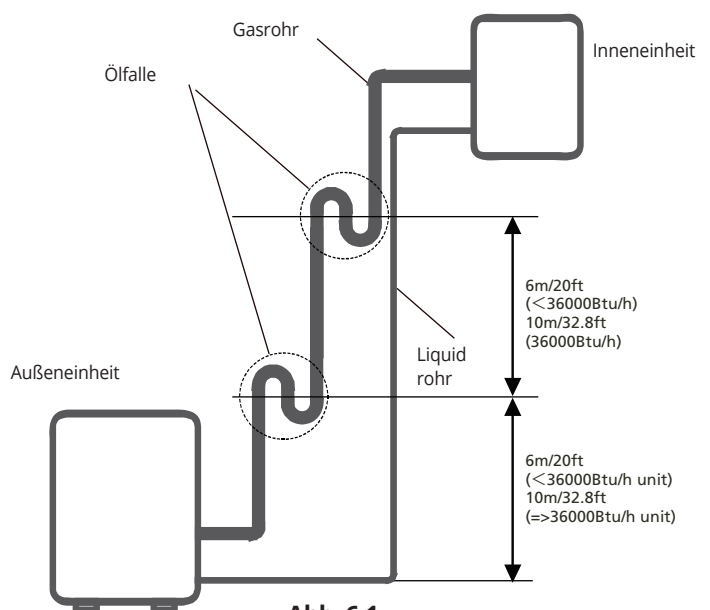


Abb. 6.1

Wenn das Innengerät höher als das Außengerät installiert ist

! VORSICHT

Wenn das Außengerät höher als das Innengerät installiert ist:

- Es wird empfohlen, die vertikale Saugwirkung nicht zu übermäßig zu heben. Die ordnungsgemäße Rückführung des Öls zum Kompressor sollte durch die vom Gas angesaugte Geschwindigkeit erfolgen. Wenn die Geschwindigkeit unter 7,62 m / s (1500 fpm) fällt, nimmt der Ölrücklauf ab. Alle 6m(20ft) oder 10m(32.8ft) des vertikalen Saugrohrs muss eine Ölfalle installiert werden. (Siehe Abb.6.2)

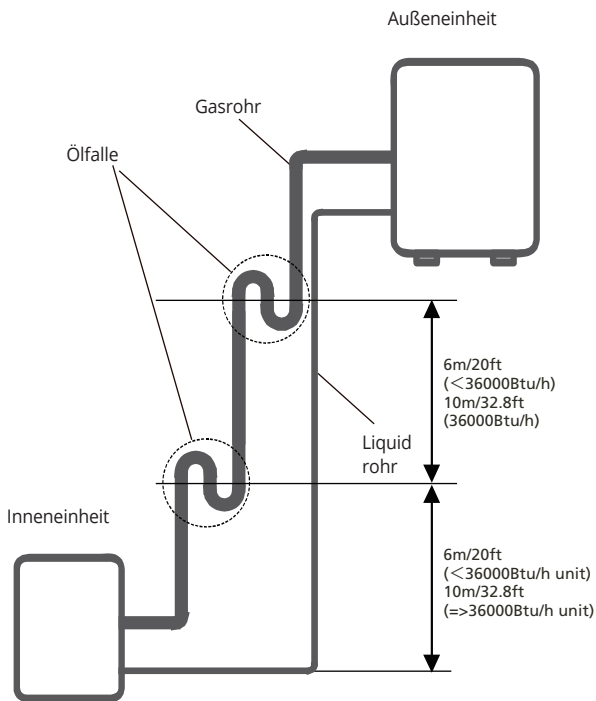


Abb. 6.2

Wenn das Außengerät höher als das Innengerät installiert ist

Anweisungen zum Anschließen von Kühlmittleitungen

! VORSICHT

- Das Abzweigrohr muss waagrecht aufgesetzt werden. Ein Winkel von über 10° kann eine Funktionsstörung hervorrufen.
- **Verbindungsrohr** NICHT aufsetzen bevor sowohl die Innen- als auch die Außeneinheit installiert worden sind.
- Isolieren Sie die Gas- und Flüssigkeitsleitungen um eine Wasser-Leckage zu meiden.

1. Schritt: Schneiden der Rohre

Bei der Vorbereitung der Kühlmittelrohre müssen Sie besonders auf das richtige Schneiden und Aufweitung derer achten. So wird ein effizienter Betrieb und minimaler zukünftiger Wartungsbedarf gewährleistet. Für Kühlmittel R32 / R290 müssen die Rohrverbindungspunkte außerhalb des Raums liegen. Verbindungsrohre können nicht wiederverwendet werden.

1. Messen Sie den Abstand zwischen Innen- und Außeneinheiten.
2. Schneiden Sie mit einem Rohrschneider das Rohr etwas mehr als der Abstand den Sie gemessen haben.

! VORSICHT

Während des Schneidens das Rohr NICHT verziehen. Während des Schneidens müssen Sie sehr vorsichtig sein damit Sie Schäden, Kratzer und Krümmungen vermeiden. Dies kann die Leistung des Geräts beeinträchtigen

3. Achten Sie darauf dass Sie das Rohr mit einem exakten Winkel von 90° schneiden. Siehe dazu Abb. 7.5 mit Beispielen mangelhafter Schnitte

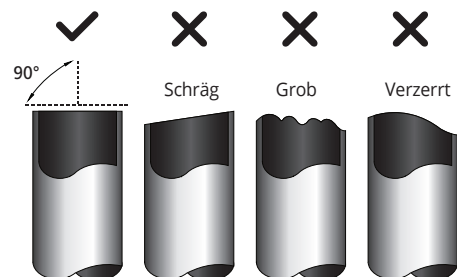


Abb. 6.3

2. Schritt: Grat entfernen.

Grat kann den dichten Anschluss zwischen Kühlmittelrohrteilen behindern. Grat muss vollkommen entfernt werden.

1. Halten Sie das Rohr mit einer Neigung nach unten, so dass kein Grat in das Rohr fallen kann.
2. Entfernen Sie mit einem Entgrater oder Hobelwerkzeug den Grat vom geschnittenen Rohrteil.

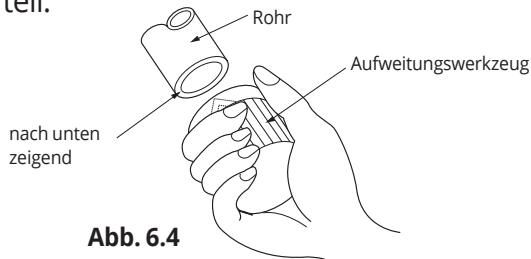


Abb. 6.4

3. Schritt: Aufweitung der Rohrenden

Die geeignete Aufweitung ist sehr wichtig um einen luftdichten Verschluss zu erzielen.

1. Nachdem Sie Grat vom geschnittenen Rohr entfernt haben, verschließen Sie die Enden mit PVC-Band damit keine Fremdkörper in das Rohr gelangen können.
2. Decken Sie das Rohr mit Isoliermittel ab.
3. Setzen Sie Konusmuttern auf beide Rohrenden. Achten Sie darauf dass sie in die richtige Richtung ausgerichtet sind, da sie nach der Aufweitung nicht geändert werden können. Siehe Abb. 6.5

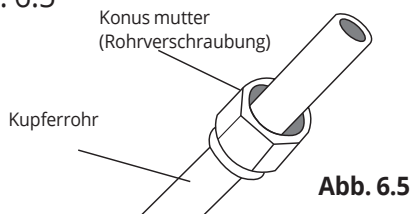


Abb. 6.5

4. Entfernen Sie das PVC-Band von den Rohrenden wenn Sie bereit sind die Aufweitungsarbeit durchzuführen.
5. Befestigen Sie den Aufweitungszapfen am Rohrende. Das Rohrende muss sich über den Aufweitungszapfen hinaus erstrecken.

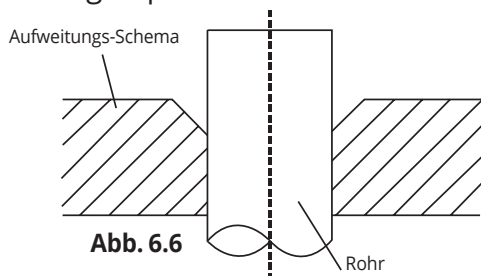


Abb. 6.6

6. Setzen Sie das Aufweitungs Werkzeug auf den Aufweitungszapfen.
7. Drehen Sie den Handgriff des Aufweitungs Werkzeugs im Uhrzeigersinn

bis die Aufweitung des Rohrs vollendet ist. Aufweitung, gemäß den Abmessungen von Tabelle 6.3 durchführen.

Tabelle 6.3: VERLÄNGERUNGSRÖHR ÜBER DEN AUFWEITUNGSZAPFEN HINAUS

Rohrdurchmesser	Anzugsmoment	Aufweitungsabmessungen (A) (Einheit: mm/Zoll)		Konische Verbindungsform
		Min.	Max.	
Ø 6.35	18-20 N.m (183-204 kgf.cm)	8.4/0.33	8.7/0.34	<p>Das Diagramm zeigt die konische Verbindungsform mit den Werten 90 ± 4, 45 ± 2, A und $R0.4-0.8$.</p>
Ø 9.52	25-26 N.m (255-265 kgf.cm)	13.2/0.52	13.5/0.53	
Ø 12.7	35-36 N.m (357-367 kgf.cm)	16.2/0.64	16.5/0.65	
Ø 16	45-47 N.m (459-480 kgf.cm)	19.2/0.76	19.7/0.78	
Ø 19	65-67 N.m (663-683 kgf.cm)	23.2/0.91	23.7/0.93	
Ø 22	75-85 N.m (765-867 kgf.cm)	26.4/1.04	26.9/1.06	

Abb. 6.7

8. Entfernen Sie das Aufweitungs Werkzeug und den Aufweitungs Zapfen und überprüfen Sie dann das Rohrende ob Risse vorhanden sind und eine einheitliche Aufweitung gegeben ist.

4. Schritt: Verbindung der Rohre

Verbinden Sie zuerst die Kupferrohre mit dem Innengerät und dann mit dem Außengerät. Zuerst müssen Sie das Niederdruckrohr und danach das Hochdruckrohr anschließen.

1. Beim Anschluss der Rohrverschraubungen müssen Sie eine dünne Schicht Öl für Kühlmittelleitungen auf den konischen Rohrenden auftragen.
2. Richten Sie die Mitten der beiden anzuschließenden Rohre aus.

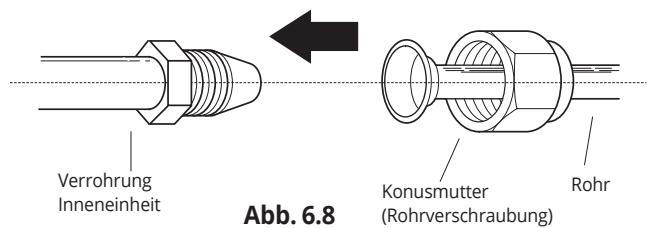


Abb. 6.8

3. Ziehen Sie die Rohrverschraubung so fest wie möglich von Hand an.
4. Halten Sie die Schraubenmutter mit einem Schraubenschlüssel auf der Verrohrung des Geräts fest.
5. Während Sie die Schraubenmutter festhalten, ziehen Sie die Rohrverschraubung mit einem Drehmomentschlüssel fest an, gemäß den Momentwerten der Tabelle 6.3.

HINWEIS: Benutzen Sie sowohl einen Schraubenschlüssel als auch einen Drehmomentschlüssel für den Anschluss bzw. Entkopplung von Rohren an das bzw. vom Gerät.

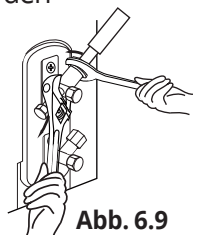


Abb. 6.9

VORSICHT

- Umwickeln Sie die Verrohrung mit Isoliermaterial. Ein direkter Kontakt mit blankem Rohr kann Verbrennungen bzw. Erfrierungen verursachen.
- Vergewissern Sie sich dass das Rohr ordnungsgemäß angeschlossen worden ist. Ein eventuell übermäßiges Anziehen kann zu einer Störung des aufgeweiteten Anschlusses, und ein zu lockeres Anziehen zu einer Leckage führen.

HINWEIS ZUM MINIMALEN BIEGERADIUS

Biegen Sie vorsichtig das Rohr in der Mitte, wie in folgendem Diagramm beschrieben. Die Verrohrungen **NICHT mehr als 90° oder mehr als 3 mal biegen.**

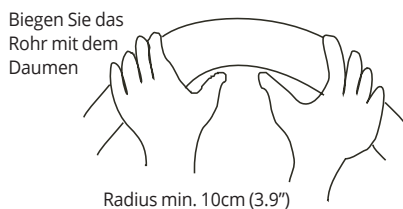


Abb. 6.10

6. Nach dem Anschluss der Kupferrohre an die Inneneinheit, müssen Sie Stromkabel, Signalkabel und Verrohrung gemeinsam mit einem Band umwickeln..

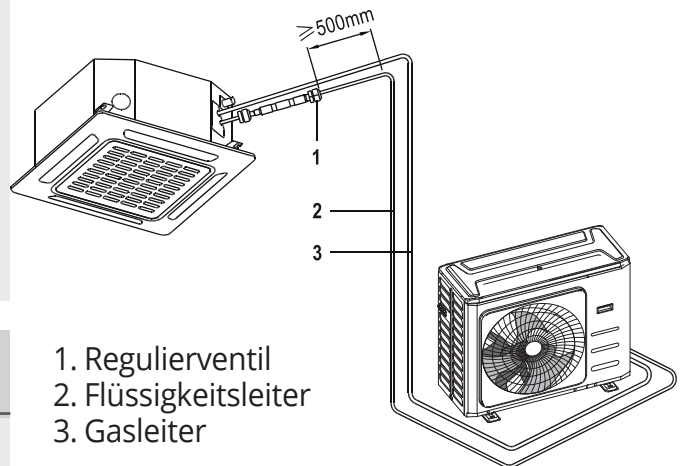
HINWEIS: Signalkabel NICHT mit anderen Kabeln umeinander-wickeln. Wenn Sie oben genannte Kabel als Bündel binden, dürfen Sie das Signalkabel nicht mit anderen Kabeln umeinander-wickeln oder überkreuzen.

7. Dieses Bündel durch die Wand führen und mit der Außeneinheit anschließen.
8. Alle Verrohrungen, einschließlich der Ventile der Außeneinheit, isolieren.
9. Öffnen Sie die Absperrventile der Außeneinheit damit der Fluss des Kühlmittels zwischen Innen- und Außeneinheit erfolgen kann.

VORSICHT

Stellen Sie sicher dass nach Abschluss der Installationsarbeiten kein Kühlmittelausfluss vorhanden ist. Wenn ein Kühlmittelausfluss vorhanden ist, müssen Sie sofort den Raum lüften und die Anlage entleeren (siehe Kapitel Entlüftung in diesem Handbuch).

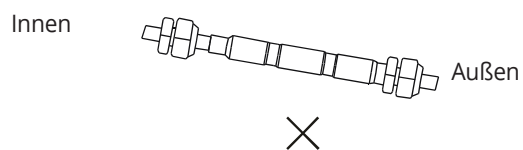
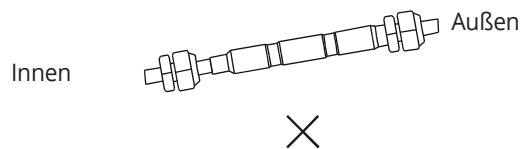
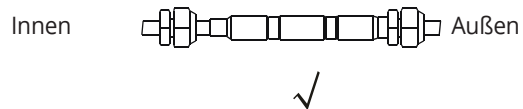
Installation des Regulierventils. (bei bestimmten Modellen)



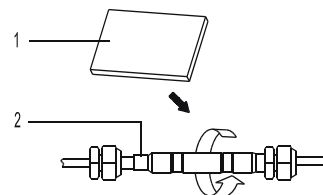
1. Regulierventil
2. Flüssigkeitsleiter
3. Gasleiter

Vorsichtsmaßnahmen

Stellen Sie das Regulierventil möglichst horizontal auf, um maximale Leistungen zu gewährleisten.



Mit Schallschutzfolie umwickeln, um Geräusche zu vermeiden



1. Schalldämmung
2. Regulierventil

Sicherheitshinweise

WARNUNG

- Darauf achten die Stromversorgung zu trennen bevor Sie Arbeiten am Gerät durchführen.
- Die gesamte Stromverkabelung muss gemäß den örtlichen und nationalen Vorschriften durchgeführt werden.
- Die Verdrahtung sollte von einem qualifizierten Elektriker ausgeführt werden. Ein eventuell fehlerhafter Anschluss kann eine Störung des elektrischen Stromkreises, Verletzungen und Brand verursachen.
- Für dieses Gerät muss ein unabhängiger Stromkreis mit gesonderter Steckdose benutzt werden.
KEIN anderes Gerät oder Ladegerät an die selbe Steckdose anschließen. Wenn die Leistung des Stromkreises nicht ausreichend ist oder eine unzulängliche Elektroarbeit vorliegt, kann ein Stromschlag, Brand oder Schaden am Gerät und anderen Objekten verursacht werden.
- Stromkabel an den Klemmen anschließen und mit Klemmstücken befestigen. Ein eventuell unsicherer Anschluss kann einen Brand auslösen.
- Vergewissern Sie sich dass die gesamte Verkabelung ordnungsgemäß durchgeführt wird und dass die Abdeckung der Steuerplatine korrekt eingesetzt worden ist. Anderenfalls kann eine Überhitzung an den Anschlussstellen, Brand und Stromschlag verursacht werden.
- Stellen Sie sicher dass der Hauptversorgungsanschluss über einen Schalter implementiert wird, der alle Pole mit einem Spalt zwischen den Kontakten von mindestens 3mm (0.118 Zoll) isoliert.
- **Ändern** Sie NICHT die Länge des Stromkabels und benutzen Sie kein Verlängerungskabel.

VORSICHT

- Schließen Sie erst die Kabel der Außeneinheit bevor Sie diejenigen der Inneneinheit anschließen.
- Sorgen Sie dafür dass das Gerät geerdet ist. Das Erdungskabel sollte sich von Gasleitungen, Wasserversorgungsleitungen, Blitzableiter, Telefonkabel oder anderen Erdungsleitern weg bewegen. Eine fehlerhafte Erdung kann zu einem Stromschlag führen.
- **Gerät** NICHT an Stromquelle anschließen bis die gesamten Verkabelungen und Verrohrungen abgeschlossen sind.
- Stellen Sie sicher, dass die Stromkabel die Signalkabel nicht kreuzen. Interferenzen können auftreten.

Folgen Sie dieser Anleitung um eine Verzerrung (Funkstörung) während des Anlaufs des Kompressors zu vermeiden.

- Das Gerät muss an die Hauptsteckdose angeschlossen werden. Normalerweise, muss die Stromversorgung einen niedrigen Eingangswiderstand von 32 Ω aufweisen.
- Es darf kein anderes Gerät an den selben Leistungskreis angeschlossen werden.
- Die Leistungsinformationen des Geräts entnehmen Sie dem Schild mit den Nenndaten des Produkts.

ACHTEN SIE AUF DIE SICHERHEITSHINWEISE

Die Platine der Klimaanlage ist so konzipiert, dass sie über eine Sicherung gegenüber Überstrom verfügt. Die Vorschriften der Sicherung sind auf der Platine gedruckt, z.B.:
Inneneinheit T3.15A/250VAC, T5A/250VAC. (gilt für Einheit mit Kühlmittel R32)
Außeneinheit: T20A/250VAC

HINWEIS: Die Sicherung ist aus Keramik.

Verkabelung der Außeneinheit

WARNUNG

Bevor eine Elektroarbeit oder Verkabelung durchgeführt wird, müssen Sie den Hauptschalter der Stromversorgung der Anlage abschalten.

1. Bereiten Sie das Kabel für den Anschluss vor
 - a. Zuerst müssen Sie eine geeignete Kabelgröße wählen bevor Sie mit der Vorbereitung des Anschlusses beginnen. Der zu verwendende Kabeltyp ist H07RN-F.

Tabelle 7.1: Andere Regionen

Nennstrom des Geräts (A)		Nennquerschnitt fläche (mm ²)
> 3	≤ 6	0.75
> 6	≤ 10	1
> 10	≤ 16	1.5
> 16	≤ 25	2.5
> 25	≤ 32	4
> 32	≤ 40	6

Super-Slim-Modelle

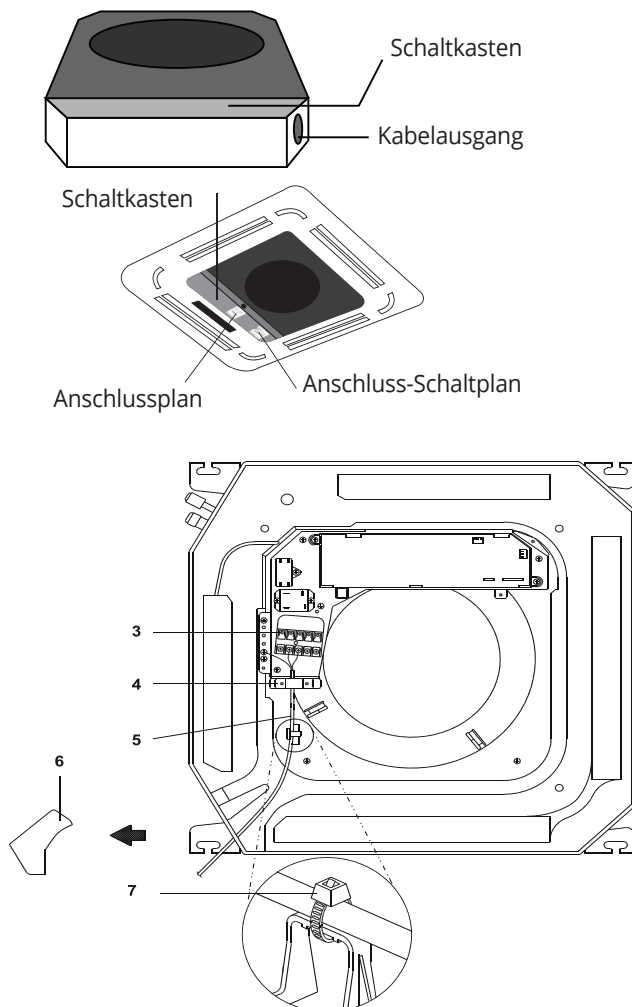


Abb. 7.2

- b. Entfernen Sie mit einem Kabelabstreifer die elastische Isolierung an beiden Enden des Signalkabels um ungefähr 15cm (5.9“) der enthaltenen Kabel zu enthüllen.
- c. Schneiden Sie die Isolierung von den Enden der Drähte ab.
- d. Mit Hilfe einer Kabelpresse, drücken Sie die Klemmen an die Enden der Kabel auf.

HINWEIS: Beim Anschluss der Kabel müssen Sie unbedingt dem Schaltplan folgen (er ist im Deckel des Elektrokastens vorhanden).

2. Nehmen Sie den Deckel vom Elektrokasten der Inneneinheit ab. Wenn kein Deckel an der Außeneinheit vorhanden ist, demontieren Sie die Schrauben von der Wartungsplatte und entfernen die Schutztafel. (Siehe Abb. 7.1)

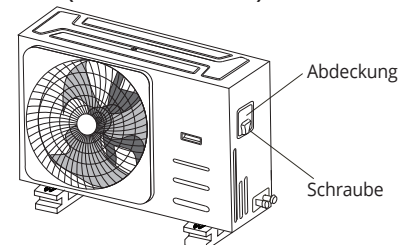
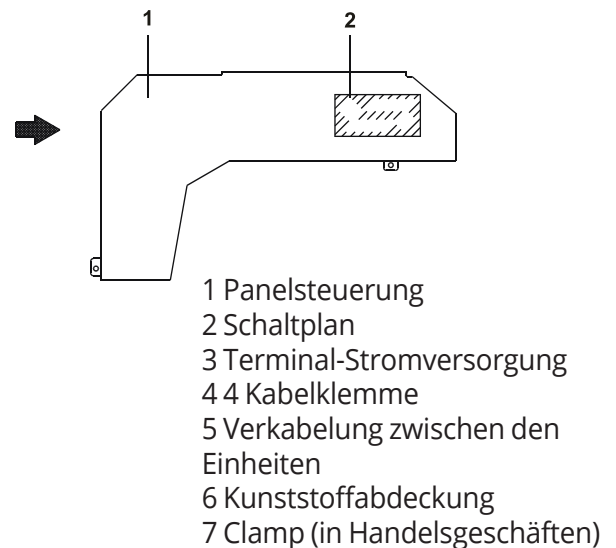


Abb. 7.1

3. Verbinden Sie die Klemmen mit den Buchsen

Passen Sie die Farben / Etiketten der Kabel mit den Etiketten der Klemmleiste zusammen und schrauben Sie die Klemme jedes Kabels auf die entsprechende Buchse.
4. Befestigen Sie das Kabel mit der Kabelklemme.
5. Isolieren Sie die Kabel, die nicht benutzt werden mit einem Isolierband. Sie müssen dafür sorgen dass sich die Kabel weit entfernt von Elektroteilen und Metallzubehör befinden.
6. Setzen Sie wieder die Abdeckung des Steuerkastens auf.



Verkabelung der Inneneinheit

- Bereiten Sie das Kabel für den Anschluss vor
 - Entfernen Sie mit einem Kabelabstreifer die elastische Isolierung an beiden Enden des Signalkabels um ungefähr 15cm (5.9") der enthaltenen Kabel zu enthüllen.
 - Schneiden Sie die Isolierung von den Enden der Drähte ab.
 - Mit Hilfe einer Kabelpresse, drücken Sie die Klemmen an die Enden der Kabel auf.
- Öffnen Sie die Frontplatte des Innengeräts. Entfernen Sie mit einem Schraubendreher die Abdeckung des elektrischen Steuerkastens an Ihrem Innengerät.
- Führen Sie das Netzkabel und das Signalkabel durch den Kabeldurchgang.
- Schließen Sie die Klemmen an die Buchsen an. Passen Sie die Farben / Etiketten der Kabel mit den Etiketten der Klemmleiste zusammen und schrauben Sie die Klemme jedes Kabels auf die entsprechende Buchse. Siehe Seriennummer und Schaltplan auf der Abdeckung des Steuerkastens.

VORSICHT

- Beachten Sie beim Anschließen der Kabel unbedingt den Schaltplan.
 - Der Kältemittelkreislauf kann eine sehr hohe Temperatur entwickeln. Das Schnittstellenkabel sollte vom Kupferrohr entfernt sein.
- Befestigen Sie das Kabel mit der voreingestellten Kabelklemme. Das Kabel darf nicht locker sein oder auf die Klemmen drücken.
 - Bringen Sie die Abdeckung des Steuerkastens und die Maske der Inneneinheit wieder an.

Spezifikationen der Innenraum Stromversorgung

MODELL (Btu/Std.)		≤18K	19K~24K	25K~36K	37K~50K	60K
POWER	PHASE	1 Phase	1 Phase	1 Phase	1 Phase	1 Phase
	VOLT	208-240V	208-240V	208-240V	208-240V	208-240V
LEITUNGSSCHUTZSCHALTER/ SICHERUNG(A)		25/20	32/25	50/40	70/55	70/60

MODELL (Btu/Std.))		≤36K	37K~60K	≤36K	37K~60K
POWER	PHASE	3 Phase	3 Phase	3 Phase	3 Phase
	VOLT	380-420V	380-420V	208-240V	208-240V
LEITUNGSSCHUTZSCHALTER/ SICHERUNG(A)		25/20	32/25	32/25	45/35

Outdoor Power Supply Specifications

MODELL (Btu/Std.)		≤18K	19K~24K	25K~36K	37K~50K	50K~60K
POWER	PHASE	1 Phase	1 Phase	1 Phase	1 Phase	3 Phase
	VOLT	208-240V	208-240V	208-240V	208-240V	380-420V
LEITUNGSSCHUTZSCHALTER/ SICHERUNG(A)		25/20	32/25	50/40	70/55	45/35

MODELL (Btu/Std.))		≤36K	37K~60K	≤36K	37K~60K
POWER	PHASE	3 Phase	3 Phase	3 Phase	3 Phase
	VOLT	380-420V	380-420V	208-240V	208-240V
LEITUNGSSCHUTZSCHALTER/ SICHERUNG(A)		25/20	32/25	32/25	45/35

Independent Power Supply Specifications

MODEL(Btu/h)		≤18K	19K~24K	25K~36K	37K~48K	49K~60K
POWER (indoor)	PHASE	1 Phase	1 Phase	1 Phase	1 Phase	1 Phase
	VOLT	208-240V	208-240V	208-240V	208-240V	208-240V
LEITUNGSSCHUTZSCHALTER/ SICHERUNG(A)		15/10	15/10	15/10	15/10	15/10
POWER (outdoor)	PHASE	1 Phase	1 Phase	1 Phase	1 Phase	1 Phase
	VOLT	208-240V	208-240V	208-240V	208-240V	208-240V
LEITUNGSSCHUTZSCHALTER/ SICHERUNG(A)		25/20	32/25	50/40	70/55	70/60

MODEL(Btu/h)		≤36K	37K~60K	≤36K	37K~60K
POWER (indoor)	PHASE	1 Phase	1 Phase	1 Phase	1 Phase
	VOLT	208-240V	208-240V	208-240V	208-240V
LEITUNGSSCHUTZSCHALTER/ SICHERUNG(A)		15/10	15/10	15/10	15/10
POWER (outdoor)	PHASE	3 Phase	3 Phase	3 Phase	3 Phase
	VOLT	380-420V	380-420V	208-240V	208-240V
LEITUNGSSCHUTZSCHALTER/ SICHERUNG(A)		25/20	32/25	32/25	45/35

Inverter Type A/C Power Specifications

MODEL(Btu/h)		≤18K	19K~24K	25K~36K	37K~48K	49K~60K
POWER (indoor)	PHASE	1 Phase	1 Phase	1 Phase	1 Phase	1 Phase
	VOLT	220-240V	220-240V	220-240V	220-240V	220-240V
LEITUNGSSCHUTZSCHALTER/ SICHERUNG(A)		15/10	15/10	15/10	15/10	15/10
POWER (outdoor)	PHASE	1 Phase	1 Phase	1 Phase	1 Phase	1 Phase
	VOLT	208-240V	208-240V	208-240V	208-240V	208-240V
LEITUNGSSCHUTZSCHALTER/ SICHERUNG(A)		25/20	25/20	40/30	50/40	50/40

MODEL(Btu/h)		≤36K	37K~60K	≤36K	37K~60K
POWER (indoor)	PHASE	1 Phase	1 Phase	1 Phase	1 Phase
	VOLT	220-240V	220-240V	220-240V	220-240V
LEITUNGSSCHUTZSCHALTER/ SICHERUNG(A)		15/10	15/10	15/10	15/10
POWER (outdoor)	PHASE	3 Phase	3 Phase	3 Phase	3 Phase
	VOLT	380-420V	380-420V	208-240V	208-240V
LEITUNGSSCHUTZSCHALTER/ SICHERUNG(A)		25/20	32/25	32/25	40/30

Sicherheitshinweise

! VORSICHT

- Benutzen Sie eine Vakuumpumpe mit einer Anzeige unter $-0,1$ MPa und einer Entlüftungskapazität von mehr als 40l/min.
- Die Außeneinheit braucht keine Entlüftung. **KEINE** Gas- und Wasserventile (Absperrventile) der Außeneinheit öffnen.
- Stellen Sie sicher, dass das Gerät nach 2 Stunden $-0,1$ MPa und darunter anzeigt. Wenn nach drei Stunden Betrieb die Anzeige des Messgeräts weiterhin größer als $-0,1$ MPa ist, müssen Sie überprüfen ob ein Gas- oder Wasserauslauf innerhalb des Rohres vorhanden ist. Wenn keine Leckage besteht, führen Sie eine Entleerung für 1 bis 2 Stunden durch.
- **KEIN** Kühlgas für die Entleerung der Anlage benutzen.

Entleerungsanleitung

Bevor Sie die Manometer-Ventilverteiler und die Vakuumpumpe benutzen, lesen Sie bitte die Gebrauchsanleitung für alle Instrumente um sicherzustellen dass Sie diese sicher bedienen können.

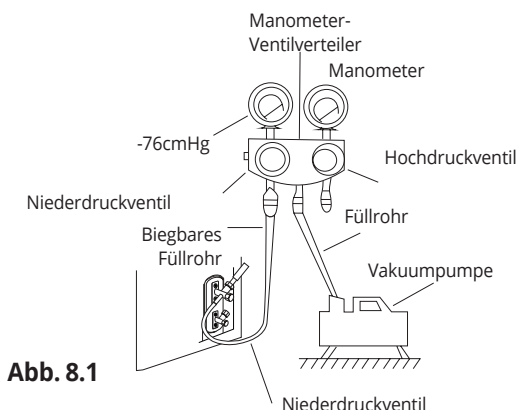


Abb. 8.1

1. Schließen Sie das Füllrohr der Manometer-Ventilverteiler an die Wartungsklappe am Niederdruckventil der Außeneinheit an.
2. Schließen Sie das Rohr der Manometer Ventilverteiler an die Vakuumpumpe an.
3. Öffnen Sie die Niederdruckseite der Manometer-Ventilverteiler. Halten Sie die Hochdruckseite geschlossen.

4. Starten Sie die Vakuumpumpe um das System zu entleeren.
5. Lassen Sie die Pumpe für mindestens 15 Minuten bzw. bis am Multi-Instrument die Anzeige -76cm-HG ($-1 \times 10^5\text{Pa}$) erscheint, im Vakuumbetrieb laufen.
6. Schließen Sie das Niederdruckventil der Manometer-Ventilverteiler und schalten Sie die Vakuumpumpe ab.
7. Warten Sie 5 Minuten, und vergewissern Sie sich dann dass der Systemdruck unverändert bleibt.

HINWEIS: Wenn es keine Veränderung des Systemdrucks gibt, schrauben Sie die Hochdruckventilkappe ab. Bei einer Druckänderung kann ein Gasleck auftreten

8. Führen Sie einen Sechskantschlüssel in das Hochdruckventil ein und öffnen Sie das Ventil in dem Sie den Sechskantschlüssel gegen den Uhrzeigersinn um $1/4$ Umdrehung drehen. Bemerkten Sie ob das Gas von der Anlage ausströmt und schließen Sie nach 5 Sekunden das Ventil.

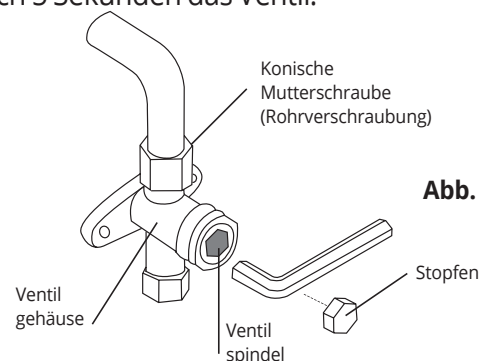


Abb. 8.2

9. Beobachten Sie das Manometer für eine Minute um sicherzustellen dass die Druckanzeige unverändert bleibt. Das Manometer sollte etwas höher als der Atmosphärendruck sein.
10. Entfernen Sie den biegbaren Füllschlauch vom Wartungsanschluss.
11. Öffnen Sie mit einem Ringschlüssel vollkommen beide Ventile, für Nieder- und Hochdruck.

ÖFFNEN SIE DIE VENTILSPINDELN GLEICHMÄSSIG

Beim Öffnen der Ventilspindeln, drehen Sie den Sechskantschlüssel bis zum Anschlag (Stopp). Versuchen Sie **NICHT** die Ventile mit Gewalt noch weiter zu öffnen.

12. Ziehen Sie von Hand die Stopfen der Ventile an und ziehen Sie dann mit einem geeigneten Werkzeug an.

Hinweis zum Kühlmittelzusatz

VORSICHT

- Der Zusatz von Kühlmittel muss nach Abschluss der Anschlussarbeiten, der Vakuumabwicklung und der Leckprüfung durchgeführt werden.
- **NICHT** die maximal zulässige Kühlmittelmenge überschreiten und nicht die Anlage überfüllen. Dies kann dem Gerät einen Schaden zufügen oder den ordentlichen Betrieb beeinträchtigen.
- Eine Füllung mit ungeeigneten Stoffen kann Explosionen oder Verletzungen hervorrufen. Vergewissern Sie sich dass das geeignete Kühlmittel benutzt wird.
- Die Kühlmittelbehälter müssen vorsichtig und langsam geöffnet werden. Während der Füllung der Anlage immer Schutzausrüstung tragen.
- KEINE **verschiedenen Kühlmittelsorten mischen.**
- **Für das Modell mit Kühlmittel R290 oder R32, müssen Sie dafür sorgen dass bei der Überprüfung des entzündlichen Materials während des Zusatzes des Kühlmittels in das Klimagerät, sichere Raumbedingungen herrschen.**

Bei einigen Systemen ist je nach Rohrlänge eine zusätzliche Aufladung erforderlich. Typische Rohrlängen variieren gemäß den örtlichen Bestimmungen. In Nordamerika beträgt die typische Rohrlänge beispielsweise 7,5 m (25 '). In anderen Bereichen beträgt die typische Rohrlänge 5 m (16 '). Das zusätzlich einzufüllende Kühlmittel kann nach folgender Formel berechnet werden:

Durchmesser der Flüssigkeitsseite

	φ6.35(1/4")	φ9.52(3/8")	φ12.7(1/2")
R32 :	(Gesamtrohrlänge - typische Rohrlänge)x 12g(0.13oz)/m(ft)	(Gesamtrohrlänge - typische Rohrlänge)x 24g (0.26oz)/m(ft)	(Gesamtrohrlänge - typische Rohrlänge)x 40g (0.42oz)/m(ft)

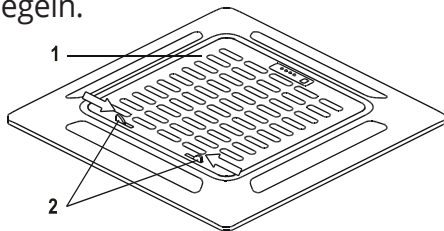
VORSICHT

Platzieren Sie den Panel nicht mit dem Gesicht auf dem Boden, an einer Wand oder auf unregelmäßigen Oberflächen.

Modelle: V7CRI-12WiFiR, V7CRI-18WiFiR

1. Schritt: Entfernen Sie die Frontlüftungsöffnung.

1. Drücken Sie beide Laschen gleichzeitig in die Mitte, um den Lüftungsöffnungshaken zu entriegeln.



1 Aussenpanel
2 Haken

Abb. 9.1

2. Halten Sie die Lüftungsöffnung in einem Winkel von 45°, heben Sie es leicht an und entfernen Sie es vom Hauptteil.

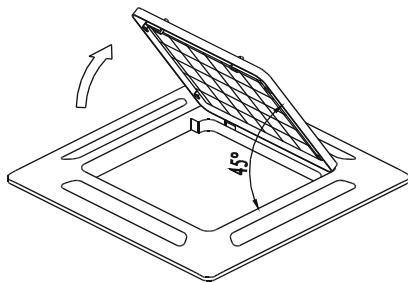
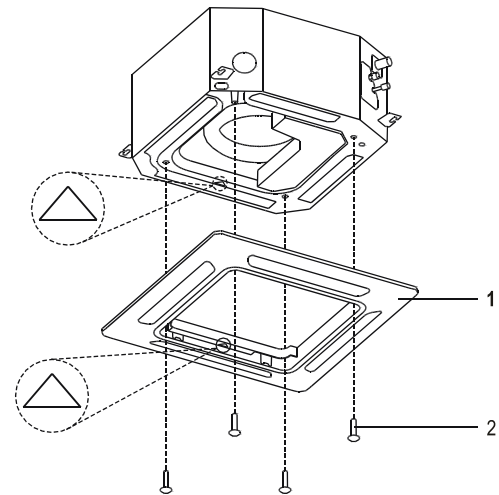


Abb. 9.2

2. Schritt: Panel installieren

Richten Sie den Frontpanel mit dem Hauptgehäuse aus und berücksichtigen Sie dabei die Position der Rohr- und Ablaufseiten. Hängen Sie die vier Riegel des Panels von den Haken der Inneneinheit. Ziehen Sie die Befestigungsschrauben des Panels an den vier Ecken gleichmäßig an.



1 Panel
2 Schrauben (M5)

Abb. 9.3

Stellen Sie nach der Installation des Panels sicher, dass zwischen dem Gerät und dem Panel kein Abstand ist. Andernfalls kann Luft durch den Spalt und den Tautropfen austreten. (Siehe Abbildung unten).

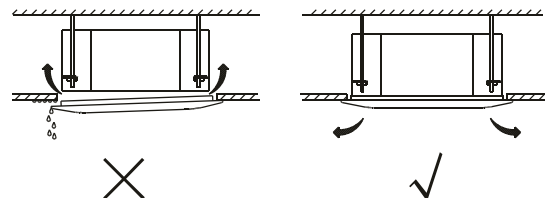


Abb. 9.4

3. Schritt: Installieren Sie das Einlassgitter.

Stellen Sie sicher, dass die Maske auf der Rückseite korrekt installiert ist.

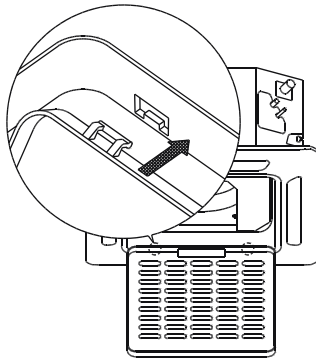


Abb. 9.5

4. Schritt: Verbinden Sie die 2 Drähte im Panel auf der Geräteplatine.

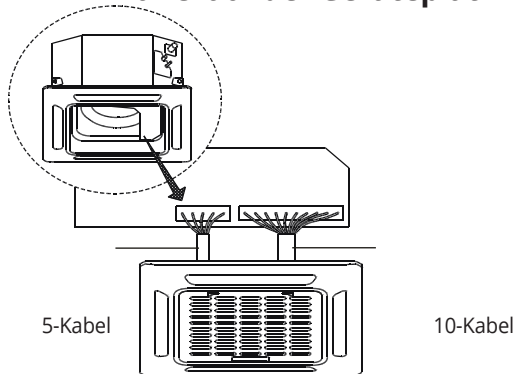
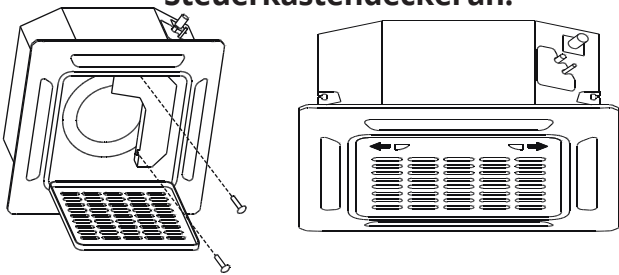


Abb. 9.6

5- Schritt: Ziehen Sie die 2 Schrauben am Steuerkastendeckel an.



6. Schritt: Schließen Sie die Lüftungsöffnung und die beiden Haken.

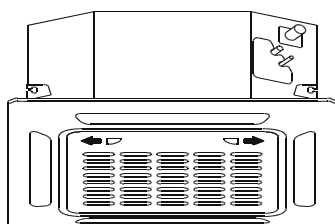
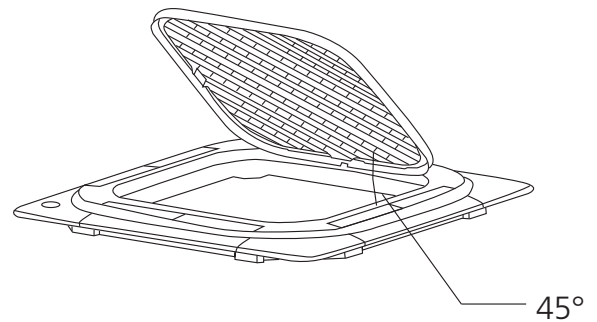
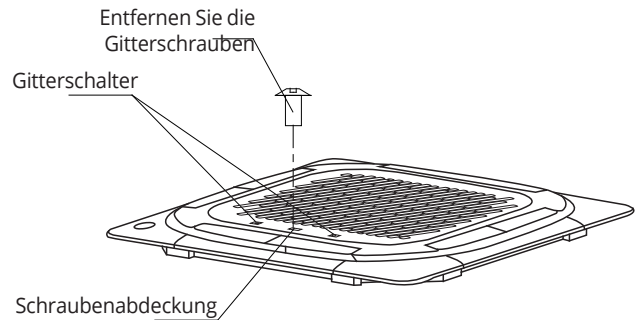


Abb. 9.7

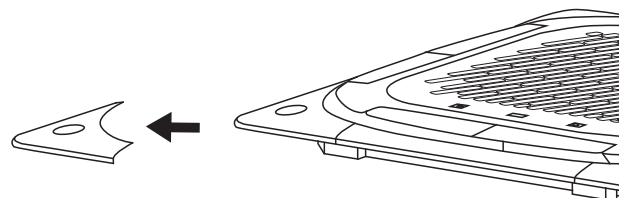
Modelle: V7CI-24WiFIR, V7CI-36WiFIR, V7CI-42WiFIR, V7CI-50WiFIR, V7CI-60WiFIR

Schritt 1: Entfernen Sie den Frontgrill.

1. Drücken Sie die beiden Laschen gleichzeitig zur Mitte gleichzeitig, um den Haken am Gitter zu entriegeln Gitters zu lösen.
2. Halten Sie das Gitter in einem 45°-Winkel, heben Sie es leicht an und nehmen Sie es vom Hauptkörper ab.



Schritt 2: Entfernen Sie die Montageabdeckungen an den vier Ecken, indem Sie sie nach außen schieben.

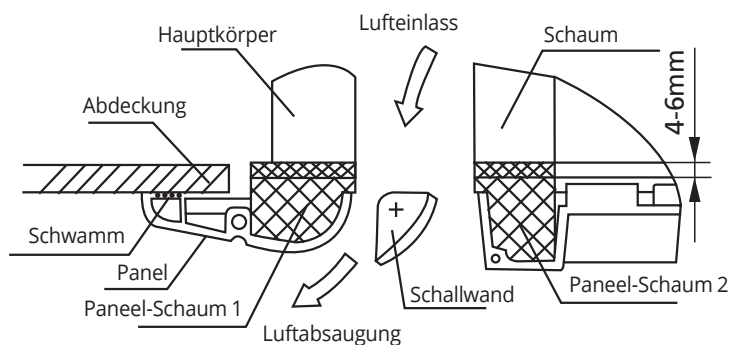
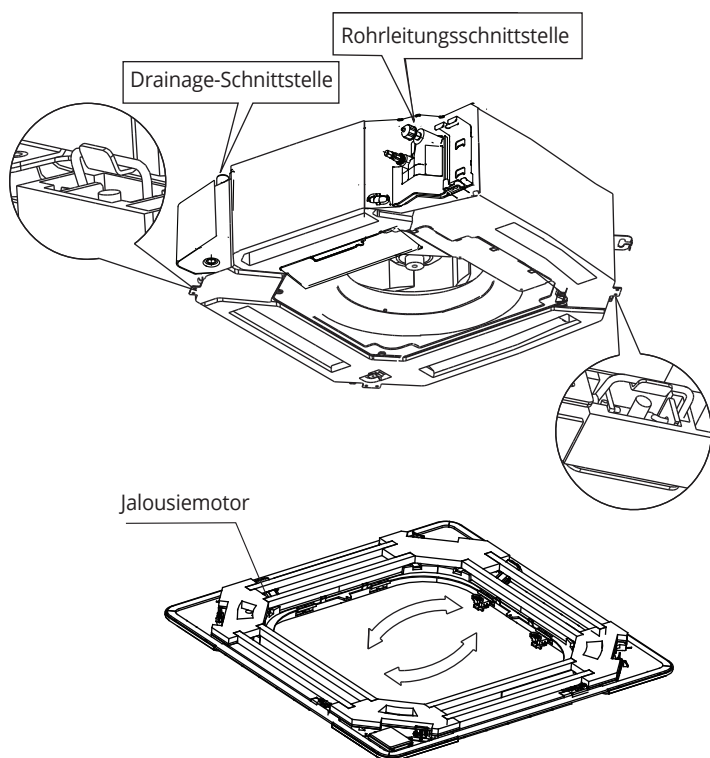


Schritt 3: Panel installieren.

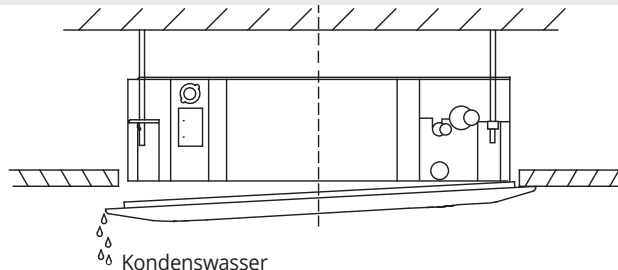
Richten Sie den Frontpanel mit dem Hauptgehäuse aus und berücksichtigen Sie dabei die Position der Rohr- und Ablaufseiten. Hängen Sie die vier Riegel des Panels von den Haken der Inneneinheit. Ziehen Sie die Befestigungsschrauben des Panels an den vier Ecken gleichmäßig an.

HINWEIS: Ziehen Sie die Schrauben an, bis die Dicke des Schwamms zwischen dem Hauptkörper und der Platte auf 4-6mm (0.2- 0.3"). Die Kante der Platte sollte in Kontakt mit der Decke sein.

Stellen Sie das Panel durch Drehen in die gepfeilte Richtung, so dass die Deckenöffnung vollständig abgedeckt ist.

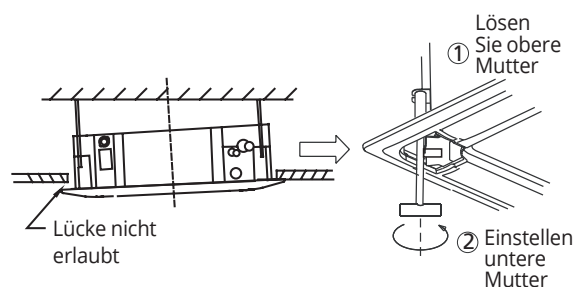


HINWEIS: Wenn die Höhe des Innengeräts eingestellt werden muss, können Sie dies durch die Öffnungen an den vier Ecken der Platte vorgenommen werden. Stellen Sie sicher, dass die interne Verdrahtung und das Abflussrohr durch diese Einstellung nicht beeinträchtigt werden.



⚠️ ACHTUNG

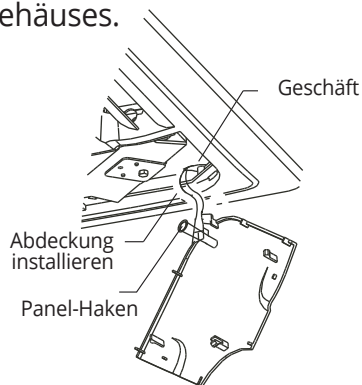
Wenn Sie die Schrauben nicht festziehen, kann Wasser undicht werden.



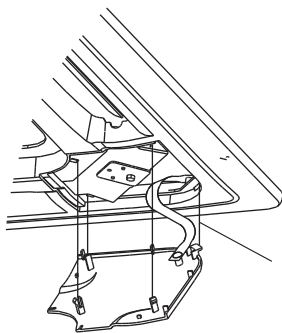
⚠️ ACHTUNG

Wenn das Gerät nicht richtig aufgehängt ist und ein Spalt vorhanden ist, muss die Höhe des Geräts eingestellt werden, um eine einwandfreie Funktion zu gewährleisten. Die Höhe des Geräts kann durch Lösen der oberen Mutter und Verstellen der unteren Mutter eingestellt werden.

Hängen Sie das Ansauggitter in die Schalttafel ein, und verbinden Sie dann die Leitungsanschlüsse des Jalousiemotors und des Schaltkastens auf der Schalttafel mit den entsprechenden Anschlüssen des Hauptgehäuses.



Setzen Sie das Ansauggitter wieder ein. Bringen Sie die Installationsabdeckung wieder an. Befestigen Sie das Seil der Installationsabdeckplatte an der Säule der Installationsabdeckplatte und drücken Sie die Installationsabdeckplatte vorsichtig in das Panel.



Schieben Sie bei der Installation der Abdeckung die vier Schiebeverschlüsse in die entsprechenden Schlitze der Platte.

HINWEIS: Nach der Installation müssen die Stoßverbinder von Display, Schwinge, Wasserpumpe und anderen Drahtkörpern in den elektrischen Schaltkasten gesteckt werden.

Vor dem Testbetrieb

Nach vollständigem Abschluss der Installation der gesamten Anlage muss ein Testbetrieb durchgeführt werden. Bevor Sie den Testbetrieb durchführen müssen Sie Folgendes sicherstellen:

- a) Die Innen- und Außeneinheiten wurden ordnungsgemäß installiert.
- b) Verrohrungen und Verkabelung wurden ordnungsgemäß angeschlossen.
- c) Stellen Sie sicher, dass sich keine Hindernisse in der Nähe der Einlass- und Auslassöffnungen des Geräts befinden, die die Leistung beeinträchtigen oder Fehlfunktionen verursachen könnten.
- d) Das Kühlsystem weist kein Leck auf.
- e) Das Abflusssystem bleibt frei und der Abfluss erfolgt an einer sicheren Stelle.
- f) Die Wärmedämmung wurde ordnungsgemäß angebracht.
- g) Die Erdungskabel sind korrekt angeschlossen.
- h) Die Länge der Verrohrungen und die zusätzliche Kühlmittelspeicherkapazität wurden erfasst.
- i) Die Stromspannung ist richtig für die Klimaanlage.

VORSICHT

Wenn Sie versäumen den Testbetrieb durchzuführen kann dies zu Schäden am Gerät, Sachschäden oder Verletzung von Personen führen.

Testbetriebsanleitungen

1. Öffnen Sie die Schalter (Absperrventile) für Flüssigkeit und Gas.
2. Öffnen Sie den Hauptschalter und lassen Sie das Gerät vorheizen.
3. Stellen Sie die Klimaanlage auf COOL (Kühlung).
4. Für das Innengerät
 - a. Stellen Sie sicher, dass die Fernbedienung und ihre Tasten ordnungsgemäß funktionieren.
 - b. Vergewissern Sie sich, dass sich die Lamellen ordnungsgemäß bewegen und ihre Funktion über die Fernbedienung geändert werden kann.
 - c. Prüfen Sie sorgfältig, ob die Raumtemperatur korrekt erfasst wurde.
 - d. Vergewissern Sie sich dass die Anzeige der

- e. Fernbedienung und die Anzeigetafel der Inneneinheit ordnungsgemäß funktionieren.
 - e. Vergewissern Sie sich dass die von Hand bedienten Tasten der Inneneinheit ordnungsgemäß funktionieren.
 - f. Vergewissern Sie sich dass das Ablaufsystem frei bleibt und dass der Ablauf ordentlich verläuft.
 - g. Vergewissern Sie sich das keine Schwingungen bzw. unnormaler Lärm während des Betriebs entstehen.
5. Für die Außeneinheit
- a. Überprüfen Sie ob eventuelle Leckagen am Kühlsystem vorhanden sind.
 - b. Vergewissern Sie sich das keine Schwingungen bzw. unnormaler Lärm während des Betriebs entstehen.
 - c. Sorgen Sie dafür dass von der Einheit abgegebene Luft, Lärm und Wasser nicht die Nachbarn stören und keine Gefahr für die Sicherheit bilden.
6. Ablauftest
- a. Stellen Sie sicher, dass das Ablaufrohr einen ruhigen Fluss hat. Bei Neubauten sollte dieser Test durchgeführt werden, bevor die Decke fertiggestellt ist.
 - b. Entfernen Sie die Steuerungsabdeckung. Füllen Sie 2.000 ml Wasser durch das angeschlossene Rohr in den Tank.
 - c. Schalten Sie den Hauptschalter ein und betreiben Sie die Klimaanlage beim Kühlen (COOL).
 - d. Hören Sie die Kondensatpumpe auf ungewöhnliche Geräusche.
 - e. Stellen Sie sicher, dass das Wasser abgelassen wird. Je nach Ablaufrohr kann es bis zu einer Minute dauern, bis das Gerät entleert ist.
 - f. Stellen Sie sicher, dass an keiner Stelle in den Rohrleitungen Lecks vorhanden sind.
 - g. Stoppen Sie die Klimaanlage. Schalten Sie den Hauptschalter aus und bringen Sie die Testabdeckung wieder an.

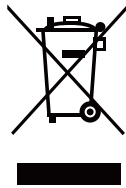
HINWEIS: Wenn das Gerät fehlerhaft oder in einer unerwarteten Weise funktioniert, lesen Sie bitte das Kapitel Fehlerbehebung in dieser Gebrauchsanleitung bevor Sie den Kundendienst anrufen.

Benutzer in den Staaten der Europäischen Union müssen das Gerät angemessen entsorgen. Dieses Gerät enthält entzündbares Kältemittel und andere eventuell gefährliche Materialien. Für die Entsorgung dieses Geräts wird eine gesetzlich vorgesehene Einsammlung und Verarbeitung vorgesehen.
Dieses Produkt **NICHT** zusammen mit Haushaltsmüll oder gemischten Siedlungsabfällen entsorgen.

Für die Entsorgung dieses Geräts stehen Ihnen folgende Optionen zur Verfügung:

- Entsorgen Sie das Gerät an eine geeignete Gemeindeanlage für Einsammlung von Elektronik-Altgeräten.
- Beim Kauf eines neuen Geräts wird der Händler das alte Gerät kostenlos entgegennehmen.
- Der Hersteller wird das alte Gerät kostenlos entgegennehmen.
- Verkaufen Sie das Gerät an ein Alt-Metall Management-Unternehmen.

HINWEIS: Die Entsorgung des Geräts auf dem Land oder in einem Waldgebiet ist schädlich für Ihre Gesundheit und die Umwelt. Es besteht die Möglichkeit, dass gefährliche Stoffe in das Grundwasser eindringen und in die Nahrungskette gelangen.



1. Überprüfung des Raums

Vor Beginn der Arbeiten an Anlagen, die entzündliche Kühlmittel enthalten, ist die Durchführung von Sicherheitsprüfungen erforderlich um eine Minimierung der Zündgefährlichkeit zu gewährleisten. Bei der Reparatur von Kühlsystemen müssen vor Beginn der Arbeiten an der Anlage folgende Vorsichtsmaßnahmen eingehalten werden.

2. Arbeitsverfahren

Die Arbeiten müssen auf der Grundlage eines geregelten Verfahrens vorgenommen werden um die Gefahr einer Freisetzung von entzündlichen Gasen oder Ausdünstungen bei der Durchführung der Arbeiten zu minimieren.

3. Allgemeiner Arbeitsraum

Das gesamte Wartungspersonal und andere in der Nähe beschäftigten Personen müssen über die Art der vorgenommenen Arbeiten informiert worden sein. Arbeiten in geschlossenen Räumen müssen vermieden werden. Das Gebiet rund um den Arbeitsbereich muss gesperrt werden. Vergewissern Sie sich durch Kontrolle der entzündlichen Stoffe dass die Bedingungen im Arbeitsbereich sicher sind.

4. Kontrollieren Sie ob Kühlmittel vorhanden ist

Der Bereich muss vor Beginn und während der Arbeiten mit geeignetem Kühlmitteldetektor kontrolliert werden um zu gewährleisten dass das Fachpersonal über das Vorhandensein einer eventuell entzündlichen Atmosphäre Kenntnis genommen hat. Vergewissern Sie sich dass die benutzte Ausrüstung zur Ortung von Leckagen für Gebrauch mit entzündlichen Kühlmitteln geeignet ist, d.h. sie ist so konzipiert dass keine Funken verursacht werden, sie ist dicht genug und gebrauchssicher.

5. Vorhandensein eines Feuerlöschers

Wenn Heißenarbeiten an der Kühlanlage oder an ähnlichem Zubehör durchgeführt werden, muss sofort eine geeignete Feuerlöschausstattung zur Verfügung stehen. Sorgen Sie dafür dass ein Pulver- oder CO₂-Feuerlöscher neben der Füllungsstelle vorhanden ist.

6. Abwesenheit von Zündquellen

Es ist keiner Person gestattet, die mit einem Kühltank arbeitet, das ein brennbares Kältemittel enthält, Zündquellen so zu verwenden, dass Brand- oder Explosionsgefahr besteht. Alle Zündquellen, einschließlich des Rauchens, müssen sich in einem sicheren Abstand vom Ort der Installation, der Reparatur, des Ausbaus und der Entsorgung befinden, wenn immer das Risiko einer Freisetzung des Kühlmittels in die Umgebung besteht. Vor Beginn der Arbeiten muss eine Inspektion des Bereichs rund um das Gerät vorgenommen werden um die Abwesenheit von entzündlicher Ausstattung bzw. Zündgefährlichkeit zu bestätigen. Es müssen „NICHT RAUCHEN“-Kennzeichnungen angebracht werden.

7. Gelüfteter Raum

Bevor Sie in die Anlage eingreifen oder Heißenarbeiten durchführen müssen Sie sich vergewissern dass sich der Raum im Freien befindet oder ausreichend gelüftet wird. Ein gewisser Lüftungsgrad

muss auch während der Durchführung der Arbeiten gegeben sein. Die Entlüftung muss das eventuell freigesetzte Kühlmittel sicher zerstreuen, vorzugsweise sollte sie es in die Atmosphäre abführen.

8. Kontrollen an der Kühlanlage

Im Fall in dem elektrische Teile ersetzt werden, müssen diese für den vorgesehenen Zweck geeignet sein und den Vorschriften entsprechen. Auf jeden Fall müssen die Anleitungen und Wartungshinweise des Herstellers befolgt werden. Im Zweifelsfall, kontaktieren Sie den Kundendienst des Herstellers.

Bei Anlagen, wo entzündliche Kühlmittel benutzt werden müssen folgende Prüfungen durchgeführt werden:

- Die Größe der Ladung ist proportional zu den Abmessungen des Raums, in dem sich die Komponenten befinden, die das Kältemittel enthalten
- das Gerät und die Lüftungsstutzen funktionieren ordnungsgemäß und werden nicht gesperrt
- Wenn ein indirekter Kältemittelkreislauf verwendet wird, sollten die Sekundärkreisläufe auf Kältemittel geprüft werden. Die Kennzeichnung der Ausrüstung sollte weiterhin sichtbar und lesbar sein
- eventuell unleserliche Kennzeichnungen und Symbole müssen wiederhergestellt werden
- Das Kühlmittelrohr oder seine Anschlüsse sind so angeordnet, dass es unwahrscheinlich ist, dass sie Substanzen ausgesetzt sind, die zu Korrosion in kältemittelhaltigen Bauteilen führen können, es sei denn, die Bauteile bestehen aus korrosionsbeständigen Baumaterialien und sind ausreichend gegen dieser geschützt.

9. Kontrollen an Elektrogeräten

Die Reparatur und Wartung von elektrischem Zubehör umfasst erste Sicherheitserstprüfungen und Inspektionsverfahren für die Bauteile. Liegt eine Störung vor, die eine Gefahr für die Sicherheit darstellen könnte, darf keine Stromversorgung angeschlossen werden bis diese Störung in geeigneter Weise beseitigt worden ist. Im Fall in dem die Störung nicht sofort beseitigt werden kann, aber ein Weiterlauf des Betriebs trotzdem notwendig ist, und deshalb eine akzeptable vorläufige Lösung angewandt wird. Diese Angelegenheit muss dem Betreiber des Geräts mitgeteilt werden, so dass alle verwickelte Personen darüber informiert sind. Erste Sicherheitserstprüfungen umfassen:

- Entladung der Kondensatoren: dies muss auf eine sichere Art und Weise geschehen um mögliche Funken zu vermeiden
- dass keine ausgesetzten Elektroteile und Verkabelungen während der Ladung, Rückgewinnung oder Leerpumpen der Anlage bestehen
- kontinuierliche Erdung

10. Reparaturen an dichten Bauteilen

10.1 Während der Reparaturen an dichten Bauteilen müssen alle Stromversorgungen vom Gerät abgetrennt werden, bevor hermetische Abdeckungen usw. entfernt werden um in das Gerät einzugreifen. Wenn während der Reparaturen unbedingt eine Stromversorgung am Gerät erforderlich ist, muss an der kritischsten Stelle eine ständige Leckdetektorfunktion eingesetzt werden um über einen potenziell gefährlichen Zustand zu warnen.

10.2 Folgende Angaben müssen besonders beachtet werden um sicherzustellen dass keine Verformung des Gehäuses während der Arbeiten an Elektrobauteilen stattfindet, die das Schutzniveau beeinträchtigen kann. Dazu gehören Kabelschäden, eine zu hohe Anzahl von Anschlüssen, Klemmen, die nicht gemäß den Anfangsvorschriften gestaltet worden sind,

Dichtungsmaterialschäden, fehlerhafter Einsatz von Kabelverschraubungen usw.

- Vergewissern Sie sich dass das Gerät fest befestigt ist.
- Vergewissern Sie sich dass die Flanschen bzw. das Dichtungsmaterial nicht in so einem Maße beschädigt ist, dass es nicht mehr das Eindringen von entzündlichen Gasen abwenden kann. Ersatzteile müssen den Vorschriften des Herstellers entsprechen.

HINWEIS: Der Gebrauch von Silikondichtmassen kann die Wirksamkeit von bestimmten Leckdetektoren einschränken. Werkseitig sichere Bauteile brauchen keine Isolierung bevor sie bearbeitet werden.

11. Reparaturen an werkseitig sicheren Bauteilen

Legen Sie keine ständige induktive bzw. kapazitive Last an den Stromkreis an ohne zuvor sicherzustellen das letzterer nicht das zulässige Spannungs- und Stromniveau für das benutzte Gerät überschreiten kann. Werkseitig sichere Bauteile, sind die einzigen an denen Arbeiten bei vorhandener entzündlichen Atmosphäre durchgeführt werden dürfen während sie an der Spannung angeschlossen sind. Das Prüfgerät muss einen geeigneten Nennwert aufweisen. Bauteile nur mit vom Hersteller vorgesehenen Ersatzteilen austauschen. Benutzung anderer Teile kann im Fall einer Emission in die Atmosphäre zur Zündung des Kühlmittels beitragen.

12. Verkabelung

Vergewissern Sie sich dass die Verkabelung keinem Verschleiß, Korrosion, übermäßigen Druck, Vibrationen, scharfen Kanten oder anderen schädlichen Umwelteinflüssen ausgesetzt ist. Bei der Inspektion müssen die Betriebsjahre des Geräts und die ständigen Vibrationen von Teilen wie Kompressoren oder Ventilatoren berücksichtigt werden.

13. Erfassung von entzündlichen Kühlmitteln

Auf keinen Fall dürfen mögliche Zündquellen für die Suche oder Ortung von Kühlmittellecken benutzt werden. Es darf keine Halogen-Metallflamme (oder andere Detektoren, die eine offene Flamme benutzen) benutzt werden.

14. Leckerfassungsverfahren

Folgende Leckerfassungsverfahren gelten als geeignet für Anlagen, die entzündliche Kühlmittel enthalten. Es sollten elektronische Leckdetektoren für die Erfassung entzündlicher Kühlmittel benutzt werden, aber deren Empfindlichkeit kann möglicherweise nicht ausreichend sein oder sie müssen erneut kalibriert werden. (Die Erfassungsvorrichtung muss in einem Raum kalibriert werden, wo kein Kühlmittel vorhanden ist.) Vergewissern Sie sich dass der Detektor keine potenzielle Zündquelle darstellt und dass er für das Kühlmittel geeignet ist. Die Leckerfassungsvorrichtung muss als Anteil des LFL des Kühlmittels eingestellt werden und gemäß des benutzten Kühlmittels kalibriert werden, wobei der geeignete Gasanteil bestätigt werden muss (25% max.). Leckerfassungsflüssigkeiten sind für die meisten Kühlmittel geeignet, aber der Gebrauch von Reinigungsmitteln, die Chlor enthalten, muss gemieden werden, da Chlor möglicherweise mit dem Kühlmittel reagieren kann und somit eine Korrosion der Kupferrohre verursachen kann.

Wenn der Verdacht eines Lecks besteht, müssen Sie alle offenen Flammen entfernen oder löschen. Wenn ein Kühlmittelleck erfasst wird, für das ein Hartlöten erforderlich ist, müssen Sie das gesamte Kühlmittel der Anlage zurückgewinnen oder es in einem Bereich der Anlage isolieren (mittels Absperrventilen), der sich weit weg vom Leck befindet. Sauerstofffreier Stickstoff (OFN) wird dann vor und während des Hartlötens in das System eingespeist.

15. Entfernen und entleeren

Beim Eingriff im Kältemittelkreislauf zur Reparatur oder für andere Zwecke sollten herkömmliche Verfahren angewendet werden. Es ist jedoch wichtig, die aktuelle bewährte Praxis anzuwenden, wenn es um das Thema Zündung geht. Das folgende Verfahren sollte befolgt werden:

- Kältemittel entfernen
- den Kreislauf mit einem Inertgas reinigen
- Leerpumpen
- wieder mit Inertgas reinigen
- Öffnen des Stromkreises durch Schneiden oder Hartlöten

Die Kältemittelfüllung sollte in den entsprechenden Rückgewinnungsflaschen rückgewonnen werden. Das System sollte mit OFN gereinigt werden, damit das Gerät sicher ist. Dieser Vorgang muss möglicherweise mehrmals wiederholt werden. Für diese Aufgabe sollte keine Druckluft oder Sauerstoff verwendet werden.

Die Reinigung sollte durch Abschalten des Vakuums im System mit OFN und anschließendes Füllen bis zum Erreichen des Betriebsdrucks und anschließender Entlastung in die Atmosphäre und letztendlich des Vakuumbaus erfolgen. Dieser Vorgang sollte wiederholt werden, bis sich kein Kältemittel im System befindet.

Wenn die OFN-Endlast verwendet wird, sollte das System bis zum Erreichen des Atmosphärendrucks entlastet werden, damit die Arbeit erledigt werden kann. Diese Arbeit ist von größter Bedeutung, wenn an den Rohren Lötvorgänge durchgeführt werden sollen. Stellen Sie sicher, dass sich der Auslass der Vakuumpumpe nicht in der Nähe möglicher Zündquellen befindet und dass Belüftung vorhanden ist.

16. Füllverfahren

Neben den herkömmlichen Ladeverfahren müssen folgende Voraussetzungen erfüllt sein:

- Stellen Sie sicher, dass die verschiedenen Kältemitteltypen beim Einsatz des Ladegeräts nicht kontaminiert sind. Die Schläuche oder Leitungen sollten so kurz wie möglich sein, um die Menge an Kältemittel zu minimieren.
- Flaschen sollten aufrecht stehen.
- Stellen Sie sicher, dass das Kühlsystem geerdet ist, bevor Sie das System mit Kühlmittel füllen.
- Markieren Sie das System, wenn der Ladevorgang abgeschlossen ist (falls noch nicht markiert).
- Es ist darauf zu achten, dass das System nicht übermäßig gefüllt wird.
- Vor dem Nachfüllen des Systems wird eine Druckprüfung mit OFN durchgeführt. Das System wird nach Abschluss des Ladevorgangs, aber vor der Inbetriebnahme auf Dichtheit geprüft. Vor dem Verlassen der Installation wird ein wiederholter Lecktest durchgeführt.

17. Außerbetriebnahme

Bevor Sie dieses Verfahren durchführen, ist es wichtig, dass der Techniker mit dem Gerät in allen Einzelheiten vertraut ist. Es wird empfohlen, alle Kältemittel sicher zurückzugewinnen. Bevor Sie diese Aufgabe ausführen, sollten Sie eine Probe von Öl und Kühlmittel entnehmen.

Wenn vor der Wiederverwendung des rückgewonnenen Kältemittels eine Analyse erforderlich ist, muss vor Beginn der Arbeit Strom verfügbar sein.

- a) Machen Sie sich mit dem Gerät und seiner Bedienung vertraut.
- b) Trennen Sie das System von der Stromversorgung.

- c) Bevor Sie dieses Verfahren versuchen, stellen Sie sicher, dass:
- Für den Umgang mit Kühlmittelflaschen stehen, falls erforderlich, mechanische Handhabungsgeräte zur Verfügung
 - Alle persönliche Schutzausrüstung ist verfügbar und wird korrekt verwendet
 - Der Rückgewinnungsprozess wird ständig von einer Person mit dem entsprechenden Wissen überwacht
 - Die Rückgewinnungsausrüstung und Flaschen mit den entsprechenden Normen in Einklang stehen
- d) Wenn möglich, den Druck auf das Kühlmittelsystem durch Pumpen reduzieren.
- e) Wenn es nicht möglich ist, ein Vakuum aufzubauen, erstellen Sie einen Verteiler, damit das Kühlmittel aus den verschiedenen Teilen des Systems entfernt werden kann.
- f) Stellen Sie sicher, dass sich die Walze auf eine Skale befindet, bevor Sie die Wiederherstellung durchführen.
- g) Starten Sie das Rückgewinnungsgerät und verwenden Sie es gemäß den Anweisungen des Herstellers.
- h) Überfüllen Sie die Flaschen nicht. (nicht mehr als 80% der Flüssigkeitsladung nach Volumen).
- i) Überschreiten Sie den maximalen Arbeitsdruck der Flasche nicht, wenn auch vorübergehend.
- j) Wenn die Flaschen ordnungsgemäß gefüllt und der Prozess abgeschlossen ist, stellen Sie sicher, dass die Flaschen und die Ausrüstung sofort aus dem Bereich entfernt werden und alle Absperrventile der Ausrüstung geschlossen sind.
- k) Das rückgewonnene Kältemittel darf nicht in ein anderes Kühlsystem gegeben werden, es sei denn, es wurde zuvor gereinigt und getestet.

18. Kennzeichnung

Die Ausrüstung sollte beschriftet sein so dass angezeigt wird, dass es nicht verwendet wird und dass das Kältemittel entleert wurde. Das Etikett muss datiert und unterschrieben sein. Stellen Sie sicher, dass sich auf dem Gerät Etiketten befinden, die darauf hinweisen, dass das Gerät ein brennbares Kältemittel enthält.

19. Wiedergewinnung

- Beim Entfernen des Kältemittels aus einem System, entweder zur Wartung oder zur Außerbetriebnahme, wird empfohlen, alle Kältemittel sicher zu entfernen.
- Stellen Sie beim Transport von Kältemittel in Flaschen sicher, dass nur geeignete Kühlmittelrückführungsflaschen verwendet werden. Stellen Sie sicher, dass die entsprechende Anzahl an Flaschen zur Speicherung der gesamten Systemlast verfügbar ist. Alle zu verwendenden Flaschen sind für das rückgewonnene Kühlmittel spezifiziert und für dieses Kühlmittel gekennzeichnet (dh bestimmte Kühlmittelrückgewinnungsflaschen). Die Flaschen sollten mit einem Überdruckventil und zugehörigen Absperrventilen in gutem Zustand gefüllt sein.
- Leere Flaschen werden geleert und wenn möglich vor der Rückgewinnung gekühlt.
- Die Rückgewinnungsausrüstung muss in einwandfreiem Zustand sein und Anweisungen für diese Ausrüstung enthalten. Es sollte für die Rückgewinnung von brennbaren Kältemitteln geeignet sein. Zusätzlich steht ein Satz kalibrierter Skalen in einem guten Betriebsstatus zur Verfügung.
- Die flexiblen Rohre werden vollständig sein mit Sicherheitsisolierringen gegen Lecks und in gutem Zustand. Vergewissern Sie sich vor der Verwendung des Rückgewinnungsgeräts, dass es in einwandfreiem Zustand ist, dass es ordnungsgemäß gewartet wird und die zugehörigen elektrischen Komponenten dicht sind, um bei Kältemittelfreisetzung eine Entzündung zu

verhindern. Wenden Sie sich an den Hersteller, wenn Sie Zweifel haben.

- Das zurückgewonnene Kältemittel sollte in der richtigen Rückgewinnungsflasche zum Kältemittellieferanten zurückgegeben werden und darauf achten, dass das entsprechende Dokument vorliegt (Abfallübergabeschein). Mischen Sie keine unterschiedlichen Kältemittel in Rückgewinnungsgeräten, insbesondere in Flaschen.
- Wenn Kompressoren oder Kompressorenöle entfernt werden sollen, stellen Sie sicher, dass sie in einem akzeptablen Maße entleert sind, um sicherzustellen, dass kein brennbares Kältemittel im Schmiermittel verbleibt. Der Entleerungsprozess sollte stattfinden, bevor der Kompressor an die Lieferanten zurückgegeben wird. Um diesen Vorgang zu beschleunigen, kann nur die elektrische Heizung im Kompressorgehäuse verwendet werden. Beim Ablassen von Öl aus einem System sollte dies auf sichere Weise erfolgen.

20. Transport, Kennzeichnung und Lagerung von Einheiten

1. Transport von Geräten, die brennbare Kältemittel enthalten
Einhaltung der Transportvorschriften
2. Kennzeichnung von Geräten mit Schildern
Einhaltung der örtlichen Vorschriften
3. Entsorgung von Geräten mit brennbaren Kältemitteln
Einhaltung der nationalen Vorschriften
4. Lagerung von Ausrüstung / Geräten
Die Lagerung des Geräts muss den Anweisungen des Herstellers entsprechen.
5. Lagerung von verpackten Geräten (noch nicht verkauft)
Das Schutzgehäuse für die Lagerung sollte so konstruiert sein, dass die Kältemittelfüllung nicht durch mechanische Beschädigung der Ausrüstung in der Verpackung austreten kann. Die maximale Anzahl von Geräten, die in demselben Satz gespeichert werden können, ist durch die örtlichen Bestimmungen festgelegt.

Die Abbildungen in diesem Handbuch dienen lediglich zur Erläuterung der Funktionen. Die tatsächliche Form der Einheit, die Sie gekauft haben, kann etwas abweichen, aber die Bedienung und Funktionen sind gleich.

Das Unternehmen übernimmt keinerlei Haftung für eventuell in diesem Dokument enthaltene falsch gedruckte Informationen. Der Inhalt dieses Handbuchs und die technischen Daten dieses Produkts können für Verbesserungsgründe ohne Vorankündigung geändert werden.

Bitte wenden Sie sich an den Hersteller unter +30 211 300 3300 oder an die Verkaufagentur, um weitere Informationen zu erhalten. Alle zukünftigen Aktualisierungen des Handbuchs werden auf die Service-Website hochgeladen. Es wird empfohlen, immer nach der neuesten Version zu suchen.



Scannen Sie bitte hier, um die neueste Version dieses Handbuchs herunterladen zu können.
www.inventorklimaanlagen.de/media-library



AIR CONDITIONING SYSTEMS

CASSETTE TYPE



V: 1.0 062021

Please check the applicable models, F-GAS and manufacturer information from the "Owner's Manual - Product Fiche" in the packaging of the outdoor unit. (European Union products only).

Manufacturer: **INVENTOR A.G. S.A.**

24th km National Road Athens - Lamia & 2 Thoukididou Str., Ag.Stefanos, 14565

Tel.: +30 211 300 3300, Fax: +30 211 300 3333 - www.inventor.ac

