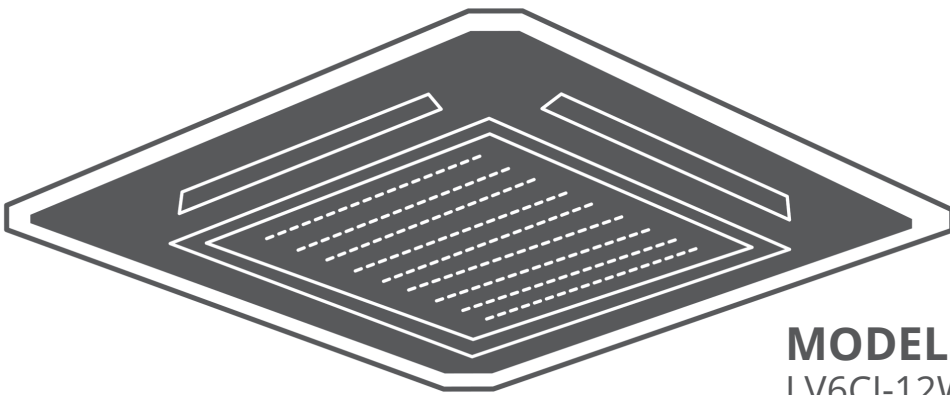




# AIR CONDITIONING SYSTEMS

## CASSETTE TYPE

- **USER'S MANUAL**
- **ΕΓΧΕΙΡΙΔΙΟ ΧΡΗΣΗΣ**
- **MANUAL UTILIZATORULUI**
- **BENUTZERHANDBUCH**



**MODELS:**  
LV6CI-12WiFiR  
LV6CI-18WiFiR



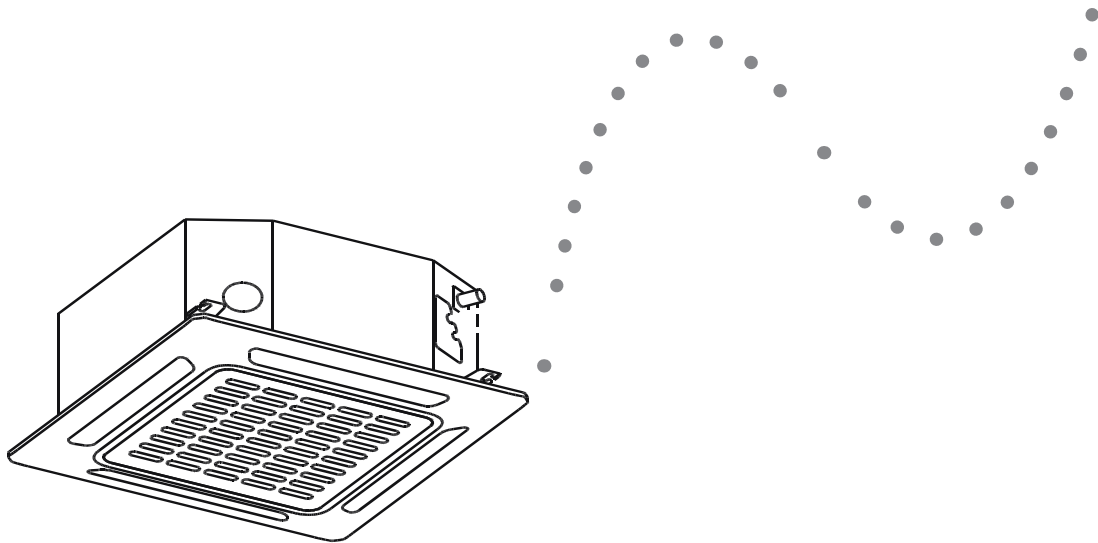
# Table of Contents

Owner's Manual

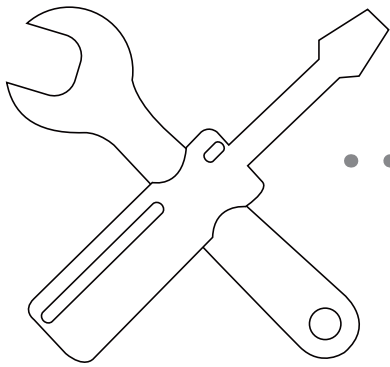
**1** Safety Precautions .....05



**2** Indoor Unit Parts and Major Functions ..... 08



**3** Manual Operations..... 10

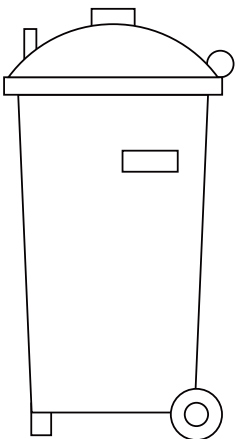
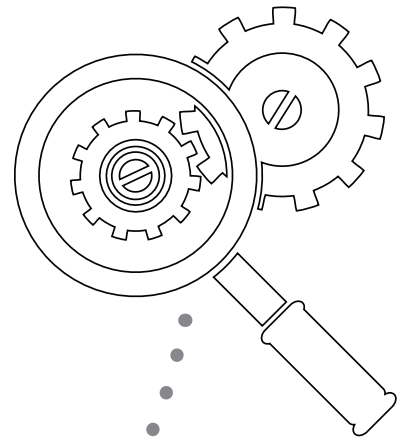


#### 4 Care and Maintenance ..... 11

Unit Maintenance .....	11
How to Clean the Air Filter .....	11
Repairing Refrigerant Leaks .....	12
Preparation for Periods of Non-use .....	12

#### 5 Troubleshooting ..... 13

Common Problems .....	13
Troubleshooting Tips .....	15



#### 6 European Disposal Guidelines ..... 17



**Caution: Risk of fire/  
flammable materials**



# Safety Precautions

# 1

Thank you for purchasing this air conditioner. This manual will provide you with information on how to operate, maintain, and troubleshoot your air conditioner. Following the instructions will ensure the proper function and extended lifespan of your unit.

## Read Safety Precautions Before Installation

**Incorrect installation due to ignoring instructions can cause serious damage or injury.**

The seriousness of potential damage or injuries is classified as either a **WARNING** or **CAUTION**.



Failure to observe a warning may result in death. The appliance must be installed in accordance with national regulations.



Failure to observe a caution may result in injury or equipment damage.



**This symbol indicates that you must never perform the action indicated.**

### **WARNING**

1. Ask an authorized dealer to install this air conditioner. Inappropriate installation may cause water leakage, electric shock, or fire.
2. The warranty will be voided if the unit is not installed by professionals.
3. If abnormal situation arises (like burning smell), turn off the power supply and call your dealer for instructions to avoid electric shock, fire or injury.
4. DO NOT let the indoor unit or the remote control get wet. It may cause electric shock or fire.
5. DO NOT insert fingers, rods or other objects into the air inlet or outlet. This may cause injury, since the fan may be rotating at high speeds.
6. DO NOT use a flammable spray such as hair spray, lacquer or paint near the unit. This may cause fire or combustion.
7. The appliance shall be stored so as to prevent mechanical damage from occurring.
8. Compliance with national gas regulations shall be observed.
9. Keep ventilation openings clear of obstruction.
10. Any person who is involved with working on or breaking into a refrigerant circuit should hold a current valid certificate from an industry-accredited assessment authority, which authorises their competence to handle refrigerants safely in accordance with an industry recognised assessment specification.
11. Servicing shall only be performed as recommended by the equipment manufacturer. Maintenance and repair requiring the assistance of other skilled personnel shall be carried out under the supervision of the person competent in the use of flammable refrigerants.
12. This appliance is not intended for use by persons (including children) with reduced physical, sensory or mental capabilities or lack of experience and knowledge, unless they have been given supervision or instruction concerning use of the appliance by a person responsible for their safety. Children should be supervised

to ensure that they do not play with the appliance (IEC Standard requirements).

13. This appliance can be used by children aged from 8 years and above and persons with reduced physical, sensory or mental capabilities or lack of experience and knowledge if they have been given supervision or instruction concerning use of the appliance in a safe way and understand the hazards involved. Children shall not play with the appliance. Cleaning and user maintenance shall not be made by children without supervision (EN Standard requirements).
14. If the supply cord is damaged, it must be replaced by the manufacturer, its service agent or similarly qualified persons in order to avoid a hazard.
15. The appliance shall be installed in accordance with national wiring regulations.
16. An all-pole disconnection device which has at least 3mm clearances in all poles, and have a leakage current that may exceed 10mA, the residual current device (RCD) having a rated residual operating current not exceeding 30mA, and disconnection must be incorporated in the fixed wiring in accordance with the wiring rules.
17. DO NOT expose your body directly to cool air for a prolonged period of time.
18. DO NOT operate the air conditioner in places near or around combustible gases. Emitted gas may collect around the unit and cause explosion.
19. In certain functional environments, such as kitchens, server rooms, etc., the use of specially designed air-conditioning units is highly recommended.

## CAUTION

1. **DO NOT** touch the air outlet while the swing flap is in motion. Fingers might get caught or the unit may break down.
2. **DO NOT** inspect the unit by yourself. Ask an authorized dealer to perform the inspection.
3. To prevent product deterioration, do not use the air conditioner for preservation purposes (storage of food, plants, animals, works of art, etc.).
4. **DO NOT** touch the evaporator coils inside the indoor unit. The evaporator coils are sharp and may cause injury.
5. **DO NOT** operate the air conditioner with wet hands. It may cause electric shock.
6. **DO NOT** place items that might be affected by moisture damage under the indoor unit. Condensation can occur at a relative humidity of 80%.
7. **DO NOT** expose heat-producing appliances to cold air or place them under the indoor unit. This may cause incomplete combustion or deformation of the unit due to the heat.
8. After long periods of usage, check the indoor unit to see if anything is damaged. If the indoor unit is damaged, it may fall and cause injury.
9. If the air conditioner is used together with other heating devices, thoroughly ventilate the room to avoid oxygen deficiency.
10. **DO NOT** climb onto or place objects on top of the outdoor unit.
11. **DO NOT** operate the air conditioner when using fumigant insecticides. The chemicals may become layered with the unit and endanger those who are hypersensitive to chemicals.
12. **DO NOT** let children play with the air conditioner.



## CAUTION

13. **DO NOT** operate the air conditioner in a wet room (e.g. bathroom or laundry room). This can cause electrical shock and cause the product to deteriorate.
14. Turn off the air conditioner and disconnect the power if you are not going to use it for a long time.
15. Turn off and unplug the unit during storms.
16. **DO NOT** climb onto or place objects on top of the outdoor unit.
17. **DO NOT** allow the air conditioner to operate for long periods of time with doors or windows open, or if the humidity is very high.



## CLEANING AND MAINTENANCE WARNINGS

1. Turn off the device and pull the plug before cleaning. Failure to do so can cause electrical shock.
2. Do not clean the air conditioner with excessive amounts of water.
3. Do not clean the air conditioner with combustible cleaning agents. Combustible cleaning agents can cause fire or deformation. Turn off the device and pull the plug before cleaning. Failure to do so can cause electrical shock.



## ELECTRICAL WARNINGS

1. Only use the specified power cord. If the power cord is damaged, it must be replaced by the manufacturer or certified service agent.
2. Keep power plug clean. Remove any dust or grime that accumulates on or around the plug. Dirty plugs can cause fire or electric shock.
3. Do not pull power cord to unplug unit. Hold the plug firmly and pull it from the outlet. Pulling directly on the cord can damage it, which can lead to fire or electric shock.
4. Do not use an extension cord, manually extend the power cord, or connect other appliances to the same outlet as the air conditioner. Poor electrical connections, poor insulation, and insufficient voltage can cause fire.

**NOTE:** For the product air-to-air air conditioners and heat pumps which above 12 kW cooling power output, please see the technical information from Appendix .(European Union products only)

# Indoor Unit Parts And Major Functions

# 2

## Unit Parts

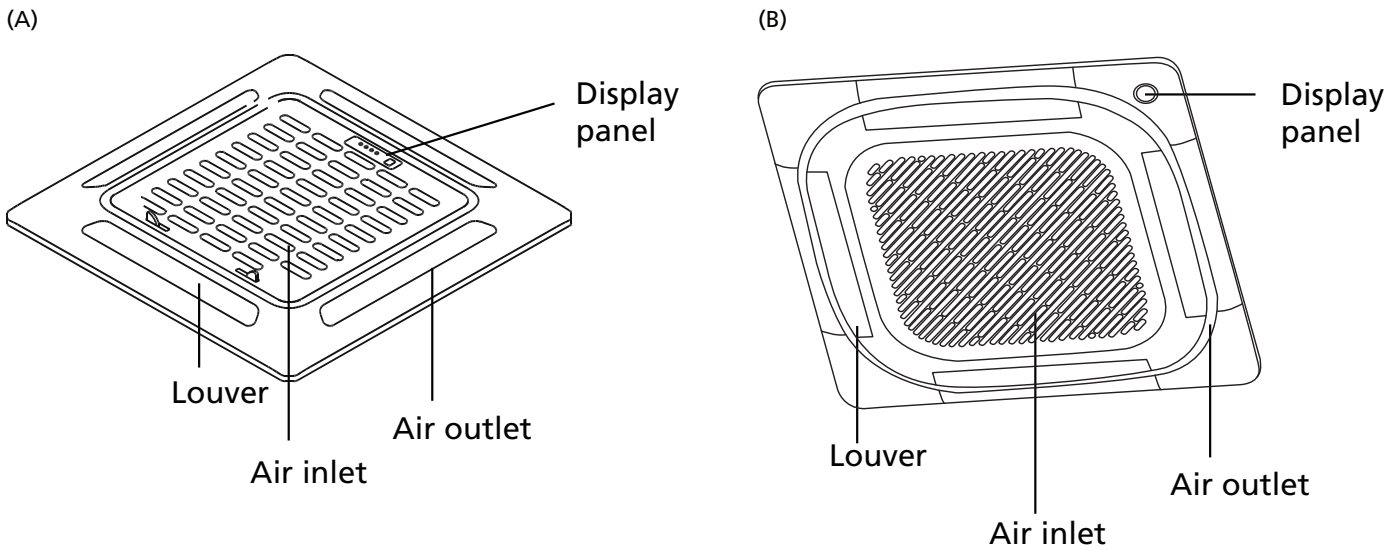


Fig. 2.1

## Operating Conditions

Use the system under the following temperatures for safe and effective operation. If the air conditioner is used under different conditions, it may malfunction or become less efficient.

### • Inverter Split Type

	COOL mode	HEAT mode	DRY mode
Room Temperature	16°C - 32°C (60°F - 90°F)	0°C - 30°C (32°F - 86°F)	10°C - 32°C (50°F - 90°F)
Outdoor Temperature	-15°C - 50°C (5°F - 122°F) (For models with low temp. cooling systems.)	-15°C - 24°C (5°F - 75°F)	0°C - 50°C (32°F - 122°F)

**FOR OUTDOOR UNITS WITH AUXILIARY ELECTRIC HEATER**  
When outside temperature is below 0°C(32°F), we strongly recommend keeping the unit plugged in at all time to ensure smooth ongoing performance.



## Features

### Default Setting

When the air conditioner restarts after a power failure, it will default to the factory settings (AUTO mode, AUTO fan, 24°C (76°F)). This may cause inconsistencies on the remote control and unit panel. Use your remote control to update the status.

### Auto-Restart

In case of power failure, the system will immediately stop. When power returns, the Operation light on the indoor unit will flash. To restart the unit, press the **ON/OFF** button on the remote control. If the system has an auto restart function, the unit will restart using the same settings.

### Three-minute protection

A protection feature prevents the air conditioner from being activated for approximately 3 minutes when it restarts immediately after operation.

### Louver Angle Memory Function

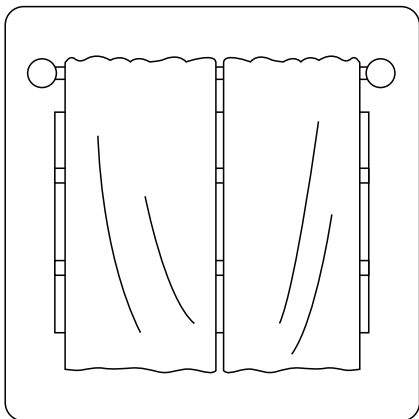
Some models are designed with a louver angle memory function. When the unit restarts after a power failure, the angle of the horizontal louvers will automatically return to the previous position. The angle of the horizontal louver should not be set too small as condensation may form and drip into the machine. To reset the louver, press the manual button, which will reset the horizontal louver settings.

### Refrigerant Leak Detection System

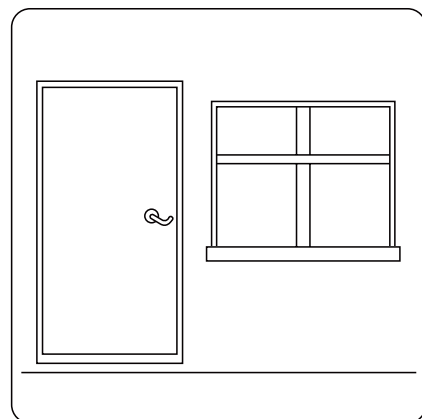
In the event of a refrigerant leak, the LCD screen will display "EC" and the LED indicator light will flash.

## Energy Saving Tips

- **DO NOT** set the unit to excessive temperature levels.
- While cooling, close the curtains to avoid direct sunlight.
- Doors and windows should be kept closed to keep cool or warm air in the room.
- **DO NOT** place objects near the air inlet and outlet of the unit. This will reduce the efficiency of the unit.
- Set a timer and use the built-in SLEEP/ECONOMY mode if applicable.
- If you don't plan to use the unit for a long time, remove the batteries from the remote control.
- Clean the air filter every two weeks. A dirty filter can reduce cooling or heating efficiency.
- Adjust louvers properly and avoid direct airflow.



**Closing curtains during heating also helps keep the heat in**



**Doors and windows should be kept closed**

This display panel on the indoor unit can be used to operate the unit in case the remote control has been misplaced or is out of batteries.

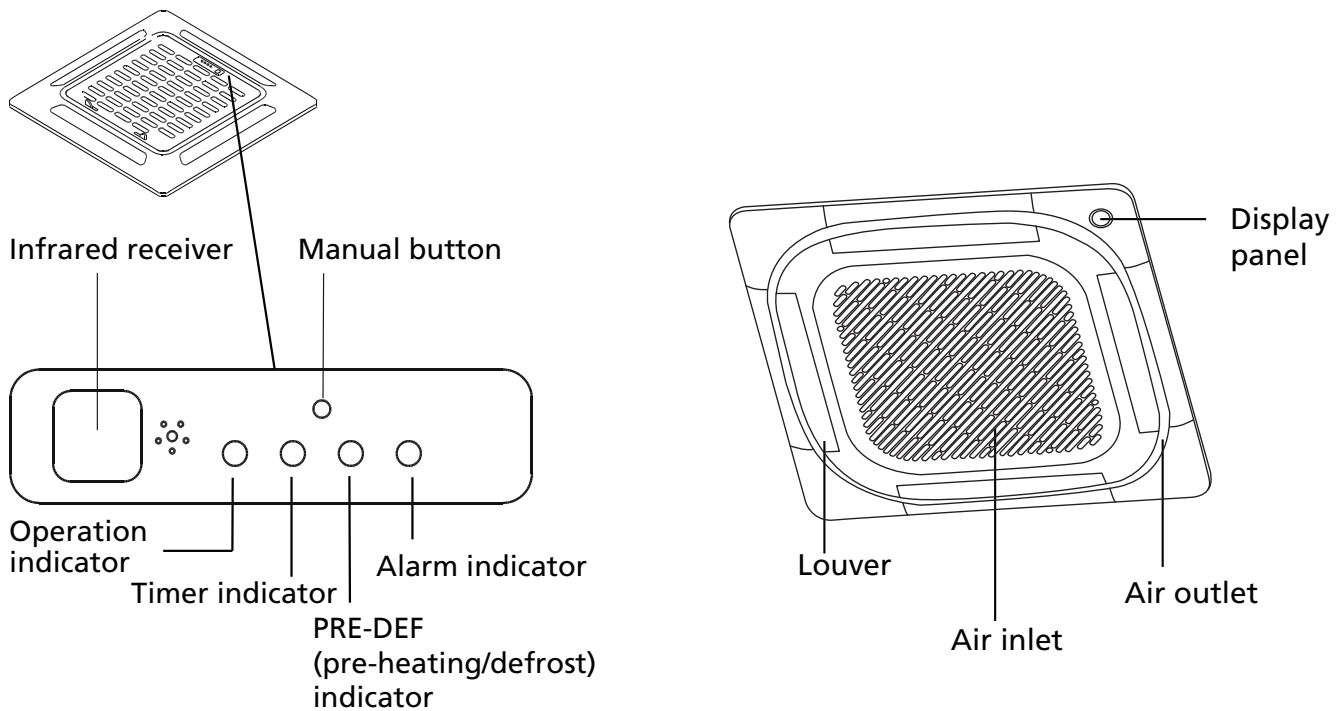


Fig. 3.1

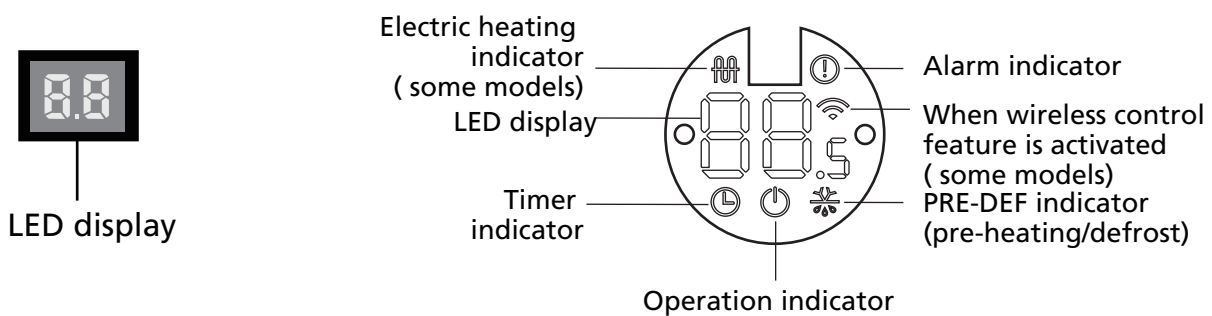


Fig. 3.2

- **MANUAL button:** This button selects the mode in the following order: AUTO, FORCED COOL, OFF.
- **FORCED COOL mode:** In FORCED COOL mode, the Operation light flashes. The system will then turn to AUTO after it has cooled with a high wind speed for 30 minutes. The remote control will be disabled during this operation.
- **OFF mode:** When the panel is turned OFF, the unit turns off and the remote control is re-enabled.

# Care And Maintenance

# 4

## Safety Precautions

- Contact an authorized service technician for repair or maintenance. Improper repair and maintenance may cause water leakage, electrical shock, or fire, and may void your warranty.
- **DO NOT** substitute a blown fuse with a higher or lower amperage rating fuse, as this may cause circuit damage or an electrical fire.
- Make sure the drain hose is set up according to the instructions. Failure to do so could cause leakage and result in personal property damage, fire and electric shock.
- Make sure that all wires are connected properly. Failure to connect wires according to instructions can result in electrical shock or fire.

## Unit Maintenance

### BEFORE CLEANING OR MAINTENANCE

- Always turn off your air conditioning system and disconnect the power supply before cleaning or maintenance.
- **DO NOT** use chemicals or chemically treated cloths to clean the unit.
- **DO NOT** use benzene, paint thinner, polishing powder or other solvents to clean the unit. They can cause the plastic surface to crack or deform.
- **DO NOT** wash the unit under running water. Doing so creates an electrical hazard.
- **DO NOT** use water hotter than 40°C (104°F) to clean the front panel. This can cause the panel to become deformed or discolored.
- Clean the unit using a damp, lint-free cloth and neutral detergent. Dry the unit with a dry, lint-free cloth.

## How To Clean The Air Filter

The filter prevents dust and other particles from entering the indoor unit. Dust buildup can reduce the efficiency of the air conditioner. For optimum efficiency, clean the air filter every two weeks or more frequently if you live in a dusty area. Replace the filter with a new one if it's heavily clogged and cannot be cleaned.

### **WARNING: DO NOT REMOVE OR CLEAN THE FILTER BY YOURSELF**

Removing and cleaning the filter can be dangerous. Removal and maintenance must be performed by a certified technician.

**NOTE:** In households with animals, you will have to periodically wipe down the grille to prevent animal hair blocking airflow.

1. Unlock the grille by pushing the two tabs towards the middle simultaneously.
2. Unplug the display panel cable from the control box on the main body.

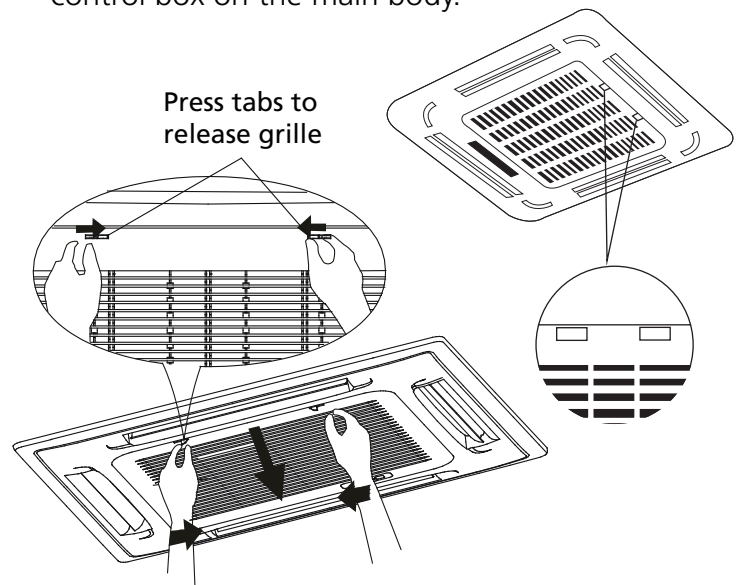


Fig. 4.1

3. Detach the grille from the main unit by holding the grille at a 45° angle, lifting it up slightly and then pulling the grille forward.

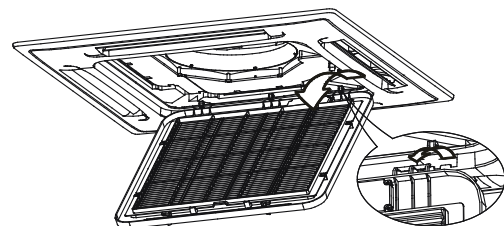
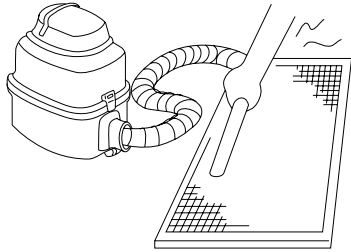


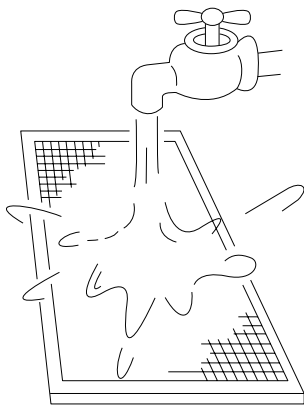
Fig. 4.2

4. Remove the air filter.
5. Clean the air filter by vacuuming the surface or washing it in warm water with mild detergent.
  - A. If using a vacuum cleaner, the inlet side should face the vacuum.



**Fig. 4.3**

- B. If using water, the inlet side should face down and away from the water stream.



**Fig. 4.4**

6. Rinse the filter with clean water and allow it to air-dry. **DO NOT** let the filter dry in direct sunlight.
7. Reinstall the filter.
8. Reinstall the front grille and reconnect the display panel cable to the control box on the main body.

## Repairing Refrigerant Leaks

### **WARNING**

- If the refrigerant leaks, turn off the air conditioner and any combustible heating devices, ventilate the room and call your dealer immediately. Refrigerant is both toxic and flammable. **DO NOT** use the air conditioner until the leak is repaired.
- When the air conditioner is installed in a small room, measures must be taken to prevent the refrigerant concentration from exceeding the safety limit in the event of refrigerant leakage. Concentrated refrigerant causes a severe health and safety threat.

### Refrigerant Leak Detection System (some models)

- In the event of a refrigerant leak, the LCD screen will display "EC" and the LED indicator light will flash.

## Preparation For Periods Of Non-Use

### Maintenance after Extended Non-Use

1. Remove any obstacles blocking the vents of both the indoor and outdoor units.
2. Clean the air filter and the front grille of the indoor unit. Reinstall the clean, dry air filter in its original position.
3. Turn on the main power switch at least 12 hours prior to operating the unit.

### Storing the Unit While Not In Use

1. Run the appliance on FAN mode for 12 hours in a warm room to dry it and prevent mold.
2. Turn off the appliance and unplug it.
3. Clean the air filter according to the instructions in the previous section. Reinstall the clean, dry filter before storing.
4. Remove the batteries from the remote control.

## CAUTIONS

If one of the following conditions occurs, switch off the power supply immediately and contact your dealer for further assistance.

- The operation light continues to flash rapidly after the unit has been restarted.
- The remote control buttons do not work.
- The unit continually trips fuses or circuit breakers.
- A foreign object or water enters the air conditioner.
- Other abnormal situations.

## Common Problems

The following symptoms are not a malfunction and in most situations will not require repairs.

Problem	Possible Causes
<b>Unit does not turn on when pressing ON/OFF button</b>	The unit has a 3-minute protection feature that prevents the unit from overloading. The unit cannot be restarted within three minutes of being turned off.
	Cooling and Heating Models: If the Operation light and PRE-DEF (Pre-heating/Defrost) indicators are lit up, the outdoor temperature is too cold and the unit's anti-cold wind is activated in order to defrost the unit.
	In Cooling-only Models: If the "Fan Only" indicator is lit up, the outdoor temperature is too cold and the unit's anti-freeze protection is activated in order to defrost the unit.
<b>The unit changes from COOL mode to FAN mode</b>	The unit changes its setting to prevent frost from forming on the unit. Once the temperature increases, the unit will start operating again.
	The set temperature has been reached, at which point the unit turns off the compressor. The unit will resume operating when the temperature fluctuates again.
<b>The indoor unit emits white mist</b>	In humid regions, a large temperature difference between the room's air and the conditioned air can cause white mist.

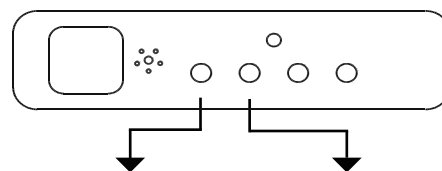
Problem	Possible Causes
<b>Both the indoor and outdoor units emit white mist</b>	When the unit restarts in HEAT mode after defrosting, white mist may be emitted due to moisture generated from the defrosting process.
<b>The indoor unit makes noises</b>	A squeaking sound is heard when the system is OFF or in COOL mode. The noise is also heard when the drain pump (optional) is in operation.
	A squeaking sound may occur after running the unit in HEAT mode due to expansion and contraction of the unit's plastic parts.
<b>Both the indoor unit and outdoor unit make noises</b>	A low hissing sound may occur during operation. This is normal and is caused by refrigerant gas flowing through both the indoor and outdoor units.
	A low hissing sound may be heard when the system starts, has just stopped running or is defrosting. This noise is normal and is caused by the refrigerant gas stopping or changing direction.
<b>The outdoor unit makes noises</b>	The unit will make different sounds based on its current operating mode.
<b>Dust is emitted from either the indoor or outdoor unit</b>	The unit may accumulate dust during extended periods of non-use, which will be emitted when the unit is turned on. This can be mitigated by covering the unit during long periods of inactivity.
<b>The unit emits a bad odor</b>	The unit may absorb odors from the environment (such as furniture, cooking, cigarettes, etc.) which will be emitted during operations.
	The unit's filters have become moldy and should be cleaned.
<b>The fan of the outdoor unit does not operate</b>	During operation, the fan speed is controlled to optimize product operation.

## Troubleshooting Tips

When troubles occur, please check the following points before contacting a repair company.

Problem	Possible Causes	Solution
<b>The unit is not working</b>	Power failure	Wait for the power to be restored
	The power switch is off	Turn on the power
	The fuse is burned out	Replace the fuse
	Remote control batteries are dead	Replace the remote control batteries
	The unit's 3-minute protection has been activated	Wait three minutes after restarting the unit
<b>Poor cooling performance</b>	Temperature setting may be higher than the ambient room temperature	Lower the temperature setting
	The heat exchanger on the indoor or outdoor unit is dirty	Clean the affected heat exchanger
	The air filter is dirty	Remove the filter and clean it according to instructions
	The air inlet or outlet of either unit is blocked	Turn the unit off, remove the obstruction and turn it back on
	Doors and windows are open	Make sure that all doors and windows are closed while operating the unit
	Excessive heat is generated by sunlight	Close windows and curtains during periods of high heat or bright sunshine
	Low refrigerant due to leak or long-term use	Check for leaks, re-seal if necessary and top off refrigerant
<b>The unit starts and stops frequently</b>	There's too much or too little refrigerant in the system	Check for leaks and recharge the system with refrigerant
	There is air, incompressible gas or foreign material in the refrigeration system.	Evacuate and recharge the system with refrigerant
	System circuit is blocked	Determine which circuit is blocked and replace the malfunctioning piece of equipment
	The compressor is broken	Replace the compressor
	The voltage is too high or too low	Install a manostat to regulate the voltage
<b>Poor heating performance</b>	The outdoor temperature is lower than 7°C (44.5°F)	Check for leaks and recharge the system with refrigerant
	Cold air is entering through doors and windows	Make sure that all doors and windows are closed during use
	Low refrigerant due to leak or long-term use	Check for leaks, re-seal if necessary and top off refrigerant

## • Inverter Split Type



Number	Cause	Operation indicator flashes	Timer indicator	Error Code
1	Indoor EEPROM (Electrically Erasable Programmable Read-Only Memory) error	1	Off	<b>EH 00/ EH 0A</b>
2	Indoor and outdoor unit communication malfunction	2	Off	<b>EL 01</b>
3	Indoor fan speed malfunction	4	Off	<b>EH 03</b>
4	Indoor room temperature sensor error	5	Off	<b>EH 60</b>
5	Evaporator coil temperature sensor error	6	Off	<b>EH 61 / EC 56</b>
6	Refrigerant leak detection system malfunction	7	Off	<b>EL 0C</b>
7	Water level alarm malfunction	8	Off	<b>EH 0E</b>
8	Dual indoor unit (twin model only) communication malfunction	9	Off	<b>EH 0b</b>
9	Overload protection	1	On	<b>F0</b>
10	Outdoor temperature sensor error	2	On	<b>EC 53</b>
11	Outdoor condenser pipe sensor error	3	On	<b>EC 52</b>
12	Discharge air temperature sensor error	4	On	<b>EC 54</b>
13	Outdoor EEPROM (Electrically Erasable Programmable Read-Only Memory) error	5	On	<b>EC 51</b>
14	Outdoor fan speed (DC fan motor only) malfunction	6	On	<b>EC 07</b>
15	Inverter module IPM protection	1	Flash	<b>PC 00</b>
16	High/Low voltage protection	2	Flash	<b>PC 01</b>
17	Compressor top overheating protection	3	Flash	<b>PC 02</b>
18	Compressor drive error	5	Flash	<b>PC 04</b>
19	Mode conflict	6	Flash	<b>--</b>
20	Compressor low-pressure protection	7	Flash	<b>PC 03</b>
21	Outdoor IGBT sensor error	8	Flash	<b>EC 0d</b>



Users in European Countries may be required to properly dispose of this unit. This appliance contains refrigerant and other potentially hazardous materials. When disposing of this appliance, the law requires special collection and treatment. **DO NOT** dispose of this product as household waste or unsorted municipal waste.

When disposing of this appliance, you have the following options:

- Dispose of the appliance at designated municipal electronic waste collection facility.
- When buying a new appliance, the retailer will take back the old appliance free of charge.
- The manufacturer will also take back the old appliance free of charge.
- Sell the appliance to certified scrap metal dealers.

**NOTE:** Disposing of this appliance in the forest or other natural surroundings endangers your health and is bad for the environment. Hazardous substances may leak into the ground water and enter the food chain.



---

All the pictures in the manual are for explanatory purposes only. The actual shape of the unit you purchased may be slightly different, but the operations and functions are the same. The company may not be held responsible for any misprinted information. The design and the specifications of the product for reasons, such as product improvement, are subject to change without any prior notice. Please consult with the manufacturer at +30 211 300 3300 or with the Local Distributor for further details.



Scan here to download the latest version of this manual.  
[www.inventorairconditioner.com/media-library](http://www.inventorairconditioner.com/media-library)

# Activate your Warranty

Follow the next quick steps to activate your warranty:

## STEP 1

Visit our website via the link:

<https://www.inventorairconditioner.com/warranty-inventor>

or by scanning the QR code, as follows:



## STEP 2

Fill in the obligatory fields as requested in the "Owner's details" and "Unit's details":

To activate the warranty card, please fill in the following fields

Owner's details	Unit's details
Full Name	Unit
Address*	Serial Number of the unit*

## STEP 3

Click SEND button at the end of the submission form:

Subscribe to Inventor's Newsletter on the current page

I accept the terms and conditions.

once the warranty submission has been completed a confirmation message will be sent to your email

## STEP 4

Wait for the confirmation email you will receive at the email address you have filled in - please also check your spam folder.

## STEP 5

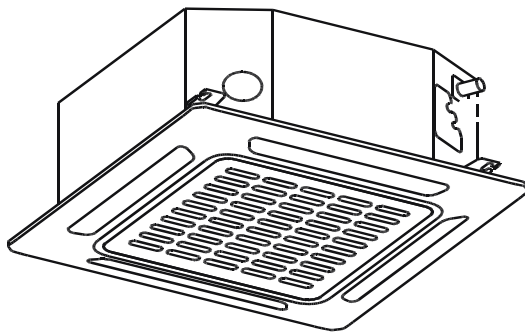
Inventor warranty is now valid!

# Πίνακας Περιεχομένων

## Εγχειρίδιο Χρήσης

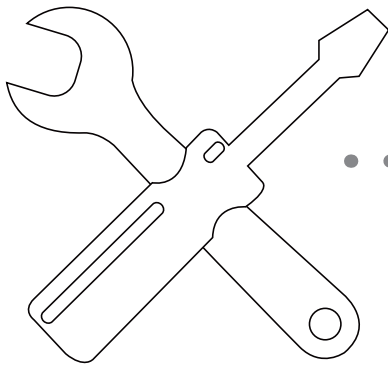
1 Οδηγίες ασφαλείας.....05

2 Εξαρτήματα και και κύριες λειτουργίες  
εσωτερικής μονάδας .....08

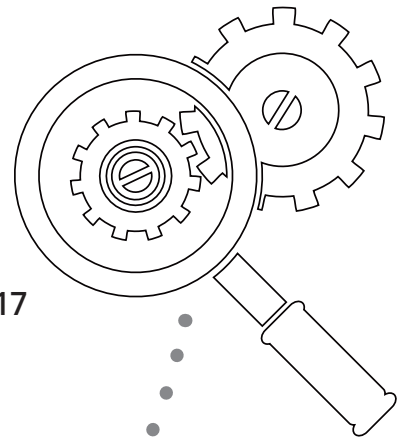


3 Χειροκίνητες λειτουργίες..... 10

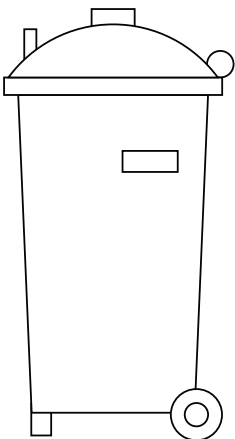
<b>4</b>	Φροντίδα και συντήρηση .....	11
	Συντήρηση της μονάδας .....	11
	Καθαρισμός του φίλτρου αέρα .....	11
	Επιδιόρθωση διαρροής ψυκτικού υγρού.....	12
	Προετοιμασία για περιόδους μη-χρήσης.....	12



<b>5</b>	Επίλυση προβλημάτων.....	13
	Συνήθη προβλήματα .....	13
	Συμβουλές για την επίλυση προβλημάτων .....	15



<b>6</b>	Οδηγίες απόρριψης εντός Ευρωπαϊκής Ένωσης .....	17
----------	---	----



**Προσοχή: Κίνδυνος πυρκαγιάς/ Εύφλεκτα υλικά**

**ΠΡΟΕΙΔΟΠΟΙΗΣΗ** Το σέρβις θα πρέπει να εκτελείται μόνο με τον τρόπο που συνιστάται από τον κατασκευαστή. Οι εργασίες συντήρησης και επισκευής για τις οποίες απαιτείται εξειδικευμένο προσωπικό θα πρέπει να εκτελούνται υπό την επίβλεψη του ατόμου που είναι αρμόδιο για τη χρήση εύφλεκτων ψυκτικών μέσων. Για περισσότερα στοιχεία, ανατρέξτε στις πληροφορίες για το σέρβις στο ΕΓΧΕΙΡΙΔΙΟ ΕΓΚΑΤΑΣΤΑΣΗΣ. (Αυτό απαιτείται μόνο για τις μονάδες στις οποίες χρησιμοποιείται ψυκτικό μέσο R32/R290)



# Οδηγίες ασφαλείας

# 1

Σας ευχαριστούμε για τη προτίμηση σας στα προϊόντα Inventor. Αυτό το εγχειρίδιο χρήσης περιλαμβάνει χρήσιμες συμβουλές αναφορικά με λειτουργία, τη συντήρηση και την επίλυση προβλημάτων του κλιματιστικού σας. Ακολουθώντας τις οδηγίες, εξασφαλίζετε την σωστή λειτουργία του κλιματιστικού σας, καθώς και την επιμήκυνση της διάρκειας ζωής του.

## Διαβάστε τις οδηγίες ασφαλείας πριν την εγκατάσταση

Λανθασμένη εγκατάσταση λόγω αγνόησης των οδηγιών μπορεί να προκαλέσει σοβαρή ζημιά ή τραυματισμό. Η σοβαρότητα των πιθανών ζημιών ή τραυματισμών ταξινομείται είτε ως Προειδοποίηση ή Προσοχή.



ΠΡΟΕΙΔΟΠΟΙΗΣΗ

Η μη τήρηση των οδηγιών μπορεί να οδηγήσει σε θάνατο. Η συσκευή πρέπει να εγκαθίσταται σε συμμόρφωση με τους εθνικούς κανονισμούς.



ΠΡΟΣΟΧΗ

Η μη τήρηση των οδηγιών μπορεί να οδηγήσει σε τραυματισμό ή φθορά της μονάδας.



Το σύμβολο αυτό υποδεικνύει ότι δεν πρέπει ποτέ να εκτελέσετε την ενέργεια που υποδεικνύεται.



## ΠΡΟΕΙΔΟΠΟΙΗΣΗ

1. Επικοινωνήστε με τον εξουσιοδοτημένο αντιπρόσωπο για την εγκατάσταση του κλιματιστικού. Εσφαλμένη τοποθέτηση μπορεί να προκαλέσει διαρροή νερού, ηλεκτροπληξία ή πυρκαγιά.
2. Η εγγύηση ακυρώνεται αν το κλιματιστικό δεν τοποθετηθεί σωστά.
3. Σε περίπτωση δυσλειτουργιών (όπως για παράδειγμα μυρωδιά καμένου) απενεργοποιήστε και αποσυνδέστε από το ρεύμα και καλέστε τον αντιπρόσωπο για οδηγίες προς αποφυγή ηλεκτροπληξίας, πυρκαγιάς ή τραυματισμού.
4. **ΜΗΝ** επιτρέπετε να βραχούν η εσωτερική μονάδα και το τηλεχειριστήριο. Μπορεί να προκληθεί ηλεκτροπληξία ή πυρκαγιά.
5. **ΜΗΝ** εισάγετε τα δάχτυλά σας, ράβδους ή άλλα αντικείμενα στην είσοδο ή έξοδο του αέρα. Μπορεί να προκληθεί τραυματισμός εξαιτίας του ανεμιστήρα που περιστρέφεται με μεγάλη ταχύτητα.
6. **ΜΗΝ** χρησιμοποιείτε εύφλεκτα υλικά όπως σπρέι μαλλιών, λακ ή μπογιές κοντά στη μονάδα. Μπορεί να προκληθεί πυρκαγιά ή έκρηξη.
7. Η συσκευή θα πρέπει να αποθηκεύεται με τρόπο που δεν επιτρέπει την πρόκληση

μηχανικής βλάβης.

8. Πρέπει να συμμορφώνεστε τους εθνικούς κανονισμούς αερίου.
9. Μη φράσσετε τα ανοίγματα εξαερισμού.
10. Κάθε άτομο που εκτελεί εργασίες ή παρεμβαίνει σε κυκλώματα ψυκτικών μέσων θα πρέπει να είναι κάτοχος έγκυρου πιστοποιητικού από διαπιστευμένη αρχή αξιολόγησης, το οποίο θα εγκρίνει την επάρκεια του συγκεκριμένου ατόμου για τον ασφαλή χειρισμό ψυκτικών μέσων. Το πιστοποιητικό θα πρέπει να έχει εκδοθεί σε συμμόρφωση με κάποια προδιαγραφή αξιολόγησης που είναι αναγνωρισμένη στον κλάδο.
11. Το σέρβις θα πρέπει να εκτελείται μόνο με τον τρόπο που συνιστάται από τον κατασκευαστή του εξοπλισμού. Οι εργασίες συντήρησης και επισκευής για τις οποίες απαιτείται η συνδρομή άλλου ειδικευμένου προσωπικού θα πρέπει να εκτελούνται υπό την επίβλεψη του ατόμου που είναι αρμόδιο για τη χρήση εύφλεκτων ψυκτικών μέσων.
12. Αυτή η συσκευή δεν προορίζεται για χρήση από άτομα (συμπεριλαμβανομένων των παιδιών) με μειωμένες σωματικές, αισθητηριακές ή διανοητικές ικανότητες ή έλλειψη εμπειρίας και γνώσης, εκτός αν έχουν επιτήρηση ή οδηγίες σχετικά με τη

χρήση της συσκευής από άτομο υπεύθυνο για την ασφάλειά τους. Τα παιδιά θα πρέπει να επιβλέπονται προκειμένου να διασφαλιστεί ότι δεν παίζουν με τη συσκευή (απαιτήσεις IEC Standard).

13. Αυτή η συσκευή μπορεί να χρησιμοποιηθεί από παιδιά ηλικίας 8 ετών και άνω και από άτομα με περιορισμένες σωματικές, αισθητήριες ή διανοητικές ικανότητες ή με ελλιπή εμπειρία και γνώσεις, αν η χρήση γίνεται υπό επίβλεψη ή αν τα άτομα αυτά έχουν λάβει οδηγίες σχετικά με την ασφαλή χρήση της συσκευής και κατανοούν τους κινδύνους που ενέχονται. Τα παιδιά δεν επιτρέπεται να παίζουν με τη συσκευή. Ο καθαρισμός και η συντήρηση δε θα πρέπει να εκτελούνται από παιδιά χωρίς επίβλεψη. (απαιτήσεις EN Standard).
14. Αν το καλώδιο παροχής ρεύματος υποστεί ζημιά, πρέπει να αντικατασταθεί από τον κατασκευαστή, τον αντιπρόσωπο σέρβις ή από άλλο άτομο με παρόμοιες πιστοποιήσεις, ώστε να αποφεύγεται ο κίνδυνος.
15. Η συσκευή πρέπει να εγκατασταθεί σύμφωνα με τους εθνικούς κανονισμούς για τις ηλεκτρολογικές εγκαταστάσεις.
16. Μια συσκευή αποσύνδεσης η οποία έχει τουλάχιστον 3m σε όλους τους πόλους, έχουν ένα αγωγό αποστράγγισης που μπορεί να υπερβαίνει τα 10mA, η τρέχουσα συσκευή (RCD) που σε κατανάλωση δεν υπερβαίνει τα 30mA, και η αποσύνδεση που πρέπει να ενσωματωθεί στη σταθερή καλωδίωση σύμφωνα με τους κανόνες καλωδίωσης.
17. **MHN** εκθέτετε το σώμα σας απευθείας στο ψυχρό αέρα για μεγάλα χρονικά διαστήματα.
18. **MHN** λειτουργείτε το κλιματιστικό σε περιοχές κοντά ή γύρω από αποβαλλόμενα αέρια. Αποβαλλόμενα αέρια μπορεί να συγκεντρωθούν γύρω από τη μονάδα και να προκαλέσουν έκρηξη.
19. Σε ορισμένα λειτουργικά περιβάλλοντα, όπως κουζίνες, χώρους μηχανογραφικού εξοπλισμού, κλπ, συνιστάται η χρήση ειδικά σχεδιασμένων κλιματιστικών μονάδων.



## ΠΡΟΣΟΧΗ

1. **MHN** αγγίζετε το άνοιγμα εξαγωγής αέρα ενώ περιστρέφεται ο ανεμιστήρας. Μπορεί να παγιδευτούν τα δάχτυλά σας ή να υποστεί ζημιά η μονάδα.
2. **MHN** εκτελείτε οι ίδιοι επιθεώρηση της μονάδας. Ζητήστε από έναν εξουσιοδοτημένο αντιπρόσωπο να εκτελέσει την επιθεώρηση.
3. Για να αποφύγετε τη μείωση της απόδοσης του κλιματιστικού, μη το χρησιμοποιείτε για σκοπούς συντήρησης (αποθήκευση τροφίμων, φυτών, ζώων, έργων τέχνης κ.λπ.).
4. **MHN** αγγίζετε τις σερπαντίνες του εξατμιστή μέσα στην εσωτερική μονάδα. Οι σερπαντίνες του εξατμιστή είναι αιχμηρές και μπορεί να προκαλέσουν τραυματισμούς.
5. **MHN** χειρίζεστε το κλιματιστικό με βρεγμένα χέρια. Μπορεί να προκληθεί ηλεκτροπληξία.
6. **MHN** τοποθετείτε κάτω από την εσωτερική μονάδα αντικείμενα που μπορεί να υποστούν ζημιά από την υγρασία. Υγροποίηση υδρατμών μπορεί να προκύψει με σχετική υγρασία 80%.
7. **MHN** εκθέτετε στον κρύο αέρα συσκευές που παράγουν θερμότητα και μην τις τοποθετείτε κάτω από την εσωτερική μονάδα. Μπορεί να προκληθεί ατελής καύση ή παραμόρφωση της μονάδας λόγω της θερμότητας.
8. Μετά από μεγάλες περιόδους χρήσης πρέπει να ελέγχετε την εσωτερική μονάδα για να δείτε μήπως κάποιο εξάρτημα έχει πάθει ζημιά. Αν η εσωτερική μονάδα υποστεί ζημιά, μπορεί να πέσει και να προκαλέσει τραυματισμό.
9. Αν το κλιματιστικό χρησιμοποιείται μαζί με άλλες συσκευές θέρμανσης, πρέπει να εξαερίζεται καλά ο χώρος για να μην προκύψει έλλειψη οξυγόνου.
10. **MHN** ανεβαίνετε στην εξωτερική μονάδα και μην τοποθετείτε αντικείμενα πάνω της.
11. **MH** θέτετε σε λειτουργία το κλιματιστικό όταν χρησιμοποιείτε εντομοκτόνα που παράγουν καπνό. Η μονάδα μπορεί να σχηματίσει στρώμα χημικών ουσιών και να θέσει σε κίνδυνο άτομα που είναι υπερευαίσθητα σε αυτές τις χημικές ουσίες.
12. **MHN** αφήνετε τα παιδιά να παίζουν με το κλιματιστικό.



## ΠΡΟΣΟΧΗ

13. **ΜΗΝ** χρησιμοποιείτε το κλιματιστικό σε χώρους με υγρασία (π.χ. σε λουτρό ή πλυσταριά). Μπορεί να προκληθεί ηλεκτροπληξία και μείωση της απόδοσης του προϊόντος.
14. Απενεργοποιήστε και αποσυνδέστε τη μονάδα, αν δεν πρόκειται να το χρησιμοποιήσετε για μεγάλο χρονικό διάστημα.
15. Απενεργοποιήστε και αποσυνδέστε τη μονάδα κατά τη διάρκεια καταιγίδων.
16. **ΜΗΝ** ανεβαίνετε και μην τοποθετείτε αντικείμενα πάνω στην εξωτερική μονάδα.
17. **ΜΗΝ** αφήνετε το κλιματιστικό να λειτουργήσει για μεγάλο χρονικό διάστημα με τις πόρτες ή τα παράθυρα ανοιχτά, ή σε περίπτωση που η υγρασία είναι πολύ υψηλή.

## ΠΡΟΕΙΔΟΠΟΙΗΣΕΙΣ ΚΑΘΑΡΙΣΜΟΥ ΚΑΙ ΣΥΝΤΗΡΗΣΗΣ

1. Απενεργοποιήστε τη συσκευή και τραβήξτε το βύσμα πριν από τον καθαρισμό. Σε αντίθετη περίπτωση, μπορεί να προκληθεί ηλεκτροπληξία.
2. Μην καθαρίζετε το κλιματιστικό με υπερβολικές ποσότητες νερού.
3. Μην καθαρίζετε το κλιματιστικό με εύφλεκτα καθαριστικά. Εύφλεκτα καθαριστικά μπορεί να προκαλέσουν φωτιά ή παραμόρφωση της μονάδας. Απενεργοποιήστε τη συσκευή και τραβήξτε το βύσμα πριν από τον καθαρισμό. Σε αντίθετη περίπτωση, μπορεί να προκληθεί ηλεκτροπληξία.

## ΠΡΟΕΙΔΟΠΟΙΗΣΕΙΣ ΗΛΕΚΤΡΙΣΜΟΥ

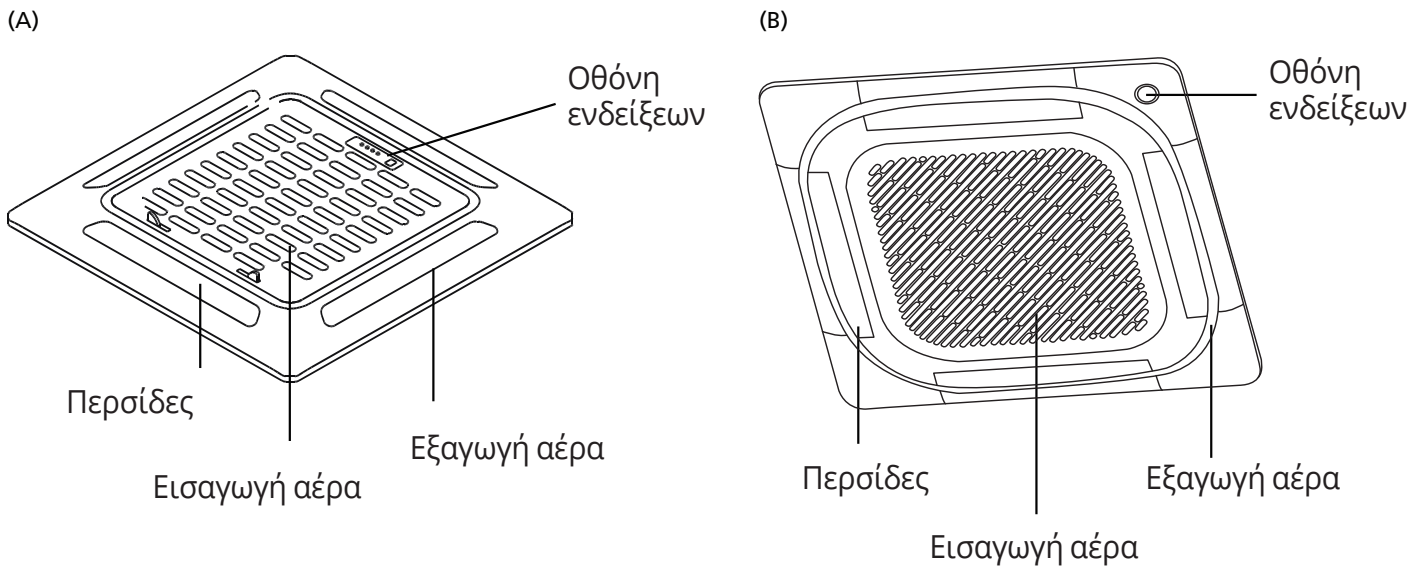
1. Χρησιμοποιείτε μόνο το καθορισμένο καλώδιο τροφοδοσίας. Εάν το καλώδιο τροφοδοσίας έχει υποστεί ζημιά, πρέπει να αντικατασταθεί από τον κατασκευαστή ή τον αντιπρόσωπο του σέρβις.
2. Κρατήστε το καλώδιο ρεύματος καθαρό. Αφαιρέστε τυχόν σκόνη ή βρωμιά που συσσωρεύεται πάνω ή γύρω από το βύσμα, διαφορετικά μπορεί να προκληθεί βραχυκύκλωμα ή ηλεκτροπληξία.
3. Μην τραβάτε το καλώδιο τροφοδοσίας για να αποσυνδέσετε τη μονάδα. Κρατήστε σταθερά το φις και τραβήξτε το από την πρίζα. Τραβώντας απευθείας το καλώδιο μπορεί να καταστραφεί, γεγονός που μπορεί να οδηγήσει σε πυρκαγιά ή ηλεκτροπληξία.
4. Μην χρησιμοποιείτε καλώδιο επέκτασης, με το χέρι να επεκτείνει το καλώδιο τροφοδοσίας ή σύνδεση άλλων συσκευών στην ίδια πρίζα με το κλιματιστικό. Κακές ηλεκτρικές συνδέσεις, κακή μόνωση ή ανεπαρκής τάση μπορεί να προκαλέσουν φωτιά.

**ΣΗΜΕΙΩΣΗ:** Για τα προϊόντα κλιματισμού και τις αντλίες θερμότητας με ισχύ ψύξης πάνω από 12 kW, δείτε τις τεχνικές πληροφορίες από το Παράρτημα. (προϊόντα Ευρωπαϊκής Ένωσης).

# Εξαρτήματα και κύριες λειτουργίες εσωτερικής μονάδας

# 2

## Εξαρτήματα της μονάδας



Εικ.2.1

## Συνθήκες Λειτουργίας

Για ασφαλή και αποτελεσματική λειτουργία, πρέπει να χρησιμοποιείτε το σύστημα υπό τις ακόλουθες θερμοκρασίες. Αν το κλιματιστικό χρησιμοποιηθεί υπό διαφορετικές συνθήκες, μπορεί να προκύψει δυσλειτουργία ή να μειωθεί η απόδοσή του.

### • Τύπος Κλιματιστικού Inverter

	Λειτουργία COOL (Ψύξη)	Λειτουργία HEAT (Θέρμανση)	Λειτουργία DRY (Αφύγραση)
Εσωτερική θερμοκρασία	16°C - 32°C (60°F - 90°F)	0°C - 30°C (32°F - 86°F)	10°C - 32°C (50°F - 90°F)
Εξωτερική θερμοκρασία	-15°C - 50°C (5°F - 122°F) <small>(μοντέλα χαμηλής θερμοκρασίας ψύξης)</small>	-15°C - 24°C (5°F - 75°F)	0°C - 50°C (32°F - 122°F)

### ΓΙΑ ΕΞΩΤΕΡΙΚΕΣ

**ΜΟΝΑΔΕΣ ΜΕ** βοηθητικό ηλεκτρικό θερμαντήρα. Όταν η εξωτερική θερμοκρασία είναι κάτω από 0 °C (32 °F), συνιστούμε να διατηρείτε τη μονάδα στην πρίζα ανά πάσα στιγμή για να εξασφαλιστεί ομαλή συνεχή απόδοση.

## Χαρακτηριστικά

### Προεπιλεγμένη εργοστασιακή ρύθμιση

Όταν το κλιματιστικό επανεκκινείται μετά από διακοπή ρεύματος, εφαρμόζονται οι προεπιλεγμένες εργοστασιακές ρυθμίσεις [αυτόματη λειτουργία (AUTO), αυτόματη λειτουργία (AUTO) της φτερωτής, 24 °C (76 °F)]. Αυτό μπορεί να προκαλέσει ασυμφωνία ενδείξεων στο τηλεχειριστήριο και στον πίνακα της μονάδας. Χρησιμοποιήστε το τηλεχειριστήριο για οποιαδήποτε περαιτέρω ρύθμιση.

### Αυτόματη επανεκκίνηση

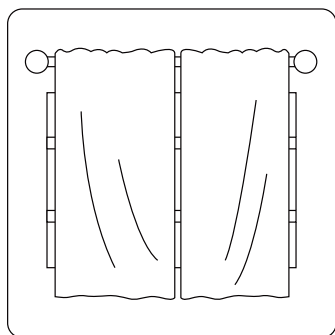
Σε περίπτωση διακοπής ρεύματος, η λειτουργία του συστήματος διακόπτεται αμέσως. Όταν το ρεύμα επανέλθει, η ενδεικτική λυχνία λειτουργίας στην εσωτερική μονάδα αρχίζει να αναβοσβήνει. Για να επανεκκινήσετε τη μονάδα, πατήστε το κουμπί ON/OFF στο τηλεχειριστήριο. Αν το σύστημα διαθέτει λειτουργία αυτόματης επανεκκίνησης, η μονάδα θα επανεκκινηθεί χρησιμοποιώντας τις ίδιες ρυθμίσεις.

### 3-λεπτη Προστασία

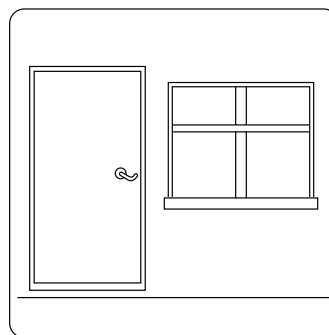
Η 3-λεπτη προστασία δεν επιτρέπει στον συμπιεστή του κλιματιστικού να λειτουργήσει για 3 λεπτά στην περίπτωση επανεκκίνησης του κλιματιστικού.

## Συμβουλές για εξοικονόμηση ενέργειας

- **MHN** ρυθμίζετε τη μονάδα σε υπερβολικές θερμοκρασίες.
- Κατά τη λειτουργία ψύξης πρέπει να κλείνετε τις κουρτίνες για να αποφεύγετε το άμεσο ηλιακό φως.
- Οι πόρτες και τα παράθυρα πρέπει να διατηρούνται κλειστά για να παραμένει μέσα στον χώρο ο ψυχρός ή θερμός αέρας.
- **MHN** τοποθετείτε αντικείμενα κοντά στα ανοίγματα εισαγωγής και εξαγωγής αέρα της μονάδας. Αυτό μειώνει την απόδοση της μονάδας.
- Ρυθμίστε έναν χρονοδιακόπτη και χρησιμοποιήστε την ενσωματωμένη λειτουργία SLEEP/ECONOMY (αναστολή λειτουργίας/οικονομική λειτουργία), αν αυτό είναι εφικτό.
- Αν δε σκοπεύετε να χρησιμοποιήσετε τη μονάδα για μεγάλο χρονικό διάστημα, αφαιρέστε τις μπαταρίες από το τηλεχειριστήριο.
- Πρέπει να καθαρίζετε το φίλτρο αέρα κάθε δύο εβδομάδες. Αν το φίλτρο βρομίσει, μειώνεται η απόδοση ψύξης ή θέρμανσης.
- Ρυθμίστε κατάλληλα τις περσίδες και αποφεύγετε την απευθείας έκθεση στο ρεύμα αέρα.



Το κλείσιμο των κουρτινών κατά τη θέρμανση μειώνει τις απώλειες θερμότητας

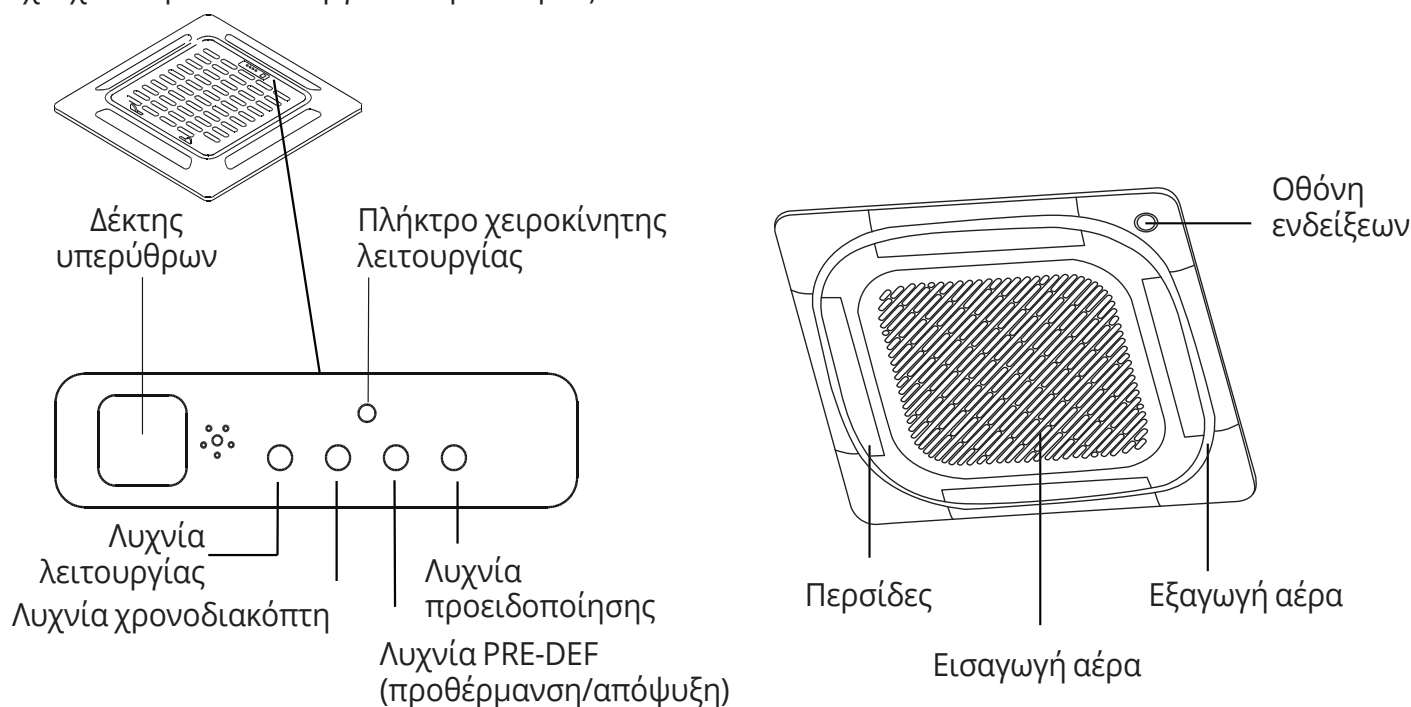


Οι πόρτες και τα παράθυρα πρέπει να παραμένουν κλειστά

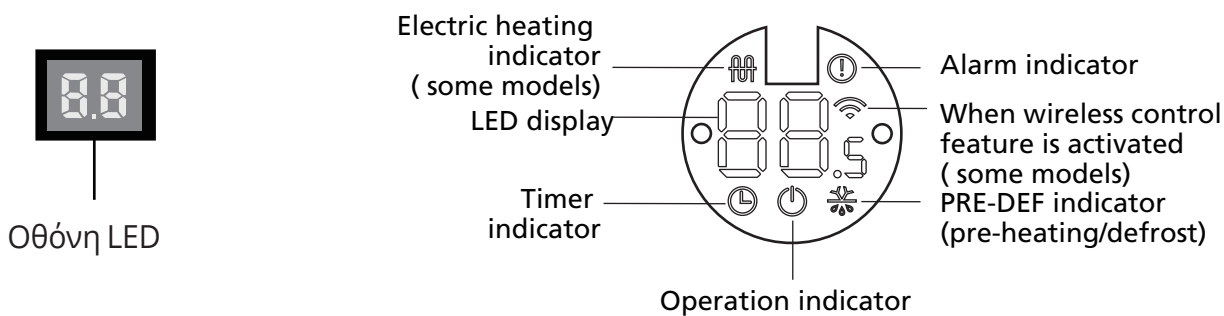
## Χειροκίνητες λειτουργίες

# 3

Η οθόνη στην εσωτερική μονάδα μπορεί να χρησιμοποιηθεί σε περίπτωση που το τηλεχειριστήριο έχει χαθεί ή δεν λειτουργούν οι μπαταρίες του.



Εικ. 3.1



Εικ. 3.2

- **Πλήκτρο Χειροκίνητης λειτουργίας:** Επιλέγει τον τρόπο λειτουργίας με την ακόλουθη σειρά: AUTO (Αυτόματη), FORCED COOL (Εξαναγκασμένη ψύξη), OFF (Απενεργοποίηση).
- **Λειτουργία FORCED COOL (Εξαναγκασμένη ψύξη):** Κατά τη λειτουργία FORCED COOL, η ενδεικτική λυχνία λειτουργίας αναβοσβήνει. Στη συνέχεια, το σύστημα μεταβαίνει στη λειτουργία AUTO αφού ψύξει τον χώρο με αέρα υψηλής ταχύτητας για 30 λεπτά. Στη διάρκεια αυτής της λειτουργίας το τηλεχειριστήριο απενεργοποιείται.
- **Λειτουργία OFF (Απενεργοποίηση):** Όταν επιλέγεται η ρύθμιση OFF στον πίνακα, απενεργοποιείται η μονάδα και επανενεργοποιείται το τηλεχειριστήριο.

## Οδηγίες ασφαλείας

- Επικοινωνήστε με έναν αδειοδοτημένο τεχνικό του σέρβις για την επισκευή ή τη συντήρηση. Αν η επισκευή και η συντήρηση δε γίνουν σωστά, μπορεί να προκληθεί διαρροή νερού, ηλεκτροπληξία ή πυρκαγιά.
- **ΜΗΝ** αντικαθιστάτε μια καμένη ασφάλεια με άλλη ασφάλεια μεγαλύτερης ή μικρότερης ονομαστικής τάσης ρεύματος, γιατί μπορεί να προκληθεί ζημιά στο κύκλωμα ή πυρκαγιά.
- Βεβαιωθείτε ότι ο σωλήνας αποστράγγισης έχει τοποθετηθεί σύμφωνα με τις οδηγίες. Σε αντίθετη περίπτωση, μπορεί να προκύψει διαρροή και να προκληθούν υλικές ζημιές, πυρκαγιά και ηλεκτροπληξία.
- Βεβαιωθείτε ότι όλα τα καλώδια είναι σωστά συνδεδεμένα. Αν τα καλώδια δε συνδεθούν σύμφωνα με τις οδηγίες, μπορεί να προκληθεί ηλεκτροπληξία ή πυρκαγιά.

## Συντήρηση της μονάδας

### ΠΡΙΝ ΑΠΟ ΤΟΝ ΚΑΘΑΡΙΣΜΟ Ή ΤΗ ΣΥΝΤΗΡΗΣΗ

- Πριν από τον καθαρισμό ή τη συντήρηση πρέπει πάντα να απενεργοποιείτε το κλιματιστικό και να αποσυνδέετε την παροχή ρεύματος.
- **ΜΗΝ** χρησιμοποιείτε χημικές ουσίες ή πανιά που έχουν υποστεί χημική κατεργασία για να καθαρίσετε τη μονάδα.
- **ΜΗΝ** χρησιμοποιείτε βενζίνη, διαλυτικά βαφής, πούδρες στίλβωσης ή άλλα διαλυτικά μέσα για να καθαρίσετε τη μονάδα. Αυτά μπορεί να προκαλέσουν ρωγμές ή παραμορφώσεις στην πλαστική επιφάνεια.
- **ΜΗΝ** πλένετε τη μονάδα με τρεχούμενο νερό. Δημιουργείται κίνδυνος ηλεκτροπληξίας.
- **ΜΗΝ** χρησιμοποιείτε νερό με θερμοκρασία μεγαλύτερη από 40 °C (104 °F) για να καθαρίσετε το μπροστινό πλαίσιο. Μπορεί να προκληθεί παραμόρφωση ή αποχρωματισμός του μπροστινού πλαισίου.
- Πρέπει να καθαρίζετε τη μονάδα με βρεγμένο πανί που δεν αφήνει χνούδι και ουδέτερο απορρυπαντικό. Πρέπει να σκουπίζετε τη μονάδα με στεγνό πανί.

## Καθαρισμός του φίλτρου αέρα

Το φίλτρο εμποδίζει τη σκόνη και άλλα σωματίδια να εισχωρήσουν στην εσωτερική μονάδα. Η συσσώρευση σκόνης μειώνει την απόδοση του κλιματιστικού. Για βέλτιστη απόδοση, πρέπει να καθαρίζετε το φίλτρο αέρα κάθε δύο εβδομάδες ή συχνότερα, αν μένετε σε περιοχή όπου υπάρχει πολλή σκόνη. Αν το φίλτρο έχει φράξει και δεν καθαρίζεται, αντικαταστήστε το με καινούργιο.

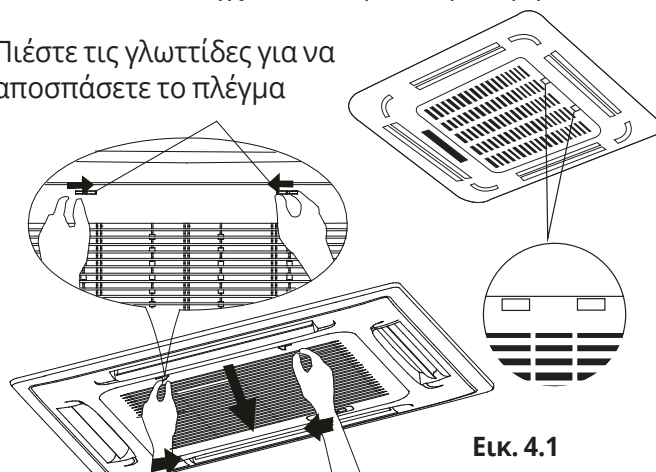
### ΠΡΟΕΙΔΟΠΟΙΗΣΗ: ΜΗΝ ΑΦΑΙΡΕΙΤΕ ΚΑΙ ΜΗΝ ΚΑΘΑΡΙΖΕΤΕ ΤΟ ΦΙΛΤΡΟ ΜΟΝΟΙ ΣΑΣ

Η αφαίρεση και ο καθαρισμός του φίλτρου ενέχουν κινδύνους. Η αφαίρεση και η συντήρηση πρέπει να εκτελούνται από πιστοποιημένο τεχνικό.

**ΣΗΜΕΙΩΣΗ:** Σε νοικοκυριά όπου υπάρχουν ζώα, πρέπει περιοδικά να καθαρίζετε το πλέγμα από τις τρίχες των ζώων που εμποδίζουν τη ροή του αέρα.

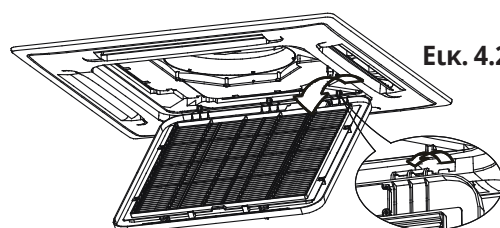
1. Απασφαλίστε το πλέγμα πιέζοντας ταυτόχρονα τις δύο γλωττίδες προς το μέσον.
2. Αποσυνδέστε το καλώδιο του πλαισίου της οθόνης από το κουτί ελέγχου στο κύριο σώμα της μονάδας.

Πιέστε τις γλωττίδες για να αποσπάσετε το πλέγμα



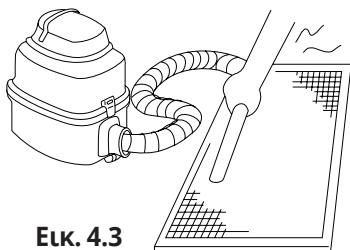
Εικ. 4.1

3. Αποσπάστε το πλέγμα από την κύρια μονάδα: Κρατώντας το υπό γωνία 45°, ανασηκώστε το ελαφρώς και τραβήξτε το προς τα εμπρός.



Εικ. 4.2

4. Αφαιρέστε το φίλτρο αέρα.
5. Καθαρίστε το φίλτρο αέρα σαρώνοντας την επιφάνειά του με ηλεκτρική σκούπα ή πλύνετε το με χλιαρό νερό και ήπιο απορρυπαντικό.
- A. Αν χρησιμοποιήσετε ηλεκτρική σκούπα, θα πρέπει να είναι στραμμένη η πλευρά εισαγωγής προς την ηλεκτρική σκούπα.



Εικ. 4.3

Fig. 4.3

- B. Αν χρησιμοποιείτε νερό, η πλευρά εισαγωγής θα πρέπει να είναι στραμμένη προς τα κάτω και σε κατεύθυνση αντίθετη από τη ροή του νερού.

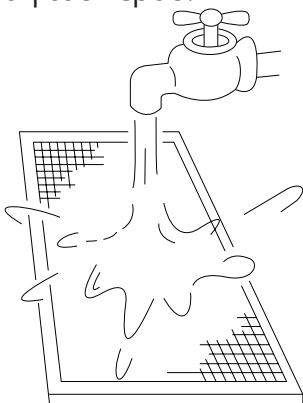


Fig. 4.4

Εικ. 4.34

6. Ξεπλύνετε το φίλτρο με καθαρό νερό και αφήστε το να στεγνώσει στον αέρα. **ΜΗΝ** αφήνετε το φίλτρο να στεγνώσει σε άμεσο ηλιακό φως.
7. Επανατοποθετήστε το φίλτρο.
8. Επανατοποθετήστε το μπροστινό πλέγμα και συνδέστε ξανά το καλώδιο του πλαισίου της οθόνης στο κουτί ελέγχου στο κύριο σώμα της μονάδας.

## Επισκευή διαρροών ψυκτικού μέσου

### ! ΠΡΟΕΙΔΟΠΟΙΗΣΗ

- Αν υπάρχει διαρροή ψυκτικού μέσου, απενεργοποιήστε το κλιματιστικό και οποιοσδήποτε άλλες συσκευές θέρμανσης που λειτουργούν στο χώρο, εξαερίστε το δωμάτιο και επικοινωνήστε αμέσως με τον αντιπρόσωπο. Το ψυκτικό μέσο είναι τοξικό και εύφλεκτο. **ΜΗΝ** χρησιμοποιήσετε το κλιματιστικό μέχρι να επισκευαστεί η διαρροή.
- Αν το κλιματιστικό εγκατασταθεί σε μικρό χώρο, πρέπει να ληφθούν μέτρα ώστε, σε περίπτωση διαρροής, η συγκέντρωση του ψυκτικού μέσου να μην υπερβαίνει το όριο ασφαλείας. Η υψηλή συγκέντρωση ψυκτικού μέσου δημιουργεί σοβαρό κίνδυνο στην υγεία και την ασφάλειά σας.

### Σύστημα εντοπισμού διαρροής ψυκτικού μέσου (ορισμένα μοντέλα)

- Σε περίπτωση διαρροής ψυκτικού μέσου, στην οθόνη LCD εμφανίζεται η ένδειξη "EC" και η ενδεικτική λυχνία LED αρχίζει να αναβοσβήνει.

### Προετοιμασία για περιόδους μη χρήσης

#### Συντήρηση μετά από παρατεταμένες περιόδους μη χρήσης.

1. Αφαιρέστε οποιαδήποτε εμπόδια φράζουν τους αεραγωγούς της εσωτερικής και της εξωτερικής μονάδας.
2. Καθαρίστε το φίλτρο αέρα και το μπροστινό πλέγμα της εσωτερικής μονάδας. Τοποθετήστε ξανά το καθαρό, στεγνό φίλτρο αέρα στην αρχική του θέση.
3. Ενεργοποιήστε τον κεντρικό διακόπτη παροχής ρεύματος τουλάχιστον 12 ώρες πριν από τη λειτουργία της μονάδας

#### Αποθήκευση της μονάδας όταν δε χρησιμοποιείται

1. Αφήστε τη μονάδα να λειτουργήσει με τη ρύθμιση FAN (Ανεμιστήρας) για 12 ώρες σε ζεστό χώρο για να στεγνώσει και να εμποδιστεί ο σχηματισμός μούχλας.
2. Απενεργοποιήστε τη συσκευή και αποσυνδέστε την από την πρίζα.
3. Καθαρίστε το φίλτρο αέρα σύμφωνα με τις οδηγίες που παρέχονται στην προηγούμενη ενότητα. Επανατοποθετήστε το καθαρό, στεγνό φίλτρο προτού αποθηκεύσετε τη μονάδα.
4. Αφαιρέστε τις μπαταρίες από το τηλεχειριστήριο.

## ΠΡΟΣΟΧΗ

Αν προκύψει κάποιο από τα παρακάτω, αποσυνδέστε αμέσως από την παροχή ρεύματος και επικοινωνήστε με τον αντιπρόσωπο για περαιτέρω βοήθεια.

- Η ενδεικτική λυχνία λειτουργίας συνεχίζει να αναβοσβήνει γρήγορα μετά από την επανεκκίνηση της μονάδας.
- Τα πλήκτρα του τηλεχειριστηρίου δε λειτουργούν.
- Η μονάδα καίει συνεχώς τις ασφάλειες και ρίχνει τους ασφαλειοδιακόπτες.
- Έχει εισχωρήσει κάποιο ξένο σώμα ή νερό στο κλιματιστικό.
- Άλλες μη φυσιολογικές καταστάσεις.

## Συνήθη προβλήματα

Τα ακόλουθα συμπτώματα δεν υποδεικνύουν δυσλειτουργία και στις περισσότερες περιπτώσεις, δεν απαιτείται επισκευή.

Πρόβλημα	Πιθανές αιτίες
<b>Η μονάδα δεν ενεργοποιείται με το πάτημα του πλήκτρου ON/ OFF</b>	Η μονάδα διαθέτει λειτουργία προστασίας 3 λεπτών, η οποία εμποδίζει την υπερφόρτωση της μονάδας. Η μονάδα δεν μπορεί να επανεκκινηθεί μέσα σε διάστημα τριών λεπτών από τη στιγμή που θα απενεργοποιηθεί.
	Μοντέλα με λειτουργία ψύξης και θέρμανσης: Αν οι ενδεικτικές λυχνίες λειτουργίας και PRE-DEF (Προθέρμανση/ Απόψυξη) είναι αναμμένες, η εξωτερική θερμοκρασία είναι πολύ χαμηλή και έχει ενεργοποιηθεί η ροή αέρα κατά του ψύχους για την απόψυξη της μονάδας.
	Στα μοντέλα που διαθέτουν μόνο λειτουργία ψύξης: Αν είναι αναμμένη η ενδεικτική λυχνία „Fan Only” (Μόνο ανεμιστήρας), η εξωτερική θερμοκρασία είναι πολύ χαμηλή και έχει ενεργοποιηθεί η λειτουργία προστασίας από τον παγετό για την απόψυξη της μονάδας.
<b>Η μονάδα μεταβαίνει από τη λειτουργία COOL (Ψύξη) στη λειτουργία FAN (Ανεμιστήρας)</b>	Η μονάδα αλλάζει τη ρύθμισή της για να εμποδίσει τον σχηματισμό πάγου. Μόλις αυξηθεί η θερμοκρασία, η μονάδα αρχίζει να λειτουργεί ξανά.
	Έχει επιτευχθεί η καθορισμένη θερμοκρασία, οπότε η μονάδα απενεργοποιεί τον συμπιεστή. Η μονάδα λειτουργεί όταν η θερμοκρασία αρχίσει ξανά να αυξομειώνεται.
<b>Η εσωτερική μονάδα βγάξει λευκή ομίχλη</b>	Στις περιοχές με υψηλή υγρασία, μια μεγάλη διαφορά θερμοκρασίας μεταξύ του αέρα του χώρου και του αέρα που εξέρχεται από το κλιματιστικό μπορεί να προκαλέσει τον σχηματισμό λευκής ομίχλης.

<b>Πρόβλημα</b>	<b>Πιθανές αιτίες</b>
<b>Η εσωτερική και η εξωτερική μονάδα βγάζουν λευκή ομίχλη</b>	Όταν η μονάδα επανεκκινείται στη λειτουργία HEAT (Θέρμανση) μετά από απόψυξη, μπορεί να αρχίσει να εξάγει λευκή ομίχλη εξαιτίας της υγρασίας που δημιουργείται από τη διαδικασία απόψυξης.
<b>Η εσωτερική μονάδα παράγει θορύβους</b>	Ακούγεται ένα τριξίμο όταν το σύστημα είναι στη λειτουργία OFF (Απενεργοποίηση) ή COOL (Ψύξη). Ο θόρυβος ακούγεται επίσης όταν λειτουργεί η αντλία αποστράγγισης (προαιρετική). Ο θόρυβος τριξίματος μπορεί να προκύψει από τη λειτουργία HEAT (Θέρμανση) λόγω διαστολής και συστολής των πλαστικών εξαρτημάτων της μονάδας.
<b>Η εσωτερική και η εξωτερική μονάδα παράγουν θορύβους</b>	Κατά τη λειτουργία μπορεί να ακούγεται ένας χαμηλός ήχος σφυρίγματος. Αυτό είναι φυσιολογικό και προκαλείται από τη ροή του ψυκτικού μέσου στην εσωτερική και την εξωτερική μονάδα. Μπορεί να ακούγεται ένας χαμηλός ήχος σφυρίγματος όταν το σύστημα εκκινείται, όταν έχει μόλις σταματήσει ή όταν εκτελείται η διαδικασία απόψυξης. Αυτός ο θόρυβος είναι φυσιολογικός και προκαλείται από τη διακοπή ή την αλλαγή κατεύθυνσης της ροής του ψυκτικού μέσου.
<b>Η εξωτερική μονάδα παράγει θορύβους</b>	Η μονάδα παράγει διάφορους ήχους ανάλογα με την τρέχουσα κατάσταση λειτουργίας.
<b>Εξέρχεται σκόνη από την εσωτερική ή την εξωτερική μονάδα</b>	Στη μονάδα μπορεί να συσσωρευτεί σκόνη κατά τη διάρκεια παρατεταμένων περιόδων μη χρήσης. Στη συνέχεια, όταν η μονάδα τεθεί σε λειτουργία, αυτή η σκόνη βγαίνει προς τα έξω. Για να μετριάσετε αυτό το φαινόμενο, μπορείτε να καλύπτετε τη μονάδα κατά τη διάρκεια μεγάλων περιόδων αδράνειας.
<b>Η μονάδα εκλύει άσχημη οσμή</b>	Η μονάδα μπορεί να απορροφά οσμές από το περιβάλλον (έπιπλα, μαγείρεμα, τσιγάρα κ.λπ.) και να τις εκλύει κατά τη διάρκεια της λειτουργίας. Τα φίλτρα της μονάδας έχουν πιάσει μούχλα και πρέπει να καθαριστούν.
<b>Η φτερωτή της εξωτερικής μονάδας δε λειτουργεί</b>	Κατά τη διάρκεια της λειτουργίας, η ταχύτητα της φτερωτής ελέγχεται ώστε να βελτιστοποιείται η λειτουργία του προϊόντος.

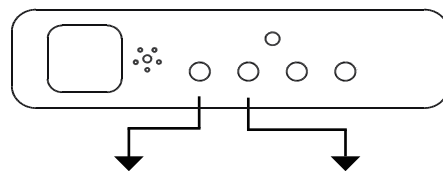


## Συμβουλές για την επίλυση προβλημάτων

Όταν παρουσιάζονται προβλήματα, θα πρέπει να ελέγχετε τα παρακάτω προτού επικοινωνήσετε με εξουσιοδοτημένο τεχνικό.

Πρόβλημα	Πιθανές Αιτίες	Λύση
<b>Η μονάδα δε λειτουργεί</b>	Διακοπή ρεύματος	Περιμένετε να επανέλθει το ρεύμα
	Ο διακόπτης λειτουργίας είναι στη θέση απενεργοποίησης	Γυρίστε τον διακόπτη στη θέση ενεργοποίησης
	Η ασφάλεια έχει καεί	Αντικαταστήστε την ασφάλεια
	Οι μπαταρίες του τηλεχειριστηρίου έχουν εξαντληθεί	Αντικαταστήστε τις μπαταρίες του τηλεχειριστηρίου
	Έχει ενεργοποιηθεί η λειτουργία προστασίας 3 λεπτών της μονάδας	Περιμένετε τρία λεπτά μέχρι να επανεκκινήσετε τη μονάδα
<b>Μη ικανοποιητική απόδοση ψύξης</b>	Η ρύθμιση της θερμοκρασίας μπορεί να είναι υψηλότερη από τη θερμοκρασία περιβάλλοντος του χώρου	Μειώστε τη ρύθμιση θερμοκρασίας
	Έχει συσσωρευτεί σκόνη στον εναλλάκτη θερμότητας της εσωτερικής ή της εξωτερικής μονάδας	Καθαρίστε τον εναλλάκτη θερμότητας
	Έχει συσσωρευτεί σκόνη στο φίλτρο αέρα	Αφαιρέστε το φίλτρο και καθαρίστε το σύμφωνα με τις οδηγίες
	Το άνοιγμα εισαγωγής ή εξαγωγής αέρα στην εσωτερική ή στην εξωτερική μονάδα είναι φραγμένο	Απενεργοποιήστε τη μονάδα, απομακρύνετε το εμπόδιο και ενεργοποιήστε την ξανά
	Οι πόρτες και τα παράθυρα είναι ανοιχτά	Βεβαιωθείτε ότι όλες οι πόρτες και τα παράθυρα είναι κλειστά όταν λειτουργεί η μονάδα
	Παράγεται υπερβολική θερμότητα από το ηλιακό φως	Φροντίστε να κλείνετε τα παράθυρα και τις κουρτίνες κατά τη διάρκεια περιόδων υψηλής ζέστης ή πολύ έντονηςλιακάδας
	Χαμηλή στάθμη ψυκτικού μέσου λόγω διαρροής ή μακροχρόνιας χρήσης	Ελέγξτε για διαρροές, στεγανοποιήστε ξανά το σύστημα αν χρειάζεται και συμπληρώστε το ψυκτικό μέσο
<b>Η μονάδα εκκινείται και σταματά συχνά</b>	Υπάρχει πολύ μεγάλη ή πολύ μικρή ποσότητα ψυκτικού μέσου στο σύστημα	Ελέγξτε για διαρροές και ξαναγεμίστε το σύστημα με ψυκτικό μέσο
	Υπάρχει αέρας, ασυμπιεστο αέριο ή ξένο σώμα στο σύστημα ψύξης	Εκκενώστε και ξαναγεμίστε το σύστημα με ψυκτικό μέσο
	Κάποιο κύκλωμα του συστήματος έχει μπλοκάρει	Εντοπίστε το μπλοκαρισμένο κύκλωμα και αντικαταστήστε το εξάρτημα που δε λειτουργεί σωστά
	Υπάρχει βλάβη στον συμπιεστή	Αντικαταστήστε τον συμπιεστή
	Η τάση είναι υπερβολικά υψηλή ή υπερβολικά χαμηλή	Τοποθετήστε έναν ρυθμιστή πίεσης για τον έλεγχο της τάσης
<b>Μη ικανοποιητική απόδοση θέρμανσης</b>	Η εξωτερική θερμοκρασία είναι χαμηλότερη από 7 °C (44,5 °F)	Ελέγξτε για διαρροές και ξαναγεμίστε το σύστημα με ψυκτικό μέσο
	Εισέρχεται κρύος αέρας από τις πόρτες και τα παράθυρα	Βεβαιωθείτε ότι όλες οι πόρτες και τα παράθυρα είναι κλειστά κατά τη διάρκεια της χρήσης
	Χαμηλή στάθμη ψυκτικού μέσου λόγω διαρροής ή μακροχρόνιας χρήσης	Ελέγξτε για διαρροές, στεγανοποιήστε ξανά το σύστημα αν χρειάζεται και συμπληρώστε το ψυκτικό μέσο

## • Τύπος Κλιματιστικού Inverter



Αριθμός	Αιτία	Αριθμός αναβοσβησιμάτων ανά δευτερόλεπτο	Ένδεικτική λυχνία	Κωδικός σφάλματος
1	Σφάλμα μνήμης EEPROM (Προγραμματιζόμενη μνήμη μόνο για ανάγνωση, διαγράψιμη με ηλεκτρικό ρεύμα) στην εσωτερική μονάδα	1	Σβηστή	<b>EH 00/ EH 0A</b>
2	Πρόβλημα επικοινωνίας εσωτερικής και εξωτερικής μονάδας	2	Σβηστή	<b>EL 01</b>
3	Πρόβλημα ταχύτητας ανεμιστήρα στην εσωτερική μονάδα	4	Σβηστή	<b>EH 03</b>
4	Σφάλμα αισθητήρα θερμοκρασίας εσωτερικού χώρου	5	Σβηστή	<b>EH 60</b>
5	Σφάλμα αισθητήρα θερμοκρασίας σερπαντίνας του εξατμιστή	6	Σβηστή	<b>EH 61 / EC 56</b>
6	Δυσλειτουργία συστήματος εντοπισμού διαρροών ψυκτικού μέσου	7	Σβηστή	<b>EL 0C</b>
7	Δυσλειτουργία συστήματος προειδοποίησης για τη στάθμη νερού	8	Σβηστή	<b>EH 0E</b>
8	Πρόβλημα επικοινωνίας στη διπλή εσωτερική μονάδα (μόνο στα μοντέλα με διπλή μονάδα)	9	Σβηστή	<b>EH 0b</b>
9	Προστασία από υπερφόρτωση	1	Αναμμένη	<b>F0</b>
10	Σφάλμα αισθητήρα εξωτερικής θερμοκρασίας	2	Σβηστή	<b>EC 53</b>
11	Σφάλμα αισθητήρα στον σωλήνα του εξωτερικού συμπυκνωτή	3	Σβηστή	<b>EC 52</b>
12	Σφάλμα αισθητήρα θερμοκρασίας εξερχόμενου αέρα	4	Σβηστή	<b>EC 54</b>
13	Σφάλμα μνήμης EEPROM (Προγραμματιζόμενη μνήμη μόνο για ανάγνωση, διαγράψιμη με ηλεκτρικό ρεύμα) στην εξωτερική μονάδα	5	Αναμμένη	<b>EC 51</b>
14	Πρόβλημα ταχύτητας ανεμιστήρα εξωτερικής μονάδας (μόνο για τη φτερωτή με μοτέρ DC)	6	Αναμμένη	<b>EC 07</b>
15	Προστασία IPM μονάδας Inverter	1	Αναβοσβήνει	<b>PC 00</b>
16	Προστασία από υψηλή/χαμηλή τάση	2	Αναβοσβήνει	<b>PC 01</b>
17	Προστασία υπερθέρμανσης πάνω τμήματος συμπιεστή	3	Αναβοσβήνει	<b>PC 02</b>
18	Σφάλμα κινητήριας μονάδας συμπιεστή	5	Αναβοσβήνει	<b>PC 04</b>
19	Ασυμφωνία κατάστασης λειτουργίας	6	Αναβοσβήνει	<b>--</b>
20	Προστασία χαμηλής πίεσης συμπιεστή	7	Αναβοσβήνει	<b>PC 03</b>
21	Σφάλμα εξωτερικού αισθητήρα IGBT	8	Αναβοσβήνει	<b>EC 0d</b>

Για τους χρήστες εντός της Ευρωπαϊκής Ένωσης, η απόρριψη της μονάδας πρέπει να γίνει με κατάλληλο τρόπο. Αυτή η συσκευή περιέχει ψυκτικό μέσο και άλλα ενδεχομένως επικίνδυνα υλικά. Για την απόρριψη αυτής της συσκευής, ο νόμος απαιτεί ειδικές μεθόδους συλλογής και επεξεργασίας. **ΜΗΝ** απορρίψετε αυτό το προϊόν ως οικιακό απόρριμμα ή ως δημοτικό απόβλητο που δεν έχει περάσει από διαδικασία διαλογής.

### Για την απόρριψη αυτής της συσκευής έχετε τις παρακάτω επιλογές:

- Μπορείτε να απορρίψετε τη συσκευή σε καθορισμένη δημοτική εγκατάσταση συλλογής άχρηστων ηλεκτρονικών συσκευών.
- Όταν αγοράζετε μια καινούργια συσκευή, το κατάστημα λιανικής πώλησης μπορεί να παραλάβει δωρεάν την παλιά συσκευή.
- Ο κατασκευαστής μπορεί επίσης να παραλάβει δωρεάν την παλιά συσκευή.
- Μπορείτε να πουλήσετε τη συσκευή σε πιστοποιημένους εμπόρους άχρηστων μετάλλων.

**ΣΗΜΕΙΩΣΗ:** Η απόρριψη αυτής της συσκευής σε δάση ή σε άλλο φυσικό περιβάλλον δημιουργεί κινδύνους για την υγεία και βλάπτει το περιβάλλον. Μπορεί να διαρρεύσουν επικίνδυνες ουσίες στα υπόγεια ύδατα και να εισχωρήσουν στην τροφική αλυσίδα.



---

Όλες οι εικόνες στο παρόν εγχειρίδιο εξυπηρετούν επεξηγηματικούς σκοπούς. Το προϊόν που προμηθευτήκατε μπορεί να εμφανίζει ορισμένες διαφορές ως προς το σχήμα, ωστόσο οι λειτουργίες και τα χαρακτηριστικά παραμένουν ίδια. Η εταιρεία δεν φέρει ευθύνη για τυχόν τυπογραφικά λάθη. Ο σχεδιασμός και οι προδιαγραφές του προϊόντος μπορεί να τροποποιηθούν χωρίς προηγούμενη ειδοποίηση με σκοπό τη βελτίωση των προϊόντων. Για λεπτομέρειες, απευθυνθείτε στον κατασκευαστή στο 211 300 3300 ή στον αντιπρόσωπο. Τυχόν ενημερώσεις του εγχειρίδιου θα αναρτηθούν στην ιστοσελίδα του κατασκευαστή, παρακαλούμε να ελέγξετε για την πιο πρόσφατη έκδοση.



Σαρώστε εδώ για να κατεβάσετε την τελευταία έκδοση του εγχειριδίου.  
[www.inventoraircondition.gr/media-library](http://www.inventoraircondition.gr/media-library)

# Υποβολή Εγγύησης

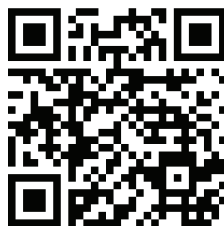
Ακολουθήστε τα παρακάτω σύντομα βήματα για να ενεργοποιήσετε την εγγύησή σας:

## ΒΗΜΑ 1

Επισκεφθείτε την ιστοσελίδα μας μέσω του παρακάτω συνδέσμου:

<https://www.inventoraircondition.gr/egiisi-inventor>

ή σκανάροντας τον ακόλουθο κωδικό QR:



## ΒΗΜΑ 2

Συμπληρώστε όλα τα απαραίτητα πεδία όπως ζητούνται στα "Στοιχεία ιδιοκτήτη" και "Στοιχεία μηχανήματος":

Για να ενεργοποιήσετε την εγγύηση, παρακαλούμε συμπληρώστε τα παρακάτω πεδία:

Στοιχεία ιδιοκτήτη	Στοιχεία μηχανήματος
Όνομα	Τύπος
Διεύθυνση*	Σειριακός αριθμός μηχανήματος*

## ΒΗΜΑ 3

Πατήστε το κουμπί ΑΠΟΣΤΟΛΗ, στο κάτω μέρος της φόρμας υποβολής:

Διεύθυνση email\*

Να εγγραφώ στο newsletter της Inventor

**ΑΠΟΣΤΟΛΗ** ησης αποδέχεστε τους όρους και τις προϋποθέσεις.

Μολις ολοκληρωθεί η υποβολή της εγγύησης θα λάβετε την επιβεβαίωση κατοχύρωσης στο email σας

## ΒΗΜΑ 4

Θα λάβετε σχετικό mail επιβεβαίωσης στη διεύθυνση email που έχετε δηλώσει. Παρακαλούμε ελέγξτε και τον φάκελο με τα Ανεπιθύμητα εισερχόμενα.

## ΒΗΜΑ 5

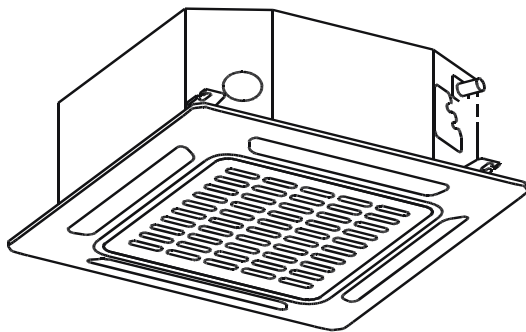
Έχετε υποβάλει επιτυχώς την εγγύηση του προϊόντος Inventor!

# Cuprins

## Manual instalare

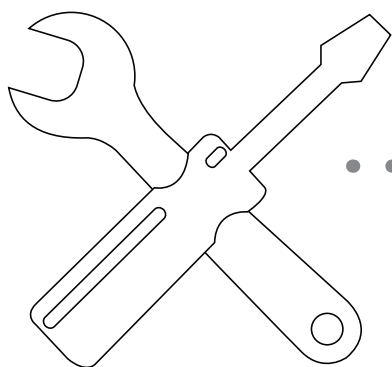
1 Masuri de siguranta .....05

2 Unitatea interioara si functiile principale.....08

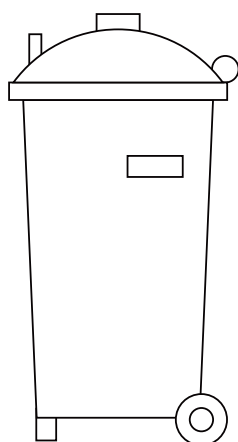
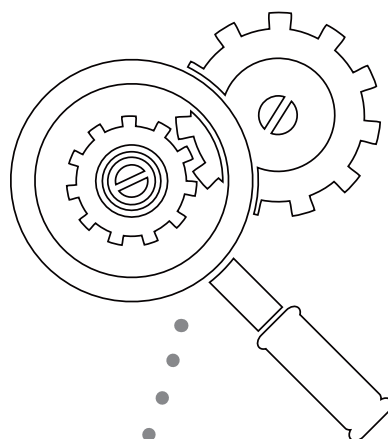


3 Operarea manuala ..... 10

<b>4</b>	Lucrarile de mentenanta.....	11
	Mentenanta unitatii .....	11
	Curatarea filtrelor de aer .....	11
	Remedierea scurgerilor de agent frigorific.....	12
	Pregatiri in vederea opriri functionarii pentru perioade lungi de timp.....	12



<b>5</b>	Depanare.....	13
	Situatii des intalnite .....	13
	Sfaturi de depanare.....	15
<b>5</b>	Sfaturi de depanare .....	17



**Atentie: PERICOL DE INCENDIU/  
materiale inflamabile**

Lucrarile de service vor fi facute de catre personalul producatorului.  
Lucrarile de mentenanta si reparatie, vor fi facute de catre alte persoane calificate, sub atenta supraveghere a persoanei autorizate pentru lucrari ce implica agenti frigorifici inflamabili.  
Mai multe informatii veti gasi in manualul de instalare. (valabil doar pentru aparatele ce folosesc agent frigorific R32/R290).





# Masuri de siguranta

# 1

Multumim pentru ca ati achizitionat aparatul de aer conditionat Inventor. Acest manual va ofera informatii cu privire la operarea, intretinerea si depanarea unitatii dumneavoastra. Urmand sfaturile si instructiunile din acest manual, veti asigura functionarea corecta a aparatului si prelungirea perioadei de utilizare.

## Inainte de instalare, cititi cu atentie sfaturile cu privire la siguranta

Instalarea incorecta, efectuata fara citirea instructiunilor, poate duce la pagube serioase sau vatamare corporala. Gravitatea situatiei (pagube materiale sau vatamare corporala), este clasificata in **AVERTISMENTE** sau **ATENTIONARI**.



**AVERTIZARE**

**Ignorarea instructiunilor poate duce la deces. Aparatul va fi instalat doar respectand normele nationale si legislatia in vigoare.**



**ATENTIONARE**

**Ignorarea acestor instructiuni poate duce la ranirea utilizatorului sau defectarea aparatului.**



**Acest simbol va indica faptul ca actiunea respectiva este strict interzisa.**



## **AVERTIZARE**

1. Instalarea va fi facuta de catre un distribuitor autorizat. Instalarea incorecta a aparatului poate cauza scurgeri de apa, socuri electrice sau incendii.
2. Garantia va fi anulata in cazul in care unitatea nu a fost instalata de personal autorizat.
3. In cazul unei situatii anormale (simiti miros de fum), opriti imediat aparatul si contactati distribuitorul pentru instructiuni.
4. **NU** umeziti/udati telecomanda. Pericol de soc electric.
5. **NU** introduceti degetele, bete sau alte obiecte in gurile de admisie/evacuare a aerului. Pericol de ranire datorita ventilatoarelor.
6. **NU** folositi spray-uri inflamabile (fixativ, deodorant, etc.) sau oja/vopsea, langa aparat. Pericol de incendiu.
7. Asigurati-va ca aparatul nu va suferi socuri mecanice.
8. Verificati conformitatea cu normele nationale cu privire la gaz.
9. Gurile de ventilatie (admisie/evacuare

aer), vor fi intotdeauna libere si nu vor fi obstructionate.

10. Persoanele care vor incepe orice tip de lucrare asupra aparatului sau a traseului frigorific, vor fi autorizate de catre autoritatile competente.
11. Lucrarile de service vor fi facute in conformitate cu cerintele producatorului. Lucrarile de mentenanta si reparatie ce necesita alte persoane calificate, vor fi supravegheate de catre persoane competente si autorizate pentru lucrari cu agenti frigorifici inflamabili.
12. Persoanele cu capacitati fizice, senzoriale sau mentale reduse, sau fara experienta (inclusiv copii), nu pot utiliza acest aparat decat sub supraveghere atenta sau dupa ce au fost instruite. Copii vor fi supravegheati, pentru a va asigura ca nu se vor juca cu aparatul (Standard IEC).
13. Acest aparat poate fi folosit de catre copii de minim 8 ani sau de catre persoane cu abilitati fizice, senzoriale sau mentale reduse, doar sub atenta supraveghere si dupa ce s-a asigurat instructajul. Copiilor nu le va fi permis sa se joace cu acest aparat. Curatarea acestui aparat nu v-a fi facuta de

catre copii, fara supravegherea atenta a unui adult. (Standarde EN).

14. In cazul deteriorarii cablului de alimentare, acesta trebuie inlocuit de catre producator, departamentul de service sau alte persoane calificate.
15. Aparatul va fi instalat doar respectand normele nationale si legislatia in vigoare.
16. Este necesar sa aveti un comutator de deconectare multipolar ce are o separare de contact de cel puțin 3 mm la toți polii, cu o intensitate nominala de maxim 30mA si o intensitate de scurgere de maxim 10mA, care va fi incorporat in cablajul X, in conformitate cu regulile de cablaj.
17. Nu va expuneti fluxului direct de aer rece, pentru perioade lungi de timp.
18. Nu folositi aparatul in locatii sau aproape de locatii unde exista gaze sau vapori combustibili. Gazele se pot acumula si pot produce explozii.
19. In incaperi precum bucatarii, camere pentru server, etc., folositi aparate de aer conditionat speciale pentru asemenea incaperi.

## ATENTIE

1. **NU** atingeti gura de evacuare a aerului in timp ce flapsul se misca. Va puteti prinde degetele si unitatea se poate defecta.
2. **NU** inspectati unitatea de unul singur. Cereti suportul unui dealer autorizat.
3. Pentru a preveni defectarea aparatului, acesta nu va fi folosit in scopul conservarii alimentelor, plantelor, animalelor sau a operelor de arta.
4. **NU** atingeti arcurile evaporatorului situat in interiorul unitatii. Aceste arcuri sunt ascutite si va puteti rani.
5. **NU** operati aparatul cand aveti mainile ude. Pericol de electrocutare.
6. **NU** asezati obiecte ce pot fi afectate de umiditate, langa aparat. Condensarea se intampla la un nivel al umiditatii de 80%.
7. • **NU** asezati, pentru racire, obiecte fierbinti sub unitatea interioara. Aparatul se va defecta.
8. Verificati periodic unitatea pentru a va sigura de integritatea acesteia.
9. Daca folositi aparatul de aer conditionat impreuna cu un dispozitiv pentru incalzire, ventilati incaperea pentru a reduce riscul deficientei de oxigen.
10. **NU** va urcati pe unitatea externa si nu asezati alte obiecte pe aceasta.
11. **NU** utilizati aparatul atunci cand folositi insecticide. Substantele chimice se pot depune pe unitate si va pot afecta sanatatea.
12. **NU** permiteti copiilor sa se joace cu acest aparat.
13. **NU** folositi aparatul intr-o camera cu umiditate ridicata (baie, spalatorie). Pericol de electrocutare sau defectare a aparatului.
14. Daca nu il veti folosi pentru o perioada lunga de timp, opriti aparatul si scoateti-l din priza.
15. In timpul furtunilor, opriti aparatul si scoateti-l din priza.

## ATENTIE

16. **NU** va urcati si nu asezati nici un obiect pe unitatea exterioara.
17. Nu folosi aparatul pe perioade lungi de timp, atunci cand usile sau ferestrele sunt deschise sau cand nivelul umiditatii este foarte ridicat.

## AVERTIZARI CU PRIVIRE LA CURATARE SI MENTENANTA

1. Opriti aparatul si scoateti-l din priza inainte de orice operatiune de curatare sau mentenanta. Pericol de electrocutare.
2. Nu curatati apratul folosind cantitati mari de apa.
3. Nu curatati aparatul cu substante inflamabile. Aceste substante pot duce la perforarea sau deformarea carcaselor. Inainte de curatare, scoateti aparatul din priza. Pericol de electrocutare.

## AVERTIZARI CU PRIVIRE LA ELECTRICITATE

1. Folositi doar cablul de alimentare specific. Daca deteriorati cablul de alimentare, acesta va fi inlocuit doar de catre producator sau un agent autorizat de service.
2. Mentineti cablul curat. Inlaturati praful sau particulele acumulate in jurul stecherului. Stecherul murdar poate produce socuri electrice.
3. Nu trageți de cablu daca doriti scoaterea aparatului din priza. Apucati stecherul cu mana si tineti de priza in timp ce trageți. Nerespectarea acestui sfat poate duce la deteriorarea cablului si implicit, la incendii sau socuri electrice.
4. Nu folositi prelungitoare, nu prelungiti manual cablul de alimentare si nu conectati alte aparate in aceeasi priza cu aparatul de aer conditionat. Aceste actiuni pot produce incendii, socuri electrice sau deteriorarea aparatelor. ames

NOTA: Pentru aparatele de aer conditionat aer-aer sau pompe de caldura, cu putere de racire mai mare de 12kW, consultati informatiile tehnice din suplimentul livrat. (valabil doar pentru produsele disponibile pentru Uniunea Europeana)

# Unitatea interioara si functiile principale

# 2

## Partile componente ale unitatii interioare

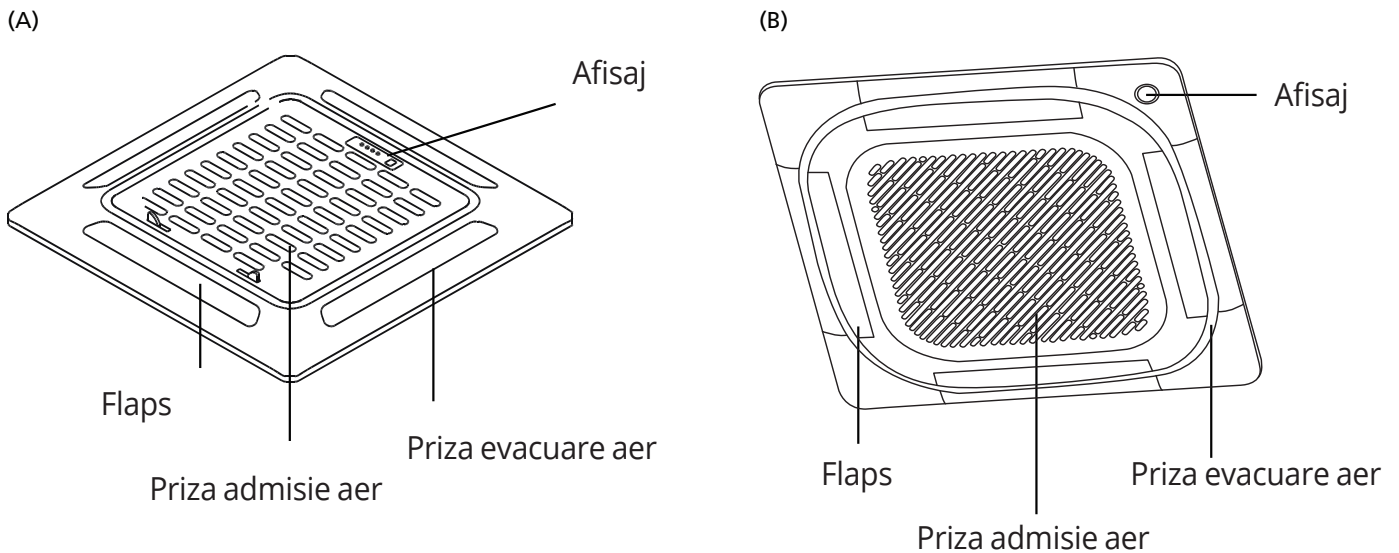


Fig. 2.1

## Conditii de functionare

Pentru a folosi aparatul in siguranta, respectati conditiile de mai jos. In caz de nerespectare a conditiilor, eficienta va scadea si aparatul se poate defecta.

### • Model Inverter

	Modul COOL (racire)	Modul HEAT (incalzire)	Modul DRY (dezumidificare)
<b>Temperatura interioara</b>	16°C - 32°C (60°F - 90°F)	0°C - 30°C (32°F - 86°F)	10°C - 32°C (50°F - 90°F)
<b>Temperatura exterioara</b>	-15°C - 50°C (5°F - 122°F)  (Valabil pentru modelele destinate zonelor tropicale)	-15°C - 24°C (5°F - 75°F)	0°C - 50°C (32°F - 122°F)

### UNITATI EXTERIOARE CU SIGURANTA SUPLIMENTARA PENTRU INCALZIRE

Cand temperatura exterioara scade sub 0°C (32°F), va recomandam sa mentineti unitatea pornita tot timpul, pentru mentinerea eficientei.

## Funcții

### Setarea standard

Când aparatul este repornit, după o pauză de curent, acesta va funcționa în setarea de fabrică (modul AUTO, viteza ventilatorului AUTO, temperatura de 24°C). Puteți folosi telecomanda pentru ajustarea setării.

### Auto-restart

În cazul unei pene de curent, sistemul se va opri automat. Când alimentarea cu energie electrică revine, indicatorul de funcționare se va aprinde intermitent. Pentru a reporni unitatea, apăsați butonul ON/OFF de pe telecomandă. Dacă aparatul dvs. are funcția AUTO RESTART, aparatul se va reporni automat cu aceleași setări.

### Protecție timp de 3 minute

O caracteristică de protecție a aparatului de aer condiționat împiedică activarea oricărei funcții a acestuia timp de aproximativ 3 minute de la repornire.

### Funcția de memorare a poziției flapsului

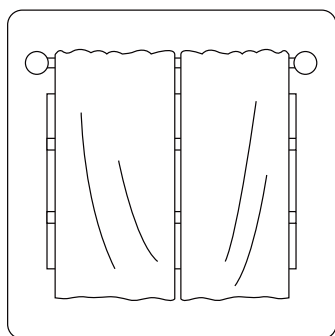
Anumite modele beneficiază de funcția de memorare a unghiului flapsului. Când unitatea este repornită, după o pauză de curent, flapsul orizontal va reveni automat în unghiul precedent. Nu stabiliți un unghi prea mic al flapsului, pentru a preveni scurgerea condensului în interiorul aparatului. Pentru resetarea unghiului, apăsați butonul manual.

### Sistemul pentru detectarea scurgerilor de agent frigorific

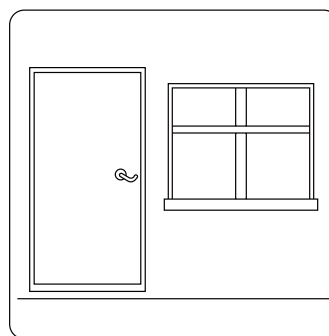
În cazul unei scurgeri de agent frigorific, display-ul LCD va afișa mesajul „EC” și indicatorul LED corespunzător se va aprinde intermitent.

## Sfaturi pentru economie de energie electrică

- **NU** programați aparatul pe temperaturi extreme.
- În timpul răcirii, trageți draperiile pentru a reduce patrunderea luminii solare.
- Mențineți închise ușile și ferestrele pentru a păstra temperatura constantă în încăpere.
- **NU** obstrucționați prizele de admisie/evacuare a aerului. În caz contrar, eficiența aparatului va scădea.
- Folosiți funcția de temporizator (TIMER)/ECONOMY dacă aceste funcții sunt disponibile.
- Dacă nu veți folosi aparatul pentru o perioadă lungă de timp, scoateți bateriile din telecomandă.
- Curățați filtrele de aer cel puțin o dată la 2 săptămâni. Un filtru murdar va reduce eficiența în încălzire/răcire.
- Ajustați unghiul flapsului corect și evitați contactul direct cu fluxul de aer.



**În timpul încălzirii, draperiile trase pot ajuta la păstrarea temperaturii**



**Ușile și ferestrele trebuie să fie închise**

## Operarea manuala a unitatii

# 3

Afisajul de pe unitatea interioara poate fi folosit pentru folosirea manuala a unitatii, atunci cand telecomanda nu poate fi folosita.

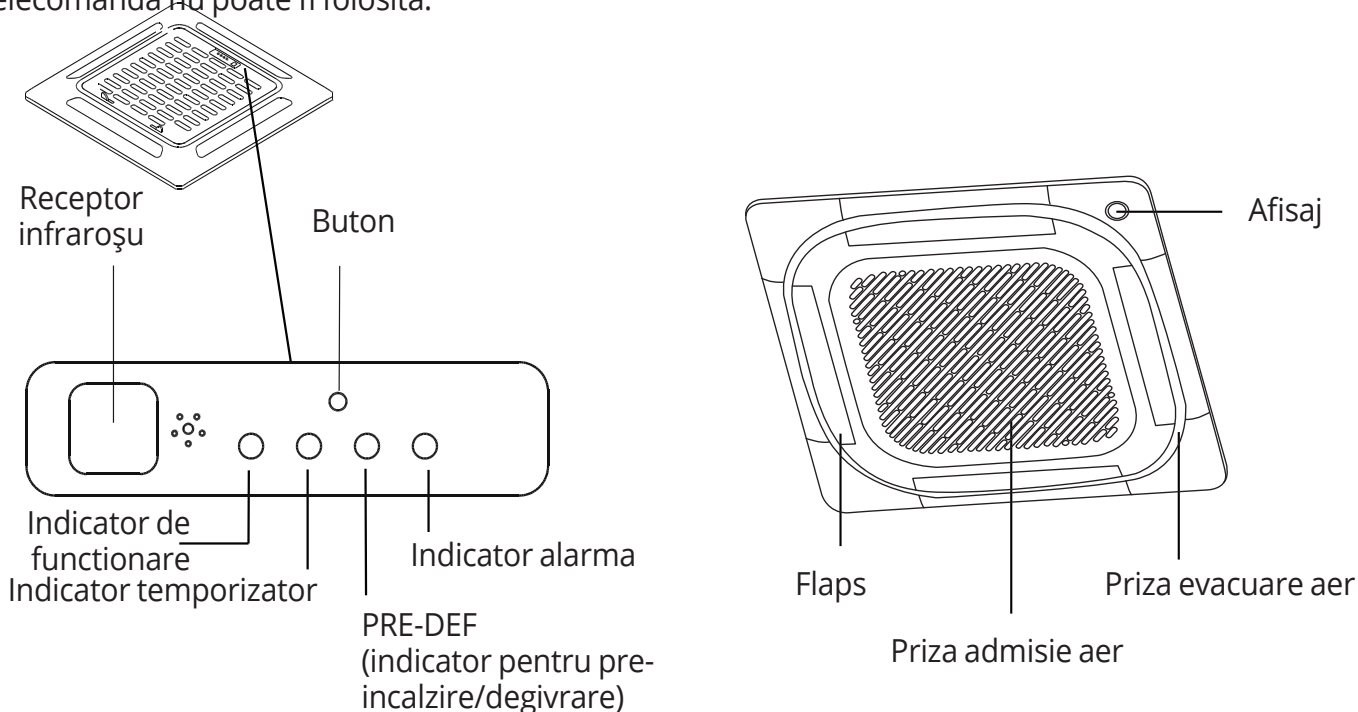


Fig. 3.1

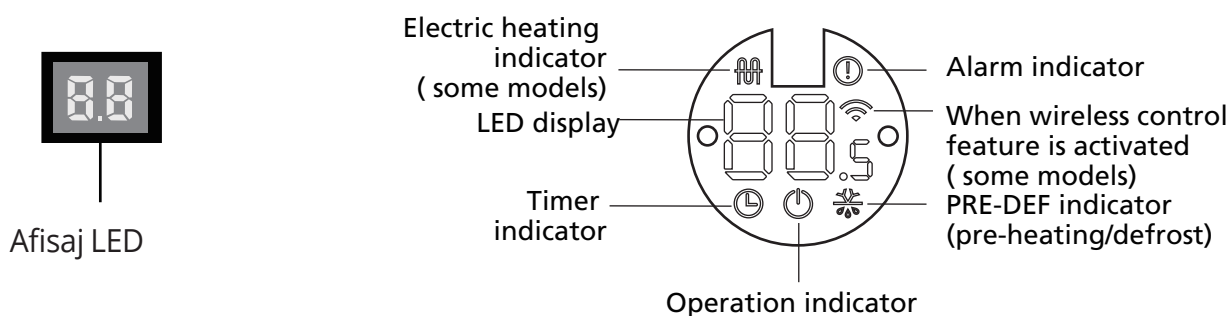


Fig. 3.2

- **Buton pentru operare manuala:** cu acest buton puteti selecta modul de functionare in ordinea urmatoare AUTO- FORCED COOL- OFF.
- **FORCED COOL:** in modul FORCED COOL, indicatorul de functionare se va aprinde intermitent. Dupa racirea fortata, la viteza crescuta, pe o perioada de 30 de minute, aparatul se va trece automat in modul AUTO. In timpul functionarii in FORCED COOL, telecomanda este dezactivata.
- **Modul OFF:** Atunci cand panoul este oprit, aparatul se va opri si telecomanda va fi reactivata.

## Masuri de siguranta

- Pentru lucrari de mententanta, contactati doar departamentul de service autorizat. Reparatia sau mentenanta incorecta poate produce scurgeri de apa, soc electri sau incendiu si va duce la anularea garantiei.
- **NU** inlocuiti o siguranta arsa cu o siguranta cu specificatii necorespunzatoare (amperaj mai mare sau mai mic). Risc de incendiu sau defectiune a aparatului.
- Asigurati-va ca furtunul de scurgere este asezat respectand instructiunile. Risc de scurgeri, pagube materiale, incendiu sau soc electric.
- Asigurati-va ca circuitul electric este conectat corect. Pericol de soc electric sau incendiu

## Intretinerea unitatii

### **INAINTE DE A INCEPE LUCRAREA DE MENTENANTA/CURATARE**

- Inainte de inceperea oricarei lucrari, opriti aparatul si scoateti-l din priza.
- **NU** folositi substante chimice sau materiale textile tratate chimic pentru a curat aparatul
- **NU** folositi benzen, diluant sau pudra pentru lustruire. Suprafata se poate crapa/deforma.
- **NU** spalati unitatea sub jet de apa. Pericol de soc electric.
- **NU** folositi apa la o temperatura mai mare de 40 de grade pentru a curata panoul frontal. Acesta se poate decolora/deforma.
- Curatati unitatea folosind un detergent delicat si o carpa umeda, fara scame. Uscati unitatea cu ajutorul unei carpe uscate, fara scame.

## CURATAREA FILTRULUI DE AER

Filtrul previne accesul prafului si al diverselor particule in interiorul unitatii. Acumularea de praf duce la scaderea performantei aparatului. Pentru eficienta optima, curatati filtrul cel putin o data la 2 saptamani, mai frecvent daca locuiti intr-o zona cu mult praf. In cazul in care nu puteti curata filtrul, inlocuiti-l cu unul nou.



### **AVERITZARE: NU INLATURATI SI NU CURATATI FILTRUL DE AER, SINGUR**

Demontarea si curatarea filtrului pot fi actiuni periculoase. Demontarea si intretinerea aparatului trebuie facute de catre un tehnician autorizat.

**NOTA:** In cazul locuintelor in care traiesc si animale, stergeti grila frontala periodic pentru a evita blocarea sistemului cu par.

1. Deblocati grila prin apasarea celor 2 butoane, simultan, catre mijloc si inainte.
2. Deconectati cablul afisajului din cutia de control.

Apasati butoanele pentru deblocarea grilei

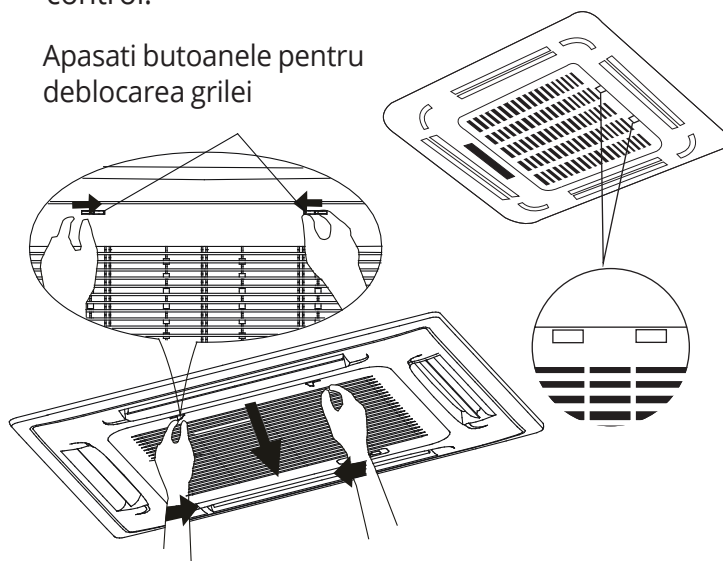


Fig. 4.1

3. Detasati grila, tinand-o la un unghi de 45 de grade, ridicand usor si tragand.

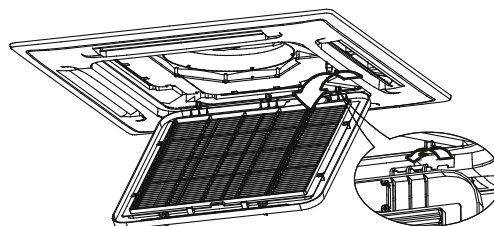
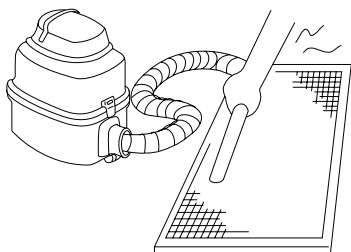


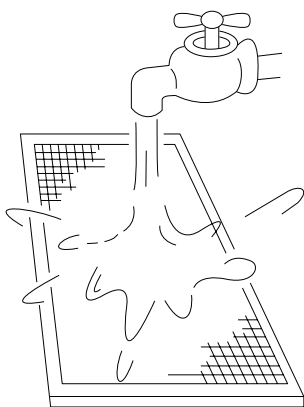
Fig. 4.2

4. Demontati filtrul de aer
5. Curatati filtrul de aer cu ajutorul unui aspirator sau prin spalare in apa calda cu un detergent delicat.
  - A. In cazul in care folositi aspiratorul, curatati partea interioara a filtrului.



**Fig. 4.3**

- B. Daca veti curata filtrul cu apa, partea exterioara a filtrului va fi indreptata catre jetul de apa.



**Fig. 4.4**

6. Clatiti filtrul cu apa curata si permiteti uscarea naturala. **NU** expuneti filtrul direct in lumina solara.
7. Montati filtrul.
8. Montati grila frontala si conectati cablul de conectare al afisajului.

## Repararea scurgerilor de freon

### **!** AVERTIZARE

- In cazul unei scurgeri de agent frigorific, opriti aparatul si orice alt echipament pentru incalzire, aerisiti camera si sunati distribuitorul imediat. Agentul frigorific este atat inflamabil cat si toxic. **NU** FOLOSITI APARATUL pana acesta nu a fost reparat.
- Cand aparatul de aer conditionat este instalat intr-o incapere cu o suprafata mica, luati masuri suplimentare de prevenire a dezvoltarii unei concentratii mari de agent frigorific in cazul unei scurgeri. Concentratia prezinta o amenintare serioasa asupra sigurantei si poate produce probleme grave de sanatate.

### Sistemul de detectare a scurgerilor de agent frigorific. (unele modele)

- In cazul unei scurgeri, display-ul LCD va afisa mesajul "EC" si indicatorul LED se va aprinde intermitent.

### Pregatiri in vederea opriri functionarii pentru perioade lungi de timp

#### Mentenanata dupa o perioada indelungata in care aparatul nu a fost folosit.

1. Inlaturati orice obstacol care blocheaza prizele de admisie/evacuare a aerului, atat la unitatea interioara cat si la cea exterioara.
2. Curatati atat filtrul de aer cat si grila frontala a unitatii interioare. Montati filtrul in pozitia originala, dupa ce a fost curatat si uscat.
3. Conectati aparatul la reseaua de energie electrica, cu cel putin 12 ore inainte de a-l porni spre folosinta.

#### Pastrarea aparatului atunci cand nu este folosit.

1. Folositi aparatul in modul FAN entru 12 ore, intr-o camera calda, pentru a-l usca si a preveni aparitia mucegaiului.
2. Opriti aparatul si scoateti-l din priza.
3. Curatati filtrul conform instructiunilor. Montati filtrul in pozitia originala dupa ce a fost curatat si uscat.
4. Scoateti bateriile din telecomanda.



## ATENTIE

In cazul aparitiei uneia dintre situatiile de mai jos, opriti alimentarea cu energie electrica a aparatului si contactati imediat departamentul de service:

- LED-ul semnalizator al alimentarii se aprinde intermitent, rapid, dupa ce unitatea a fost pornita
- Butoanele telecomenzii nu functioneaza
- Aparatul declanseaza in continuu sigurantele panoului electric.
- Obiecte straine sau apa au patruns in interiorul aparatului
- Alte situatii anormale.

## Situatii comune

Simptomele prezentate mai jos nu reprezinta defectiuni si pot fi rezolvate de catre dvs, fara a fi nevoie de reparatii.

Prezentare	Posibile cauze
<b>Aparatul nu porneste atunci cand este apasat butonul ON/OFF</b>	Aparatul are o perioada de protectie de 3 minute, ce previne suprasolicitarea aparatului. In aceasta perioada, aparatul nu poate fi pornit.
	In timpul functionarii in modul COOL si HEAT: daca semnalul LED si indicatorul PRE-DEF(pre-incalzire/degivrare) sunt aprinse, temperatura exterioara este prea scazuta si protectia anti-inghetare a unitatii este activata pentru a degivra unitatea.
	Pentru modelele care au disponibil doar modul COOL (racire): Daca indicatorul „FAN ONLY” este aprins, functia de degivrare a fost activata datorita temperaturii scazute din exterioara.
<b>Unitatea trece din modul COOL in modul FAN</b>	Aceasta schimbare este datorata protectiei anti-inghet. Aceasta protectie, previne formarii ghetii pe unitate. Odata ce temperatura creste, unitatea va functiona normal.
	Temperatura aleasa a fost atinsa si compresorul se va opri. Compresorul va fi repornit cand temperatura se schimba
<b>Unitatea interioara degaja o ceata alba</b>	In regiuni umede, diferenta mare de temperatura incaperii si temperatura unitatii interioare, poate degaja o ceata alba.

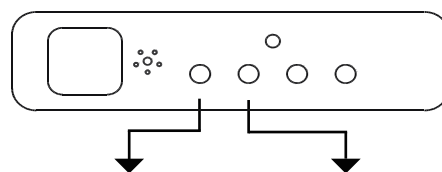
Prezentare	Posibile cauze
<b>Atat unitatea interioara cat si cea exterioara degaja ceata alba</b>	La repornirea in modul HEAT, dupa degivrare, ceata alba poate fi degajata datorita umiditatii generata de procesul de degivrare.
<b>Unitatea interioara emite zgomote</b>	Un sunet scartait este produs atunci cand aparatul este oprit sau cand functioneaza in modul COOL. Zgomotul se poate produce si cand pompa de scurgere (dispozitiv optional), este operationala.
	Un sunet scartait se poate auzi dupa ce ati folosit aparatul in modul HEAT. Acest sunet este produs de dilatarea si contractarea partilor componente din plastic.
<b>Atat unitatea interioara cat si cea exterioara produc zgomote</b>	Un susnet sasait poate fi produ in timpul functionarii. Acesta este un fenomen normal, datorat circularii agentului frigorific prin conductele unitatilor.
	Un susnet sasait de intensitate scazuta poate fi auzit atunci cand sistemul este pornit, oprit, functional sau in timpul degivrarii. Sunetul este cauzat de agentul frigorific la oprire sau la schimbarea directiei prin conductele unitatilor.
<b>Unitatea exterioara emite zgomote</b>	Aparatul genereaza zgomote in functie de modul de functionare.
<b>Unitatea interioara sau cea exterioara degaja praf</b>	In cazul neutilizarii aparatului pentru o perioada lunga de timp, praful se poate acumula. Acesta va fi eliminat la repornire. Pentru a preveni acest fenomen, puteti acoperii unitatile.
<b>Unitatile produc mirosuri neplacute</b>	Unitatile vor absorbi mirosuri din mediul inconjurator (gatit, fum de tigara, etc.), care pot fi degajate in timpul functionarii.
	Filtrele au prins mucegai si trebuie curatate.
<b>Ventilatorul unitatii exterioare nu functioneaza</b>	In timpul functionarii, viteza ventilatorului este controlata automat pentru a optimiza functionarea.

## Sfaturi de depanare

La aparitia acestor probleme, verificati lista inainte de a suna departamentul de service.

Prezentare	Posibile cauze	Solutia
<b>Aparatul nu functioneaza</b>	Pana de curent	Asteptati pana energia electrica revine.
	Aparatul este oprit	Porniti aparatul
	Siguranta arsa	Inlocuiti siguranta
	Bateriile telecomenzii sunt descarcate	Inlocuiti bateriile
	A fost activata protectia de 3 minute.	Asteptati 3 minute pana sa reporniti aparatul
<b>Performanta scazuta la racire</b>	Temperatura setata se poate sa fie mai mare decat temperatura incaperii.	Scadeti temperatura setata
	Dispozitivul pentru transferul caldurii, echipat pe unitatea interioara, este murdar.	Curatati dispozitivul de transfer de caldura, afectat.
	Filtrul este murdar	Demontati si curatati filtrul, conform instructiunilor
	Gurile de admisie/evacuare a aerului sunt blocate.	Opriti aparatul, inlaturati obstacolul si porniti aparatul.
	Usile si ferestrele sunt deschise	Asigurati-va ca toate usile si ferestrele sunt inchise in timpul functionarii
	Caldura excesiva generata de lumina solara	Inchideti ferestrele si trageți draperiile in perioade cu temperaturi foarte ridicate sau lumina solara foarte puternica.
	Nivel scazut al agentului frigorific, cauzat de o scurgere sau folosire indelungata.	Verificati daca exista scurgeri, resigilati si completati cu agent frigorific.
<b>Unitatea se opreste si porneste frecvent</b>	Prea mult sau prea putin agent frigorific	Verificati daca exista scurgeri si completati cu agent frigorific.
	Sistemul a fost contaminat cu aer, gaz sau alte materii straine	Purjati sistemul si reumpleti cu agent frigorific
	Circuitul este blocat	Detectati circuitul defect si inlocuiti piesa.
	Compresorul este defect	Inlocuiti compresorul
	Tensiunea nu este conforma (prea scazuta sau prea crescuta)	Instalati un stabilizator de tensiune
<b>Performanta scazuta la incalzire</b>	Temperatura exterioara este sub 7°C (44.5°F)	Verificati daca exista scurgeri si completati cu agent frigorific.
	Aerul rece patrunde in incapere prin usi sau ferestre.	Mentineti usile si ferestrele inchise pe durata folosirii
	Nivel scazut al agentului frigorific, cauzat de o scurgere sau folosire indelungata.	Verificati daca exista scurgeri, resigilati si completati cu agent frigorific.

## • Model Inverter



Nr. Crt.	Cauza	Indicator Operare	Indicator temporizator	Codul erorii
1	Eroare EEPROM intern	1	Off	<b>EH 00/ EH 0A</b>
2	Eroare de conexiune intre unitatea exterioara si cea interioara	2	Off	<b>EL 01</b>
3	Eroare a ventilatorului la reglarea virezei	4	Off	<b>EH 03</b>
4	Eroare a senzorului intern de temperatura	5	Off	<b>EH 60</b>
5	Eroare la senzorul de temperatura al evaporaturului	6	Off	<b>EH 61 / EC 56</b>
6	Defectiune a senzorului pentru detectarea scurgerilor	7	Off	<b>EL 0C</b>
7	Defectiune a alarmei pentru nivelul apei	8	Off	<b>EH 0E</b>
8	Eroare de conexiune intre unitatile interne (doar pentru sistemele TWIN).	9	Off	<b>EH 0b</b>
9	Protectie la supratensiune	1	Off	<b>F0</b>
10	Eroare a senzorului extern de temperatura	2	On	<b>EC 53</b>
11	Eroare la senzorul condensatorului extern.	3	On	<b>EC 52</b>
12	Eroare la senzorul dispozitivului de evacuare a aerului.	4	On	<b>EC 54</b>
13	Eroare EEPROM extern	5	On	<b>EC 51</b>
14	Defectiune la motorul ventilatorului extern	6	On	<b>EC 07</b>
15	Protectie IPM a blocului inverter	1	Flash	<b>PC 00</b>
16	Protectie la sub/supra tensiune	2	Flash	<b>PC 01</b>
17	Protectie la supraincalzirea compresorului	3	Flash	<b>PC 02</b>
18	Eroare compresor	5	Flash	<b>PC 04</b>
19	Conflict moduri de functionare	6	Flash	<b>--</b>
20	Protectie la presiune scazuta pentru compresor	7	Flash	<b>PC 03</b>
21	Eroare senzol IGBT extern	8	Flash	<b>EC 0d</b>

## Directivile europene pentru eliminarea deseului

6

Utilizatorii din tarile europene pot fi obligati sa elimine acest produs in anumite conditii. Acest aparat contine agent frigorific si alte materiale nocive. Legea impune colectarea si tratamentul special al acestui tip de dese. **NU ARUNCATI** acest aparat impreuna cu deseul municipal.

### La eliminarea acestui aparat, respectati urmatoarele aspecte:

- Lasati acest aparat intr-o unitate speciala de colectare a deseurilor electronice.
- La cumpararea unui aparat nou, vanzatorul va poate ridica gratuit echipamentul vechi.
- Producatorul va poate ridica produsul vechi gratuit.
- Puteti vinde aparatul catre firmele care se ocupa cu colectarea fierului vechi.

**NOTA:** Aruncarea acestui aparat in padure sau alte locuri din natura, dauneaza mediului inconjurator. Substantele nocive pot ajunge in panza freatica si in alimente.



---

Toate imaginile din acest manual, au scop pur informativ. Forma reala a produsului pe care l-ati cumparat poate fi usor diferita insa functiile si operatiile sunt aceleasi. Compania nu isi asuma nici o responsabilitate pentru greselile de tipar. Aspectul fizic si specificatiile tehnice se pot schimba fara o notificare prealabila datorita imbunatatirii continue a echipamentelor noastre.

Pentru mai multe detalii, va rugam sa contactati producatorul la numarul de telefon : +30 211 300 3300, sau vanzatorul echipamentului. Toate actualizarile acestui manual vor fi disponibile pe website-ul nostru si va recomandam sa verificati intotdeauna pentru aparitia unei noi versiuni.



Scanati codul QR pentru a descarca ultima versiune a manualului.  
[www.inventoraerconditionat.ro/biblioteca-media](http://www.inventoraerconditionat.ro/biblioteca-media)

# Activeaza-ti garantia

Urmeaza pasii de mai jos pentru activarea garantiei:

## PASUL 1

Viziteaza site-ul nostru urmand linkul:

<https://www.inventoraerconditionat.ro/certificatul-de-garantie-inventor-aer-conditionat-si-electrocasnice>

sau scaneaza cu telefonul tau codul QR de mai jos:



## PASUL 2

Completeaza campurile "Detaliile cumparatorului" si "Detaliile aparatului":

Pentru a activa garantia va rugam sa completati urmatoarele campuri

Detalii cumparatorului	Detalii aparatului
Detalii proprietar	Detalii unitate
Nume	Tip
Adresa*	Numarul de Serie al aparatului*

## PASUL 3

Dati clic pe butonul TRIMITE, situat in partea stanga jos a formularului de completare a datelor:

Abonati-va la Newsletter-ul Inventor

Imediat ce formularul pentru garantie a fost completat un mesaj de confirmare va fi trimis pe adresa ta de email

**TRIMITE** acceptati Termenii si Conditile.

## PASUL 4

Un email de confirmare va fi trimis la adresa de email pe care ati declarat-o. In cazul in care nu ati primit un email avem rugamintea sa verificati de asemenea si folderul Spam.

## PASUL 5

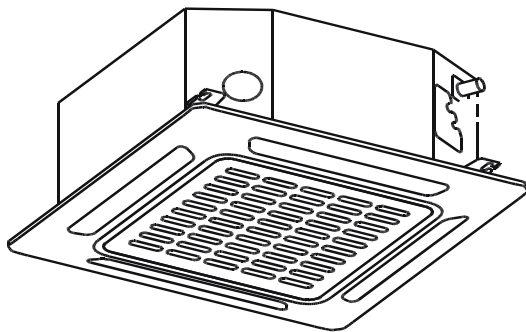
Ati activat cu succes Garantia Inventor!

# Inhaltsverzeichnis

## Benutzerhandbuch

1 Sicherheitsvorkehrungen .....05

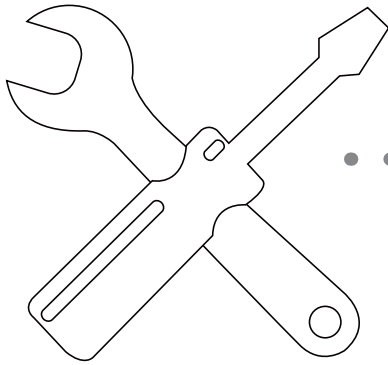
2 Bauteile und Hauptfunktionen  
der Inneneinheit.....08



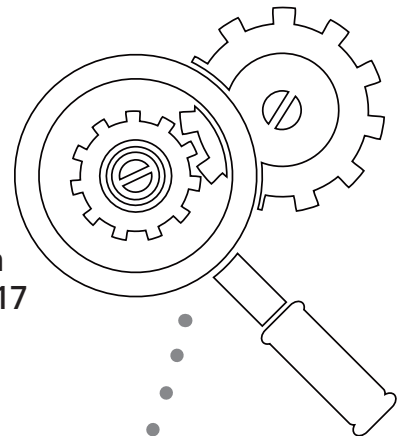
3 Manuelle Funktionen..... 10



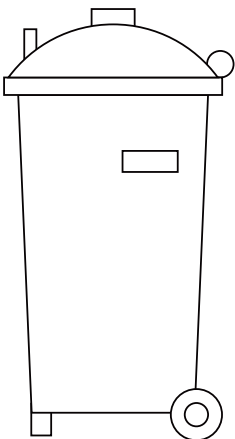
<b>4</b>	<b>Pflege und Wartung .....</b>	<b>11</b>
	Wartung des Geräts .....	11
	Luftfilterreinigung .....	11
	Reparatur von Kühlmittelausflüssen.....	12
	Vorbereitung für Stillstandzeiten.....	12



<b>5</b>	<b>Fehlerbehebung .....</b>	<b>13</b>
	Häufige Störungen .....	13
	Tipps zur Fehlerbehebung.....	15



<b>6</b>	<b>Anweisungen zur Entsorgung innerhalb der Europäischen Union .....</b>	<b>17</b>
----------	--	-----------



**Vorsicht: Brandgefahr/  
Entzündliche Materialien**

**WARNUNG** Der Service darf nur in der vom Hersteller empfohlenen Weise durchgeführt werden. Arbeiten zur Wartung und Reparatur, für welche die Hilfe einer anderen Fachperson erforderlich ist, müssen unter Aufsicht der Person erfolgen, die für den Umgang mit entzündlichen Kühlmitteln verantwortlich ist. Weitere Informationen finden Sie in den Serviceinformationen im INSTALLATIONSHANDBUCH. (Nur für Geräte, bei denen Kühlmittel R32/R290 eingesetzt wird, erforderlich)



# Sicherheitsvorkehrungen

# 1

Vielen Dank, dass Sie sich für ein Inventor-Produkt entschieden haben. Dieses Benutzerhandbuch enthält nützliche Tipps zum Bedienen, Warten und Beheben von Fehlern der Klimaanlage. Durch Befolgen der Anweisungen stellen Sie sicher, dass Ihre Klimaanlage ordnungsgemäß funktioniert und eine längere Lebensdauer hat.

## **Vor Beginn der Installationsarbeiten, bitte sorgfältig die Sicherheitsvorkehrungen lesen**

Eine fehlerhafte Installation aufgrund der Nichtbeachtung der Anweisungen kann zu schweren Schäden oder Verletzungen führen. Die Schwere des eventuellen Schadens oder der Verletzung wird entweder als Warnung oder Vorsicht angegeben.



**WARNUNG**

**Die Nichtbeachtung der Anweisungen kann zum Tod führen. Das Gerät muss gemäß den nationalen Vorschriften installiert werden.**



**VORSICHT**

**Die Nichtbeachtung der Anweisungen kann zu Verletzungen oder Schäden am Gerät führen.**



**Dieses Symbol weist darauf hin, dass Sie die aufgeführte Aktion niemals ausführen sollten.**



## **WARNUNG**

1. Wenden Sie sich zur Installation der Klimaanlage an Ihren Handelsvertreter. Eine falsche Installation kann zu Wasserlecks, Stromschlag oder Brand führen.
2. Die Garantie erlischt, wenn die Klimaanlage nicht ordnungsgemäß installiert wurde.
3. Treten während des Betriebs Abnormalitäten auf (z.B. Brandgeruch), schalten Sie das Gerät aus und trennen Sie es vom Stromnetz. Wenden Sie sich an Ihren Handelsvertreter, um Anweisungen zur Vermeidung eines Stromschlags, Brands oder Verletzungen zu erhalten.
4. Lassen Sie die Inneneinheit und die Fernbedienung **NICHT** nass werden. Dies kann einen Stromschlag oder Brand zur Folge haben.
5. Stecken Sie **NICHT** Ihre Finger, Stangen oder andere Gegenstände in den Lufteinlass oder -auslass. Dies kann zu Verletzungen führen, da sich der Ventilator mit hoher Geschwindigkeit dreht.
6. Verwenden Sie **KEINE** brennbaren Materialien, wie Haarspray, Lack oder Farbe in der Nähe des Geräts. Dies kann zu einem Brand oder einer Explosion führen.
7. Das Gerät sollte so gelagert werden, dass mechanische Beschädigungen vermieden werden.
8. Sie müssen die nationalen Gasvorschriften einhalten.
9. Blockieren Sie nicht die Lüftungsöffnungen.
10. Jede Person, die Arbeiten an Kühlmittelleitungen ausführt bzw. in diese eingreift, muss im Besitz eines gültigen Zertifikats einer akkreditierten Bewertungsstelle sein, das die Eignung der Person für den sicheren Umgang mit Kühlmitteln genehmigt. Das Zertifikat muss gemäß einem branchenweit anerkannten Bewertungsstandard ausgestellt worden sein.
11. Der Service sollte nur in der vom Hersteller empfohlenen Weise durchgeführt werden. Arbeiten zur Wartung und Reparatur, für welche die Hilfe einer anderen Fachperson erforderlich ist, müssen unter Aufsicht der Person erfolgen, die für den Umgang mit entzündlichen Kühlmitteln verantwortlich ist.
12. Dieses Gerät darf nicht von Personen (einschließlich Kindern) mit eingeschränkten körperlichen, intuitiven oder geistigen Fähigkeiten oder Personen ohne Erfahrung und Kenntnissen benutzt werden, außer wenn diese von einer für ihre Sicherheit verantwortliche Person betreut werden oder Anweisungen bezüglich des sicheren

Gebrauchs des Geräts erhalten haben. Kinder müssen beaufsichtigt werden, um sicherzustellen, dass Sie nicht mit dem Gerät spielen (Vorschriften des IEC Standards).

13. Dieses Gerät kann von Kindern ab 8 Jahren, Personen mit eingeschränkten körperlichen, intuitiven oder geistigen Fähigkeiten oder Personen ohne Erfahrung und Kenntnissen benutzt werden, wenn diese einer geeigneten Aufsicht oder Führung bezüglich des sicheren Gebrauchs des Geräts unterzogen worden sind und die diesbezüglichen Gefahren verstanden haben. Kinder dürfen nicht mit dem Gerät spielen. Die Reinigung und Wartung darf nicht von Kindern ohne Aufsicht durchgeführt werden. (Vorschriften des EN Standards).
14. Wenn das Netzkabel beschädigt ist, muss es vom Hersteller, seinem Servicevertreter oder von einer anderen entsprechend qualifizierten Person ersetzt werden, um Gefahren zu vermeiden.
15. Das Gerät muss gemäß den nationalen Bestimmungen für elektrische Installationen installiert werden.
16. Die Festverdrahtung muss, gemäß den geltenden Verdrahtungsvorschriften, eine Trennvorrichtung mit einem Abstand von mindestens 3 mm über alle Pole und einem Leckstrom, der 10 mA überschreiten kann, umfassen, mit einem Fehlerstromschutzschalter (RCD) mit einem Bemessungsfehlerstrom von nicht mehr als 30 mA.
17. Setzen Sie Ihre Anlage **NICHT** über längere Zeiträume direkt der kalten Luft aus.
18. Betreiben Sie die Klimaanlage nicht in Bereichen in der Nähe oder im Umfeld von Abgasen. Abgase können sich um das Gerät herum ansammeln und eine Explosion verursachen.
19. In manchen Betriebsumfeldern, wie Küchen, Rechenzentren usw., wird die Nutzung von speziell ausgelegten Klimaanlagen empfohlen.

## **VORSICHT**

1. Die Öffnung des Luftauslasses **NICHT** bei laufendem Ventilator berühren. Dies kann zum Einklemmen Ihrer Finger oder zur Beschädigung des Geräts führen.
2. Führen Sie die Geräteinspektion **NICHT** selbst durch. Lassen Sie die Inspektion von einem autorisierten Handelsvertreter durchführen.
3. Verwenden Sie die Klimaanlage nicht zu Aufbewahrungszwecken (Lagerung von Lebensmitteln, Pflanzen, Tieren, Kunstwerken usw.), da dies die Leistungsfähigkeit des Produkts beeinträchtigen kann.
4. Berühren Sie **NICHT** die Verdampferwicklungen in der Inneneinheit. Die Verdampferwicklungen sind scharf und können Verletzungen verursachen.
5. Bedienen Sie die Klimaanlage **NICHT** mit nassen Händen. Dies kann einen Stromschlag zur Folge haben.
6. Legen Sie **KEINE** Gegenstände unter die Inneneinheit, die durch Feuchtigkeit beschädigt werden können. Bei einer relativen Luftfeuchtigkeit von 80% kann Wasserdampf kondensieren.
7. Setzen Sie wärmeerzeugende Geräte **NICHT** kalter Luft aus und stellen Sie diese nicht unter die Inneneinheit. Es kann zu unvollständiger Verbrennung oder Verformung des Geräts aufgrund von Hitze kommen.
8. Nach längerem Gebrauch muss die Inneneinheit auf Bauteilschäden überprüft werden. Wenn die Inneneinheit beschädigt ist, kann sie herunterfallen und Verletzungen verursachen.
9. Wenn die Klimaanlage zusammen mit anderen Heizgeräten verwendet wird, muss der Raum gut belüftet sein, um einen Sauerstoffmangel zu vermeiden.
10. Klettern Sie **NICHT** auf die Außeneinheit und stellen Sie keine Gegenstände darauf.
11. Betreiben Sie die Klimaanlage **NICHT** während Sie rauchproduzierende Insektizide verwenden. Das Gerät kann eine Schicht aus Chemikalien bilden und Personen gefährden, die überempfindlich auf diese Chemikalien reagieren.
12. Erlauben Sie Kindern **NICHT** mit der Klimaanlage zu spielen.

## **VORSICHT**

13. Verwenden Sie die Klimaanlage **NICHT** in Räumen mit hoher Luftfeuchtigkeit (z.B. in Bädern oder Waschküchen). Dies kann einen Stromschlag und eine Beeinträchtigung der Leistungsfähigkeit des Produkts verursachen.
14. Schalten Sie das Gerät aus und trennen Sie es vom Netz, falls Sie dieses über einen längeren Zeitraum nicht nutzen.
15. Schalten Sie bei Gewittern das Gerät aus und trennen Sie es vom Netz.
16. Klettern Sie **NICHT** auf die Außeneinheit und stellen Sie keine Gegenstände darauf.
17. Lassen Sie die Klimaanlage **NICHT** über einen längeren Zeitraum bei offenen Türen oder Fenstern oder bei sehr hoher Luftfeuchtigkeit laufen.

## **WARNHINWEISE ZUR REINIGUNG UND WARTUNG**

1. Schalten Sie vor der Reinigung das Gerät aus und ziehen Sie den Stecker. Andernfalls kann es zu einem Stromschlag kommen.
2. Reinigen Sie die Klimaanlage nicht mit großen Wassermengen.
3. Reinigen Sie die Klimaanlage nicht mit leicht entzündlichen Reinigungsmitteln. Entzündliche Reinigungsmittel können Brand oder Verformungen am Gerät verursachen. Schalten Sie vor der Reinigung das Gerät aus und ziehen Sie den Stecker. Andernfalls kann es zu einem Stromschlag kommen.

## **WARNHINWEISE ZU ELEKTRISCHEN GEFAHREN**

1. Verwenden Sie nur das vorgesehene Netzkabel. Wenn das Netzkabel beschädigt ist, muss es vom Hersteller oder vom Servicevertreter ausgetauscht werden.
2. Halten Sie den Netzstecker sauber. Entfernen Sie eventuellen Staub oder Schmutz, der sich auf oder um den Stecker herum ansammelt, da es anderenfalls zu einem Kurzschluss oder Stromschlag kommen kann.
3. Ziehen Sie nicht am Netzkabel, um das Gerät vom Strom zu trennen. Halten Sie den Stecker fest und ziehen Sie ihn aus der Steckdose. Wenn Sie direkt am Kabel ziehen, kann dieses beschädigt werden, was zu einem Stromschlag oder Brand führen kann.
4. Verwenden Sie kein Verlängerungskabel, verlängern Sie das Netzkabel nicht per Hand und schließen Sie keine weiteren Geräte an denselben Stecker an, an den die Klimaanlage angeschlossen ist. Schlechte elektrische Anschlüsse, schlechte Isolation oder unzureichende Spannung können zu Brand führen.

**HINWEIS:** Für Klimageräte und Wärmepumpen mit einer Kühlleistung von über 12 kW, siehe die technischen Informationen im Anhang. (Produkte der Europäischen Union).

# Komponenten und Hauptfunktionen der Inneneinheit

## Komponenten der Einheit

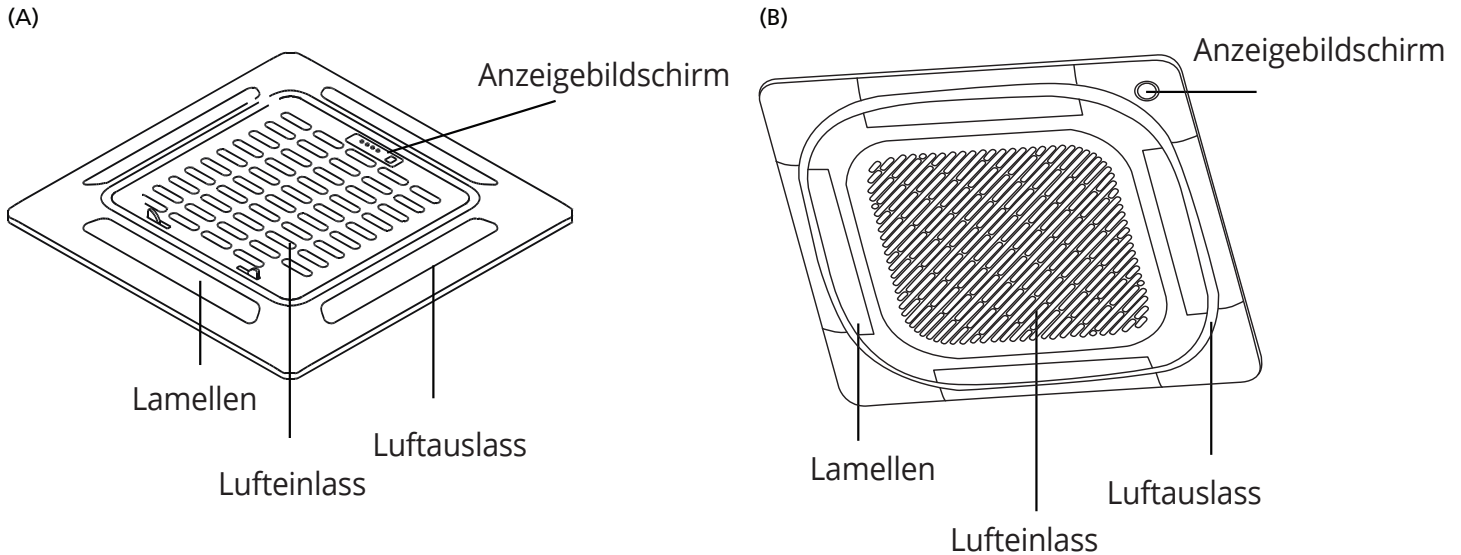


Abb.2.1

## Betriebsbedingungen

Für einen sicheren und effizienten Betrieb, verwenden Sie das System bei folgenden Temperaturen. Wenn die Klimaanlage unter anderen Bedingungen verwendet wird, kann dies zu Funktionsstörungen führen oder die Leistung beeinträchtigen.

### • Inverter-Klimaanlage

	COOL-Modus (Kühlung)	HEAT-Modus (Heizung)	DRY Modus (Entfeuchtung)
<b>Innen- temperatur</b>	16°C - 32°C (60°F - 90°F)	0°C - 30°C (32°F - 86°F)	10°C - 32°C (50°F - 90°F)
<b>Außen- temperatur</b>	-15°C - 50°C (5°F - 122°F)  (Modelle mit niedriger Kühltemperatur)	-15°C - 24°C (5°F - 75°F)	0°C - 50°C (32°F - 122°F)

**FÜR AUSSENEINHEITEN**  
MIT elektrischem  
Hilfswiderstand. Wenn die  
Außentemperatur unter 0 °C  
(32 °F) beträgt, empfehlen  
wir die Anlage stets am  
Stecker angeschlossen  
zu halten, um eine  
gleichmäßige konstante  
Leistung zu gewährleisten.

## Technische Daten

### Standardwerkseinstellung

Wenn die Klimaanlage nach einem Stromausfall neu gestartet wird, gelten die Werkseinstellungen [Automatikbetrieb (AUTO), Automatikbetrieb (AUTO) des Flügelrads, 24 °C (76 °F)]. Dies kann zu Unstimmigkeiten der Anzeigen auf der Fernbedienung und dem Bedienfeld des Geräts führen. Verwenden Sie die Fernbedienung für jegliche weitere Einstellung.

### Automatischer Neustart

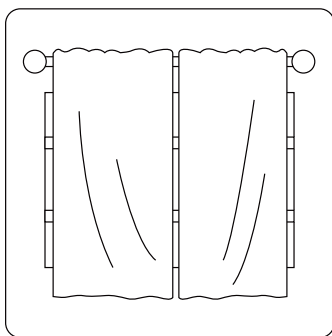
Bei einem Stromausfall wird der Systembetrieb sofort unterbrochen. Wenn die Stromversorgung wiederhergestellt ist, beginnt die Betriebskontrollleuchte an der Inneneinheit zu blinken. Um das Gerät neu zu starten, drücken Sie die Taste ON/OFF auf der Fernbedienung. Wenn das System über eine automatische Neustartfunktion verfügt, startet das Gerät automatisch mit denselben Einstellungen.

### Drei-Minuten-Schutz

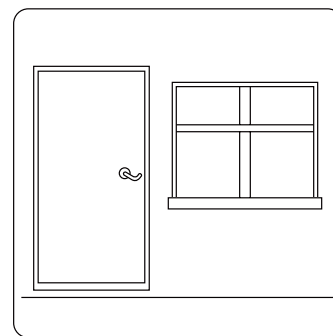
Eine Schutzfunktion verhindert, dass das Klimagerät für ca. 3 Minuten aktiviert wird, wenn es unmittelbar nach dem Betrieb neu startet.

## Tipps zur Energieeinsparung

- Stellen Sie das Gerät **NICHT** auf zu hohe Temperaturen ein.
- Während des Kühlbetriebs müssen Sie die Vorhänge schließen, um direktes Sonnenlicht zu vermeiden.
- Türen und Fenster müssen geschlossen bleiben, damit die kalte oder warme Luft im Raum bleiben kann.
- Stellen Sie **KEINE** Gegenstände in die Nähe der Lufteinlass- und Auslassöffnungen des Geräts. Dies reduziert die Leistung des Geräts.
- Stellen Sie eine Zeitschaltuhr ein und benutzen Sie, falls möglich, die integrierte Betriebsfunktion SLEEP/ECONOMY (Einstellung des Betriebs/Energiesparbetrieb).
- Wenn Sie das Gerät längere Zeit nicht benutzen, nehmen Sie die Batterien aus der Fernbedienung.
- Sie sollten den Luftfilter alle zwei Wochen reinigen. Wenn der Filter schmutzig wird, wird die Kühl- oder Heizleistung verringert.
- Stellen Sie die Lamellen richtig ein und vermeiden Sie direkten Kontakt mit dem Luftstrom.



Das Schließen der Vorhänge während des Heizens reduziert den Wärmeverlust



Türen und Fenster sollten geschlossen bleiben

### Speicherfunktion des Lamellenwinkels

Einige Modelle sind mit einer Lamellenwinkel-Speicherfunktion ausgestattet. Wenn die Klimaanlage nach einem Stromausfall neu startet, nimmt der Winkel der horizontalen Lamelle automatisch die vorherige Position ein. Der Winkel der horizontalen Lamellen sollte nicht auf einen zu niedrigen Wert eingestellt werden, da Wasserdämpfe kondensieren in das Gerät tropfen können. Drücken Sie die manuell gesteuerte Modustaste, um die Lamellen auf den ursprünglichen Winkel zurückzusetzen. Auf diese Weise werden die Einstellungen der Lamellen auf ihre ursprünglichen Werte zurückgesetzt.

### Kühlmittelaustritt-Kontrollsystem

Bei einem Austritt von Kühlmittel wird „EC“ auf dem LCD-Bildschirm angezeigt und die LED Kontrollleuchte beginnt zu blinken.

# Manuelle Funktionen

# 3

Das Display an der Inneneinheit kann verwendet werden, wenn die Fernbedienung verloren geht oder die Batterien nicht funktionieren.

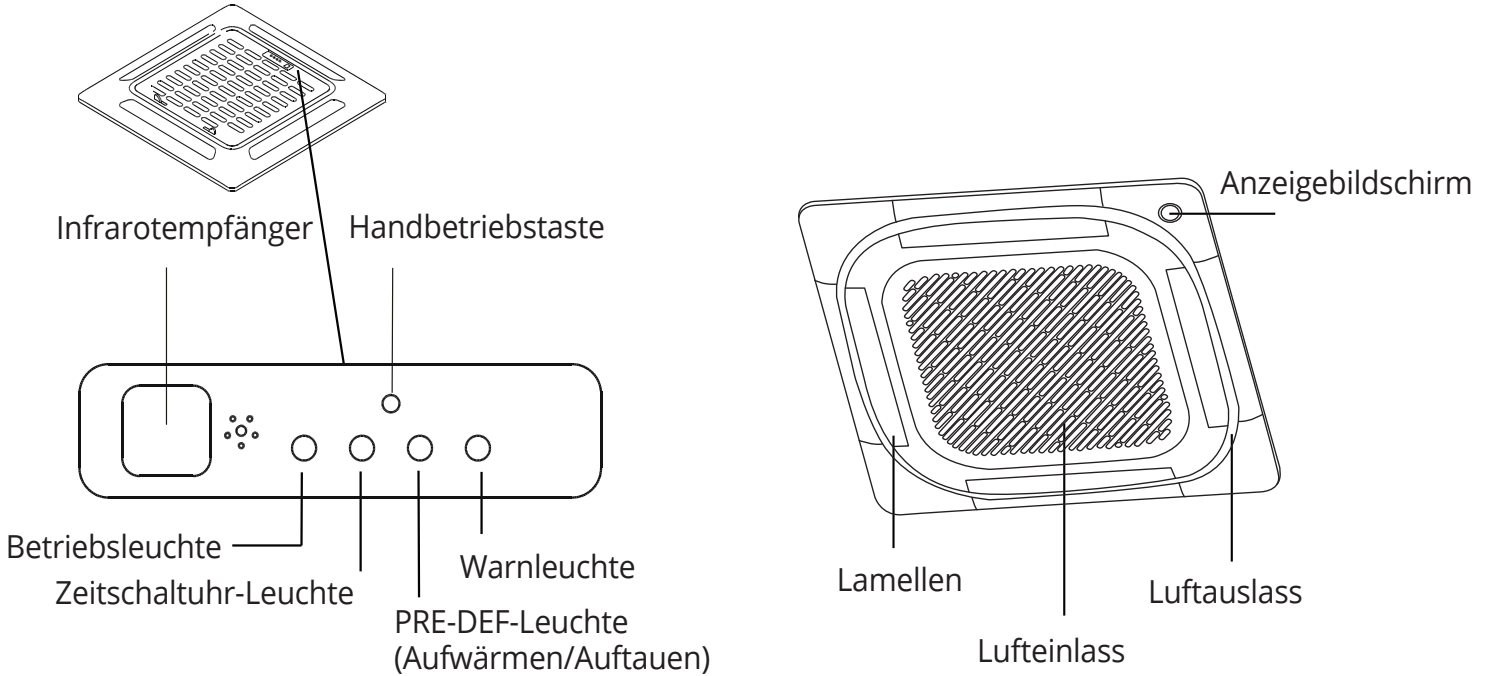


Abb. 3.1

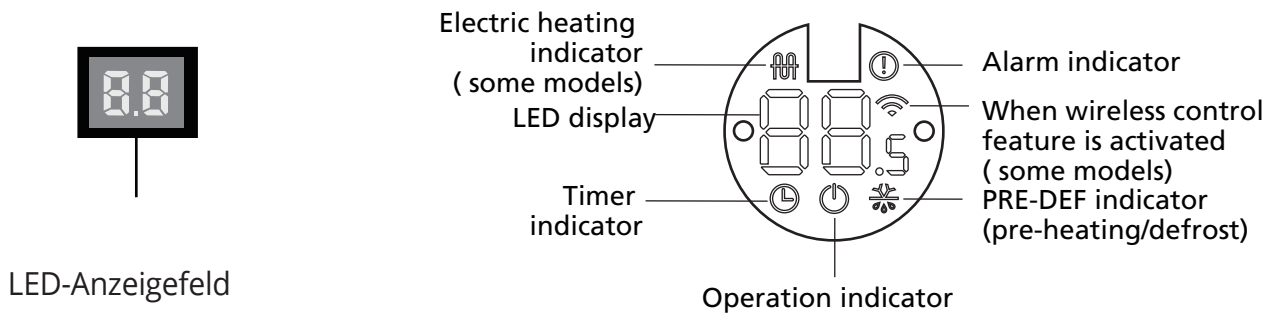


Abb. 3.2

- **Handbetriebstaste:** Zur Auswahl des Betriebsmodus in folgender Reihenfolge: AUTO (Automatisch), FORCED COOL (Zwangskühlung), OFF (Ausschalten).
- **FORCED COOL-Modus (Zwangskühlung):** Während des FORCED COOL-Modus blinkt die Betriebskontrollleuchte. Das System schaltet dann auf AUTO um, nachdem der Raum 30 Minuten lang mit Hochgeschwindigkeitsluftstrom gekühlt wurde. Während dieses Vorgangs schaltet sich die Fernbedienung aus.
- **OFF-Modus (Ausschalten):** Wenn im Bedienfeld die Einstellung OFF gewählt ist, wird das Gerät ausgeschaltet und die Fernbedienung wird wieder aktiviert.



## Sicherheitshinweise

- Wenden Sie sich zur Reparatur oder Wartung an ein lizenziertes Servicecenter. Wenn Reparatur und Wartung nicht ordnungsgemäß durchgeführt werden, kann es zu Wasserauslauf, Stromschlag oder Brand kommen.
- **Ersetzen Sie eine durchgebrannte Sicherung NICHT** durch eine andere Sicherung mit höherem oder niedrigerem Nennstrom, da dies zu einem Stromkreisschaden oder Brand führen kann.
- Stellen Sie sicher, dass das Abflussrohr gemäß den Anweisungen installiert wurde. Andernfalls kann ein Leck auftreten und Materialschäden, Brand und Stromschlag verursacht werden.
- Stellen Sie sicher, dass alle Kabel ordnungsgemäß angeschlossen sind. Wenn die Kabel nicht gemäß den Anweisungen angeschlossen werden, kann dies zu einem Stromschlag oder Brand führen.

## Wartung des Geräts

### ! VOR DER REINIGUNG ODER WARTUNG

- Vor der Reinigung oder Wartung sollten Sie die Klimaanlage immer ausschalten und von der Stromversorgung trennen.
- **Verwenden Sie KEINE** chemischen Stoffe oder chemisch behandelte Tücher, um das Gerät zu reinigen.
- **Verwenden Sie KEIN** Benzin, Verdünner, Polierpulver oder andere Lösungsmittel zur Reinigung des Geräts. Diese können Risse oder Verformungen auf der Kunststoffoberfläche verursachen.
- **Waschen Sie das Gerät NICHT** unter fließendem Wasser. Es besteht die Gefahr eines Stromschlags.
- **Verwenden Sie KEIN** Wasser mit einer Temperatur von mehr als 40 °C (104 °F) zur Reinigung der Frontplatte. Es kann eine Verformung oder Verfärbung der Frontplatte auftreten.
- Das Gerät mit einem feuchten, fusselfreien Tuch und einem neutralen Reinigungsmittel reinigen. Das Gerät mit einem trockenen Tuch abwischen.

## Luftfilterreinigung

Der Filter verhindert, dass Staub und andere Partikel in die Inneneinheit gelangen. Staubansammlung verringert die Leistung der Klimaanlage. Für eine optimale Leistung sollten Sie den Luftfilter alle zwei Wochen reinigen oder öfter, falls Sie in einer Gegend mit viel Staub wohnen. Wenn der Filter verstopft ist und nicht gereinigt werden kann, ersetzen Sie ihn durch einen neuen.

### ! **WARNUNG: ENTFERNEN ODER REINIGEN SIE DEN FILTER NICHT SELBST**

Das Entfernen und Reinigen des Filters birgt Gefahren. Das Entfernen und die Wartung müssen von einem zertifizierten Techniker durchgeführt werden.

**HINWEIS:** In Haushalten mit Tieren müssen Sie das Gitter regelmäßig von Tierhaaren reinigen, die den Luftstrom behindern.

1. Entsperren Sie das Gitter, indem Sie gleichzeitig die beiden Laschen in der Mitte drücken.
2. Trennen Sie das Bildschirm-Kabel vom Steuerkasten am Hauptgehäuse des Geräts.

Drücken Sie auf die Laschen, um das Gitter zu entfernen

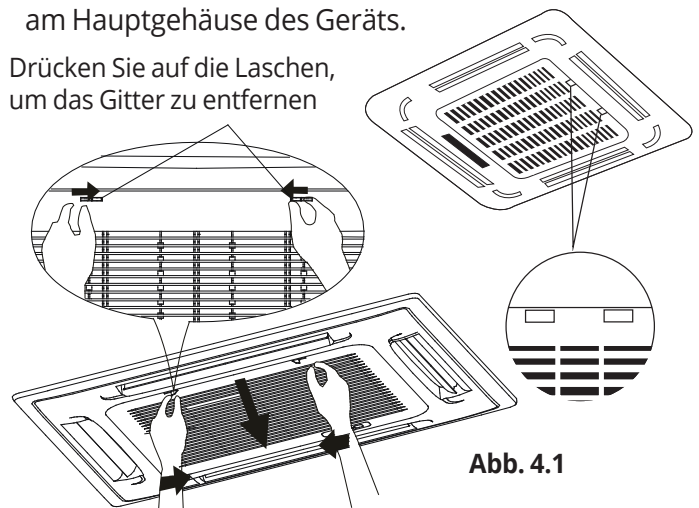


Abb. 4.1

3. Entfernen Sie das Gitter vom Hauptgerät: Halten Sie das Gitter in einem 45°-Winkel, heben Sie es leicht an und ziehen Sie es nach vorne.

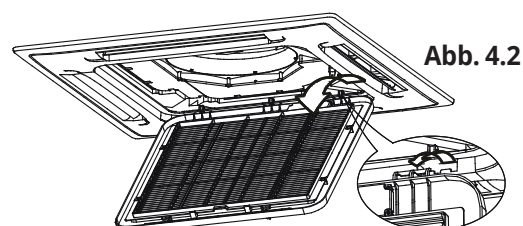


Abb. 4.2

4. Entfernen Sie den Luftfilter.
5. Reinigen Sie den Filter und seine Oberfläche mit einem Staubsauger oder durch Waschen mit warmem Wasser und einem milden Reinigungsmittel.
- A. Wenn Sie einen Staubsauger verwenden, sollte die Einschubseite zum Staubsauger zeigen.

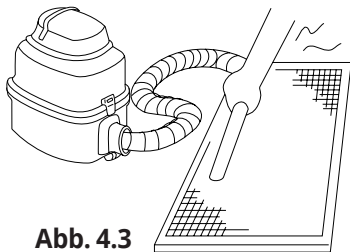


Abb. 4.3

Fig. 4.3

- B. Wenn Sie Wasser verwenden, muss die Einlassseite entgegen der Wasserströmung nach unten zeigen.

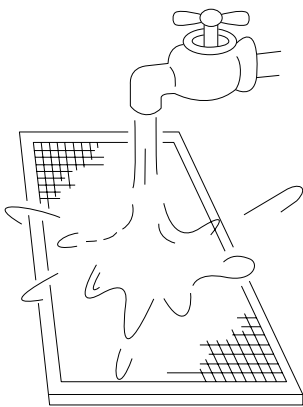


Fig. 4.4

Abb. 4.34

6. Spülen Sie den Filter mit klarem Wasser aus und lassen Sie ihn an der Luft trocknen. Lassen Sie den Filter **NICHT** bei direktem Sonnenlicht trocknen.
7. Setzen Sie den Filter erneut ein.
8. Bringen Sie das Frontgitter wieder an und schließen Sie das Bildschirm-Kabel wieder an den Steuerkasten am Hauptgehäuse des Geräts an.

## Reparatur von Kühlmittelaustritten

### ! WARNUNG

- Wenn Kühlmittel austritt, schalten Sie die Klimaanlage und jegliche andere Heizgeräte im Raum aus, lüften Sie den Raum und kontaktieren Sie umgehend den Handelsvertreter. Das Kühlmittel ist giftig und entzündlich. Verwenden Sie die Klimaanlage **NICHT**, bis die Leckage repariert wurde.
- Wenn das Klimagerät in einem kleinen Raum installiert ist, müssen Schritte unternommen werden, um sicherzustellen, dass im Falle eines Lecks die Kühlmittelkonzentration die Sicherheitsgrenze nicht überschreitet. Hohe Kältemittelkonzentrationen sind ein ernstes Risiko für Ihre Gesundheit und Sicherheit.

### Kühlmittelaustritt-Erkennungssystem (bestimmte Modelle)

- Bei Austritt von Kühlmittel wird „EC“ auf dem LCD-Bildschirm angezeigt und die LED-Kontrollleuchte blinkt.

### Vorbereitung für Stillstandzeiten

#### Wartung nach längerem Nichtgebrauch.

1. Entfernen Sie alle Hindernisse, die eventuell die Kanäle der Innen- und Außeneinheit blockieren.
2. Reinigen Sie den Luftfilter und das Frontgitter der Inneneinheit. Setzen Sie den sauberen und trockenen Luftfilter wieder in seine ursprüngliche Position ein.
3. Schalten Sie den Hauptschalter mindestens 12 Stunden vor der Inbetriebnahme des Geräts ein.

#### Lagerung des Geräts bei Nichtgebrauch

1. Lassen Sie das Gerät an einem warmen Ort 12 Stunden mit der Einstellung FAN (Ventilator) arbeiten, zum Trocknen und um Schimmelbildung zu vermeiden.
2. Schalten Sie das Gerät aus und ziehen Sie es aus der Steckdose.
3. Reinigen Sie den Luftfilter wie im vorhergehenden Kapitel beschrieben. Setzen Sie den sauberen und trockenen Filter erneut ein, bevor Sie das Gerät lagern.
4. Nehmen Sie die Batterien aus der Fernbedienung heraus.

## VORSICHT

Tritt einer der folgenden Fälle auf, trennen Sie die Anlage sofort von der Stromversorgung und wenden Sie sich an Ihren Handelsvertreter, um weitere Hilfe zu erhalten.

- Die Betriebskontrollleuchte blinkt immer noch schnell, nachdem die Klimaanlage neu gestartet wurde.
- Die Fernbedienungstasten funktionieren nicht.
- Das Gerät brennt ständig die Sicherungen durch und lässt die Schutzschalter fallen.
- Ein Fremdkörper oder Wasser ist in die Klimaanlage eingedrungen.
- Andere außergewöhnliche Situationen.

## Häufige Störungen

Folgende Symptome weisen nicht auf eine Fehlfunktion hin und es ist meistens keine Reparatur erforderlich.

Problem	Mögliche Ursachen
<b>Das Gerät wird durch Drücken der ON/ OFF-Taste nicht aktiviert</b>	Das Gerät verfügt über eine 3-minütige Schutzfunktion, die eine Überlastung des Geräts verhindert. Das Gerät kann innerhalb von drei Minuten nach der Deaktivierung nicht neu gestartet werden.
	Modelle mit Kühl- und Heizbetrieb: Wenn die Betriebskontrollleuchten und PRE-DEF (Aufwärmen/ Auftauen) an sind, ist die Außentemperatur zu niedrig und der Luftstrom zum Schutz vor Kälte ist aktiviert, um das Gerät abzutauen.
	Bei Nur-Kühlbetrieb-Modellen: Wenn die Kontrollleuchte „Fan Only“ (Nur Ventilator) an ist, ist die Außentemperatur zu niedrig und der Frostschutz ist aktiviert, um das Gerät abzutauen.
<b>Das Gerät wechselt vom COOL-Modus (Kühlung) in den FAN-Modus (Ventilator)</b>	Das Gerät ändert seine Einstellung, um Eisbildung zu verhindern. Sobald die Temperatur ansteigt, arbeitet das Gerät weiter.
	Die eingestellte Temperatur wurde erreicht und der Kompressor wird deaktiviert. Das Gerät arbeitet, sobald sich die Temperatur wieder ändert.
<b>Weißer Nebel tritt aus der Inneneinheit aus</b>	In Gegenden mit hoher Luftfeuchtigkeit kann ein großer Temperaturunterschied zwischen der Raumluft und der aus der Klimaanlage austretenden Luft zur Bildung von weißem Nebel führen.

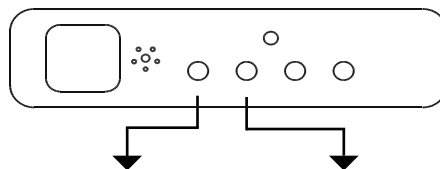
<b>Problem</b>	<b>Mögliche Ursachen</b>
<b>Aus der Innen- und Außeneinheit tritt weißer Nebel aus</b>	Wenn das Gerät nach dem Abtauvorgang im HEAT-Modus gestartet wird, kann durch die beim Abtauen entstandene Feuchtigkeit weißer Nebel entstehen.
<b>Die Inneneinheit erzeugt Geräusche</b>	Wenn sich das System im OFF (Ausschalten)- oder COOL (Kühlung) -Modus befindet, ist ein quietschendes Geräusch zu hören. Das Geräusch ist ebenfalls zu hören, wenn die Abfluspumpe (optional) in Betrieb ist.
	Quietschgeräusche können durch die HEAT (Heizung)-Funktion aufgrund der Ausdehnung und Kontraktion der Kunststoffteile des Geräts entstehen.
<b>Die Innen- und Außeneinheit erzeugen Geräusche</b>	Während des Betriebs ertönt möglicherweise ein leises Pfeifen. Dies ist normal und wird durch den Fluss von Kühlgas durch die Innen- und Außeneinheit verursacht.
	Es ertönt möglicherweise ein leises Pfeifen, wenn das System gestartet wird, gerade gestoppt wird oder wenn der Abtauvorgang läuft. Dieses Geräusch ist normal und wird durch die Unterbrechung oder Änderung der Strömungsrichtung des Kühlmittels verursacht.
<b>Die Inneneinheit erzeugt Geräusche</b>	Das Gerät erzeugt abhängig vom aktuellen Betriebsmodus verschiedene Geräusche.
<b>Staub tritt entweder von der Innen- oder Außeneinheit aus</b>	Bei längerer Nichtbenutzung kann sich im Gerät Staub ansammeln. Wenn das Gerät eingeschaltet wird, wird dieser Staub nach außen abgegeben. Um dieses Phänomen zu reduzieren, können Sie das Gerät während längerer Nichtbenutzung abdecken.
<b>Das Gerät gibt einen schlechten Geruch ab</b>	Das Gerät kann Gerüche aus der Umgebung (Möbel, Kochen, Zigaretten usw.) aufnehmen und während des Betriebs abgeben.
	An den Gerätefiltern hat sich Schimmel gebildet und sie müssen gereinigt werden.
<b>Das Flügelrad der Außeneinheit funktioniert nicht</b>	Die Geschwindigkeit des Flügelrads wird während des Betriebs reguliert, um den Betrieb des Produkts zu optimieren.

## Tipps zur Fehlerbehebung

Wenn Probleme auftreten, sollten Sie Folgendes prüfen, bevor Sie sich an einen autorisierten Techniker wenden.

Problem	Mögliche Ursachen	Lösung
<b>Das Gerät funktioniert nicht</b>	Stromausfall	Warten Sie, bis die Stromversorgung wieder hergestellt ist
	Der Netzschalter befindet sich in der Aus-Position	Stellen Sie den Schalter auf die Ein-Position
	Die Sicherung ist durchgebrannt	Ersetzen Sie die Sicherung
	Die Batterien der Fernbedienung sind leer	Ersetzen Sie die Batterien der Fernbedienung
	Die 3-Minuten-Schutzfunktion des Geräts ist eingeschaltet	Warten Sie drei Minuten, bevor Sie das Gerät neu starten
<b>Unzureichende Kühlleistung</b>	Die Temperatureinstellung ist eventuell höher als die Raumtemperatur	Reduzieren Sie die Temperatureinstellung
	Im Wärmetauscher der Innen- oder Außeneinheit hat sich Staub angesammelt	Reinigen Sie den Wärmetauscher
	Im Luftfilter hat sich Staub angesammelt	Entfernen Sie den Filter und reinigen Sie ihn gemäß den Anweisungen
	Die Lufteinlass- oder Luftauslassöffnung in der Innen- oder Außeneinheit ist blockiert	Schalten Sie das Gerät aus, entfernen Sie das Hindernis und schalten Sie es wieder ein
	Die Fenster und Türen sind offen	Stellen Sie sicher, dass alle Türen und Fenster geschlossen sind, während die Klimaanlage in Betrieb ist
	Es entsteht übermäßige Wärme durch Sonnenlicht	Schließen Sie Fenster und Vorhänge bei starker Hitze oder starker Sonneneinstrahlung
	Reduzierte Kühlmittelmenge aufgrund von Leckagen oder langjähriger Nutzung	Prüfen Sie auf Lecks, dichten Sie das System bei Bedarf erneut ab und füllen Sie das Kühlmittel auf
<b>Das Gerät startet und stoppt häufig</b>	Das System enthält zu viel oder zu wenig Kühlmittel	Prüfen Sie auf Lecks und füllen Sie das System erneut mit Kühlmittel auf
	Im Kühlsystem befindet sich Luft, nicht komprimiertes Gas oder Fremdkörper	Entleeren und füllen Sie das System erneut mit Kühlmittel auf
	Ein Teil des Systems ist blockiert	Finden Sie den blockierten Kreislauf und ersetzen Sie die fehlerhafte Komponente
	Fehler am Kompressor	Ersetzen Sie den Kompressor
	Die Spannung ist zu hoch oder zu niedrig	Installieren Sie einen Druckregler, um die Spannung zu kontrollieren
<b>Unzureichende Heizleistung</b>	Die Außentemperatur ist niedriger als 7 °C (44,5 °F)	Prüfen Sie auf Lecks und füllen Sie das System erneut mit Kühlmittel auf
	Kalte Luft dringt durch die Türen und Fenster ein	Stellen Sie sicher, dass alle Türen und Fenster geschlossen sind, während die Klimaanlage in Betrieb ist
	Reduzierte Kühlmittelmenge aufgrund von Leckagen oder langjähriger Nutzung	Prüfen Sie auf Lecks, dichten Sie das System bei Bedarf erneut ab und füllen Sie das Kühlmittel auf

## • Inverter-Klimaanlage



Nummer	Ursache	Anzahl der Blinksignale pro Sekunde	Kontrollleuchte	Fehlercode
1	Speicherfehler EEPROM (Programmierbarer Nur-Lese-Speicher, löschtbar mit Strom) an der Inneneinheit	1	Ausgeschaltet	<b>EH 00/ EH 0A</b>
2	Kommunikationsproblem zwischen Innen- und Außeneinheit	2	Ausgeschaltet	<b>EL 01</b>
3	Problem mit der Ventilatorgeschwindigkeit an der Inneneinheit	4	Ausgeschaltet	<b>EH 03</b>
4	Fehler am Innenraumtemperatursensor	5	Ausgeschaltet	<b>EH 60</b>
5	Fehler am Temperatursensor der Verdampferwicklung	6	Ausgeschaltet	<b>EH 61 / EC 56</b>
6	Fehlfunktion des Kältemittelaustritt-Erkennungssystems	7	Ausgeschaltet	<b>EL 0C</b>
7	Fehlfunktion des Wasserstand-Warnsystems	8	Ausgeschaltet	<b>EH 0E</b>
8	Kommunikationsproblem am Dual-Innengerät (nur bei Modellen mit Dual-Einheit)	9	Ausgeschaltet	<b>EH 0b</b>
9	Überlastungsschutz	1	Ausgeschaltet	<b>F0</b>
10	Fehler am Außentemperatursensor	2	Ausgeschaltet	<b>EC 53</b>
11	Sensorfehler am externen Kondensatorrohr	3	Ausgeschaltet	<b>EC 52</b>
12	Fehler am Auslasslufttemperatursensor	4	Ausgeschaltet	<b>EC 54</b>
13	Speicherfehler EEPROM (Programmierbarer Nur-Lese-Speicher, löschtbar mit Strom) an der Außeneinheit	5	Eingeschaltet	<b>EC 51</b>
14	Problem mit der Ventilatorgeschwindigkeit an der Außeneinheit (nur für das Flügelrad des Gleichstrommotors)	6	Eingeschaltet	<b>EC 07</b>
15	IPM Schutz der Inverter-Einheit	1	Blinkt	<b>PC 00</b>
16	Schutz gegen hohe/niedrige Spannung	2	Blinkt	<b>PC 01</b>
17	Überhitzungsschutz des oberen Kompressorteils	3	Blinkt	<b>PC 02</b>
18	Kompressorlaufwerkfehler	5	Blinkt	<b>PC 04</b>
19	Widerspruch beim Betriebsmodus	6	Blinkt	<b>--</b>
20	Niederdruckkompressorschutz	7	Blinkt	<b>PC 03</b>
21	Fehler beim externen IGBT-Sensor	8	Blinkt	<b>EC 0d</b>

## Anweisungen zur Entsorgung innerhalb der Europäischen Union

6

Benutzer innerhalb der Europäischen Union müssen das Gerät ordnungsgemäß entsorgen. Dieses Gerät enthält Kühlmittel und andere potenziell gefährliche Materialien.

Für die Entsorgung dieses Geräts, sind nach dem Gesetz spezielle Einsammelungs- und Verarbeitungsmethoden erforderlich. Entsorgen Sie dieses Produkt **NICHT** als Hausmüll oder als Siedlungsabfall, der keinem Trennungsverfahren unterzogen wurde.

### Für die Entsorgung dieses Geräts haben Sie folgende Möglichkeiten:

- Sie können das Gerät in einer dafür vorgesehenen städtischen Sammelstelle für elektronische Altgeräte entsorgen.
- Wenn Sie ein neues Gerät kaufen, kann der Händler das alte Gerät kostenlos entgegennehmen.
- Der Hersteller kann das alte Gerät ebenfalls kostenlos entgegennehmen.
- Sie können das Gerät an zertifizierte Metallhändler verkaufen.

**HINWEIS:** Die Entsorgung dieses Geräts in einem Waldgebiet oder in der Natur gefährdet die Gesundheit und die Umwelt. Es können Gefahrstoffe in das Grundwasser und in die Nahrungskette gelangen.



---

Die Abbildungen in diesem Handbuch dienen lediglich zur Erläuterung der Funktionen. Die tatsächliche Form der Einheit, die Sie gekauft haben, kann etwas abweichen, aber die Bedienung und Funktionen sind gleich.

Das Unternehmen übernimmt keinerlei Haftung für eventuell in diesem Dokument enthaltene falsch gedruckte Informationen. Der Inhalt dieses Handbuchs und die technischen Daten dieses Produkts können für Verbesserungsgründe ohne Vorankündigung geändert werden.

Bitte wenden Sie sich an den Hersteller unter +30 211 300 3300 oder an die Verkaufsagentur, um weitere Informationen zu erhalten. Alle zukünftigen Aktualisierungen des Handbuchs werden auf die Service-Website hochgeladen. Es wird empfohlen, immer nach der neuesten Version zu suchen.



Scannen Sie bitte hier, um die neueste Version dieses Handbuchs herunterladen zu können.  
[www.inventorklimaanlagen.de/media-library](http://www.inventorklimaanlagen.de/media-library)











# AIR CONDITIONING SYSTEMS

## CASSETTE TYPE



V1.0.112021

Please check the applicable models, F-GAS and manufacturer information from the "Owner's Manual - Product Fiche" in the packaging of the outdoor unit. (European Union products only).

Manufacturer: **INVENTOR A.G. S.A.**

24th km National Road Athens - Lamia & 2 Thoukididou Str., Ag.Stefanos, 14565

Tel.: +30 211 300 3300, Fax: +30 211 300 3333 - [www.inventor.ac](http://www.inventor.ac)

