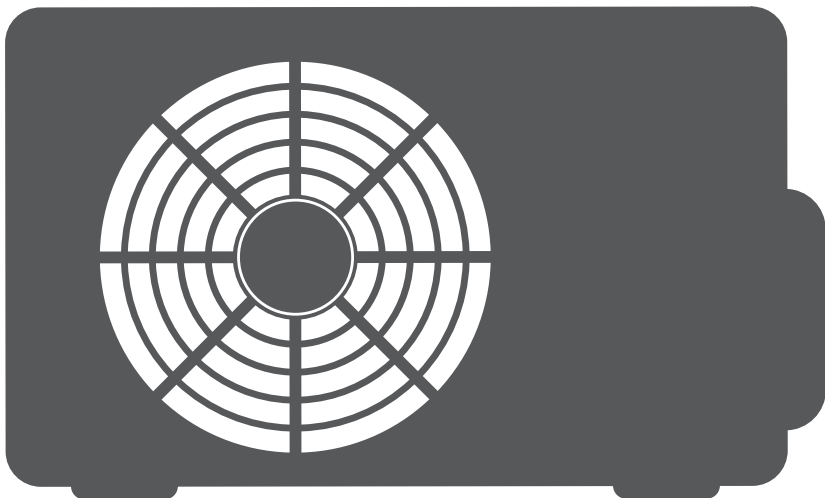




AIR CONDITIONING SYSTEMS

WALL MOUNTED UNIT

- **USER'S & INSTALLATION MANUAL**
- **ΕΓΧΕΙΡΙΔΙΟ ΧΡΗΣΗΣ & ΕΓΚΑΤΑΣΤΑΣΗΣ**
- **MANUAL UTILIZATORULUI & INSTALLARE**
- **BENUTZER- & INSTALLATIONSHANDBUCH**



MODELS:

LEUVI-09WFI/LEUVO-09
LEUVI-12WFI/LEUVO-12
LEUVI-18WFI/LEUVO-18
LEUVI-24WFI/LEUVO-24



Table of Contents

Safety Precautions	04
---------------------------------	-----------

Owner's Manual

Unit Specifications and Features.....	09
--	-----------

1.Indoor unit display.....	09
----------------------------	----

2.Operating temperature.....	10
------------------------------	----

3.Other features	11
------------------------	----

4.Setting angle of airflow.....	12
---------------------------------	----

5.Manual operation (without Remote).....	12
--	----

Care and Maintenance.....	13
----------------------------------	-----------

Troubleshooting.....	15
-----------------------------	-----------

Installation Manual

Accessories.....	18
Installation Summary - Indoor Unit	19
Unit Parts.....	20
Indoor Unit Installation.....	21
1.Select installation location.....	21
2.Attach mounting plate to wall.....	21
3.Drill wall hole for connective piping.....	22
4.Prepare refrigerant piping.....	23
5.Connect drain hose.....	25
6.Connect signal and power cables.....	26
7.Wrap piping and cables.....	27
8.Mount indoor unit.....	28
Outdoor Unit Installation.....	28
1.Select installation location.....	28
2.Install drain joint.....	29
3.Anchor outdoor unit.....	29
4.Connect signal and power cables.....	31
Refrigerant Piping Connection.....	32
A.Note on Pipe Length.....	32
B.Connection Instructions –Refrigerant Piping.....	32
1.Cut pipe.....	32
2.Remove burrs.....	33
3.Flare pipe ends.....	33
4.Connect pipes.....	33
Air Evacuation.....	35
1.Evacuation Instructions.....	35
2.Note on Adding Refrigerant.....	36
Electrical and Gas Leak Checks.....	37
Test Run.....	38

Safety Precautions

Read Safety Precautions Before Operation and Installation

Incorrect installation due to ignoring instructions can cause serious damage or injury.

The seriousness of potential damage or injuries is classified as either a **WARNING** or **CAUTION**.



WARNING

This symbol indicates the possibility of personnel injury or loss of life.



CAUTION

This symbol indicates the possibility of property damage or serious consequences.



WARNING

This appliance can be used by children aged from 8 years and above and persons with reduced physical, sensory or mental capabilities or lack of experience and knowledge if they have been given supervision or instruction concerning use of the appliance in a safe way and understand the hazards involved. Children shall not play with the appliance. Cleaning and user maintenance shall not be made by children without supervision(European Union countries).

This appliance is not intended for use by persons(including children) with reduced physical, sensory or mental capabilities, or lack of experience and knowledge, unless they have been given supervision or instruction concerning use of the appliance by a person responsible for their safety. Children should be supervised to ensure that they do not play with the appliance.



WARNINGS FOR PRODUCT USE

- If an abnormal situation arises (like a burning smell), immediately turn off the unit and disconnect the power. Call your dealer for instructions to avoid electric shock, fire or injury.
- **Do not** insert fingers, rods or other objects into the air inlet or outlet. This may cause injury, since the fan may be rotating at high speeds.
- **Do not** use flammable sprays such as hair spray, lacquer or paint near the unit. This may cause fire or combustion.
- **Do not** operate the air conditioner in places near or around combustible gases. Emitted gas may collect around the unit and cause explosion.
- **Do not** operate your air conditioner in a wet room such as a bathroom or laundry room. Too much exposure to water can cause electrical components to short circuit.
- **Do not** expose your body directly to cool air for a prolonged period of time.
- **Do not** allow children to play with the air conditioner. Children must be supervised around the unit at all times.
- If the air conditioner is used together with burners or other heating devices, thoroughly ventilate the room to avoid oxygen deficiency.
- In certain functional environments, such as kitchens, server rooms, etc., the use of specially designed air-conditioning units is highly recommended.

CLEANING AND MAINTENANCE WARNINGS

- Turn off the device and disconnect the power before cleaning. Failure to do so can cause electrical shock.
- **Do not** clean the air conditioner with excessive amounts of water.
- **Do not** clean the air conditioner with combustible cleaning agents. Combustible cleaning agents can cause fire or deformation.

CAUTION

- Turn off the air conditioner and disconnect the power if you are not going to use it for a long time.
- Turn off and unplug the unit during storms.
- Make sure that water condensation can drain unhindered from the unit.
- **Do not** operate the air conditioner with wet hands. This may cause electric shock.
- **Do not** use device for any other purpose than its intended use.
- **Do not** climb onto or place objects on top of the outdoor unit.
- **Do not** allow the air conditioner to operate for long periods of time with doors or windows open, or if the humidity is very high.

ELECTRICAL WARNINGS

- Only use the specified power cord. If the power cord is damaged, it must be replaced by the manufacturer, its service agent or similarly qualified persons in order to avoid a hazard.
- Keep power plug clean. Remove any dust or grime that accumulates on or around the plug. Dirty plugs can cause fire or electric shock.
- **Do not** pull power cord to unplug unit. Hold the plug firmly and pull it from the outlet. Pulling directly on the cord can damage it, which can lead to fire or electric shock.
- **Do not** modify the length of the power supply cord or use an extension cord to power the unit.
- **Do not** share the electrical outlet with other appliances. Improper or insufficient power supply can cause fire or electrical shock.
- The product must be properly grounded at the time of installation, or electrical shock may occur.
- For all electrical work, follow all local and national wiring standards, regulations, and the Installation Manual. Connect cables tightly, and clamp them securely to prevent external forces from damaging the terminal. Improper electrical connections can overheat and cause fire, and may also cause shock. All electrical connections must be made according to the Electrical Connection Diagram located on the panels of the indoor and outdoor units.
- All wiring must be properly arranged to ensure that the control board cover can close properly. If the control board cover is not closed properly, it can lead to corrosion and cause the connection points on the terminal to heat up, catch fire, or cause electrical shock.
- If connecting power to fixed wiring, an all-pole disconnection device which has at least 3mm clearances in all poles, and have a leakage current that may exceed 10mA, the residual current device(RCD) having a rated residual operating current not exceeding 30mA, and disconnection must be incorporated in the fixed wiring in accordance with the wiring rules.

TAKE NOTE OF FUSE SPECIFICATIONS

The air conditioner's circuit board (PCB) is designed with a fuse to provide overcurrent protection. The specifications of the fuse are printed on the circuit board ,such as : T3.15AL/250VAC, T5AL/250VAC, T3.15A/250VAC, T5A/250VAC, T20A/250VAC, T30A/250VAC,etc.

NOTE: For the units using R32 or R290 refrigerant , only the blast-proof ceramic fuse can be used.



WARNINGS FOR PRODUCT INSTALLATION

1. Installation must be performed by an authorized dealer or specialist. Defective installation can cause water leakage, electrical shock, or fire.
2. Installation must be performed according to the installation instructions. Improper installation can cause water leakage, electrical shock, or fire.
(In North America, installation must be performed in accordance with the requirement of NEC and CEC by authorized personnel only.)
3. Contact an authorized service technician for repair or maintenance of this unit. This appliance shall be installed in accordance with national wiring regulations.
4. Only use the included accessories, parts, and specified parts for installation. Using non-standard parts can cause water leakage, electrical shock, fire, and can cause the unit to fail.
5. Install the unit in a firm location that can support the unit's weight. If the chosen location cannot support the unit's weight, or the installation is not done properly, the unit may drop and cause serious injury and damage.
6. Install drainage piping according to the instructions in this manual. Improper drainage may cause water damage to your home and property.
7. For units that have an auxiliary electric heater, **do not** install the unit within 1 meter (3 feet) of any combustible materials.
8. **Do not** install the unit in a location that may be exposed to combustible gas leaks. If combustible gas accumulates around the unit, it may cause fire.
9. Do not turn on the power until all work has been completed.
10. When moving or relocating the air conditioner, consult experienced service technicians for disconnection and reinstallation of the unit.
11. How to install the appliance to its support, please read the information for details in "indoor unit installation" and "outdoor unit installation" sections .

Note about Fluorinated Gasses(Not applicable to the unit using R290 Refrigerant)

1. This air-conditioning unit contains fluorinated greenhouse gasses. For specific information on the type of gas and the amount, please refer to the relevant label on the unit itself or the "Owner's Manual - Product Fiche " in the packaging of the outdoor unit. (European Union products only).
2. Installation, service, maintenance and repair of this unit must be performed by a certified technician.
3. Product uninstallation and recycling must be performed by a certified technician.
4. For equipment that contains fluorinated greenhouse gases in quantities of 5 tonnes of CO₂ equivalent or more, but of less than 50 tonnes of CO₂ equivalent, If the system has a leak-detection system installed, it must be checked for leaks at least every 24 months.
5. When the unit is checked for leaks, proper record-keeping of all checks is strongly recommended.

UV-C lamp






This appliance contains a UV-C lamp. Read the maintenance instructions before opening the appliance.

1. Do not operate UV-C lamps outside of the appliance.
2. Appliances that are obviously damaged must not be operated.
3. Unintended use of the appliance or damage to the housing may result in the escape of dangerous UV-C radiation. UV-C radiation may, even in small doses, cause harm to the eyes and skin.
4. Before opening doors and access panels bearing the ULTRAVIOLET RADIATION hazard symbol for the conducting USER MAINTENANCE, it is recommended to disconnect the power.
5. The UV-C lamp cannot be cleaned, repaired and replaced.
6. UV-C BARRIERS bearing the ULTRAVIOLET RADIATION hazard symbol should not be removed.

WARNING

This appliance contains an UV emitter. Do not stare at the light source.

Explanation of symbols displayed on the indoor unit or outdoor unit:

	WARNING	This symbol shows that this appliance used a flammable refrigerant. If the refrigerant is leaked and exposed to an external ignition source, there is a risk of fire.
	CAUTION	This symbol shows that the operation manual should be read carefully.
	CAUTION	This symbol shows that a service personnel should be handling this equipment with reference to the installation manual.
	CAUTION	
	CAUTION	This symbol shows that information is available such as the operating manual or installation manual.

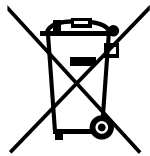


WARNING for Using R32/R290 Refrigerant

- When flammable refrigerant are employed, appliance shall be stored in a well -ventilated area where the room size corresponds to the room area as specific for operation.
For R32 frigerant models:
Appliance shall be installed, operated and stored in a room with a floor area larger than 4m².
Appliance shall not be installed in an unvertilated space, if that space is smaller than 4m².
For R290 refrigerant models, the minimum room size needed:
<=9000Btu/h units: 13m²
>9000Btu/h and <=12000Btu/h units: 17m²
>12000Btu/h and <=18000Btu/h units: 26m²
>18000Btu/h and <=24000Btu/h units: 35m²
- Reusable mechanical connectors and flared joints are not allowed indoors. (EN Standard Requirements).
- Mechanical connectors used indoors shall have a rate of not more than 3g/year at 25% of the maximum allowable pressure. When mechanical connectors are reused indoors, sealing parts shall be renewed. When flared joints are reused indoors, the flare part shall be re-fabricated. (UL Standard Requirements)
- When mechanical connectors are reused indoors, sealing parts shall be renewed. When flared joints are reused indoors, the flare part shall be re-fabricated. (IEC Standard Requirements)
- Mechanical connectors used indoors shall comply with ISO 14903.

European Disposal Guidelines

This marking shown on the product or its literature, indicates that waste electrical and eletrical equipment should not be mixed with general household waste.



Correct Disposal of This Product (Waste Electrical & Electronic Equipment)

This appliance contains refrigerant and other potentially hazardous materials. When disposing of this appliance, the law requires special collection and treatment. **Do not** dispose of this product as household waste or unsorted municipal waste.

When disposing of this appliance, you have the following options:

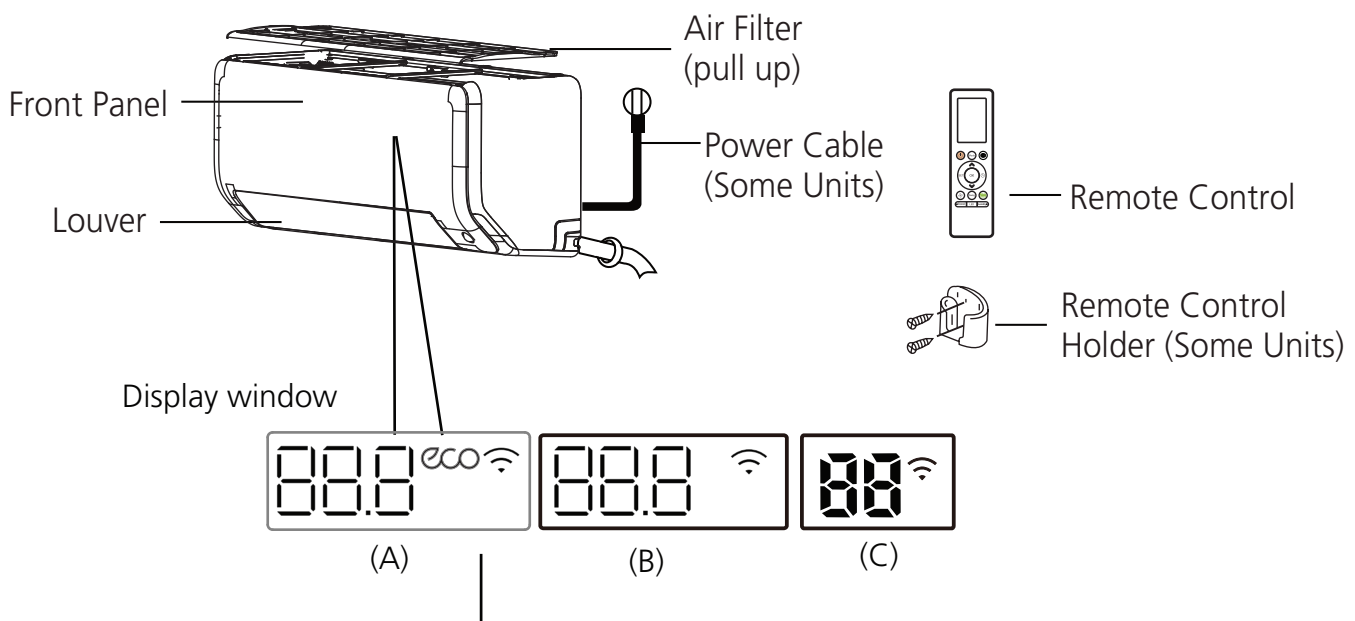
- Dispose of the appliance at designated municipal electronic waste collection facility.
- When buying a new appliance, the retailer will take back the old appliance free of charge.
- The manufacturer will take back the old appliance free of charge.
- Sell the appliance to certified scrap metal dealers.

Special notice

Disposing of this appliance in the forest or other natural surroundings endangers your health and is bad for the environment. Hazardous substances may leak into the ground water and enter the food chain.

Unit Specifications and Features

Indoor unit display



" **22.8** " " **22** " Displays temperature, operation feature and Error codes:

" **ON** " for 3 seconds when:

- **TIMER ON** is set (if the unit is OFF, " **ON** " remains on when **TIMER ON** is set)
- **FRESH**, **UV-C lamp**, **SWING**, **TURBO** , **ECO**, **BREEZE AWAY**, or **SILENCE** feature is turned on

" **OF** " for 3 seconds when:

- **TIMER OFF** is set
- **FRESH**, **UV-C lamp**, **SWING**, **TURBO** , **ECO**, **BREEZE AWAY**, or **SILENCE** feature is turned off

" **dF** " when defrosting(for cooling & heating units)

" **CL** " when **Active Clean** feature is turned on(For Inverter split type)
when the **Self clean** feature is turned on (For fixed-speed type)

" **FP** " when 8°C(46°F) heating mode is turned on(some units)

" **ECO** " when **ECO** feature is activated(some units)

" **Wi-Fi** " when wireless control feature is activated(some units)

Display Code Meanings

NOTE: Different models have different front panel and display window. Not all the indicators describing below are available for the air conditioner you purchased. Please check the indoor display window of the unit you purchased.

Illustrations in this manual are for explanatory purposes. The actual shape of your indoor unit may be slightly different. The actual shape shall prevail.

Operating temperature

When your air conditioner is used outside of the following temperature ranges, certain safety protection features may activate and cause the unit to disable.

Inverter Split Type

	COOL mode	HEAT mode	DRY mode
Room Temperature	17°C - 32°C (62°F - 90°F)	0°C - 30°C (32°F - 86°F)	10°C - 32°C (50°F - 90°F)
Outdoor Temperature	0°C - 50°C (32°F - 122°F)	-15°C - 24°C (5°F - 75°F)	0°C - 50°C (32°F - 122°F)
	-15°C - 50°C (5°F - 122°F) (For models with low temp. cooling systems.)		
	0°C - 52°C (32°F - 126°F) (For special tropical models)		0°C - 52°C (32°F - 126°F) (For special tropical models)

FOR OUTDOOR UNITS WITH BASEPAN HEATER OR CRANKCASE HEATER

When outside temperature is below 0°C(32°F), we strongly recommend keeping the unit plugged in at all time to ensure smooth ongoing performance.

NOTE: Room relative humidity less than 80%. If the air conditioner operates in excess of this figure, the surface of the air conditioner may attract condensation. Please sets the vertical air flow louver to its maximum angle (vertically to the floor), and set HIGH fan mode.

To further optimize the performance of your unit, do the following:

- Keep doors and windows closed.
- Limit energy usage by using TIMER ON and TIMER OFF functions.
- Do not block air inlets or outlets.
- Regularly inspect and clean air filters.

A guide on using the infrared remote is not included in this literature package. Not all the functions are available for the air conditioner, please check the indoor display and remote control of the unit you purchased.

Other Features

- **Auto-Restart**

If the unit loses power, it will automatically restart with the prior settings once power has been restored.

- **Anti-mildew (some units)**

When turning off the unit from COOL, AUTO (COOL), or DRY modes, the air conditioner will continue operate at very low power to dry up condensed water and prevent mildew growth.

- **Wireless Control**

Wireless control allows you to control your air conditioner using your mobile phone and a wireless connection.

For the USB device access, replacement, maintenance operations must be carried out by professional staff.

- **Louver Angle Memory**

When turning on your unit, the louver will automatically resume its former angle.

- **Active Clean function (some units)**

- The Active Clean Technology washes away dust, mold, and grease that may cause odors when it adheres to the heat exchanger by automatically freezing and then rapidly thawing the frost. A "pi-pi" sound will be heard. The Active clean operation is used to produce more condensed water to improve the cleaning effect, and the cold air will blow out. After cleaning, the internal wind wheel then keeps operating with hot air to blow-dry the evaporator, thus preventing the growth of mold and keeping the inside clean.
- When this function is turned on, the indoor unit display window appears "CL " , after 20 to 45 minutes, the unit will turn off automatically and cancel Active Clean function.

- **Breeze Away**

This feature avoids direct air flow blowing on the body and make you feel indulging in silky coolness.

- **Refrigerant Leakage Detection**

The indoor unit will automatically display "ELOC" when it detects refrigerant leakage.

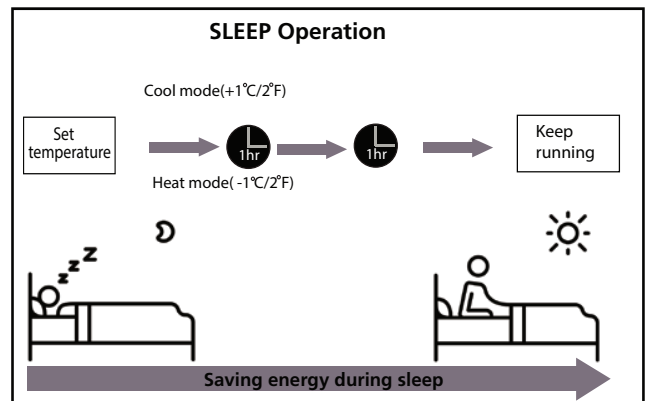
- **Sleep Operation**

The SLEEP function is used to decrease energy use while you sleep (and don't need the same temperature settings to stay comfortable). This function can only be activated via remote control. And the Sleep function is not available in FAN or DRY mode.

When in COOL mode, the unit will increase the temperature by 1°C (2°F) after 1 hour, and will increase an additional 1°C (2°F) after another hour.

When in HEAT mode, the unit will decrease the temperature by 1°C (2°F) after 1 hour, and will decrease an additional 1°C (2°F) after another hour.

The sleep feature will stop after 8 hours and the system will keep running with final situation.



• Setting Angle of Air Flow

Setting vertical angle of air flow

While the unit is on, use the **SWING** button on remote control to set the direction (vertical angle) of airflow. Please refer to the Remote Control Manual for details.

NOTE ON LOUVER ANGLES

When using COOL or DRY mode, do not set louver at too vertical an angle for long periods of time. This can cause water to condense on the louver blade, which will drop on your floor or furnishings.

When using COOL or HEAT mode, setting the louver at too vertical an angle can reduce the performance of the unit due to restricted air flow.

Setting horizontal angle of air flow

While the unit is on, use the SWING button on remote control to set the direction (horizontal angle) of airflow. Please refer to the Remote Control Manual for details.

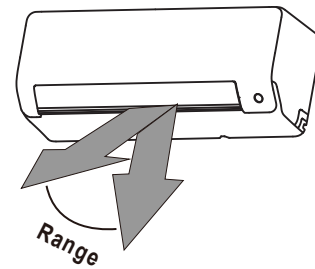
Manual Operation (without remote)

CAUTION

The manual button is intended for testing purposes and emergency operation only. Please do not use this function unless the remote control is lost and it is absolutely necessary. To restore regular operation, use the remote control to activate the unit. Unit must be turned off before manual operation.

To operate your unit manually:

1. Locate the **MANUAL CONTROL button** on the right-hand side panel of the unit.
2. Press the **MANUAL CONTROL button** one time to activate FORCED AUTO mode.
3. Press the **MANUAL CONTROL button** again to activate FORCED COOLING mode.
4. Press the **MANUAL CONTROL button** a third time to turn the unit off.



NOTE: Do not move louver by hand. This will cause the louver to become out of sync. If this occurs, turn off the unit and unplug it for a few seconds, then restart the unit. This will reset the louver.

Fig. A

CAUTION

Do not put your fingers in or near the blower and suction side of the unit. The high-speed fan inside the unit may cause injury.

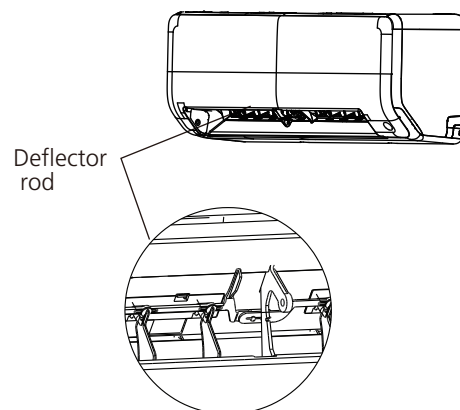


Fig. B

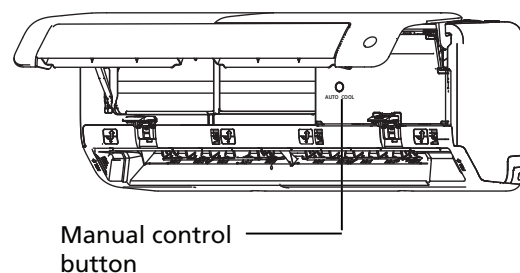


Fig. C

Care and Maintenance

Cleaning Your Indoor Unit



BEFORE CLEANING OR MAINTENANCE

ALWAYS TURN OFF YOUR AIR CONDITIONER SYSTEM AND DISCONNECT ITS POWER SUPPLY BEFORE CLEANING OR MAINTENANCE.



CAUTION

Only use a soft, dry cloth to wipe the unit clean. If the unit is especially dirty, you can use a cloth soaked in warm water to wipe it clean.

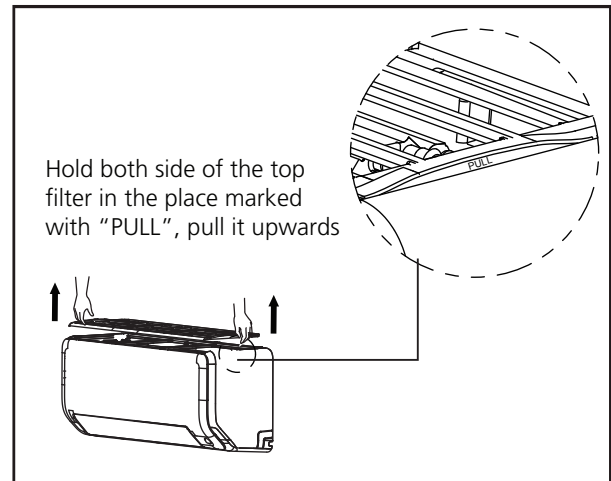
- **Do not** use chemicals or chemically treated cloths to clean the unit
- **Do not** use benzene, paint thinner, polishing powder or other solvents to clean the unit. They can cause the plastic surface to crack or deform.
- **Do not** use water hotter than 40°C (104°F) to clean the front panel. This can cause the panel to deform or become discolored.

Cleaning Your Air Filter

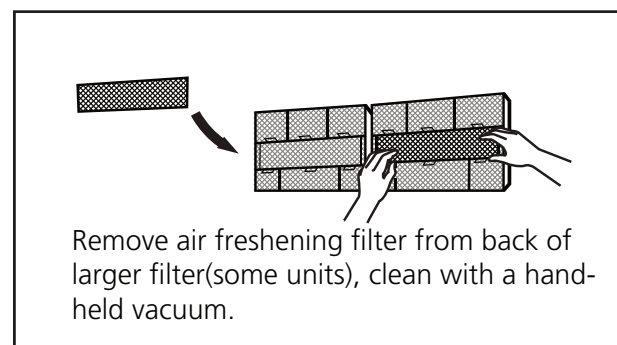
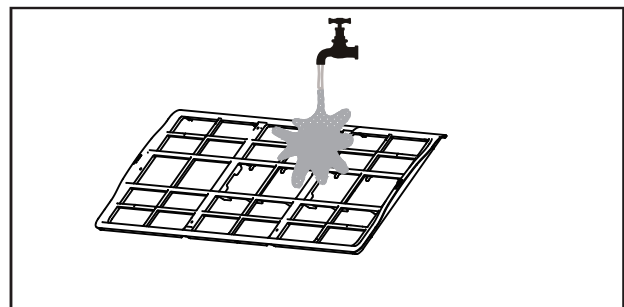
A clogged air filter can reduce the cooling efficiency of your unit, can also make the air flow irregular and too much noisy, so please clean the air filter as often as necessary. Once the abnormal noise of air flow is heard, please clean the air filter immediately.

1. The air filter is on the top of the air conditioner.
2. Hold both side of the top filter in the place marked with "PULL", then pull it upwards.
3. If your filter has small air freshening filters, unclip them from the larger filter. Clean these air freshening filters with a hand-held vacuum.
4. Clean the large air filter with warm, soapy water. Be sure to use a mild detergent.

5. Rinse the filter with fresh water, then shake off excess water.
6. Dry it in a cool, dry place, and refrain from exposing it to direct sunlight.
7. When dry, re-clip the air freshening filter to the larger filter, then install it back on the indoor unit.



Hold both side of the top filter in the place marked with "PULL", pull it upwards



CAUTION

- Before changing the filter or cleaning, turn off the unit and disconnect its power supply.
- When removing filter, do not touch metal parts in the unit. The sharp metal edges can cut you.
- Do not use water to clean the inside of the indoor unit. This can destroy insulation and cause electrical shock.
- Do not expose filter to direct sunlight when drying. This can shrink the filter.

Air Filter Reminders (Optional)

Air Filter Cleaning Reminder

After 240 hours of use, the display window on the indoor unit will flash "CL." This is a reminder to clean your filter. After 15 seconds, the unit will revert to its previous display.

To reset the reminder, press the **LED** button on your remote control 4 times, or press the **MANUAL CONTROL** button 3 times. If you don't reset the reminder, the "CL" indicator will flash again when you restart the unit.

Air Filter Replacement Reminder

After 2,880 hours of use, the display window on the indoor unit will flash "nF." This is a reminder to replace your filter. After 15 seconds, the unit will revert to its previous display.

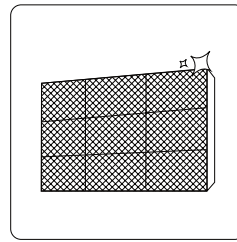
To reset the reminder, press the **LED** button on your remote control 4 times, or press the **MANUAL CONTROL** button 3 times. If you don't reset the reminder, the "nF" indicator will flash again when you restart the unit.

CAUTION

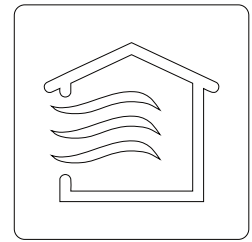
- Any maintenance and cleaning of outdoor unit should be performed by an authorized dealer or a licensed service provider.
- Any unit repairs should be performed by an authorized dealer or a licensed service provider.

Maintenance – Long Periods of Non-Use

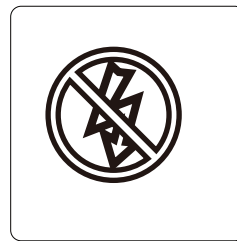
If you plan not to use your air conditioner for an extended period of time, do the following:



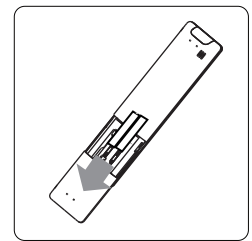
Clean all filters



Turn on FAN function until unit dries out completely



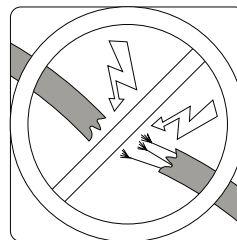
Turn off the unit and disconnect the power



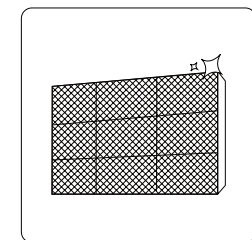
Remove batteries from remote control

Maintenance – Pre-Season Inspection

After long periods of non-use, or before periods of frequent use, do the following:



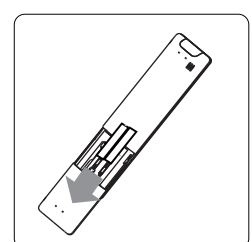
Check for damaged wires



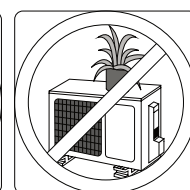
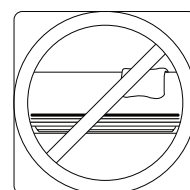
Clean all filters



Check for leaks



Replace batteries



Make sure nothing is blocking all air inlets and outlets

Troubleshooting

SAFETY PRECAUTIONS

If ANY of the following conditions occurs, turn off your unit immediately!

- The power cord is damaged or abnormally warm
- You smell a burning odor
- The unit emits loud or abnormal sounds
- A power fuse blows or the circuit breaker frequently trips
- Water or other objects fall into or out of the unit

DO NOT ATTEMPT TO FIX THESE YOURSELF! CONTACT AN AUTHORIZED SERVICE PROVIDER IMMEDIATELY!

Common Issues

The following problems are not a malfunction and in most situations will not require repairs.

Issue	Possible Causes
Unit does not turn on when pressing ON/OFF button	The Unit has a 3-minute protection feature that prevents the unit from overloading. The unit cannot be restarted within three minutes of being turned off.
The unit changes from COOL/HEAT mode to FAN mode	The unit may change its setting to prevent frost from forming on the unit. Once the temperature increases, the unit will start operating in the previously selected mode again.
	The set temperature has been reached, at which point the unit turns off the compressor. The unit will continue operating when the temperature fluctuates again.
The indoor unit emits white mist	In humid regions, a large temperature difference between the room's air and the conditioned air can cause white mist.
Both the indoor and outdoor units emit white mist	When the unit restarts in HEAT mode after defrosting, white mist may be emitted due to moisture generated from the defrosting process.
The indoor unit makes noises	A rushing air sound may occur when the louver resets its position.
	A squeaking sound may occur after running the unit in HEAT mode due to expansion and contraction of the unit's plastic parts.
Both the indoor unit and outdoor unit make noises	Low hissing sound during operation: This is normal and is caused by refrigerant gas flowing through both indoor and outdoor units.
	Low hissing sound when the system starts, has just stopped running, or is defrosting: This noise is normal and is caused by the refrigerant gas stopping or changing direction.
	Squeaking sound: Normal expansion and contraction of plastic and metal parts caused by temperature changes during operation can cause squeaking noises.

Issue	Possible Causes
The outdoor unit makes noises	The unit will make different sounds based on its current operating mode.
Dust is emitted from either the indoor or outdoor unit	The unit may accumulate dust during extended periods of non-use, which will be emitted when the unit is turned on. This can be mitigated by covering the unit during long periods of inactivity.
The unit emits a bad odor	The unit may absorb odors from the environment (such as furniture, cooking, cigarettes, etc.) which will be emitted during operations.
	The unit's filters have become moldy and should be cleaned.
The fan of the outdoor unit does not operate	During operation, the fan speed is controlled to optimize product operation.
Operation is erratic, unpredictable, or unit is unresponsive	Interference from cell phone towers and remote boosters may cause the unit to malfunction. In this case, try the following: <ul style="list-style-type: none"> • Disconnect the power, then reconnect. • Press ON/OFF button on remote control to restart operation.

NOTE: If problem persists, contact a local dealer or your nearest customer service center. Provide them with a detailed description of the unit malfunction as well as your model number.

Troubleshooting

When troubles occur, please check the following points before contacting a repair company.

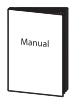
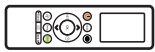
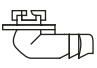
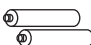


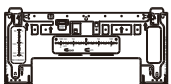




Problem	Possible Causes	Solution
Poor Cooling Performance	Temperature setting may be higher than ambient room temperature	Lower the temperature setting
	The heat exchanger on the indoor or outdoor unit is dirty	Clean the affected heat exchanger
	The air filter is dirty	Remove the filter and clean it according to instructions
	The air inlet or outlet of either unit is blocked	Turn the unit off, remove the obstruction and turn it back on
	Doors and windows are open	Make sure that all doors and windows are closed while operating the unit
	Excessive heat is generated by sunlight	Close windows and curtains during periods of high heat or bright sunshine
	Too many sources of heat in the room (people, computers, electronics, etc.)	Reduce amount of heat sources
	Low refrigerant due to leak or long-term use	Check for leaks, re-seal if necessary and top off refrigerant
SILENCE function is activated (optional function)	SILENCE function can lower product performance by reducing operating frequency. Turn off SILENCE function.	

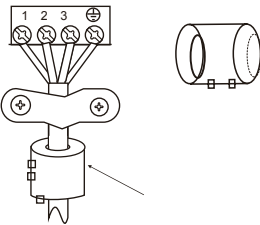
Problem	Possible Causes	Solution
The unit is not working	Power failure	Wait for the power to be restored
	The power is turned off	Turn on the power
	The fuse is burned out	Replace the fuse
	Remote control batteries are dead	Replace batteries
	The Unit's 3-minute protection has been activated	Wait three minutes after restarting the unit
	Timer is activated	Turn timer off
The unit starts and stops frequently	There's too much or too little refrigerant in the system	Check for leaks and recharge the system with refrigerant.
	Incompressible gas or moisture has entered the system.	Evacuate and recharge the system with refrigerant
	The compressor is broken	Replace the compressor
	The voltage is too high or too low	Install a manostat to regulate the voltage
Poor heating performance	The outdoor temperature is extremely low	Use auxiliary heating device
	Cold air is entering through doors and windows	Make sure that all doors and windows are closed during use
	Low refrigerant due to leak or long-term use	Check for leaks, re-seal if necessary and top off refrigerant
Indicator lamps continue flashing	<p>The unit may stop operation or continue to run safely. If the indicator lamps continue to flash or error codes appear, wait for about 10 minutes. The problem may resolve itself.</p> <p>If not, disconnect the power, then connect it again. Turn the unit on. If the problem persists, disconnect the power and contact your nearest customer service center.</p>	
<p>Error code appears and begins with the letters as the following in the window display of indoor unit:</p> <ul style="list-style-type: none"> • E(x), P(x), F(x) • EH(xx), EL(xx), EC(xx) • PH(xx), PL(xx), PC(xx) 		

NOTE: If your problem persists after performing the checks and diagnostics above, turn off your unit immediately and contact an authorized service center.

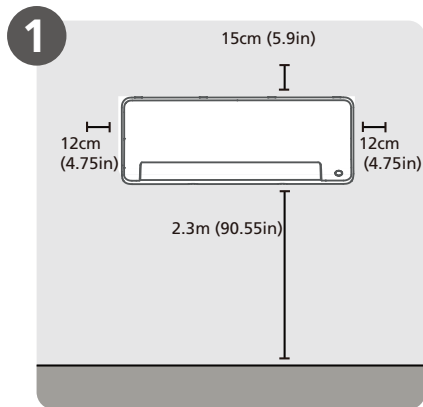
Accessories

The air conditioning system comes with the following accessories. Use all of the installation parts and accessories to install the air conditioner. Improper installation may result in water leakage, electrical shock and fire, or cause the equipment to fail. The items are not included with the air conditioner must be purchased separately.

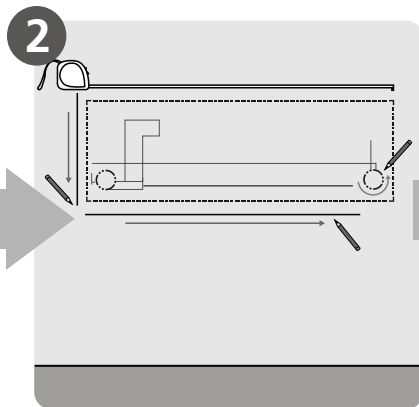
Name of Accessories	Q'ty(pc)	Shape	Name of Accessories	Q'ty(pc)	Shape
Manual	2-3		Remote controller	1	
Drain joint (for cooling & heating models)	1		Battery	2	
Seal (for cooling & heating models)	1		Remote controller holder(optional)	1	
Mounting plate	1		Fixing screw for remote controller holder(optional)	2	
Anchor	5~8 (depending on models)		Small Filter (Need to be installed on the back of main air filter by the authorized technician while installing the machine)	1~2 (depending on models)	
Mounting plate fixing screw	5~8 (depending on models)				

Name	Shape	Quantity(PC)	
Connecting pipe assembly	Liquid side	Φ 6.35 (1/4in)	Parts you must purchase separately. Consult the dealer about the proper pipe size of the unit you purchased.
		Φ 9.52 (3/8in)	
	Gas side	Φ 9.52 (3/8in)	
		Φ 12.7 (1/2in)	
		Φ 16 (5/8in)	
Φ 19 (3/4in)			
Magnetic ring and belt (if supplied ,please refer to the wiring diagram to install it on the connective cable.)		Varies by model	

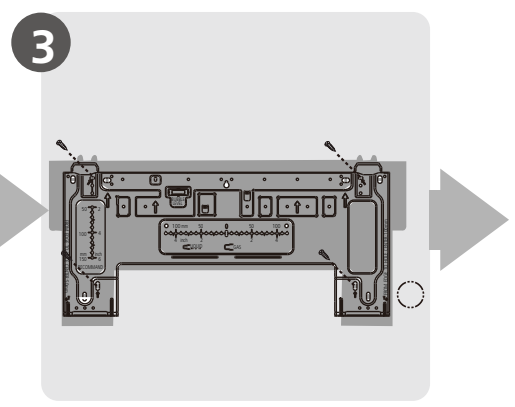
Installation Summary - Indoor Unit



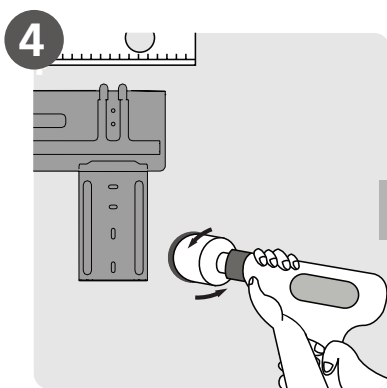
Select Installation Location



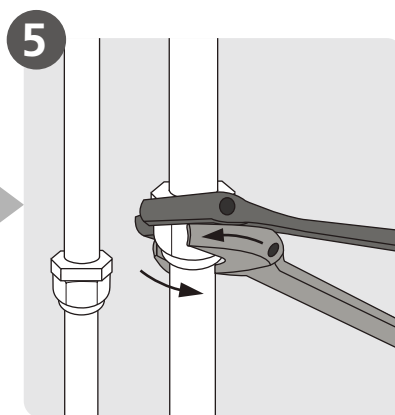
Determine Wall Hole Position



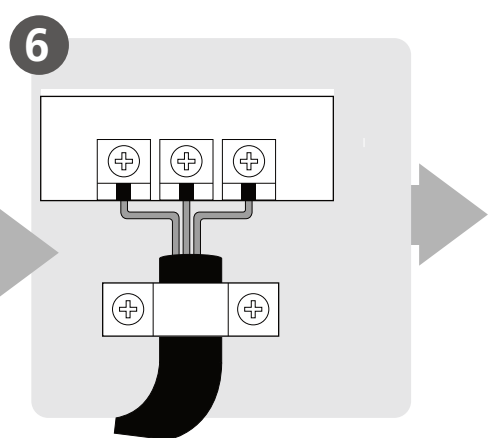
Attach Mounting Plate



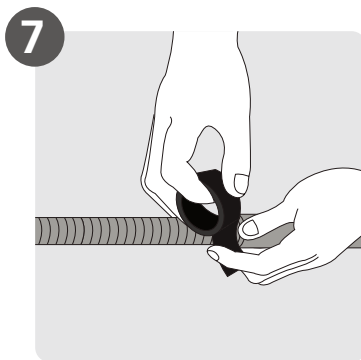
Drill Wall Hole



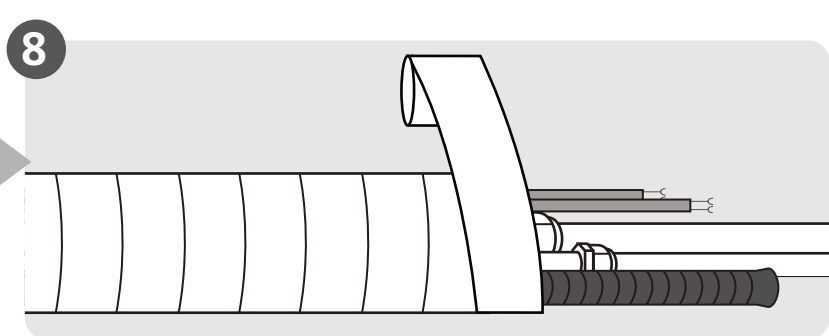
Connect Piping



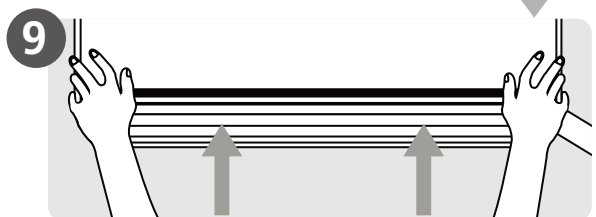
Connect Wiring
(not applicable for some locations in North America)



Prepare Drain Hose



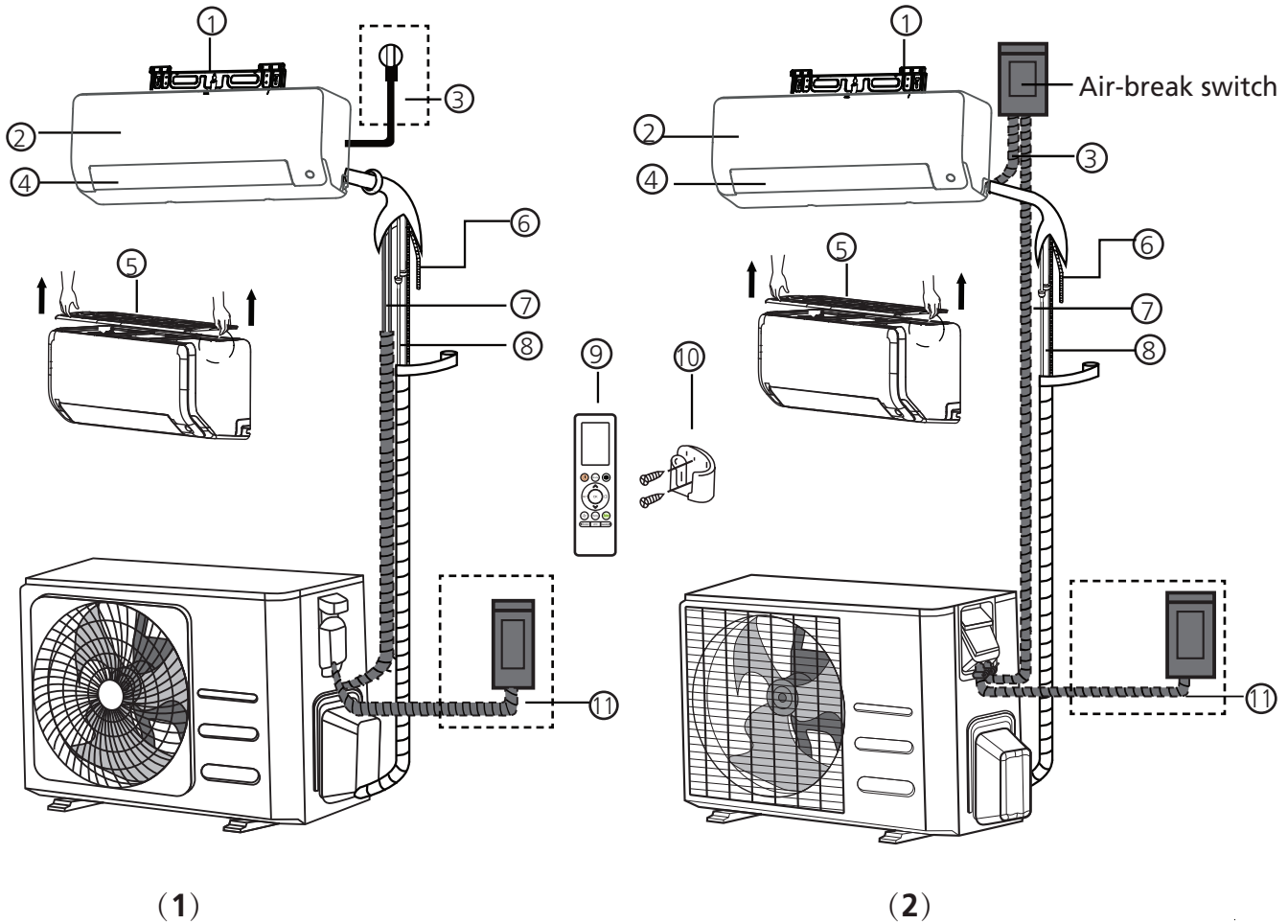
Wrap Piping and Cable
(not applicable for some locations in North America)



Mount Indoor Unit

Unit Parts

NOTE: The installation must be performed in accordance with the requirement of local and national standards. The installation may be slightly different in different areas.



- | | | |
|----------------------------|---------------------------|---|
| ① Wall Mounting Plate | ⑤ Air filter(pull it out) | ⑨ Remote Controller |
| ② Front Panel | ⑥ Drainage Pipe | ⑩ Remote Controller Holder (Some Units) |
| ③ Power Cable (Some Units) | ⑦ Signal Cable | ⑪ Outdoor Unit Power Cable (Some Units) |
| ④ Louver | ⑧ Refrigerant Piping | |

NOTE ON ILLUSTRATIONS

Illustrations in this manual are for explanatory purposes. The actual shape of your indoor unit may be slightly different. The actual shape shall prevail.

Indoor Unit Installation

Installation Instructions – Indoor unit

PRIOR TO INSTALLATION

Before installing the indoor unit, refer to the label on the product box to make sure that the model number of the indoor unit matches the model number of the outdoor unit.

Step 1: Select installation location

Before installing the indoor unit, you must choose an appropriate location. The following are standards that will help you choose an appropriate location for the unit.

Proper installation locations meet the following standards:

- Good air circulation
- Convenient drainage
- Noise from the unit will not disturb other people
- Firm and solid—the location will not vibrate
- Strong enough to support the weight of the unit
- A location at least one meter from all other electrical devices (e.g., TV, radio, computer)

DO NOT install unit in the following locations:

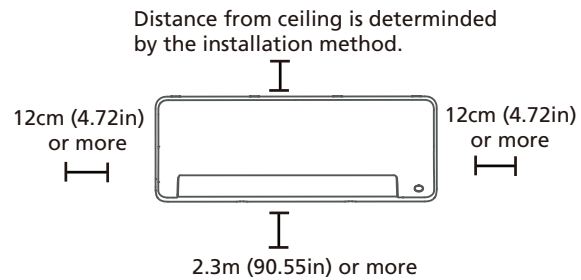
- Near any source of heat, steam, or combustible gas
- Near flammable items such as curtains or clothing
- Near any obstacle that might block air circulation
- Near the doorway
- In a location subject to direct sunlight

NOTE ABOUT WALL HOLE:

If there is no fixed refrigerant piping:

While choosing a location, be aware that you should leave ample room for a wall hole (see **Drill wall hole for connective piping** step) for the signal cable and refrigerant piping that connect the indoor and outdoor units. The default position for all piping is the right side of the indoor unit (while facing the unit). However, the unit can accommodate piping to both the left and right.

Refer to the following diagram to ensure proper distance from walls and ceiling:



NOTE:

● If no need the back holder to prop up the unit:

Finishing the pipe and cable connections before mount the indoor unit on the wall. If the installation height is limited, 5cm from the ceiling is allowable, but this can lower product performance. To ensure enough space to install and remove the top air filter, keep at least 10cm or more from the ceiling.

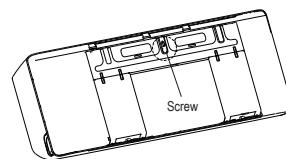
● Need the back holder to prop up the unit:

If connecting pipe and cable with front panel open, the minimum distance from ceiling is 22cm or more, if connecting pipe and cable without front panel(remove it) , the minimum distance from ceiling is 11cm or more.

Step 2: Attach mounting plate to wall

The mounting plate is the device on which you will mount the indoor unit.

- Remove the screw that attaches the mounting plate to the back of the indoor unit.



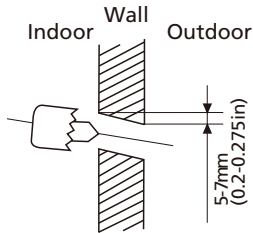
- Secure the mounting plate to the wall with the screws provided. Make sure that mounting plate is flat against the wall.

NOTE FOR CONCRETE OR BRICK WALLS:

If the wall is made of brick, concrete, or similar material, drill 5mm-diameter (0.2in-diameter) holes in the wall and insert the sleeve anchors provided. Then secure the mounting plate to the wall by tightening the screws directly into the clip anchors.

Step 3: Drill wall hole for connective piping

1. Determine the location of the wall hole based on the position of the mounting plate. Refer to **Mounting Plate Dimensions**.
2. Using a 65mm (2.5in) or 90mm(3.54in) (depending on models)core drill, drill a hole in the wall. Make sure that the hole is drilled at a slight downward angle, so that the outdoor end of the hole is lower than the indoor end by about 5mm to 7mm (0.2-0.275in). This will ensure proper water drainage.



NOTE: When the gas side connective pipe is Φ 16mm(5/8in) or more, the wall hole should be 90mm(3.54in).

3. Place the protective wall cuff in the hole. This protects the edges of the hole and will help seal it when you finish the installation process.

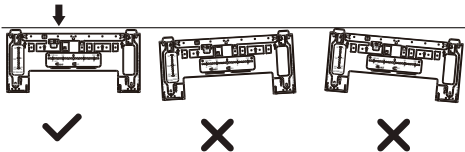
⚠ CAUTION

When drilling the wall hole, make sure to avoid wires, plumbing, and other sensitive components.

MOUNTING PLATE DIMENSIONS

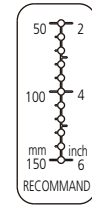
Different models have different mounting plates. For the convenience of installation, there are bubble level, carved dimensions on the mounting plate. Please install the plate and drill wall hole according to the information of the mounting plate. See the figures below.

Correct orientation of Mounting Plate



Unit: mm(inch)

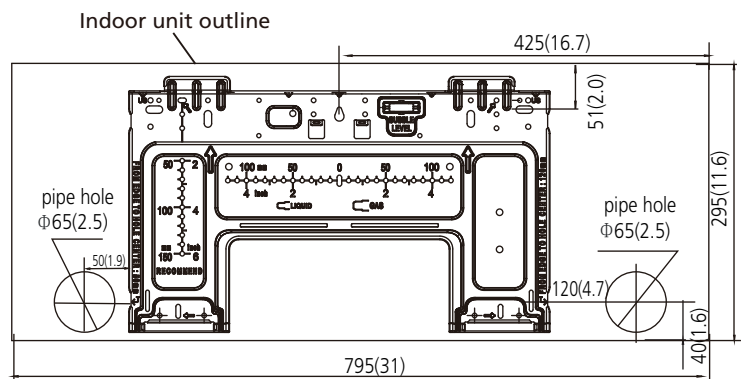
Horizontal direction ruler



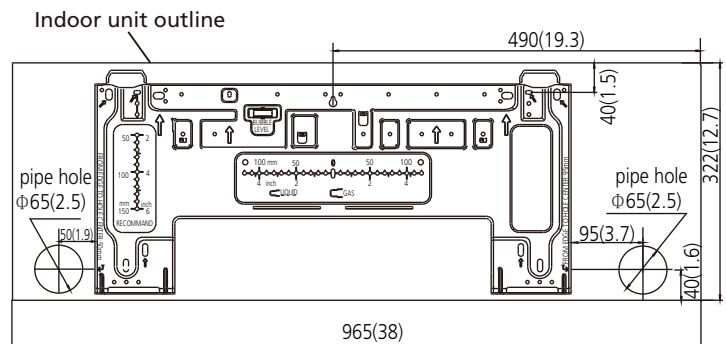
Vertical direction ruler



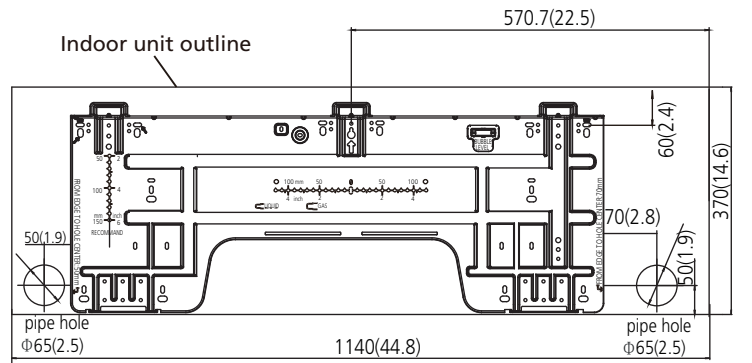
CAUTION: The Bubble level on the mounting plate can't be removed. If it is broken, make sure to clean up the leaking liquid.



Model A



Model B



Model C

Step 4: Prepare refrigerant piping

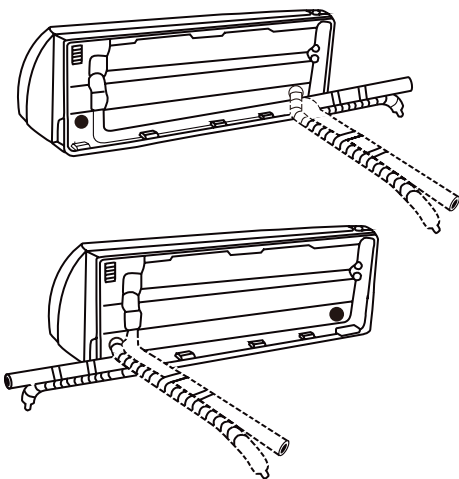
The refrigerant piping is inside an insulating sleeve attached to the back of the unit. You must prepare the piping before passing it through the hole in the wall. Refer to the **Refrigerant Piping Connection** section of this manual for detailed instructions on pipe flaring and flare torque requirements, technique, etc.

NOTE ON PIPING ANGLE

Refrigerant piping can exit the indoor unit from four different angles:

- Left-hand side
- Left rear
- Right-hand side
- Right rear

Refer to **figures below** for details.



NOTE ON PIPING CONNECTING

- In some locations of US, a conduit tube must be used to connect the cable. To ensure an enough space for the pipes running and the machine is against the wall after installation, It is recommended to attach the drain hose to the right-hand side (when you're facing the back of the unit).
- When choose Left-hand side or Right-hand side piping, please make sure that the pipes come out horizontally so as not to affect the lower panel installtion.

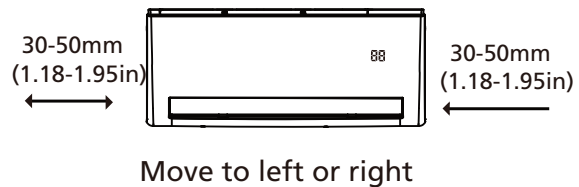
CAUTION

Be extremely careful not to dent or damage the piping while bending them away from the unit. Any dents in the piping will affect the unit's performance.

If refrigerant piping is already embedded in the wall, do the following:

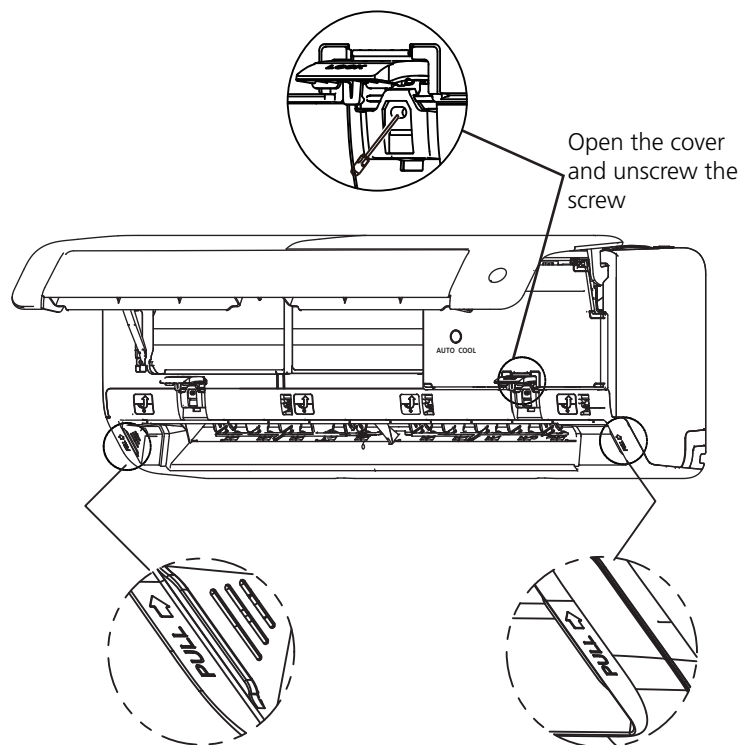
Step 1: Hook the indoor unit on the mounting plate:

1. Keep in mind that the hooks on the mounting plate are smaller than the holes on the back of the unit. If you find that you don't have ample room to connect embedded pipes to the indoor unit, the unit can be adjusted left or right by about 30-50mm (1.18-1.95in), depending on the model.

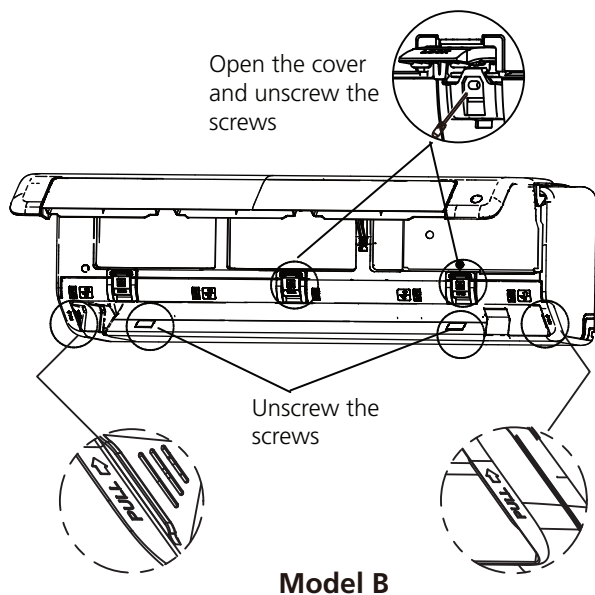


Step 2: Prepare refrigerant piping:

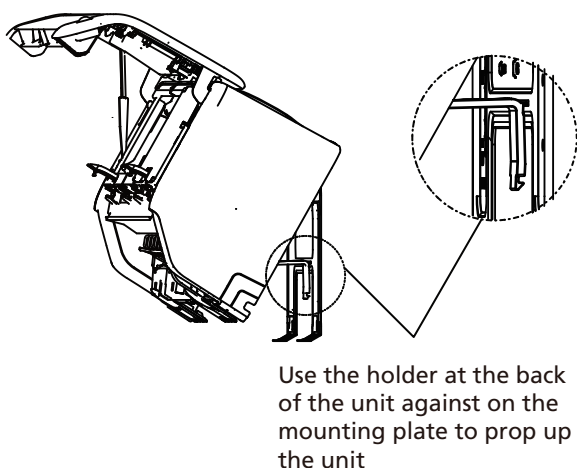
1. Open and fix the position of the panel, then, open the covers of the two lock blocks, unscrew the screw showed in the picture below, then hold both sides of the lower panel in the place marked "PULL", pull it upwards to release the buckles, then take the lower panel down.



Model A



2. Use the holder at the back of the unit to prop up the unit, giving you enough room to connect the refrigerant piping, signal cable, and drain hose.



Step 3. Connect drain hose and refrigerant piping (refer to **Refrigerant Piping Connection** section of this manual for instructions).

Step 4. Keep pipe connection point exposed to perform the leak test (refer to **Electrical Checks and Leak Checks** section of this manual).

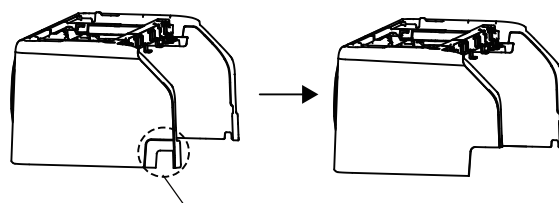
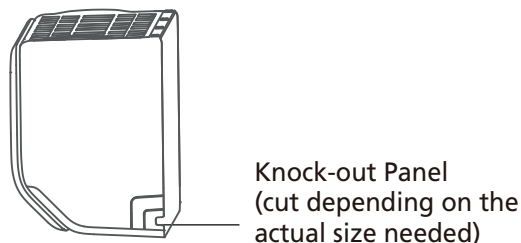
Step 5. After the leak test, wrap the connection point with insulation tape.

Step 6. Remove the bracket or wedge that is propping with insulation tape.

Step 7. Using even pressure, push down on the bottom half of the unit. Keep pushing down until the unit snaps onto the hooks along the bottom of the mounting plate.

If there is no refrigerant piping embedded in the wall, do the following:

1. Based on the position of the wall hole relative to the mounting plate, choose the side from which the piping will exit the unit.
2. If the wall hole is behind the unit, keep the knock-out panel in place. If the wall hole is to the side of the indoor unit, remove the plastic knock-out panel from that side of the unit. (See figure below). This will create a slot through which your piping can exit the unit. Use needle nose pliers if the plastic panel is too difficult to remove by hand.



3. Use scissors to cut down the length of the insulating sleeve to reveal about 40mm (1.57in) of the refrigerant piping. This serves two purposes:
 - To facilitate the **Refrigerant Piping Connection** process.
 - To facilitate **Gas Leak Checks** and enable you to check for dents
4. Use the holder at the back of the unit to prop up the unit, giving you enough room to connect the refrigerant piping, signal cable, and drain hose.
5. Connect the indoor unit's refrigerant piping to the connective piping that will join the indoor and outdoor units. Refer to the **Refrigerant Piping Connection** section of this manual for detailed instructions.
6. Based on the position of the wall hole relative to the mounting plate, determine the necessary angle of your piping.
7. Grip the refrigerant piping at the base of the bend.
8. Slowly, with even pressure, bend the piping towards the hole. **Do not** dent or damage the piping during the process.

Step 5: Connect drain hose

By default, the drain hose is attached to the left-hand side of unit (when you're facing the back of the unit). However, it can also be attached to the right-hand side. To ensure proper drainage, attach the drain hose on the same side that your refrigerant piping exits the unit.

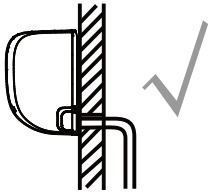
NOTE: In some locations of US, if the machine has installed the conduit panel, please choose right-hand side drainage.

- Wrap the connection point firmly with Teflon tape to ensure a good seal and to prevent leaks.
- Remove the air filter and pour a small amount of water into the drain pan to make sure that water flows from the unit smoothly.

! NOTE ON DRAIN HOSE PLACEMENT

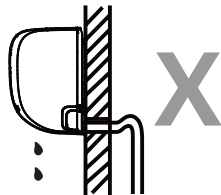
Make sure to arrange the drain hose according to the following figures.

- ⊘ **DO NOT** kink the drain hose.
- ⊘ **DO NOT** create a water trap.
- ⊘ **DO NOT** put the end of drain hose in water or a container that will collect water.



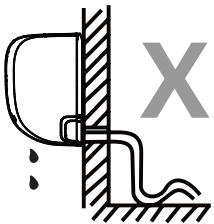
CORRECT

Make sure there are no kinks or dent in drain hose to ensure proper drainage.



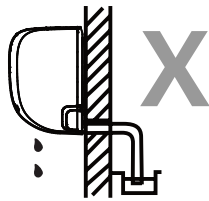
NOT CORRECT

Kinks in the drain hose will create water traps.



NOT CORRECT

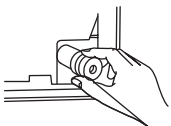
Kinks in the drain hose will create water traps.



NOT CORRECT

Do not place the end of the drain hose in water or in containers that collect water. This will prevent proper drainage.

PLUG THE UNUSED DRAIN HOLE



To prevent unwanted leaks you must plug the unused drain hole with the rubber plug provided.

! BEFORE PERFORMING ANY ELECTRICAL WORK, READ THESE REGULATIONS

1. All wiring must comply with local and national electrical codes, regulations and must be installed by a licensed electrician.
2. All electrical connections must be made according to the Electrical Connection Diagram located on the panels of the indoor and outdoor units.
3. If there is a serious safety issue with the power supply, stop work immediately. Explain your reasoning to the client, and refuse to install the unit until the safety issue is properly resolved.
4. Power voltage should be within 90-110% of rated voltage. Insufficient power supply can cause malfunction, electrical shock, or fire.
5. If connecting power to fixed wiring, a surge protector and main power switch should be installed.
6. If connecting power to fixed wiring, a switch or circuit breaker that disconnects all poles and has a contact separation of at least 1/8in (3mm) must be incorporated in the fixed wiring. The qualified technician must use an approved circuit breaker or switch.
7. Only connect the unit to an individual branch circuit outlet. Do not connect another appliance to that outlet.
8. Make sure to properly ground the air conditioner.
9. Every wire must be firmly connected. Loose wiring can cause the terminal to overheat, resulting in product malfunction and possible fire.
10. Do not let wires touch or rest against refrigerant tubing, the compressor, or any moving parts within the unit.
11. If the unit has an auxiliary electric heater, it must be installed at least 1 meter (40in) away from any combustible materials.
12. To avoid getting an electric shock, never touch the electrical components soon after the power supply has been turned off. After turning off the power, always wait 10 minutes or more before you touch the electrical components.

! WARNING

BEFORE PERFORMING ANY ELECTRICAL OR WIRING WORK, TURN OFF THE MAIN POWER TO THE SYSTEM.

Step 6: Connect signal and power cables

The signal cable enables communication between the indoor and outdoor units. You must first choose the right cable size before preparing it for connection.

Cable Types

- **Indoor Power Cable** (if applicable): H05VV-F or H05V2V2-F
- **Outdoor Power Cable:** H07RN-F or H05RN-F
- **Signal Cable:** H07RN-F

NOTE: In North America, choose the cable type according to the local electrical codes and regulations.

Minimum Cross-Sectional Area of Power and Signal Cables (For reference) (Not applicable for North America)

Rated Current of Appliance (A)	Nominal Cross-Sectional Area (mm ²)
> 3 and ≤ 6	0.75
> 6 and ≤ 10	1
> 10 and ≤ 16	1.5
> 16 and ≤ 25	2.5
> 25 and ≤ 32	4
> 32 and ≤ 40	6

CHOOSE THE RIGHT CABLE SIZE

The size of the power supply cable, signal cable, fuse, and switch needed is determined by the maximum current of the unit. The maximum current is indicated on the nameplate located on the side panel of the unit. Refer to this nameplate to choose the right cable, fuse, or switch.

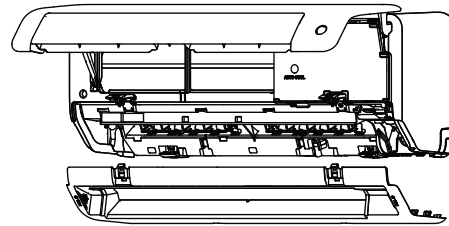
NOTE: In North America, please choose the right cable size according to the Minimum Circuit Ampacity indicated on the nameplate of the unit.

1. Open and fix the position of the panel, then, open the covers of the two lock blocks, unscrew the screw, then hold both sides of the lower panel in the place marked "PULL", pull it upwards to release the buckles, then take the lower panel down (please refer to Page 22-23).
2. Open the wire box cover to connect the cable.
3. Unscrew the cable clamp below the terminal block and place it to the side.
4. Facing the back of the unit, remove the plastic panel on the bottom left-hand side.

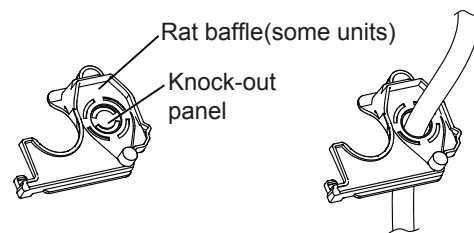
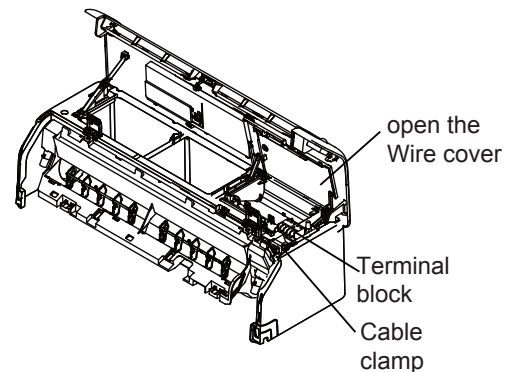
⚠ WARNING

ALL WIRING MUST BE PERFORMED STRICTLY IN ACCORDANCE WITH THE WIRING DIAGRAM LOCATED ON THE BACK OF THE INDOOR UNIT'S FRONT PANEL .

5. Feed the signal wire through this slot, from the back of the unit to the front.
6. Facing the front of the unit, connect the wire according to the indoor unit's wiring diagram, connect the u-lug and firmly screw each wire to its corresponding terminal.



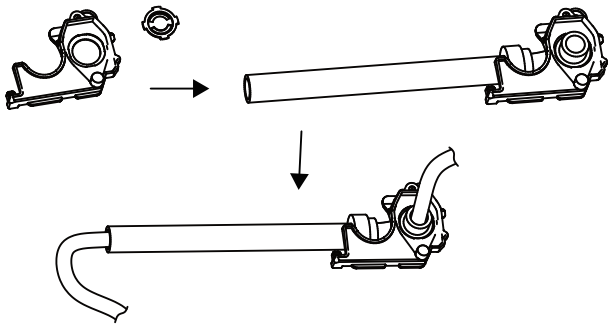
First open the front panel, then remove the lower panel.



NOTE: If the size of the cable is too big, remove the middle small plastic knock-out panel to create a slot through which the cable can exit. If you want to remove the chassis or drain hose, please remove the rat baffle first.

In North America

First remove the knock-out panel to create a slot through which the conduit tube can install. Then make the cable through the conduit tube and connect to the indoor unit.



⚠ CAUTION

DO NOT MIX UP LIVE AND NULL WIRES

This is dangerous, and can cause the air conditioning unit to malfunction.

7. After checking to make sure every connection is secure, use the cable clamp to fasten the signal cable to the unit. Screw the cable clamp down tightly.
8. Replace the wire cover on the front of the unit, and the plastic panel on the back.

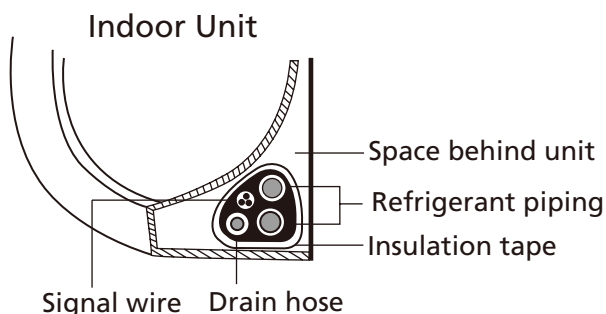
! NOTE ABOUT WIRING

THE WIRING CONNECTION PROCESS MAY DIFFER SLIGHTLY BETWEEN UNITS AND REGIONS.

Step 7: Wrapping and cables

Before passing the piping, drain hose, and the signal cable through the wall hole, you must bundle them together to save space, protect them, and insulate them (This may not be applicable for some locations in US).

1. Bundle the drain hose, refrigerant pipes, and signal cable as shown below:



DRAIN HOSE MUST BE ON BOTTOM

Make sure that the drain hose is at the bottom of the bundle. Putting the drain hose at the top of the bundle can cause the drain pan to overflow, which can lead to fire or water damage.

DO NOT INTERTWINE SIGNAL CABLE WITH OTHER WIRES

While bundling these items together, do not intertwine or cross the signal cable with any other wiring.

2. Using adhesive vinyl tape, attach the drain hose to the underside of the refrigerant pipes.
3. Using insulation tape, wrap the signal wire, refrigerant pipes, and drain hose tightly together. Double-check that all items are bundled.

DO NOT WRAP ENDS OF PIPING

When wrapping the bundle, keep the ends of the piping unwrapped. You need to access them to test for leaks at the end of the installation process (refer to **Electrical Checks and Leak Checks** section of this manual)

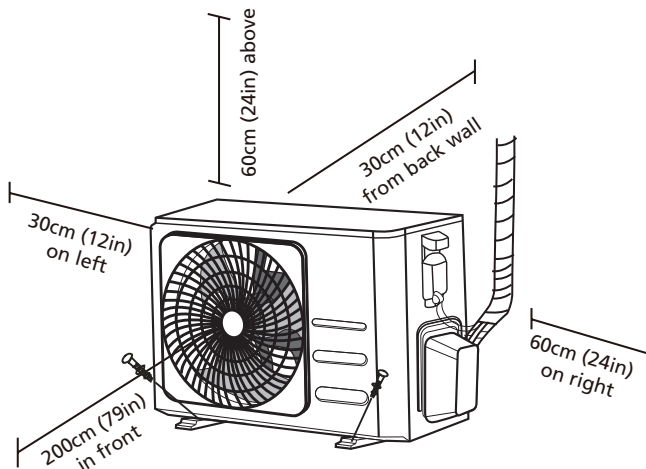
Step 8: Mount indoor unit

If you installed new connective piping to the outdoor unit, do the following:

1. If you have already passed the refrigerant piping through the hole in the wall, proceed to Step 4.
2. Otherwise, double-check that the ends of the refrigerant pipes are sealed to prevent dirt or foreign materials from entering the pipes.
3. Slowly pass the wrapped bundle of refrigerant pipes, drain hose, and signal wire through the hole in the wall.
4. Hook the top of the indoor unit on the upper hook of the mounting plate.
5. Check that unit is hooked firmly on mounting by applying slight pressure to the left and right-hand sides of the unit. The unit should not jiggle or shift.
6. Using even pressure, push down on the bottom half of the unit. Keep pushing down until the unit snaps onto the hooks along the bottom of the mounting plate.
7. Again, check that the unit is firmly mounted by applying slight pressure to the left and the right-hand sides of the unit.

Outdoor Unit Installation

Install the unit by following local codes and regulations, there may be differ slightly between different regions.



Installation Instructions – Outdoor unit

Step 1: Select installation location

Before installing the outdoor unit, you must choose an appropriate location. The following are standards that will help you choose an appropriate location for the unit.

Proper installation locations meet the following standards:

- Meets all spatial requirements shown in Installation Space Requirements above.
- Good air circulation and ventilation
- Firm and solid—the location can support the unit and will not vibrate
- Noise from the unit will not disturb others
- Protected from prolonged periods of direct sunlight or rain
- Where snowfall is anticipated, raise the unit above the base pad to prevent ice buildup and coil damage. Mount the unit high enough to be above the average accumulated area snowfall. The minimum height must be 18 inches

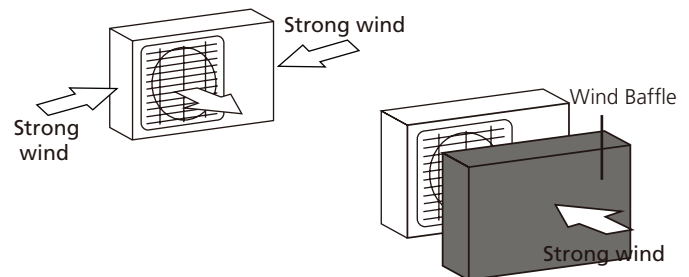
DO NOT install unit in the following locations:

- ⊘ Near an obstacle that will block air inlets and outlets
- ⊘ Near a public street, crowded areas, or where noise from the unit will disturb others
- ⊘ Near animals or plants that will be harmed by hot air discharge
- ⊘ Near any source of combustible gas
- ⊘ In a location that is exposed to large amounts of dust
- ⊘ In a location exposed to a excessive amounts of salty air

SPECIAL CONSIDERATIONS FOR EXTREME WEATHER

If the unit is exposed to heavy wind:

Install unit so that air outlet fan is at a 90° angle to the direction of the wind. If needed, build a barrier in front of the unit to protect it from extremely heavy winds. See Figures below.



If the unit is frequently exposed to heavy rain or snow:

Build a shelter above the unit to protect it from the rain or snow. Be careful not to obstruct air flow around the unit.

If the unit is frequently exposed to salty air (seaside):

Use outdoor unit that is specially designed to resist corrosion.

Step 2: Install drain joint(Heat pump unit only)

Before bolting the outdoor unit in place, you must install the drain joint at the bottom of the unit. Note that there are two different types of drain joints depending on the type of outdoor unit.

If the drain joint comes with a rubber seal

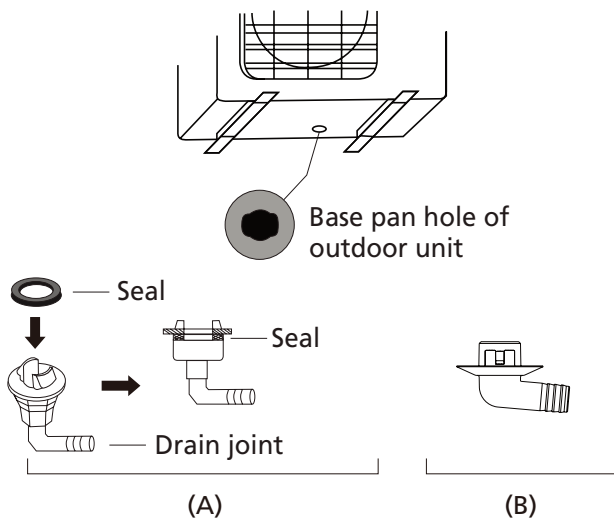
(see Fig. A), do the following:

1. Fit the rubber seal on the end of the drain joint that will connect to the outdoor unit.
2. Insert the drain joint into the hole in the base pan of the unit.
3. Rotate the drain joint 90° until it clicks in place facing the front of the unit.
4. Connect a drain hose extension (not included) to the drain joint to redirect water from the unit during heating mode.

If the drain joint doesn't come with a rubber seal

(see Fig. B), do the following:

1. Insert the drain joint into the hole in the base pan of the unit. The drain joint will click in place.
2. Connect a drain hose extension (not included) to the drain joint to redirect water from the unit during heating mode.

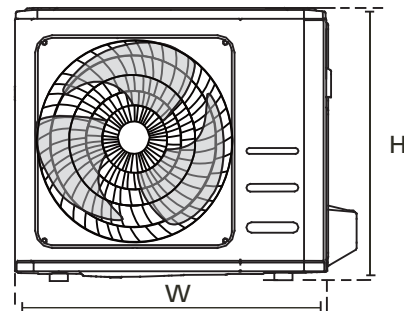
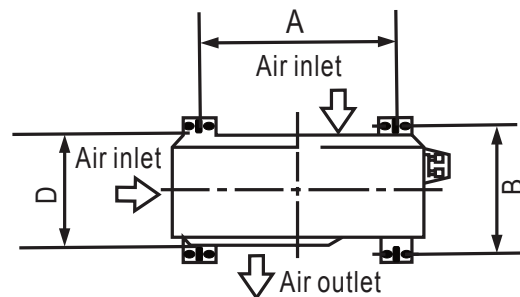


Step 3: Anchor outdoor unit

The outdoor unit can be anchored to the ground or to a wall-mounted bracket with bolt(M10). Prepare the installation base of the unit according to the dimensions below.

UNIT MOUNTING DIMENSIONS

The following is a list of different outdoor unit sizes and the distance between their mounting feet. Prepare the installation base of the unit according to the dimensions below.



! IN COLD CLIMATES

In cold climates, make sure that the drain hose is as vertical as possible to ensure swift water drainage. If water drains too slowly, it can freeze in the hose and flood the unit.

Outdoor Unit Dimensions (mm) W x H x D	Mounting Dimensions	
	Distance A (mm)	Distance B (mm)
681x434x285 (26.8" x 17.1" x 11.2")	460 (18.1")	292 (11.5")
700x550x270 (27.5" x 21.6" x 10.6")	450 (17.7")	260 (10.2")
700x550x275 (27.5" x 21.6" x 10.8")	450 (17.7")	260 (10.2")
720x495x270 (28.3" x 19.5" x 10.6")	452 (17.8")	255 (10.0")
728x555x300 (28.7" x 21.8" x 11.8")	452 (17.8")	302(11.9")
765x555x303 (30.1" x 21.8" x 11.9")	452 (17.8")	286(11.3")
770x555x300 (30.3" x 21.8" x 11.8")	487 (19.2")	298 (11.7")
805x554x330 (31.7" x 21.8" x 12.9")	511 (20.1")	317 (12.5")
800x554x333 (31.5" x 21.8" x 13.1")	514 (20.2")	340 (13.4")
845x702x363 (33.3" x 27.6" x 14.3")	540 (21.3")	350 (13.8")
890x673x342 (35.0" x 26.5" x 13.5")	663 (26.1")	354 (13.9")
946x810x420 (37.2" x 31.9" x 16.5")	673 (26.5")	403 (15.9")
946x810x410 (37.2" x 31.9" x 16.1")	673 (26.5")	403 (15.9")

If you will install the unit on the ground or on a concrete mounting platform, do the following:

1. Mark the positions for four expansion bolts based on dimensions chart.
2. Pre-drill holes for expansion bolts.
3. Place a nut on the end of each expansion bolt.
4. Hammer expansion bolts into the pre-drilled holes.
5. Remove the nuts from expansion bolts, and place outdoor unit on bolts.
6. Put washer on each expansion bolt, then replace the nuts.
7. Using a wrench, tighten each nut until snug.



WARNING

WHEN DRILLING INTO CONCRETE, EYE PROTECTION IS RECOMMENDED AT ALL TIMES.

If you will install the unit on a wall-mounted bracket, do the following:



CAUTION

Make sure that the wall is made of solid brick, concrete, or of similarly strong material. **The wall must be able to support at least four times the weight of the unit.**

1. Mark the position of bracket holes based on dimensions chart.
2. Pre-drill the holes for the expansion bolts.
3. Place a washer and nut on the end of each expansion bolt.
4. Thread expansion bolts through holes in mounting brackets, put mounting brackets in position, and hammer expansion bolts into the wall.
5. Check that the mounting brackets are level.
6. Carefully lift unit and place its mounting feet on brackets.
7. Bolt the unit firmly to the brackets.
8. If allowed, install the unit with rubber gaskets to reduce vibrations and noise.

Step 4: Connect signal and power cables

The outside unit's terminal block is protected by an electrical wiring cover on the side of the unit. A comprehensive wiring diagram is printed on the inside of the wiring cover.



WARNING

BEFORE PERFORMING ANY ELECTRICAL OR WIRING WORK, TURN OFF THE MAIN POWER TO THE SYSTEM.

1. Prepare the cable for connection:

USE THE RIGHT CABLE

Please choose the right cable refer to "Cable types" in page 25.

CHOOSE THE RIGHT CABLE SIZE

The size of the power supply cable, signal cable, fuse, and switch needed is determined by the maximum current of the unit. The maximum current is indicated on the nameplate located on the side panel of the unit.

NOTE: In North America, please choose the right cable size according to the Minimum Circuit Ampacity indicated on the nameplate of the unit.

- Using wire strippers, strip the rubber jacket from both ends of cable to reveal about 40mm (1.57in) of the wires inside.
- Strip the insulation from the ends of the wires.
- Using a wire crimper, crimp u-lugs on the ends of the wires.

PAY ATTENTION TO LIVE WIRE

While crimping wires, make sure you clearly distinguish the Live ("L") Wire from other wires.

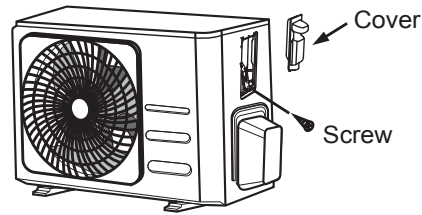


WARNING

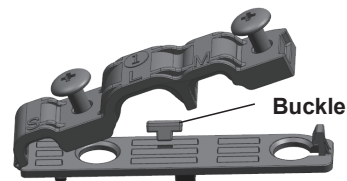
ALL WIRING WORK MUST BE PERFORMED STRICTLY IN ACCORDANCE WITH THE WIRING DIAGRAM LOCATED INSIDE OF WIRE COVER OF THE OUTDOOR UNIT .

- Unscrew the electrical wiring cover and remove it.
- Unscrew the cable clamp below the terminal block and place it to the side.
- Connect the wire according to the wiring diagram, and firmly screw the u-lug of each wire to its corresponding terminal.
- After checking to make sure every connection is secure, loop the wires around to prevent rain water from flowing into the terminal.
- Using the cable clamp, fasten the cable to the unit. Screw the cable clamp down tightly.

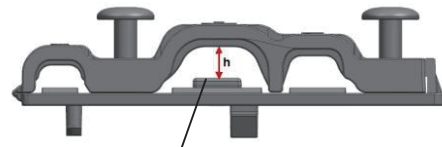
- Insulate unused wires with PVC electrical tape. Arrange them so that they do not touch any electrical or metal parts.
- Replace the wire cover on the side of the unit, and screw it in place.



NOTE: If the cable clamp looks like the following, please select the appropriate through-hole according to the diameter of the wire.



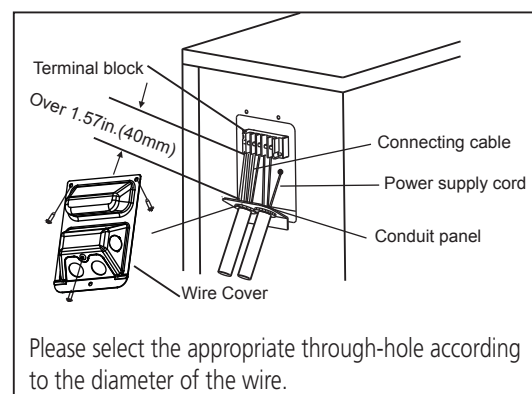
Three size hole: Small, Large, Medium



When the cable is not fasten enough, use the buckle to prop it up, so it can be clamped tightly.

In North America

- Remove the wire cover from the unit by loosening the 3 screws.
- Dismount caps on the conduit panel.
- Temporarily mount the conduit tubes(not included) on the conduit panel.
- Properly connect both the power supply and low voltage lines to the corresponding terminals on the terminal block.
- Ground the unit in accordance with local codes.
- Be sure to size each wire allowing several inches longer than the required length for wiring.
- Use lock nuts to secure the conduit tubes.



Refrigerant Piping Connection

When connecting refrigerant piping, **do not** let substances or gases other than the specified refrigerant enter the unit. The presence of other gases or substances will lower the unit's capacity, and can cause abnormally high pressure in the refrigeration cycle. This can cause explosion and injury.

Note on Pipe Length

The length of refrigerant piping will affect the performance and energy efficiency of the unit. Nominal efficiency is tested on units with a pipe length of 5 meters (16.5ft) (In North America, the standard pipe length is 7.5m (25')). A minimum pipe run of 3 metres is required to minimise vibration & excessive noise. In special tropical area, for the R290 refrigerant models, no refrigerant can be added and the maximum length of refrigerant pipe should not exceed 10 meters(32.8ft).

Refer to the table below for specifications on the maximum length and drop height of piping.

Maximum Length and Drop Height of Refrigerant Piping per Unit Model

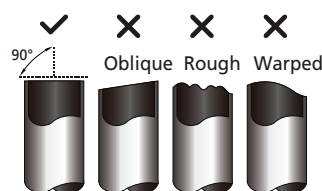
Model	Capacity (BTU/h)	Max. Length (m)	Max. Drop Height (m)
R410A,R32 Inverter Split Air Conditioner	< 15,000	25 (82ft)	10 (33ft)
	≥ 15,000 and < 24,000	30 (98.5ft)	20 (66ft)
	≥ 24,000 and < 36,000	50 (164ft)	25 (82ft)
R22 Fixed-speed Split Air Conditioner	< 18,000	10 (33ft)	5 (16ft)
	≥ 18,000 and < 21,000	15 (49ft)	8(26ft)
	≥ 21,000 and < 35,000	20 (66ft)	10(33ft)
R410A, R32 Fixed-speed Split Air Conditioner	< 18,000	20 (66ft)	8(26ft)
	≥ 18,000 and < 36,000	25 (82ft)	10(33ft)

Connection Instructions – Refrigerant Piping

Step 1: Cut pipes

When preparing refrigerant pipes, take extra care to cut and flare them properly. This will ensure efficient operation and minimize the need for future maintenance.

1. Measure the distance between the indoor and outdoor units.
2. Using a pipe cutter, cut the pipe a little longer than the measured distance.
3. Make sure that the pipe is cut at a perfect 90° angle.



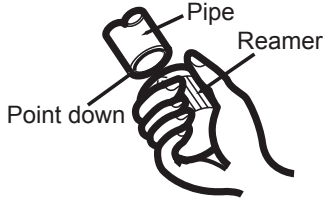
DO NOT DEFORM PIPE WHILE CUTTING

Be extra careful not to damage, dent, or deform the pipe while cutting. This will drastically reduce the heating efficiency of the unit.

Step 2: Remove burrs

Burrs can affect the air-tight seal of refrigerant piping connection. They must be completely removed.

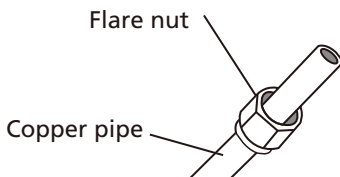
1. Hold the pipe at a downward angle to prevent burrs from falling into the pipe.
2. Using a reamer or deburring tool, remove all burrs from the cut section of the pipe.



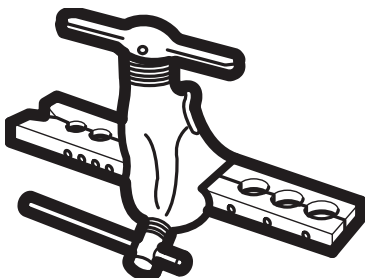
Step 3: Flare pipe ends

Proper flaring is essential to achieve an airtight seal.

1. After removing burrs from cut pipe, seal the ends with PVC tape to prevent foreign materials from entering the pipe.
2. Sheath the pipe with insulating material.
3. Place flare nuts on both ends of pipe. Make sure they are facing in the right direction, because you can't put them on or change their direction after flaring.

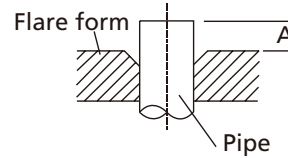


4. Remove PVC tape from ends of pipe when ready to perform flaring work.
5. Clamp flare form on the end of the pipe. The end of the pipe must extend beyond the edge of the flare form in accordance with the dimensions shown in the table below.



PIPING EXTENSION BEYOND FLARE FORM

Outer Diameter of Pipe (mm)	A (mm)	
	Min.	Max.
Ø 6.35 (Ø 0.25")	0.7 (0.0275")	1.3 (0.05")
Ø 9.52 (Ø 0.375")	1.0 (0.04")	1.6 (0.063")
Ø 12.7 (Ø 0.5")	1.0 (0.04")	1.8 (0.07")
Ø 16 (Ø 0.63")	2.0 (0.078")	2.2 (0.086")
Ø 19 (Ø 0.75")	2.0 (0.078")	2.4 (0.094")



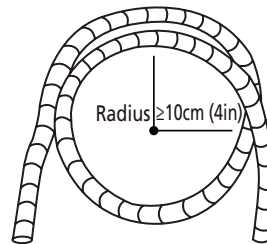
6. Place flaring tool onto the form.
7. Turn the handle of the flaring tool clockwise until the pipe is fully flared.
8. Remove the flaring tool and flare form, then inspect the end of the pipe for cracks and even flaring.

Step 4: Connect pipes

When connecting refrigerant pipes, be careful not to use excessive torque or to deform the piping in any way. You should first connect the low-pressure pipe, then the high-pressure pipe.

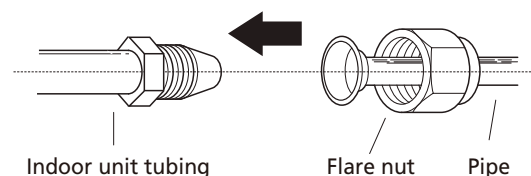
MINIMUM BEND RADIUS

When bending connective refrigerant piping, the minimum bending radius is 10cm.

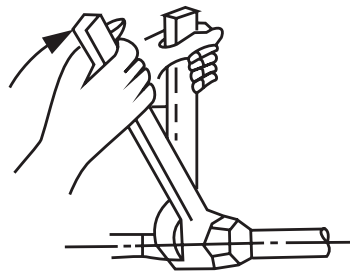


Instructions for Connecting Piping to Indoor Unit

1. Align the center of the two pipes that you will connect.



- Tighten the flare nut as tightly as possible by hand.
- Using a spanner, grip the nut on the unit tubing.
- While firmly gripping the nut on the unit tubing, use a torque wrench to tighten the flare nut according to the torque values in the **Torque Requirements** table below. Loosen the flaring nut slightly, then tighten again.



TORQUE REQUIREMENTS

Outer Diameter of Pipe (mm)	Tightening Torque (N•m)	Flare dimension(B) (mm)	Flare shape
Ø 6.35 (Ø 0.25")	18~20(180~200kgf.cm)	8.4~8.7 (0.33~0.34")	
Ø 9.52 (Ø 0.375")	32~39(320~390kgf.cm)	13.2~13.5 (0.52~0.53")	
Ø 12.7 (Ø 0.5")	49~59(490~590kgf.cm)	16.2~16.5 (0.64~0.65")	
Ø 16 (Ø 0.63")	57~71(570~710kgf.cm)	19.2~19.7 (0.76~0.78")	
Ø 19 (Ø 0.75")	67~101(670~1010kgf.cm)	23.2~23.7 (0.91~0.93")	

⊘ DO NOT USE EXCESSIVE TORQUE

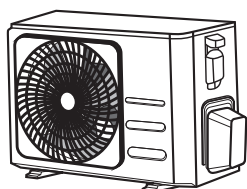
Excessive force can break the nut or damage the refrigerant piping. You must not exceed torque requirements shown in the table above.

Instructions for Connecting Piping to Outdoor Unit

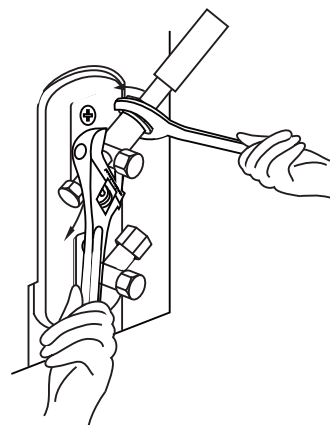
- Unscrew the cover from the packed valve on the side of the outdoor unit.
- Remove protective caps from ends of valves.
- Align flared pipe end with each valve, and tighten the flare nut as tightly as possible by hand.
- Using a spanner, grip the body of the valve. Do not grip the nut that seals the service valve.
- Loosen the flaring nut slightly, then tighten again.
- Repeat Steps 3 to 6 for the remaining pipe.

! USE SPANNER TO GRIP MAIN BODY OF VALVE

Torque from tightening the flare nut can snap off other parts of valve.



Valve cover



- While firmly gripping the body of the valve, use a torque wrench to tighten the flare nut according to the correct torque values.

Air Evacuation

Preparations and Precautions

Air and foreign matter in the refrigerant circuit can cause abnormal rises in pressure, which can damage the air conditioner, reduce its efficiency, and cause injury. Use a vacuum pump and manifold gauge to evacuate the refrigerant circuit, removing any non-condensable gas and moisture from the system.

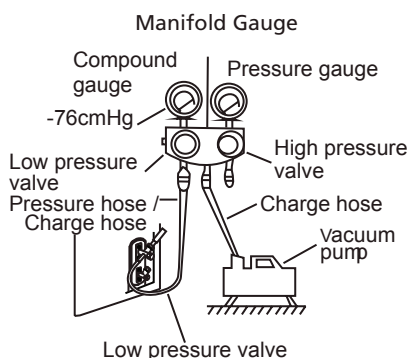
Evacuation should be performed upon initial installation and when unit is relocated.

BEFORE PERFORMING EVACUATION

- ☑ Check to make sure the connective pipes between the indoor and outdoor units are connected properly.
- ☑ Check to make sure all wiring is connected properly.

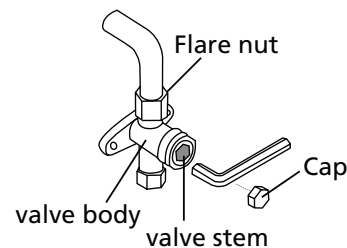
Evacuation Instructions

1. Connect the charge hose of the manifold gauge to service port on the outdoor unit's low pressure valve.
2. Connect another charge hose from the manifold gauge to the vacuum pump.
3. Open the Low Pressure side of the manifold gauge. Keep the High Pressure side closed.
4. Turn on the vacuum pump to evacuate the system.
5. Run the vacuum for at least 15 minutes, or until the Compound Meter reads -76cmHG (-10⁵Pa).



6. Close the Low Pressure side of the manifold gauge, and turn off the vacuum pump.
7. Wait for 5 minutes, then check that there has been no change in system pressure.

8. If there is a change in system pressure, refer to Gas Leak Check section for information on how to check for leaks. If there is no change in system pressure, unscrew the cap from the packed valve (high pressure valve).
9. Insert hexagonal wrench into the packed valve (high pressure valve) and open the valve by turning the wrench in a 1/4 counterclockwise turn. Listen for gas to exit the system, then close the valve after 5 seconds.
10. Watch the Pressure Gauge for one minute to make sure that there is no change in pressure. The Pressure Gauge should read slightly higher than atmospheric pressure.
11. Remove the charge hose from the service port.



12. Using hexagonal wrench, fully open both the high pressure and low pressure valves.
13. Tighten valve caps on all three valves (service port, high pressure, low pressure) by hand. You may tighten it further using a torque wrench if needed.

! OPEN VALVE STEMS GENTLY

When opening valve stems, turn the hexagonal wrench until it hits against the stopper. Do not try to force the valve to open further.

Note on Adding Refrigerant

Some systems require additional charging depending on pipe lengths. The standard pipe length varies according to local regulations. For example, in North America, the standard pipe length is 7.5m (25'). In other areas, the standard pipe length is 5m (16'). The refrigerant should be charged from the service port on the outdoor unit's low pressure valve. The additional refrigerant to be charged can be calculated using the following formula:

ADDITIONAL REFRIGERANT PER PIPE LENGTH

Connective Pipe Length (m)	Air Purging Method	Additional Refrigerant	
≤ Standard pipe length	Vacuum Pump	N/A	
> Standard pipe length	Vacuum Pump	Liquid Side: Ø 6.35 (ø 0.25") R32: (Pipe length – standard length) x 12g/m (Pipe length – standard length) x 0.13oZ/ft R290: (Pipe length – standard length) x 10g/m (Pipe length – standard length) x 0.10oZ/ft R410A: (Pipe length – standard length) x 15g/m (Pipe length – standard length) x 0.16oZ/ft R22: (Pipe length – standard length) x 20g/m (Pipe length – standard length) x 0.21oZ/ft	Liquid Side: Ø 9.52 (ø 0.375") R32: (Pipe length – standard length) x 24g/m (Pipe length – standard length) x 0.26oZ/ft R290: (Pipe length – standard length) x 18g/m (Pipe length – standard length) x 0.19oZ/ft R410A: (Pipe length – standard length) x 30g/m (Pipe length – standard length) x 0.32oZ/ft R22: (Pipe length – standard length) x 40g/m (Pipe length – standard length) x 0.42oZ/ft

For R290 refrigerant unit, the total amount of refrigerant to be charged is no more than: 387g(≤9000Btu/h), 447g(>9000Btu/h and ≤12000Btu/h), 547g(>12000Btu/h and ≤18000Btu/h), 632g(>18000Btu/h and ≤24000Btu/h).

 **CAUTION** DO NOT mix refrigerant types.

Electrical and Gas Leak Checks

Before Test Run

Only perform test run after you have completed the following steps:

- **Electrical Safety Checks** – Confirm that the unit's electrical system is safe and operating properly
- **Gas Leak Checks** – Check all flare nut connections and confirm that the system is not leaking
- Confirm that gas and liquid (high and low pressure) valves are fully open

Electrical Safety Checks

After installation, confirm that all electrical wiring is installed in accordance with local and national regulations, and according to the Installation Manual.

BEFORE TEST RUN

Check Grounding Work

Measure grounding resistance by visual detection and with grounding resistance tester. Grounding resistance must be less than 0.1Ω .

Note: This may not be required for some locations in North America.

DURING TEST RUN

Check for Electrical Leakage

During the **Test Run**, use an electroprobe and multimeter to perform a comprehensive electrical leakage test.

If electrical leakage is detected, turn off the unit immediately and call a licensed electrician to find and resolve the cause of the leakage.

Note: This may not be required for some locations in North America.



WARNING – RISK OF ELECTRIC SHOCK

ALL WIRING MUST COMPLY WITH LOCAL AND NATIONAL ELECTRICAL CODES, AND MUST BE INSTALLED BY A LICENSED ELECTRICIAN.

Gas Leak Checks

There are two different methods to check for gas leaks.

Soap and Water Method

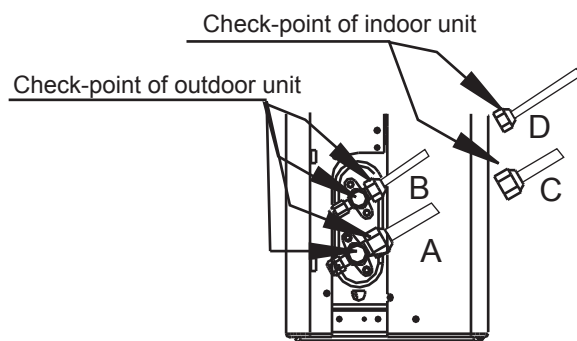
Using a soft brush, apply soapy water or liquid detergent to all pipe connection points on the indoor unit and outdoor unit. The presence of bubbles indicates a leak.

Leak Detector Method

If using leak detector, refer to the device's operation manual for proper usage instructions.

AFTER PERFORMING GAS LEAK CHECKS

After confirming that all pipe connection points DO NOT leak, replace the valve cover on the outside unit.



A: Low pressure stop valve
B: High pressure stop valve
C & D: Indoor unit flare nuts

Test Run

Test Run Instructions

You should perform the **Test Run** for at least 30 minutes.

1. Connect power to the unit.
2. Press the **ON/OFF** button on the remote controller to turn it on.
3. Press the **MODE** button to scroll through the following functions, one at a time:
 - COOL – Select lowest possible temperature
 - HEAT – Select highest possible temperature
4. Let each function run for 5 minutes, and perform the following checks:

List of Checks to Perform	PASS/FAIL	
No electrical leakage		
Unit is properly grounded		
All electrical terminals properly covered		
Indoor and outdoor units are solidly installed		
All pipe connection points do not leak	Outdoor (2):	Indoor (2):
Water drains properly from drain hose		
All piping is properly insulated		
Unit performs COOL function properly		
Unit performs HEAT function properly		
Indoor unit louvers rotate properly		
Indoor unit responds to remote controller		

DOUBLE-CHECK PIPE CONNECTIONS

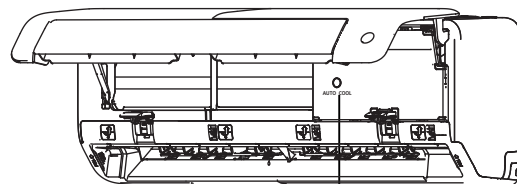
During operation, the pressure of the refrigerant circuit will increase. This may reveal leaks that were not present during your initial leak check. Take time during the Test Run to double-check that all refrigerant pipe connection points do not have leaks. Refer to **Gas Leak Check** section for instructions.

5. After the Test Run is successfully completed, and you confirm that all checks points in List of Checks to Perform have PASSED, do the following:
 - a. Using remote control, return unit to normal operating temperature.
 - b. Using insulation tape, wrap the indoor refrigerant pipe connections that you left uncovered during the indoor unit installation process.

IF AMBIENT TEMPERATURE IS BELOW 17°C (62°F)

You can't use the remote controller to turn on the COOL function when the ambient temperature is below 17°C. In this instance, you can use the **MANUAL CONTROL** button to test the COOL function.

1. The **MANUAL CONTROL** button is located on the right-hand side panel of the unit.
2. Press the button 2 times to select the COOL function.
3. Perform Test Run as normal.



Manual control button

All the pictures in the manual are for explanatory purposes only. The actual shape of the unit you purchased may be slightly different, but the operations and functions are the same. The company may not be held responsible for any misprinted information. The design and the specifications of the product for reasons, such as product improvement, are subject to change without any prior notice. Please consult with the manufacturer at +30 211 300 3300 or with the Local Distributor for further details.



Scan here to download the latest version of this manual.
www.inventorairconditioner.com/media-library

Activate your Warranty

Follow the next quick steps to activate your warranty:

STEP 1

Visit our website via the link:

<https://www.inventorairconditioner.com/warranty-inventor>

or by scanning the QR code, as follows:



STEP 2

Fill in the obligatory fields as requested in the "Owner's details" and "Unit's details":

To activate the warranty card, please fill in the following fields

Owner's details	Unit details
Full Name	Unit
Address*	Serial Number of the unit*

STEP 3

Click SEND button at the end of the submission form:

Subscribe to Inventor's Newsletter

I accept the terms and conditions.

once the warranty submission has been completed a confirmation message will be sent to your email

STEP 4

Wait for the confirmation email you will receive at the email address you have filled in - please also check your spam folder.

STEP 5

Inventor warranty is now valid!

Πίνακας Περιεχομένων

Οδηγίες Ασφαλείας	4
-------------------------	---

Εγχειρίδιο Χρήστη

Χαρακτηριστικά και Λειτουργίες της μονάδας	9
Ενδείξεις εσωτερικής μονάδας	9
Εύρη λειτουργίας	10
Λοιπά χαρακτηριστικά	11
Ρύθμιση κατεύθυνσης αέρα	12
Χειροκίνητη Λειτουργία (Χωρίς Τηλεχειριστήριο)	12
Φροντίδα και Συντήρηση	13
Σφάλματα.....	15

Εγχειρίδιο Εγκατάστασης

Εξαρτήματα	19
Περίληψη εγκατάστασης - Εσωτερική Μονάδα.....	20
Μέρη Μονάδας	21
Εγκατάσταση Εσωτερικής Μονάδας	22
1. Επιλέξτε τοποθεσία εγκατάστασης	22
2. Προσαρμόστε την επιτοίχια βάση	22
3. Ανοίξτε τρύπα στον τοίχο για τη σύνδεση του αγωγού	23
4. Προετοιμάστε τη σωλήνα του ψυκτικού μέσου	24
5. Ενώστε τον αγωγό αποστράγγισης	26
6. Ενώστε το καλώδιο σήματος	27
7. Τυλίξτε καλώδια και αγωγούς	28
8. Εκκινήστε την εσωτερική μονάδα	29
Εγκατάσταση Εξωτερικής Μονάδας	29
1. Επιλέξτε τοποθεσία εγκατάστασης	29
2. Εγκαταστήστε τον σύνδεσμο αποστράγγισης	30
3. Στερεώστε την εξωτερική μονάδα	30
4. Συνδέστε τα καλώδια ρεύματος και σήματος	32
Σύνδεση Αγωγού Ψυκτικού Μέσου	33
A. Σημείωση σχετικά με το μήκος αγωγού	33
B. Οδηγίες Σύνδεσης - Αγωγός Ψυκτικού Μέσου	33
1. Κόψτε τον Αγωγό	33
2. Αφαιρέστε τα γρέζια	34
3. Ενώστε τις άκρες των αγωγών.....	34
4. Συνδέστε τους αγωγούς	34
Εκκένωση Αέρα	36
1. Οδηγίες εκκένωσης.....	36
2. Σημείωση για προσθήκη ψυκτικού μέσου	37
Έλεγχος για ηλεκτρολογική διαρροή και διαρροή αερίου	38
Δοκιμαστική εκκίνηση	39

Οδηγίες Ασφαλείας

Διαβάστε τις Οδηγίες Ασφαλείας πριν την εγκατάσταση
Εσφαλμένη εγκατάσταση λόγω αγνόησης των οδηγιών μπορεί να προκαλέσει σοβαρές καταστροφές ή τραυματισμούς. Η σοβαρότητα των πιθανών καταστροφών ή τραυματισμών εμφανίζεται ως **ΠΡΟΕΙΔΟΠΟΙΗΣΗ** ή **ΠΡΟΣΟΧΗ**.



ΠΡΟΕΙΔΟΠΟΙΗΣΗ

Αυτό το σύμβολο δείχνει ότι αγνοώντας τις οδηγίες μπορεί να προκληθεί θάνατος ή σοβαρός τραυματισμός.



ΠΡΟΣΟΧΗ

Αυτό το σύμβολο δείχνει ότι αγνοώντας τις οδηγίες μπορεί να προκληθεί κάποιος τραυματισμός τόσο στον ίδιο τον άνθρωπο όσο και καταστροφές στη συσκευή ή σε άλλη ιδιοκτησία



ΠΡΟΕΙΔΟΠΟΙΗΣΗ

Αυτή η μονάδα μπορεί να χρησιμοποιηθεί από άτομα πάνω από 8 ετών και από άτομα με ειδικές ανάγκες ή έλλειψη εμπειρίας και γνώσης αρκεί να επιβλέπονται από άτομα υπεύθυνα για την ασφαλείά τους. Βεβαιωθείτε πως τα παιδιά δεν παίζουν με τη μονάδα. Ο καθαρισμός και η συντήρησή τους δεν πρέπει να γίνονται χωρίς επίβλεψη. Αυτή η συσκευή δεν προορίζεται για χρήση από άτομα (συμπεριλαμβανομένων παιδιών) με μειωμένες σωματικές, αισθητηριακές ή πνευματικές ικανότητες ή έλλειψη εμπειρίας και γνώσης, εκτός εάν επιβλέπονται ή έχουν λάβει συγκεκριμένες οδηγίες για την ορθή χρήση της συσκευής από άτομο υπεύθυνο για την ασφαλείά τους. Τα παιδιά θα πρέπει να επιβλέπονται για να διασφαλιστεί ότι δεν παίζουν με τη συσκευή.



ΠΡΟΕΙΔΟΠΟΙΗΣΕΙΣ ΚΑΤΑ ΤΗ ΧΡΗΣΗ ΤΟΥ ΠΡΟΪΟΝΤΟΣ

- Αν παρουσιαστεί ασυνήθιστη κατάσταση (όπως μυρωδιά καμένου), αμέσως απενεργοποιήστε τη μονάδα και αποσυνδέστε από τη πρίζα. Καλέστε τον προμηθευτή σας για οδηγίες ώστε να αποφύγετε ηλεκτροπληξία, φωτιά ή τραυματισμό.
- **Μην** βάζετε τα δάχτυλά σας, ράβδους ή άλλα αντικείμενα μέσα στην είσοδο και έξοδο αέρα. Αυτό μπορεί να προκαλέσει τραυματισμό, αφού ο ανεμιστήρας μπορεί να περιστρέφεται σε υψηλές ταχύτητες.
- **Μην** χρησιμοποιείτε εύφλεκτα σπρέι όπως σπρέι μαλλιών, βερνίκια ή χρώματα κοντά στη μονάδα. Αυτό μπορεί να προκαλέσει φωτιά ή έκρηξη.
- **Μην** χρησιμοποιείτε το κλιματιστικό σε μέρη κοντά ή γύρω από εύφλεκτα αέρια. Αποβαλλόμενο αέριο μπορεί να μαζευτεί γύρω από τη μονάδα και να προκαλέσει έκρηξη.
- **Μην** χρησιμοποιείτε το κλιματιστικό σε δωμάτιο με νερό (πχ. μπάνιο ή δωμάτιο με μπουγάδα). Αυτό μπορεί να προκαλέσει ηλεκτροπληξία και να προκαλέσει καταστροφές στο προϊόν.
- **Μην** εκθέτετε το σώμα σας ακριβώς μπροστά από το κλιματιστικό για πολλή ώρα.
- **Μην** αφήνετε τα παιδιά να παίζουν με το κλιματιστικό. Τα παιδιά πρέπει να επιβλέπονται αναφορικά με τη μονάδα κάθε στιγμή.
- Αν το κλιματιστικό χρησιμοποιείτε μαζί με εστίες ή άλλες θερμαντικές συσκευές, αερίστε το δωμάτιο για επαρκές οξυγόνο στο χώρο
- Σε χώρους ειδικών χρήσεων, όπως κουζίνες, δωμάτια server κλπ, προτείνεται η χρήση ειδικού τύπου κλιματιστικής μονάδας

ΠΡΟΕΙΔΟΠΟΙΗΣΕΙΣ ΚΑΘΑΡΙΣΜΟΥ ΚΑΙ ΣΥΝΤΗΡΗΣΗΣ

- Απενεργοποιήστε το μηχάνημα και αποσυνδέστε από τη πρίζα πριν καθαρίσετε. Διαφορετικά μπορεί να προκληθεί ηλεκτροπληξία.
- **Μην** καθαρίζετε το κλιματιστικό με μεγάλες ποσότητες νερού.
- **Μην** καθαρίζετε το κλιματιστικό με εύφλεκτα μέσα. Εύφλεκτες ουσίες μπορεί να προκαλέσουν φωτιά ή παραμόρφωση.

⚠ ΠΡΟΣΟΧΗ

- Απενεργοποιήστε το κλιματιστικό και αφαιρέστε το από το ρεύμα εάν δεν πρόκειται να το χρησιμοποιήσετε για μεγάλο διάστημα.
- Απενεργοποιήστε και αφαιρέστε από το ρεύμα το κλιματιστικό κατά την διάρκεια καταιγίδων.
- Σιγουρευτείτε ότι δεν υπάρχει μπλοκάρισμα στον αγωγό αποχέτευσης.
- **Μην** χειρίζεστε το κλιματιστικό με βρεγμένα χέρια. Αυτό μπορεί να προκαλέσει ηλεκτροπληξία.
- **Μην** χρησιμοποιείτε το κλιματιστικό με διαφορετικό τρόπο από την προτεινόμενη χρήση του.
- **Μην** κρέμεστε ή τοποθετείτε αντικείμενα επάνω στην εξωτερική μονάδα.
- **Μην** επιτρέπετε την λειτουργία του κλιματιστικού για μεγάλες χρονικές περιόδους με ανοιχτές πόρτες ή παράθυρα, ή όταν η υγρασία του χώρου είναι πολύ μεγάλη.

⚠ ΠΡΟΕΙΔΟΠΟΙΗΣΕΙΣ ΡΕΥΜΑΤΟΣ

- Χρησιμοποιήστε συγκεκριμένο καλώδιο παροχής ρεύματος. Αν είναι κατεστραμμένο, θα πρέπει να αντικατασταθεί από τον κατασκευαστή ή από πιστοποιημένο κέντρο σέρβις.
- Κρατήστε καθαρή τη πρίζα. Αφαιρέστε τη σκόνη και τη βρωμιά που έχει συγκεντρωθεί γύρω από τη πρίζα. Βρώμικες πρίζες μπορούν να προκαλέσουν φωτιά ή ηλεκτροπληξία
- **Μην** τραβάτε το καλώδιο για να αποσυνδέσετε τη μονάδα. Κρατήστε σταθερά τα δυο μέρη και αφαιρέστε. Τραβώντας απότομα τη πρίζα μπορεί προκληθούν ζημιές, που μπορεί να οδηγήσουν σε φωτιά ή ηλεκτροπληξία
- **Μην** χρησιμοποιείτε προέκταση καλωδίου, μην προεκτείνετε χειροκίνητα το καλώδιο και μην συνδέετε άλλες συσκευές στην ίδια πρίζα με το κλιματιστικό. Κακή ηλεκτρολογική σύνδεση, μειωμένη παροχή και αναποτελεσματική τάση μπορεί να προκαλέσουν πυρκαγιά
- Το κλιματιστικό πρέπει να είναι σωστά γειωμένο κατά την εγκατάσταση, αλλιώς υπάρχει πιθανότητα ηλεκτροπληξίας.
- Για ηλεκτρολογικές διεργασίες, ακολουθήστε τις τοπικές και εθνικές ηλεκτρολογικές προδιαγραφές, νόμους, καθώς και οι οδηγίες του παρόντος εγχειριδίου. Ενώστε τα καλώδια σφιχτά και σφίξτε τα με απόλυτη ασφάλεια ώστε να εμποδίσετε εξωτερικούς παράγοντες να προκαλέσουν καταστροφές. Εσφαλμένη ηλεκτρολογική σύνδεση μπορεί να προκαλέσει υπερθέρμανση, φωτιά και ηλεκτροπληξία. Όλα τα καλώδια θα πρέπει να είναι σωστά τοποθετημένα ώστε να διασφαλίζεται το σωστό κλείσιμο του πίνακα ελέγχου. Αν δεν έχει γίνει σωστό κλείσιμο του πίνακα ελέγχου, μπορεί να οδηγήσει σε διάβρωση, υπερθέρμανση, φωτιά και ηλεκτροπληξία.

ΣΗΜΕΙΩΣΗ ΓΙΑ ΤΙΣ ΗΛΕΚΤΡΟΛΟΓΙΚΕΣ ΑΣΦΑΛΕΙΕΣ

Το ηλεκτρονικό κύκλωμα του κλιματιστικού έχει σχεδιαστεί με ασφάλειες για προστασία από υπερβολική παροχή ρεύματος.

Οι προδιαγραφές των ασφαλειών είναι τυπωμένες επάνω στην πλακέτα του ηλεκτρονικού κυκλώματος, όπως: T3.15A/250VAC, T5A/250VAC, T3.15A/250VAC, T5A/250VAC, T20A/250VAC, T30A/250VAC, κ.α.

ΣΗΜΕΙΩΣΗ: Για τις μονάδες που χρησιμοποιούν ψυκτικό υγρό R32 ή R290 μόνο ειδικού τύπου αντιακρηκτικές κεραμικές ασφάλειες μπορούν να χρησιμοποιηθούν.

ΠΡΟΕΙΔΟΠΟΙΗΣΕΙΣ ΕΓΚΑΤΑΣΤΑΣΗΣ

1. Η εγκατάσταση πρέπει να πραγματοποιείται από εξουσιοδοτημένο προμηθευτή ή ειδικό. Αναποτελεσματική εγκατάσταση μπορεί να προκαλέσει διαρροές νερού, ηλεκτροπληξία ή φωτιά.
2. Η εγκατάσταση πρέπει να πραγματοποιείται σύμφωνα με τις οδηγίες εγκατάστασης. Εσφαλμένη εγκατάσταση μπορεί να προκαλέσει διαρροή νερού, ηλεκτροπληξία ή φωτιά. (Στην Βόρεια Αμερική, η εγκατάσταση πρέπει να πραγματοποιείται σύμφωνα με τις προδιαγραφές της NEC και CEC από εξουσιοδοτημένο προσωπικό και μόνο).
3. Επικοινωνήστε με εξουσιοδοτημένο κέντρο σέρβις για επισκευή ή συντήρηση της μονάδας.
4. Χρησιμοποιήστε μόνο τα συμπεριλαμβανόμενα εξαρτήματα, μέρη και ειδικά στοιχεία για εγκατάσταση. Η χρήση άλλων εξαρτημάτων μπορεί να προκαλέσει διαρροή νερού, ηλεκτροπληξία, φωτιά καθώς και καταστροφή της μονάδας.
5. Εγκαταστήστε τη μονάδα σε τοποθεσία που μπορεί να υποστηρίξει το βάρος της μονάδας καθώς αν δεν γίνει η εγκατάσταση σωστά, η μονάδα μπορεί να πέσει και να προκαλέσει σοβαρούς τραυματισμούς και καταστροφές.
6. Η εγκατάσταση των σωληνώσεων απορροής πρέπει να γίνονται σύμφωνα με τις οδηγίες του παρόντος εγχειριδίου. Διαφορετικά μπορεί να προκληθεί ζημιά στο στον χώρο και στα αντικείμενα.
7. Για μονάδες που έχουν βοηθητικές αντιστάσεις, **μην** τις εγκαθιστάτε σε απόσταση 1 μέτρου από εύφλεκτες ουσίες.
8. Η μονάδα θα πρέπει να τοποθετείται σε χώρους όπου δεν υπάρχουν εύφλεκτα στοιχεία όπως για παράδειγμα πηγές θερμότητας, συσκευές αερίου ή θερμαντικά σώματα.
9. Μην ενεργοποιήσετε την μονάδα έως ότου όλες οι εργασίες έχουν ολοκληρωθεί.
10. Όταν μετακινείτε ή αλλάζετε χώρο στο κλιματιστικό, συμβουλευτείτε εξειδικευμένους τεχνικού για την απεγκατάσταση και επανεγκατάστασή του.
11. Για τον τρόπο εγκατάστασης του κλιματιστικού, συμβουλευτείτε τις πληροφορίες στις ενότητες «εγκατάσταση εσωτερικής μονάδας» και «εγκατάσταση εξωτερικής μονάδας».

Σημείωση σχετικά με Φθοριούχα Αέρια

1. Το κλιματιστικό εμπεριέχει φθοριούχα αέρια. Για συγκεκριμένες πληροφορίες σχετικά με τον τύπο του αερίου και την ποσότητα, παρακαλείσθε να ανατρέξετε στο σχετικό ταμπελάκι της μονάδας.
2. Η εγκατάσταση, η συντήρηση και η επισκευή του πρέπει να πραγματοποιούνται από εξειδικευμένο τεχνικό.
3. Η απεγκατάσταση του προϊόντος και η ανακύκλωσή του πρέπει να πραγματοποιούνται από εξειδικευμένο τεχνικό.
4. Αν υπάρχει εγκατεστημένο σύστημα ελέγχου διαρροών, θα πρέπει να ελέγχεται κάθε 12 μήνες για διαρροή.
5. Όταν ελεγχθεί η μονάδα για διαρροή, συνιστάται η καταγραφή του ιστορικού ελέγχων.

Λάμπα UV-C






Αυτή η συσκευή περιέχει λάμπες UV-C. Διαβάστε τις οδηγίες συντήρησης πριν ανοίξετε τη συσκευή.

1. Μην λειτουργείτε τις λάμπες UV-C εκτός της συσκευής.
2. Συσκευές που έχουν εμφανώς υποστεί ζημιά δεν πρέπει να λειτουργούν.
3. Η ακούσια χρήση της συσκευής ή η βλάβη του περιβλήματος μπορεί να έχει ως αποτέλεσμα τη διαφυγή επικίνδυνης ακτινοβολίας UV-C. Η ακτινοβολία UV-C μπορεί, ακόμη και σε μικρές δόσεις, να προκαλέσει βλάβες στα μάτια και το δέρμα.
4. Πριν από το άνοιγμα των θυρών και των πινάκων πρόσβασης που φέρουν το σύμβολο κινδύνου ULTRAVIOLET RADIATION για τη διενέργεια συντήρησης από τον χρήστη, συνιστάται η αποσύνδεση της τροφοδοσίας.
5. Ο λαμπτήρας UV-C δεν μπορεί να καθαριστεί, να επισκευαστεί και να αντικατασταθεί.
6. Τα φράγματα για την ακτινοβολία UV-C που φέρουν το σύμβολο κινδύνου ULTRAVIOLET RADIATION δεν πρέπει να αφαιρούνται.

ΠΡΟΕΙΔΟΠΟΙΗΣΗ

Αυτή η συσκευή περιέχει λάμπες υπεριώδους ακτινοβολίας. Μην κοιτάτε την πηγή φωτός.

Επεξήγηση συμβόλων που εμφανίζονται στην εσωτερική ή στην εξωτερική μονάδα: (Για μονάδες με ψυκτικό μέσο R32 / R290):

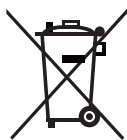
	ΠΡΟΕΙΔΟΠΟΙΗΣΗ	Αυτό το σύμβολο δείχνει ότι αυτή η συσκευή χρησιμοποιεί εύφλεκτο ψυκτικό μέσο. Αν το ψυκτικό υγρό διαρρεύσει ή εκτεθεί σε εξωτερική εύφλεκτη πηγή, υπάρχει κίνδυνος πυρκαγιάς.
	ΠΡΟΣΟΧΗ	Αυτό το σύμβολο σας ενημερώνει ώστε να διαβάσετε προσεκτικά το εγχειρίδιο λειτουργίας.
	ΠΡΟΣΟΧΗ	Αυτό το σύμβολο δείχνει ότι ο χειρισμός των κλιματιστικών μονάδων πρέπει να πραγματοποιείται μόνο από αδειοδοτημένους τεχνικούς, οι οποίοι οφείλουν να ανατρέχουν στο εγχειρίδιο εγκατάστασης.
	ΠΡΟΣΟΧΗ	
	ΠΡΟΣΟΧΗ	Αυτό το σύμβολο δείχνει ότι υπάρχουν διαθέσιμες πληροφορίες αναφορικά με τις λειτουργίες στο εγχειρίδιο χρήστη & το εγχειρίδιο εγκατάστασης.

⚠️ ΠΡΟΕΙΔΟΠΟΙΗΣΕΙΣ για χρήση ψυκτικού υγρού R32/R290

- Κατά την χρήση εύφλεκτων ψυκτικών υγρών, η συσκευή θα πρέπει να βρίσκεται σε καλά αεριζόμενο χώρο, του οποίου οι διαστάσεις αντιστοιχούν στις διαστάσεις χώρου όπως ορίζονται για την λειτουργία.
Για μοντέλα με R32 ψυκτικό μέσο:
Η συσκευή θα πρέπει να εγκατασταθεί, λειτουργήσει και αποθηκεύεται σε χώρο μεγαλύτερο των 4m.
Η συσκευή δεν πρέπει να εγκαθίσταται, σε μη αεριζόμενο χώρο, εάν ο χώρος αυτός είναι μικρότερος από 4m.
Για μοντέλα με R290 ψυκτικό μέσο:
<=9000Btu/h μονάδες: 13m
>9000Btu/h και <=12000Btu/h μονάδες: 17m
>12000Btu/h και <=18000Btu/h μονάδες: 26m
>18000Btu/h και <=24000Btu/h μονάδες: 35m
- Επαναχρησιμοποιούμενοι και διανοιγμένοι σύνδεσμοι δεν επιτρέπεται να χρησιμοποιούνται σε εσωτερικούς χώρους. (σύμφωνα με τα πρότυπα **EN**).
- Μηχανικοί σύνδεσμοι για εσωτερική χρήση θα πρέπει να έχουν μέχρι 3g/έτος στο 25% της μέγιστης επιτρεπτής πίεσης. Όταν οι μηχανικοί σύνδεσμοι χρησιμοποιούνται σε εσωτερικούς χώρους, οι μονώσεις τους θα πρέπει να ανανεώνονται. Όταν οι διανοιγμένοι σύνδεσμοι χρησιμοποιούνται σε εσωτερικό χώρο, θα πρέπει να ανανεώνονται. (σύμφωνα με τα πρότυπα **UL**).
- Όταν οι μηχανικοί σύνδεσμοι χρησιμοποιούνται σε εσωτερικούς χώρους, οι μονώσεις τους θα πρέπει να ανανεώνονται. Όταν οι διανοιγμένοι σύνδεσμοι χρησιμοποιούνται σε εσωτερικό χώρο, θα πρέπει να ανανεώνονται. (σύμφωνα με τα πρότυπα **IEC**).
- Οι μηχανικοί σύνδεσμοι εσωτερικής χρήσης θα πρέπει να συμμορφώνονται με το ISO 14903.

Ευρωπαϊκές Προδιαγραφές Απόρριψης

Η παρακάτω σήμανση όταν υπάρχει στο προϊόν ή στα εγχειρίδια σημαίνει ότι κατά την απόρριψη τους, τα ηλεκτρικά και ηλεκτρονικά απορρίματα και συσκευές δεν θα πρέπει να απορρίπτονται μαζί με τα γενικά οικιακά απορρίματα.



**Ορθή απόρριψη του προϊόντος
(Απορρίματα Ηλεκτρικού και Ηλεκτρονικού Εξοπλισμού)**

Αυτή η συσκευή εμπεριέχει ψυκτικό και άλλα πιθανώς επικίνδυνα υλικά. Όταν απορρίπτετε τη συσκευή, ο νόμος προϋποθέτει ειδική περισυλλογή και μεταχείριση. Μην απορρίπτετε το προϊόν σαν οικιακά ή μη διαχωρισμένα αστικά απορρίματα.

Όταν απορρίπτετε τη συσκευή, έχετε τις ακόλουθες περιπτώσεις:

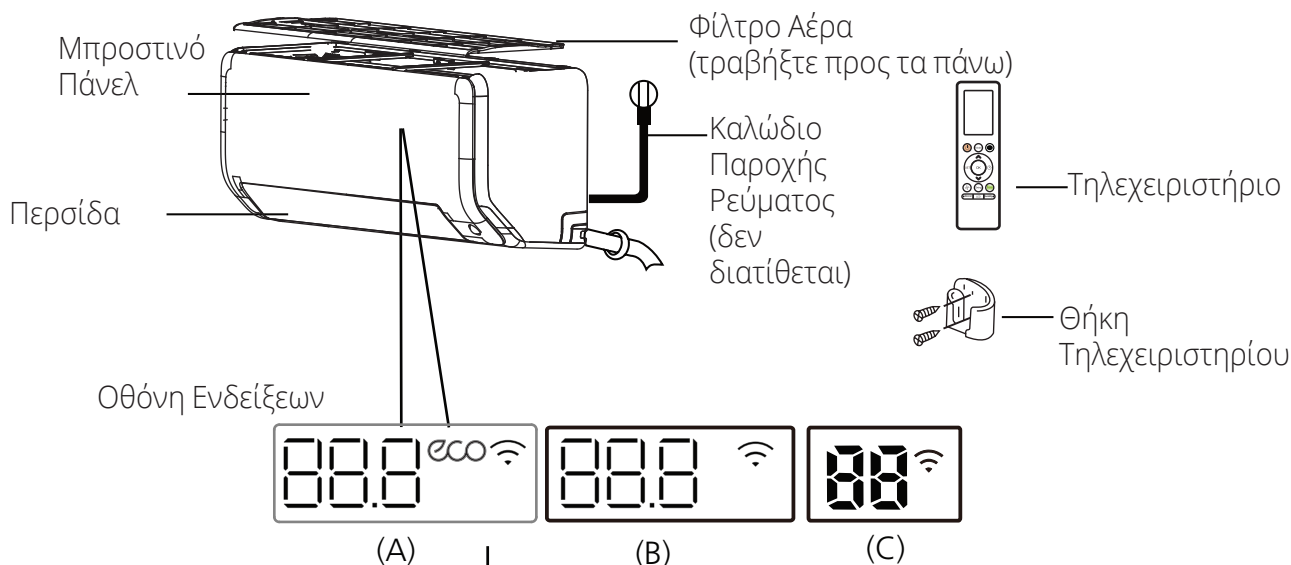
- Απορρίψτε τη συσκευή σε ενδεδειγμένες μονάδες απόρριψης ηλεκτρονικών συσκευών.
- Όταν αγοράζετε νέα συσκευή, ο έμπορος θα πάρει πίσω τη παλιά συσκευή χωρίς χρέωση.
- Ο κατασκευαστής θα πάρει πίσω τη παλιά συσκευή χωρίς χρέωση.
- Πουλήστε τη συσκευή σε πιστοποιημένο έμπορο άχρηστων μετάλλων

Ειδική Παρατήρηση

Η απόρριψη αυτής της συσκευής σε δάσος ή άλλο φυσικό περιβάλλον θέτει σε κίνδυνο την υγεία σας και είναι βλαβερό για το περιβάλλον. Επικίνδυνες ουσίες μπορεί να διαρρεύσουν στα υπόγεια ύδατα και να εισέλθουν στη τροφική αλυσίδα.

Χαρακτηριστικά και Λειτουργίες της μονάδας

Ενδείξεις εσωτερικής μονάδας



«**88.8**» «**88**» Ένδειξη θερμοκρασίας, λειτουργίας και κωδικού σφάλματος
«**01**» για 3 δευτερόλεπτα όταν:

- Ενεργοποιείται η λειτουργία TIMER ON (αν η μονάδα είναι απενεργοποιημένη, η ένδειξη «**01**» παραμένει στην οθόνη όταν ενεργοποιηθεί η λειτουργία)
- Όταν ενεργοποιείται η λειτουργία FRESH, UV-C, SWING, TURBO, ECO, BREEZE AWAY ή SILENCE

«**0F**» για 3 δευτερόλεπτα όταν:

- Ενεργοποιείται η λειτουργία TIMER OFF
- Όταν απενεργοποιείται η λειτουργία FRESH, UV-C, SWING, TURBO, ECO, BREEZE AWAY ή SILENCE

«**df**» υπό συνθήκες αποπάγωσης

«**CL**» κατά τη λειτουργία αυτοκαθαρισμού

«**FP**» όταν ενεργοποιείται η λειτουργία θέρμανσης 8°C

«**ECO**» όταν ενεργοποιείται η λειτουργία ECO

«**WiFi**» όταν ενεργοποιείται η λειτουργία WIFI Control

Display Code Meanings

ΣΗΜΕΙΩΣΗ: Οι εικονογραφήσεις σε αυτό το εγχειρίδιο είναι για επεξηγηματικούς σκοπούς. Το πραγματικό σχήμα της εσωτερικής μονάδας και οι λειτουργίες μπορεί να διαφέρουν. Ισχύει το πραγματικό σχήμα.

Εύρη λειτουργίας

Όταν το κλιματιστικό χρησιμοποιείται εκτός των ακολουθούμενων ευρών λειτουργίας, οι διατάξεις προστασίας του κλιματιστικού μπορεί να ενεργοποιηθούν και να σταματήσουν την λειτουργία του.

	ΨΥΞΗ	ΘΕΡΜΑΝΣΗ	ΑΦΥΓΡΑΝΣΗ
Θερμοκρασία Δωματίου	17°C - 32°C (62°F - 90°F)	0°C - 30°C (32°F - 86°F)	10°C - 32°C (50°F - 90°F)
Εξωτερική Θερμοκρασία	0°C - 50°C (32°F - 122°F)	-15°C - 24°C (5°F - 75°F)	0°C - 50°C (32°F - 122°F)
	-15°C - 50°C (5°F - 122°F) (Για μοντέλα με σύστημα χαμηλής θερμοκρασίας)		
	0°C - 52°C (32°F - 126°F) Για ειδικά μοντέλα		0°C - 52°C (32°F - 126°F) Για ειδικά μοντέλα

ΓΙΑ ΜΟΝΑΔΕΣ ΜΕ ΒΟΗΘΗΤΙΚΕΣ ΗΛΕΚΤΡΙΚΕΣ ΑΝΤΙΣΤΑΣΕΙΣ

Όταν η εξωτερική θερμοκρασία είναι κάτω από 0°C, συνιστούμε να κρατήσετε συνδεδεμένο τη πρίζα το κλιματιστικό σας για να διασφαλίσετε την απόδοσή του.

ΣΗΜΕΙΩΣΗ: Σχετική υγρασία δωματίου μικρότερη από 80%. Εάν το κλιματιστικό λειτουργεί πάνω από αυτό το όριο, στην επιφάνεια του κλιματιστικού μπορεί να παρατηρήσετε συμπύκνωση νερού. Ορίστε τη κάθετη περσίδα στη μέγιστη γωνία της (κάθετα στο πάτωμα) και ορίστε ΥΨΗΛΗ λειτουργία ανεμιστήρα για να το αντιμετωπίσετε.

Για βέλτιστη απόδοση της μονάδας:

- Κρατήστε τις πόρτες και τα παράθυρα κλειστά.
- Περιορισμένη κατανάλωση ενέργειας μέσω λειτουργιών TIMER ON και TIMER OFF.
- Μην μπλοκάρτε τις εισόδους και εξόδους αέρα.
- Επιθεωρείτε και καθαρίζετε συχνά τα φίλτρα.

Δεν διατίθεται οδηγός για τη χρήση του τηλεχειριστηρίου υπερύθρων στη συσκευασία του προϊόντος. Λάβετε υπόψιν σας ότι δεν είναι διαθέσιμες όλες οι λειτουργίες για την συγκεκριμένη σειρά, ελέγξτε την εσωτερική οθόνη και το τηλεχειριστήριο της συσκευής που αγοράσατε.

Για λεπτομερή επεξήγηση κάθε λειτουργίας, ανατρέξτε στο εγχειρίδιο του τηλεχειριστηρίου.

Άλλες λειτουργίες

• Αυτόματη Επανεκκίνηση

Μετά τη διακοπή ρεύματος, η μονάδα θα επανεκκινήσει αυτόματα με τις αρχικές ρυθμίσεις μόλις επανέλθει το ρεύμα.

• Αποφυγή δημιουργίας μούχλας (ορισμένα μοντέλα)

Όταν απενεργοποιήσετε τη μονάδα από καταστάσεις COOL, AUTO (COOL) ή DRY, το κλιματιστικό θα συνεχίσει να λειτουργεί σε χαμηλή ταχύτητα για να απομακρύνει την υγρασία και να αποφευχθεί η δημιουργία μούχλας.

• Λειτουργία ελέγχου WiFi

Η σύνδεση με WiFi με την μονάδα σας επιτρέπει να μπορείτε να ελέγχετε ασύρματα με το κινητό τηλέφωνο σας το κλιματιστικό. Για την πρόσβαση στη συσκευή USB, οι διαδικασίες αντικατάστασης και συντήρησης θα πρέπει να πραγματοποιούνται από εξειδικευμένο προσωπικό.

• Απομνημόνευση θέσης περσίδων

Όταν ενεργοποιήσετε τη μονάδα η θέση της περσίδας αποθηκεύεται στην μνήμη και θα επιστρέψει στη θέση που είχε επιλεγεί τελευταία φορά από το χρήστη.

• Λειτουργία Αυτοκαθαρισμού

Η λειτουργία αυτοκαθαρισμού καθαρίζει το εσωτερικό του κλιματιστικού από σκόνη, μούχλα και ουσίες που μπορεί να προκαλούν οσμές όταν προσκαλούνται στο στοιχείο, παγώνοντας το και στην συνέχεια λιώνοντας τον πάγο. Ένας χαρακτηριστικός ήχος αούγεται κατά την ενεργοποίηση. Κατά την λειτουργία δημιουργείται συμπυκνωμένο νερό στο εσωτερικό της μονάδας και κρύος αέρας εξέρχεται από αυτό. Μετά τον καθαρισμό, ο εσωτερικός ανεμιστήρας στεγνώνει το στοιχείο με ζεστό αέρα, εμποδίζοντας την ανάπτυξη μούχλας και διατηρώντας το εσωτερικό καθαρό.

Όταν η λειτουργία αυτοκαθαρισμού ενεργοποιηθεί, στην οθόνη εμφανίζεται η ένδειξη "CL". Η μονάδα θα λειτουργήσει για 20 με 45 λεπτά πρώτου απενεργοποιηθεί αυτόματα.

• Λειτουργία Breeze Away (ορισμένα μοντέλα)

Κατά την λειτουργία αυτή, το κλιματιστικό θα αποφύγει την απευθείας έκθεση αέρα στο σώμα.

• Ανίχνευση διαρροών ψυκτικού υγρού

Όταν ανιχνεύεται διαρροή ψυκτικού υγρού η εσωτερική μονάδα θα εμφανίσει τον κωδικό EC αυτόματα.

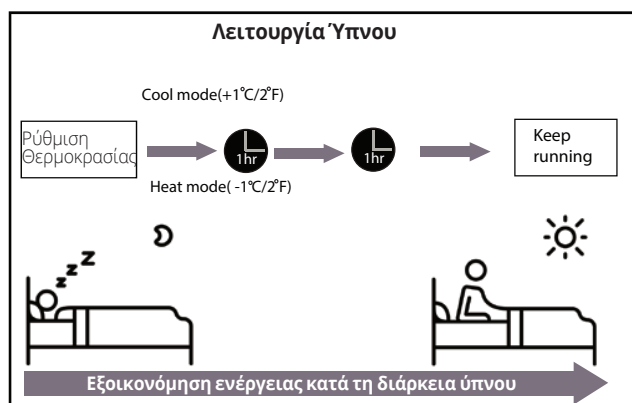
• Λειτουργία Ύπνου

Η λειτουργία SLEEP χρησιμοποιείτε για να μειώνει την κατανάλωση ενέργειας κατά τη διάρκεια του ύπνου (και δεν απαιτούνται οι ίδιες ρυθμίσεις θερμοκρασίας για άνεση). Αυτή η λειτουργία μπορεί να ενεργοποιηθεί μόνο από το τηλεχειριστήριο.

Όταν είναι σε κατάσταση ΨΥΞΗΣ, η μονάδα θα αυξήσει τη θερμοκρασία από 1° (2°F) μετά από 1 ώρα και θα αυξήσει ακόμα 1° (2°F) την επόμενη ώρα.

Όταν είναι σε κατάσταση ΘΕΡΜΑΝΣΗΣ, η μονάδα θα μειώσει τη θερμοκρασία σε 1° (2°F) μετά από μια ώρα, και θα τη μειώσει ακόμα 1° (2°F) μετά από μια ώρα. Θα διατηρήσει τη νέα θερμοκρασία για 6 ώρες και μετά θα απενεργοποιηθεί αυτόματα.

ΣΗΜΕΙΩΣΗ: Η λειτουργία SLEEP δεν είναι διαθέσιμη σε κατάσταση FAN ή DRY.



• Ρύθμιση κατεύθυνσης αέρα

Ρύθμιση κάθετης κίνησης αέρα

Κατά την διάρκεια της λειτουργίας, πιέστε το πλήκτρο **SWING** στο τηλεχειριστήριο για να επιλέξετε την επιθυμητή κάθετη θέση της περσίδας. Ανατρέξτε στο εγχειρίδιο χρήσης του τηλεχειριστηρίου για περισσότερες πληροφορίες.

ΣΗΜΕΙΩΣΗ

Όταν λειτουργείτε το κλιματιστικό σε λειτουργία ΨΥΞΗΣ ή ΑΦΥΓΡΑΝΣΗΣ μην ρυθμίζετε πολύ κάθετα την θέση της περσίδας για μεγάλο χρονικό διάστημα. Μπορεί να προκληθούν συμπυκνώματα νερού στην περσίδα που θα στάξουν στο πάτωμα ή τα έπιπλα.

Όταν λειτουργείτε το κλιματιστικό σε λειτουργία ΨΥΞΗΣ ή ΘΕΡΜΑΝΣΗΣ, ρυθμίζοντας την θέση της περσίδας σε κάθετη θέση μπορεί να μειώσει την απόδοση του κλιματιστικού λόγω της περιορισμένης ροής αέρα.

Ρύθμιση οριζόντιας κίνησης αέρα

Κατά την διάρκεια της λειτουργίας, πιέστε το πλήκτρο **SWING** στο τηλεχειριστήριο για να επιλέξετε την επιθυμητή οριζόντια θέση της περσίδας. Ανατρέξτε στο εγχειρίδιο χρήσης του τηλεχειριστηρίου για περισσότερες πληροφορίες.

Χειροκίνητη λειτουργία

⚠ ΠΡΟΣΟΧΗ

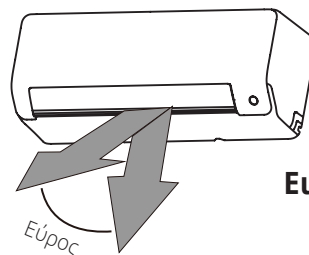
Το κουμπί manual στοχεύει σε έλεγχο και έκτακτης ανάγκης λειτουργία μόνο. Παρακαλείσθε να μην χρησιμοποιείτε αυτή τη λειτουργία εκτός αν έχετε χάσει το τηλεχειριστήριο και είναι απολύτως αναγκαίο. Για να επαναφέρετε τις κανονικές λειτουργίες, χρησιμοποιήστε το τηλεχειριστήριο να ενεργοποιήσετε τη μονάδα.

Για να λειτουργήσετε τη μονάδα χειροκίνητα:

1. Εντοπίστε το **MANUAL CONTROL** πλήκτρο στη δεξιά πλευρά του πάνελ της μονάδας
2. Πατήστε το **MANUAL CONTROL** πλήκτρο μια φορά να ενεργοποιήσετε ξανά τη κατάσταση **FORCED AUTO**.
3. Πατήστε το **MANUAL CONTROL** πλήκτρο

ξανά να ενεργοποιήσετε τη κατάσταση **FORCED COOLING**.

4. Πατήστε το **MANUAL CONTROL** πλήκτρο τρίτη φορά να κλείσετε το κλιματιστικό.

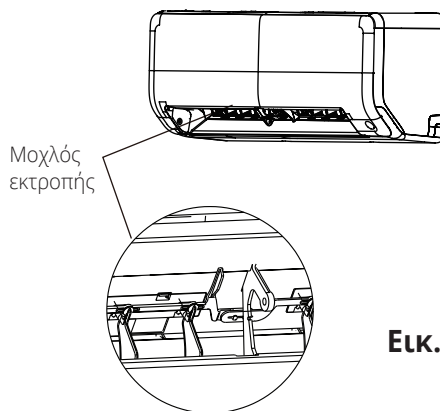


Εικ. Α

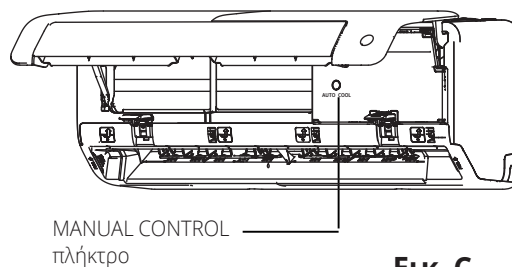
ΣΗΜΕΙΩΣΗ: Μην κινείτε τις περσίδες χειροκίνητα. Αυτό θα οδηγήσει τις περσίδες να χάσουν τον συγχρονισμό τους. Εάν αυτό συμβεί, απενεργοποιήστε την μονάδα και αφαιρέστε την από το ρεύμα για μερικά δευτερόλεπτα, στην συνέχεια, ενεργοποιήστε ξανά την μονάδα για να επανέλθουν οι περσίδες στην θέση τους.

⚠ ΠΡΟΣΟΧΗ

Μην τοποθετείτε τα δάχτυλά σας μέσα ή κοντά στην είσοδο και έξοδο του αέρα. Υπάρχει κίνδυνος πρόκλησης σωματικής βλάβης από τον εσωτερικό ανεμιστήρα.



Εικ. Β



Εικ. C

Καθαρισμός και Συντήρηση

Καθαρισμός Εσωτερικής Μονάδας



**ΠΡΙΝ ΤΟΝ ΚΑΘΑΡΙΣΜΟ
Ή ΤΗ ΣΥΝΤΗΡΗΣΗ**

**ΑΠΕΝΕΡΓΟΠΟΙΕΙΤΕ ΤΟ ΚΛΙΜΑΤΙΣΤΙΚΟ ΚΑΙ
ΑΠΟΣΥΝΔΕΣΤΕ ΤΗ ΠΑΡΟΧΗ ΡΕΥΜΑΤΟΣ ΠΡΙΝ
ΤΟΝ ΚΑΘΑΡΙΣΜΟ ΚΑΙ ΤΗ ΣΥΝΤΗΡΗΣΗ.**

ΠΡΟΣΟΧΗ

Εάν η εσωτερική μονάδα είναι πολύ βρώμικη, μπορείτε να την καθαρίσετε με ένα βρεγμένο πανί και έπειτα να σκουπίσετε με ένα στεγνό πανί.

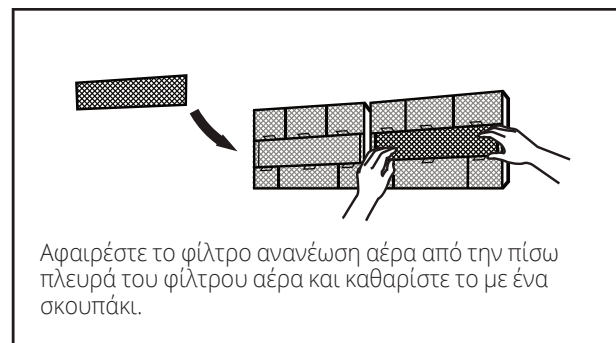
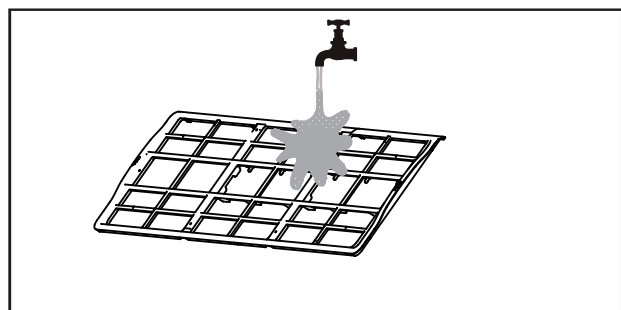
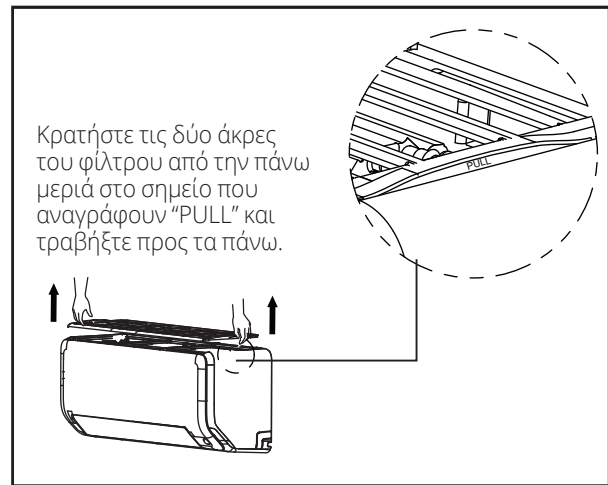
- Μην χρησιμοποιείτε χημικά ή επεξεργασμένο ξεσκονόπανο για τον καθαρισμό.
- Μην χρησιμοποιείτε βενζίνη, διαλυτικά, σιλικωτικά ή παρόμοια διαλύματα για τον καθαρισμό. Μπορεί να προκαλέσουν παραμόρφωση ή ράγισμα στις πλαστικές επιφάνειες της μονάδας.
- Μην χρησιμοποιείτε για τον καθαρισμό του μπροστινού πάνελ νερό πάνω από 40°C (104°F). Μπορεί να προκληθεί παραμόρφωση ή αποχρωματισμός.

Καθαρισμός του Φίλτρου Αέρα

Ένα φραγμένο κλιματιστικό μπορεί μειώνει την απόδοση της μονάδας και να είναι βλαβερό για την υγεία σας. Παρακαλούμε να καθαρίζετε τα φίλτρα κάθε 15 ημέρες.

1. Σηκώστε το μπροστινό πάνελ της εσωτερικής μονάδας. Το φίλτρο αέρα κάτω από την εισαγωγή αέρα.
2. Τραβήξτε το φίλτρο από τη λαβή στην άκρη ανασηκώνοντάς το ελαφρώς προς τα πάνω και τραβήξτε το προς το μέρος σας.
3. Εάν το φίλτρο σας διαθέτει μικρό φίλτρο για την ανανέωση του αέρα, αποσυνδέστε το από το μεγαλύτερο φίλτρο. Καθαρίστε αυτό το φίλτρο.
4. Καθαρίστε το μεγάλο φίλτρο αέρα με ζεστό, σαπουνώδες νερό. Βεβαιωθείτε ότι χρησιμοποιείτε ήπιο απορρυπαντικό.

5. Καθαρίστε το φίλτρο με φρέσκο νερό, μετά κουνήστε το για να διώξετε το νερό.
6. Στεγνώστε το σε ψυχρό, χωρίς υγρασία δωμάτιο και αποφύγετε την έκθεσή του στον ήλιο.
7. Όταν στεγνώσει, επανατοποθετήστε το φίλτρο ανανέωσης αέρα στο μεγαλύτερο φίλτρο και στη συνέχεια, επανατοποθετήστε το στην εσωτερική μονάδα.



⚠ ΠΡΟΣΟΧΗ

- Πριν αλλάξετε τα φίλτρα ή τα καθαρίσετε, απενεργοποιήστε τη μονάδα και αποσυνδέστε από τη παροχή ρεύματος.
- Όταν μετακινείτε τα φίλτρα, μην αγγίζετε τα μεταλλικά μέρη της μονάδας, υπάρχει κίνδυνος τραυματισμού.
- Μην χρησιμοποιείτε νερό για να καθαρίσετε το εσωτερικό μέρος της εσωτερικής μονάδας. Αυτό μπορεί να καταστρέψει τη μόνωση και να προκαλέσει ηλεκτροπληξία.
- Μην εκθέτετε το φίλτρο απευθείας στην ηλιακή ακτινοβολία. Μπορεί να συρρικνωθεί

Υπενθύμιση φίλτρων (προαιρετικό)

Υπενθύμιση καθαρισμού φίλτρων

Έπειτα από 240 ώρες λειτουργίας, στην οθόνη του κλιματιστικού θα αναβοσβήνει η ένδειξη "CL". Η ένδειξη αυτή είναι ειδοποίηση για τον καθαρισμό των φίλτρων. Έπειτα από 15 δευτερόλεπτα, η ένδειξη θα επιστρέψει σε κανονική λειτουργία. Για τον μηδενισμό του χρόνου, πιέστε το πλήκτρο **LED** 4 φορές ή το **MANUAL CONTROL** πλήκτρο 3 φορές. Αν δεν μηδενιστεί ο χρόνος, η ένδειξη θα εμφανιστεί ξανά κατά την ενεργοποίηση της μονάδας.

Υπενθύμιση αντικατάστασης φίλτρων

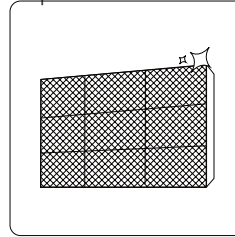
Έπειτα από 2880 ώρες λειτουργίας, στην οθόνη του κλιματιστικού θα αναβοσβήνει η ένδειξη "nF". Η ένδειξη αυτή είναι ειδοποίηση για την αντικατάσταση των φίλτρων ανανέωσης αέρα. Έπειτα από 15 δευτερόλεπτα, η ένδειξη θα επιστρέψει σε κανονική λειτουργία. Για τον μηδενισμό του χρόνου, πιέστε το πλήκτρο **LED** 4 φορές ή το **MANUAL CONTROL** πλήκτρο 3 φορές. Αν δεν μηδενιστεί ο χρόνος, η ένδειξη θα εμφανιστεί ξανά κατά την ενεργοποίηση της μονάδας.

⚠ ΠΡΟΣΟΧΗ

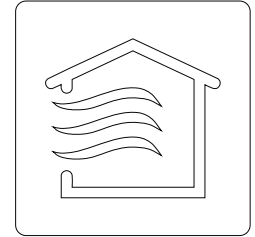
- Οποιαδήποτε διατήρηση ή καθαρισμός της εξωτερικής συσκευής πρέπει να πραγματοποιείται από εξουσιοδοτημένο προμηθευτή ή εξειδικευμένο κέντρο σέρβις.
- Κάθε επισκευή κλιματιστικού πρέπει να πραγματοποιείται από εξουσιοδοτημένο προμηθευτή ή εξειδικευμένο κέντρο σέρβις.

Συντήρηση - Μεγάλες Περίοδοι Μη-Χρήσης

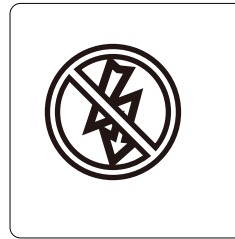
Αν σχεδιάζετε να μην χρησιμοποιήσετε το κλιματιστικό για μεγάλο διάστημα, ακολουθήστε τα παρακάτω:



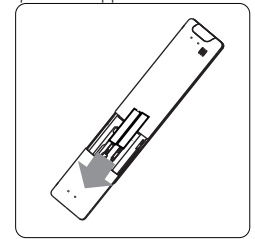
Καθαρίστε όλα τα φίλτρα



Ενεργοποιήστε τη λειτουργία FAN μέχρι να στεγνώσει η μονάδα τελείως



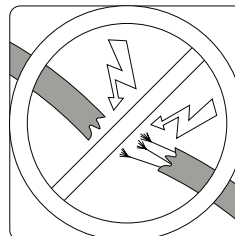
Απενεργοποιήστε τη μονάδα και αποσυνδέστε τη από το ρεύμα



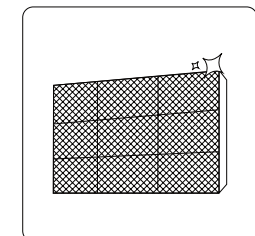
Αφαιρέστε τις μπαταρίες από το τηλεχειριστήριο

Συντήρηση - Πριν την έναρξη της περιόδου χρήσης

Μετά από μεγάλες περιόδους μη χρήσης της συσκευής ή συνεχόμενης χρήσης της, κάντε τα ακόλουθα:



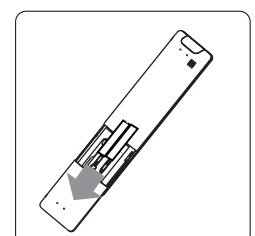
Έλεγχος για φθαρμένα καλώδια



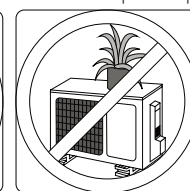
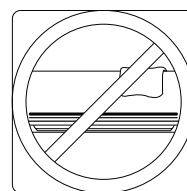
Καθαρίστε όλα τα φίλτρα



Έλεγχος για διαρροές



Αντικαταστήστε τις μπαταρίες



Βεβαιωθείτε ότι τίποτα δεν εμποδίζει όλες τις εισόδους και εξόδους αέρα

Σφάλματα

⚠ ΟΔΗΓΕΙΕΣ ΑΣΦΑΛΕΙΑΣ

Αν κάποια από τις ακόλουθες συνθήκες συμβαίνει, απενεργοποιήστε το κλιματιστικό σας αμέσως!

- Το καλώδιο παροχής είναι κατεστραμμένο ή ασυνήθιστα ζεστό
- Μυρίζετε μια περίεργη μυρωδιά
- Η μονάδα βγάζει θόρυβο ή ασυνήθιστους ήχους
- Καίγεται συχνά η ασφάλεια ή πέφτει ο ασφαλειοδιακόπτης
- Έπεσε νερό ή άλλο αντικείμενο μέσα στη μονάδα

ΜΗΝ ΠΡΟΣΠΑΘΗΣΕΤΕ ΝΑ ΕΠΙΔΙΟΡΘΩΣΕΤΕ ΜΟΝΟΙ ΣΑΣ! ΕΠΙΚΟΙΝΩΝΗΣΤΕ ΜΕ ΕΞΟΥΣΙΟΔΟΤΗΜΕΝΟ ΚΕΝΤΡΟ ΣΕΡΒΙΣ ΑΜΕΣΩΣ!

Κοινά ζητήματα

Τα ακόλουθα προβλήματα δεν αποτελούν δυσλειτουργίες και στις περισσότερες περιπτώσεις δεν χρίζουν επισκευής.

Ζήτημα	Πιθανά Αίτια
Η μονάδα δεν ενεργοποιείται όταν πατάτε το κουμπί ON/OFF	Η μονάδα έχει 3 λεπτών λειτουργία προστασίας για να προφυλάξει το κλιματιστικό από υπερφόρτωση. Η μονάδα δεν μπορεί να επανεκκινηθεί μέσα σε αυτά τα 3 λεπτά που είναι απενεργοποιημένη.
Η μονάδα αλλάζει από κατάσταση ΨΥΞΗΣ/ΘΕΡΜΑΝΣΗΣ σε FAN κατάσταση	Η μονάδα αλλάζει τις ρυθμίσεις ώστε να αποφύγει την δημιουργία πάγου. Από τη στιγμή που αυξηθεί μια φορά η θερμοκρασία, η μονάδα θα αρχίσει να λειτουργεί με βάση τις προηγούμενες ρυθμίσεις ξανά.
	Έχει επιτευχθεί η επιθυμητή θερμοκρασία και σε αυτό το σημείο ο συμπιεστής απενεργοποιείται. Η μονάδα θα επανενεργοποιηθεί όταν η θερμοκρασία διακυμανθεί ξανά.
Η εσωτερική μονάδα αποβάλλει νεφέλωμα	Σε μέρη με υγρασία, μεγάλη διαφορά θερμοκρασίας μεταξύ του αέρα του δωματίου και του κλιματιστικού μπορεί να προκαλέσει νεφέλωμα.
Η εσωτερική και εξωτερική μονάδα αποβάλλει νεφέλωμα	Όταν η μονάδα επανεκκινηθεί σε κατάσταση ΘΕΡΜΑΝΣΗΣ μετά από αποπάγωση λευκό νεφέλωμα μπορεί να αποβληθεί λόγω της υγρασίας που δημιουργείται από τη διαδικασία αποπάγωσης.

Ζήτημα	Πιθανά Αίτια
Η εσωτερική μονάδα κάνει θόρυβο	Ήχος από τον αέρα μπορεί να προκληθεί όταν η περσίδα επαναρυθμίζει τη θέση της.
	Έντονος ήχος μπορεί να προκληθεί αφότου λειτουργήσει η μονάδα σε κατάσταση ΘΕΡΜΑΝΣΗΣ λόγω της επέκτασης και συστολής των πλαστικών μερών της μονάδας.
Η εσωτερική και εξωτερική μονάδα κάνουν θόρυβο	Χαμηλός ήχος σφυρίγματος κατά τη διάρκεια λειτουργίας: Αυτό είναι φυσιολογικό και προκαλείται από το ψυκτικό υγρό που ρέει στην εσωτερική και εξωτερική μονάδα.
	Χαμηλός ήχος σφυρίγματος κατά τη διάρκεια λειτουργίας: Αυτό είναι φυσιολογικό και προκαλείται από το ψυκτικό υγρό που ρέει στην εσωτερική και εξωτερική μονάδα.
	Έντονος ήχος: Φυσιολογική επέκταση και συστολή των πλαστικών και μεταλλικών και προκαλείται από τις θερμοκρασιακές αλλαγές κατά τη διάρκεια της λειτουργίας.
Η εξωτερική μονάδα κάνει θόρυβο	Η μονάδα μπορεί να κάνει διάφορους ήχους βάση της τρέχουσας κατάστασης λειτουργίας.
Σκόνη αποβάλλεται από την εσωτερική ή από την εξωτερική μονάδα	Η μονάδα μπορεί να συσσωρεύει σκόνη αν δεν χρησιμοποιείται για μεγάλες περιόδους, που μπορεί να αποβληθεί κατά την εκκίνησή του. Αυτό μπορεί να περιοριστεί με το να καλύψετε τη μονάδα σε περιόδους μη λειτουργίας.
Η μονάδα αποβάλλει άσχημη μυρωδιά	Η μονάδα μπορεί να απορροφά μυρωδιές από το περιβάλλον (όπως έπιπλα, μαγειρική, τσιγάρα κλπ) τα οποία αποβάλλονται κατά τη λειτουργία.
	Τα φίλτρα της μονάδας έχουν μουχλιάσει και πρέπει να καθαριστούν.
Ο ανεμιστήρας της εξωτερικής μον. δεν λειτουργεί	Κατά τη λειτουργία, η ταχύτητα του ανεμιστήρα ελέγχεται για βέλτιστη απόδοση.
Η λειτουργία είναι ανώμαλη, απρόβλεπτη ή η μονάδα δεν ανταποκρίνεται	Παρεμβολές από τη κεραία της κινητής συσκευής και των ενισχυτών μπορεί να προκαλέσει δυσλειτουργία. Σε αυτή τη περίπτωση, δοκιμάστε: <ul style="list-style-type: none"> • Αποσυνδέστε από τη πρίζα, ξανά συνδέστε. • Πατήστε το κουμπί ON/OFF ώστε να επανεκκινήσετε τη λειτουργία.

ΣΗΜΕΙΩΣΗ: Αν το πρόβλημα συνεχίσει να υπάρχει, επικοινωνήστε με τον τοπικό προμηθευτή ή το κοντινότερο κέντρο σέρβις. Επεξηγήστε λεπτομερώς τη δυσλειτουργία της μονάδας καθώς και τον αριθμό του μοντέλου.

ΣΦΑΛΜΑΤΑ

Όταν συμβεί κάποιο σφάλμα, παρακαλούμε ελέγξτε τα ακόλουθα πριν επικοινωνήσετε με την εταιρία επισκευής.




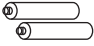




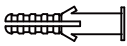


Ζήτημα	Πιθανά Αίτια	Λύση
Μειωμένη Απόδοση Ψύξης	Η ρύθμιση της θερμοκρασίας μπορεί να είναι υψηλότερη από τη θερμοκρασία περιβάλλοντος	Ρύθμιση χαμηλότερης θερμοκρασί
	Ο εναλλάκτης θερμότητας στην εσωτερική ή εξωτερική μονάδα είναι βρώμικος.	Καθαρίστε τον εναλλάκτη θερμότητας
	Το φίλτρο αέρα είναι βρώμικο	Αφαιρέστε το φίλτρο και καθαρίστε σύμφωνα με τις οδηγίες
	Η είσοδος ή έξοδος αέρα της κάθε μονάδας είναι φρακαρισμένη	Απενεργοποιήστε τη μονάδα, αφαιρέστε τα εμπόδια και επανενεργοποιήστε
	Οι πόρτες και τα παράθυρα είναι ανοιχτά	Βεβαιωθείτε ότι όλες οι πόρτες και τα παράθυρα είναι κλειστά κατά τη διάρκεια λειτουργίας της μονάδας
	Υπερβολική θερμότητα παράγεται από την ηλιακή ακτινοβολία	Κλείστε τα παράθυρα και τις κουρτίνες κατά τις περιόδους αυξημένης θερμότητας ή ηλιοφάνειας
	Υπερβολικές πηγές θέρμανσης στο δωμάτιο (άνθρωποι, υπολογιστές, ηλεκτρονικές συσκευές κλπ)	Μειώστε τις ποσότητες από τις θερμαντικές πηγές
	Μειωμένο ψυκτικό υγρό λόγω διαρροής ή παρατεταμένης χρήσης	Έλεγχος για διαρροές, κουμπώστε ξανά αν είναι αναγκαίο και γεμίστε με υγρό
	Λειτουργία SILENCE είναι ενεργοποιημένη	Λειτουργία SILENCE μπορεί μειώσει την απόδοση μειώνοντας τις στροφές λειτουργίας. Απενεργοποιήστε τη λειτουργία SILENCE.

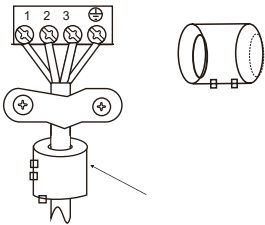
Ζήτημα	Πιθανά Αίτια	Λύση
Η μονάδα δεν δουλεύει	Διακοπή Ρεύματος	Αναμονή να επανέλθει το ρεύμα
	Αποσύνδεση από το ρεύμα	Επανεσύνδεση με το ρεύμα
	Καμμένη ασφάλεια	Αντικατάσταση Ασφάλειας
	Έχουν τελειώσει οι μπαταρίες	Αντικαταστήστε τις μπαταρίες
	Η 3 λεπτών προστασία της μονάδας έχει ενεργοποιηθεί	Περιμένετε 3 λεπτά αφότου επανεκκινήσετε τη μονάδα
	Ο Χρονοδιακόπτης έχει ενεργοποιηθεί	Ο Χρονοδιακόπτης έχει απενεργοποιηθεί
Η μονάδα ξεκινάει και σταματάει συχνά	Υπάρχει πολύ ή λίγο ψυκτικό στο σύστημα	Ελέγξτε για διαρροές και ξανά γεμίστε το σύστημα με ψυκτικό υγρό.
	Ασυμπιεστο αέριο ή υγρασία έχει εισέλθει στο σύστημα.	Αδειάστε και ξανά γεμίστε το σύστημα με ψυκτικό υγρό.
	Ο συμπιεστής είναι χαλασμένος	Αντικαταστήστε το συμπιεστή
	Η τάση είναι πολύ υψηλή ή χαμηλή	Εγκαταστήστε ένα μανόμετρο να ρυθμίσετε τη τάση
Μειωμένη απόδοση θέρμανσης	Η εξωτερική θερμοκρασία είναι εξαιρετικά χαμηλή	Χρησιμοποιήστε βοηθητικά θερμαντικά σώματα
	Κρύος αέρας εισέρχεται από πόρτες και παράθυρα	Βεβαιώστε ότι όλες οι πόρτες και τα παράθυρα είναι κλειστά κατά τη διάρκεια της χρήσης
	Μειωμένο ψυκτικό υγρό λόγω διαρροής ή παρατεταμένης χρήσης	Ελέγξτε για διαρροές, κουμπώστε αν είναι απαραίτητο και ξανά γεμίστε με ψυκτικό υγρό.
Οι ενδεικτικές λυχνίες συνεχίζουν να αναβοσβήνουν	<p>Η μονάδα μπορεί να σταματήσει τη λειτουργία ή να τεθεί σε λειτουργία ασφαλείας. Περιμένετε 10 λεπτά αν συνεχίσει να αναβοσβήνει ή εμμανιστούν οι κωδικοί σφαλμάτων μήπως η μονάδα επανέλθει από μόνη της. Αν όχι αποσυνδέστε τη από την παροχή ρεύματος και επανασυνδέστε τη. Ενεργοποιήστε τη μονάδα. Εάν το πρόβλημα παραμείνει αποσυνδέστε τη μονάδα από το ρεύμα και επικοινωνήστε με το κοντινότερο κέντρο σέρβις.</p>	
Εάν στην οθόνη εμφανίζεται ένας από τους παρακάτω κωδικούς: E(x), P(x), F(x) EH(xx), EL(xx), EC(xx) PH(xx), PL(xx), PC(xx)		

ΣΗΜΕΙΩΣΗ: Εάν το σφάλμα παραμείνει παρά τους ελέγχους και τις διαγνώσεις, απενεργοποιήστε τη μονάδα αμέσως και επικοινωνήστε με ένα εξουσιοδοτημένο κέντρο σέρβις.

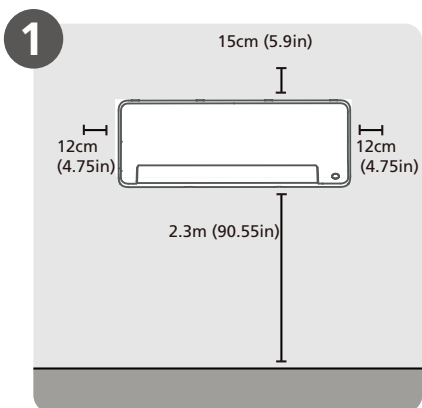
Εξαρτήματα

Η κλιματιστική μονάδα παρέχεται με τα ακόλουθα εξαρτήματα. Χρησιμοποιήστε όλα τα μέρη εγκατάστασης και τα εξαρτήματα ώστε να εγκαταστήσετε το κλιματιστικό. Εσφαλμένη εγκατάσταση μπορεί να έχει ως αποτέλεσμα διαρροή νερού, ηλεκτροπληξία και φωτιά, ή καταστροφές στο προϊόν.

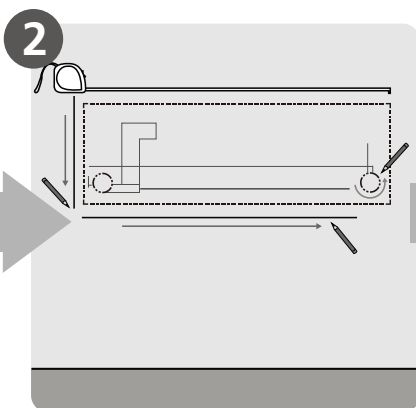
Όνομα	Ποσότητα	Σχήμα	Όνομα	Ποσότητα	Σχήμα
Εγχειρίδιο Χρήστη & Εγκατάστασης Εγχειρίδιο Τηλεχειριστηρίου	2-3		Ασύρματο τηλεχειριστήριο	1	
Σύνδεσμος αποστράγγισης	1		Μπαταρίες ξηρού τύπου AAA LR03	2	
Πώμα	1		Βάση Ασύρματου τηλεχειριστηρίου	1	
Επιτοίχια Βάση	1		Βίδα για τη βάση του τηλεχειριστηρίου	2	
Ούπα	5~8		Φίλτρα ανανέωσης αέρα	1~2	
Βίδες	5~8				

Όνομα	Σχήμα	Ποσότητα
Ένωση Συνδεδεμένων Αγωγών	Γραμμή ρευστού	Φ 6.35(1/4in)
		Φ 9.52(3/8in)
	Γραμμή αερίου	Φ 9.52(3/8in)
		Φ 12.7(1/2in)
		Φ 16(5/8in)
	Φ 19(3/4in)	
Μαγνητικό δαχτυλίδι (ανατρέξτε στο ηλεκτρολογικό διάγραμμα για την τοποθέτησή του)		Διαφέρει ανά μοντέλο

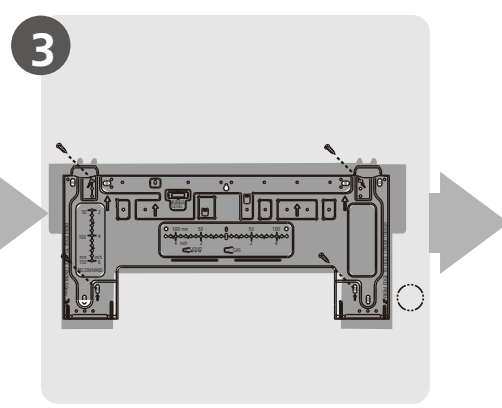
Περίληψη Εγκατάστασης - Εσωτερική Μονάδα



Επιλέξτε θέση
Εγκατάστασης



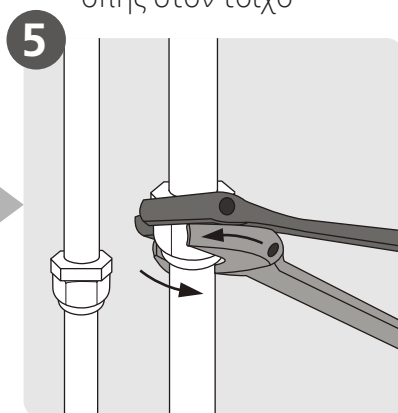
Επιλέξτε τη θέση ανοίγματος
οπής στον τοίχο



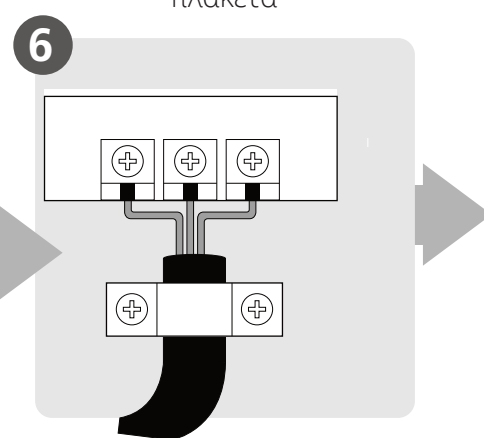
Προσαρμόστε την επιτοίχια
πλακέτα



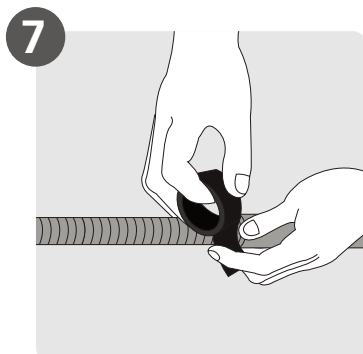
Ανοίξτε την οπή στον τοίχο



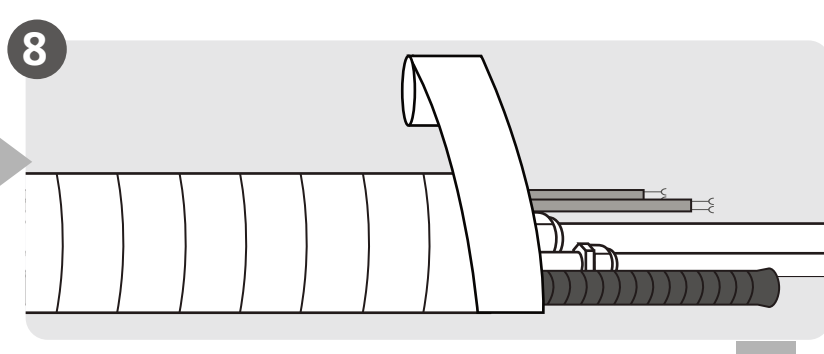
Συνδέστε τους αγωγούς



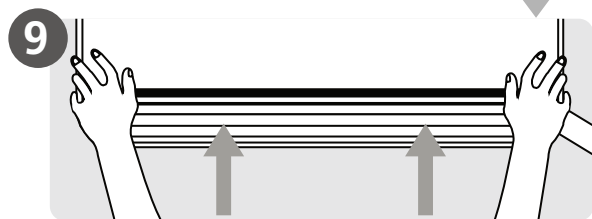
Συνδέστε τις καλωδιώσεις



Προετοιμάστε τον αγωγό
αποστράγγισης



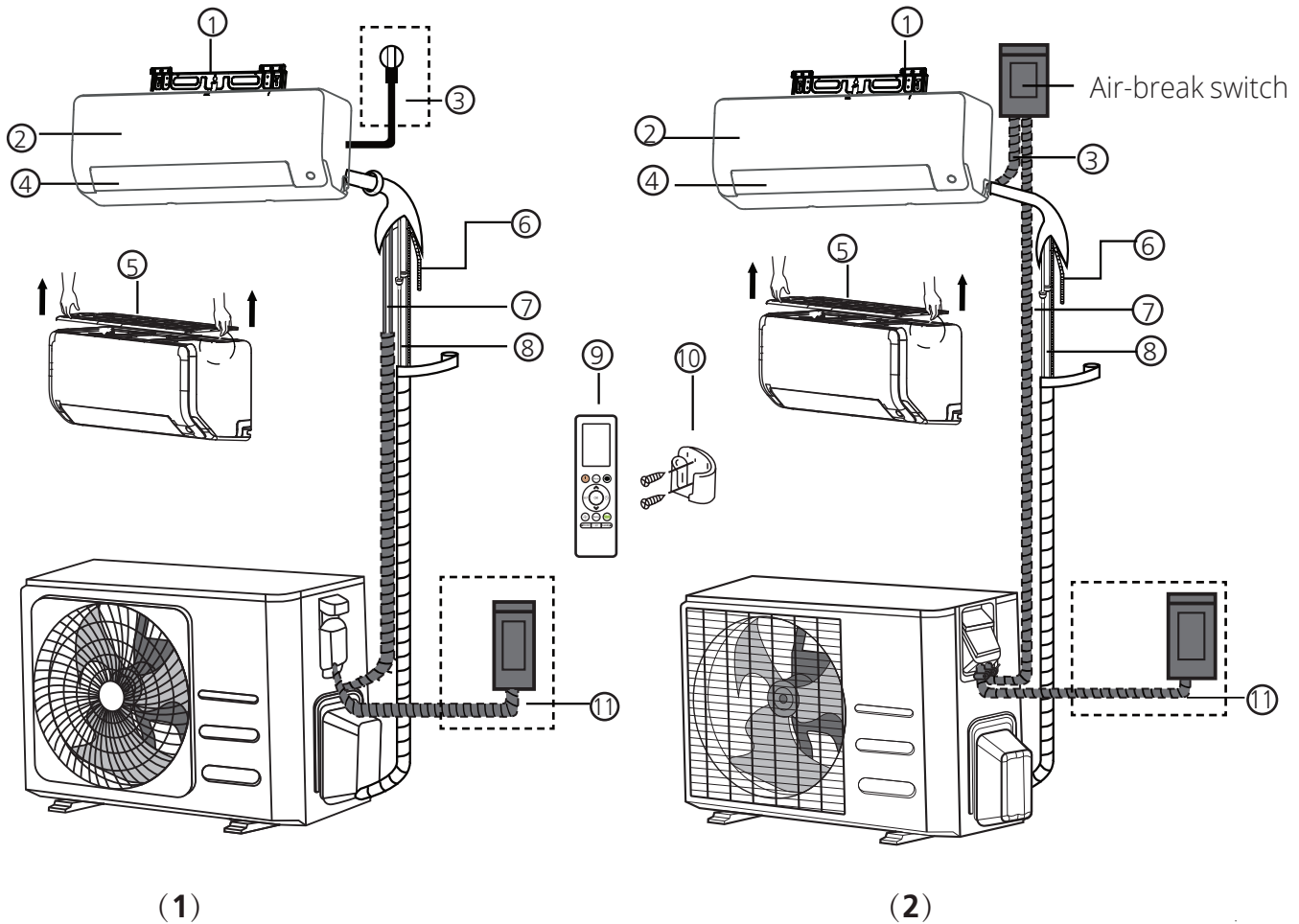
Τυλίξτε Αγωγούς και Καλωδιώσεις



Τοποθετήστε την Εσωτερική Μονάδα

Μέρη Μονάδας

ΣΗΜΕΙΩΣΗ: Η εγκατάσταση θα πρέπει να γίνει σύμφωνα με τους τοπικούς και διεθνείς κανονισμούς. Η εγκατάσταση μπορεί να διαφέρει από την εικονιζόμενη.



- | | | |
|--|---|---|
| ① Βάση στήριξης | ⑤ Φίλτρο Λειτουργίας (Μπροστά από το κύριο Φίλτρο – Ορισμένα μοντέλα) | ⑨ Τηλεχειριστήριο |
| ② Μπροστινό Πάνελ | ⑥ Αγωγός Αποστράγγισης | ⑩ Βάση Τηλεχειριστηρίου (ορισμένες μονάδες) |
| ③ Καλώδιο Ρεύματος (Ορισμένες Μονάδες) | ⑦ Καλώδιο Σήματος | ⑪ Εξωτερική Μονάδα Καλώδιο Ρεύματος (Ορισμένες Μονάδες) |
| ④ Περίσφιδα | ⑧ Αγωγός ψυκτικού μέσου | |

ΣΗΜΕΙΩΣΗ

Οι εικονογραφήσεις σε αυτό το εγχειρίδιο είναι για επεξηγηματικούς σκοπούς. Το πραγματικό σχήμα της εσωτερικής σας μονάδας μπορεί να διαφέρει ελαφρώς. Το πραγματικό σχήμα θα επικρατήσει.

Εγκατάσταση Εσωτερικής Μονάδας

Οδηγίες Εγκατάστασης- Εσωτερική Μονάδα

ΣΗΜΑΝΤΙΚΟ ΣΤΗΝ ΕΓΚΑΤΑΣΤΑΣΗ

Πριν την εγκατάσταση της εσωτερικής μονάδας, ανατρέξτε στο ταμπελάκι του κουτιού του προϊόντος για να διασφαλίσετε ότι ο αριθμός του μοντέλου της εσωτερικής μονάδας ταιριάζει με τον αριθμό του μοντέλου της εξωτερικής μονάδας.

Βήμα 1: Επιλέξτε τοποθεσία εγκατάστασης.

Πριν εγκαταστήσετε την εσωτερική μονάδα, θα πρέπει να επιλέξετε κατάλληλη τοποθεσία. Οι ακόλουθες είναι προϋποθέσεις που θα σας βοηθήσουν να βρείτε κατάλληλη τοποθεσία.

Για σωστή τοποθεσία εγκατάστασης ακολουθήστε τις παρακάτω οδηγίες:

- Καλή ανακυκλοφορία αέρα
- Επαρκής αποστράγγιση
- Ο θόρυβος από τη μονάδα δεν θα ενοχλεί τους παρευρισκόμενους
- Σταθερή και στιβαρή τοποθεσία για αποφυγή κραδασμών
- Στιβαρό αρκετά να υποστηρίξει το βάρος της μονάδας
- Τοποθεσία τουλάχιστον 1 μέτρο μακριά από ηλεκτρικές συσκευές (πχ. Τηλεόραση, Ραδιόφωνο, Υπολογιστή)

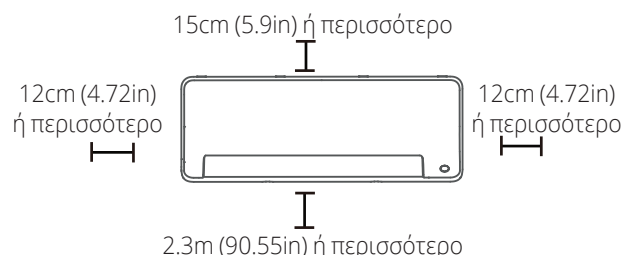
ΜΗΝ εγκαθιστάτε τη μονάδα στις ακόλουθες τοποθεσίες:

- ⊗ Δίπλα σε εύφλεκτα αντικείμενα όπως κουρτίνες ή ρούχα
- ⊗ Δίπλα σε εμπόδια που μπορεί να μπλοκάρουν την ανακυκλοφορία του αέρα
- ⊗ Δίπλα από το άνοιγμα πόρτας
- ⊗ Σε περιοχές απευθείας έκθεσης στην ηλιακή ακτινοβολία

ΣΗΜΕΙΩΣΗ ΓΙΑ ΤΗΝ ΟΠΗ ΤΟΙΧΟΥ:

Αν δεν υπάρχει σταθερός αγωγός ψυκτικού μέσου: Όταν θα ψάχνετε για τοποθεσία εγκατάστασης, να γνωρίζετε ότι πρέπει να αφήσετε αρκετό χώρο για την οπή στον τοίχο (Δείτε το Βήμα "Ανοίξτε την οπή στον τοίχο για τον αγωγό σύνδεσης) για το καλώδιο σήματος και τον αγωγό ψυκτικού μέσου που ενώνει την εσωτερική με την εξωτερική μονάδα. Η προεπιλεγμένη τοποθέτηση για όλες τις σωληνώσεις είναι η δεξιά πλευρά της εσωτερικής μονάδας (όπως βλέπετε τη μονάδα). Παρόλα αυτά, η μονάδα μπορεί να προσαρμοστεί αγωγό και στις δυο πλευρές, αριστερά και δεξιά.

Ανατρέξτε στο ακόλουθο διάγραμμα ώστε να επιβεβαιώσετε την κατάλληλη απόσταση από τους τοίχους και την οροφή:



ΣΗΜΕΙΩΣΗ:

• Εάν δεν χρειάζεται το πίσω στήριγμα για την σταθεροποίηση της μονάδας:

Ολοκληρώστε τις συνδέσεις των σωληνώσεων και των καλωδιώσεων πριν την τοποθέτηση της μονάδας στον τοίχο. Αν το ύψος εγκατάστασης είναι περιορισμένο, 5cm επιτρέπονται, αλλά αυτή η μείωση μπορεί να χαμηλώσει την απόδοση της μονάδας. Για να διασφαλίσετε ότι θα υπάρχει αρκετός χώρος για την εγκατάσταση και αφαίρεση του φίλτρου αέρα, διατηρήστε τουλάχιστον 10cm από την οροφή.

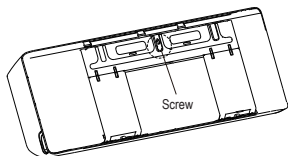
• Εάν χρειάζεται το πίσω στήριγμα για την σταθεροποίηση της μονάδας:

Για να μπορέσει να σταθεροποιηθεί η μονάδα ανοιχτή με το πίσω στήριγμα, χρειάζονται τουλάχιστον 22cm από την οροφή διαθέσιμα. Στην περίπτωση που αφαιρεθεί το μπροστινό πάνελ, η απαιτούμενη απόσταση από την οροφή είναι τουλάχιστον 11cm.

Βήμα 2: Προσαρμόστε την βάση στήριξης στον τοίχο

Η επιτοίχια πλακέτα είναι η συσκευή στην οποία τοποθετείτε την εσωτερική μονάδα.

- Αφαιρέστε τη βίδα που προσαρμόζεται η βάση στήριξης στο πίσω μέρος της εσωτερικής μονάδας.



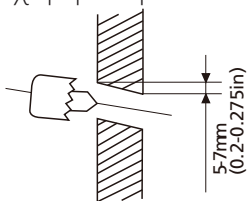
- Βιδώστε την βάση στήριξης στον τοίχο με τις βίδες που παρέχονται. Επιβεβαιώστε ότι η βάση στήριξης ακουμπάει πλήρως στον τοίχο.

ΣΗΜΕΙΩΣΗ ΓΙΑ ΤΟΙΧΟΥΣ ΜΕ ΤΟΥΒΛΑ Η ΣΚΥΡΟΔΕΜΑ:

Αν ο τοίχος είναι κατασκευασμένος από τούβλο, σκυρόδεμα ή παρόμοια υλικά, ανοίξτε οπές διαμέτρου 5mm (0.2in) στον τοίχο και τοποθετήστε ούπα στερεώματος που παρέχονται. Έπειτα εφαρμόστε την επιτοίχια πλακέτα στον τοίχο βιδώνοντας στα κλιπ στερέωσης

Βήμα 3: Διάνοξη οπής στον τοίχο για τον αγωγό σύνδεσης

1. Εξακριβώστε τη τοποθεσία της οπής στον τοίχο βάσει της θέσης της βάσης στήριξης. Ανατρέξτε στις Διαστάσεις Βάσης Στήριξης
2. Χρησιμοποιώντας τρυπάνι Φ65mm, ανοίξτε οπή στον τοίχο. Βεβαιωθείτε ότι η οπή θα ανοιχτεί υπό κάθετη γωνία, έτσι ώστε το εξωτερικό τελείωμα της τρύπας να είναι χαμηλότερο από το εσωτερικό τελείωμα κατά 5mm έως 7mm (0.2- 0.275in). Αυτό θα επιβεβαιώσει την απαραίτητη αποστράγγιση νερού.



ΣΗΜΕΙΩΣΗ: Όταν ο αγωγός αερίου έχει διάμετρο Φ16mm(5/8in) ή μεγαλύτερη, η οπή στον τοίχο θα πρέπει να είναι 90mm(3.54in).

3. Τοποθετήστε το προστατευτικό κάλυμμα πάνω από τη τρύπα. Αυτό προστατεύει τις γωνίες της οπής και θα βοηθήσει στη κάλυψή της όταν τελειώσετε τη διαδικασία εγκατάστασης.

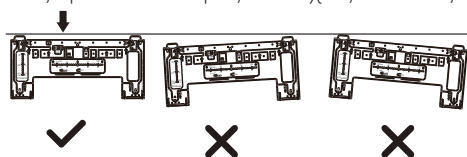
⚠ ΠΡΟΣΟΧΗ

Όταν ανοίγετε την οπή στον τοίχο, βεβαιωθείτε ότι αποφεύγετε καλώδια, υδραυλικούς αγωγούς ή άλλα ευαίσθητα εξαρτήματα

ΔΙΑΣΤΑΣΕΙΣ ΒΑΣΗΣ ΣΤΗΡΙΞΗΣ

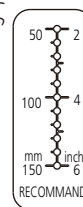
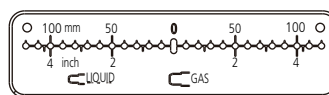
Διαφορετικά μοντέλα έχουν διαφορετικές βάσεις στήριξης. Για διευκόλυνση της εγκατάστασης, υπάρχουν εγκατεστημένα αλφάδια και χαραγμένες διαστάσεις επάνω στην βάση στήριξης. Εγκαταστήστε την βάση στήριξης και ανοίξτε τις απαραίτητες οπές σύμφωνα με τις πληροφορίες της βάσης στήριξης και των εικόνων που ακολουθούν.

Σωστός προσανατολισμός Επιτοίχιας Μονάδας



Μονάδα: mm(inch)

Οριζόντιας διεύθυνσης χάρακας

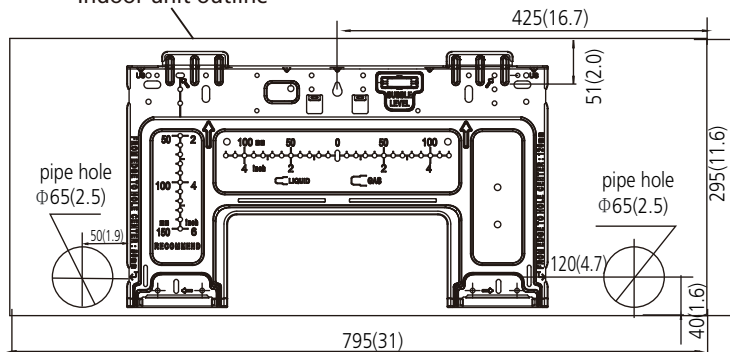


Κατακόρυφης διεύθυνσης χάρακας



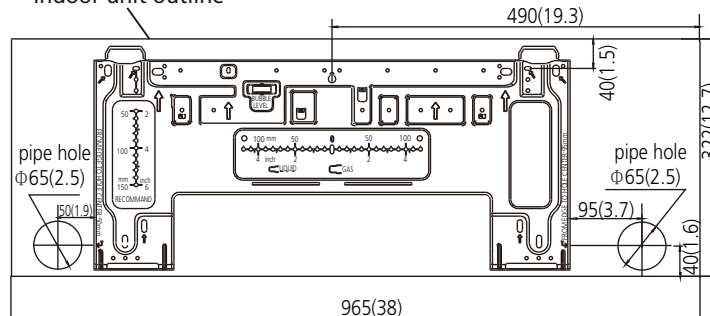
ΠΡΟΣΟΧΗ: Η φυσαλίδα στο αλφάδι δεν μπορεί να αφαιρεθεί. Αν σπάσει, βεβαιωθείτε ότι θα καθαριστεί το ενσωματωμένο υγρό.

Indoor unit outline

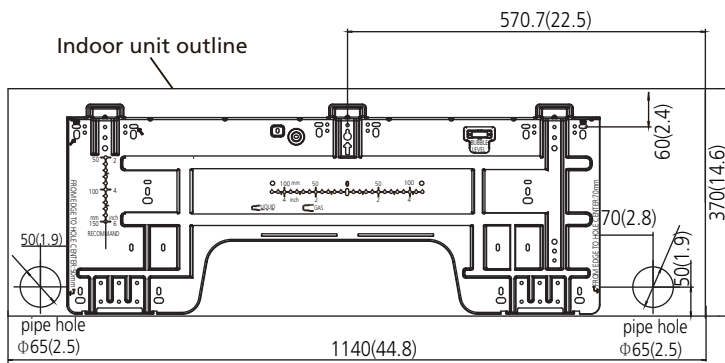


Model A

Indoor unit outline



Model B



Model C

Βήμα 4: Προετοιμάστε τον αγωγό ψυκτικού μέσου

Ο αγωγός ψυκτικού μέσου είναι εντός της προστατευμένης θήκης στο πίσω μέρος της μονάδας. Πρέπει να προετοιμάσετε τη σωληνώση πριν τη περάσετε μέσα από τον τοίχο. Ανατρέξτε στην ενότητα Σύνδεση Αγωγού Ψυκτικού Μέσου του παρόντος εγχειριδίου για περισσότερες λεπτομέρειες σχετικά με το άνοιγμα του αγωγού, την περιστροφή του, τις τεχνικές προδιαγραφές κλπ.

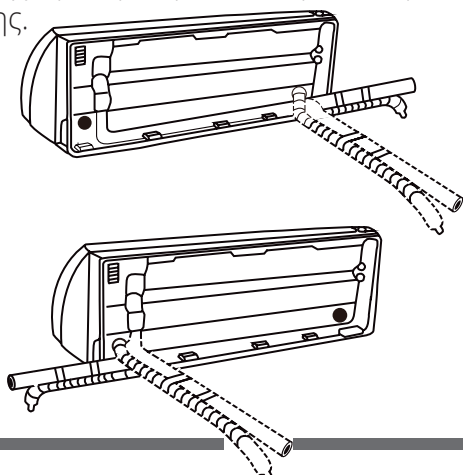
ΣΗΜΕΙΩΣΕΙΣ ΓΙΑ ΤΗΝ ΓΩΝΙΑ ΤΟΥ ΑΓΩΓΟΥ

Ο αγωγός του ψυκτικού μέσου μπορεί να βγει από την εσωτερική μονάδα από 4 διαφορετικές γωνίες:

- Αριστερή πλευρά
- Αριστερή πίσω πλευρά
- Δεξιά πλευρά
- Δεξιά πίσω πλευρά
- Όταν επιλέγετε τοποθέτηση από την αριστερή ή δεξιά πλευρά, φροντίστε ώστε οι σωληνώσεις να διέρχονται οριζόντια ώστε να επηρεάσουν το λιγότερο δυνατό την μόνωση της μονάδας.

⚠ ΠΡΟΣΟΧΗ

Να είστε ιδιαίτερα προσεκτικοί όταν κάμπτετε τις σωληνώσεις για την αποφυγή τσακίσματος ή ζημιάς. Μπορεί να προκληθεί διαρροή στην μονάδα ή να έχει μειωμένη απόδοση κατά την λειτουργία της.



Αν ο αγωγός της μονάδας είναι ήδη περασμένος από τον τοίχο, τότε:

Βήμα 1: Κρεμάστε την εσωτερική μονάδα στη επιτοίχια πλακέτα:

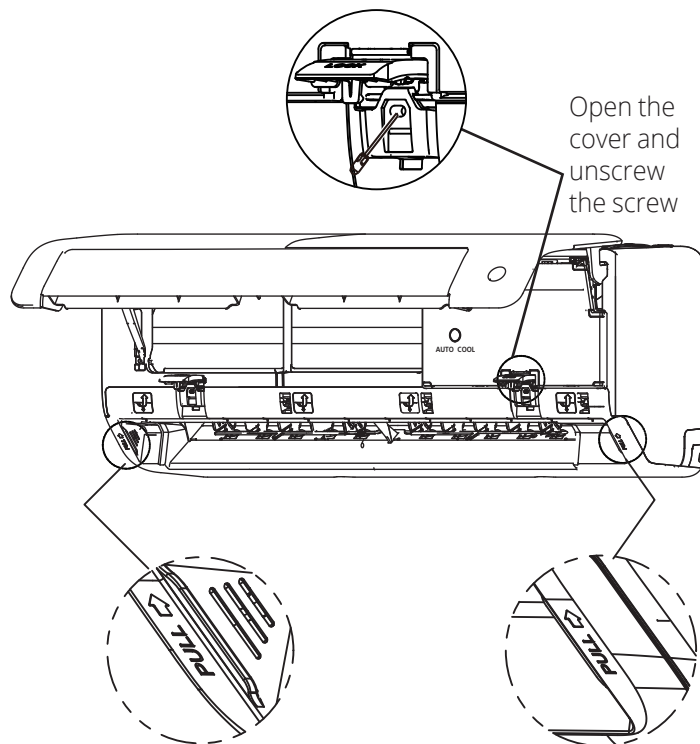
Έχετε στο μυαλό σας ότι οι γάντζοι στην επιτοίχια πλακέτα είναι μικρότεροι από τις τρύπες στο πίσω μέρος της μονάδας. Αν βρείτε ότι δεν έχετε επαρκή χώρο στο δωμάτιο να συνδέσετε τις σωληνώσεις στην εσωτερική μονάδα, η μονάδα μπορεί να προσαρμοστεί αριστερά ή δεξιά κατά 30-55mm (1.18-1.95in), ανάλογα το μοντέλο.



Μετακινήστε αριστερά ή δεξιά

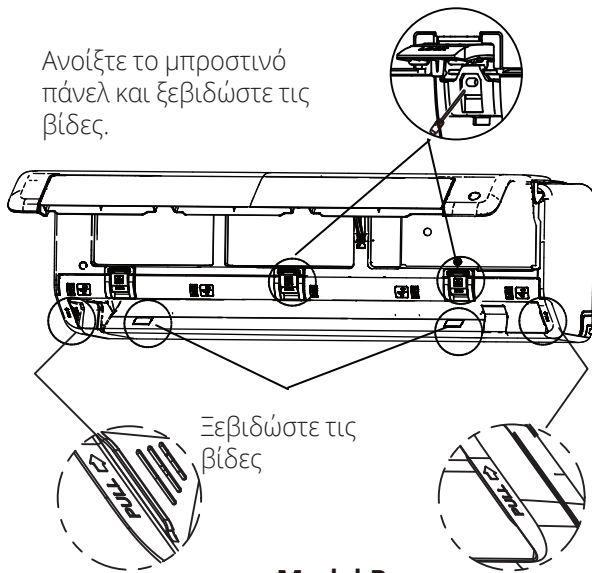
Βήμα 2: Ετοιμάστε τον αγωγό ψυκτικού μέσου:

Ανοίξτε και ρυθμίστε τη θέση του πάνελ, μετά ανοίξτε τα καπάκια των 2 κλειδωμάτων, ξεβιδώστε την βίδα που εμφανίζεται στην παρακάτω φωτογραφία, και στην συνέχεια κρατήστε τις δύο πλευρές που της κάτω μεριάς του πάνελ που αναγράφουν "PULL" και τραβήξτε τα προς τα επάνω για να απελευθερωθεί η ασφάλεια. Στην συνέχεια μπορείτε να αφαιρέσετε την κάτω πλευρά του πάνελ. Ανοίξτε το μπροστινό πάνελ και ξεβιδώστε την βίδα.

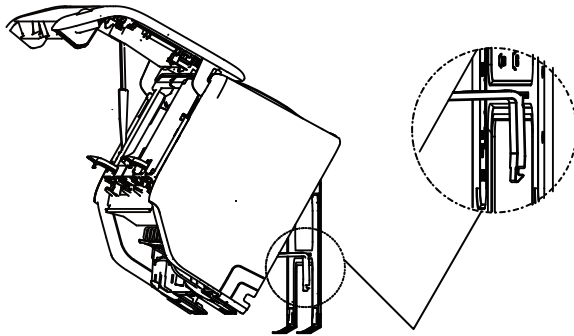


Open the cover and unscrew the screw

Ανοίξτε το μπροστινό πάνελ και ξεβιδώστε τις βίδες.



2. Χρησιμοποιήστε το πίσω στήριγμα για να κρατήσετε την μονάδα σταθερή, ώστε να έχετε αρκετό χώρο για να συνδέσετε τις ψυκτικές σωληνώσεις, την καλωδίωση και την σωλήνα αποχέτευσης.



Χρησιμοποιήστε το στήριγμα στο πίσω μέρος της μονάδας για να στερεώσετε τον μονάδα υπό γωνία στην βάση στήριξης.

Βήμα 3. Συνδέστε τον σύνδεσμο αποστράγγισης και τον αγωγό ψυκτικού μέσου (ανατρέξτε στην ενότητα Σύνδεση αγωγού ψυκτικού μέσου του παρόντος εγχειριδίου)

Βήμα 4. Κρατήστε το σημείο σύνδεσης του αγωγού εκτεθειμένο ώστε να κάνετε το τεστ διαρροής (ανατρέξτε στην ενότητα έλεγχου για Ηλεκτρολογικές Διαρροές και Διαρροές Υγρών του παρόντος εγχειριδίου).

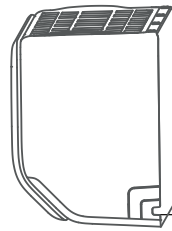
Βήμα 5. Μετά από το τεστ διαρροής, τυλίξτε το σημείο σύνδεσης με μονωτική ταινία.

Βήμα 6. Αφαιρέστε το κομμάτι που φέρει η μονωτική ταινία.

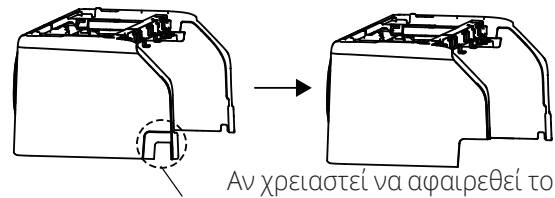
Βήμα 7. Ασκήστε πίεση, πιέζοντας προς τα κάτω στη μέση της μονάδας. Συνεχίστε να πιέζετε προς τα κάτω μέχρι η μονάδα να γαντζωθεί στην επιτοίχια πλακέτα.

Εάν δεν υπάρχει ενσωματωμένος αγωγός ψυκτικού μέσου στο τοίχο, κάντε τα ακόλουθα:

1. Βασιζόμενοι στη θέση της οπής του τοίχου σχετικά με την επιτοίχια πλακέτα, επιλέξτε τη πλευρά από την οποία θα βγαίνει ο αγωγός από τη μονάδα.
2. Αν η οπή είναι πίσω από τη μονάδα, κρατήστε εκεί το αφαιρούμενο πάνελ. Αν η οπή είναι από τη πλευρά της εσωτερικής μονάδας, αφαιρέστε το πλαστικό αφαιρούμενο πάνελ από αυτή τη πλευρά της μονάδας (σύμφωνα με εικόνα). Αυτό θα δημιουργήσει ένα κενό μέσω του οποίου μπορεί να βγαίνει ο αγωγός από τη μονάδα. Χρησιμοποιήστε ειδική πένσα αν το πλαστικό πάνελ είναι πολύ δύσκολο να αφαιρεθεί με το χέρι.



Αφαιρούμενο πάνελ



Αν χρειαστεί να αφαιρεθεί το τμήμα του πάνελ, αφαιρέστε σύμφωνα με την εικόνα

3. Χρησιμοποιήστε ψαλίδια να κόψετε το μήκος της μονωτικής ταινίας αφήνοντας περίπου 40mm (1.57in) από τον αγωγό ψυκτικού μέσου. Αυτό εξυπηρετεί 2 σκοπούς:

- Να διευκολύνει τη διαδικασία σύνδεσης του αγωγού Ψυκτικού Μέσου
- Να διευκολύνει τον έλεγχο για διαρροή και τον έλεγχο βαθουλωμάτων

4. Χρησιμοποιήστε το πίσω στήριγμα για να κρατήσετε την μονάδα σταθερή, ώστε να έχετε αρκετό χώρο για να συνδέσετε τις ψυκτικές σωληνώσεις, την καλωδίωση και την σωλήνα αποχέτευσης.

5. Συνδέστε τον αγωγό ψυκτικού μέσου της εσωτερικής μονάδας στον αγωγό σύνδεσης της εσωτερικής με την εξωτερική μονάδα. Ανατρέξτε στην ενότητα Σύνδεση Αγωγού Ψυκτικού Μέσου του παρόντος εγχειριδίου για περισσότερες πληροφορίες.

6. Βασιζόμενοι στη θέση της οπής του τοίχου σχετικά με την επιτοίχια πλακέτα, επιβεβαιώστε την απαραίτητη γωνία του αγωγού.

7. Τυλίξτε τον αγωγό ψυκτικού μέσου στη βάση στήριξης.

8. Αργά, χωρίς σχεδόν καμία πίεση, στηρίξτε τον αγωγό σύμφωνα με την οπή. ΜΗΝ λυγίζετε ή καταστρέψετε τον αγωγό κατά τη διάρκεια της διαδικασίας

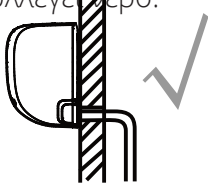
Βήμα 5. Συνδέστε τον αγωγό αποστράγγισης Προεπιλεγμένα, ο αγωγός αποστράγγισης είναι ενσωματωμένος στην αριστερή πλευρά της μονάδας (όπως βλέπετε το πίσω μέρος της μονάδας). Παρόλα αυτά, μπορεί επίσης να ενσωματωθεί στη δεξιά πλευρά. Για να διασφαλίσετε την απαραίτητη αποστράγγιση, ενσωματώστε τον αγωγό αποστράγγισης στην ίδια πλευρά που ο αγωγός του ψυκτικού μέσου βγαίνει από τη μονάδα.

- Τυλίξτε το σημείο σύνδεσης με Teflon ταινία ώστε να διασφαλίσετε καλή μόνωση και να αποφύγετε την όποια διαρροή.
- Αφαιρέστε το φίλτρο αέρα και αδειάστε μικρή ποσότητα νερού μέσα στο δοχείο αποστράγγισης ώστε να βεβαιωθείτε ότι το νερό ρέει ομαλά.

ΣΗΜΕΙΩΣΗ ΣΤΗΝ ΤΟΠΟΘΕΤΗΣΗ ΤΟΥ ΑΓΩΓΟΥ ΑΠΟΣΤΡΑΓΓΙΣΗΣ

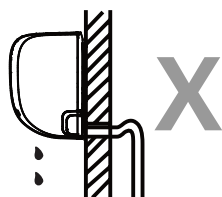
Βεβαιωθείτε ότι τοποθετήσατε τον αγωγό αποστράγγισης σύμφωνα με τις παρακάτω φωτογραφίες

- ⊗ **ΜΗΝ** λυγίζετε τον αγωγό αποστράγγισης.
- ⊗ **ΜΗΝ** παγιδεύετε το νερό.
- ⊗ **ΜΗΝ** τοποθετείτε το άκρο του αγωγού αποστράγγισης μέσα στο νερό ή σε δοχείο που συλλέγει νερό.



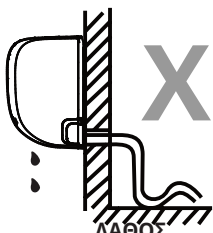
ΣΩΣΤΟ

Βεβαιωθείτε ότι δεν υπάρχουν τσακίσματα ή βαθουλώματα στον αγωγό αποστράγγισης ώστε να διασφαλίσετε την απαραίτητη αποστράγγιση



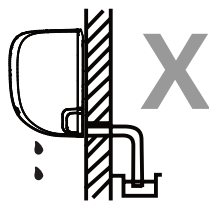
ΛΑΘΟΣ

Τσάκισμα στον αγωγό αποστράγγισης θα οδηγήσει στη παγιδεύση του νερού



ΛΑΘΟΣ

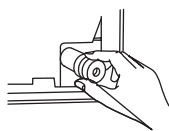
Τσάκισμα στον αγωγό αποστράγγισης θα οδηγήσει στην παγιδεύση του νερού



ΛΑΘΟΣ

Μην τοποθετείτε το άκρο του αγωγού αποστράγγισης μέσα σε νερό ή σε δοχείο συλλογής νερού. Αυτό μπορεί να προκαλέσει διαρροή.

ΦΡΑΣΤΕ ΤΟΝ ΑΧΡΗΣΙΜΟΠΟΙΗΤΟ ΑΓΩΓΟ ΑΠΟΣΤΡΑΓΓΙΣΗΣ



Για να αποφύγετε ανεπιθύμητες διαρροές θα πρέπει να φράσετε τον αχρησιμοποίητο αγωγό αποστράγγισης με την ενδεικνυόμενη τσιμούχα.

ΠΡΙΝ ΕΚΚΙΝΗΣΕΤΕ ΤΙΣ ΗΛΕΚΤΡΟΛΟΓΙΚΕΣ ΕΡΓΑΣΙΕΣ, ΔΙΑΒΑΣΤΕ ΑΥΤΕΣ ΤΙΣ ΟΔΗΓΙΕΣ ΠΡΟΕΙΔΟΠΟΙΗΣΗ

1. Η ηλεκτρολογικές συνδέσεις θα πρέπει να συμφωνούν πλήρως με τις τοπικές και εθνικές οδηγίες και θα πρέπει να εγκατασταθούν από εξουσιοδοτημένο ηλεκτρολόγο.
2. Όλες οι ηλεκτρολογικές συνδέσεις πρέπει να είναι σύμφωνες με Διάγραμμα Ηλεκτρολογικής Σύνδεσης που βρίσκεται στο πάνελ της εσωτερικής και εξωτερικής μονάδας.
3. Αν υπάρχει σοβαρό θέμα ασφαλείας με τη παροχή ρεύματος, σταματήστε τις διεργασίες αμέσως. Εξηγήστε τους λόγους στον πελάτη και αρνηθείτε να εγκαταστήσετε τη μονάδα μέχρι να αποκατασταθεί η βλάβη.
4. Η τάση του ρεύματος θα πρέπει να είναι μεταξύ 90-110% της βαθμονομημένης τάσης. Απροσδιόριστη παροχή ρεύματος μπορεί να προκαλέσει δυσλειτουργία, ηλεκτροπληξία ή φωτιά.
5. Αν τροφοδοτήσετε με ρεύμα την ηλεκτρολογική εγκατάσταση του χώρου παρακαλείσθε να βάλετε διάταξη προστασίας υπέρτασης και ασφαλειοδιακόπτη με χωρητικότητα 1.5 φορά μεγαλύτερη από τη μέγιστη ένταση ρεύματος της μονάδας.
6. Αν τροφοδοτήσετε με ρεύμα τις ηλεκτρολογικές συνδέσεις, ένας διακόπτης ή ασφαλειοδιακόπτης που αποσυνδέει όλους τους πόλους και έχει διαχωριστική επαφή τουλάχιστον 1/8in (3mm) θα πρέπει να είναι συνδεδεμένος στην ηλεκτρολογική σύνδεση. Ο εξειδικευμένος τεχνικός πρέπει να χρησιμοποιεί αυτόματο διακόπτη κυκλώματος.
7. Συνδέστε τη μονάδα σε ανεξάρτητο ηλεκτρολογικό κύκλωμα. Μην συνδέετε άλλες συσκευές σε αυτή τη πρίζα.
8. Βεβαιωθείτε ότι το κλιματιστικό είναι σωστά γειωμένο.
9. Κάθε καλώδιο θα πρέπει να είναι σφιχτά συνδεδεμένο. Μη ασφαλισμένη καλωδίωση μπορεί να οδηγήσει σε υπερθέρμανση της μονάδας, οδηγώντας σε δυσλειτουργία του προϊόντος και πιθανή φωτιά.
10. Μην αφήνετε τις επαφές καλωδίων ή άλλα μέρη εκτεθειμένα στον ψυκτικό κύκλο, τον συμπιεστή ή οποιοδήποτε κινητό μέρος της μονάδας.
11. Αν η μονάδα έχει βοηθητικές θερμαντικές αντιστάσεις, θα πρέπει να εγκατασταθεί τουλάχιστον 1 μέτρο (40in) μακριά από εύφλεκτα υλικά.
12. Για αποφυγή ηλεκτροπληξίας, μην ακουμπάτε ποτέ τις ηλεκτρικές διατάξεις σύντομα μετά την απενεργοποίηση της μονάδας. Πάντα περιμένετε τουλάχιστον 10 λεπτά πριν ακουμπήσετε τις ηλεκτρικές διατάξεις.

⚠ ΠΡΟΕΙΔΟΠΟΙΗΣΗ

ΠΡΙΝ ΤΙΣ ΗΛΕΚΤΡΟΝΙΚΕΣ Ή ΗΛΕΚΤΡΟΛΟΓΙΚΕΣ ΔΙΕΡΓΑΣΙΕΣ, ΑΠΟΣΥΝΔΕΣΤΕ ΤΗ ΚΥΡΙΑ ΠΑΡΟΧΗ ΡΕΥΜΑΤΟΣ ΑΠΟ ΤΟ ΣΥΣΤΗΜΑ

Βήμα 6: Συνδέστε το καλώδιο σήματος

Το καλώδιο σήματος επιτρέπει την επικοινωνία μεταξύ εξωτερικής και εσωτερικής μονάδας. Θα πρέπει πρώτα να επιλέξετε το σωστό μέγεθος καλωδίου πριν πραγματοποιήσετε τη σύνδεση.

Τύποι Καλωδίων

- **Εσωτερικό Καλώδιο Παροχής** (Αν εφαρμόζεται) H05VV-F ή H05V2V2-F
- **Εξωτερικό Καλώδιο Παροχής** H07RN-F ή H05RN-F
- **Καλώδιο σήματος:** H07RN-F

Ελάχιστη Διατομή Καλωδίου για καλώδια Ρεύματος και Σήματος (προς αναφορά) (δεν ισχύουν για Βόρεια Αμερική)

Ονομαστική Ένταση Ρεύματος Συσκευής (A)	Διατομή Καλωδίου (mm ²)
> 3 και ≤ 6	0.75
> 6 και ≤ 10	1
> 10 και ≤ 16	1.5
> 16 και ≤ 25	2.5
> 25 και ≤ 32	4
> 32 και ≤ 40	6

ΕΠΙΛΕΞΤΕ ΚΑΤΑΛΗΛΟ ΜΕΓΕΘΟΣ ΚΑΛΩΔΙΟΥ

Το κατάλληλο μέγεθος του καλωδίου τροφοδοσίας, του καλωδίου σήματος, του καλωδίου ασφαλείας και του διακόπτη καθορίζεται από το μέγιστο ρεύμα που ενδείκνυται από τη συσκευή. Ανατρέξτε στο ταμπελάκι που βρίσκεται στον πίνακα, ώστε να επιλέξετε το σωστό μέγεθος καλωδίου, την ασφάλεια ή τον διακόπτη.

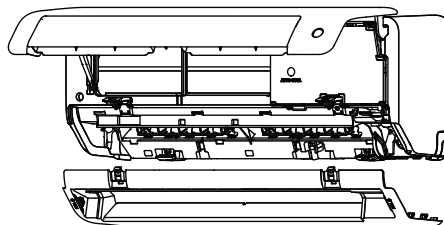
1. Ανοίξτε και στερεώστε το μπροστινό πάνελ, ανοίξτε τα καπάκια από τις δύο ασφάλειες, ξεβιδώστε την μια βίδα και στην συνέχεια κρατήστε τις δύο άκρες της κάτω πλευράς του πάνελ που είναι μαρκαρισμένες με "PULL". Τραβήξτε τα προς τα πάνω για να απελευθερώσετε τις ασφάλειες και αφαιρέστε προς τα κάτω την κάτω πλευρά του πάνελ.
2. Ανοίξτε το κάλυμμα των καλωδίων για συνδέσετε την καλωδίωση.
3. Ξεβιδώστε τον σφιγκτήρα των καλωδίων του τερματικού και κρατήστε τον στην άκρη.

4. Βλέποντας το πίσω μέρος της μονάδας, αφαιρέστε το πλαστικό πάνελ στο κάτω μέρος της αριστερής πλευράς.

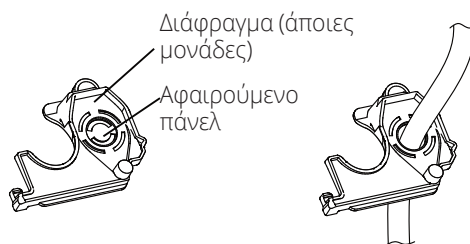
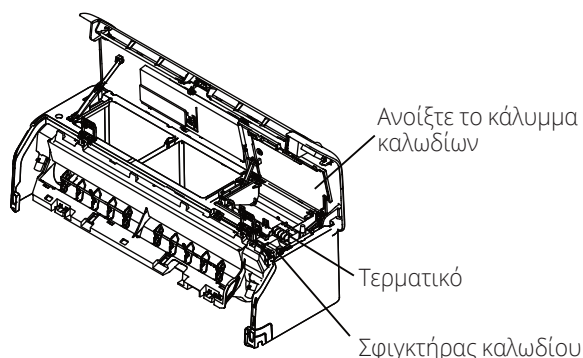
⚠ ΠΡΟΕΙΔΟΠΟΙΗΣΗ

ΟΛΕΣ ΟΙ ΚΑΛΩΔΙΩΣΕΙΣ ΠΡΕΠΕΙ ΝΑ ΕΙΝΑΙ ΑΠΟΛΥΤΑ ΣΥΜΦΩΝΕΣ ΜΕ ΤΟ ΔΙΑΓΡΑΜΜΑ ΚΑΛΩΔΙΩΣΗΣ ΠΟΥ ΒΡΙΣΚΕΤΑΙ ΣΤΟ ΕΣΩΤΕΡΙΚΟ ΜΕΡΟΣ ΤΟΥ ΚΑΛΥΜΜΑΤΟΣ ΚΑΛΩΔΙΩΝ ΤΗΣ ΕΣΩΤΕΡΙΚΗΣ ΜΟΝΑΔΑΣ.

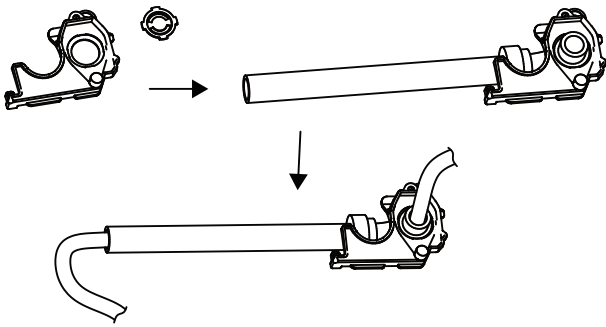
5. Τροφοδοτήστε το καλώδιο σήματος μέσω αυτής της υποδοχής, από το πίσω μέρος της μονάδας στο μπροστινό.
6. Βλέποντας το μπροστινό μέρος της μονάδας, ταιριάξτε τα χρώματα των καλωδίων με τα ταμπελάκια στο τερματικό, ενώστε την επαφή και σφιχτά βιδώστε κάθε καλώδιο στην αντίστοιχη υποδοχή.



Πρώτα ανοίξτε το μπροστινό καπάκι και αφαιρέστε την κάτω πλευρά του πάνελ.



ΣΗΜΕΙΩΣΗ: Αν το μέγεθος των καλωδίων είναι πολύ μεγάλο, αφαιρέστε πρώτα το αφαιρούμενο πάνελ για να δημιουργήσετε αρκετό χώρο για την τροφοδότηση των καλωδίων. Σε περίπτωση που χρειαστεί να αφαιρεθεί όλο το κέλυφος ή η σωλήνα αποστράγγισης, αφαιρέστε πρώτα το διάφραγμα.



⚠ ΠΡΟΣΟΧΗ

ΜΗΝ ΜΠΛΕΚΕΤΕ ΤΑ ΚΑΛΩΔΙΑ ΤΑΣΗΣ ΚΑΙ ΟΥΔΕΤΕΡΟΥ

Αυτό είναι επικίνδυνο και μπορεί να προκαλέσει δυσλειτουργίες στο κλιματιστικό.

- Αφότου ελέγξετε να βεβαιωθείτε ότι κάθε σύνδεση είναι ασφαλής, χρησιμοποιήστε το σφιγκτήρα καλωδίων ώστε να συνδέσετε το καλώδιο σήματος στη μονάδα. Βιδώστε τον σφιγκτήρα καλωδίων προς τα κάτω γερά.
- Αντικαταστήστε το κάλυμμα του καλωδίου στο μπροστινό μέρος της μονάδας και το πλαστικό κάλυμμα στο πίσω μέρος.

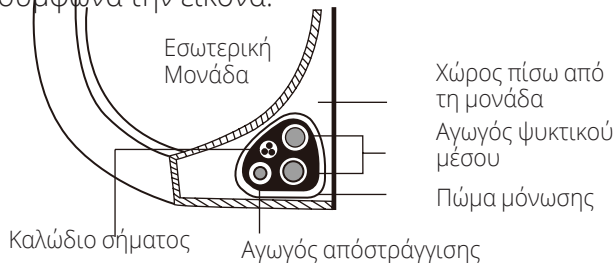
❗ ΣΗΜΕΙΩΣΗ ΓΙΑ ΚΑΛΩΔΙΩΣΕΙΣ

Η ΗΛΕΚΤΡΟΛΟΓΙΚΗ ΣΥΝΔΕΣΗ ΜΠΟΡΕΙ ΝΑ ΔΙΑΦΕΡΕΙ ΕΛΑΦΡΩΣ ΜΕΤΑΞΥ ΤΩΝ ΜΟΝΑΔΩΝ.

Βήμα 7: Τυλίξτε καλώδια και αγωγούς

Πριν περάσετε τον αγωγό, τον αγωγό αποστράγγισης και το καλώδιο σήματος μέσω της οπής του τοίχου, θα πρέπει να τα δέσετε μαζί ώστε να εξοικονομήσετε χώρο, να τα προστατέψετε και να τα μονώσετε.

- Τυλίξτε τον αγωγό αποστράγγισης, τους αγωγούς του ψυκτικού και το καλώδιο σήματος σύμφωνα την εικόνα:



Ο ΑΓΩΓΟΣ ΑΠΟΣΤΡΑΓΓΙΣΗΣ ΠΡΕΠΕΙ ΝΑ ΒΡΙΣΚΕΤΑΙ ΣΤΟ ΚΑΤΩ ΜΕΡΟΣ

Βεβαιωθείτε ότι ο αγωγός αποστράγγισης βρίσκεται στο κάτω μέρος του τυλίγματος. Η τοποθέτηση του στο πάνω μέρος μπορεί να επιφέρει υπερχειλίση προκαλώντας ηλεκτροπληξία & φθορές.

ΜΗΝ ΜΠΛΕΚΕΤΕ ΤΑ ΚΑΛΩΔΙΑ ΣΗΜΑΤΟΣ ΜΕ ΤΑ ΥΠΟΛΟΙΠΑ ΚΑΛΩΔΙΑ

Όταν τυλίγετε τα καλώδια μαζί, μην μπλέκετε ή σταυρώνετε το καλώδιο σήματος με κάποιο άλλο καλώδιο

- Χρησιμοποιείτε κολλώδη ταινία βυνιλίου, ώστε να προσαρμόσετε τον αγωγό αποστράγγισης στην κάτω μεριά του αγωγού ψυκτικού μέσου.
- Χρησιμοποιήστε μονωτική ταινία, τυλίξτε το καλώδιο σήματος, τους αγωγούς ψυκτικού μέσου και τον αγωγό αποστράγγισης σφιχτά μεταξύ τους. Ελέγξτε διπλά ότι όλα τα καλώδια είναι τυλιγμένα.

ΜΗΝ ΤΥΛΙΓΕΤΕ ΤΙΣ ΑΚΡΕΣ ΤΩΝ ΑΓΩΓΩΝ

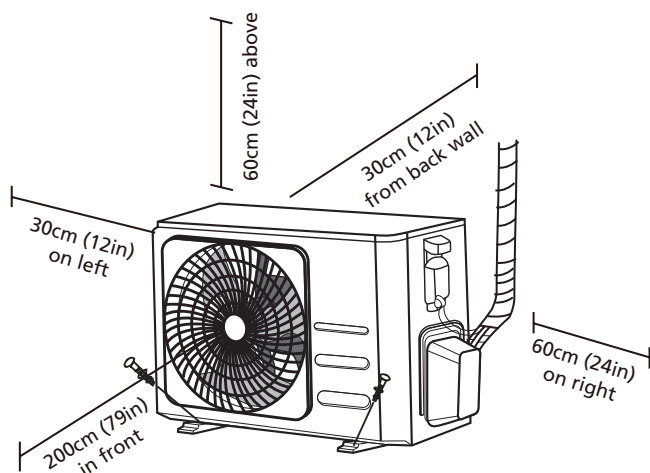
Όταν τυλίγετε τη δέσμη των αγωγών, κρατήστε τις άκρες τους ξετυλιγμένες. Χρειάζεται να έχετε πρόσβαση στις άκρες ώστε να κάνετε έλεγχο για διαρροές στο τέλος της διαδικασίας εγκατάστασης (ανατρέξτε στην ενότητα Ηλεκτρολογικός Έλεγχος και Έλεγχος Διαρροών του παρόντος εγχειριδίου).

Βήμα 8: Τοποθετήστε την εσωτερική μονάδα

Αν εγκαταστήσετε νέους αγωγούς σύνδεσης στην εξωτερική μονάδα, ακολουθήστε τα παρακάτω:

- Αν έχετε ήδη περάσει τον αγωγό ψυκτικού μέσου μέσα στην τρύπα του τοίχου, προχωρήστε στο Βήμα 4.
- Διαφορετικά, ελέγξτε διπλά ότι οι άκρες των αγωγών ψυκτικού μέσου είναι μονωμένες ώστε να αποφευχθεί η βρωμιά ή η εισχώρηση άλλων αντικειμένων μέσα στους αγωγούς.
- Περάστε αργά τη τυλιγμένη δέσμη των αγωγών ψυκτικού μέσου, αποστράγγισης και καλωδίου σήματος, μέσα από την οπή του τοίχου.
- Γαντζώστε το πάνω μέρος της εσωτερικής μονάδας στον πάνω γάντζο της επιτοίχιας πλακέτας.
- Ελέγξτε ότι η μονάδα είναι σφιχτά γαντζωμένη στην επιτοίχια πλακέτα εφαρμόζοντας ελαφριά πίεση στην αριστερή και δεξιά πλευρά της μονάδας. Η μονάδα δεν θα πρέπει να κουνιέται ή να αλλάζει θέση.
- Ασκήστε παραπάνω πίεση, σπρώξτε προς τα κάτω στα μέσα της μονάδας. Συνεχίστε να πιέζετε προς τα κάτω, μέχρι η μονάδα να γαντζωθεί σε όλο το μήκος το κάτω μέρος της επιτοίχιας μονάδας.
- Ξανά, ελέγξτε ότι η μονάδα εφαρμόζεται ακριβώς ασκώντας ελαφριά πίεση στην αριστερή και δεξιά πλευρά της μονάδας

Εγκατάσταση Εξωτερικής Μονάδας



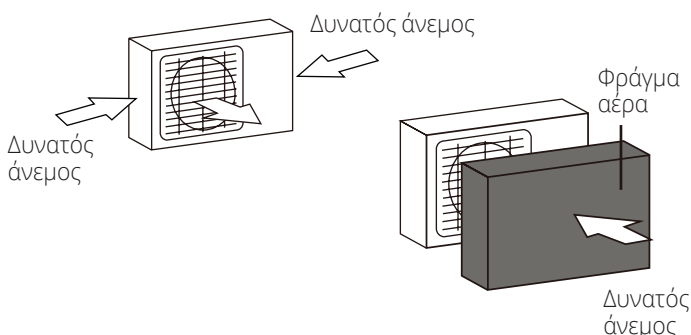
αποβάλλεται

- ⊗ Κοντά σε κάθε είδους εύφλεκτη πηγή
- ⊗ Σε περιοχές που αποβάλλεται μεγάλη ποσότητα σκόνης
- ⊗ Σε περιοχή όπου υπάρχει μεγάλη ποσότητα άλατος στον αέρα.

ΕΙΔΙΚΕΣ ΣΥΝΘΗΚΕΣ ΓΙΑ ΕΝΤΟΝΑ ΚΑΙΡΙΚΑ ΦΑΙΝΟΜΕΝΑ

Αν η μονάδα εκτίθεται σε έντονο άνεμο:

Εγκαταστήστε τη μονάδα έτσι ώστε η έξοδος ανεμιστήρα να είναι υπό γωνία 90° στη κατεύθυνση του αέρα. Αν χρειαστεί, φτιάξτε ένα φράγμα μπροστά από τη μονάδα ώστε να τη προστατέψετε από τον ισχυρό άνεμο, όπως στις εικόνες παρακάτω.



Αν η μονάδα συχνά εκτίθεται σε έντονη βροχόπτωση ή χιονιά:

Φτιάξτε ένα σκέπαστρο πάνω από τη μονάδα ώστε να τη προστατεύει από βροχή και χιόνι. Προσέξτε να μην εμποδίζετε τον αέρα γύρω από τη μονάδα.

Αν η μονάδα εκτίθεται συχνά σε αέρα με ποσότητα άλατος (παραθαλάσσια):

Χρησιμοποιήστε εξωτερική μονάδα που είναι ειδικά σχεδιασμένη για να αποφεύγεται η διάβρωση

Οδηγίες Εγκατάστασης - Εξωτερική Μονάδα

Βήμα 1. Επιλέξτε τοποθεσία εγκατάστασης

Πριν εγκαταστήσετε την εξωτερική μονάδα, πρέπει να επιλέξετε τη κατάλληλη θέση. Οι ακόλουθες προδιαγραφές θα σας βοηθήσουν να επιλέξετε μια κατάλληλη τοποθεσία για τη μονάδα. Οι κατάλληλες τοποθεσίες εγκατάστασης συναντούν τις ακόλουθες προδιαγραφές:

- Συναντούν όλες τις προϋποθέσεις όπως φαίνεται στις Προδιαγραφές Χώρου Εγκατάστασης
- Καλή ανακυκλοφορία του αέρα και εξαέρωση
- Σταθερή και στιβαρή τοποθεσία για αποφυγή κραδασμών
- Ο θόρυβος της μονάδας δεν θα ενοχλεί τους παρευρισκόμενους
- Προστατεύεται από μεγάλες περιόδους έκθεσης στην ηλιακή ακτινοβολία ή τη βροχή.
- Σε εγκαταστάσεις όπου αναμένεται συχνή χιονόπτωση, τοποθετήστε την μονάδα σε ύψος κατάλληλο ώστε να αποφεύγεται η συσσώρευση πάγου που μπορεί να προκαλέσει ζημιά στην μονάδα. Το ελάχιστο ύψος πρέπει να είναι 46cm (18in)

ΜΗΝ εγκαθιστάτε στις ακόλουθες τοποθεσίες:

- ⊗ Κοντά σε εμπόδια που θα παρεμποδίσουν τον αέρα να εισέλθει και να εξέλθει
- ⊗ Κοντά σε δημόσιους δρόμους, περιοχές με πλήθος ή όπου ο θόρυβος λειτουργίας θα ενοχλήσει άλλους
- ⊗ Κοντά σε ζώα ή φυτά που μπορεί να τραυματιστούν από τον ζεστό αέρα που

Βήμα 2: Εγκαταστήστε τον σύνδεσμο αποστράγγισης

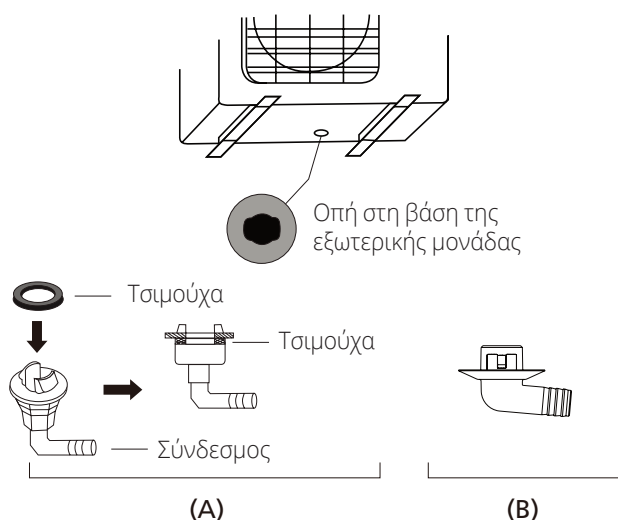
Μονάδες αντλιών θερμότητας προϋποθέτουν σύνδεσμο αποστράγγισης. Πριν βιδώσετε την εξωτερική μονάδα στη βάση, πρέπει να εγκαταστήσετε τον σύνδεσμο αποστράγγισης στο κάτω μέρος της μονάδας. Σημειώστε ότι υπάρχουν δυο διαφορετικοί τύποι συνδέσμων αποστράγγισης που εξαρτώνται από τον τύπο της εξωτερικής μονάδας.

Εάν ο σύνδεσμος φέρει λαστιχένια τσιμούχα (Δείτε Fig. A), κάντε τα ακόλουθα:

1. Προσαρμόστε τη λαστιχένια τσιμούχα στο τέλος του συνδέσμου αποστράγγισης που ενώνεται με την εξωτερική μονάδα.
2. Τοποθετήστε τον σύνδεσμο αποστράγγισης στην οπή της βάσης της μονάδας.
3. Περιστρέψτε τον σύνδεσμο κατά 90° μέχρι να ακούσετε το κλικ στο μπροστινό μέρος της μονάδας.
4. Ενώστε προέκταση του αγωγού αποστράγγισης (δεν συμπεριλαμβάνεται) στον σύνδεσμο αποστράγγισης ώστε να στρέψετε τη ροή του νερού από τη μονάδα κατά τη διάρκεια της λειτουργίας θέρμανσης.

Αν ο σύνδεσμος αποστράγγισης δεν φέρει λαστιχένια τσιμούχα (Δείτε Fig. A), κάντε τα ακόλουθα:

1. Τοποθετήστε αγωγό αποστράγγισης στη τρύπα στη βάση της μονάδας. Ο σύνδεσμος αποστράγγισης πρέπει να κουμπώσει στη βάση.
2. Ενώστε την προέκταση του αγωγού αποστράγγισης (δεν συμπεριλαμβάνεται) με τον σύνδεσμο αποστράγγισης ώστε να στρέψετε το νερό από τη μονάδα κατά τη διάρκεια της λειτουργίας θέρμανσης.



! ΣΕ ΠΑΓΕΡΕΣ ΚΛΙΜΑΤΙΚΕΣ ΣΥΝΘΗΚΕΣ

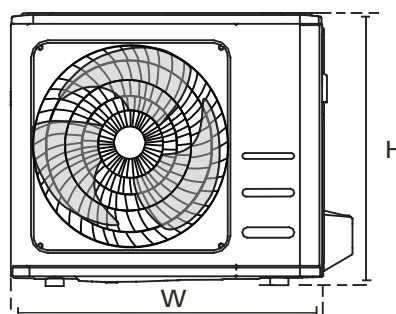
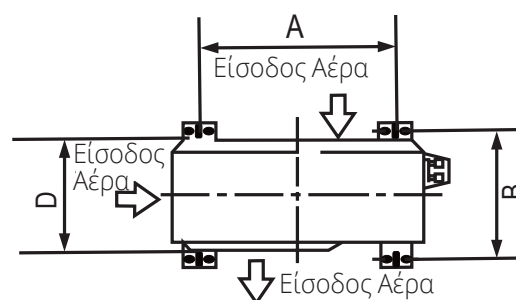
Σε παγερές συνθήκες περιβάλλοντος, βεβαιώστε ότι ο αγωγός αποστράγγισης είναι κάθετος όσο το δυνατόν περισσότερο ώστε να εξασφαλίσετε την αλλαγή στο νερό αποστράγγισης. Αν η αποστράγγιση του νερού γίνεται πολύ αργά, μπορεί να παγώσει στη τρύπα και να υπερχειλίσει τη μονάδα.

Βήμα 3: Στερεώστε την εξωτερική μονάδα

Η εξωτερική μονάδα μπορεί να στερεωθεί στο έδαφος ή σε επιτοίχιο βραχίονα.

ΔΙΑΣΤΑΣΕΙΣ ΕΞΩΤΕΡΙΚΗΣ ΜΟΝΑΔΑΣ

Τα ακόλουθα είναι μια λίστα από διαφορετικές διαστάσεις εξωτερικών μονάδων και αποστάσεις μεταξύ των επιτοίχιων μονάδων. Προετοιμάστε την βάση εγκατάστασης της μονάδας σύμφωνα με τις ακόλουθες διαστάσεις.



Διαστάσεις εξωτερικής μονάδας (mm) W x H x D	Διαστάσεις βάσης εξωτερικής μονάδας	
	Απόσταση Α (mm/in)	Απόσταση Β (mm/in)
681x434x285 (26.8" x 17.1" x 11.2")	460 (18.1")	292 (11.5")
700x550x270 (27.5" x 21.6" x 10.6")	450 (17.7")	260 (10.2")
700x550x275 (27.5" x 21.6" x 10.8")	450 (17.7")	260 (10.2")
720x495x270 (28.3" x 19.5" x 10.6")	452 (17.8")	255 (10.0")
728x555x300 (28.7" x 21.8" x 11.8")	452 (17.8")	302(11.9")
765x555x303 (30.1" x 21.8" x 11.9")	452 (17.8")	286(11.3")
770x555x300 (30.3" x 21.8" x 11.8")	487 (19.2")	298 (11.7")
805x554x330 (31.7" x 21.8" x 12.9")	511 (20.1")	317 (12.5")
800x554x333 (31.5" x 21.8" x 13.1")	514 (20.2")	340 (13.4")
845x702x363 (33.3" x 27.6" x 14.3")	540 (21.3")	350 (13.8")
890x673x342 (35.0" x 26.5" x 13.5")	663 (26.1")	354 (13.9")
946x810x420 (37.2" x 31.9" x 16.5")	673 (26.5")	403 (15.9")
946x810x410 (37.2" x 31.9" x 16.1")	673 (26.5")	403 (15.9")

Αν θα εγκαταστήσετε τη μονάδα στο έδαφος ή σε βάση σκυροδέματος, κάντε τα ακόλουθα:

1. Προσδιορίστε τις θέσεις των τεσσάρων βιδών σύμφωνα με τις διαστάσεις που υπάρχουν στον πίνακα με τις διαστάσεις της Επιτοίχιας Μονάδας.
2. Προσχεδιάστε το άνοιγμα οπών για τα βύσματα προέκτασης
3. Απομακρύνετε τη σκόνη που προέρχεται από το σκυρόδεμα μακριά από τις οπές.
4. Τοποθετήστε ένα παξιμάδι στο τέλος κάθε βίδας.
5. Καρφώστε τα βύσματα προέκτασης στις προσχεδιασμένες οπές.
6. Αφαιρέστε τα παξιμάδια από τα βύσματα προέκτασης και τοποθετήστε την εξωτερική μονάδα στις βίδες.
7. Τοποθετήστε ροδέλες σε κάθε βύσμα προέκτασης και μετά αντικαταστήστε τα παξιμάδια.
8. Χρησιμοποιώντας γαλλικό κλειδί, σφίξτε κάθε παξιμάδι μέχρι να κουμπώσει.

Αν εγκαταστήσετε την μονάδα σε επιτοίχιο βραχίονα, κάντε τα ακόλουθα:

⚠ ΠΡΟΣΟΧΗ

Πριν την εγκατάσταση της επιτοίχιας μονάδας, βεβαιωθείτε ότι ο τοίχος είναι φτιαγμένος από συμπαγή τούβλα, σκυρόδεμα ή όμοια στιβαρά υλικά. **Ο τοίχος πρέπει να είναι ικανός να υποστηρίξει τουλάχιστον τέσσερις φορές το βάρος της μονάδας**

1. Προσδιορίστε τις θέσεις των βραχιόνων σύμφωνα με τις διαστάσεις που υπάρχουν στον πίνακα με τις διαστάσεις της Επιτοίχιας Μονάδας.
2. Προετοιμάστε τις οπές για τα βύσματα προέκτασης.
3. Απομακρύνετε τη σκόνη και τα χαλάσματα μακριά από τις οπές.
4. Τοποθετήστε ένα παξιμάδι στο τέλος κάθε βίδας.
5. Περάστε τα βύσματα προέκτασης μέσα από τις οπές στους επιτοίχιους βραχίονες, τοποθετήστε τους επιτοίχιους βραχίονες στη κατάλληλη θέση και καρφώστε τα βύσματα προέκτασης στον τοίχο.
6. Ελέγξτε ότι τοποθετήθηκαν σωστά και οριζοντιωμένοι οι επιτοίχιοι βραχίονες.
7. Προσεκτικά σηκώστε τη μονάδα και τοποθετήστε τα στηρίγματα της μονάδας πάνω στους βραχίονες.
8. Βιδώστε τη μονάδα ακριβώς στους βραχίονες.

⚠ ΠΡΟΕΙΔΟΠΟΙΗΣΗ

ΟΤΑΝ ΤΡΥΠΑΤΕ ΣΕ ΣΚΥΡΟΔΕΜΑ, ΠΡΟΣΤΑΤΕΨΤΕ ΤΑ ΜΑΤΙΑ ΚΑΘΟΛΗ ΤΗ ΔΙΑΡΚΕΙΑ

9. Αν υπάρχει η δυνατότητα, προσθέστε αντικραδασμικά στην μονάδα για να μειωθούν πιθανοί θόρυβοι λόγω συντονισμού

Βήμα 4: Συνδέστε τα καλώδια σήματος και ρεύματος. Το τερματικό τμήμα της εξωτερικής μονάδας προστατεύεται από ένα κάλυμμα καλωδίου στο πλάγιο μέρος της μονάδας. Το διάγραμμα καλωδίωσης είναι τυπωμένο στο εσωτερικό μέρος του καλύμματος καλωδίων

⚠ ΠΡΟΕΙΔΟΠΟΙΗΣΗ

ΠΡΙΝ ΞΕΚΙΝΗΣΕΤΕ ΟΠΟΙΑΔΗΠΟΤΕ ΗΛΕΚΤΡΟΝΙΚΗ ΚΑΙ ΗΛΕΚΤΡΟΛΟΓΙΚΗ ΔΙΕΡΓΑΣΙΑ, ΑΠΕΝΕΡΓΟΠΟΙΗΣΤΕ ΤΗ ΚΥΡΙΑ ΤΡΟΦΟΔΟΣΙΑ ΤΟΥ ΣΥΣΤΗΜΑΤΟΣ.

1. Προετοιμάστε το καλώδιο για σύνδεση:

ΧΡΗΣΙΜΟΠΟΙΗΣΤΕ ΤΟ ΣΩΣΤΟ ΚΑΛΩΔΙΟ

Ανατρέξτε στην ενότητα Τύποι Καλωδίων για την επιλογή

ΕΠΙΛΟΓΗ ΚΑΤΑΛΛΗΛΗΣ ΔΙΑΣΤΑΣΗΣ ΚΑΛΩΔΙΟΥ

Το κατάλληλο μέγεθος του καλωδίου τροφοδοσίας, του καλωδίου σήματος, του καλωδίου ασφαλείας και του διακόπτη καθορίζεται από το μέγιστο ρεύμα που ενδείκνυται από τη συσκευή. Ανατρέξτε στο ταμπελάκι που βρίσκεται στον πίνακα, ώστε να επιλέξετε το σωστό μέγεθος καλωδίου, την ασφάλεια ή τον διακόπτη

- Χρησιμοποιώντας πένσα απογυμνώστε τα καλώδια στις δυο άκρες για 40cm (1.57in) ώστε να εκτεθούν τα εσωτερικά καλώδια
- Μονώστε τις άκρες των καλωδίων.
- Χρησιμοποιήστε σφιγκτήρα καλωδίου και σφίξτε τις συνδέσεις στις άκρες των καλωδίων.

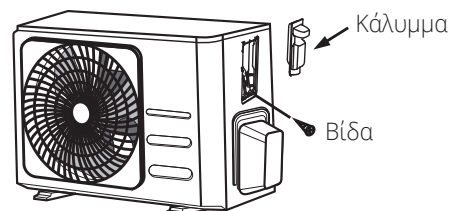
ΠΡΟΣΕΞΤΕ ΤΟ ΚΑΛΩΔΙΟ ΦΑΣΗΣ

Όταν πιέζετε τα καλώδια, βεβαιωθείτε ότι έχετε ξεκαθαρίσει το καλώδιο φάσης από τα υπόλοιπα καλώδια

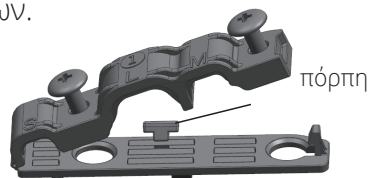
⚠ ΠΡΟΕΙΔΟΠΟΙΗΣΗ

ΟΛΕΣ ΟΙ ΚΑΛΩΔΙΩΣΕΙΣ ΘΑ ΠΡΕΠΕΙ ΝΑ ΑΚΟΛΟΥΘΟΥΝ ΑΥΣΤΗΡΑ ΤΟ ΔΙΑΓΡΑΜΜΑ ΚΑΛΩΔΙΩΣΕΩΝ ΠΟΥ ΒΡΙΣΚΕΤΑΙ ΜΕΣΑ ΣΤΟ ΚΑΛΥΜΜΑ ΚΑΛΩΔΙΩΝ ΤΗΣ ΕΞΩΤΕΡΙΚΗΣ ΜΟΝΑΔΑΣ.

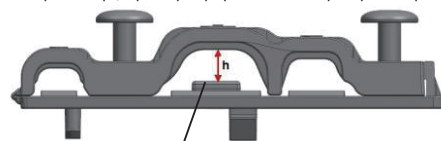
- Ξεβιδώστε το κάλυμμα ηλεκτρολογικού καλωδίου και απομακρύνετε το.
- Ξεβιδώστε τον σφιγκτήρα καλωδίων κάτω από το τερματικό και τοποθετήστε το στη πλαϊνή πλευρά.
- Ταιριάξτε τα χρώματα των καλωδίων/ ταμπελάκια με τα ταμπελάκια στο τερματικό και βιδώστε με ακρίβεια τις συνδέσεις κάθε καλωδίου στην αντίστοιχη υποδοχή
- Αφότου ελέγξετε για επιβεβαίωση ότι κάθε σύνδεση είναι ασφαλής, τυλίξτε τα καλώδια ώστε να αποφύγετε πτώση νερού μέσα στις υποδοχές.
- Χρησιμοποιώντας τον σφιγκτήρα καλωδίων, δέστε το καλώδιο στη μονάδα. Βιδώστε τον σφιγκτήρα κάτω γερά.
- Μονώστε τα αχρησιμοποίητα καλώδια με PVC ταινία. Ταξινομήστε τα έτσι ώστε να μην ακουμπούν τα ηλεκτρικά ή τα μεταλλικά μέρη.
- Τοποθετήστε το κάλυμμα καλωδίων στη πλευρά της μονάδας και βιδώστε το.



ΣΗΜΕΙΩΣΗ: Αν ο σφιγκτήρας καλωδίων είναι σαν τον εικονιζόμενο, επιλέξτε το κατάλληλο μέγεθος σύσφιξης σύμφωνα με την διάμετρο των καλωδίων.



Τρία μεγέθη σπής: μικρή, μεσαία, μεγάλη



Αν το καλώδιο δεν έχει συσφιξει αρκετά, χρησιμοποιήστε την πόρπη για να ανασηκωθεί και να υπάρξει καλύτερη σύσφιξη.

Σύνδεση αγωγού ψυκτικού μέσου

Κατά την σύνδεση των ψυκτικών αγωγών, μην επιτρέπετε σε ουσίες ή αέρια πλέον των προδιαγραμμένων να εισέλθουν στην μονάδα. Η παρουσία άλλων αερίων ή ουσιών θα μειώσει την απόδοση της μονάδας και μπορεί να προκαλέσει αφύσικα υψηλή πίεση στο εσωτερικό του ψυκτικού κύκλου. Μπορεί να προκληθεί έκρηξη και τραυματισμός.

Σημείωση στο Μήκος του Αγωγού

Το μήκος του αγωγού ψυκτικού μέσου θα επηρεάσει την λειτουργία και την ενεργειακή απόδοση της μονάδας. Η εικονική απόδοση είναι ελεγμένη στις μονάδες με μήκος αγωγού 5 μέτρων (16.5ft). Το ελάχιστο μήκος του αγωγού θα πρέπει να είναι 3 μέτρα ώστε να εξασφαλίζεται η αποτροπή κραδασμών και ο έντονος θόρυβος. Σε ειδικές περιπτώσεις, το μέγιστο μήκος του αγωγού του ψυκτικού υγρού δεν θα πρέπει να ξεπερνά τα 10 μέτρα (32.8ft) και η προσθήκη ψυκτικού ΔΕΝ επιτρέπεται (αναφορά στα μοντέλα με R290 ψυκτικό μέσο). Ανατρέξτε στο παρακάτω πίνακα για λεπτομέρειες σχετικά με το μέγιστο μήκος και υψομετρική διαφορά των σωληνώσεων

Μέγιστο Μήκος και Ύψος Αγωγού Ψυκτικού Μέσου για κάθε Μοντέλο Μονάδας

Μοντέλο	Απόδοση (BTU/h)	Μέγιστο Μήκος (m)	Μέγ.Υψομετρ. Διαφ. (m)
R410A,R32 Inverter Split Air Conditioner	< 15,000	25 (82ft)	10 (33ft)
	≥ 15,000 and < 24,000	30 (98.5ft)	20 (66ft)
	≥ 24,000 and < 36,000	50 (164ft)	25 (82ft)
R22 Fixed-speed Split Air Conditioner	< 18,000	10 (33ft)	5 (16ft)
	≥ 18,000 and < 21,000	15 (49ft)	8(26ft)
	≥ 21,000 and < 35,000	20 (66ft)	10(33ft)
R410A, R32 Fixed-speed Split Air Conditioner	< 18,000	20 (66ft)	8(26ft)
	≥ 18,000 and < 36,000	25 (82ft)	10(33ft)

Οδηγίες Σύνδεσης - Αγωγός Ψυκτικού Μέσου

Βήμα 1: Κόψτε τους αγωγούς

Όταν ετοιμάζετε τους αγωγούς ψυκτικού μέσου, δώστε παραπάνω προσοχή να τους κόψετε και να τους εκχειλώσετε σωστά. Αυτό θα σας εξασφαλίσει αποδοτική λειτουργία και μειώνει την ανάγκη για μελλοντική συντήρηση. **Για τα μοντέλα με R32/R290, τα σημεία σύνδεσης των αγωγών θα πρέπει να βρίσκονται εξωτερικά του δωματίου.**

1. Μετρήστε την απόσταση μεταξύ της εσωτερικής και εξωτερικής μονάδας
2. Χρησιμοποιώντας κοπτικό, κόψτε τον αγωγό λίγο παραπάνω από τη μετρημένη απόσταση.
3. Βεβαιωθείτε ότι ο αγωγός είναι κομμένος σε τέλεια γωνία 90°.



ΜΗΝ ΠΑΡΑΜΟΡΦΩΝΕΤΕ ΤΟΝ ΑΓΩΓΟ ΚΑΤΑ ΤΗ ΚΟΠΗ

Να είστε ιδιαίτερα προσεκτικοί να μην καταστρέψετε, λυγίσετε ή παραμορφώσετε τον αγωγό κατά τη διάρκεια κοπής. Αυτό μπορεί δραστικά να μειώσει την απόδοση θέρμανσης της μονάδας.

Βήμα 2: Απαλλαγείτε από τα γρέζια

Τα γρέζια μπορεί να επηρεάσουν την αεροστεγή σύνδεση του πώματος στον αγωγό ψυκτικού μέσου. Πρέπει να αφαιρεθούν τελείως.

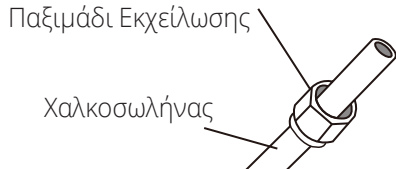
1. Κρατήστε τον αγωγό σε κατακόρυφη κλίση ώστε να αποφύγετε την εισχώρηση των γρεζιών στον αγωγό.
2. Χρησιμοποιώντας γλύφανο ή εργαλείο λείανσης, απομακρύνετε όλα τα γρέζια από το κομμένο τμήμα του αγωγού



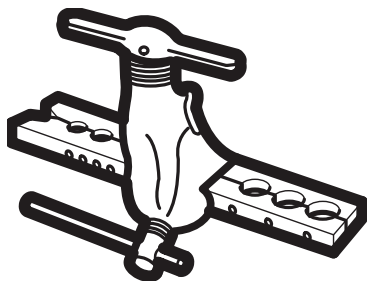
Βήμα 3: Εκχέλιωση των άκρων του αγωγού

Σωστή εκχέλιωση είναι απαραίτητη ώστε να πραγματοποιηθεί αεροστεγές κλείσιμο.

1. Αφότου αφαιρέσετε τα γρέζια από τον κομμένο αγωγό, καλύψτε τις άκρες με πλαστική ταινία ώστε να αποφύγετε την εισχώρησή τους στον αγωγό.
2. Τυλίξτε τον αγωγό με μονωτικό υλικό.
3. Τοποθετήστε παξιμάδια και στις δύο απολήξεις των αγωγών. Βεβαιωθείτε ότι έχουν τοποθετηθεί με τη σωστή κατεύθυνση καθώς δεν θα μπορείτε να τα συνδέσετε ή να τους αλλάξετε την κατεύθυνση μετά την εκχέλιωση.

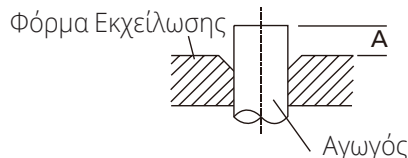


4. Αφαιρέστε τη πλαστική μονωτική ταινία από τις απολήξεις των αγωγών όταν είστε έτοιμοι να ξεκινήσετε τη διαδικασία καύσης.
5. Σχηματίζετε φλόγα στο άκρο του σωλήνα. Το άκρο του σωλήνα πρέπει να εκτείνεται πέρα της φλόγας σύμφωνα με τις διαστάσεις που φαίνονται στον παρακάτω πίνακα.



ΕΠΕΚΤΑΣΗ ΑΓΩΓΟΥ ΠΕΡΑΝ ΤΟΥ ΠΑΞΙΜΑΔΙΟΥ

Εξωτερική Διάμετρος Αγωγού (mm)	A (mm)	
	Ελάχιστη	Μέγιστη
Ø 6.35 (Ø 0.25")	0.7 (0.0275")	1.3 (0.05")
Ø 9.52 (Ø 0.375")	1.0 (0.04")	1.6 (0.063")
Ø 12.7 (Ø 0.5")	1.0 (0.04")	1.8 (0.07")
Ø 16 (Ø 0.63")	2.0 (0.078")	2.2 (0.086")
Ø 19 (Ø 0.75")	2.0 (0.078")	2.4 (0.094")



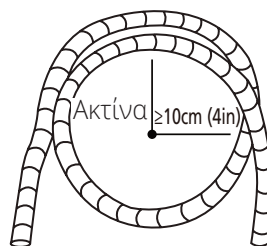
6. Τοποθετήστε το εργαλείο εκχέλιωσης μέσα στη φόρμα.
7. Γυρίστε το εργαλείο εκχέλιωσης με φορά ρολογιού, μέχρι να πραγματοποιηθεί η εκχέλιωση.
8. Αφαιρέστε το εργαλείο εκχέλιωσης και τη φόρμα αυτού, μετά εξετάστε τις άκρες του αγωγού για ραγίσματα και ανοίγματα.

Βήμα 4: Ενώστε τους αγωγούς

Όταν ενώνετε τους αγωγούς του ψυκτικού μέσου, προσέξτε να μην ασκήσετε υπερβολική ροπή ή να μην παραμορφώσετε τον αγωγό για οποιοδήποτε λόγο. Θα πρέπει αρχικά να συνδέσετε τον αγωγό χαμηλής πίεσης και μετά τον αγωγό υψηλής πίεσης

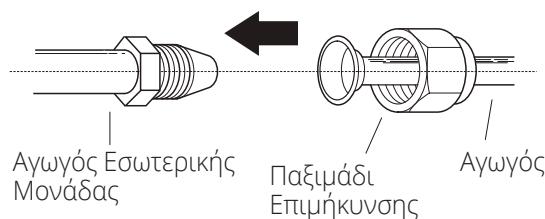
ΕΛΑΧΙΣΤΗ ΑΚΤΙΝΑ ΛΥΓΙΣΜΑΤΟΣ

Όταν λυγίζετε τον αγωγό σύνδεσης ψυκτικού μέσου, η ελάχιστη ακτίνα λυγίσματος είναι 10cm.

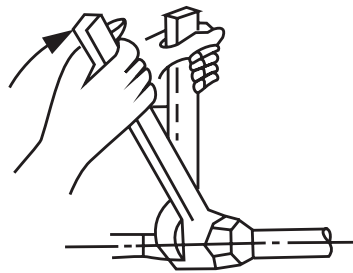


Οδηγίες για Σύνδεση του Αγωγού στην Εσωτερική Μονάδα

1. Ευθυγραμμίστε στο κέντρο τους δυο αγωγούς που θέλετε να συνδέσετε.

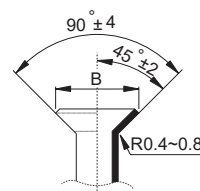


2. Σφίξτε το παξιμάδι επιμήκυνσης όσο σφιχτά μπορείτε με το χέρι.
3. Χρησιμοποιήστε γερμανικό κλειδί, σφίξτε το παξιμάδι επιμήκυνσης στον αγωγό της μονάδας.
4. Όταν σφίγγετε γερά το παξιμάδι στον αγωγό της μονάδας, χρησιμοποιήστε κλειδί στρέψης ώστε να σφίξετε τα παξιμάδια σύμφωνα με τις αρχές σύσφιξης των Προδιαγραφών Στρέψης όπως φαίνεται στον παρακάτω πίνακα. Χαλαρώστε ελαφρώς τα παξιμάδια, μετά σφίξτε ξανά



ΑΠΑΙΤΗΣΕΙΣ ΣΤΡΕΨΗΣ

Εξωτερική Διάμετρος Αγωγού (mm)	Ροπή Στρέψης (N/cm)	Επιπρόσθετη ροπή σύσφιξης (N/m)
Ø 6.35 (Ø 0.25")	18~20(180~200kgf.cm)	8.4~8.7 (0.33~0.34")
Ø 9.52 (Ø 0.375")	32~39(320~390kgf.cm)	13.2~13.5 (0.52~0.53")
Ø 12.7 (Ø 0.5")	49~59(490~590kgf.cm)	16.2~16.5 (0.64~0.65")
Ø 16 (Ø 0.63")	57~71(570~710kgf.cm)	19.2~19.7 (0.76~0.78")
Ø 19 (Ø 0.75")	67~101(670~1010kgf.cm)	23.2~23.7 (0.91~0.93")

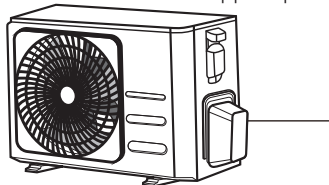


⊘ ΜΗΝ ΑΣΚΕΙΤΕ ΠΑΡΑΠΑΝΩ ΡΟΠΗ

Παραπάνω ροπή μπορεί να σπάσει το παξιμάδι ή να καταστρέψει τον αγωγό ψυκτικού μέσου. Πρέπει να μην ξεπερνάτε τις αρχές ροπής που φαίνονται στο παραπάνω πίνακα.

Οδηγίες Σύνδεσης Αγωγού στην Εξωτερική Μονάδα

1. Ξεβιδώστε το κάλυμμα από τη πλακέτα της εξωτερικής μονάδας.
Κάλυμμα βαλβίδας
2. Αφαιρέστε τα προστατευτικά πώματα από κάθε βαλβίδα.
3. Ευθυγραμμίστε τις άκρες των αγωγών με τις βαλβίδες και σφίξτε τα παξιμάδια επιμήκυνσης όσο πιο πολύ μπορείτε χειροκίνητα.
4. Χρησιμοποιώντας γερμανικό κλειδί, κρατήστε το σώμα της βαλβίδας. Μην κρατάτε το παξιμάδι που καλύπτει τη βαλβίδα

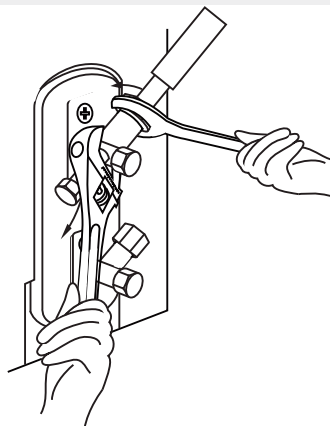


5. Ενώ κρατάτε το σώμα της βαλβίδας, χρησιμοποιήστε μηχανικό κλειδί ασφαλείας να σφίξετε το παξιμάδι σύμφωνα με της αρχές του μηχανικού κλειδιού.

6. Χαλαρώστε το παξιμάδι επιμήκυνσης ελαφρώς, μετά σφίξτε ξανά.
7. Επαναλάβετε τα Βήματα 3 έως 6 για τον αγωγό που έχει απομείνει.

⚠ ΧΡΗΣΙΜΟΠΟΙΗΣΤΕ ΓΕΡΜΑΝΙΚΟ ΚΛΕΙΔΙ ΓΙΑ ΝΑ ΚΡΑΤΗΣΤΕ ΤΟ ΣΩΜΑ ΤΗΣ ΒΑΛΒΙΔΑΣ

Η ροπή από την εκχείλωση μπορεί να προκαλέσει φθορά ή να κόψει τμήμα της βαλβίδας



Εξαέρωση

Προεργασία και Οδηγίες

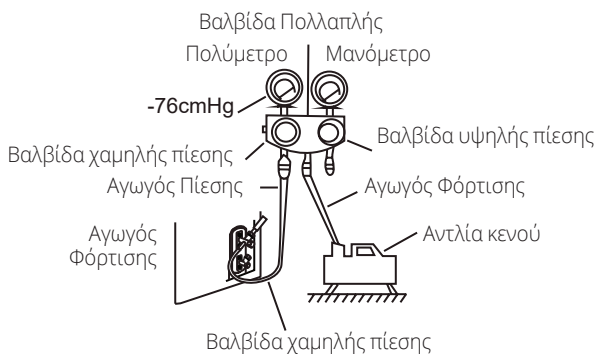
Αέρας και άλλα ξένα στοιχεία στο ψυκτικό κύκλο μπορεί να προκαλέσουν ασυνήθιστη αύξηση στη πίεση, το οποίο μπορεί να καταστρέψει το κλιματιστικό, να μειώσει την απόδοσή του και να προκαλέσει τραυματισμούς. Χρησιμοποιήστε αντλία κενού να εξαερώσετε το ψυκτικό κύκλο, αποβάλλοντας κάθε μη εύφλεκτο αέριο και υγρασία από το σύστημα.

Η εξαέρωση θα πρέπει να πραγματοποιείται κατά την αρχική εγκατάσταση και όταν η μονάδα μετακινείται σε άλλο μέρος.

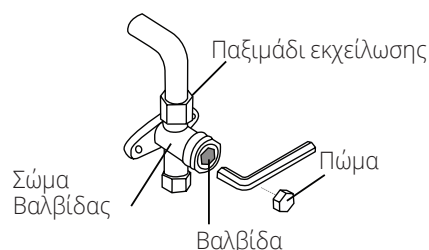
ΠΡΙΝ ΠΡΑΓΜΑΤΟΠΟΙΗΣΤΕ ΤΗΝ ΕΞΑΕΡΩΣΗ

- ☑ Ελέγξτε ότι και η υψηλή και η χαμηλή πίεση των αγωγών μεταξύ εσωτερικής και εξωτερικής μονάδας είναι συνδεδεμένες σε πλήρη συμφωνία με την ενότητα Σύνδεση Αγωγών Ψυκτικού Μέσου αυτού του εγχειριδίου.
- ☑ Ελέγξτε ότι όλες οι καλωδιώσεις είναι συνδεδεμένες σωστά.

1. Συνδέστε τον αγωγό φόρτισης της βαλβίδας πολλαπλής στο άκρο φόρτισης της βαλβίδας χαμηλής πίεσης της εξωτερικής μονάδας.
2. Συνδέστε τον αγωγό φόρτισης της βαλβίδας πολλαπλής στην αντλία κενού.
3. Ανοίξτε τη πλευρά Χαμηλής Πίεσης της πολλαπλής βαλβίδας. Κρατήστε τη πλευρά Υψηλής Πίεσης κλειστή.
4. Ενεργοποιήστε την αντλία κενού ώστε να εξαερώσετε το σύστημα.
5. Ενεργοποιήστε την αντλία κενού για τουλάχιστον 15 λεπτά ή έως ότου η ένωση των μετρήσεων δείξει -76cmHg (-105Pa).



6. Κλείστε τη πλευρά Χαμηλής Θέρμανσης της πολλαπλής βαλβίδας και απενεργοποιήστε την αντλία κενού.
7. Αναμείνετε για 5 λεπτά, μετά ελέγξτε ότι δεν υπάρχει αλλαγή στη πίεση του συστήματος.
8. Αν υπάρχει αλλαγή στη πίεση του συστήματος, ανατρέξτε στην ενότητα Έλεγχος Διαρροής Ψυκτικού Μέσου για πληροφορίες σχετικές με το πώς ελέγχουμε για τυχόν διαρροή. Αν δεν υπάρχει αλλαγή στη πίεση του συστήματος, ξεβιδώστε το πώμα από την βαλβίδα υψηλής πίεσης.
9. Βάλτε το εξάγωνο κλειδί στη βαλβίδα (υψηλής πίεσης) και ανοίξτε τη βαλβίδα γυρνώντας το κλειδί σε 1/4 περιστροφή δεικτών ρολογιού. Ακούστε το αέριο να αποβάλλεται από το σύστημα και μετά από 5 δευτερόλεπτα κλείστε τη βαλβίδα.
10. Παρατηρήστε το Μανόμετρο Πίεσης για ένα λεπτό να βεβαιωθείτε ότι δεν υπάρχει αλλαγή στη πίεση. Το μανόμετρο θα πρέπει να δείχνει τιμή ελάχιστα υψηλότερη της ατμοσφαιρικής πίεσης.
11. Αφαιρέστε τον αγωγό τροφοδοσίας από τη θύρα επισκευής.



12. Χρησιμοποιήστε εξάγωνο κλειδί και ανοίξτε τέρμα και τις δυο βαλβίδες υψηλής και χαμηλής πίεσης.
13. Σφίξτε και τις τρεις βαλβίδες (θύρα επισκευής, υψηλής πίεσης χαμηλής πίεσης) χειροκίνητα. Για παραπάνω σφίξιμο μπορείτε να χρησιμοποιήσετε μηχανικό κλειδί, αν χρειαστεί.

! ΑΝΟΙΞΤΕ ΠΡΟΣΕΚΤΙΚΑ ΤΙΣ ΒΑΛΒΙΔΕΣ

Όταν ανοίγετε τις βαλβίδες, γυρίστε το εξάγωνο κλειδί μέχρι να τερματίσει. Μην προσπαθήσετε να ασκήσετε παραπάνω δύναμη για περισσότερο άνοιγμα.


Σημείωση στη Προσθήκη Ψυκτικού Υγρού

Ορισμένα συστήματα προϋποθέτουν παραπάνω πρόσθεση ψυκτικού μέσου σύμφωνα με τα μήκη των αγωγών. Το κανονικό μήκος αγωγών ποικίλει σύμφωνα με τους τοπικούς κανονισμούς. Για παράδειγμα, στη Νότια Αμερική, το κανονικό μήκος αγωγού είναι 7.5m (25'). Σε άλλες περιοχές, το κανονικό μήκος είναι 5m (16'). Η προσθήκη του ψυκτικού υγρού θα πρέπει να πραγματοποιείται στη βαλβίδα χαμηλής πίεσης της εξωτερικής μονάδας. Η προσθήκη ψυκτικού μπορεί να υπολογιστεί ακολουθώντας την παρακάτω φόρμα

ΠΡΟΣΘΗΚΗ ΨΥΚΤΙΚΟΥ ΜΕΣΟΥ ΓΙΑ ΚΑΘΕ ΜΗΚΟΣ ΑΓΩΓΟΥ

Μήκος Αγωγού Σύνδεσης (m)	Μέθοδος Απομάκρυνσης	Προσθήκη Ψυκτικού Μέσου	
≤ Κανονικό μήκος αγωγού	Αέρα Αντλία κενού	N/A	
> Κανονικό μήκος αγωγού	Αντλία κενού	Γραμμή Ρευστού: Ø 6.35 (ø 0.25") R32: (Μήκος Αγωγού- Κανονικό μήκος) x 12g/m (Μήκος Αγωγού- Κανονικό μήκος) x 0.13oz/ft	Γραμμή Ρευστού: Ø 9.52 (ø 0.375") R32: (Μήκος Αγωγού- Κανονικό μήκος) x 24g/m (Μήκος Αγωγού- Κανονικό μήκος) x 0.26oz/ft
		R290: (Μήκος Αγωγού- Κανονικό μήκος) x 10g/m (Μήκος Αγωγού- Κανονικό μήκος) x 0.10oz/ft	R290: (Μήκος Αγωγού- Κανονικό μήκος) x 18g/m (Μήκος Αγωγού- Κανονικό μήκος) x 0.19oz/ft
		R410A: (Μήκος Αγωγού- Κανονικό μήκος) x 15g/m (Μήκος Αγωγού- Κανονικό μήκος) x 0.16oz/ft	R410A: (Μήκος Αγωγού- Κανονικό μήκος) x 30g/m (Μήκος Αγωγού- Κανονικό μήκος) x 0.32oz/ft
		R22: (Μήκος Αγωγού- Κανονικό μήκος) x 20g/m (Μήκος Αγωγού- Κανονικό μήκος) x 0.21oz/ft	R22: (Μήκος Αγωγού- Κανονικό μήκος) x 40g/m (Μήκος Αγωγού- Κανονικό μήκος) x 0.42oz/ft

Για μονάδες με R290 ψυκτικό υγρό, η μέγιστη ποσότητα επιπλέον ψυκτικού δεν μπορεί να είναι: 387g(<=9000Btu/h), 447g(>9000Btu/h και <=12000Btu/h), 547g(>12000Btu/h και <=18000Btu/h), 632g(>18000Btu/h και <=24000Btu/h).

 **ΠΡΟΣΟΧΗ: ΜΗΝ** αναμιγνύετε τύπους ψυκτικών μέσων

Έλεγχος Ηλεκτρολογικής Διαρροής και Διαρροής Αερίου

ΠΡΙΝ ΤΗΝ ΕΚΚΙΝΗΣΗ ΤΗΣ ΔΟΚΙΜΑΣΤΙΚΗΣ ΛΕΙΤΟΥΡΓΙΑΣ

Πραγματοποιήστε την δοκιμαστική παρακάτω μόνο αφού έχουν ολοκληρωθεί τα εξής:

- **Έλεγχος ηλεκτρολογικών διαρροών** - Επιβεβαιώστε ότι τα ηλεκτρικά συστήματα της μονάδας είναι ασφαλή και λειτουργούν κανονικά.
- **Έλεγχος διαρροών** - Ελέγξτε όλες τις ψυκτικές συνδέσεις για διαρροές και επιβεβαιώστε ότι δεν υπάρχει διαρροή
- Επιβεβαιώστε ότι οι βάνες υγρού και αερίου είναι πλήρως ανοιχτές

Έλεγχος Ηλεκτρολογικής Ασφάλειας

Μετά την εγκατάσταση, επιβεβαιώστε ότι όλες οι καλωδιώσεις είναι σύμφωνα με τους τοπικούς και διεθνείς κανονισμούς και σύμφωνα με το εγχειρίδιο εγκατάστασης.

ΠΡΙΝ ΤΗ ΔΟΚΙΜΑΣΤΙΚΗ ΛΕΙΤΟΥΡΓΙΑ

Ελέγξτε τη καλωδίωση της γείωσης Μετρήστε την αντίσταση της γείωσης με γυμνό μάτι και με ελεγκτή αντίστασης γείωσης. Θα πρέπει να είναι λιγότερο από 0.1 ohm

Σημείωση: Αυτό μπορεί να μην είναι προϋπόθεση για κάποιες περιοχές στην Αμερική.

ΚΑΤΑ ΤΗ ΔΙΑΡΚΕΙΑ ΔΟΚΙΜΑΣΤΙΚΗΣ ΛΕΙΤΟΥΡΓΙΑΣ

Έλεγχος για Ηλεκτρολογική Διαρροή

Κατά τη διάρκεια της Δοκιμαστικής Λειτουργίας, χρησιμοποιήστε δοκιμαστικό κατσαβίδι και πολύμετρο να πραγματοποιήσετε έλεγχο διαρροής ρευστού. Αν διαγνωσθεί ηλεκτρολογική διαρροή, απενεργοποιήστε τη μονάδα αμέσως και καλέστε εξουσιοδοτημένο ηλεκτρολόγο να βρείτε και να επιλύσετε τα αίτια της διαρροής.

Σημείωση: Αυτό μπορεί να μην χρειάζεται σε κάποιες περιοχές στην Αμερική.



ΠΡΟΕΙΔΟΠΟΙΗΣΗ- ΚΙΝΔΥΝΟΣ ΓΙΑ ΗΛΕΚΤΡΟΠΛΗΞΙΑ

ΟΛΕΣ ΟΙ ΚΑΛΩΔΙΩΣΕΙΣ ΠΡΕΠΕΙ ΝΑ ΕΙΝΑΙ ΣΕ ΠΛΗΡΗ ΣΥΜΦΩΝΙΑ ΜΕ ΤΟΥΣ ΤΟΠΙΚΟΥΣ ΚΑΙ ΕΘΝΙΚΟΥΣ ΗΛΕΚΤΡΟΛΟΓΙΚΟΥΣ ΚΑΝΟΝΙΣΜΟΥΣ ΚΑΙ ΘΑ ΠΡΕΠΕΙ ΝΑ ΕΓΚΑΤΑΣΤΑΘΟΥΝ ΑΠΟ ΕΞΟΥΣΙΟΔΟΤΗΜΕΝΟ ΗΛΕΚΤΡΟΛΟΓΟ

Έλεγχος Διαρροής Αερίου

Υπάρχουν δυο διαφορετικοί τρόποι να ελέγξετε για διαρροή ρευστού ή αερίου.

Μέθοδος με σαπούνι και νερό

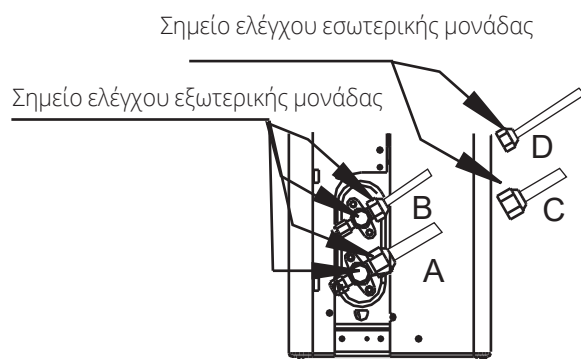
Χρησιμοποιήστε μαλακή βούρτσα, εφαρμόστε σαπουνοδιάλυμα ή ουδέτερο απορρυπαντικό σε όλα τα σημεία σύνδεσης των αγωγών στην εσωτερική και εξωτερική μονάδα. Αν εμφανιστούν φυσαλίδες σημαίνει ότι υπάρχει διαρροή.

Μέθοδος Ανίχνευσης Διαρροής

Αν χρησιμοποιείτε ελεγκτή διαρροής, ανατρέξτε στο εγχειρίδιο λειτουργίας του μηχανήματος για περισσότερες λεπτομέρειες χρήσης.

ΑΦΟΤΟΥ ΠΡΑΓΜΑΤΟΠΟΙΗΣΕΤΕ ΔΙΑΡΡΟΗ ΑΕΡΙΟΥ

Αφότου επιβεβαιώσετε ότι όλα τα σημεία σύνδεσης των αγωγών δεν παρουσιάζουν διαρροές, αντικαταστήστε το κάλυμμα βαλβίδας στην εξωτερική μονάδα



Σημείο ελέγχου εσωτερικής μονάδας

Σημείο ελέγχου εξωτερικής μονάδας

A: Βαλβίδα χαμηλής πίεσης
B: Βαλβίδα υψηλής πίεσης
C&D: παξιμάδια σωληνώσεων εσωτερικής μονάδας

ΔΟΚΙΜΑΣΤΙΚΗ ΛΕΙΤΟΥΡΓΙΑ

Οδηγίες Δοκιμαστικής Λειτουργίας

Θα πρέπει να πραγματοποιήσετε τη Δοκιμαστική Λειτουργία για τουλάχιστον 30 λεπτά.

1. Συνδέστε τη μονάδα στο ρεύμα.
2. Πατήστε το κουμπί ON/OFF στο τηλεχειριστήριο να το ενεργοποιήσετε.
3. Πατήστε το κουμπί MODE να περιηγηθείτε στις ακόλουθες λειτουργίες, μια τη φορά:
 - ΨΥΞΗ- Επιλέξτε τη χαμηλότερη δυνατή θερμοκρασία
 - ΘΕΡΜΑΝΣΗ- Επιλέξτε την υψηλότερη δυνατή θερμοκρασία
4. Αφήστε κάθε λειτουργία να πραγματοποιηθεί για 5 λεπτά και πραγματοποιήστε τους ακόλουθους ελέγχους:

Λίστα Πραγματοποίησης Ελέγχων	ΠΕΡΑΣΕ / ΑΠΕΤΥΧΕ	
Δεν υπάρχει ηλεκτρολογική διαρροή		
Η μονάδα είναι σταθερά εδραιωμένη		
Όλες οι ηλεκτρολογικές απολήξεις είναι σωστά καλυμμένες		
Η εσωτερική και εξωτερική μονάδα είναι σταθερά εγκατεστημένες.		
Όλα τα σημεία σύνδεσης του αγωγού δεν παρουσιάζουν διαρροές	(2):	(2):
Το νερό αποστραγγίζεται επαρκώς από τον αγωγό αποστράγγισης		
Όλοι οι αγωγοί είναι επαρκώς μονωμένοι		
Η μονάδα πραγματοποιεί την λειτουργία ΨΥΞΗΣ σωστά		
Η μονάδα πραγματοποιεί την λειτουργία ΘΕΡΜΑΝΣΗΣ σωστά		
Οι εσωτερικές περσίδες περιστρέφονται σωστά		
Η εσωτερική μονάδα ανταποκρίνεται στο τηλεχειριστήριο		

ΕΠΑΝΕΛΕΓΧΟΣ ΣΩΛΗΝΩΣΕΩΝ

Κατά την διάρκεια της λειτουργίας, η πίεση του ψυκτικού κυκλώματος θα αυξηθεί και να αναδείξει διαρροές που δεν ήταν εμφανείς κατά την διάρκεια των αρχικών ελέγχων. Θα χρειαστεί να γίνει επανέλεγχος κατά την διάρκεια της λειτουργίας για διαρροές. Ανατρέξτε στην ενότητα Μέθοδος Ανίχνευσης Διαρροής για οδηγίες.

5. Μετά την ολοκλήρωση της δοκιμαστικής λειτουργίας, και εφόσον έχετε επιβεβαιώσει όλα τα μέρη της λίστας ελέγχων ως ΠΕΡΑΣΕ, κάντε τα εξής:
 - α. Ρυθμίστε την μονάδα σε φυσιολογικές συνθήκες λειτουργίας από το τηλεχειριστήριο.
 - β. Μονώστε τις σωληνώσεις της εσωτερικής μονάδας που διατηρήθηκαν αμόνυτες για ελέγχους κατά την διάρκεια της εγκατάστασης με μονωτική ταινία.

ΑΝ Η ΘΕΡΜΟΚΡΑΣΙΑ ΠΕΡΙΒΑΛΛΟΝΤΟΣ ΕΙΝΑΙ ΜΙΚΡΟΤΕΡΗ ΤΩΝ 17°C (62°F)

Δεν μπορείτε να χρησιμοποιήσετε το τηλεχειριστήριο για να ενεργοποιήσετε την λειτουργία ΨΥΞΗΣ όταν η θερμοκρασία περιβάλλοντος είναι μικρότερη των 17°C. Στην περίπτωση αυτή μπορείτε να χρησιμοποιήσετε το πλήκτρο MANUAL CONTROL για να κάνετε την δοκιμαστική λειτουργία σε ΨΥΞΗ.

1. Το πλήκτρο MANUAL CONTROL βρίσκεται στην δεξιά μεριά του εσωτερικού του πάνελ του κλιματιστικού.
2. Πιέστε 2 φορές το πλήκτρο για να επιλέξετε την λειτουργία ΨΥΞΗΣ.
3. Πραγματοποιήστε την δοκιμαστική λειτουργία κανονικά.



πλήκτρο MANUAL CONTROL

Όλες οι εικόνες στο παρόν εγχειρίδιο εξυπηρετούν επεξηγηματικούς σκοπούς. Το προϊόν που προμηθευτήκατε μπορεί να εμφανίζει ορισμένες διαφορές ως προς το σχήμα, ωστόσο οι λειτουργίες και τα χαρακτηριστικά παραμένουν ίδια. Η εταιρεία δεν φέρει ευθύνη για τυχόν τυπογραφικά λάθη. Ο σχεδιασμός και οι προδιαγραφές του προϊόντος μπορεί να τροποποιηθούν χωρίς προηγούμενη ειδοποίηση με σκοπό τη βελτίωση των προϊόντων. Για λεπτομέρειες, απευθυνθείτε στον κατασκευαστή στο 211 300 3300 ή στον αντιπρόσωπο. Τυχόν ενημερώσεις του εγχειρίδιου θα αναρτηθούν στην ιστοσελίδα του κατασκευαστή, παρακαλούμε να ελέγξετε για την πιο πρόσφατη έκδοση.



Σαρώστε εδώ για να κατεβάσετε την τελευταία έκδοση του εγχειριδίου.
www.inventoraircondition.gr/media-library

Υποβολή Εγγύησης

Ακολουθήστε τα παρακάτω σύντομα βήματα για να ενεργοποιήσετε την εγγύησή σας:

ΒΗΜΑ 1

Επισκεφθείτε την ιστοσελίδα μας μέσω του παρακάτω συνδέσμου:

<https://www.inventoraircondition.gr/egiisi-inventor>

ή σκανάροντας τον ακόλουθο κωδικό QR:



ΒΗΜΑ 2

Συμπληρώστε όλα τα απαραίτητα πεδία όπως ζητούνται στα "Στοιχεία ιδιοκτήτη" και "Στοιχεία μηχανήματος":

Για να ενεργοποιήσετε την εγγύηση, παρακαλούμε συμπληρώστε τα παρακάτω πεδία:

Στοιχεία ιδιοκτήτη	Στοιχεία μηχανήματος
Όνομα	Τύπος
Διεύθυνση*	Σειριακός αριθμός μηχανήματος*

ΒΗΜΑ 3

Πατήστε το κουμπί ΑΠΟΣΤΟΛΗ, στο κάτω μέρος της φόρμας υποβολής:

Διεύθυνση email*

Να εγγραφώ στο newsletter της Inventor

ΑΠΟΣΤΟΛΗ ησης αποδέχεστε τους όρους και τις προϋποθέσεις.

Μολις ολοκληρωθεί η υποβολή της εγγύησης θα λάβετε την επιβεβαίωση κατοχύρωσης στο email σας

ΒΗΜΑ 4

Θα λάβετε σχετικό mail επιβεβαίωσης στη διεύθυνση email που έχετε δηλώσει. Παρακαλούμε ελέγξτε και τον φάκελο με τα Ανεπιθύμητα εισερχόμενα.

ΒΗΜΑ 5

Έχετε υποβάλει επιτυχώς την εγγύηση του προϊόντος Inventor!

Cuprins

Masuri de siguranta	4
----------------------------------	----------

Manualul utilizatorului

Specificatiile si caracteristicile unitatii	9
1. Afisajul unitati interioare.....	9
2. Temperatura de functionare	10
3. Alte caracteristici	11
4. Unghiul de setare a fluxului de aer.....	12
5. Operare manuala (fara telecomanda)	12
Ingrijire si intretinere	13
Depanare	15

Manualul de instalare

Accesorii.....	19
Rezumatul instalarii – Unitatea interioara	20
Partile unitatii	21
Instalarea unitatii interioare.....	22
1.Selectarea locatiei instalarii.....	22
2.Atasati placa de montare in perete.....	22
3.Efectuati gaura in perete pentru conectarea conductei.....	23
4.Pregatirea tevilor pentru agentul frigorific.....	24
5.Conectarea furtunului de scurgere.....	26
6.Conectarea cablului de semnal si al celui de alimentare.....	27
7.Infasurarea tevilor si a cablurilor.....	28
8.Montati unitatea interioara.....	29
Unitate unitatii exterioare	29
1.Selectati locatiei instalarii.....	29
2.Instalati canalul de scurgere.....	30
3.Fixarea unitatii exterioare.....	30
4.Conectarea cablului de semnal si al celui de alimentare.....	32
Conectarea tevilor de agent frigorific	33
A.Nota cu privire la lungimea tevilor.....	33
B.Instructiuni de conectare – tevi agent frigorific.....	33
1.Taierea tevii.....	33
2.Indepartati bavurile.....	34
3.Teava de flacara se termina.....	34
4.Conectarea tevilor.....	34
Evacuarea aerului	36
1. Instructiuni de evacuare.....	36
2. Nota privind adaugarea agentului frigorific.....	37
Verificari contra scurgerilor electrice si de gaze.....	38
Punerea in functiune	39

Masuri de siguranta

Cititi masurile de siguranta inainte de instalare si pornire aparat.

Instalarea incorecta din cauza ignorarii instructiunilor poate provoca daune grave sau accidentari. Gravitatea potentialelor daune sau raniri este clasificata fie ca AVERTIZARE, fie ca PRUDENTA.



AVERTIZARE

Acest simbol indica posibilitatea ranirii personalului sau pierderii vietii.



PRUDENTA

Acest simbol indica posibilitatea daunelor materiale sau a consecintelor grave.



AVERTIZARE

- Acest aparat poate fi utilizat de copiii cu varsta de peste 8 ani si de persoane cu capacitati fizice, senzoriale sau mentale reduse sau lipsite de experienta si cunostinte daca sunt supravegheate sau instruite privind utilizarea aparatului intr-un mod sigur si inteleg pericolele implicate. Copiii nu trebuie sa se joace cu aparatul. Curatarea si intretinerea utilizatorului nu trebuie sa fie realizate de copii fara supraveghere (Uniunea Europeana).
- Acest aparat nu este destinat utilizarii de catre persoane (inclusiv copii) cu capacitati fizice, senzoriale sau mentale reduse sau cu lipsa de experienta si cunostinte, cu exceptia cazului in care au fost supravegheati sau instruiti privind utilizarea aparatului de catre o persoana responsabila pentru siguranta acestora. Copiii trebuie supravegheati pentru a se asigura ca nu se joaca cu aparatul.



AVERTISMENTE PENTRU UTILIZAREA PRODUSULUI

- Daca apare o situatie anormala (de ex: miros de ars), opriti imediat aparatul si deconectati-l de la priza. Sunati la dealerul dvs. autorizat pentru instructiuni, pentru a evita electrocutarea, incendiul sau ranirea.
- NU introduceti degetele, tijele sau alte obiecte in intrarea sau iesirea aerului. Acest lucru poate provoca raniri, deoarece ventilatorul se poate roti la viteze mari.
- NU utilizati spray-uri inflamabile, cum ar fi spray de par, lac sau vopsea langa unitate. Acest lucru poate cauza foc sau combustie.
- NU operati aparatul de aer conditionat in locuri apropiate sau in jurul gazelor combustibile. Gazul emis poate fi acumulat in jurul unitatii si provoca explozie.
- NU folositi aparatul de aer conditionat intr-o camera umeda, cum ar fi o baie sau o spalatorie. De asemenea, expunerea mare la apa poate provoca scurtcircuitarea componentelor electrice.
- NU va expuneti corpul direct la aer rece pentru o perioada lunga de timp.
- NU permiteti copiilor sa se joace cu aparatul de aer conditionat. Copiii trebuie supravegheati cand se afla in preajma aparatului..
- Daca aparatul de aer conditionat este utilizat impreuna cu arzatoare sau alte dispozitive de incalzire, ventilati bine camera pentru a evita deficitul de oxigen.
- In anumite medii functionale, cum ar fi bucatarii, camere de servere etc., este recomandata utilizarea unitatilor speciale de aer conditionat.

AVERTISMENTE DE CURATARE SI INTRETINERE

- Opriti dispozitivul si deconectati alimentarea inainte de curatare.
- Nerespectarea acestui lucru poate cauza electrocutare.
- NU curatati aparatul de aer conditionat cu cantitati excesive de apa.
- NU curatati aparatul de aer conditionat cu agenti de curatare combustibili. Agentii de curatare combustibili pot provoca incendii sau deformari ale unitatii.

PRUDENTA

- Opriti aparatul de aer conditionat si deconectati alimentarea daca nu il veti folosi mult timp.
- Opriti si deconectati unitatea in timpul furtunilor.
- Asigurati-va ca condensul de apa se poate scurge nestingherit din unitate.
- NU actionati aparatul de aer conditionat cu mainile umede. Acest lucru poate duce la electrocutare.
- NU utilizati dispozitivul in alt scop decat cel pentru care a fost produs.
- NU va urcati si NU asezati obiecte deasupra unitatii exterioare.
- NU lasati aparatul de aer conditionat sa functioneze perioade lungi de timp cu usile sau ferestrele deschise sau daca umiditatea este foarte mare.

AVERTISMENTE ELECTRICE

- Utilizati numai cablul de alimentare specificat. Daca cablul de alimentare este deteriorat, acesta trebuie inlocuit de producator, agentul de service sau persoane calificate in mod similar pentru a evita un pericol.
- Pastrati stecherul curat. Indepartati orice praf sau murdarie care se acumuleaza pe sau in jurul prizei. Prizele murdare pot provoca incendiu sau electrocutare.
- NU trageti cablul de alimentare pentru a deconecta unitatea. Tineti stecherul ferm si trageti-l din priza. Tragerea directa a cablului il poate deteriora, ceea ce poate duce la incendiu sau electrocutare.
- NU modificati lungimea cablului de alimentare sau utilizati un cablu prelungitor pentru a alimenta unitatea.
- NU impartiti priza electrica cu alte aparate. Alimentare necorespunzatoare sau insuficienta poate provoca incendiu sau electrocutare.
- Aparatul trebuie sa fie impamantat in mod corespunzator in momentul instalarii sau poate aparea riscul de a va electrocuta.
- Pentru toate lucrarile electrice, respectati toate standardele, reglementarile si folositi metodele de cablare locale si nationale conform Manualului de Instalare. Conectati bine cablurile si fixati-le in siguranta pentru a preveni fortele externe de la deteriorarea terminalului. Conexiunile electrice necorespunzatoare pot supraincalzi si provoca incendii si pot provoca, de asemenea, electrocutare. Toate conexiunile electrice trebuie realizate conform Conexiunii electrice conform diagramei situata pe panourile unitatilor interioare si exterioare.
- Toate cablurile trebuie sa fie aranjate corespunzator pentru a se asigura ca capacul tabloului de control se poate inchide corect. Daca capacul tabloului de control nu este inchis corect, poate duce la coroziune si poate cauza incalzirea, a lua foc sau a provoca socuri electrice.
- Daca conectati priza la cablarea fixa, un dispozitiv de deconectare tripolar care are distante de cel putin 3 mm in toti polii si are un curent de scurgere care poate depasi 10mA, curentul rezidual (RCD) cu un curent de functionare rezidual nominal care nu depaseste 30mA si deconectarea trebuie incorporata in cablajul fix in conformitate cu regulile de cablare.

NOTE CU PRIVIRE LA SPECIFICATIILE SIGURANTEI

Placa de circuit a aerului conditionat (PCB) este proiectata cu o siguranta pentru a oferi protectie la supracurent. Specificatiile sigurantei sunt tiparite pe placa de circuit, cum ar fi: T3.15AL / 250VAC, T5AL / 250VAC, T3.15A / 250VAC, T5A / 250VAC, T20A / 250VAC, T30A / 250VAC etc. NOTA: Pentru unitatile care utilizeaza agent frigorific R32 sau R290, poate fi utilizata doar siguranta ceramica rezistenta la explozii.

AVERTISMENTE PENTRU INSTALAREA PRODUSULUI

1. Instalarea trebuie efectuata de un dealer autorizat sau de un specialist. Instalarea defecta poate provoca scurgeri de apa, electrocutare sau incendiu.
2. Instalarea trebuie efectuata conform instructiunilor de instalare. Instalare necorespunzatoare poate provoca scurgeri de apa, electrocutare sau incendiu.
(In America de Nord, instalarea trebuie efectuata in conformitate cu cerintele NEC si CEC numai de catre personalul autorizat.)
3. Contactati un tehnician de service autorizat pentru repararea sau intretinerea acestei unitati. Acest aparat trebuie instalat in conformitate cu reglementarile nationale privind cablarea.
4. Utilizati doar accesoriile, piesele si piesele specificate incluse pentru instalare. Folosind piese non-standard, pot fi provocate scurgeri de apa, electrocutare, incendiu sau defectarea unitatii.
5. Instalati unitatea intr-o locatie ferma care sa poata sustine greutatea unitatii. Daca locatia aleasa nu poate suporta greutatea unitatii sau instalarea nu este realizata corect, unitatea poate cadea si poate provoca raniri grave sau daune.
6. Instalati conductele de scurgere conform instructiunilor din acest manual. Drenajul necorespunzator poate provoca daune cauzate de scurgerea apei in locuinta dumneavoastra.
7. Pentru unitatile care au un incalzitor electric auxiliar, nu instalati unitatea la mai putin de 1 metru (3 picioare) de orice materiale combustibile.
8. NU instalati unitatea intr-un loc care poate fi expus la scurgeri de gaze combustibile. Daca gazul se acumuleaza in jurul aparatului, acesta poate provoca incendii sau explozii.
9. Nu porniti alimentarea inainte de finalizarea tuturor lucrarilor.
10. Cand mutati sau mutati aparatul de aer conditionat, consultati tehnicieni de service cu experienta pentru deconectarea si reinstalarea unitatii.
11. Cum se instaleaza aparatul la suportul sau, va rugam sa cititi informatiile pentru detalii in sectiunile „Instalarea unitatii interioare” si „Instalarea unitatii exterioare”.

Nota despre gaze fluorurate (nu se aplica unitatii care utilizeaza agent frigorific R290)

1. Aceasta unitate de aer conditionat contine gaze fluorurate cu efect de sera. Pentru informatii specifice despre tipul de gaz si cantitate, va rugam sa consultati eticheta relevanta de pe unitate sau din „Manual de utilizare - Fisa produs” din ambalajul unitatii exterioare. (Numai pentru produsele vandute in Uniunea Europeana).
2. Instalarea, mentenanta, intretinerea si repararea acestei unitati trebuie efectuate de un tehnician autorizat.
3. Dezinstalarea si reciclarea produsului trebuie efectuate de un tehnician autorizat.
4. Pentru echipamentele care contin gaze fluorurate cu efect de sera in cantitati de 5 tone de CO₂ echivalent sau mai mult, dar de mai putin de 50 de tone de CO₂ echivalent, daca sistemul are un sistem de detectare a scurgerilor instalat, acesta trebuie verificat pentru scurgeri cel putin o data la 24 de luni .
5. Cand unitatea este verificata pentru scurgeri, se recomanda pastrarea corecta a tuturor verificarilor.

Lampa UV-C






Acest aparat contine o lampa UV-C. Cititi instructiunile de intretinere inainte de a folosi aparatul.

1. Nu folositi lampa UV-C in exteriorul aparatului.
2. Aparatele care sunt evident deteriorate nu trebuie utilizate.
3. Utilizarea nejustificata a aparatului sau deteriorarea carcasei poate duce la emiterea radiatiilor periculoase UV-C. Radiatiile UV-C pot provoca, chiar si in doze mici, vatarea ochilor si a pielii.
4. Inainte de a folosi usile si panourile de acces ce poarta simbolul de pericol ULTRAVIOLET RADIATION pentru INTRETINEREA UTILIZATORULUI, se recomanda a se deconecta alimentarea cu energie electrica.
5. Lampa UV-C nu poate fi curatata, reparata sau inlocuita.
6. BARIERELE UV-C ce poarta simbolul RADIATIE ULTRAVIOLET nu trebuie sa fie indepartate..

AVERTISMENT

Acest aparat conține un emitor UV. Nu va uitati direct in sursa de lumina.

Explicarea simbolurilor afisate pe unitatile interioare/exteriorare (valabil doar pentru aparatele care folosesc agent frigorific R32/R290):

	AVERTIZARE	Acest simbol va subliniaza faptul ca aparatul utilizeaza agent frigorific inflamabil. In cazul unei scurgeri, poate aparea pericolul declansarii unui incendiu.
	ATENTIONARE	Acest simbol va atentioneaza ca manualul de utilizare trebuie citit cu atentie.
	ATENTIONARE	Acest simbol va atentioneaza asupra faptului ca personalul autorizat va trebui sa respecte cu strictete manualul de instalare.
	ATENTIONARE	
	ATENTIONARE	Acest simbol va atentioneaza ca informatiile necesare pot fi gasite in manualul de utilizare sau manualul de instalare.

⚠️ AVERTISMENT pentru utilizarea agentului frigorific R32 / R290

Cand se foloseste agent frigorific inflamabil, aparatul trebuie depozitat intr-o zona bine ventilata, unde dimensiunea camerei corespunde zonei camerei, ca specificatie pentru functionare.

Pentru modelele cu agent frigorific de tip R32:

Aparatul trebuie instalat, operat si depozitat intr-o camera cu o suprafata mai mare de 4m². Aparatul nu trebuie instalat intr-un spatiu neaerisit, daca spatiul respectiv este mai mic de 4m².

Pentru modelele cu agent frigorific R290, dimensiunea minima a camerei este necesara:

<= 9000Btu / h unitati: 13m²

> 9000Btu / h si <= 12000Btu / h unitati: 17m²

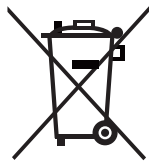
> 12000Btu / h si <= 18000Btu / h unitati: 26m²

> 18000Btu / h si <= 24000Btu / h unitati: 35m²

- Conectorii mecanici refolosibili si imbinarile evazate nu sunt permise in interior. (Cerinte standard EN).
- Conectorii mecanici utilizati in interior trebuie sa aiba o rata de cel mult 3g / an la 25% din presiunea maxima admisibila. Cand conectorii mecanici sunt reutilizati in interior, piesele de etansare trebuie reinnoite. Cand imbinarile evazate sunt refolosite in interior, partea evazata va fi refacuta. (Cerinte standard UL)
- Cand conectorii mecanici sunt reutilizati in interior, piesele de etansare trebuie reinnoite. Cand imbinarile evazate sunt refolosite in interior, partea evazata va fi refacuta.
- (Cerinte standard IEC)
- Conectorii mecanici utilizati in interior trebuie sa respecte ISO 14903.

Dispozitii europene privind eliminarea

Marcajul indicat pe produs sau in literatura de specialitate indica faptul ca deseurile de echipamente electrice si electrice nu trebuie amestecate cu deseurile menajere generale.



Eliminarea corecta a acestui produs (deseuri electrice & Echipament electronic)

Acest aparat contine agent frigorific si alte materiale potential periculoase. La eliminarea acestui aparat, legea impune colectarea si tratamentul special. Nu aruncati acest produs ca deseuri menajere sau deseuri municipale nesortate.

Cand aruncati acest aparat, aveti in vedere urmatoarele optiuni:

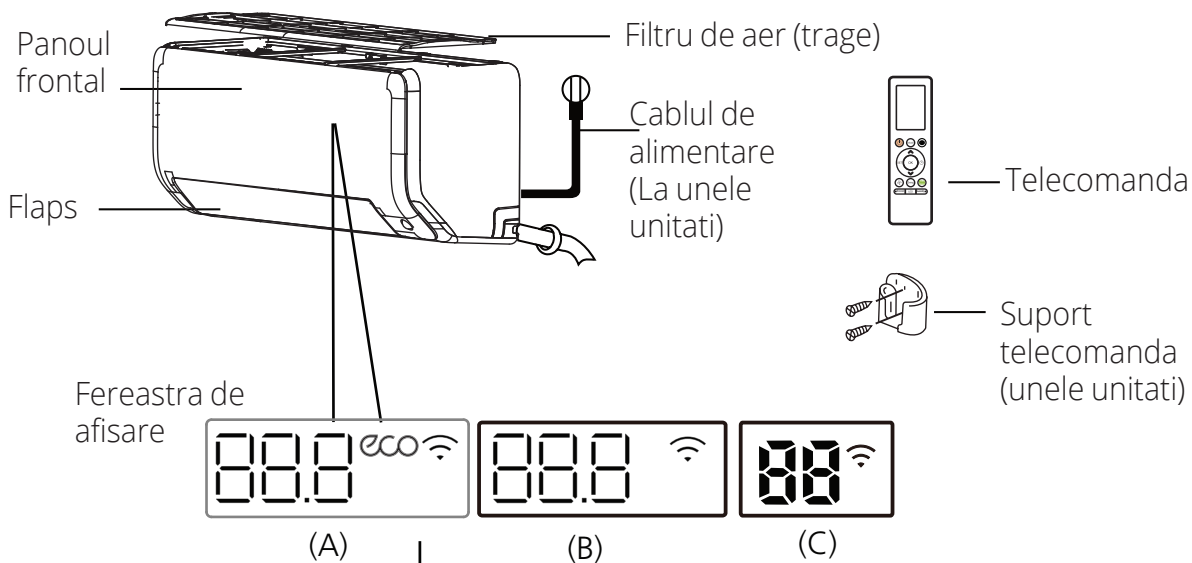
- Aruncati aparatul la punctul de colectare electronica a deseurilor.
- Atunci cand cumparati un aparat nou, comerciantul va prelua vechiul aparat gratuit.
- Producatorul va prelua vechiul aparat gratuit.
- Vindeti aparatul catre dealeri autorizati de fier vechi.

Notificare speciala

Aruncarea acestui aparat in padure sau in alte imprejurimi naturale va pune in pericol sanatatea si dauneaza mediului. Substantele periculoase se pot scurge in apa subterana si pot patrunde in panza freatica.

Specificatiile si caracteristicile unitatii

Afisajul unitatii interioare



«88.8» «88» Afiseaza temperatura, caracteristica de functionare si codurile de eroare:

«01» timp de 3 secunde cand:

- TIMER ON este setat (daca unitatea este OFF, «01» ramane activat cand TIMER ON este setat)

- Functia FRESH, UV-C, SWING, TURBO, ECO, BREEZE AWAY, sau SILENCE este activata

«0F» Timp de 3 secunde cand:

- TIMER OFF este setat

- Functia FRESH, UV-C, SWING, TURBO, ECO, BREEZE AWAY, sau SILENCE este dezactivata

«dF» La dezghetare (pentru unitatile de racire si incalzire)

«CL» Cand functia de curatare activa este activata (pentru tipul divizorului inverter) cand functia de autocuratare este activata (pentru tipul cu viteza fixa)

«FP» La 8° C (46 ° F) modul de incalzire este activat (unele unitati)

«eco» cand functia ECO este activata (la unele unitati)

«» Cand functia de control wireless este activata (la unele unitati)

Display Code Meanings

NOTA: Diferite modele au panou frontal si fereastra de afisare diferite. Nu toti indicatorii care descriu mai jos sunt disponibili pentru aparatul de aer conditionat pe care l-ati achizitionat. Va rugam sa verificati afisajul interior fereastra unitatii pe care ati achizitionat-o. Ilustratiile din acest manual sunt explicative. Forma reala a unitatii dvs. interioare poate fi usor diferita. Forma reala va prevala.

Temperatura de functionare

Cand aparatul de aer conditionat este utilizat in afara intervalelor de temperatura urmatoare, anumite functii de protectie de siguranta se pot activa si pot cauza dezactivarea aparatului.

	Modul COOL	Mod incalzire	Mod DRY
Temperatura camerei	17°C - 32°C (62°F - 90°F)	0°C - 30°C (32°F - 86°F)	10°C - 32°C (50°F - 90°F)
Temperatura exterioara	0°C - 50°C (32°F - 122°F)	-15°C - 24°C (5°F - 75°F)	0°C - 50°C (32°F - 122°F)
	-15°C - 50°C (5°F - 122°F) (Pentru modele cu sisteme de racire cu temperatura scazuta.)		
	0°C - 52°C (32°F - 126°F) (Pentru modele tropicale speciale)		0°C - 52°C (32°F - 126°F) (Pentru modele tropicale speciale)

PENTRU UNITATI EXTERIOARE CU INCALZITOR BASEPAN SAU INCALZITOR CARTER

Cand temperatura exterioara este sub 0°C (32°F), va recomandam sa pastrati unitatea conectata pentru a asigura o performanta continua lina.

NOTA: Umiditatea relativa a camerei este mai mica de 80%. Daca aparatul de aer conditionat functioneaza peste aceasta cifra, suprafata aparatului de aer conditionat poate atrage condensul. Va rugam sa setati jghebul vertical al debitului de aer la unghiul maxim (vertical fata de podea) si sa setati modul ventilator HIGH.

Pentru a optimiza in continuare performanta unitatii dvs., procedati in felul urmatoar:

- Pastrati usile si ferestrele inchise.
- Limitati consumul de energie utilizand functiile TIMER ON si TIMER OFF.
- Nu blocati intrarile sau iesirile de aer.
- Inspectati si curatati periodic filtrele de aer.

Un ghid privind utilizarea telecomenzii cu infrarosu nu este inclus in acest pachet de literatura. Nu toate functiile sunt disponibile pentru aparatul de aer conditionat, va rugam sa verificati afisajul interior si telecomanda unitatii pe care ati achizitionat-o.

Alte Caracteristici

• Repornire automata (la unele unitati)

Daca unitatea este deconectata de la energia electrica, va reporni automat la setarile anterioare, odata ce alimentarea a fost restaurata.

• Anti-mucegai (la unele unitati)

Cand opriti unitatea de la COOL, AUTO (COOL) sau moduri DRY, aparatul de aer conditionat va continua sa functioneze la o putere foarte mica pentru a usca apa condensata si pentru a preveni acumularea mucegaiului.

• Control wireless (la unele unitati)

Controlul prin wireless va permite sa va controlati aerul conditionat folosind telefonul mobil si o conexiune wireless.

Pentru accesul, inlocuirea dispozitivului USB, operatiunile de intretinere trebuie efectuate de personal profesionist.

• Memorie de unghi de tip Louver (la unele unitati)

Cand porniti unitatea, flapsul va fi reluat automat unghiul setat anterior.

• Functia de curatare activa (la unele unitati)

- Cu ajutorul tehnologiei "Active Clean" se curata praful, mucegaiul si grasimile care pot provoca mirosuri atunci cand adera la schimbatorul de caldura prin inghetarea automata si apoi dezghetarea rapida a inghetului. Se va auzi un sunet de forma unui „bip”.

Functia de curatare activa este utilizata pentru a produce mai multa apa condensata pentru a imbunatati efectul de curatare, iar aerul rece va sufla. Dupa curatare, roata de vant interna continua sa functioneze cu aer fierbinte pentru a usca evaporatorul, prevenind astfel cresterea mucegaiului si mentinand interiorul curat.

- Cand aceasta functie este activata, fereastra de afisare a unitatii interioare apare „CL”, dupa 20 pana la 45 de minute, unitatea se va opri automat si anulate functia "Active Clean".

• Breeze Away (la unele unitati)

Aceasta caracteristica evita fluxul direct de aer care sufla in directia corpului si poti simti rasfatat o racoare matasoasa.

• Detectarea scurgerilor de agent frigorific (la unele unitati) Unitatea interioara va afisa automat „ELOC” cand detecteaza scurgeri de agent frigorific.

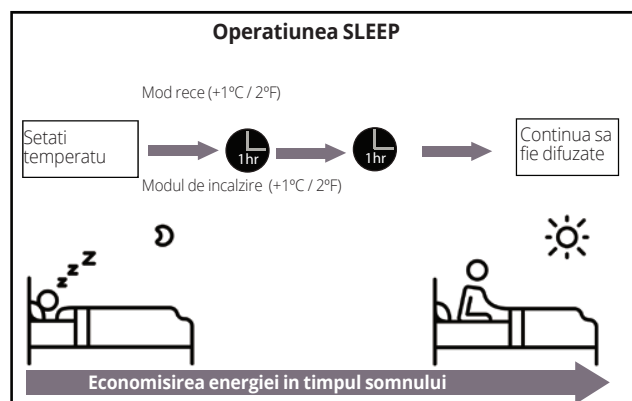
• Operatiunea Sleep

Functia "SLEEP" este utilizata pentru a scadea consumul de energie in timp ce dormi (si nu aveti nevoie de aceleasi setari de temperatura ca in timpul zilei). Aceasta functie poate doar sa fie activata prin telecomanda. Iar functia "Sleep" nu este disponibila in modul FAN sau DRY.

In modul "COOL", unitatea va creste temperatura cu 1°C (2°F) dupa 1 ora si va creste inca 1°C (2°F) dupa inca o ora.

In modul "HEAT", unitatea va scadea temperatura cu 1°C (2°F) dupa 1 ora si va scadea inca 1°C (2°F) dupa inca o ora.

Functia de somn se va opri dupa 8 ore si sistemul va continua sa ruleze la ultim a setare.



NOTA:

Pentru aparatele de aer conditionat multi-split, urmatoarele functii nu sunt disponibile: Functia de curatare activa, functia Silence, functia Breeze away, functia de detectare a scurgerilor de agent frigorific si caracteristica Eco.

• Setarea unghiului de debit de aer

Baleaj vertical al fluxului de aer

În timp ce unitatea este pornită, utilizați butonul "SWING" de pe telecomandă pentru a seta direcția (unghiul vertical) al fluxului de aer. Va rugăm să consultați "Manualul telecomenzii" pentru detalii.

OBSERVAȚIE PRIVIND UNGHIURILE FLAPSURILOR

Când utilizați modul "COOL" sau "DRY", nu setați flapsurile la un unghi prea vertical pentru perioade lungi de timp. Acest lucru poate provoca condensarea apei pe lama fanței, care va cădea pe podea sau pe mobilier. Când utilizați modul "COOL" sau "HEAT", setarea flapsurilor la un unghi prea vertical poate reduce performanța unității din cauza fluxului de aer restricționat.

Baleaj orizontal al fluxului de aer

Unghiul orizontal al fluxului de aer trebuie setat manual. Apucați tija deflectorului (a se vedea figura B) și reglați-l manual în direcția preferată. Pentru unele unități, unghiul orizontal al fluxului de aer poate fi setat prin telecomandă. Va rugăm să consultați "Manualul telecomenzii".

Operare manuală (fără telecomandă)

! PRUDENTĂ

Butonul manual este destinat numai testării și funcționării de urgență. Va rugăm să nu utilizați această funcție decât dacă telecomandă este pierdută și este absolut necesar. Pentru a restabili funcționarea regulată, utilizați telecomandă pentru a activa unitatea. Unitatea trebuie să fie oprită înainte de operarea manuală.

Pentru a opera unitatea manual:

1. Găsiți butonul MANUAL CONTROL activat panoul lateral din dreapta al aparatului.
2. Apasați butonul MANUAL CONTROL o dată pentru activarea modului AUTO FORTAT.

3. Apasați din nou butonul CONTROL MANUAL pentru a activa modul RĂCIRE FORTATĂ.
4. Apasați butonul MANUAL CONTROL o a treia dată pentru a opri unitatea.

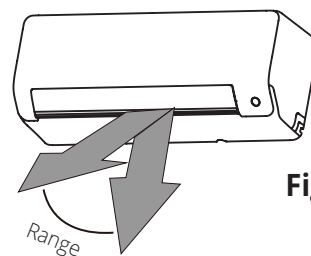


Fig. A

NOTA: Nu mișcați flapsurile cu mâna. Acest lucru va face ca fereastra să nu mai fie sincronizată. Dacă se întâmplă acest lucru, opriți unitatea și scoateți-o din priză timp de câteva secunde, apoi reporniți unitatea. Acest lucru va reseta flapsurile.

! PRUDENTĂ

Nu introduceți degetele în sau în apropierea suflantei și a părții de aspiratie a aparatului. Ventilatorul de mare viteză din interiorul aparatului poate provoca răni.

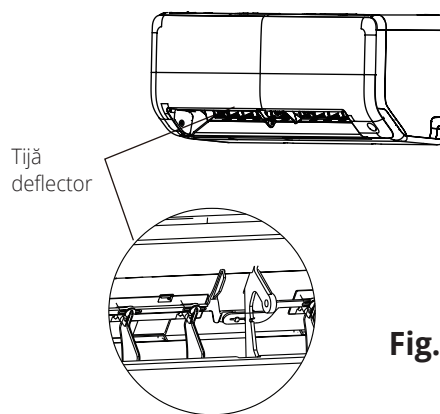


Fig. B

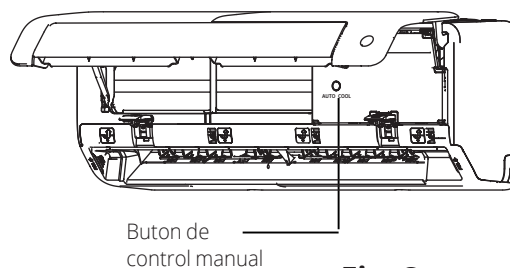


Fig. C

Ingrijire si intretinere

Curatarea unitatii interioare

⚠ ÎNAINTE DE CURĂȚARE SAU MENTENANȚĂ

OPRIȚI ÎNTOTDEAUNA SISTEMUL DE AER CONDIȚIONAT ȘI SCOATEȚI DIN PRIZĂ ÎNAINTE DE CURĂȚARE SAU MENTENANȚĂ.

⚠ ATENȚIONARE

Utilizați doar o cârpă moale și uscată pentru a șterge aparatul. Dacă aparatul este foarte murdar, puteți folosi o cârpă înmuiată în apă caldă pentru a-l șterge.

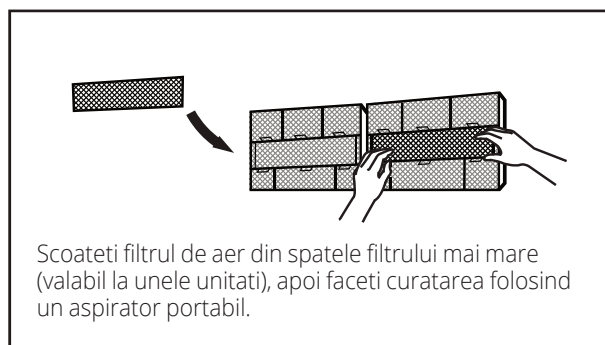
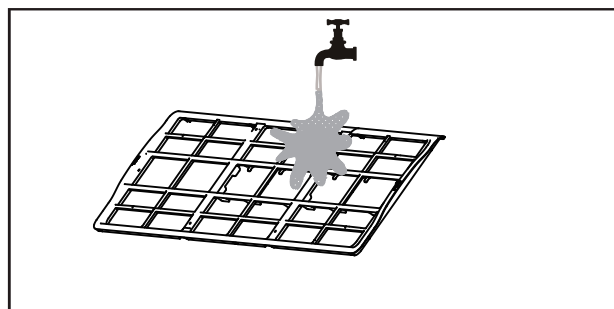
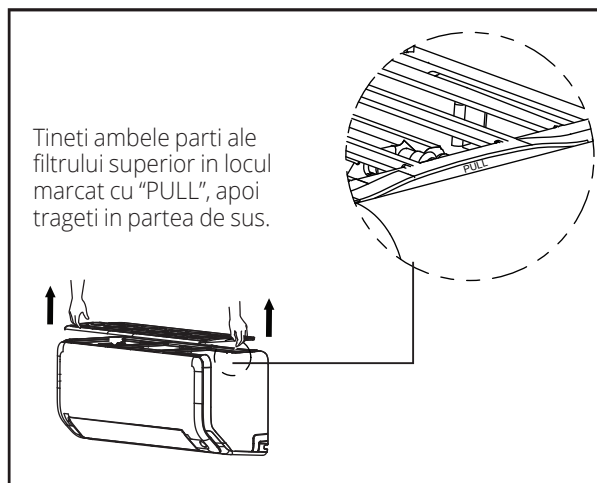
- Nu utilizați chimicale și cârpe tratate chimic pentru a curăța aparatul
- Nu utilizați benzen, diluant, praf de curățat sau alți solvenți pentru a curăța aparatul. Acest lucru poate duce la crăparea sau deformarea capacului de plastic.
- Nu folosiți apă mai caldă de 40°C (104°F) pentru a curăța panoul frontal. Acest lucru poate duce la deformarea panoului sau decolorarea acestuia.

Curatarea filtrului de aer

Un filtru de aer infundat poate reduce eficienta racirii aparatului dvs. sau poate face, de asemenea, ca fluxul de aer sa fie neregulat sau zgomotos, asa ca va rugam sa curatati filtrul de aer de cate ori este necesar.

1. Filtrul de aer se afla in partea superioara a aparatului de aer conditionat.
2. Tineti ambele parti ale filtrului superior in locul marcat cu „PULL”, apoi trageți-l in sus.
3. Daca filtrul dvs. are filtre mici de improspatare a aerului, scoateti-le din filtrul mai mare. Curatati aceste filtre de improspatare a aerului cu un aspirator manual.
4. Curatati filtrul mare de aer cu apa calda si sapun apa. Asigurati-va ca utilizati un detergent usor.

5. Clatiti filtrul cu apa proaspata, apoi agitati din excesul de apa.
6. Uscati-l intr-un loc racoros si uscat si evitati sa-l expuneti la lumina directa a soarelui.
7. Cand este uscat, fixati din nou filtrul de improspatare a aerului la filtrul mai mare, apoi instalati-l din nou pe unitatea interioara.



⚠ PRUDENTA

- Inainte de a schimba filtrul sau de a curata, opriti unitatea si deconectati-o de la curentul electric.
- Cand scoateti filtrul, nu atingeti piesele metalice din unitate. Marginile metalice ascutite pot taia.
- Nu folositi apa pentru a curata interiorul unitatii interioare. Acest lucru poate distruge izolatia si provoaca electrocutare.
- Nu expuneti filtrul la lumina directa a soarelui atunci cand uscare. Acest lucru poate micașora filtrul.

Memento-uri pentru filtrul de aer (optional)

Memento de curatare a filtrului de aer

Dupa 240 de ore de utilizare, fereastra afisajului de pe unitatea interioara va clipi „CL”. Acesta este un memento

Dupa 15 secunde, unitatea va reveni la afisajul anterior.

Pentru a reseta memento-ul, apasati butonul LED de pe telecomanda de 4 ori sau apasati tasta CONTROL MANUAL butonul de 3 ori. Daca nu resetati mementoul, indicatorul „CL” va clipi din nou cand reporniti unitatea.

Memento pentru inlocuirea filtrului de aer

Dupa 2.880 de ore de utilizare, fereastra afisajului de pe unitatea interioara va clipi „nF”. Acesta este un memento pentru a inlocui filtrul. Dupa 15 secunde, unitatea va reveni la afisajul anterior.

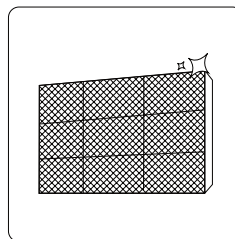
Pentru a reseta memento-ul, apasati butonul LED de pe telecomanda de 4 ori sau apasati butonul MANUAL CONTROL de 3 ori. Daca nu resetati mementoul, indicatorul „NF” va clipi din nou cand reporniti unitatea.

⚠ PRUDENTA

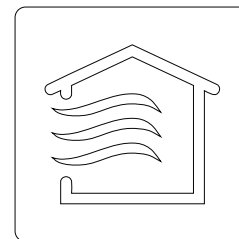
- Orice intretinere si curatare a exteriorului unitatea trebuie efectuata de catre un autorizat dealer sau un furnizor de servicii autorizat.
- Orice reparatii ale unitatii trebuie efectuate de un dealer autorizat sau de un autorizat furnizor de servicii.

Intretinere - Perioade lungi de neutilizare

Daca intentionati sa nu utilizati aparatul de aer conditionat pentru o perioada lunga de timp, faceti urmatoarele:



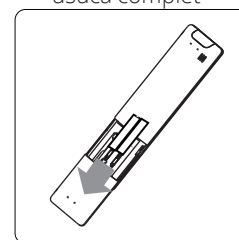
Curata tot filtre



Intoarce-te pe functia FAN pana cand unitatea se usuca complet



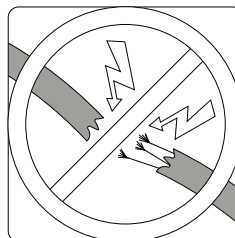
Opriti unitatea si deconectati alimentarea



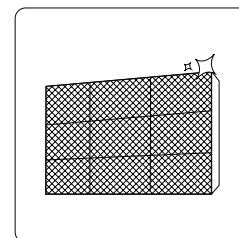
Scoateti bateriile din telecomanda

Intretinere - Inspectie pre-sezon

In cazurile de utilizare frecventa, faceti urmatoarele:



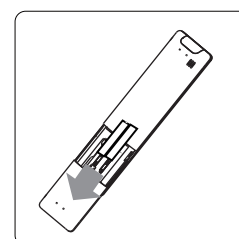
Verificati daca sunt deteriorate firele.



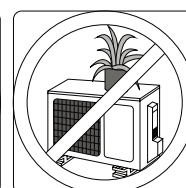
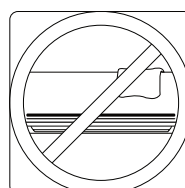
Curatati toate filtrele



Verificati de scurgeri



Inlocuiti bateriile



Asigurati-va ca nimic nu blocheaza intrarile si iesirile de aer

Depanare

MASURI DE SIGURANTA

Daca intalniti oricare dintre urmatoarele conditii, opriti imediat unitatea!

- Cablul de alimentare este deteriorat sau anormal de cald
- Simti miros de ars
- Unitatea emite sunete puternice sau anormale
- Se aprinde o siguranta sau intrerupatorul se declanseaza frecvent
- Apa sau alte obiecte cad in sau din unitate

NU incercati sa remediatii! CONTACTATI IMEDIAT UN FURNIZOR DE SERVICII AUTORIZAT!

Probleme comune

Urmatoarele probleme nu reprezinta o defectiune si, in majoritatea situatiilor, nu vor necesita reparatii.

Problema	Cauze posibile
Unitatea nu porneste cand apasati butonul ON / OFF	Unitatea are o caracteristica de protectie de 3 minute care impiedica supraincarcarea unitatii. Unitatea nu poate fi repornita in decurs de trei minute de la oprire.
Unitatea se schimba din modul COOL / HEAT in modul FAN	Unitatea poate schimba setarea pentru a preveni formarea inghetului pe unitate. Odata ce temperatura creste, unitatea va incepe din nou sa functioneze in modul selectat anterior.
	S-a atins temperatura setata, moment in care unitatea opreste compresorul. Unitatea va continua sa functioneze atunci cand temperatura fluctueaza din nou.
Unitatea interioara emite ceata alba	In regiunile umede, o diferenta mare de temperatura intre aerul camerei si aerul conditionat poate provoca ceata alba.
Atat unitatile interioare, cat si cele exterioare emit ceata alba	Cand unitatea reporneste in modul HEAT dupa dezghetare, se poate emite ceata alba din cauza umezelii generate de procesul de dezghetare.

Problema	Cauze posibile
Unitatea interioara produce zgomote	Un sunet de flux de aer poate aparea atunci cand flapsul isi reseteaza pozitia.
	Un sunet de scartait poate aparea dupa rularea unitatii in modul HEAT din cauza expansiunii si contractiei pieselor din plastic ale unitatii.
Atat unitatea interioara, cat si cea exterioara fac zgomote	Sunet de suierat scazut in timpul functionarii: Acest lucru este normal si este cauzat de gazul frigorific care circula atat prin unitatea interioara, cat si in cea exterioara.
	Sunet suierator scazut cand sistemul porneste, tocmai a incetat sa functioneze sau se decongeleaza: acest zgomot este normal si este cauzat de oprirea gazului de agent frigorific sau de schimbarea directiei.
	Sunet de scartait: Expansiunea si contractia normala a pieselor din plastic si metal cauzate de schimbarile de temperatura in timpul functionarii pot provoca zgomote.
Unitatea exterioara emite zgomote	Unitatea va scoate sunete diferite in functie de modul sau actual de functionare.
Praful este emis fie din interior, fie din interior unitate exterioara	Unitatea poate acumula praf in perioade indelungate de neutilizare, care vor fi emise la pornirea aparatului. Acest lucru poate fi atenuat prin acoperirea unitatii in perioade lungi de inactivitate.
Unitatea emite un miros urat	Unitatea poate absorbi mirosurile din mediu (cum ar fi mobilierul, gatitul, tigarile etc.) care vor fi emise in timpul operatiunilor.
	Filtrele aparatului au devenit mucegaite si ar trebui curatate.
Ventilatorul unitatii exterioare nu functioneaza	In timpul functionarii, viteza ventilatorului este controlata pentru a optimiza functionarea produsului.
Functionarea este neregulata, imprezibila sau unitatea nu raspunde	Interferentele de la turnurile de telefonie mobila si amplificatoarele de la distanta pot provoca defectiuni ale aparatului. In acest caz, incercati urmatoarele: <ul style="list-style-type: none"> • Deconectati alimentarea, apoi reconectati-va. • Apasati butonul ON / OFF de pe telecomanda pentru a reporni operatiunea.

NOTA: Daca problema persista, contactati un dealer local autorizat sau cel mai apropiat centru de service clienti. Oferiti-le o descriere detaliata a defectiunii unitatii, precum si numarul modelului

Depanare

Cand apar probleme, va rugam sa verificati urmatoarele puncte inainte de a contacta o companie de reparatii.

Problema	Cauze posibile	Solutie
Performante slaba la racire	Temperatura setata poate fi mai mare decat temperatura camerei	Reduceti setarea temperaturii
	Schimbatorul de caldura de pe unitatea interioara sau exterioara este murdar	Curatati schimbatorul de caldura afectat
	Filtrul de aer este murdar	Scoateti filtrul si curatati-l conform instructiunilor
	Intrarea sau iesirea de aer a oricarei unitati este blocata	Opriti unitatea, indepartati obstacolul si reporniti-l
	Usile si ferestrele sunt deschise	Asigurati-va ca toate usile si ferestrele sunt inchise in timpul functionarii unitatii
	Se genereaza caldura excesiva de lumina soarelui	Asigurati-va ca toate usile si ferestrele sunt inchise in timpul functionarii unitatii
	De asemenea multe surse de caldura in camera (oameni, computere, electronice etc.)	Reduceti cantitatea de surse de caldura
	Agent frigorific scazut datorita scurgerii sau utilizarii pe termen lung	Verificati scurgerile, re-sigilati daca este necesar si completati agentul frigorific
Funcția SILENCE este activata (functie optionala)	Funcția SILENCE poate reduce performanta produsului prin reducerea frecventei de operare. Dezactivati functia SILENTIU.	

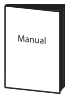


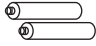







Problema	Cauze posibile	Solutie
Unitatea nu functioneaza	Pana de curent	Asteptati ca puterea sa fie restabilita
	Alimentarea este oprita	Porniti alimentarea
	Siguranta este arsa	Inlocuiti siguranta
	Bateriile de pe telecomanda sunt descarcate	Inlocuiti bateriile
	Protectia unitatii de 3 minute a fost activata	Asteptati trei minute dupa repornirea unitatii
	Temporizatorul este activat	Dezactivati temporizatorul
Unitatea porneste si se opreste frecvent	Exista prea mult sau prea putin agent frigorific in sistem	Verificati scurgerile si reincarcati sistemul cu agent frigorific.
	Gaz sau umezeala necompresibila a intrat in sistem.	Evacuati si reincarcati sistemul cu agent frigorific
	Compresorul este stricat.	Inlocuiti compresorul.
	Tensiunea este prea mare sau prea mica	Instalati un manostat pentru a regla tensiunea.
Performanta slaba de incalzire	Temperatura exterioara este extrem de scazut	Utilizati un dispozitiv auxiliar de incalzire
	Aerul rece patrunde prin usi si ferestre.	Asigurati-va ca toate usile si ferestrele sunt inchise in timpul utilizarii
	Agent frigorific scazut datorita scurgerii sau utilizarii pe termen lung.	Verificati daca exista scurgeri, re-sigilati daca este necesar si completeaza agentul frigorific.
Lampile indicatoare continua sa clipeasca	Unitatea poate opri functionarea sau poate continua sa functioneze in siguranta. Daca lampile indicatoare continua sa clipeasca sau apar codurile de eroare, asteptati aproximativ 10 minute. Problema se poate rezolva singura. Daca nu, deconectati alimentarea, apoi conectati-o din nou. Porniti unitatea. Daca problema persista, deconectati alimentarea si contactati cel mai apropiat centru de service clienti.	
Codul de eroare apare si incepe cu literele dupa cum urmeaza in fereastra unitatii interioare: E (x), P (x), F (x) EH (xx), EL (xx), EC (xx) PH (xx), PL (xx), PC (xx)		

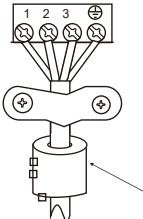
NOTA: Daca problema dvs. persista dupa efectuarea verificarilor si diagnosticelor de mai sus, opriti unitatea imediat si contactati un centru de service autorizat.

Accesorii

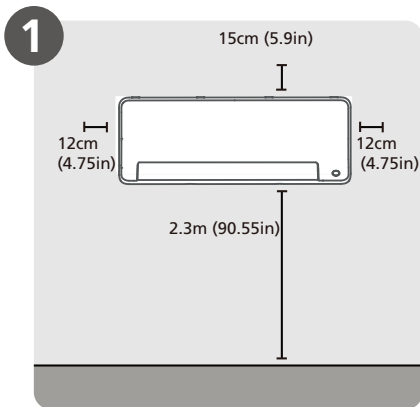
Sistemul de aer conditionat vine cu urmatoarele accesorii. Utilizati toate piesele si accesoriile de instalare pentru a instala aparatul de aer conditionat. O instalare necorespunzatoare poate duce la scurgeri de apa, soc electric si incendiu sau poate cauza defectarea echipamentului.

Articolele nu sunt incluse cu aparatul de aer conditionat, ci trebuie achizitionat separat.

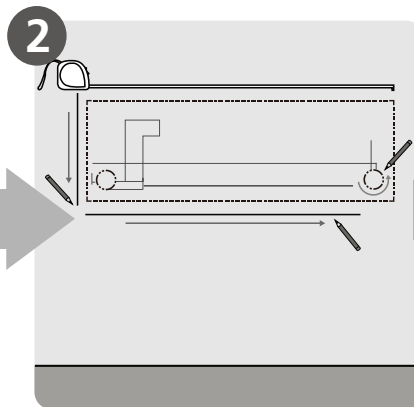
Denumirea accesoriilor	Q'ty (pc)	Forma	Denumirea accesoriilor	Q'ty (pc)	Forma
Manual	2-3		Telecomanda	1	
Articulatie de scurgere (pentru modele de racire si incalzire)	1		Baterie	2	
Sigiliu (pentru modele de racire si incalzire)	1		Suport telecomanda (optional)	1	
Placa de montare	1		Surub de fixare pentru suportul telecomenzii (optional)	2	
Ancora	5~8 (in functie de modele)		Filtru mic (Trebuie sa fie instalat pe spatele filtrului principal de aer de catre tehnicianul autorizat in timpul instalarii)	1~2 (in functie de modele)	
Surub de fixare a placii de montare	5~8 (in functie de modele)				

Nume	Forma	Cantitate (PC)	
Ansamblul conductei de conectare	Partea lichida	Piese pe care trebuie sa le achizitionati separat. Consultati distribuitorul despre dimensiunea corecta a conductei de unitatea pe care ati achizitionat-o.	
			Φ 6.35 (1/4in)
			Φ 9.52 (3/8in)
	Partea de gaz		Φ 9.52 (3/8in)
			Φ 12.7 (1/2in)
Φ 16 (5/8in)			
	Φ 19 (3/4in)		
Inel si curea magnetice (daca este furnizat, va rugam sa consultati schema de cablare pentru a o instala pe cablul de conectare.)	 <p>Treceti cureaua prin orificiul inelului magnetic pentru a o fixa pe cablu</p>	Variaza dupa model	

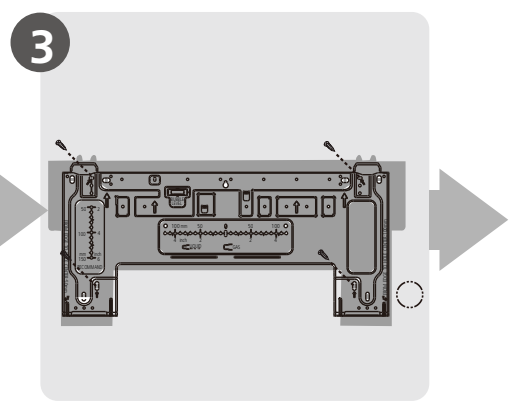
Rezumatul instalarii - Interior Unitate



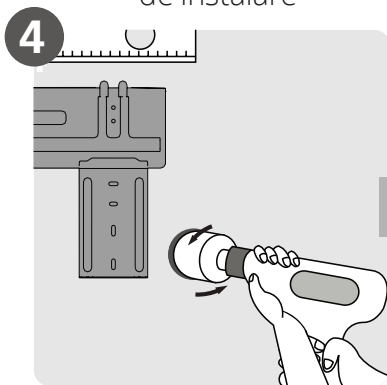
Selectati locatia de instalare



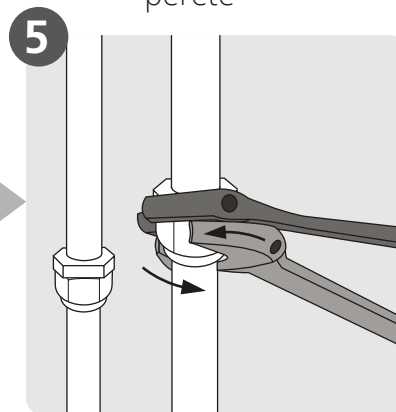
Determinati pozitia gaurii de perete



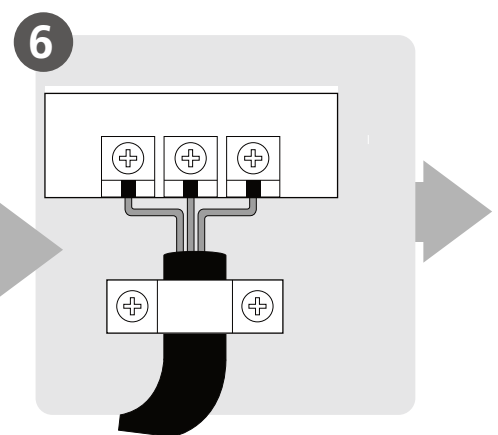
Atasati placa de montare



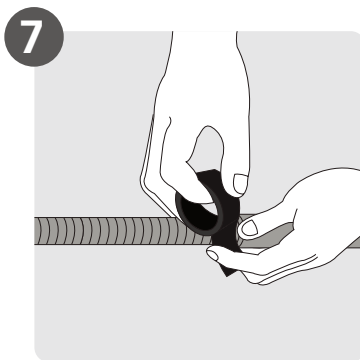
Gaura de perete



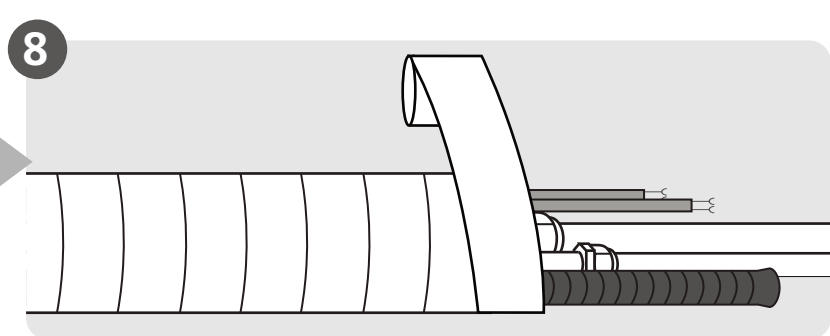
Conectati conductele



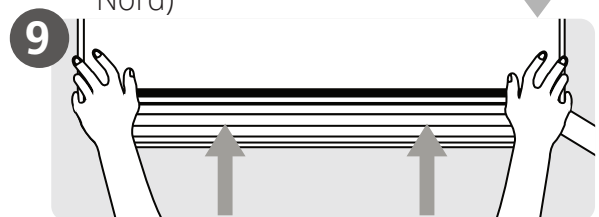
Conectati cablajul
(nu se aplica pentru unele locatii din America de Nord)



Pregatiti furtunul de scurgere



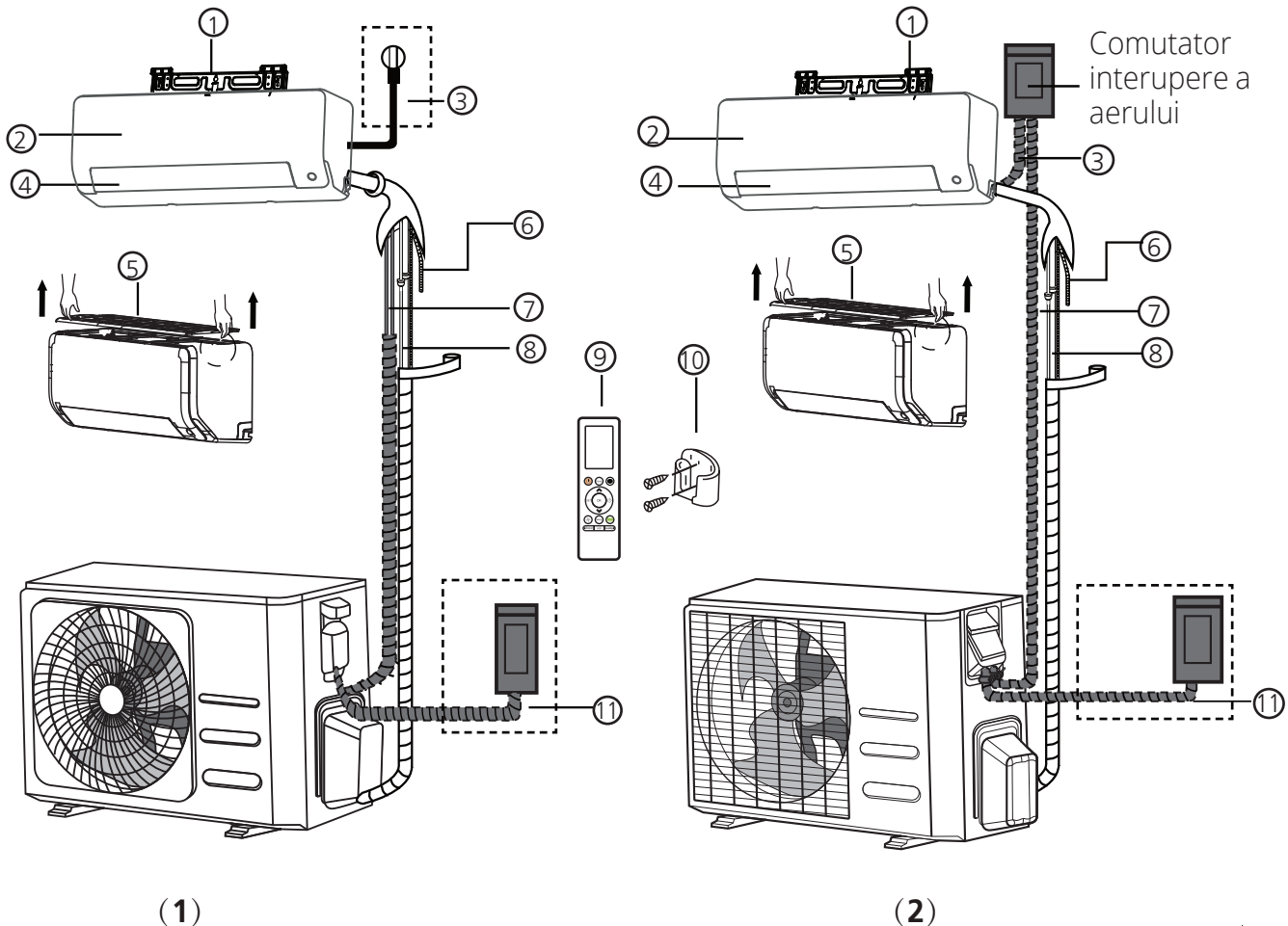
Inveliti conductele si cablul
(nu se aplica pentru unele locatii din America de Nord)



Montati unitatea interioara

Partile unitatii

NOTA: Instalarea trebuie efectuata in conformitate cu cerinta standardelor locale si nationale. Instalarea poate fi usor diferita in diferite zone.



- | | | |
|---------------------------------------|------------------------------------|--|
| ① Placa de montare pe | ⑤ Filtru de aer (scoateti-l afara) | ⑨ Telecomanda |
| ② Perete Panoul frontal | ⑥ Conducta de scurgere | ⑩ Suport telecomanda (Unele unitati) |
| ③ Cablu de alimentare (unele unitati) | ⑦ prin cablu de semnal | ⑪ Cablu de alimentare al unitatii exterioare (Unele unitati) |
| ④ Flapsuri | ⑧ Conducta de agent frigorific | |

NOTA PRIVIND ILUSTRATIILE

Ilustratiile din acest manual sunt explicative. Forma reala a unitatii dvs. interioare poate fi usor diferita. Forma reala va prevala

Instalarea unitatii interioare

Instructiuni de instalare - Unitatea interioara

INAINTE DE INSTALARE

Inainte de a instala unitatea interioara, consultati eticheta de pe cutia produsului pentru a va asigura ca numarul modelului unitatii interioare se potriveste cu numarul modelului unitatii exterioare.

Pasul 1: Selectarea locatiei de instalare

Inainte de a instala unitatea interioara, trebuie sa alegeti o locatie adecvata. Urmatoarele sunt standarde care va vor ajuta sa alegeti locatia adecvata pentru unitate.

Locatiile de instalare corespunzatoare indeplinesc urmatoarele standarde:

- Circulatie buna a aerului
- Drenaj convenabil
- Zgomotul aparatului nu va deranja alte persoane
- Sigur si solid - aparatul nu va vibra
- Suficient de puternic pentru a sustine greutatea unitatii
- O locatie la cel putin un metru de toate celelalte dispozitive electrice (de exemplu, TV, radio, computer)

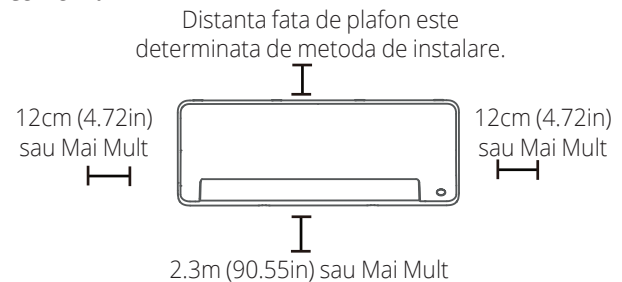
NU FACE instalati unitatea in urmatoarele locatii:

- ⊗ Langa orice sursa de caldura, abur sau gaz combustibil
- ⊗ In apropierea obiectelor inflamabile precum perdele sau imbracaminte
- ⊗ Langa orice obstacol care ar putea bloca circulatia aerului
- ⊗ Langa usa
- ⊗ Intr-o locatie supusa razelor solare directe

NOTA DESPRE GAURA DE PERETE::

Daca nu exista conducte fixe de agent frigorific: In timp ce alegeti o locatie, retineti ca ar trebui sa lasati un spatiu suficient pentru o gaura de perete (consultati Gaura de perete pentru pasul conductei conective) pentru cablul de semnal si conductele de agent frigorific care conecteaza unitatile interioare si exterioare. Pozitia implicita pentru toate conductele este partea dreapta a unitatii interioare (in timp ce este orientata spre unitate). Cu toate acestea, unitatea poate gazdui conducte atat la stanga cat si la dreapta.

Consultati urmatoarea diagrama pentru a va asigura distanta corecta de pereti si tavan:



NOTA:

• **Daca nu este nevoie de suportul din spate pentru a se sustine unitatea:**

Finalizarea conexiunilor de conducte si cabluri inainte de a monta unitatea interioara pe perete. Daca inaltimea instalatiei este limitata, la 5 cm de tavan este permisa, dar acest lucru poate reduce performanta produsului.

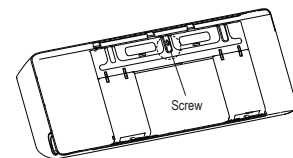
• **Pentru a asigura suficient**

spatiu pentru instalare si indepartare a filtrului de aer superior, pastrati cel puțin 10 cm sau mai mult de tavan. Aveti nevoie de suportul din spate pentru a sustine unitatea: daca conectati conducta si cablul cu panoul frontal deschis, distanta minima de tavan este de 22 cm sau mai mult, daca conectati conducta si cablul fara panoul frontal (scoateti-o), distanta minima de tavan este de 11 cm sau mai mult.

Pasul 2: Atasati placa de montare la perete

Placa de montare este dispozitivul pe care va aflati va monta unitatea interioara.

- Scoateti surubul care ataseaza montajul placa din spatele unitatii interioare.



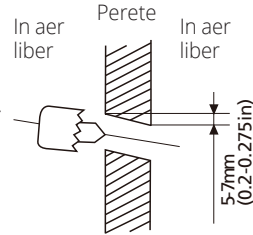
- Fixati placa de montare pe perete cu suruburile furnizate. Asigurati-va ca montareplaca este plata de perete.

NOTA PENTRU PERETELE DE BETON SAU CARAMIDA:

Daca peretele este realizat din caramida, beton sau material similar, gauriti peretele cu diametrul de 5 mm (0,2 inch) si introduceti ancorele mansonului furnizate. Apoi fixati placa de montare pe perete strangand suruburile direct in ancore.

Pasul 3: Efectuati gaura in perete pentru conectarea conductei

1. Determinati locatia orificiului pe perete pe pozitia placii de montare. Consultati la dimensiunile placii de montare.
2. Folosind un burghiu de 65 mm (2,5 inci) sau 90 mm (3,54 inci) (in functie de modele), gauriti o gaura in perete. Asigurati-va ca gaura este forata la un unghi usor descendent, astfel incat capatul exterior al gaurii sa fie mai mic decat capatul interior cu aproximativ 5 mm pana la 7 mm (0,2-0,275 in). Acest lucru va asigura corect drenarea apei.



NOTA: Cand conducta de legatura pe partea de gaz este $\Phi 16$ mm (5 / 8 in) sau mai mult, orificiul peretelui ar trebui sa fie de 90 mm (3,54 in)..

3. Asezati manseta de protectie in perete in gaura. Acest lucru protejeaza marginile gaurii si va ajuta sa sigilati-l la finalizarea procesului de instalare.

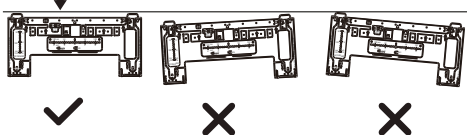
⚠ PRUDENTA

Cand gauriti orificiul peretelui, asigurati-va la evitati firele, instalatiile sanitare si alte componente sensibile.

DIMENSIUNI PLACA DE MONTAJ

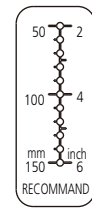
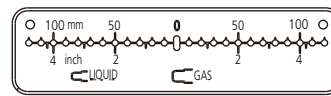
Diferite modele au placi de montaj diferite. Pentru confortul instalarii, pe placa de montare exista dimensiuni sculptate la nivel de bule. Va rugam sa instalati placa si gaurirea peretelui conform informatiilor placii de montare. Vezi figurile de mai jos.

Orientarea corecta a placii de montare



Unitate: mm (inch)

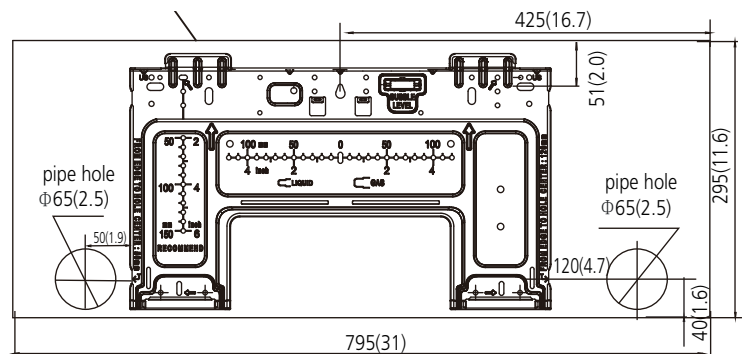
Rigla de directie orizontala



Directie verticala rigla

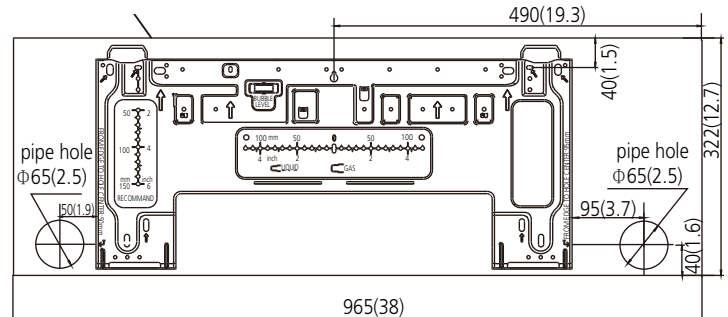
PRUDENTA: Nivelul Bubble de pe montaj placa nu poate fi indepartata. Daca este rupt, curatati lichidul care se scurge.

Schita unitatii interioare



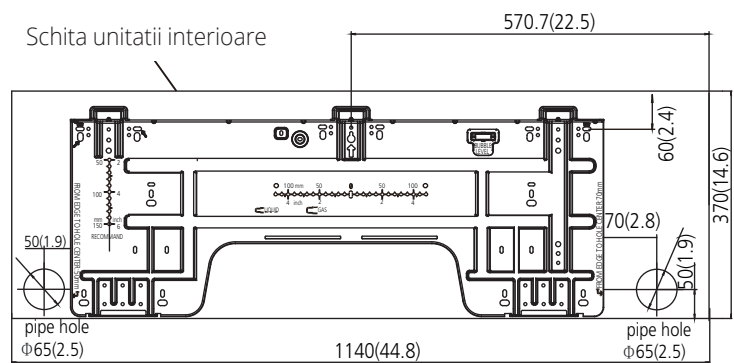
Modelul A

Schita unitatii interioare



Modelul B

Schita unitatii interioare



Modelul C

Pasul 4: Pregatirea tevilor pentru agent frigorific

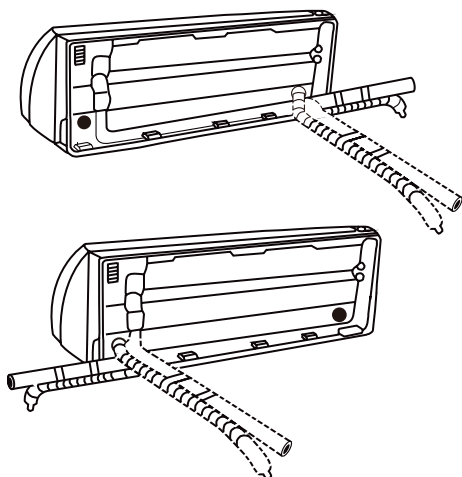
Conductele de agent frigorific se afla in interiorul unui manson izolator atasat la partea din spate a unitatii. Trebuie sa pregatiti conductele inainte de ao trece prin orificiul din perete. Consultati sectiunea Conexiune a conductelor de agent frigorific din acest manual pentru instructiuni detaliate despre evazarea tevilor si cerintele cuplului de evazare, tehnica etc.

NOTA privind unghiul conductei

Conductele de agent frigorific pot iesi din unitatea interioara din patru unghiuri diferite:

- Partea stanga
- Spate stanga
- Partea dreapta
- Dreapta spate

Consultati figurile de mai jos pentru detalii



NOTA PRIVIND CONEXIUNEA TEHNICII

- In unele locatii din SUA, un tub de conducta trebuie utilizat pentru a conecta cablul. Pentru a asigura un spatiu suficient pentru tevilor care ruleaza si masina este lipita de perete dupa instalare, se recomanda atasarea furtunului de scurgere la partea dreapta lateral (cand va confruntati cu partea din spate a unitatii).
- Cand alegeti partea stanga sau dreapta conducte laterale, va rugam sa va asigurati ca conductele iesiti orizontal pentru a nu afecta instalarea panoului inferior.

⚠ PRUDENTA

Aveti grija sa nu deteriorati conductele in timp ce le indoiti de unitate. Orice daune ale tevilor vor afecta performanta unitatii.

Daca conductele de agent frigorific sunt deja incorporate in perete, urmeaza

urmatoarele instructiuni:

Pasul 1: Conectati unitatea interioara pe suport

1. Retineti faptul ca carligele de pe placa de montaj sunt mai mici decat gaurile din spatele unitatii.

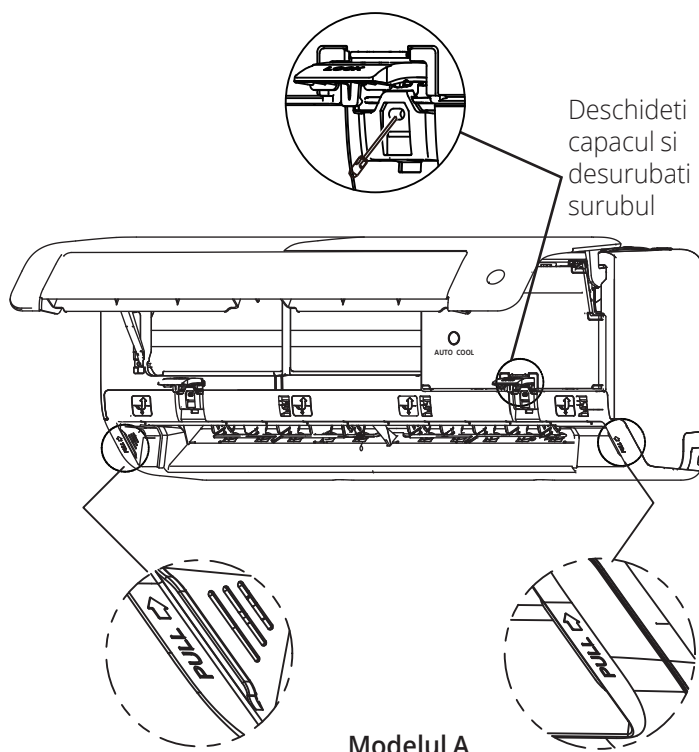
Daca descoperiti ca nu aveti suficient spatiu pentru conectarea tevilor incorporate la unitatea interioara, unitatea poate fi reglata la stanga sau la dreapta cu aproximativ 30-50 mm (1,18-1,95 in), in functie de model.



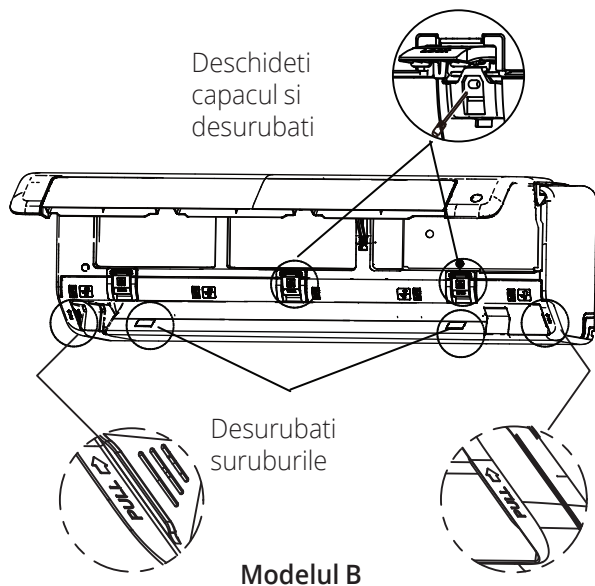
Deplasati-va la stanga sau la dreapta

Pasul 2: Pregatiti conductele de agent frigorific:

1. Deschideti si fixati pozitia panoului, apoi, deschideti capacele celor doua blocuri de blocare, desurubati surubul prezentat in imaginea de mai jos, apoi tineti ambele parti ale panoului inferior in locul marcat cu „PULL”, trageți-l in sus pentru a elibera cataramele, apoi luati panoul inferior in jos.

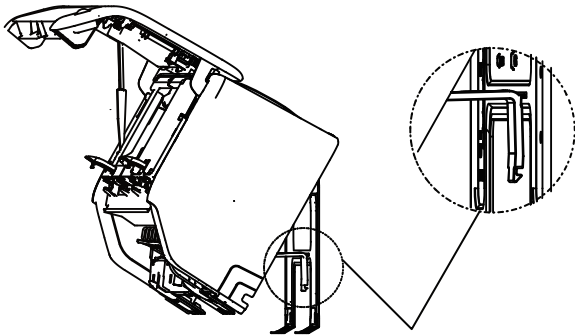


Modelul A



Modelul B

2. Utilizati suportul din spatele unitatii pentru a sustine unitatea, oferindu-va suficient spatiu pentru a conecta conductele agentului frigorific, cablul de semnal si furtunul de scurgere.



Utilizati suportul din spatele unitatii pe placa de montare pentru a sustine unitatea

Pasul 3. Conectati furtunul de scurgere si conductele de agent frigorific (consultati sectiunea Conexiunea conductelor de agent frigorific din acest manual pentru instructiuni).

Pasul 4. Pastrati punctul de conectare a conductei expus pentru a efectua testul de scurgere (consultati Verificari electrice si Verificari de scurgere din sectiunea acestui manual).

Pasul 5. Dupa testul de scurgere, infasurati conexiunea punct cu banda izolatoare.

Pasul 6. Indepartati suportul sau panoul care se sprijina cu banda izolatoare.

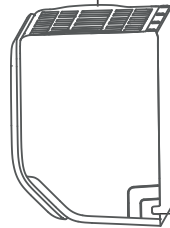
Pasul 7. Folosind o presiune uniforma, impingeti in jos pe jumatarea inferioara a unitatii. Continuati sa impingeti in jos pana cand unitatea se fixeaza pe carlige de-a lungul fundului placii de montare.

Daca nu exista conducte de agent frigorific incorporate in peretele, urmeaza urmatoarele instructiuni:

1. Pe baza pozitiei orificiului de perete fata de placa de montare, alegeti partea din care conductele vor iesi din unitate.

2. Daca orificiul de perete se afla in spatele unitatii, mentineti panoul de prindere in pozitie. Daca orificiul de perete se afla in partea laterala a unitatii interioare, indepartati panoul knock-out din plastic din acea parte a unitatii.

(Vezi figura de mai jos). Aceasta va crea un slot prin care conductele dvs. pot iesi din unitate. Utilizare cleste pentru nas daca panoul de plastic este prea dificil de indepartat manual.



Panou knock-out (taiati in functie de dimensiunea reala necesara)



Daca este necesar sa taiati panoul de plastic de dimensiuni mari, taiati asa cum se arata mai sus.

3. Utilizati foarfece pentru a reduce lungimea mansonului izolator pentru a dezvalui aproximativ 40 mm (1,57 in) a conductelor de agent frigorific.

Aceasta are doua scopuri:

- La faciliteaza procesul de conectare a conductelor de agent frigorific.

- La faciliteaza verificarea scurgerilor de gaz si activeaza sa verificati daca nu exista urme de urechi

4. Utilizati suportul din spatele unitatii pentru a sustine unitatea, oferindu-va suficient spatiu pentru a conecta conductele agentului frigorific, cablul de semnal si furtunul de scurgere.

5. Conectati conductele de agent frigorific ale unitatii interioare la conducta conectiva care va uni unitatile interioare si exterioare. Consultati sectiunea Conexiune a conductelor de agent frigorific din acest manual pentru instructiuni detaliate.

6. Pe baza pozitiei orificiului de perete fata de placa de montare, determinati unghiul necesar al conductei.

7. Apucati conductele de agent frigorific de la baza cotului.

8. Incet, cu o presiune uniforma, indoiti conductele spre gaura. Nu stricati sau deteriorati conductele in timpul procesului.

Pasul 5: Conectati furtunul de scurgere

In mod implicit, furtunul de scurgere este atasat la partea stanga a unitatii (cand va confruntati cu partea din spate a unitatii). Cu toate acestea, poate fi atasat si pe partea dreapta. Pentru a asigura un drenaj adecvat, atasati furtunul de scurgere pe aceeaasi parte cu careconducele de agent frigorific ies din unitate.

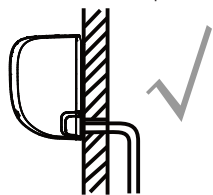
NOTA: In unele locatii din SUA, daca masina a instalat panoul conductei, va rugam sa alegeti drenajul din partea dreapta.

- Infasurati ferm punctul de conectare cu banda de teflon pentru a asigura o etansare buna si pentru a preveni scurgerile.
- Scoateti filtrul de aer si turnati o cantitate mica de apa in vasul de scurgere pentru a va asigura ca apa curge usor din unitate.

! NOTA PRIVIND PLASAREA FURTUNULUI DE SCURGERE

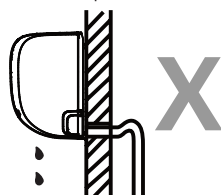
Asigurati-va ca aranjati furtunul de scurgere conform figurilor urmatoare.

- ⊗ NU indoiti furtunul de scurgere.
- ⊗ NU creati o acumulare de apa.
- ⊗ NU puneti capatul furtunului de scurgere in apa sau intr-un recipient care va colecta apa.



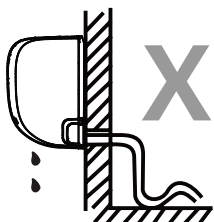
CORECT

Asigurati-va ca in furtunul de scurgere nu exista indoituri sau urme pentru a asigura un drenaj adecvat.



NU ESTE CORECT

Rasucirile din furtunul de scurgere vor crea capcane de apa.



NU ESTE CORECT

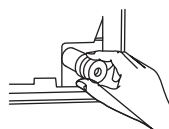
Rasucirile din furtunul de scurgere vor crea capcane de apa.



NU ESTE CORECT

Nu puneti capatul furtunului de scurgere in apa sau in recipiente care colecteaza apa. Acest lucru va preveni un drenaj inadecvat.

CONECTATI ORIFICIUL DE SCURGERE NEUTILIZAT



La pentru a preveni scurgerile nedorite, trebuie sa conectati orificiul de scurgere neutilizat cu dopul de cauciuc furnizat.

! INAINTE DE A REALIZA ORICE LUCRARE ELECTRICA, CITITI ACESTE REGULAMENTE

1. Toate cablurile trebuie sa fie conforme cu cerintele locale si nationale codurile electrice, reglementarile si trebuie instalate de un electrician autorizat.
2. Toate conexiunile electrice trebuie realizate in conformitate cu schema de conexiuni electrice situata pe panourile unitatilor interioare si exterioare.
3. Daca exista o problema grava de siguranta cu sursa de alimentare, opriti imediat lucrul. Explicati rationamentul dvs. clientului si refuzati sa instalati unitatea pana cand problema de siguranta nu este rezolvata corespunzator.
4. Tensiunea de alimentare trebuie sa fie cuprinsa intre 90-110% din tensiunea nominala. Alimentarea insuficienta poate provoca defectiuni, socuri electrice sau incendii.
5. Daca conectati alimentarea la cablurile fixe, ar trebui sa existe un protector de supratensiune si un intrerupator principal instalat.
6. Daca conectati alimentarea la cablajul fix, un intrerupator sau intrerupator care deconecteaza toti polii si are o separare de contact de cel putin 1 / 8in (3mm) trebuie incorporat in cablajul fix. Tehnicianul calificat trebuie sa utilizeze un intrerupator sau intrerupator aprobat.
7. Conectati unitatea doar la o ramura individuala iesire circuit. Nu conectati alt aparat la acea priza.
8. Asigurati-va ca ati impamantat corespunzator aparatul de aer conditionat.
9. Fiecare fir trebuie sa fie conectat ferm. Slabit cablarea poate provoca supraincalzirea terminalului, rezultand in defectiuni ale produsului si posibil incendiu.
10. Nu lasati firele sa se atinga sau sa se odihneasca impotriva agentului frigorific tubulatura, compresorul sau orice piese mobile din unitate.
11. Daca unitatea are un incalzitor electric auxiliar, trebuie sa fie sa fie instalat la cel putin 1 metru distanta de orice materiale combustibile.
12. Pentru a evita un soc electric, nu atingeti niciodata componentele electrice la scurt timp dupa ce alimentarea a fost oprita. Dupa oprirea alimentarii, asteptati intotdeauna 10 minute sau mai mult inainte de a atinge componentele electrice

⚠️ AVERTIZARE

INAINTE DE A REALIZA ORICE LUCRU ELECTRIC SAU DE CANTARE, OPRITI PUTEREA PRINCIPALA A SISTEMULUI.

Pasul 6: Conectati cablurile de semnal si de alimentare

Cablul de semnal permite comunicarea intre unitatile interioare si exterioare. Mai intai trebuie sa alegeti dimensiunea corecta a cablului inainte de a-l pregati pentru conectare.

Tipuri de cabluri

- **Cablu de alimentare interior** (daca este cazul): H05VV-F sau H05V2V2-F
- **Cablu de alimentare pentru exterior:** H07RN-F sau H05RN-F
- **Cablu de semnal:** H07RN-F

Zona minima transversala a cablurilor de alimentare si de semnal (pentru referinta) (nu se aplica pentru America de Nord)

Curent nominal al aparatului (A)	Suprafata nominala transversala (mm ²)
> 3 si ≤ 6	0.75
> 6 si ≤ 10	1
> 10 si ≤ 16	1.5
> 16 si ≤ 25	2.5
> 25 si ≤ 32	4
> 32 si ≤ 40	6

ALEGE DIMENSIUNEA CABLULUI

Dimensiunea necesara a cablului de alimentare, cablului de semnal, sigurantei si comutatorului este determinata de curentul maxim al unitatii. Curentul maxim este indicat pe placa de identificare situata pe panoul lateral al unitatii. Consultati aceasta placuta de identificare pentru a alege cablul, siguranta sau comutatorul potrivit.

NOTA: In America de Nord, va rugam sa alegeti dimensiunea corecta a cablului in conformitate cu Ampacitatea minima a circuitului indicata pe placuta de identificare a unitatii.

1. Deschideti si fixati pozitia panoului, apoi, deschideti capacele celor doua blocuri de blocare, desurubati surubul, apoi tineti ambele parti ale panoului inferior in locul marcat cu „PULL”, trageti-l in sus pentru a elibera cataramele, apoi luati panoul inferior in jos (va rugam sa consultati pagina 22-23).
2. Deschideti capacul cutiei de sarma pentru a

conecta cablul.

3. Desurubati clema cablului de sub terminal blocati-l si asezati-l lateral.

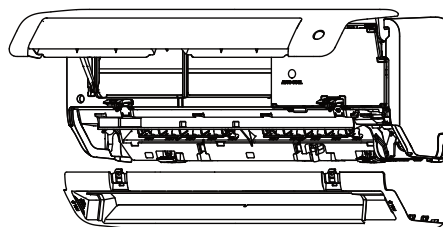
4. Cu fata catre partea din spate a unitatii, scoateti plasticul panoul din partea stanga jos.

⚠️ AVERTIZARE

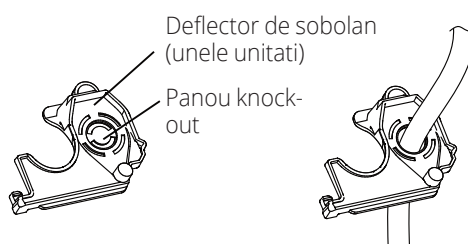
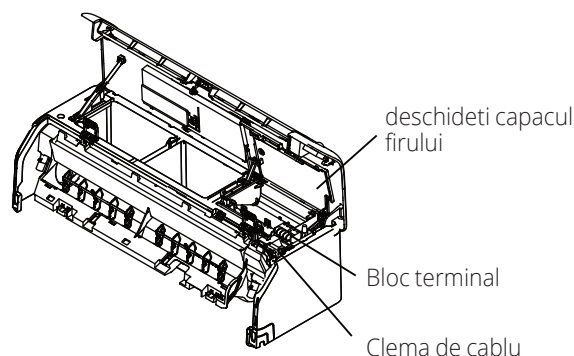
TOATE CABLURILE TREBUIE MONTATE STRICT IN CONFORMITATE CU DIAGRAMA DE CABLURI SITUATA PE SPATELE UNITATII INTERIOARE A PANOUL FRONTAL.

5. Introduceti firul de semnal prin acest slot, de la partea din spate a unitatii in fata.

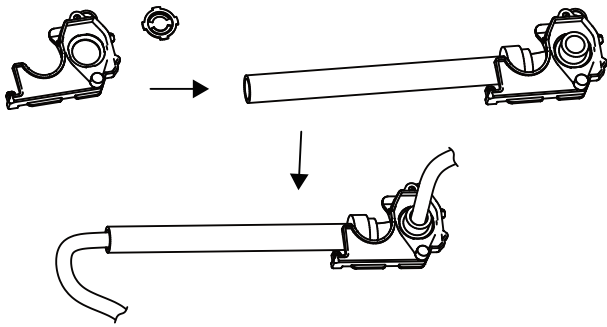
6. Cu fata catre partea din fata a unitatii, conectati firul conform schemei de cablare a unitatii interioare, conectati u-lug si insurubati ferm fiecare fir la terminalul corespunzator.



Mai intai deschideti panoul frontal, apoi scoateti panoul inferior.



NOTA: Daca dimensiunea cablului este prea mare, indepartati panoul mic din plastic knock-out pentru a crea un slot prin care sa poata iesi cablul. Daca doriti sa scoateti sasiul sau furtunul de scurgere, va rugam sa scoateti mai intai deflectorul pentru sobolani.



⚠ PRUDENTĂ

NU AMESTECA SIRURILE LIVE SI NUL

Acest lucru este periculos si poate provoca defectiuni ale aparatului de aer conditionat.

7. Dupa verificare, pentru a va asigura ca fiecare conexiune este sigura, utilizati clema pentru cablu pentru a fixa cablul de semnal la unitate. Insurubati bine clema de cablu.
8. Puneti la loc capacul de sarma din fata unitatii si panoul de plastic din spate

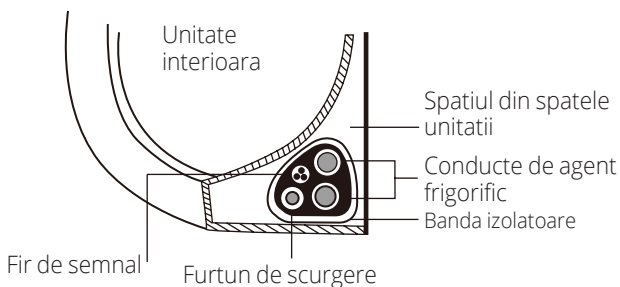
⚠ NOTA DESPRE Cablare

PROCESUL DE conexiune prin cablu se poate diferenta usor intre unitati si regiuni.

Pasul 7: Infasurare si cabluri

Inainte de a trece conductele, furtunul de scurgere si cablul de semnal prin orificiul de perete, trebuie sa le legati impreuna pentru a economisi spatiu, a le proteja si a le izola (acest lucru nu este valabil pentru unele locatii din SUA).

1. Impachetati furtunul de scurgere, conductele de agent frigorific si cablu de semnal asa cum se arata mai jos:



FURTUNUL DE SCURGERE TREBUIE SA FIE PE FUND

Asigurati-va ca furtunul de scurgere se afla in partea de jos a pachetului. Punerea furtunului de scurgere in partea de sus a fasciculului poate cauza vasul de scurgere la revarsare, ceea ce poate duce la incendii sau la deteriorarea apei.

NU IMPLETITI CABLUL DE SEMNALIZARE CU ALTE CABLURI

In timp ce grupati aceste articole impreuna, nu impletiti si nu traversati cablul de semnal cu niciunul alte cabluri.

2. Folosind banda adeziva de vinil, atasati furtunul de scurgere pe partea inferioara a conductelor de agent frigorific.
3. Folosind banda izolatoare, infasurati firul de semnal, conductele de agent frigorific si scurgeti furtunul strans. Verificati de doua ori daca toate articolele sunt pachet.

NU INFORATI SFARSITURILE CONDUCTELOR

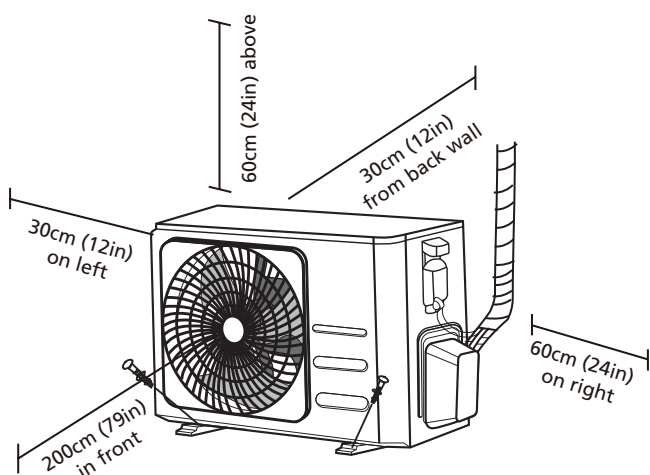
Cand infasurati pachetul, pastrati capetele conductei desfacute. Trebuie sa accesatisa le testeze pentru scurgeri la sfarsitul anului procesul de instalare (consultati Verificari electrice si Verificari de scurgere sectiunea acestui manual)

Pasul 8: Montati unitatea interioara

Daca ati instalat o conducta conectiva noua la unitatea exterioara, urmati urmatoarele instructiuni:

1. Daca ati trecut deja conductele de agent frigorific prin orificiul din perete, continuati la pasul 4.
2. In caz contrar, verificati daca capetele conductelor de agent frigorific sunt sigilate pentru a preveni patrunderea murdariei sau a materialelor straine in conducte.
3. Treceti incet pachetul infasurat de tevi de agent frigorific, furtunul de scurgere si firul de semnal prin gaura in perete.
4. Carligati partea superioara a unitatii interioare pe carligul superior al placii de montare.
5. Verificati daca unitatea este fixata ferm de montare prin aplicarea unei presiuni usoare pe partea stanga si dreapta a unitatii. Unitatea nu trebuie sa se miste sau sa se deplaseze.
6. Folosind o presiune uniforma, impingeti in jos pe jumatarea inferioara a unitatii. Continuati sa impingeti in jos pana cand unitatea se fixeaza pe carlige de-a lungul
7. Din nou, verificati daca unitatea este montata ferm aplicand o usoara presiune la stanga si la partea dreapta a unitatii.

Instalarea unitatii exterioare



Instructiuni de instalare - Unitatea exterioara

Pasul 1: Selectati locatia de instalare

Inainte de a instala unitatea exterioara, trebuie sa alegeti o locatie adecvata. Urmatoarele sunt standarde care va vor ajuta sa alegeti o locatie adecvata pentru unitate.

Locatiile corespunzatoare de instalare indeplinesc urmatoarele standarde:

- Ideplineste toate cerintele spatiale prezentate in Cerintele de spatiu de instalare de mai sus.
- Circulatie si aerisire bune
- Firm si solid - locatia poate sustine unitate si nu va vibra
- Zgomotul aparatului nu ii va deranja pe ceilalti
- Protejat de perioade prelungite de directe lumina soarelui sau ploaia
- Acolo unde se anticipeaza ninsoare, ridicati unitatea deasupra placii de baza pentru a preveni acumularea de gheata si deteriorarea bobinei. Montati unitatea suficient de sus pentru a fi peste nivelul mediu acumulat de zapada. Inaltimea minima trebuie sa fie de 18 inch.

NU instalati unitatea in urmatoarele locatii:

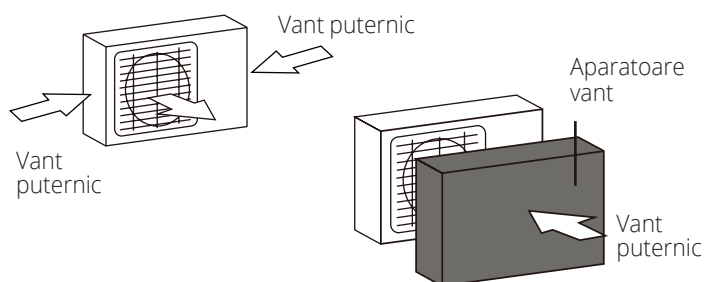
- ⊗ In apropierea unui obstacol care va bloca intrarile de aer si prizele
- ⊗ Langa o strada publica, zone aglomerate sau unde zgomotul aparatului ii va deranja pe ceilalti
- ⊗ Langa animale sau plante care vor fi afectate de evacuarea aerului cald

- ⊗ Langa orice sursa de gaz combustibil Intr-o locatie expusa la mari cantitati de praf
- ⊗ Intr-o locatie expusa la cantitati excesive de aer sarat

CONSIDERATII SPECIALE PENTRU VREME EXTREMA

Daca unitatea este expusa la vant puternic:

Instalati unitatea astfel incat ventilatorul de evacuare a aerului sa fie la un unghi de 90° fata de directia vantului. Daca este necesar, construiti o bariera in fata unitatii pentru a o proteja de vanturile extrem de grele. Vezi figura de mai jos.



Daca unitatea este expusa frecvent la ploi abundente sau zapada:

Construiti un adapost deasupra unitatii pentru a proteja din ploaie sau din zapada. Aveti grija sa nu impiedicati fluxul de aer in jurul unitatii.

Daca unitatea este expusa frecvent la aer sarat (litoral):

Utilizati unitatea exterioara special conceputa pentru a rezista la coroziune.

Pasul 2: Instalati imbinarea de scurgere (numai unitatea ce au pompe de caldura)

Inainte de a insuruba unitatea exterioara in pozitie, trebuie sa instalati imbinarea de scurgere in partea de jos a unitatii. Retineti ca exista doua tipuri diferite de imbinari de scurgere in functie de tipul unitatii exterioare.

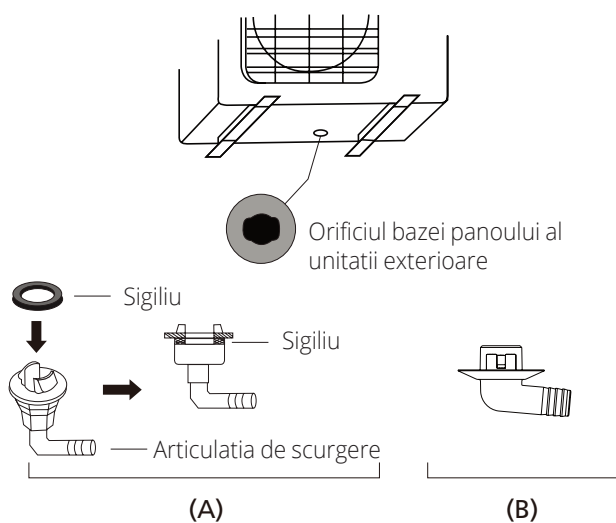
Daca imbinarea de scurgere vine cu o garnitura de cauciuc

(vezi Fig. A), procedati in felul urmatoar:

1. Montati garnitura de cauciuc pe capatul articulatiei de scurgere care se va conecta la unitatea exterioara.
2. Introduceti imbinarea de scurgere in orificiul din baza tava unitatii.
3. Rotiti articulatia de scurgere cu 90° pana cand se fixeaza in pozitie cu fata catre partea din fata a unitatii.
4. Conectati o extensie a furtunului de scurgere (nu este inclusa) la imbinarea de scurgere pentru a redirectiona apa din unitate in timpul modului de incalzire.

Daca imbinarea de scurgere nu vine cu sigiliu de cauciuc (vezi Fig. B), procedati in felul urmatoar:

1. Introduceti imbinarea de scurgere in orificiul din tava de baza a unitatii. Imbinarea de scurgere va face clic in pozitie.
2. Conectati o extensie a furtunului de scurgere (nu este inclusa) la imbinarea de scurgere pentru a redirectiona apa din unitate in timpul modului de incalzire.



! IN CLIME RECE

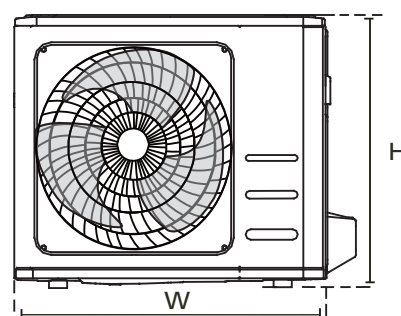
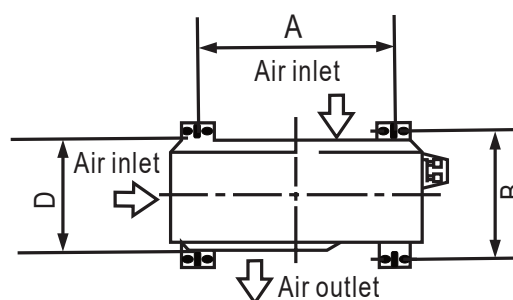
In clima rece, asigurati-va ca furtunul de scurgere este cat mai vertical posibil pentru a asigura scurgerea rapida a apei. Daca apa se scurge prea incet, aceasta poate ingheta furtunul si poate inunda unitatea.

Pasul 3: Ancorati unitatea exterioara

Unitatea exterioara poate fi ancorata la sol, sau la un suport fixat pe perete cu surub (M10). Pregatiti baza de instalare a unitatii conform dimensiunilor de mai jos.

DIMENSIUNI DE MONTARE A UNITATII

Urmatoarea este o lista a diferitelor dimensiuni ale unitatii exterioare si a distantei dintre picioarele lor de montare. Pregatiti baza de instalare a unitatii in functie de dimensiunile de mai jos.



Dimensiunile unitatii exterioare (mm) W x H x D	Dimensiuni montare	
	Distanta A (mm/in)	Distanta B (mm/in)
681x434x285 (26.8"x 17.1"x 11.2")	460 (18.1")	292 (11.5")
700x550x270 (27.5"x 21.6"x 10.6")	450 (17.7")	260 (10.2")
700x550x275 (27.5"x 21.6"x 10.8")	450 (17.7")	260 (10.2")
720x495x270 (28.3"x 19.5"x 10.6")	452 (17.8")	255 (10.0")
728x555x300 (28.7"x 21.8"x 11.8")	452 (17.8")	302(11.9")
765x555x303 (30.1"x 21.8"x 11.9")	452 (17.8")	286(11.3")
770x555x300 (30.3"x 21.8"x 11.8")	487 (19.2")	298 (11.7")
805x554x330 (31.7"x 21.8"x 12.9")	511 (20.1")	317 (12.5")
800x554x333 (31.5"x 21.8"x 13.1")	514 (20.2")	340 (13.4")
845x702x363 (33.3"x 27.6"x 14.3")	540 (21.3")	350 (13.8")
890x673x342 (35.0"x 26.5"x 13.5")	663 (26.1")	354 (13.9")
946x810x420 (37.2"x 31.9"x 16.5")	673 (26.5")	403 (15.9")
946x810x410 (37.2"x 31.9"x 16.1")	673 (26.5")	403 (15.9")

Daca veti instala unitatea pe sol sau pe o platforma de montare din beton, faceti urmatoarele:

1. Marcati pozitiile pentru patru suruburi de expansiune pe baza diagramei de dimensiuni.
2. Pre-gauriti gaurile pentru suruburile de expansiune.
3. Asezati o piulita la capatul fiecarui surub de expansiune.
4. Ciocane de expansiune ciocan in pre-forate gauri.
5. Scoateti piulitele de pe suruburile de expansiune si asezati unitatea exterioara pe suruburi.
6. Puneti saiba pe fiecare surub de expansiune, apoi inlocuiti piulitele.
7. Folosind o cheie, strangeti fiecare piulita pana la fixare.

AVERTIZARE

LA FORAREA IN BETON, PROTECTIA OCHILOR ESTE RECOMANDATA IN TOATE MOMENTELE.

Daca veti instala unitatea pe un suport fixat pe perete, urmeaza urmatoarele instructiuni:

PRUDENTA

Asigurati-va ca peretele este realizat din caramida solida, beton sau dintr-un material similar rezistent. Peretele trebuie sa poata suporta cel putin de patru ori greutatea unitatii.

1. Marcati pozitia gaurilor suportului pe baza diagrama dimensiunilor.
2. Pre-gauriti gaurile pentru suruburile de expansiune.
3. Asezati o saiba si o piulita la capatul fiecarei surub de expansiune.
4. Filetati suruburile de expansiune prin orificiile din suporturile de montare, puneti suporturile de montare in pozitie si ciocaniti suruburile de expansiune in perete.
5. Verificati daca suporturile de montare sunt la nivel.
6. Ridicati cu grija unitatea si asezati picioarele sale de fixare pe suporturi.
7. Insurubati ferm unitatea la paranteze.
8. Daca este permis, instalati unitatea cu garnituri de cauciuc pentru a reduce vibratiile si zgomotul.

Pasul 4: Conectati cablurile de semnal si de alimentare Blocul de conexiuni al unitatii exterioare este protejat de un capac de cablare electrica pe partea laterala a unitatii. O schema completa de cablare este tiparita pe interiorul capacului cablajului.

⚠ AVERTIZARE

INAINTE DE A REALIZA ORICE LUCRU ELECTRIC SAU DE CANTARE, OPRITI PUTEREA PRINCIPALA A SISTEMULUI.

1. Pregatiti cablul pentru conectare:

Folositi cablul potrivit

Va rugam sa alegeti cablul potrivit, consultati „Tipuri de cabluri”

ALEGE DIMENSIUNEA CABLULUI

Dimensiunea necesara a cablului de alimentare, cablului de semnal, sigurantei si comutatorului este determinata de curentul maxim al unitatii. Curentul maxim este indicat pe placa de identificare amplasata pe panoul lateral al aparatului.

NOTA: In America de Nord, va rugam sa alegeti dimensiunea corecta a cablului in conformitate cu Ampacitatea minima a circuitului indicata pe placuta de identificare a unitatii.

- Folosind decapanti de sarma, dezbracati mantaua de cauciuc de la ambele capete ale cablului pentru a dezvalui aproximativ 40 mm (1,57 in) de fire din interior.
- Indepartati izolatia de la capetele firelor.
- Folosind un sertizor de sarma, sertizati u-lugs pe capetele firelor.

LEGAREA FIRELOR

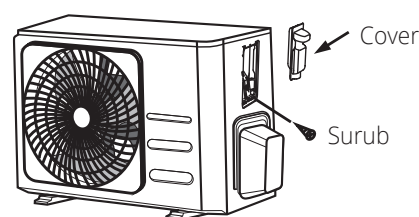
In timp ce legati firele, asigurati-va ca distingeti in mod clar firul Live („L”) de alte fire.

⚠ AVERTIZARE

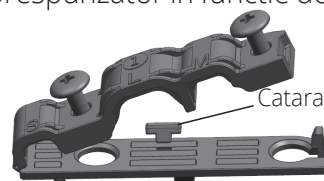
TOATE LUCRARILE DE CANTARE TREBUIE EFECTUATE STRICT IN CONFORMITATE CU DIAGRAMA DE CABLURI LOCALIZATA IN INTERIORUL CAPACULUI DE UNITATII EXTERNE.

2. Desurubati capacul cablajului electric si scoateti-l.

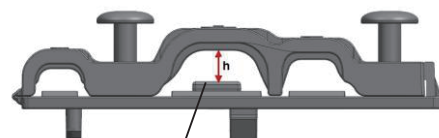
- Desurubati clema cablului de sub terminal blocati-l si asezati-l lateral.
- Conectati firul conform schemei de cablare si insurubati ferm u-lugul fiecaruia sarma la terminalul corespunzator.
- Dupa verificarea pentru a va asigura ca fiecare conexiune este sigura, infasurati firele pentru a preveni ploaia apa care curge in terminal.
- Cu ajutorul clemei de cablu, fixati cablul de unitate. Insurubati bine clema de cablu.
- Izolati firele neutilizate cu banda electrica din PVC. Aranjati-le astfel incat sa nu atinga piese electrice sau metalice.
- Puneti la loc capacul de sarma de pe partea laterala a unitatii, si insurubati-l la loc.



NOTA: Daca clema pentru cablu arata ca urmatoarea, va rugam sa selectati orificiul de trecere corespunzator in functie de diametrul firului.



Gaura in trei dimensiuni: mica, mare, medie



Cand cablul nu este suficient de strans, folositi catarama pentru a-l sprijini, astfel incat sa poata fi strans strans.

Conectarea tevilor de agent frigorific

La conectarea conductelor de agent frigorific, nu permiteti sa intre in unitate alte substante sau gaze decat agentul frigorific specificat. Prezenta altor gaze sau substante va reduce capacitatea unitatii si poate provoca o presiune anormal de mare in ciclul de refrigerare. Acest lucru poate provoca explozii si raniri.

Nota privind lungimea tevii

Lungimea conductelor de agent frigorific va afecta performanta si eficienta energetica a unitatii. Eficienta nominala este testata pe unitatile cu o lungime a tevii de 5 metri (16,5 ft) (in America de Nord, lungimea standard a tevii este de 7,5 m (25')). Este necesara o rulare minima de 3 metri pentru a minimiza vibratiile si zgomotul excesiv. In zonele tropicale speciale, pentru modelele de agent frigorific R290, nu poate fi adaugat niciun agent frigorific si maximlungimea conductei de agent frigorific nu trebuie sa depaseasca 10 metri (32,8 ft). Consultati tabelul de mai jos pentru specificatii privind lungimea maxima si inaltimea de cadere a conductelor

Lungimea maxima si inaltimea de cadere a conductelor de agent frigorific pe model de unitate

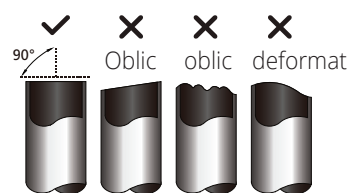
Model	Capacitate (BTU/h)	Lungime maxima (m)	Inaltime maxima (m)
R410A, R32 Invertor Split Aer Conditionat	< 15,000	25 (82ft)	10 (33ft)
	≥ 15,000 and < 24,000	30 (98.5ft)	20 (66ft)
	≥ 24,000 and < 36,000	50 (164ft)	25 (82ft)
Aparat de aer conditionat split cu viteza fixa R22	< 18,000	10 (33ft)	5 (16ft)
	≥ 18,000 and < 21,000	15 (49ft)	8(26ft)
	≥ 21,000 and < 35,000	20 (66ft)	10(33ft)
R410A, R32 cu viteza fixa Aer conditionat split	< 18,000	20 (66ft)	8(26ft)
	≥ 18,000 and < 36,000	25 (82ft)	10(33ft)

Instructiuni de conectare - tevi agent frigorific

Pasul 1: Taierea tevii

Cand pregatiti tevile de agent frigorific, aveti grija deosebita sa le taiati si sa le aprindeti corespunzator. Acest lucru va asigura o operare eficienta si va reduce la minimumnevoie de intretinere viitoare

1. Masurati distanta dintre interior si unitati exterioare.
2. Folosind un taietor de teava, taiati conducta putin mai mult decat distanta masurata.
3. Asigurati-va ca teava este taiata la 90 ° perfect unghi



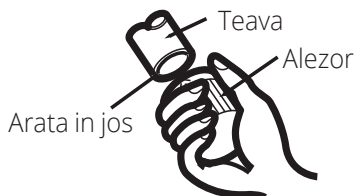
⊘ NU DEFORMATI TUBUL IN TIMPUL TAIERII

Aveti grija sa nu deteriorati sau sa deformati conducta in timpul taierii. Acest lucru va reduce drastic eficienta de incalzire a unitatii.

Pasul 2: Indepartati bavurile

Bavurile pot afecta etansarea conexiunii conductelor de agent frigorific. Trebuie sa fie complet indepartate..

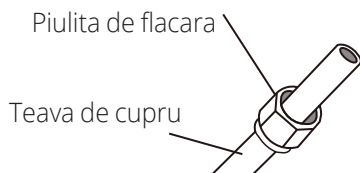
1. Tineti conducta la un unghi descendent pentru a preveni bavurile de la cadea in interiorul tevii.
2. Folosind un alezor sau un instrument de debavurare, eliminati toate bavurile din sectiunea taiata a tevii.



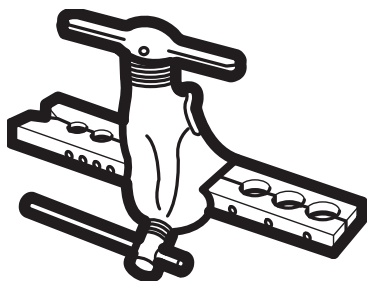
Pasul 3: Incheierea insurubarii piulitei

pentru a obtine o etansare etansa.

1. Dupa indepartarea bavurilor din teava taiata, sigilati capetele cu banda din PVC pentru a preveni strainatatea materiale de la intrarea in conducta.
2. Inveliti conducta cu material izolant.
3. Asezati piulite flare la ambele capete ale tevii. Facesigur ca se indreapta in directia corecta, pentru ca nu le puteti pune sau schimba directia dupa ce a ars.

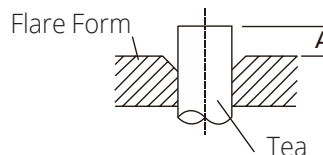


4. Scoateti banda din PVC de la capetele tevii cand gata sa efectueze munca de evazare.
5. Clema se formeaza la capatul tevii. Capatul conductei trebuie sa se extinda dincolo de marginea formei de flare in conformitate cu dimensiunile prezentate in tabelul de mai jos.



EXTENSIE DE CONDUCERE DUPA FORMA PIULITEI

Diametrul exterior al tevii (mm)	A (mm)	
	Minim	Maxim
Ø 6.35 (Ø 0.25")	0.7 (0.0275")	1.3 (0.05")
Ø 9.52 (Ø 0.375")	1.0 (0.04")	1.6 (0.063")
Ø 12.7 (Ø 0.5")	1.0 (0.04")	1.8 (0.07")
Ø 16 (Ø 0.63")	2.0 (0.078")	2.2 (0.086")
Ø 19 (Ø 0.75")	2.0 (0.078")	2.4 (0.094")



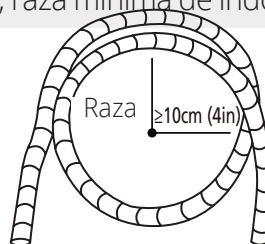
6. Asezati instrumentul de evazare pe formular.
7. Intoarce-ti manerul instrumentului de evazare in sensul acelor de ceasornic pana cand teava este complet evazata.
8. Indepartati instrumentul de evazare si forma de evazare, apoi inspectati capatul tevii pentru fisuri.

Pasul 4: Conectati conductele

Cand conectati conductele de agent frigorific, aveti grija sa nu folositi un cuplu excesiv sau sa deformati conductele in vreun fel. Mai intai ar trebui sa conectati conducta de joasa presiune, apoi conducta de inalta presiune.

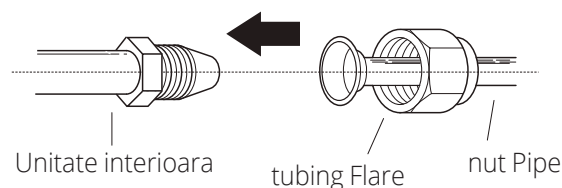
RAZA MINIMA DE INBORDARE

La indoirea conductelor de agent frigorific conectiv, raza minima de indoire este de 10cm.

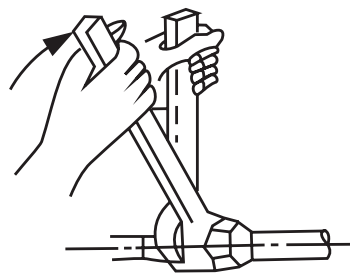


Instructiuni pentru conectarea conductelor la unitatea interioara

1. Aliniati centrul celor doua tevi pe care le veti conecta



2. Strangeti piulita cat mai strans posibil cu mana.
3. Cu ajutorul unei chei, apucati piulita de tubulatura unitatii.
4. In timp ce apucati ferm piulita de pe tubul unitatii, utilizati o cheie dinamometrica pentru a strange piulita in functie de valorile de cuplu din tabelul de mai jos. Slabiti usor piulita evazata, apoi strangeti din nou.



CERINTE DE CUPLU

Diametrul exterior al tevii (mm)	Cuplul de strangere (N • m)	Dimensiune piulita (B) (mm)	Forma
Ø 6.35 (Ø 0.25")	18~20(180~200kgf.cm)	8.4~8.7 (0.33~0.34")	
Ø 9.52 (Ø 0.375")	32~39(320~390kgf.cm)	13.2~13.5 (0.52~0.53")	
Ø 12.7 (Ø 0.5")	49~59(490~590kgf.cm)	16.2~16.5 (0.64~0.65")	
Ø 16 (Ø 0.63")	57~71(570~710kgf.cm)	19.2~19.7 (0.76~0.78")	
Ø 19 (Ø 0.75")	67~101(670~1010kgf.cm)	23.2~23.7 (0.91~0.93")	

⊘ NU UTILIZATI CUPLU EXCESIV

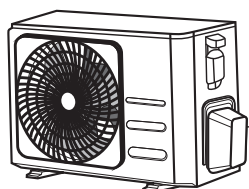
Forta excesiva poate rupe piulita sau poate deteriora conductele de agent frigorific. Nu trebuie sa depasiti cuplul cerintele prezentate in tabelul de mai sus.

Instructiuni pentru conectarea conductelor la unitatea exterioara

1. Desurubati capacul de la supapa ambalata partea laterala a unitatii exterioare.
2. Indepartati capacele de protectie de la capetele supapelor.
3. Aliniati capatul tevii evazate cu fiecare supapa si strangeti piulita evazata cat mai strans cu mana.
4. Cu ajutorul unei chei, prindeti corpul supapei. Nu apucati piulita care etanseaza supapa de serviciu.
5. In timp ce strangeti ferm corpul supapei, folositi o cheie dinamometrica pentru a strange piulita flare in functie de valorile corecte ale cuplului.
6. Slabiti usor piulita evazata, apoi strangeti-o din nou.
7. Repetati pasii de la 3 la 6 pentru conducta ramasa.

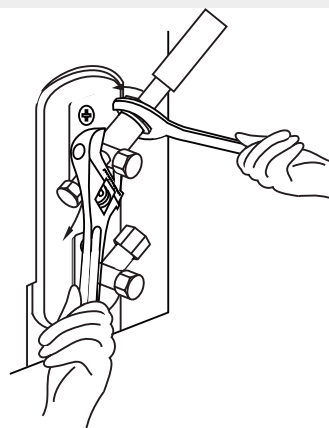
! UTILIZATI SPANNERUL PENTRU A INCHIDE PRINCIPALUL CORP AL VALVEI

Cuplu de la strangerea piulitei flare se poate rupe de pe alte parti ale supapei.



Capacul supapei

5. In timp ce strangeti ferm corpul supapei, folositi o cheie dinamometrica pentru a strange piulita flare in functie de valorile corecte ale cuplului.



Evacuarea aerului

Pregatiri si precautii

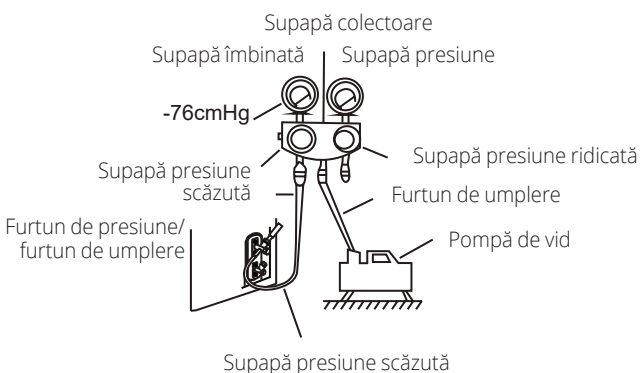
Aerul si materiile straine din circuitul frigorific pot provoca crestere anormale ale presiunii, care pot deteriora aparatul de aer conditionat, reduceti eficienta acestuia si cauza ranire. Folositi o pompa de vid si un colector pentru evacuarea circuitului de agent frigorific, indepartandu-l gaz necondensabil si umezeala din sistem.

Evacuarea trebuie efectuata la initiala instalarea si cand unitatea este mutata.

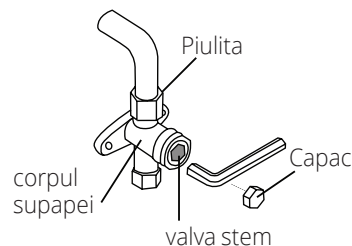
INAINTE DE A EFECTUA EVACUAREA

- ☑ Verificati pentru a va asigura ca conductele de conectare intre unitatile interioare si exterioare sunt conectate corect.
- ☑ Verificati pentru a va asigura ca toate cablurile sunt conectate corect.

1. Conectati furtunul de incarcare al manometrului colectorului la portul de service de pe unitatea exterioara supapa de joasa presiune.
2. Conectati un alt furtun de incarcare de la colector pentru pompa de vid.
3. Deschideti partea de presiune scazuta a manometrului colectorului. Pastrati partea de inalta presiune inchisa.
4. Intoarce-te pe pompa de vid pentru evacuarea sistem.
5. Rulati vidul cel putin 15 minute sau pana cand Compound Meter citeste -76cmHG (-10 5Pa).



6. Inchideti partea de presiune scazuta a colectorului si opriti pompa de vid.
7. Astepta timp de 5 minute, apoi verificati daca nu a existat nicio modificare a presiunii sistemului.
8. Daca exista o modificare a presiunii sistemului, consultati sectiunea Verificare scurgeri de gaz pentru informatii despre cum sa verificati scurgerile. Daca nu exista nicio modificare a presiunii sistemului, desurubati capacul de la supapa ambalata (supapa de inalta presiune).
9. Introduceti cheia hexagonala in supapa ambalata (supapa de inalta presiune) si deschideti supapa prin rotirea cheii intr-o cota de 1/4 in sens invers acelor de ceasornic. Ascultati gazul pentru a iesi din sistem, apoi inchideti supapa dupa 5 secunde.
10. Urmariti manometrul timp de un minut pentru a va asigura ca nu exista nicio modificare a presiunii. Manometrul ar trebui sa fie citit putin mai mare decat presiunea atmosferica.
11. Scoateti furtunul de incarcare din portul de service.



12. Folosind o cheie hexagonala, deschideti complet atat supapele de inalta presiune, cat si cele de joasa presiune.
13. Strangeti manual capacele supapelor de pe toate cele trei supape (orificiu de service, presiune ridicata, presiune scazuta). Puteti strange ulterior folosind o cheie dinamometrica, daca este necesar

! DESCHIDETI TIJELE SUPAPEI

Cand deschideti tije supapei, rotiti cheia hexagonala pana cand se loveste de dop. Nu incercati sa fortati supapa sa se deschida in continuare.


Nota privind adaugarea agentului frigorific

Unele sisteme necesita incarcare suplimentara in functie de lungimile tevii. Lungimea standard a tevii variaza in conformitate cu reglementarile locale. De exemplu, in America de Nord, lungimea standard a tevii este de 7,5 m (25'). In alte zone, lungimea standard a tevii este de 5m (16'). Agentul frigorific trebuie incarcat de la orificiul de service de pe supapa de joasa presiune a unitatii exterioare. Agentul frigorific suplimentar care trebuie incarcat poate fi calculat folosind urmatoarea formula:

REFRIGERANT SUPLIMENTAR IN FUNCTIE DE LUNGIMEA TRASEULUI FRIGORIFIC

Connective Pipe Length (m)	Air Purging Method	Additional Refrigerant	
≤ Standard pipe length	Vacuum Pump	N/A	
> Standard pipe length	Vacuum Pump	Liquid Side: Ø 6.35 (ø 0.25") R32: (Pipe length – standard length) x 12g/m (Pipe length – standard length) x 0.13oz/ft R290: (Pipe length – standard length) x 10g/m (Pipe length – standard length) x 0.10oz/ft R410A: (Pipe length – standard length) x 15g/m (Pipe length – standard length) x 0.16oz/ft R22: (Pipe length – standard length) x 20g/m (Pipe length – standard length) x 0.21oz/ft	Liquid Side: Ø 9.52 (ø 0.375") R32: (Pipe length – standard length) x 24g/m (Pipe length – standard length) x 0.26oz/ft R290: (Pipe length – standard length) x 18g/m (Pipe length – standard length) x 0.19oz/ft R410A: (Pipe length – standard length) x 30g/m (Pipe length – standard length) x 0.32oz/ft R22: (Pipe length – standard length) x 40g/m (Pipe length – standard length) x 0.42oz/ft

Pentru unitatea frigorifica R290, cantitatea totala de agent frigorific care trebuie incarcata nu este mai mare de: 387g (≤ 9000Btu / h), 447g (> 9000Btu / h si ≤ 12000Btu / h), 547g (> 12000Btu / h si ≤ 18000Btu / h), 632g (> 18000Btu / h si ≤ 24000Btu / h).

 **PRUDENTA: NU** amestecati tipurile de agent frigorific.

Verificari contra scurgerilor electrice si de gaze

Inainte de testare

Efectuati testul numai dupa ce ati terminat urmatoorii pasi:

- Verificari de siguranta electrica - Confirmati ca sistemul electric al unitatii este sigur si functioneaza corect.
- Verificari la scurgeri de gaz - Verificati toate conexiunile piulitelor si confirmati daca sistemul este fara scurgeri.
- Confirmati ca supapele de gaz si lichid (presiune inalta si joasa) sunt complet deschise.

Verificari ale sigurantei electrice

Dupa instalare, confirmati ca toate cablurile electrice sunt instalate in conformitate cu prevederile locale si nationale si in conformitate cu Manualul de instalare.

INAINTE DE A RULA TESTUL

Verificati lucrarile de impamantare
Masurati rezistenta la impamantare prin detectare vizuala si cu ajutorul testerului de rezistenta la impamantare. Rezistenta trebuie sa fie mai mica de 0,1 ▲.

Nota: Este posibil ca aceasta verificare sa nu fie necesara pentru unele locatii din America de Nord.

IN TIMPUL EXECUTIEI TESTULUI

Verificati daca exista scurgeri electrice

In timpul testului, utilizati un electroprobe si un multimetru pentru a efectua un test cuprinzator de scurgere electrica.

Daca se detecteaza scurgeri electrice, opriti imediat unitatea si sunati un electrician autorizat pentru a gasi si a rezolva cauza scurgerii.

Nota: Este posibil ca aceasta verificare sa nu fie necesara pentru unele locatii din America de Nord.



AVERTISMENT - RISC DE ELECTROCUTARE

TOATE CABLURILE TREBUIE SA RESPECTE CODURILE ELECTRICE LOCALE SI NATIONALE SI TREBUIE SA FIE INSTALATE DE UN ELECTRICIAN CU EXPERIENTA.

Verificarea scurgerilor de gaz

Exista doua metode diferite pentru a verifica gazul scurgeri.

Metoda sapunului si a apei

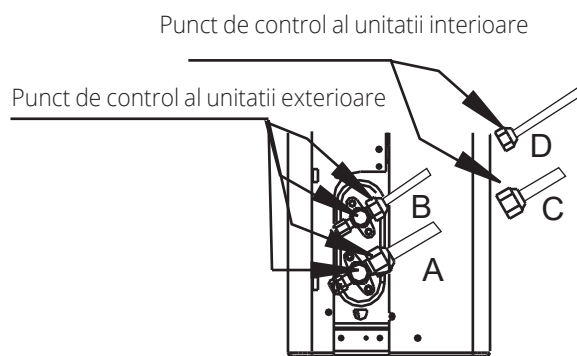
Folosind o perie moale, aplicati apa cu sapun sau detergent lichid pe toate punctele de conectare a conductelor de pe unitatea interioara si unitatea exterioara. Prezenta bulelor indica o scurgere.

Metoda detectorului de scurgeri

Daca utilizati un detector de scurgeri, consultati manualul de utilizare al dispozitivului pentru instructiuni de utilizare adecvate.

DUPA EFECTUAREA SCURGERII DE GAZ VERIFICARI

Dupa confirmarea faptului ca toate punctele de conectare a conductelor NU au scurgeri, inlocuiti capacul supapei de pe unitatea exterioara.



A: Supapa de oprire la presiune scazuta
B: Supapa de oprire la presiune inalta
C&D: Piulite ale unitatii interioare

PUNEREA IN FUNCTIUNE

Instructiunile testului

Ar trebui sa efectueze testul pentru cel putin 30 minute.

1. Conectati alimentarea la unitate.
2. Apasati butonul ON / OFF de pe telecomanda pentru a porni aparatul.
3. Apasati butonul MODE pentru a derula prin urmatoarele functii, una cate una:
 - COOL - Selectati cea mai mica temperatura posibila
 - CALDURA - Selectati cea mai mare temperatura posibila
4. Lasati fiecare functie sa ruleze timp de 5 minute si efectuati urmatoarele verificari:

Lista verificarilor	TRECUT / PICAT	
Fara scurgeri electrice		
Unitatea este impamantata corespunzator		
Toate terminalele electrice acoperite corespunzator		
Unitatile interioare si exterioare sunt instalate solid		
Toate punctele de conectare a conductelor nu se scurg	In aer liber (2):	Interior (2):
Apa se scurge corespunzator din furtunul de scurgere		
Toate conductele sunt izolate corespunzator		
Unitatea indeplineste corect functia COOL		
Unitatea indeplineste corect functia HEAT		
Jaluzelele unitatii interioare se rotesc corect		
Unitatea interioara raspunde la telecomanda		

VERIFICATI INCA O DATA CONECTAREA TEVILOR

In timpul functionarii, presiunea circuitului de agent frigorific va creste. Acest lucru poate duce la scurgeri care nu au fost prezente in timpul verificarii initiale a scurgerilor. Luati timp in timpul testului pentru a verifica daca toate punctele de conectare a conductelor de agent frigorific nu prezinta scurgeri. Consultati sectiunea "Verificare scurgeri de gaz" pentru instructiuni suplimentare.

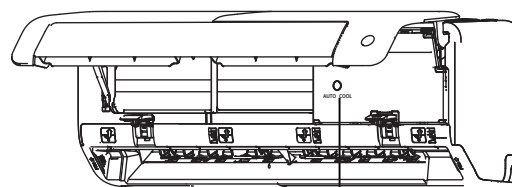
5. After the Test Run is successfully completed, and you confirm that all checks points in List of Checks to Perform have PASSED, do the following:

- a. Using remote control, return unit to normal operating temperature.
- b. Using insulation tape, wrap the indoor refrigerant pipe connections that you left uncovered during the indoor unit installation process.

DACA TEMPERATURA AMBIENTALA ESTE MAI MICA DE 17°C (62°F)

Nu puteti utiliza telecomanda pentru a activa functia COOL atunci cand temperatura ambianta este sub 17 ° C. In acest caz, puteti utiliza butonul MANUAL CONTROL pentru a testa functia COOL.

1. Butonul MANUAL CONTROL este situat pe panoul lateral din dreapta al aparatului.
2. Apasati butonul de 2 ori pentru a selecta Functia COOL.
3. Efectuati testul in mod normal.



Buton de control manual

Toate imaginile din acest manual, au scop pur informativ. Forma reala a produsului pe care l-ati cumparat poate fi usor diferita insa functiile si operatiile sunt aceleasi. Compania nu isi asuma nici o responsabilitate pentru greselile de tipar. Aspectul fizic si specificatiile tehnice se pot schimba fara o notificare prealabila datorita imbunatatirii continue a echipamentelor noastre. Pentru mai multe detalii, va rugam sa contactati producatorul la numarul de telefon: +30 211 300 3300, sau vanzatorul echipamentului. Toate actualizarile acestui manual vor fi disponibile pe website-ul nostru si va recomandam sa verificati intotdeauna pentru aparitia unei noi versiuni.



Scanati codul QR pentru a descarca ultima versiune a manualului.
www.inventoraerconditionat.ro/biblioteca-media

Activeaza-ti garantia

Urmeaza pasii de mai jos pentru activarea garantiei:

PASUL 1

Viziteaza site-ul nostru urmand linkul:

<https://www.inventoraerconditionat.ro/certificatul-de-garantie-inventor-aer-conditionat-si-electrocasnice>

sau scaneaza cu telefonul tau codul QR de mai jos:



PASUL 2

Completeaza campurile "Detaliile cumparatorului" si "Detaliile aparatului":

Pentru a activa garantia va rugam sa completati urmatoarele campuri

Detalii cumparatorului	Detalii aparatului
<input type="text" value="Detalii proprietar"/>	<input type="text" value="Detalii unitate"/>
<input type="text" value="Nume"/>	<input type="text" value="Tip"/>
<input type="text" value="Adresa*"/>	<input type="text" value="Numarul de Serie al aparatului*"/>

PASUL 3

Dati clic pe butonul TRIMITE, situat in partea stanga jos a formularului de completare a datelor:

Abonati-va la Newsletter-ul Inventor

acceptati Termenii si Conditile.

Imediat ce formularul pentru garantie a fost completat un mesaj de confirmare va fi trimis pe adresa ta de email

PASUL 4

Un email de confirmare va fi trimis la adresa de email pe care ati declarat-o. In cazul in care nu ati primit un email avem rugamintea sa verificati de asemenea si folderul Spam.

PASUL 5

Ati activat cu succes Garantia Inventor!

Inhaltsverzeichnis

Sicherheitshinweise	4
----------------------------------	----------

Installationshandbuch

Gerätespezifikationen und Merkmale	9
1. Installationszusammenfassung- Innengerät Display	9
2. Betriebstemperatur	10
3. Weitere Merkmale	11
4. Einstellung des Luftstromwinkels	12
5. Bedienungsanleitung (ohne Fernbedienung)	12
Pflege und Instandhaltung	13
Fehlerbehebung	15

Installationsanleitung

Zubehör	19
Installation des Innengeräts	20
Einheit Teile	21
Innengerät-Installation	22
1. Wahl des Installationsorts	22
2. Befestigung der Wandhalterung	22
3. Wanddurchbruch für die Anschlussrohre	23
4. Vorbereitung der Kältemittelleitungen	24
5. Anschluss des Ablaufrohres	26
6. Anschluss des Signal	27
7. Umwickeln der Rohrleitungen und Kabel.....	28
8. Befestigung des Innengeräts	29
Installation des Außengeräts	29
1. Wahl des Installationsorts	29
2. Installation des Ablaufanschlusses	30
3. Befestigung des Außengeräts	30
4. Anschluss des Signal- und des Netzkabels.....	32
Anschluss der Kältemittelleitungen	34
A. Hinweis zur Rohrlänge	34
B. Anschlussanleitung - Kältemittelrohre.....	34
1. Zuschneiden des Rohres.....	34
2. Entfernung von Graten	35
3. Bildung der Rohrmündungen	35
4. Verbindung der Rohre	35
Entlüftung	37
1. Entlüftungsanweisungen.....	37
2. Hinweis zum Kältemittelzusatz	38
Elektrische und Gasleckprüfungen	39
Testlauf	40

Sicherheitshinweise

Vor Durchführung der Installationsarbeiten, bitte die Sicherheitsvorkehrungen lesen Eine möglicherweise falsche Installation durch Nichtbeachtung der Anweisungen kann zu schweren Schäden und Verletzungen führen. Die Schwere der möglichen Schäden oder Verletzungen wird nach den Kategorien **WARNUNG** oder **VORSICHT** klassifiziert.



WARNUNG

Dieses Symbol zeigt an, dass die Nichtbeachtung der Anweisungen zum Tod oder schweren Verletzungen führen kann.



VORSICHT

Dieses Symbol zeigt an, dass die Nichtbeachtung der Anweisungen zu mittelschweren Verletzungen bei Ihnen selbst, zu Schäden am Gerät oder anderen Sachschäden führen kann.

! WARNUNG

- Dieses Gerät kann von Kindern ab 8 Jahren und von Personen mit eingeschränkten körperlichen, sensorischen oder geistigen Fähigkeiten oder mangelnder Erfahrung und Kenntnissen verwendet werden, wenn sie in sicherer Weise beaufsichtigt oder unterwiesen wurden und die damit verbundenen Gefahren verstehen. Kinder dürfen nicht mit dem Gerät spielen. Die Reinigung und Wartung des Gerätes darf nicht von Kindern ohne Aufsicht durchgeführt werden (Länder der Europäischen Union).
- Dieses Gerät ist nicht zur Verwendung durch Personen (einschließlich Kinder) mit eingeschränkten physischen, sensorischen oder geistigen Fähigkeiten oder mangelnder Erfahrung und Kenntnissen bestimmt, es sei denn, sie wurden von einer für ihre Sicherheit verantwortlichen Person beaufsichtigt oder in die Verwendung des Geräts eingewiesen. Kinder sollten beaufsichtigt werden, um sicherzustellen, dass sie nicht mit dem Gerät spielen.

! WARNUNG

- Wenn eine ungewöhnliche Situation auftritt (z.B. Brandgeruch), schalten Sie das Gerät sofort aus und trennen Sie den Strom ab. Rufen Sie Ihren Händler an, um Anweisungen zur Vermeidung von Stromschlag, Feuer oder Verletzungen zu erhalten.
- Stecken Sie keine Finger, Stangen oder andere Gegenstände in den Lufteinlass oder -auslass. Dies kann zu Verletzungen führen, da sich der Ventilator mit hoher Geschwindigkeit drehen kann.
- Verwenden Sie in der Nähe des Geräts keine brennbaren Sprays wie Haarspray, Lack oder Farbe. Dies kann einen Brand oder eine Verbrennung verursachen.
- Betreiben Sie das Klimagerät nicht an Orten in der Nähe oder in der Nähe von brennbaren Gasen. Ausströmendes Gas kann sammeln sich um das Gerät herum und verursachen eine Explosion.
- Betreiben Sie Ihr Klimagerät nicht in einem Feuchtraum wie einem Badezimmer oder einer Waschküche. Eine zu starke Wassereinwirkung kann zum Kurzschluss elektrischer Komponenten führen.
- Setzen Sie Ihren Körper nicht über einen längeren Zeitraum direkt kühler Luft aus.
- Lassen Sie Kinder nicht mit der Klimaanlage spielen. Kinder müssen in der Nähe des Geräts jederzeit beaufsichtigt werden.
- Wenn das Klimagerät zusammen mit Brennern oder anderen Heizgeräten verwendet wird, muss der Raum gründlich gelüftet werden, um Sauerstoffmangel zu vermeiden.
- In bestimmten funktionalen Umgebungen, wie z.B. Küchen, Serverräumen usw., wird die Verwendung von speziell entwickelten Klimaanlage dringend empfohlen.

REINIGUNGS- UND WARTUNGSHINWEISE

- Schalten Sie das Gerät vor der Reinigung aus und trennen Sie es vom Stromnetz. Nichtbeachtung kann einen elektrischen Schlag verursachen.
- Reinigen Sie die Klimaanlage nicht mit übermäßigen Wassermengen.
- Reinigen Sie das Klimagerät nicht mit brennbaren Reinigungsmitteln. Brennbare Reinigungsmittel können Feuer oder Verformungen verursachen.

⚠ VORSICHT

- Schalten Sie die Klimaanlage aus und unterbrechen Sie die Stromversorgung, wenn Sie sie über einen längeren Zeitraum nicht benutzen.
- Schalten Sie das Gerät bei Sturm aus und ziehen Sie den Netzstecker.
- Sicherstellen, dass Kondenswasser abfließen kann ungehindert von der Einheit.
- Bedienen Sie das Klimagerät nicht mit nassen Händen. Dies kann einen elektrischen Schlag verursachen.
- Verwenden Sie das Gerät nicht für einen anderen als den vorgesehenen Zweck.
- Klettern Sie nicht auf das Außengerät und stellen Sie keine Gegenstände darauf ab.
- Lassen Sie die Klimaanlage nicht über längere Zeiträume bei geöffneten Türen oder Fenstern oder bei sehr hoher Luftfeuchtigkeit laufen.

⚠ ELEKTRISCHE WARNHINWEISE

- Verwenden Sie nur das angegebene Netzkabel. Wenn das Netzkabel beschädigt ist, muss es durch den Hersteller, seinen Kundendienst oder ähnlich qualifizierte Personen ersetzt werden, um eine Gefährdung zu vermeiden.
- Halten Sie den Netzstecker sauber. Entfernen Sie jeglichen Staub oder Schmutz, der sich auf oder um den Stecker herum angesammelt hat. Schmutzig. Stecker können Feuer oder einen elektrischen Schlag verursachen.
- Das Gerät nicht durch Ziehen am Netzkabel vom Netz trennen. Halten Sie den Stecker fest und ziehen Sie ihn aus der Steckdose. Wenn Sie direkt am Kabel ziehen, kann es beschädigt werden, was zu Bränden oder Stromschlägen führen kann.
- Verändern Sie nicht die Länge des Netzkabels und verwenden Sie kein Verlängerungskabel, um das Gerät mit Strom zu versorgen.
- Die Steckdose darf nicht mit anderen Geräten geteilt werden. Eine falsche oder unzureichende Stromversorgung kann zu Bränden oder Stromschlägen führen.
- Das Produkt muss zum Zeitpunkt der Installation ordnungsgemäß geerdet sein, da es sonst zu einem elektrischen Schlag kommen kann.
- Für alle elektrischen Arbeiten sind alle lokalen und nationalen Verkabelungsnormen, Vorschriften und das Installationshandbuch zu befolgen. Schließen Sie die Kabel fest an und klemmen Sie sie fest, um zu verhindern, dass externe Kräfte den Anschluss beschädigen. Unsachgemäße elektrische Anschlüsse können sich überhitzen und Brände sowie Stromschläge verursachen. Alle elektrischen Anschlüsse müssen gemäß dem elektrischen Anschlussplan vorgenommen werden, der sich auf den Tafeln der Innen- und Außeneinheiten befindet.
- Die gesamte Verkabelung muss ordnungsgemäß angeordnet sein, um sicherzustellen, dass die Abdeckung der Steuerplatine richtig schließen kann. Wenn die Abdeckung der Steuerplatine nicht richtig geschlossen ist, kann dies zu Korrosion führen und die Anschlusspunkte am Terminal erhitzen, Feuer fangen oder einen elektrischen Schlag verursachen.
- Beim Anschluss an eine feste Verkabelung muss eine allpolige Trennvorrichtung mit mindestens 3 mm Abstand in allen Polen und einem Ableitstrom, der 10 mA übersteigen kann, sowie eine Fehlerstromschutzeinrichtung (RCD) mit einem Nennrestbetriebsstrom von höchstens 30 mA in die feste Verkabelung gemäß den Verkabelungsregeln eingebaut werden.

SPEZIFIKATIONEN DER SICHERUNGEN BEACHTEN

Die Leiterplatte (PCB) des Klimageräts ist mit einer Sicherung zum Überstromschutz ausgestattet. Die Spezifikationen der Sicherung sind auf der Leiterplatte aufgedruckt, wie z.B.: T3.15AL/250VAC, T5AL/250VAC, T3.15A/250VAC, T5A/250VAC, T20A/250VAC, T30A/250VAC, usw.

HINWEIS: Bei Geräten, die das Kältemittel R32 oder R290 verwenden, kann nur die explosionsgeschützte Keramiksicherung verwendet werden.

WARNUNGEN FÜR DIE PRODUKTINSTALLATION

1. Die Installation muss von einem autorisierten Händler oder Fachmann durchgeführt werden. Eine fehlerhafte Installation kann zu Wasseraustritt, elektrischem Schlag oder Feuer führen.
2. Die Installation muss gemäß den Installationsanweisungen durchgeführt werden. Eine unsachgemäße Installation kann zu Wasseraustritt, Stromschlag oder Feuer führen. (In Nordamerika darf die Installation in Übereinstimmung mit den Anforderungen von NEC und CEC nur von autorisiertem Personal durchgeführt werden).
3. Wenden Sie sich zur Reparatur oder Wartung dieses Geräts an einen autorisierten Servicetechniker. Dieses Gerät muss in Übereinstimmung mit den nationalen Verkabelungsvorschriften installiert werden.
4. Verwenden Sie für die Installation nur das mitgelieferte Zubehör, Teile und spezifizierte Teile. Die Verwendung von nicht normgerechten Teilen kann zu Wasseraustritt, elektrischem Schlag, Feuer und zum Ausfall des Geräts führen.
5. Installieren Sie das Gerät an einem festen Ort, der das Gewicht des Geräts tragen kann. Wenn der gewählte Standort das Gewicht des Geräts nicht tragen kann oder die Installation nicht ordnungsgemäß durchgeführt wird, kann das Gerät herunterfallen und schwere Verletzungen und Schäden verursachen.
6. Installieren Sie Entwässerungsrohre gemäß den Anweisungen in diesem Handbuch. Eine unsachgemäße Entwässerung kann Wasserschäden an Ihrem Haus und Eigentum verursachen.
7. Bei Einheiten, die über eine elektrische Zusatzheizung verfügen, darf die Einheit nicht näher als 1 Meter (3 Fuß) an brennbaren Materialien installiert werden.
8. Installieren Sie das Gerät nicht an einem Ort, an dem es zum Austritt von brennbarem Gas kommen kann. Wenn sich brennbares Gas um das Gerät herum ansammelt, kann es einen Brand verursachen.
9. Schalten Sie den Strom nicht ein, bevor alle Arbeiten abgeschlossen sind.
10. Wenden Sie sich beim Umzug oder der Verlegung des Klimageräts an erfahrene Servicetechniker, um das Gerät abzuschalten und neu zu installieren.
11. Wie das Gerät an seiner Halterung installiert wird, lesen Sie bitte die Informationen für Details in den Abschnitten "Installation der Inneneinheit" und "Installation der Außeneinheit"

Hinweis zu fluorierten Gasen (gilt nicht für die Einheit, die das Kältemittel R290 verwendet).

1. Diese Klimaanlage enthält fluorierte Treibhausgase. Spezifische Informationen über die Art des Gases und die Menge entnehmen Sie bitte dem entsprechenden Etikett auf dem Gerät selbst oder dem "Benutzerhandbuch - Produktdatenblatt" in der Verpackung der Außeneinheit. (Nur Produkte der Europäischen Union).
2. Installation, Service, Wartung und Reparatur dieser Einheit müssen von einem zertifizierten Techniker durchgeführt werden.
3. Die Deinstallation und das Recycling des Produkts muss von einem zertifizierten Techniker durchgeführt werden.
4. Bei Einrichtungen, die fluorierte Treibhausgase in Mengen von 5 Tonnen CO₂-Äquivalent oder mehr, aber weniger als 50 Tonnen CO₂-Äquivalent enthalten, muss das System mindestens alle 24 Monate auf Undichtigkeiten überprüft werden, sofern ein Leckerkennungssystem installiert ist.
5. Wenn die Einheit auf Undichtigkeiten überprüft wird, wird dringend empfohlen, über alle Überprüfungen ordnungsgemäß Protokoll zu führen.

UV-C-Lampe






Dieses Gerät enthält eine UV-C-Lampe. Lesen Sie vor dem Öffnen des Gerätes die Wartungsanleitung.

1. Betreiben Sie die UV-C-Lampe nicht außerhalb des Gerätes.
2. Geräte, die offensichtlich beschädigt sind, dürfen nicht in Betrieb genommen werden.
3. Bei nicht bestimmungsgemäßem Gebrauch des Gerätes oder bei Beschädigung des Gehäuses kann es zum Austritt gefährlicher UV-C-Strahlung kommen. UV-C-Strahlung kann schon in geringen Dosen Augen- und Hautschäden verursachen.
4. Vor dem Öffnen von Türen und Zugangsklappen, die mit dem Gefahrensymbol für "UV-Strahlung" (ULTRAVIOLET RADIATION) gekennzeichnet sind, um die BENUTZERWARTUNG durchzuführen, wird empfohlen, das Gerät vom Stromnetz zu entfernen.
5. Die UV-C-Lampe kann nicht gereinigt, repariert und ersetzt werden.
6. UV-C-BARRIEREN, die mit dem Gefahrensymbol für UV-Strahlung" gekennzeichnet sind, dürfen nicht entfernt werden.

WARNUNG

Dieses Gerät enthält einen UV-Sender. Schauen Sie nicht in die Lichtquelle.

Erläuterung zu den Symbolen, die am Innen-/Außengerät abgebildet sind: (Für Geräte mit dem Kältemittel R32 / R290):

	WARNUNG	Dieses Symbol zeigt an, dass das Gerät mit einem entzündlichen Kältemittel betrieben wird. Das Austreten von Kältemittel und sein Kontakt mit einer äußeren Zündquelle kann einen Brand auslösen.
	VORSICHT	Diese Symbol zeigt an, dass es empfehlenswert ist, das Benutzerhandbuch aufmerksam zu lesen.
	VORSICHT	Dieses Symbol zeigt an, dass die Ausrüstung durch qualifiziertes Servicepersonal gemäß den Anweisungen im Installationshandbuch gehandhabt werden sollte.
	VORSICHT	
	VORSICHT	Dieses Symbol zeigt an, dass bezüglich der Funktion oder des Merkmals Informationen zur Verfügung stehen, etwa im Benutzer- oder Installationshandbuch.

⚠️ WARNUNG für die Verwendung des Kältemittels R32/R290

- Wenn brennbares Kältemittel verwendet wird, muss das Gerät in einem gut belüfteten Bereich gelagert werden, in dem die Raumgröße der für den Betrieb spezifizierten Raumfläche entspricht. Für R32-Kühlmittelmodelle: Das Gerät muss in einem Raum mit einer Bodenfläche von mehr als 4 m installiert, betrieben und gelagert werden. Das Gerät darf nicht in einem unbelüfteten Raum installiert werden, wenn dieser Raum kleiner als 4 m ist. Für R290-Kältemittelmodelle ist die erforderliche Mindestraumgröße anzugeben:
≤9000Btu/St units: 13m²
>9000Btu/St und ≤12000Btu/h units: 17m²
>12000Btu/St und ≤18000Btu/h units: 26m²
>18000Btu/St und ≤24000Btu/h units: 35m²
- Wiederverwendbare mechanische Verbinder und Bördelverbindungen sind in Innenräumen nicht erlaubt. (Anforderungen der EN-Norm).
- Mechanische Verbindungselemente, die in Innenräumen verwendet werden, dürfen bei 25% des maximal zulässigen Drucks eine Rate von nicht mehr als 3g/Jahr aufweisen. Wenn mechanische Verbindungselemente in Innenräumen wiederverwendet werden, müssen die Dichtungsteile erneuert werden. Wenn Bördelverbindungen in Innenräumen wiederverwendet werden, muss das Bördelteil neu hergestellt werden. (Anforderungen der UL-Norm)
- Wenn mechanische Verbinder in Innenräumen wiederverwendet werden, müssen die Dichtungsteile erneuert werden. Wenn Bördelverbindungen in Innenräumen wiederverwendet werden, muss der Bördelteil neu gefertigt werden. (Anforderungen der IEC-Norm)
- Mechanische Verbinder, die in Innenräumen verwendet werden, müssen der ISO 14903 entsprechen.

Europäische Entsorgungsspezifikationen

Diese Kennzeichnung, die auf dem Produkt oder seiner Fachliteratur abgebildet ist, weist darauf hin, dass Elektro- und Elektronik-Altgeräte nicht mit dem allgemeinen Hausmüll vermischt werden dürfen



Korrekte Entsorgung dieses Produkts (Elektro- und Elektronik-Altgeräte)

Dieses Gerät enthält Kältemittel und andere potenziell gefährliche Stoffe. Wenn Sie dieses Gerät entsorgen möchten, erfordert das Gesetz eine besondere Abfuhr und Behandlung. Dieses Produkt NICHT wie Haushalts- oder Siedlungsabfälle entsorgen. Wenn Sie dieses Gerät entsorgen, gehen Sie folgendermaßen vor:

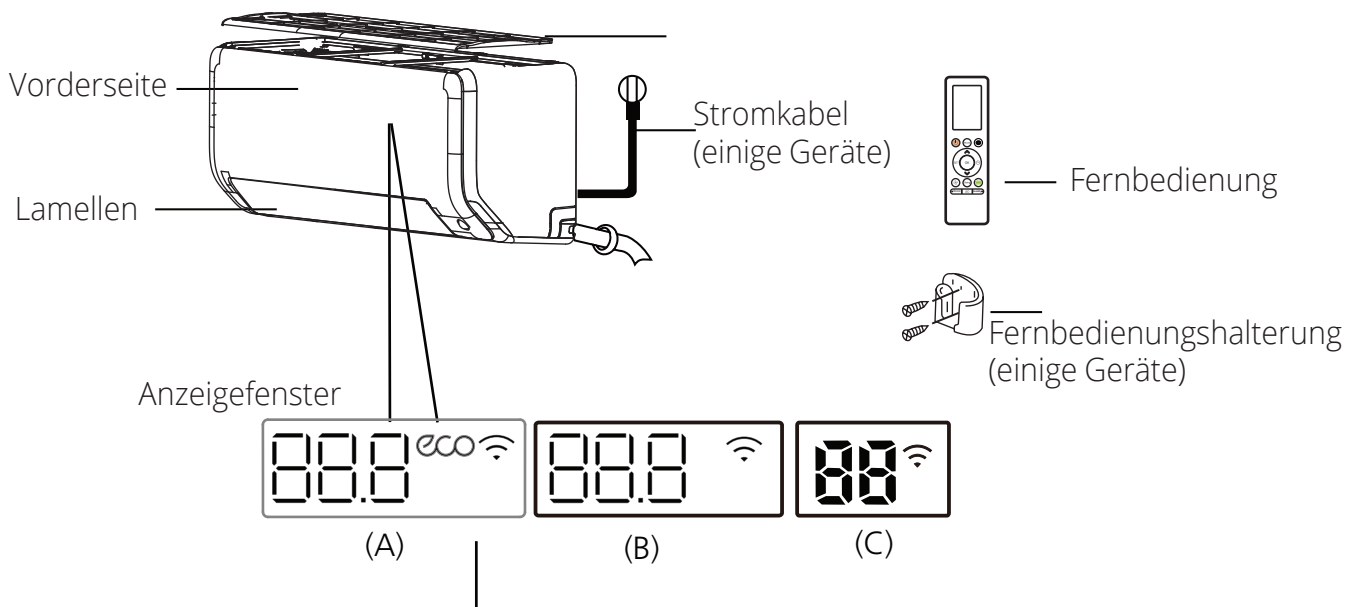
- Entsorgen Sie das Gerät in den dafür vorgesehenen Entsorgungsbehältern für Elektrogeräte.
- Wenn Sie ein neues Gerät kaufen, nimmt der Händler das alte Gerät kostenlos zurück.
- Der Hersteller nimmt das alte Gerät kostenlos zurück.
- Verkaufen Sie das Gerät an einen zertifizierten Altmetallhändler

Besonderer Hinweis

Die Entsorgung dieses Geräts in Wäldern oder anderen natürlichen Umgebungen ist gesundheitsgefährdend und schädlich für die Umwelt. Gefahrstoffe können in das Grundwasser versickern und in die Nahrungskette gelangen.

Gerätespezifikationen und Merkmale

Installationszusammenfassung- Innengerät Display



«88.8» «88» Anzeige von Temperatur, Betriebsfunktion und Fehlercodes:

«01» für 3 Sekunden, wenn:

- TIMER ON ist eingestellt (wenn das Gerät AUS ist, bleibt es eingeschaltet, wenn TIMER ON eingestellt ist)
- Die Funktion FRESH , UV-C, SWING, TURBO , ECO, BREEZE AWAY, oder SILENCE ist eingeschaltet

«0F» für 3 Sekunden, wenn

- TIMER OFF ist eingestellt
- Die Funktion FRESH , UV-C, SWING, TURBO , ECO, BREEZE AWAY, oder SILENCE ist deaktiviert

«dF» beim Abtauen (für Kühl- und Heizeinheiten)

«CL» wenn die Funktion "Aktives Reinigen" eingeschaltet ist (bei geteiltem Umrichtertyp), wenn die Funktion "Selbstreinigung" eingeschaltet ist (bei Typ mit fester Drehzahl)

«FP» wenn der 8°C (46°F)-Heizmodus eingeschaltet ist (einige Geräte)

«ECO» wenn die ECO-Funktion aktiviert ist (einige Einheiten)

«» wenn die drahtlose Steuerungsfunktion aktiviert ist (einige Geräte)

Bedeutung der Anzeigecodes

HINWEIS: Verschiedene Modelle haben unterschiedliche Frontplatten und Anzeigefenster. Nicht alle unten beschriebenen Anzeigen sind für das von Ihnen gekaufte Klimagerät erhältlich. Bitte überprüfen Sie das Innenausstellungsfenster des von Ihnen gekauften Geräts. Die Abbildungen in diesem Handbuch dienen der Erläuterung. Die tatsächliche Form Ihrer Inneneinheit kann leicht abweichen. Die tatsächliche Form ist maßgebend.

Betriebstemperatur

Wenn Ihr Klimagerät außerhalb der folgenden Temperaturbereiche verwendet wird, können bestimmte Sicherheitsschutzfunktionen aktiviert werden und zur Deaktivierung des Geräts führen.

	COOL Modus	HEAT Modus	DRY Modus
Raumtemperatur	17°C - 32°C (62°F - 90°F)	0°C - 30°C (32°F - 86°F)	10°C - 32°C (50°F - 90°F)
Außentemperatur	0°C - 50°C (32°F - 122°F)	-15°C - 24°C (5°F - 75°F)	0°C - 50°C (32°F - 122°F)
	-15°C - 50°C (5°F - 122°F) (Für Modelle mit Niedrigtemperatur- Kühlsystemen)		
	0°C - 52°C (32°F - 126°F) (Für spezielle tropische Modelle)		0°C - 52°C (32°F - 126°F) (Für spezielle tropische Modelle)

FÜR AUßENGERÄTE MIT GRUNDHEIZUNG ODER KURBELGEHÄU- SEHEIZUNG

Wenn die Außentemperatur unter 0°C (32°F) liegt, empfehlen wir dringend, das Gerät immer eingesteckt zu lassen, um einen reibungslosen Ablauf zu gewährleisten.

HINWEIS: Relative Raumluftfeuchtigkeit weniger als 80%. Wenn das Klimagerät über diesen Wert hinaus arbeitet, kann die Oberfläche des Klimageräts Kondenswasser anziehen. Bitte stellen Sie die vertikale Luftstromjalousie auf ihren maximalen Winkel ein (vertikal zum Boden) und stellen Sie den Lüftermodus HOCH ein.

Um die Leistung Ihrer Einheit weiter zu optimieren, gehen Sie wie folgt vor:

- Halten Sie Türen und Fenster geschlossen.
- Den Energieverbrauch durch die Funktionen TIMER ON und TIMER OFF begrenzen.
- Lüftein- und -auslässe nicht blockieren.
- Regelmäßige Inspektion und Reinigung der Luftfilter.

Ein Handbuch zur Verwendung der Infrarotfernbedienung ist in diesem Literaturpaket nicht enthalten. Für das Klimagerät stehen nicht alle Funktionen zur Verfügung, bitte überprüfen Sie die Innenanzeige und die Fernbedienung der von Ihnen erworbenen Einheit.

Andere Merkmale

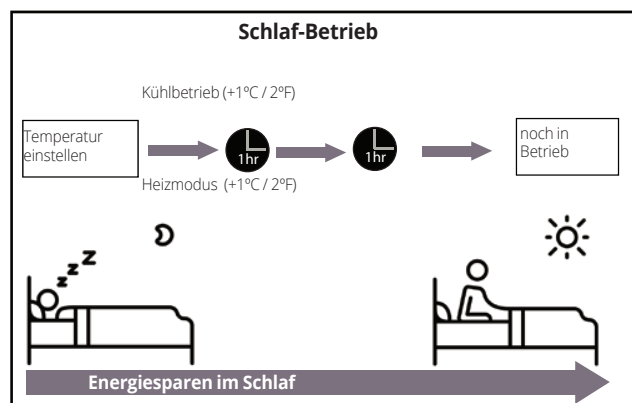
- **Automatischer Neustart** : Wenn das Gerät die Stromversorgung verliert, startet es automatisch wieder mit den vorherigen Einstellungen, sobald die Stromversorgung wiederhergestellt wurde.
- **Anti-Schimmelpilz (einige Geräte)** : Beim Ausschalten des Geräts von COOL, AUTO(COOL), oder DRY-Modus, arbeitet die Klimaanlage weiterhin mit sehr geringer Leistung, um Kondenswasser zu trocknen und Schimmelbildung zu verhindern.
- **Wireless Control**: Die drahtlose Steuerung ermöglicht es Ihnen, Ihre Klimaanlage über Ihr Mobiltelefon und eine drahtlose Verbindung zu steuern. Für den Zugriff auf das USB-Gerät, den Austausch und die Wartung müssen professionelle Mitarbeiter eingesetzt werden.
- **Lamellenwinkel-Speicher**: Wenn Sie Ihre Einheit einschalten, nimmt die Lamellen automatisch ihren vorherigen Winkel wieder ein.
- **Aktive Clean-Funktion (einige Geräte)** :
 - Die Active Clean Technology entfernt Staub, Schimmel und Fett, die Gerüche verursachen können, wenn sie am Wärmetauscher haften, indem sie den Frost automatisch einfriert und dann schnell wieder auftaut. Ein "pi-pi"-Geräusch ist zu hören. Der aktive Reinigungsvorgang wird verwendet, um mehr Kondenswasser zu erzeugen, um den Reinigungseffekt zu verbessern, und die kalte Luft wird ausgeblasen. Nach der Reinigung arbeitet das innere Windrad dann weiter mit Heißluft, um den Verdampfer zu blasen und so das Wachstum von Schimmel zu verhindern und das Innere sauber zu halten.
 - Wenn diese Funktion eingeschaltet ist, erscheint im Anzeigefenster der Inneneinheit "CL", nach 20 bis 45 Minuten schaltet sich die Einheit automatisch aus und bricht die aktive Reinigungsfunktion ab.
- **Diese Funktion** vermeidet einen direkten Luftstrom, der auf den Körper bläst, und gibt Ihnen das Gefühl, in seidiger Kühle zu schweben.
- **Kältemittel-Leckage-Erkennung** : Die Inneneinheit zeigt automatisch "ELOC" an, wenn sie ein Kältemittelleck feststellt.

- **Schlaf-Betrieb** : Die SLEEP-Funktion dient dazu, den Energieverbrauch während des Schlafs zu senken (und benötigt nicht die gleichen Temperatureinstellungen, um komfortabel zu bleiben). Diese Funktion kann nur über die Fernbedienung aktiviert werden. Die Sleep-Funktion ist im FAN- oder DRY-Modus nicht verfügbar.

Im COOL-Modus erhöht das Gerät die Temperatur nach einer Stunde um 1°C (2°F) und nach einer weiteren Stunde um weitere 1°C (2°F).

Im HEAT-Modus senkt das Gerät die Temperatur nach einer Stunde um 1°C (2°F) und nach einer weiteren Stunde um weitere 1°C (2°F).

Die Einschlaffunktion wird nach 8 Stunden beendet und das System läuft mit der endgültigen Situation weiter.



HINWEIS:

Bei Klimageräten mit mehreren geteilten Luftleitungen sind die folgenden Funktionen nicht verfügbar: Aktive Reinigungsfunktion, Silence-Funktion, Breeze away-Funktion, Kältemittelleckage-Erkennungsfunktion und Eco-Funktion..

• Einstellung des Winkels des Luftstroms

Einstellung des vertikalen Winkels des Luftstroms

Wenn das Gerät eingeschaltet ist, verwenden Sie die SWING-Taste auf der Fernbedienung, um die Richtung (vertikaler Winkel) des Luftstroms einzustellen. Weitere Informationen finden Sie im Handbuch der Fernbedienung.

HINWEIS ZU LAMELLENWINKELN

Bei Verwendung der Betriebsart COOL (KÜHLEN) oder DRY (TROCKEN) sollten die Lamellen nicht über längere Zeiträume in einem zu vertikalen Winkel eingestellt werden. Dies kann dazu führen, dass Wasser an der Jalousielamelle kondensiert, das auf den Boden oder die Einrichtung fällt.

Wenn Sie den Modus COOL (KÜHLEN) oder HEAT (HEIZEN) verwenden, kann eine zu senkrechte Einstellung der Jalousieklappe die Leistung des Geräts aufgrund des eingeschränkten Luftstroms verringern.

Einstellung des horizontalen Winkels des Luftstroms

Wenn das Gerät eingeschaltet ist, verwenden Sie die SWING-Taste auf der Fernbedienung, um die Richtung (horizontaler Winkel) des Luftstroms einzustellen. Einzelheiten entnehmen Sie bitte dem Fernbedienungshandbuch.

Bedienungsanleitung (ohne Fernbedienung)

⚠ VORSICHT

Die Taste « Manual » ist nur zu Testzwecken und für den Notbetrieb vorgesehen. Bitte benutzen Sie diese Funktion nicht, es sei denn, die Fernbedienung ist verloren gegangen und es ist absolut notwendig. Um den regulären Betrieb wiederherzustellen, verwenden Sie die Fernbedienung, um das Gerät zu aktivieren. Das Gerät muss vor dem manuellen Betrieb ausgeschaltet werden.

So bedienen Sie Ihr Gerät manuell:

1. Suchen Sie die Taste MANUAL CONTROL auf der rechten Seite des Geräts.

2. Drücken Sie die MANUAL CONTROL-Taste einmal, um den FORCED AUTO-Modus zu aktivieren.
3. Drücken Sie die Taste MANUAL CONTROL erneut, um den Modus FORCED COOLING (Zwangskühlung) zu aktivieren.
4. Drücken Sie ein drittes Mal die MANUAL CONTROL-Taste, um das Gerät auszuschalten.

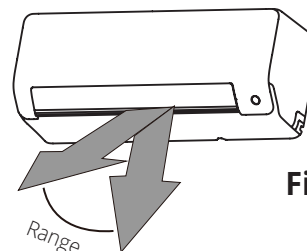


Fig. A

Hinweis: Bewegen Sie die Lamelle nicht manuell. Dies kann dazu führen, dass die Synchronisation der Lamelle verhindert wird. Schalten Sie in diesem Fall das Gerät aus, trennen Sie es einige Sekunden vom Netz und starten Sie es erneut. Dies setzt die Lamelle zurück.

⚠ VORSICHT

Halten Sie Ihre Finger nicht in die Nähe des Luftauslasses. Hohe Luftgeschwindigkeit im Gerät kann zu Verletzungen führen.

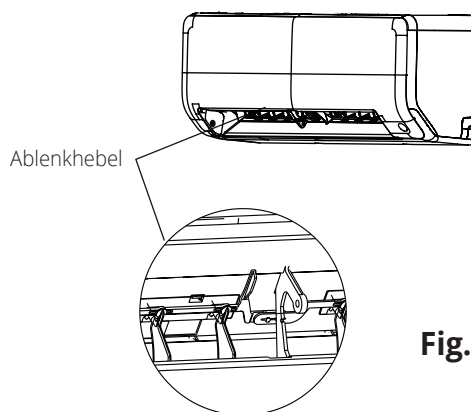


Fig. B

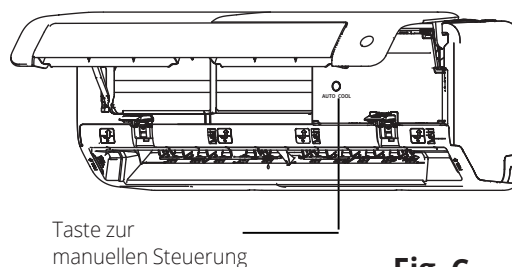


Fig. C

Pflege und Instandhaltung

Wie Sie die Inneneinheit reinigen sollen



VOR DER REINIGUNG ODER INSTANDHALTUNG

SCHALTEN SIE VOR REINIGUNGS- ODER INSTANDHALTUNGSARBEITEN IMMER IHR KLIMASYSTEM AUS UND ZIEHEN SIE DIE STROMVERSORGUNG AB.



VORSICHT

Verwenden Sie nur ein weiches, trockenes Tuch, um das Gerät sauber abzuwischen. Wenn das Gerät besonders verschmutzt ist, können Sie es mit einem in warmem Wasser eingeweichten Tuch abwischen.

- Zur Reinigung des Geräts dürfen keine Chemikalien oder chemisch behandelten Tücher verwendet werden.
- Zur Reinigung des Geräts kein Benzol, Farbverdünner, Polierpulver oder andere Lösungsmittel verwenden. Sie können dazu führen, dass die Kunststoffoberfläche reißt oder sich verformt.
- Verwenden Sie zur Reinigung der Frontplatte kein Wasser, das heißer als 40°C (104°F) ist. Dies kann zu einer Verformung oder Verfärbung der Frontplatte führen.

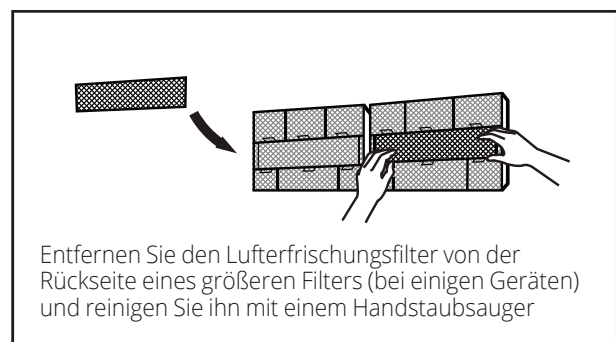
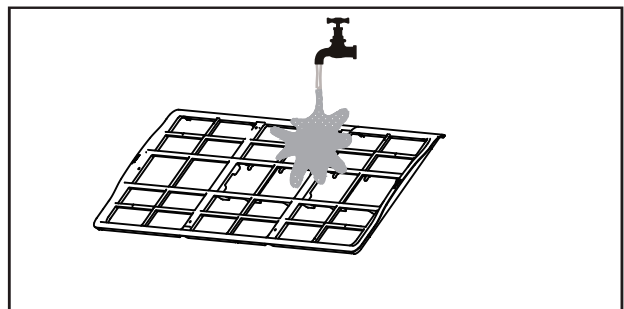
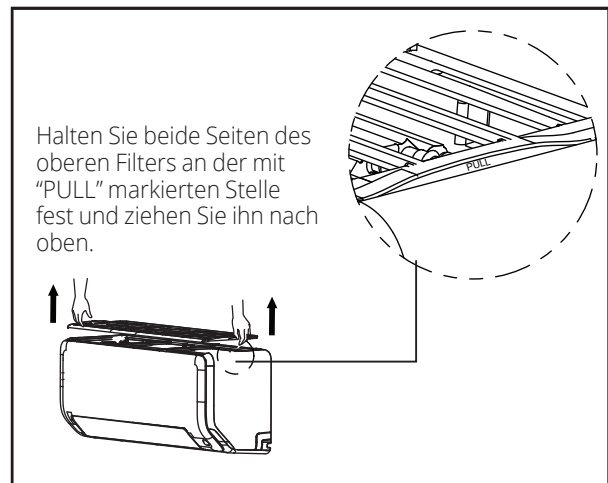
Reinigung Ihres Luftfilters

Wenn der Luftfilter verstopft ist, kann dies die Kühleffizienz Ihres Geräts beeinträchtigen und den Luftstrom unregelmäßig und zu laut werden lassen. Reinigen Sie den Luftfilter daher bitte so oft wie nötig. Sobald das anormale Geräusch des Luftstroms zu hören ist, reinigen Sie den Luftfilter bitte sofort.

1. Der Luftfilter befindet sich auf der Oberseite der Klimaanlage.
2. Halten Sie beide Seiten des oberen Filters an der mit "PULL" markierten Stelle fest und ziehen Sie ihn dann nach oben.
3. Wenn Ihr Filter kleine Lufterfrischungsfiler hat, entfernen Sie diese vom größeren Filter.

Reinigen Sie diese Lufterfrischungsfiler mit einem Handstaubsauger.

4. Reinigen Sie den großen Luftfilter mit warmem Seifenwasser. Achten Sie darauf, ein mildes Reinigungsmittel zu verwenden.
5. Spülen Sie den Filter mit frischem Wasser und schütteln Sie dann das überschüssige Wasser ab.
6. Trocknen Sie es an einem kühlen, trockenen Ort und setzen Sie es nicht dem direkten Sonnenlicht aus.
7. Wenn er trocken ist, befestigen Sie den Lufterfrischungsfiler wieder an dem größeren Filter und installieren Sie ihn dann wieder an der Inneneinheit.



⚠ VORSICHT

- Schalten Sie das Gerät vor dem Filterwechsel oder der Reinigung aus und trennen Sie es von der Stromversorgung.
- Berühren Sie beim Entfernen des Filters keine Metallteile im Gerät. Die scharfen Metallkanten können Sie verletzen.
- Zur Reinigung des Innenraums der Inneneinheit darf kein Wasser verwendet werden. Dies kann die Isolierung zerstören und einen elektrischen Schlag verursachen.
- Beim Trocknen den Filter nicht dem direkten Sonnenlicht aussetzen. Dies kann den Filter schrumpfen lassen.

Luftfiltererinnerungen (optional)

Luftfiltererinnerungen

Nach 240 Betriebsstunden, blinkt das Anzeigefenster der Inneneinheit «CL». Dies ist eine Erinnerung an die Reinigung Ihres Filters. Nach 15 Sekunden kehrt das Gerät zu seiner vorherigen Anzeige zurück.

Um die Erinnerungsfunktion zurückzusetzen, drücken Sie 4 Mal die LED-Taste auf Ihrer Fernbedienung oder 3 Mal die Taste MANUAL CONTROL. Wenn Sie die Erinnerung nicht zurücksetzen, blinkt die «CL»-Anzeige erneut, wenn Sie das Gerät neu starten.

Luftfilter-Austausch-Erinnerung

Nach 2.880 Betriebsstunden blinkt das Anzeigefenster der Inneneinheit «nF». Das ist eine Erinnerung an den Austausch Ihres Filters. Nach 15 Sekunden kehrt das Gerät zu seiner vorherigen Anzeige zurück.

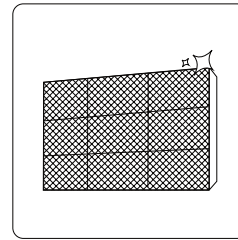
Um die Erinnerung zurückzusetzen, drücken Sie 4 Mal die LED-Taste auf Ihrer Fernbedienung oder 3 Mal die Taste MANUAL CONTROL. Wenn Sie die Erinnerung nicht zurücksetzen, blinkt die «nF»-Anzeige erneut, wenn Sie das Gerät neu starten.

⚠ VORSICHT

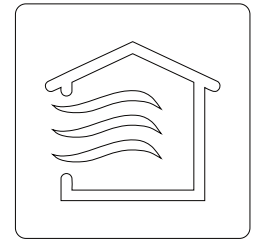
- Alle Wartungs- und Reinigungsarbeiten an der Außeneinheit sollten von einem autorisierten Händler oder einem lizenzierten Serviceanbieter durchgeführt werden.
- Alle Reparaturen am Gerät sollten von einem autorisierten Händler oder einem lizenzierten Serviceanbieter durchgeführt werden.

Instandhaltung - Langjährige Nichtbenutzung

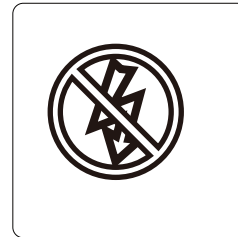
Wenn Sie Ihr Klimagerät über einen längeren Zeitraum nicht benutzen möchten, führen Sie die folgenden Schritte durch:



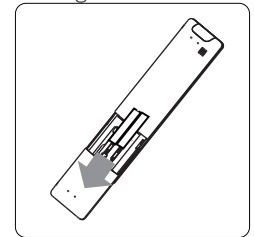
Alle Filter reinigen



FAN-Funktion einschalten, bis das Gerät vollständig ausgetrocknet ist



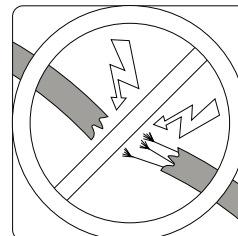
Schalten Sie das Gerät aus und trennen Sie die Stromversorgung



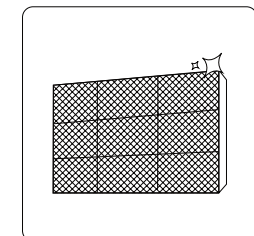
Batterien aus der Fernbedienung entfernen

Instandhaltung - Inspektion vor der Saison

Nach langen Perioden der Nichtbenutzung oder vor Zeiten häufigen Gebrauchs gehen Sie wie folgt vor:



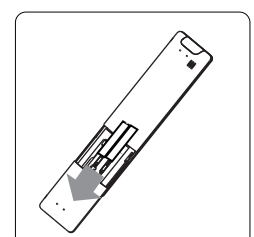
Prüfen auf beschädigte Kabel und Drähte



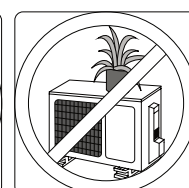
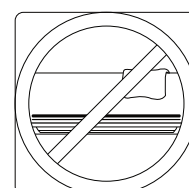
Alle Filter reinig



Auf Undichtigkeiten prüfen



Batterien austauschen



Stellen Sie sicher, dass alle Luftein- und -auslässe nicht blockiert sind

Fehlerbehebung

⚠ SICHERHEITSVORKEHRUNGEN

Wenn eine der folgenden Bedingungen eintritt, schalten Sie Ihr Gerät sofort aus!

- Das Netzkabel ist beschädigt oder ungewöhnlich warm
- Sie riechen einen Brandgeruch
- Das Gerät gibt laute oder ungewöhnliche Geräusche ab
- Eine Netzsicherung brennt durch, oder der Schutzschalter löst häufig aus
- Wenn Wasser oder andere Gegenstände in das Gerät oder aus dem Gerät fallen

VERSUCHEN SIE NICHT, DIESE SELBST ZU BEHEBEN! KONTAKTIEREN SIE SOFORT EINEN AUTORISIERTEN DIENSTLEISTER!

Allgemeine Fragen

Die folgenden Probleme stellen keine Störung dar und erfordern in den meisten Situationen keine Reparaturen.

Thema	Mögliche Ursachen
Gerät schaltet sich nicht ein, wenn Sie die ON/OFF-Taste drücken	Das Gerät hat eine 3-Minuten-Schutzfunktion, die eine Überlastung des Geräts verhindert. Das Gerät kann nicht innerhalb von drei Minuten nach dem Ausschalten neu gestartet werden.
Das Gerät wird vom Modus COOL/HEAT auf den Modus FAN umgeschaltet	Das Gerät kann seine Einstellung ändern, um die Bildung von Frost auf dem Gerät zu verhindern. Sobald die Temperatur steigt, wird das Gerät wieder in der zuvor gewählten Betriebsart arbeiten.
	Die eingestellte Temperatur ist erreicht, und das Gerät schaltet den Kompressor ab. Das Gerät arbeitet weiter, wenn die Temperatur wieder ändert.
Das Innengerät emittiert weißen Nebel	Ein großer Temperaturunterschied zwischen der Raumluft und der klimatisierten Luft kann in feuchten Regionen weißen Nebel verursachen.
Die Innen- und Außengeräte emittieren weißen Nebel	Wenn sich das Gerät nach dem Abtauen wieder im HEAT-Modus befindet, kann, aufgrund der durch den Abtauvorgang erzeugten Feuchtigkeit, weißer Nebel austreten.

Problema	Cauze posibile
Das Innengerät macht Geräusche	Es kann ein Geräusch der Luft auftreten, wenn die Lamellen ihre Position zurücksetzen.
	Nach dem Betrieb des Geräts im HEAT-Modus kann aufgrund der Ausdehnung und Kontraktion der Kunststoffteile des Geräts ein Quietschgeräusch auftreten.
Das Innengerät und das Außengerät machen Geräusche	Leiser Rauschen während des Betriebs: Dies ist normal und wird durch Kältemittelgas verursacht, das sowohl durch Innen- als auch durch Außengeräte strömt.
	Ein leises Zischgeräusch, wenn das System startet, gerade aufgehört hat zu laufen oder gerade auftaut: Dieses Geräusch ist normal und wird durch das Anhalten oder die Richtungsänderung des Kältemittelgases verursacht.
	Ein quietschendes Geräusch: Normale Ausdehnung und Kontraktion von Kunststoff- und Metallteilen, die durch Temperaturänderungen während des Betriebs verursacht werden, können Quietschgeräusche verursachen.
Das Außengerät macht Geräusche	Das Gerät gibt je nach seiner aktuellen Betriebsart unterschiedliche Geräusche ab.
Staub wird entweder von der Innen- oder Außeneinheit emittiert	Bei längerem Nichtgebrauch des Geräts kann sich Staub ansammeln, der beim Einschalten des Geräts freigesetzt wird. Dies kann gemildert werden, indem das Gerät während langer Inaktivitätsperioden abgedeckt wird.
Das Gerät gibt einen schlechten Geruch ab	Das Gerät kann Gerüche aus der Umgebung (z.B. Möbel, Kochen, Zigaretten usw.) absorbieren, die während des Betriebs freigesetzt werden.
	Die Filter des Geräts sind verschimmelt und sollten gereinigt werden.
Der Lüfter der Außeneinheit funktioniert nicht	Während des Betriebs wird die Ventilator Drehzahl gesteuert, um den Produktbetrieb zu optimieren.
Der Betrieb ist unregelmäßig, unvorhersehbar oder das Gerät reagiert nicht	Störungen durch Mobilfunkmasten und entfernte Verstärker können zu Fehlfunktionen des Geräts führen. In diesem Fall versuchen Sie Folgendes: <ul style="list-style-type: none"> • Strom ausschalten und dann wieder einschalten. • Drücken Sie die Taste ON/OFF auf der Fernbedienung, um den Betrieb wieder zu starten

HINWEIS: Wenn das Problem weiterhin besteht, wenden Sie sich an einen lokalen Händler oder das nächstgelegene Kundendienstzentrum. Geben Sie dort eine detaillierte Beschreibung der Störung des Geräts sowie Ihre Modellnummer an.

Fehlerbehebung

Probleme auftreten, überprüfen Sie bitte die folgenden Punkte, bevor Sie sich an eine Reparaturfirma wenden.

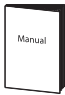


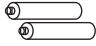







Problem	Mögliche Ursachen	Lösung
Mangelhafte Kühlleistung	Die Temperatureinstellung kann höher sein als die Umgebungsraumtemperatur	Die Temperatureinstellung senken
	Der Wärmetauscher an der Innen- oder Außeneinheit ist verschmutzt	Den betroffenen Wärmetauscher reinigen
	Der Luftfilter ist schmutzig	Entfernen Sie den Filter und reinigen Sie ihn nach den entsprechenden Anweisungen.
	Der Lufteinlass oder -auslass einer der beiden Geräte ist blockiert.	Schalten Sie das Gerät aus, entfernen Sie das Objekt und schalten Sie es wieder ein.
	Türen und Fenster sind geöffnet	Stellen Sie sicher, dass alle Türen und Fenster während des Betriebs des Geräts geschlossen sind.
	Durch Sonnenlicht wird übermäßige Wärme erzeugt	Fenster und Vorhänge in Zeiten mit großer Hitze oder starker Sonneneinstrahlung schließen
	Zu viele Wärmequellen im Raum (Menschen, Computer, Elektrogeräte usw).	Reduzieren Sie die Menge der Wärmequellen
	Niedriges Kältemittel aufgrund von Undichtigkeiten oder Langzeiteinsatz	Auf Undichtigkeiten prüfen, wenn nötig neu abdichten und Kältemittel nachfüllen
	Die Funktion SILENCE ist aktiviert (optionale Funktion)	Die SILENCE-Funktion kann die Produktleistung durch Verringerung der Betriebsfrequenz senken. Schalten Sie die Funktion SILENCE aus.

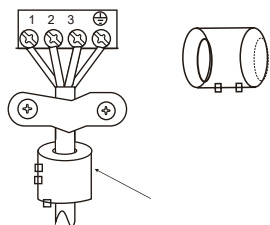
Problem	Mögliche Ursachen	Lösung
Das Gerät funktioniert nicht	Stromausfall	Auf die Wiederherstellung der Stromversorgung warten
	Die Stromversorgung ist ausgeschaltet	Schalten Sie den Strom ein
	Die Sicherung ist durchgebrannt	Ersetzen Sie die Sicherung
	Batterien der Fernbedienung sind leer	Batterien austauschen
	Der 3-Minuten-Schutz der Einheit wurde aktiviert	Warten Sie drei Minuten nach dem Neustart des Geräts
	Timer ist aktiviert	Timer ausschalten
Das Gerät startet und stoppt häufig	Es befindet sich zu viel oder zu wenig Kältemittel im System	Prüfen Sie das System auf Undichtigkeiten und füllen Sie es mit Kältemittel nach.
	In das System ist inkompressibles Gas oder Feuchtigkeit eingedrungen.	Das System evakuieren und mit Kältemittel auffüllen
	Der Kompressor ist defekt	Den Kompressor austauschen
	Die Spannung ist zu hoch oder zu niedrig	Installieren Sie ein Manostat zur Regelung der Spannung
Schlechte Heizleistung	Die Außentemperatur ist extrem niedrig	Zusatzheizgerät verwenden
	Durch Türen und Fenster tritt kalte Luft ein	Stellen Sie sicher, dass alle Türen und Fenster während der Benutzung geschlossen sind
	Niedriges Kältemittel aufgrund von Leckagen oder Langzeiteinsatz	Auf Undichtigkeiten prüfen, wenn nötig neu abdichten und Kältemittel nachfüllen
Anzeigeleuchten blinken weiter	Das Gerät kann den Betrieb einstellen oder sicher weiterlaufen. Wenn die Anzeigelampen weiterhin blinken oder Fehlercodes erscheinen, warten Sie etwa 10 Minuten. Das Problem kann sich von selbst lösen. Wenn dies nicht der Fall ist, trennen Sie die Stromversorgung und schließen Sie sie dann wieder an. Schalten Sie das Gerät ein. Wenn das Problem weiterhin besteht, trennen Sie den Strom und wenden Sie sich an den nächstgelegenen Kundendienst.	
In der Fensteranzeige der Inneneinheit erscheint der Fehlercode und beginnt mit den Buchstaben wie folgt: <ul style="list-style-type: none"> • E(x), P(x), F(x) • EH(xx), EL(xx), EC(xx) • PH(xx), PL(xx), PC(xx) 		

HINWEIS: Wenn Ihr Problem nach Durchführung der oben genannten Prüfungen und Diagnosen weiterhin besteht, schalten Sie Ihr Gerät sofort aus und wenden Sie sich an ein autorisiertes Servicezentrum.

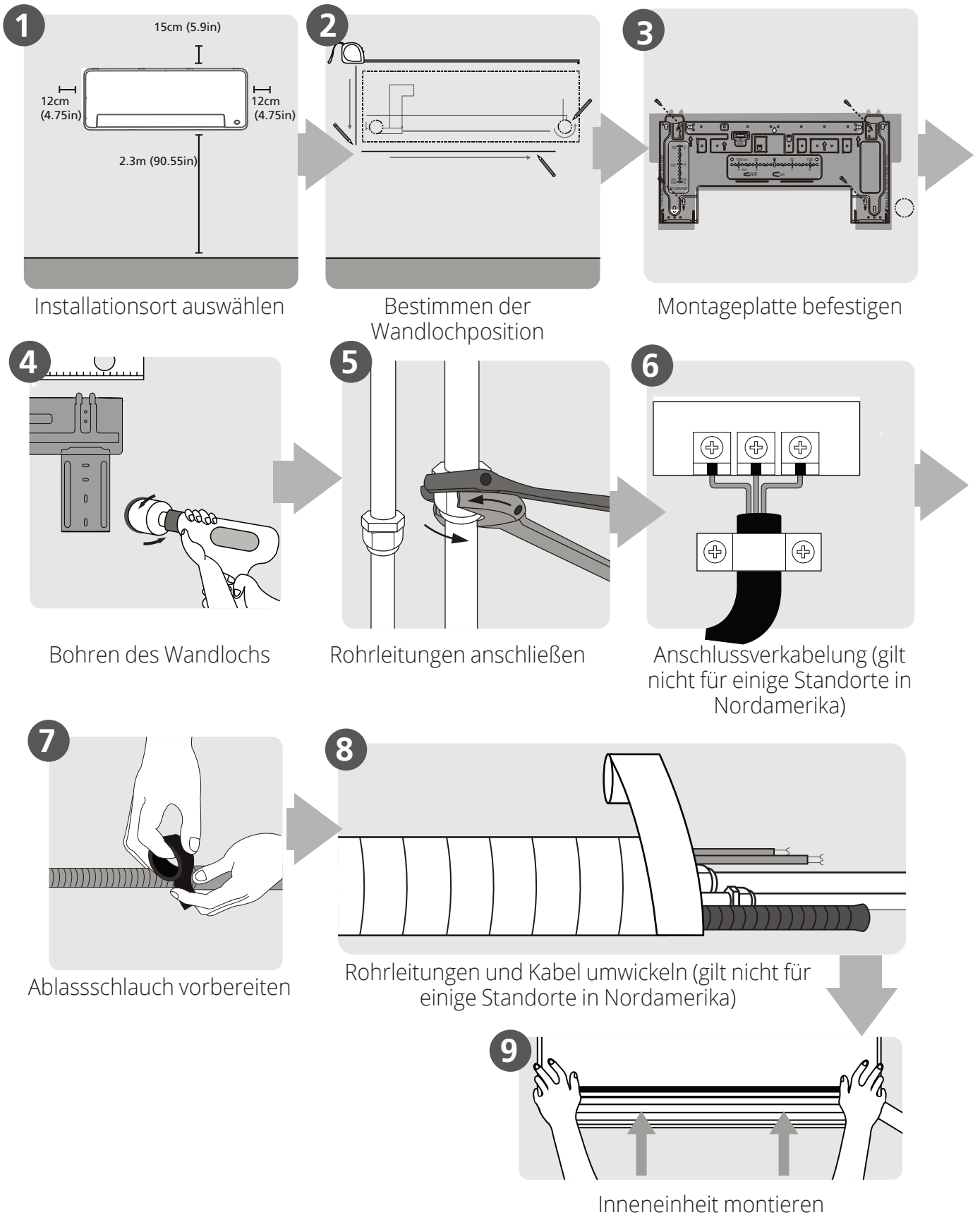
Zubehör

Die Klimaanlage wird mit folgendem Zubehör geliefert. Verwenden Sie alle Installationsteile und Zubehörteile für die Installation der Klimaanlage. Eine unsachgemäße Installation kann zu Wasseraustritt, Stromschlag und Feuer führen oder einen Ausfall der Anlage verursachen. Die Teile, die nicht im Lieferumfang der Klimaanlage enthalten sind, müssen separat erworben werden.

Name	Anzahl	Form	Name	Anzahl	Form
Manual	2-3		Fernbedienung	1	
Drain joint (for cooling & heating models)	1		Trockenbatterie	2	
Dichtung	1		Fernbedienungshalterung	1	
Wandhalterung	1		Befestigungsschraube für die Fernbedienungshalterung	2	
Dübel	5~8 (depending on models)		Small Filter (Need to be installed on the back of main air filter by the authorized technician while installing the machine)	1~2 (depending on models)	
Befestigungsschraube	5~8 (depending on models)				

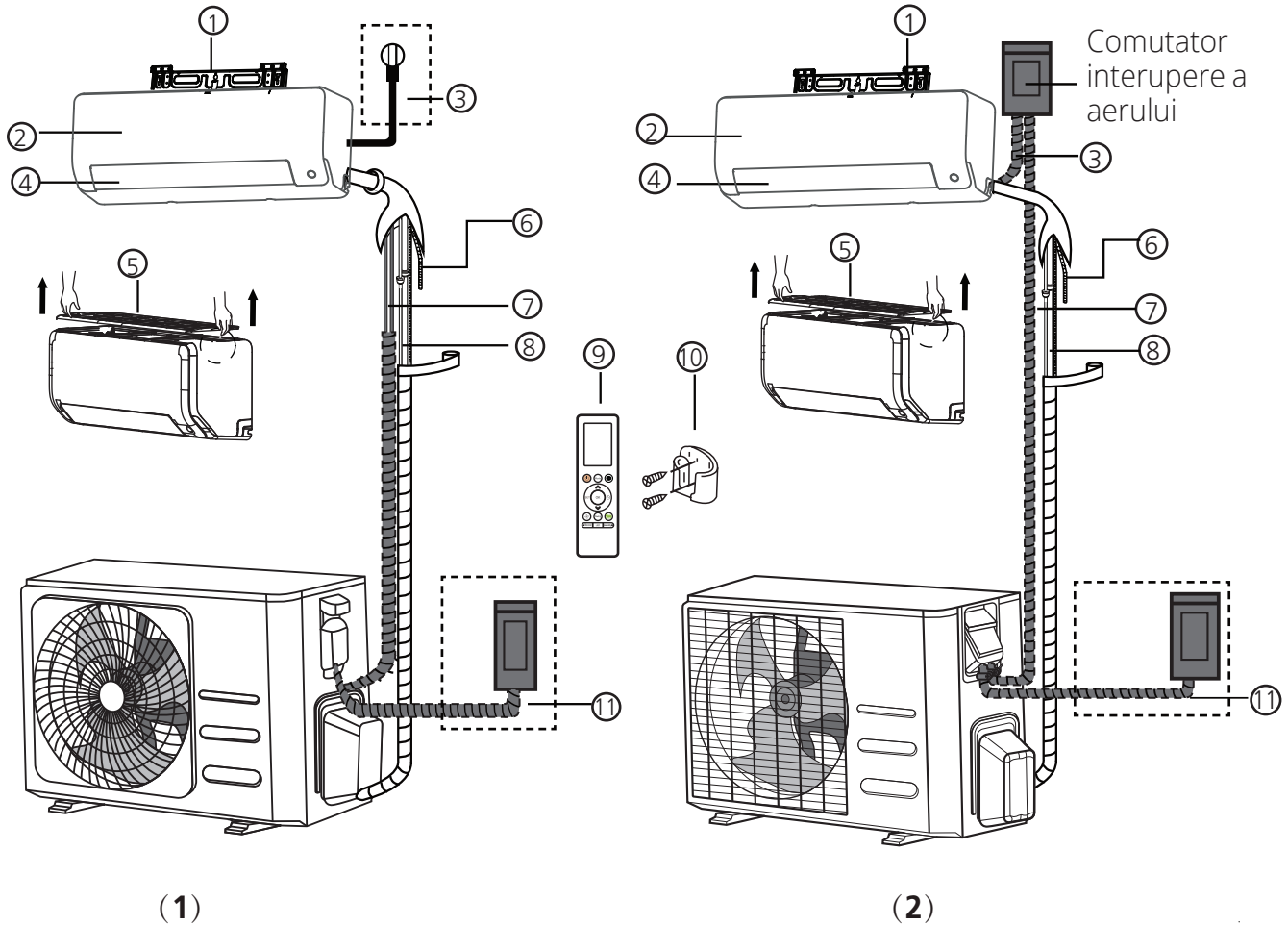
Nume	Forma	Cantitate (PC)	
Anschluss Rohrverbindungen	Flüssigkeitsseite	Bauteile, die Sie kaufen müssen. Beraten Sie sich mit unserem Vertreter wegen der Rohrquerschnitte	
			Φ 6.35 (1/4in)
			Φ 9.52 (3/8in)
	Gasseite		Φ 9.52 (3/8in)
			Φ 12.7 (1/2in)
Φ 16 (5/8in)			
	Φ 19 (3/4in)		
Magnetring (Ziehen Sie das Band durch die Öffnung des Magnetings, um das Kabel zu befestigen)		Variiert nach Modell	

Installationsübersicht – Inneneinheit



Geräteteile

HINWEIS: Die Installation muss gemäß den Anforderungen der örtlichen und nationalen Normen erfolgen. Die Installation kann regional geringfügig abweichen.



- | | | |
|-----------------------------------|---|--|
| ① Wandmontageblech | ⑤ Funktionsfilter (vor dem Hauptfilter - bei einigen Geräten) | ⑨ Fernbedienung |
| ② Front | ⑥ Ablaufrohr | ⑩ Fernbedienungshalterung (bei einigen Geräten) |
| ③ Netzkabel (bei einigen Geräten) | ⑦ Signalkabel | ⑪ Netzkabel für das Außengerät (bei einigen Geräten) |
| ④ Luftklappe | ⑧ Kältemittelleitung | |

HINWEIS ZU DEN ABBILDUNGEN

Die Abbildungen in diesem Handbuch dienen Veranschaulichungszwecken. Die tatsächliche Form des Innengeräts kann etwas abweichen. Die tatsächliche Form ist vorherrschend.

Installation Inneneinheit

Installationsanleitung - Inneneinheit

WICHTIG BEI DER INSTALLATION

Vergewissern Sie sich vor der Installation des Innengeräts, dass die auf dem Schild der Produktverpackung angegebene Modellnummer der Inneneinheit mit der Modellnummer der Außeneinheit übereinstimmt.

1. Schritt: Wählen Sie einen Installationsort.

Bevor Sie das Innengerät installieren, müssen Sie einen geeigneten Standort auswählen. Folgende Voraussetzungen helfen Ihnen bei der Auswahl des geeigneten Standorts.

Für einen korrekten Installationsort folgen Sie folgenden Anweisungen:

- Gute Luftumwälzung
- Ausreichende Entwässerungsfähigkeit
- Der Lärm des Geräts ist für Anwesende nicht störend
- Stabiler und robuster Standort, um Vibrationen zu vermeiden
- Stabil genug, um das Gewicht des Geräts zu tragen
- Standort mindestens 1 Meter von elektrischen Geräten entfernt (z.B. TV, Radio, Computer)

Gerät NICHT an folgenden Orten installieren:

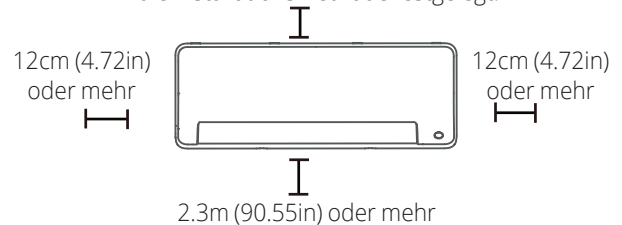
- ⊗ Neben entzündlichen Gegenständen wie Vorhänge oder Kleidungsstücke
- ⊗ Neben Hindernissen, die die Luftzirkulation blockieren können
- ⊗ Neben Türöffnungen
- ⊗ In Bereichen, die der direkten Sonneneinstrahlung ausgesetzt sind

NOTA DESPRE GAURA DE PERETE:

Daca nu exista conducte fixe de agent frigorific: In timp ce alegeti o locatie, retineti ca ar trebui sa lasati un spatiu suficient pentru o gaura de perete (consultati Gaura de perete pentru pasul conductei conective) pentru cablul de semnal si conductele de agent frigorific care conecteaza unitatile interioare si exterioare. Pozitia implicita pentru toate conductele este partea dreapta a unitatii interioare (in timp ce este orientata spre unitate). Cu toate acestea, unitatea poate gazdui conducte atat la stanga cat si la dreapta.

Überprüfen Sie anhand des folgenden Diagramms den angemessenen Abstand zu Wänden und Decke:

Der Abstand von der Decke wird durch die Installationsmethode festgelegt.



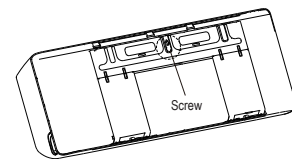
HINWEIS:

• Wenn keine Rückenhalterung zum Abstützen der Einheit erforderlich ist:

Beenden Sie die Rohr- und Kabelverbindungen, bevor Sie die Inneneinheit an der Wand montieren. Wenn die Installationshöhe begrenzt ist, sind 5 cm von der Decke zulässig, dies kann jedoch die Produktleistung beeinträchtigen. Um genügend Platz für den Ein- und Ausbau des oberen Luftfilters zu gewährleisten, halten Sie einen Mindestabstand von 10 cm oder mehr von der Decke ein.

• **Benötigen Sie den hinteren Halter, um das Gerät abzustützen:** Bei Anschlussrohr und Kabel mit offener Frontplatte beträgt der Mindestabstand von der Decke 22 cm oder mehr, bei Anschlussrohr und Kabel ohne Frontplatte (entfernen Sie diese) beträgt der Mindestabstand von der Decke 11 cm oder mehr.

Schritt 2: Montageplatte an der Wand befestigen



Die Montageplatte ist das Gerät, auf dem Sie die Inneneinheit montieren werden. Entfernen Sie die Schraube, mit der die Montageplatte an der Rückseite der Inneneinheit befestigt ist. Befestigen Sie die Montageplatte mit den mitgelieferten Schrauben an der Wand. Stellen Sie sicher, dass die Montageplatte flach an der Wand anliegt.

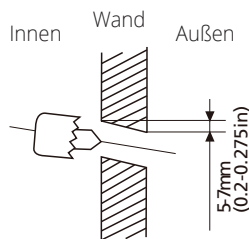
HINWEIS FÜR ZIEGEL-ODER BETONWÄNDE:

Wenn die Wand aus Ziegeln, Beton oder ähnlichen Materialien konstruiert ist, bohren Sie Löcher mit einem Durchmesser (0,2 Zoll) in die Wand und setzen Sie die mitgelieferten Befestigungsdübel ein. Bringen Sie anschließend die Montageplatte an die Wand an, indem Sie die Befestigungsclips anschrauben.

3. Schritt: Bohren Sie ein Loch in die Wand für die Verbindungsleitung

Sie müssen ein Durchführungsloch in die Wand für Kältemittelleitung, Abflussschlauch und Signalkabel bohren, das das Innengerät mit dem Außengerät verbindet.

- Bestimmen Sie die Position des Durchführungslochs an der Wand gemäß der Position der Montageplatte. Siehe Montageplatten-Abmessungen im nächsten Schritt, um die optimale Position zu bestimmen. Das Loch an der Wand sollte einen Durchmesser von mindestens 65 mm (2.5 Zoll) haben und nach der Außenseite hin ein nach unten verlaufen damit ein Wasserablauf stattfinden kann.



- Verwenden Sie einen $\varnothing 65\text{mm}$ -Bohrer, um das Loch in die Wand zu bohren. Stellen Sie sicher, dass das Loch in einem senkrechten Winkel geöffnet ist, sodass das äußere Ende des Lochs um 5 mm bis 7 mm (0,2-0,275 Zoll) unter dem inneren Ende liegt. Dies stellt den notwendigen Wasserablauf sicher. (Siehe Abb. 4.2)
- Befestigen Sie die Schutzabdeckung über dem Loch an. Dies schützt die Ecken des Lochs und hilft bei der Abdeckung sobald Sie mit dem

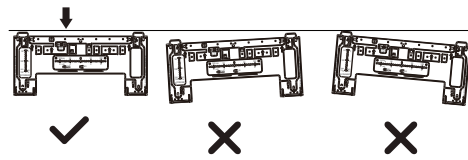
⚠ VORSICHT

Beim Bohren des Lochs in die Wand müssen Sie darauf achten, dass Sie fern von Kabeln, Wasserleitungen oder anderen empfindlichen Komponenten bleiben.

ABMESSUNGEN DER MONTAGEPLATTE

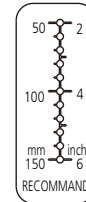
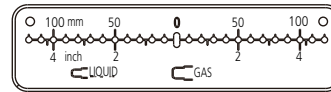
Verschiedene Modelle haben unterschiedliche Montageplatten. Zur Erleichterung der Installation gibt es auf der Montageplatte eine Wasserwaage mit eingravierten Abmessungen. Bitte installieren Sie die Platte und bohren Sie ein Wandloch entsprechend den Angaben auf der Montageplatte. Siehe die Abbildungen unten.

Korrekte Ausrichtung des Wandgeräts



Unit: mm(inch)

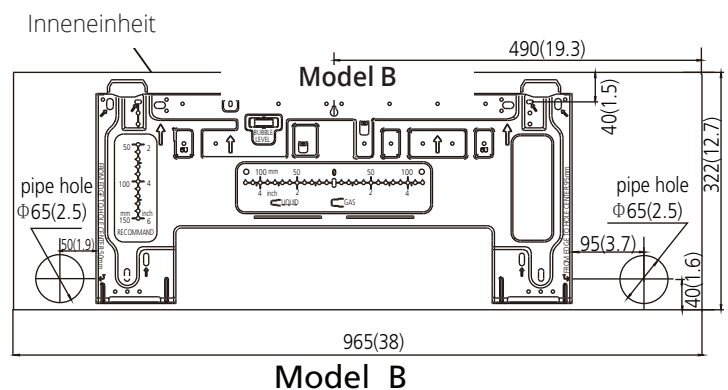
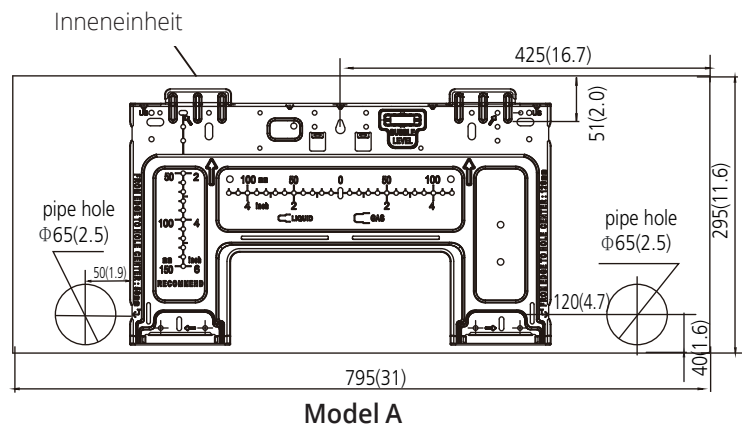
Lineal für horizontale Richtung

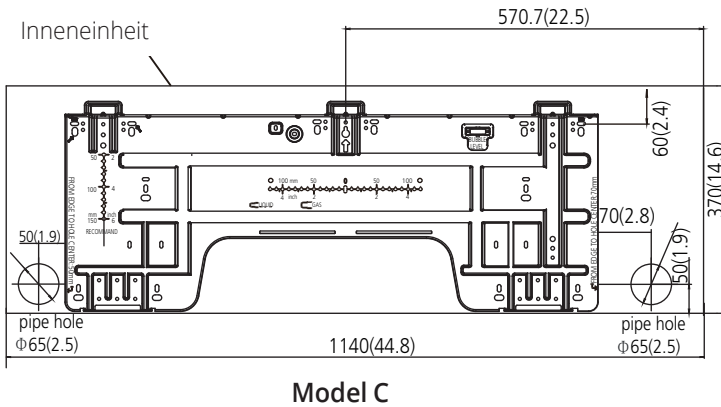


Lineal für vertikale Richtung



VORSICHT: Die Wasserwaage auf der Montageplatte kann nicht entfernt werden. Wenn sie gebrochen ist, stellen Sie sicher, dass der Umriss der auslaufenden Flüssigkeit gereinigt wird.





4. Schritt: Kältemittelleitung vorbereiten

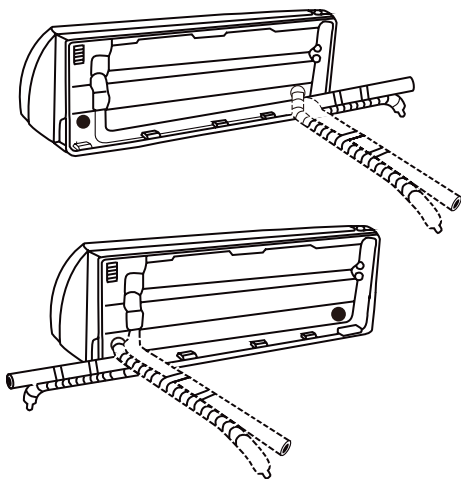
Die Kältemittelleitung befindet sich im geschützten Gehäuse auf der Rückseite des Geräts. Sie müssen die Rohrleitung vorbereiten, bevor Sie diese durch die Wand führen. Weitere Informationen bezüglich Öffnen, Drehung und technischen Daten der Leitung usw. finden Sie unter dem Abschnitt Kältemittelleitungsanschluss dieses Handbuchs.

HINWEIS ZUM LEITUNGSWINKEL

Die Kältemittelleitung kann aus 4 verschiedenen Winkeln aus dem Innengerät ausgehen:

- Linke Seite
- Linke hintere Seite
- Rechte Seite
- Rechte hintere Seite

Siehe Abb. für Einzelheiten



⚠ PRUDENTA

Achten Sie besonders darauf, dass keine Delle oder Beschädigung an der Leitung verursacht wird, wenn Sie diese aus dem Gerät ziehen. Dellen in der Leitung können die Gerätefunktion beeinträchtigen.

Wenn die Kältemittelleitung bereit ist die Wand zu durchdringen, gehen Sie wie folgt vor:

1. Schritt: Hängen Sie das Innengerät auf die Montageplatte ein:

1. Beachten Sie, dass die Haken an der Montageplatte kleiner sind als die Löcher auf der Rückseite des Geräts. Wenn Sie feststellen, dass Sie nicht genügend Platz im Raum haben, um die Rohrleitungen mit dem Innengerät zu verbinden, kann das Gerät je nach Modell um 30-55 mm (1.25-1.95 Zoll) nach links oder rechts verstellt werden.

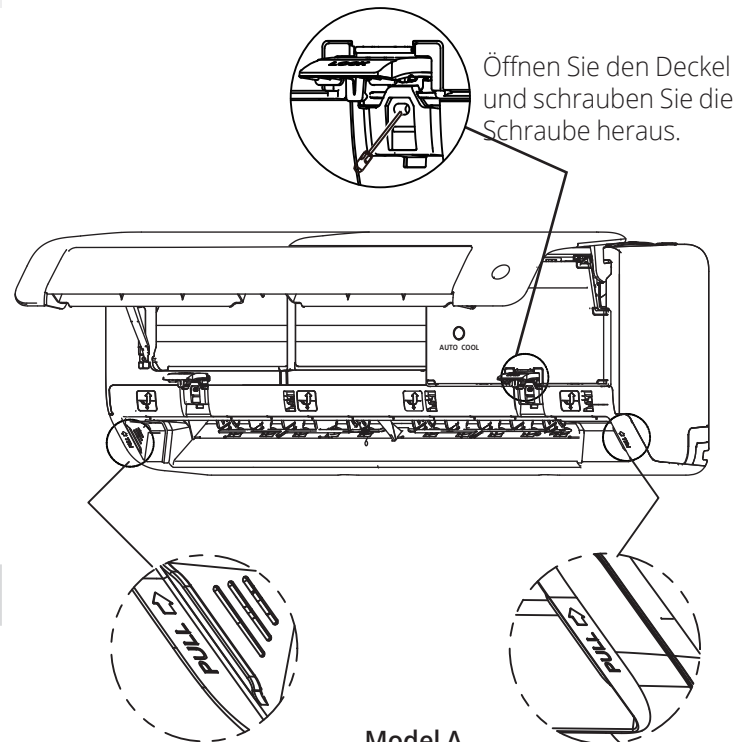


Nach links oder rechts bewegen

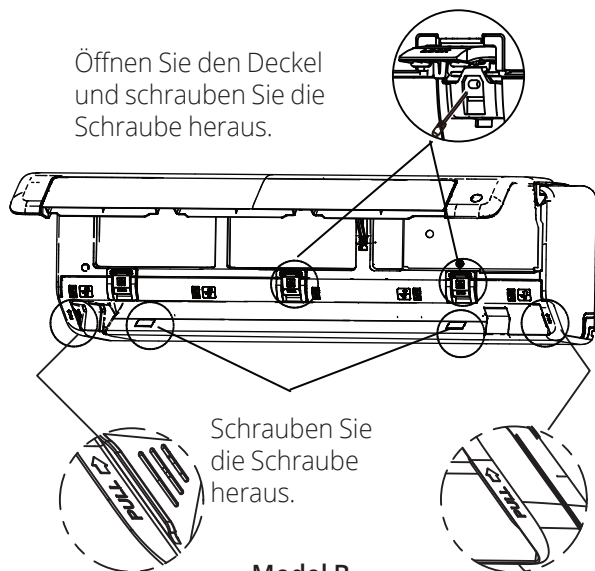
Schritt 2: Vorbereitung der Kältemittelleitung:

1. Demontage der Luftklappe:

Öffnen und fixieren Sie die Position der Platte, dann öffnen Sie die Abdeckungen der beiden Verriegelungsblöcke, schrauben Sie die im Bild unten gezeigte Schraube heraus, halten Sie dann beide Seiten der unteren Platte an der mit "PULL" markierten Stelle, ziehen Sie sie nach oben, um die Schnallen zu lösen, und nehmen Sie dann die untere Platte nach unten.



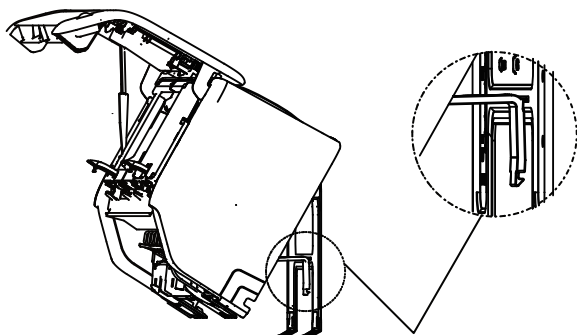
Öffnen Sie den Deckel und schrauben Sie die Schraube heraus.



Schrauben Sie die Schraube heraus.

Model B

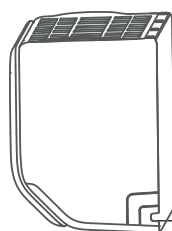
2. Frontblende öffnen und Position anpassen. Als erstes, lösen Sie die beiden Schrauben, die in folgender Abbildung gezeigt werden, öffnen Sie dann die Frontblende und passen Sie die Position der Frontblende an, damit diese einrastet



Verwenden Sie den Halter an der Rückseite des Geräts gegen die Montageplatte, um das Gerät abzustützen.

Ist keine Kältemittelleitung in der Wand eingebaut, gehen Sie wie folgt vor:

1. Wählen Sie anhand der Position des Wandlochs relativ zur Montageplatte die Seite aus, von der aus die Leitung aus der Einheit ausgehen soll.
2. Wenn sich das Loch hinter dem Gerät befindet, behalten Sie die abnehmbare Platte dort. Befindet sich das Loch auf der Seite des Innengeräts, entfernen Sie die abnehmbare Kunststoffplatte von dieser Seite des Geräts. (Siehe Abb. 4.8). Dadurch entsteht eine Lücke, durch welche die Leitung aus der Einheit geführt werden kann. Verwenden Sie eine Spezialzange, wenn sich die Kunststoffplatte nur schwer von Hand entfernen lässt.



Panou knock-out (taiati in functie de dimensiunea reala necesara)



Daca este necesar sa taiati panoul de plastic de dimensiuni mari, taiati asa cum se arata mai sus.

3. Verwenden Sie eine Schere, um die Länge des Isolierbandes abzuschneiden, wobei etwa 15 cm (6 Zoll) des Kühlmittelrohrs verbleiben sollen. Dies dient 2 Zwecken:

- den Verbindungsvorgang der Kältemittelleitung zu erleichtern
- die Überprüfung auf Leckagen und Dellen zu erleichtern

4. Schließen Sie die Kältemittelleitung des Innengeräts an die Verbindungsleitung zwischen Innen- und Außengerät an. Weitere Informationen finden Sie in diesem Handbuch unter dem Abschnitt Kältemittelleitungsanschluss.

5. Anhand der Position des Wandlochs relativ zur Montageplatte bestimmen Sie den erforderlichen Winkel der Leitung.

6. Greifen Sie die Kältemittelleitung am Fuß der Krümmung.

7. Langsam, fast ohne jeglichem Druck, biegen Sie die Leitung zum Loch. Während des Vorgangs die Leitung NICHT vertiefen oder beschädigen.

3. Schritt Die Ablaufbuchse und die Kältemittelleitung anschließen (Anweisungen dazu finden Sie im Abschnitt Kältemittelleitung dieses Handbuchs)

4. Schritt. Halten Sie die Anschlussstelle der Leitung frei, um die Leckkontrolle durchzuführen (siehe dazu Abschnitt Überprüfung auf Fehlerstrom und Flüssigkeitslecks in diesem Handbuch).

5. Schritt Nach der Überprüfung auf Lecks die Anschlussstelle mit Isolierband umwickeln.

6. Schritt. Entfernen Sie das Teil dass das Isolierband trägt.

7. Schritt Üben Sie Druck aus, indem Sie die Mitte des Geräts nach unten drücken. Drücken Sie weiter nach unten, bis das Gerät an der Montageplatte einrastet.

Step 5: Connect drain hose

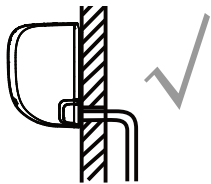
Standardmäßig ist der Ablaufschlauch an der linken Seite des Geräts angebracht (wenn Sie auf die Rückseite des Geräts blicken). Er kann jedoch auch an der rechten Seite angebracht werden. Um eine ordnungsgemäße Entwässerung zu gewährleisten, bringen Sie den Ablassschlauch auf der gleichen Seite an, auf der Ihre Kältemittelleitung aus dem Gerät austritt.

HINWEIS: An einigen Standorten in den USA, wenn die Maschine das Leitungspaneel installiert hat, wählen Sie bitte die rechtsseitige Entwässerung. Wickeln Sie den Anschlusspunkt fest mit Teflonband ein, um eine gute Abdichtung zu gewährleisten und Leckagen zu verhindern. Entfernen Sie den Luftfilter und gießen Sie eine kleine Menge Wasser in die Ablaufwanne, um sicherzustellen, dass das Wasser problemlos aus dem Gerät fließt.

! VERSTOPFEN SIE DIE NICHT VERWENDETE ABLAUFLEITUNG

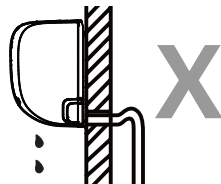
Um unerwünschte Lecks zu vermeiden, müssen Sie die nicht benutzte Ablaufleitung mit dem geeigneten Stopfen absperren.

- ⊗ Die Abflussleitung NICHT biegen.
- ⊗ Das Wasser NICHT einfangen lassen.
- ⊗ Das Abflussleitungsende NICHT im Wasser oder in einem Wassersammelbehälter platzieren.



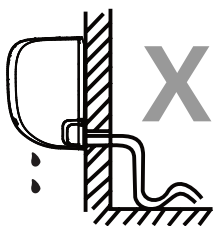
RICHTIG

Stellen Sie sicher, dass die Ablaufleitung keine Knicke oder Dellen aufweist, um den notwendigen Ablauf zu gewährleisten.



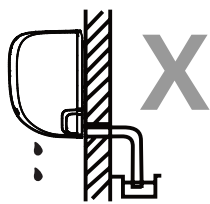
FALSCH

Knicke in der Ablaufleitung führen zur Ansammlung von Wasser.



FALSCH

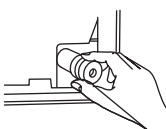
Knicke an der Ablaufleitung führen zur Ansammlung von Wasser.



FALSCH

Das Ablaufleitungsende nicht in Wasser bzw. in einen Wassersammelbehälter setzen. Dies kann zu einem Leck führen.

VERSCHLIEßEN DER UNBENUTZTEN ABFLUSSÖFFNUNG



Um unerwünschte Leckagen zu verhindern, müssen Sie das unbenutzte Abflussloch mit dem mitgelieferten Gummistopfen verschließen.

! BEVOR SIE MIT DEN ELEKTRISCHEN ARBEITEN BEGINNEN, LESEN SIE BITTE DIESE ANWEISUNGEN

1. Elektrische Anschlüsse müssen den örtlichen und nationalen Bestimmungen entsprechen und sollten von einer autorisierten Elektrofachkraft installiert werden.
2. Alle elektrischen Anschlüsse müssen dem elektrischen Schaltplan entsprechen, der sich auf den Rahmenelementen des Innen- und Außengeräts befindet.
3. Falls es ernsthafte Sicherheitsprobleme mit der Stromversorgung geben sollte, brechen Sie die Arbeiten sofort ab. Erklären Sie dem Kunden die Gründe und weigern Sie sich, die Installation des Geräts vorzunehmen, bis der Schaden behoben ist.
4. Die Stromspannung sollte zwischen 90% und 100% der Bemessungsspannung liegen. Eine unzureichende Stromversorgung kann zu Fehlfunktion, Stromschlag oder Brand führen.
5. Wenn Sie eine feste Verkabelung mit Strom versorgen, werden Sie gebeten einen Überspannungsableiter und einen Schutzschalter mit der 1,5-fachen Kapazität der maximalen Stromstärke des Geräts zu installieren.
6. Wenn Sie eine feste Verkabelung mit Strom versorgen muss ein Trennschalter oder Schutzschalter, der alle Pole trennt und einen Trennkontakt von mindestens 1/8 Zoll-(3 mm) aufweist, in die feste Verkabelung eingebaut werden. Die Fachkraft muss einen genehmigten automatischen Trennschalter verwenden.
7. Schließen Sie das Gerät an einen separaten Stromkreis an. Schließen Sie keine anderen Geräte an diese Steckdose an.
8. Stellen Sie sicher, dass die Klimaanlage ordnungsgemäß geerdet ist.
9. Jedes Kabel muss fest angeschlossen sein. Lose Anschlüsse können zu einer Überhitzung der Klemmleiste führen, was zu einer Fehlfunktion des Produkts und möglicherweise zu einem Brand führen kann.
10. Lassen Sie Kabelkontakte oder andere Teile nicht dem Kältekreislauf, dem Verdichter oder anderen beweglichen Teilen des Geräts ausgesetzt.
11. Wenn das Gerät über einen Zusatzheizkörper verfügt, muss es in einem Abstand von mindestens 1 Meter (40 Zoll) von entzündlichen Materialien installiert werden.

⚠️ WARNUNG

VOR DER DURCHFÜHRUNG VON ELEKTRO- ODER ELEKTRONIKARBEITEN MÜSSEN SIE DIE STROMVERSORGUNG VOM SYSTEM TRENNEN.

6. Schritt: Signalkabel anschließen

Das Signalkabel ermöglicht die Kommunikation zwischen Außen- und Innengerät. Sie sollten zuerst die richtige Kabelgröße auswählen, bevor Sie den Anschluss durchführen.

Kabeltypen

- Innennetzkabel (falls zutreffend) H05V2V2-F
- Außennetzkabel H07RN-F
- Signalkabel: H07RN-F

Mindestkabelquerschnitt für Netz- und Signalkabel

Andere Bereiche

Gerätesspannung (A)	Kabelquerschnitt (mm ²)
> 3 und ≤ 6	0.75
> 6 und ≤ 10	1
> 10 und ≤ 16	1.5
> 16 und ≤ 25	2.5
> 25 und ≤ 32	4
> 32 und ≤ 40	6

RICHTIGE KABELGRÖSSE WÄHLEN

Die passende Größe des Netzkabels, des Signalkabels, der Sicherung und des Schalters hängen von der maximalen Stromstärke des Geräts ab. Angaben bezüglich der richtigen Kabelgröße, Sicherung bzw. Schalter entnehmen Sie bitte dem Schild an der Seite des Geräts.

1. Bereiten Sie das Kabel für den Anschluss vor:
 - A. Verwenden Sie eine Abisolierzange, entfernen Sie den Kunststoffmantel an beiden Enden des Kabels, so dass ca. 15 cm (6 Zoll) des Kabels freigelegt werden
 - B. Entfernen Sie die Isolierung von den Kabelenden.
 - C. Biegen Sie die Kabelenden mit einem Crimper U-förmig zurecht, indem Sie die Schrauben gemäß Abb. 4.7 lösen, so dass Sie ausreichend Platz für den Anschluss der Kabel haben.
2. Öffnen Sie die Kabelabdeckung um die Kabel

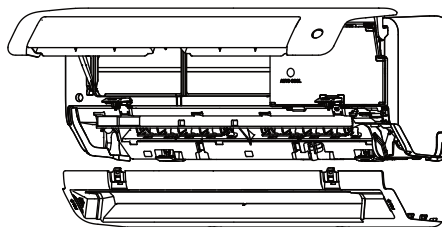
anzuschließen.

3. Schrauben Sie die Kabelschelle unter dem Terminal ab

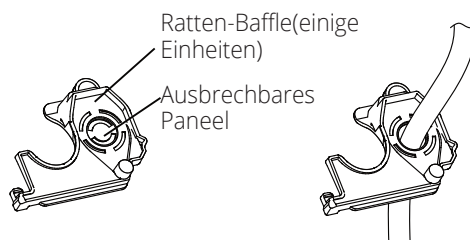
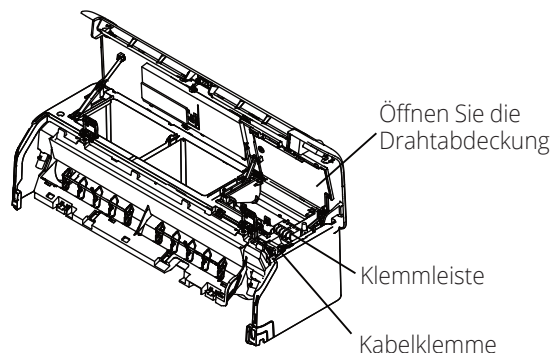
⚠️ WARNUNG

DIE GESAMTE VERKABELUNG MUSS VOLLSTÄNDIG MIT DEM SCHALTPLAN AUF DER INNENSEITE DER KABELABDECKUNG DER INNENEINHEIT ÜBEREINSTIMMEN.

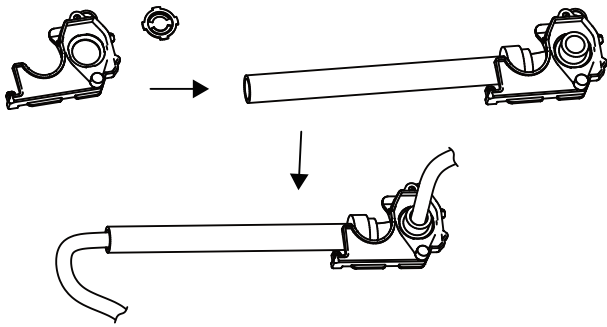
4. Entfernen Sie die Kunststoffplatte an der Unterseite der linken Seite, so wie Sie auf die Rückseite der Einheit blicken.
5. Führen Sie das Signalkabel durch diese Buchse von der Rückseite des Geräts nach vorne.
6. Mit Blick auf die Vorderseite des Geräts passen Sie die Farben der Kabel mit den Schildern an der Klemmleiste zusammen, schließen Sie die Kabelschuhe an und ziehen Sie für jedes Kabel die entsprechende Klemme fest.



Öffnen Sie zuerst die Frontplatte und entfernen Sie dann die untere Platte.



HINWEIS: Wenn die Größe des Kabels zu groß ist, entfernen Sie die mittlere kleine Kunststoff-Ausbrechplatte, um einen Schlitz zu schaffen, durch den das Kabel austreten kann. Wenn Sie das Chassis oder den Ablaufschlauch entfernen möchten, entfernen Sie bitte zuerst die Ratten-Umlenkplatte.



⚠ VORSICHT

VERWECHSELN SIE NICHT DIE PHASEN MIT DEM NEUTRALLEITER Dies ist gefährlich und kann zu Funktionsstörungen der Klimaanlage führen.

7. Nachdem Sie sich vergewissert haben, dass jede Verbindung sicher ist, verwenden Sie die Kabelschelle, um das Signalkabel an das Gerät anzuschließen. Ziehen Sie die Schrauben der Kabelschelle fest an.
8. Bringen Sie die Kabelabdeckung an der Vorderseite des Geräts und die Kunststoffabdeckung an der Rückseite wieder an.

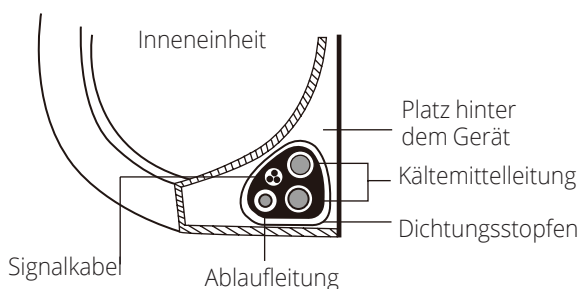
! HINWEIS ZUR VERKABELUNG

DER ELEKTRISCHE ANSCHLUSS KANN JE NACH GERÄT LEICHT ABWEICHEN.

7. Schritt: Kabel und Leitungen umwickeln

Bevor Sie die Leitung, die Ablaufleitung und das Signalkabel durch das Wandloch führen, müssen Sie diese bündeln, um Platz zu sparen, und den erforderlichen Schutz und Isolation zu gewährleisten.

1. Bündeln Sie die Ablaufleitung, die Kältemittelleitungen und das Signalkabel gemäß Abbildung



DIE ABLAUFLEITUNG MUSS UNTEN LIEGEN

Stellen Sie sicher, dass die Ablaufleitung im Bündel unten liegt. Liegt sie auf der oberen Seite, kann es zum Überlauf kommen, was zu Stromschlägen und Schäden führen kann.

SIGNALKABEL NICHT MIT ANDEREN KABELN VERFLECHTEN

Wenn Sie die Kabel miteinander bündeln, dürfen Sie das Signalkabel nicht mit anderen Kabeln verflechten oder überkreuzen

2. Befestigen Sie die Ablaufleitung mit Vinyl-Klebeband an der Unterseite der Kältemittelleitung.
3. Verwenden Sie ein Isolierband, bündeln Sie das Signalkabel, die Kältemittelleitungen und die Abflussleitung fest miteinander. Vergewissern Sie sich, dass alle Kabel gemäß Abb. 4.14 gebündelt sind

WICKELN SIE NICHT DIE ENDEN DER LEITUNGEN

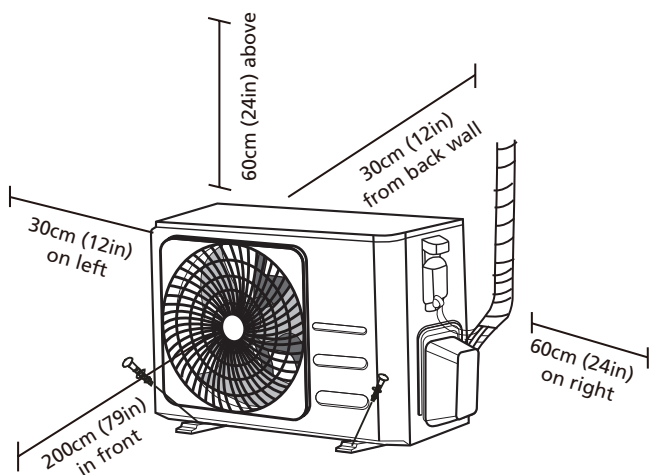
Lassen Sie beim Wickeln des Leitungsbündels die Rohrenden frei. Sie benötigen Zugang zu den Enden um nach Abschluss der Installationsarbeiten auf Lecks zu prüfen (siehe Abschnitt Elektrische Prüfung und Prüfung auf Lecks in diesem Handbuch

8. Schritt: Inneneinheit montieren

Wenn Sie neue Verbindungsleitungen zum Außengerät installiert haben, gehen Sie folgendermaßen vor:

1. Wenn Sie die Kältemittelleitung bereits durch den Wanddurchbruch geführt haben, fahren Sie mit Schritt 4.2 fort. Andernfalls vergewissern Sie sich noch einmal, dass die Enden der Kältemittelleitungen isoliert sind, um zu verhindern, dass Schmutz oder andere Gegenstände in die Leitungen gelangen.
3. Führen Sie das Bündel aus Kältemittelleitungen, Ablaufleitung und Signalkabel langsam durch das Wandloch.
4. Hängen Sie den oberen Teil des Innengeräts auf den oberen Haken der Montageplatte ein.
5. Versichern Sie sich, dass das Gerät fest auf der Montageplatte sitzt, indem Sie leichten Druck auf die linke und rechte Seite des Geräts ausüben. Das Gerät darf nicht wackeln oder sich verschieben.
6. Indem Sie gleichmäßig Druck ausüben, drücken Sie die untere Hälfte des Geräts nach unten. Drücken Sie weiter nach unten, bis das Gerät vollständig an der Unterseite der Montageplatte einrastet.
7. Überprüfen Sie erneut, dass das Gerät genau angepasst ist, indem Sie auf die linke und rechte Seite des Geräts leichten Druck ausüben.

Installation Außeneinheit



Installationsanleitung - Außengerät

1. Schritt Wählen Sie einen Installationsort

Bevor Sie das Außengerät installieren, müssen Sie einen geeigneten Platz auswählen. Die folgenden Vorgaben helfen Ihnen, einen geeigneten Standort für das Gerät auszuwählen.

Geeignete Installationsorte erfüllen folgenden Vorgaben:

- Sie erfüllen alle Anforderungen, wie in Abschnitt Spezifikationen des Installationsstandorts beschrieben
- Gute Luftzirkulation und Entlüftung
- Stabiler und robuster Standort, um Vibrationen zu vermeiden
- Der Lärm des Geräts wird die Anwesenden nicht stören
- Schutz vor langzeitiger Sonnenstrahlung oder Regen.
- Wenn Schneefall zu erwarten ist, heben Sie die Einheit über die Bodenplatte, um Eisbildung und Spulenschäden zu vermeiden. Montieren Sie die Einheit so hoch, dass sie über dem durchschnittlichen akkumulierten Flächenschneefall liegt. Die Mindesthöhe muss 18 Zoll betragen.

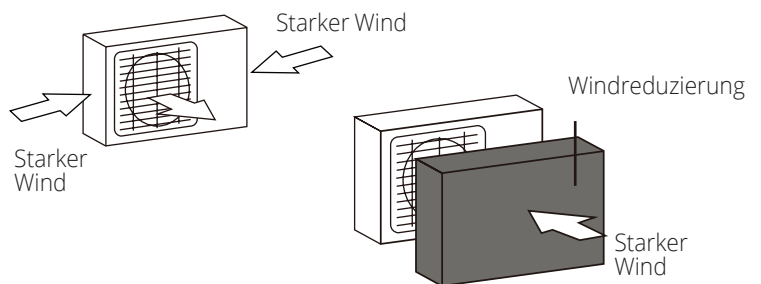
NICHT an folgenden Orten installieren:

- ⊗ In der Nähe von Hindernissen, die den Eintritt und Austritt der Luft behindern
- ⊗ In der Nähe von Tieren oder Pflanzen, die durch den Austritt der heißen Luft verletzt werden können
- ⊗ In der Nähe von Quellen leicht entflammbarer Gase

- ⊗ In Bereichen mit hoher Staubbelastung
- ⊗ In Bereichen mit hohem Salzgehalt in der Luft.
- ⊗ In der Nähe einer öffentlichen Straße, überfüllter Bereiche oder dort, wo der Lärm der Einheit andere stört

BESONDERE VORKEHRUNGEN FÜR EXTREME WITTERUNGSBEDINGUNGEN

Wenn das Gerät starkem Wind ausgesetzt ist: Installieren Sie das Gerät so, dass der Luftauslassventilator in einem Winkel von 90° zum Wind steht. Falls erforderlich, bauen Sie eine Barriere vor dem Gerät, um es vor starkem Wind zu schützen.



Wenn das Gerät häufig starkem Regen oder Schnee ausgesetzt ist:

Bringen Sie ein Schutzdach über dem Gerät an, um es vor Regen und Schnee zu schützen. Achten Sie darauf, die Luftzirkulation in der Umgebung des Geräts nicht zu behindern.

Wenn das Gerät häufig salzhaltiger Luft ausgesetzt ist (Küstengebiet):

Verwenden Sie ein speziell entwickeltes Gerät zur Vermeidung von Korrosion.

Schritt 2: Installieren Sie die Ablaufbuchse

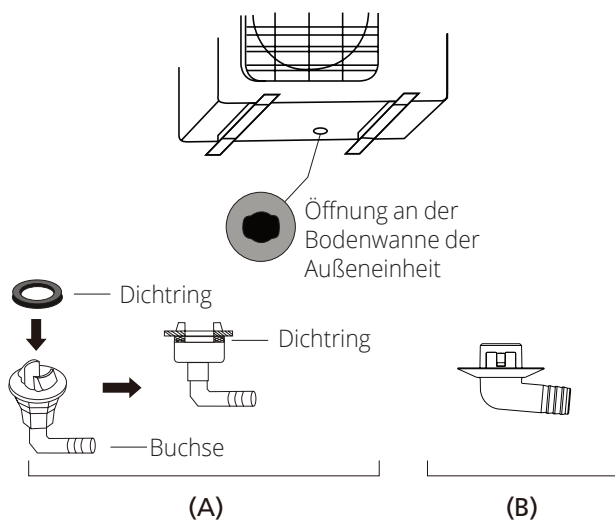
Wärmepumpengeräte setzen eine Ablaufbuchse voraus. Bevor Sie das Außengerät an seinen Platz festschrauben, müssen Sie die Ablaufbuchse an der Unterseite des Geräts installieren. Beachten Sie, dass es je nach Typ der Außeneinheit zwei verschiedene Arten von Abflussbuchsen gibt.

Wenn die Verbindung eine Gummidichtung hat (siehe Abb. 5.4.-A), gehen Sie wie folgt vor:

1. Bringen Sie die Gummidichtung an das Ende der Ablaufbuchse an, das mit dem Außengerät verbunden wird.
2. Stecken Sie die Ablaufbuchse in die Öffnung der Bodenwanne des Geräts.
3. Drehen Sie die Buchse um 90 Grad, bis sie mit einem Klick einrastet und zur Vorderseite des Geräts weist.
4. Schließen Sie die Leitungsverlängerung (nicht im Lieferumfang enthalten) an die Ablaufbuchse an, um den Wasserfluss während des Heizbetriebs aus dem Gerät abzuleiten.

Wenn die Ablaufbuchse keine Gummidichtung hat (siehe Abb. B), gehen Sie wie folgt vor:

1. Stecken Sie die Ablaufleitung in die Öffnung der Bodenwanne des Geräts. Die Ablaufbuchse muss mit einem Klick einrasten.
2. Schließen Sie die Leitungsverlängerung (nicht im Lieferumfang enthalten) an die Ablaufbuchse an, um den Wasserfluss während des Heizbetriebs aus dem Gerät abzuleiten.



! IN KALTEN KLIMAZONEN

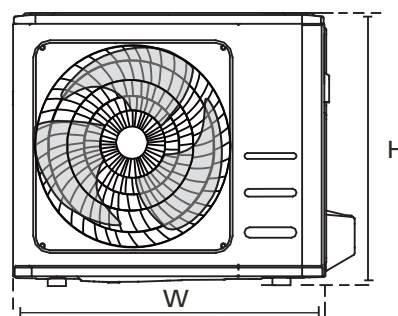
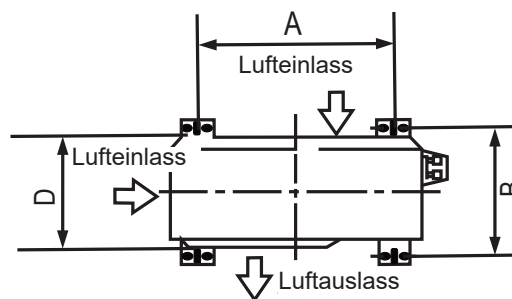
Stellen Sie bei kalten Klimabedingungen sicher, dass die Ablaufleitung so senkrecht wie möglich verläuft, um einen raschen Wasserabfluss zu ermöglichen. Wenn das Wasser zu langsam abläuft, kann es in der Öffnung gefrieren und das Gerät überlaufen lassen.

Schritt 3: Befestigen Sie das Außengerät

Das Außengerät kann entweder auf dem Boden oder an einer Wandhalterung befestigt werden.

ABMESSUNGEN DER AUSSENEINHEIT

Im Folgenden finden Sie eine Liste mit verschiedenen Abmessungen und Abständen zwischen den Wandeinheiten. Bereiten Sie den Installationssockel des Geräts gemäß den folgenden Abmessungen vor.



Abmessungen Außeneinheit (mm) W x H x D	Abmessungen des Wandgeräts	
	Abstand A (mm/Zoll)	Abstand B (mm/Zoll)
681x434x285 (26.8"x 17.1"x 11.2")	460 (18.1")	292 (11.5")
700x550x270 (27.5"x 21.6"x 10.6")	450 (17.7")	260 (10.2")
700x550x275 (27.5"x 21.6"x 10.8")	450 (17.7")	260 (10.2")
720x495x270 (28.3"x 19.5"x 10.6")	452 (17.8")	255 (10.0")
728x555x300 (28.7"x 21.8"x 11.8")	452 (17.8")	302(11.9")
765x555x303 (30.1"x 21.8"x 11.9")	452 (17.8")	286(11.3")
770x555x300 (30.3"x 21.8"x 11.8")	487 (19.2")	298 (11.7")
805x554x330 (31.7"x 21.8"x 12.9")	511 (20.1")	317 (12.5")
800x554x333 (31.5"x 21.8"x 13.1")	514 (20.2")	340 (13.4")
845x702x363 (33.3"x 27.6"x 14.3")	540 (21.3")	350 (13.8")
890x673x342 (35.0"x 26.5"x 13.5")	663 (26.1")	354 (13.9")
946x810x420 (37.2"x 31.9"x 16.5")	673 (26.5")	403 (15.9")
946x810x410 (37.2"x 31.9"x 16.1")	673 (26.5")	403 (15.9")

Wenn Sie das Gerät auf dem Boden oder auf einem Betonsockel installieren, gehen Sie wie folgt vor:

1. Markieren Sie die Bohrlöcher für die vier Schrauben gemäß den Abmessungen in der Tabelle mit den Abmessungen des Geräts.
2. Bohren Sie die Löcher für die Dehnschrauben vor
3. Entfernen Sie den Betonstaub aus den Löchern.
4. Bringen Sie an jedem Schraubenende eine Mutter an.
5. Nageln Sie die Dehnschrauben in die vorgebohrten Bohrlöcher.
6. Entfernen Sie die Muttern von den Dehnschrauben und setzen Sie das Außengerät auf die Schrauben.
7. Legen Sie auf jede Dehnschraube eine Unterlegscheibe und bringen Sie wieder die Muttern an.
8. Ziehen Sie mit einem Schraubenschlüssel alle Muttern fest an.

⚠️ WARNUNG
WENN SIE IN BETON BOHREN MÜSSEN SIE WÄHREND DES GESAMTEN VORGANGS AUGENSCHUTZ TRAGEN.

Wenn Sie das Gerät an einer Wandhalterung installieren, gehen Sie wie folgt vor:

⚠️ VORSICHT
 Stellen Sie vor der Installation der Wandeinheit sicher, dass die Wand aus massiven Ziegeln, Beton oder ähnlichen festen Materialien besteht. Die Wand muss mindestens das vierfache Gewicht des Geräts tragen können.

1. Markieren Sie die Stellen für die Bohrlöcher für die Halterungen gemäß den Abmessungen des Wandgeräts in der entsprechenden Tabelle.
2. Bohren Sie die Löcher für die Dehnschrauben vor.
3. Entfernen Sie Staub und Schmutz aus den Bohrlöchern.
4. Bringen Sie an jedem Schraubenende eine Mutter an.
5. Führen Sie die Dehnschrauben durch die Löcher in den Wandhalterungen, bringen Sie die Wandhalterungen in die entsprechende Position und nageln Sie die Dehnschrauben in die Wand.
6. Überprüfen Sie, ob die Wandhalterungen richtig ausgerichtet sind.
7. Heben Sie das Gerät vorsichtig an und setzen Sie die Stützfüße des Geräts auf die Halterungen.

4. Schritt: Anschluss des Signal- und Netzkabels
Die Klemmleiste des Außengeräts ist durch eine Kabelabdeckung an der Seite des Geräts geschützt. Ein ausführlicher Schaltplan ist auf der Innenseite der Kabelabdeckung aufgedruckt.

⚠️ WARNUNG

TRENNEN SIE DAS SYSTEM VON DER HAUPTSTROMVERSORGUNG, BEVOR SIE ELEKTRONISCHE UND ELEKTRISCHE ARBEITEN DURCHFÜHREN.

1. Bereiten Sie das Kabel für den Anschluss vor:

VERWENDEN SIE DAS RICHTIGE KABEL

- Innennetzkabel (falls zutreffend): H05VV-F oder H05V2V2-F
- Außennetzkabel: H07RN-F
- Signalkabel: H07RN-F

WÄHLEN SIE DIE RICHTIGE KABELGRÖßE

Die Größe des Stromversorgungskabels, Signalkabels, Sicherung, und der erforderliche Schalter wird durch die maximaler Strom der Einheit. Der maximale Der Strom ist auf dem Typenschild angegeben auf der Seitenwand der Einheit.

HINWEIS: In Nordamerika wählen Sie bitte die richtige Kabelgröße entsprechend der Mindestschaltung Die Strombelastbarkeit ist auf dem Typenschild des Geräts angegeben.

- Using wire strippers, strip the rubber jacket from both ends of cable to reveal about 40mm (1.57in) of the wires inside.
- Strip the insulation from the ends of the wires.
- Using a wire crimper, crimp u-lugs on the ends of the wires.

ACHTEN SIE AUF DAS PHASENKABEL

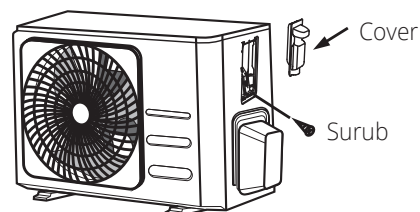
Achten Sie beim Crimpen darauf, das Phasenkabel von den anderen Kabeln zu unterscheiden.

⚠️ WARNUNG

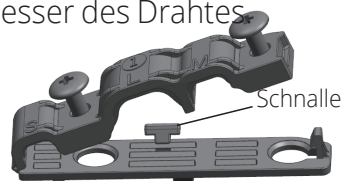
ALLE VERKABELUNGEN MÜSSEN STRIKT DEM VERKABELUNGSPLAN IN DER KABELABDECKUNG DER AUSSENEINHEIT FOLGEN.

2. Schrauben Sie die elektrische Kabelabdeckung ab und entfernen Sie diese.

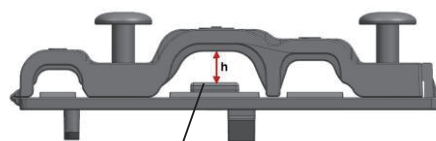
- Schrauben Sie die Kabelschelle unterhalb der Klemmleiste ab und legen Sie sie beiseite.
- Passen Sie die Farben der Kabel/Schilder mit den Schildern auf der Klemmleiste zusammen, und schließen die Kabelschuhe der Kabel an die entsprechende Klemme an
- Wenn Sie sich vergewissert haben, dass jede Verbindung sicher ist, wickeln Sie die Kabel ein, damit kein Wasser in die Klemmen fließen kann.
- Befestigen Sie das Kabel mit der Kabelschelle an das Gerät. Schrauben Sie die Schelle unten fest an. 7. Nicht verwendete Kabel mit PVC-Band isolieren. Ordnen Sie sie so an, dass sie keine elektrischen Teile oder Metallteile berühren.
- Bringen Sie die Kabelabdeckung an der Seite des Geräts an und schrauben Sie sie ein.



HINWEIS: Wenn die Kabelklemme wie folgt aussieht, wählen Sie bitte das entsprechende Durchgangsloch entsprechend dem Durchmesser des Drahtes.



Loch von drei Größen: Klein, Groß, Mittel



Wenn das Kabel nicht ausreichend befestigt ist, verwenden Sie die Schnalle zum Abstützen, damit sie fest eingespannt werden kann.

In Nordamerika

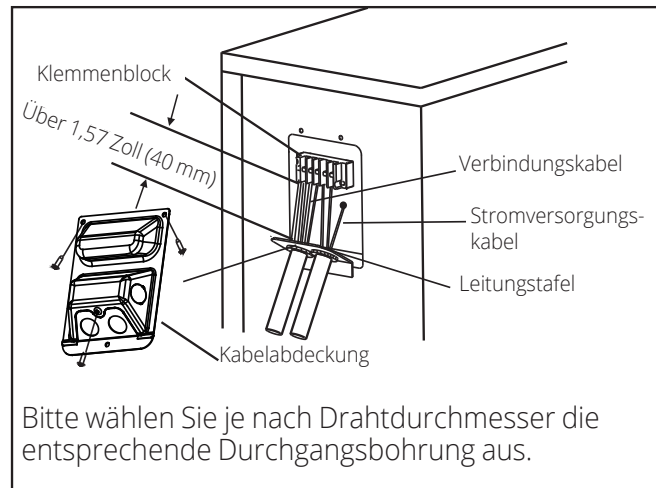
- Entfernen Sie die Drahtabdeckung vom Gerät, indem Sie Lösen der 3 Schrauben.
- Demontieren der Kappen auf der Kanalplatte.
- Montieren Sie die Conduit-Rohre vorübergehend (nicht enthalten) auf dem Conduit-Panel.
- Schließen Sie sowohl die Stromversorgung

als auch die Niederspannungsleitungen zu den entsprechenden Klemmen auf dem Klemmenblock.

5. Erden Sie das Gerät gemäß den örtlichen Vorschriften.

6. Stellen Sie sicher, dass die Größe der einzelnen Drähte mehrere Zoll beträgt. länger als die für die Verkabelung erforderliche Länge.

7. Verwenden Sie Kontermuttern, um die Leitungsrohre zu sichern.



Anschluss der Kältemittelleitung

Beachten Sie die Länge der Leitung

Die Länge der Kältemittelleitung beeinflusst die Leistung und die Energieeffizienz des Geräts. Die Nennleistung wurde für Geräte mit einer Rohrlänge von 5 Metern (16.5ft) getestet. Die Mindestlänge der Leitung sollte zur Vermeidung von Vibrationen und intensivem Lärm 3 Meter betragen. In Sonderfällen darf die maximale Länge der Kältemittelleitung 10 Meter (32.8ft) nicht überschreiten, wobei die Zugabe von Kältemittel NICHT zulässig ist (bezieht sich auf Modelle mit Kältemittel R290). Einzelheiten zur maximalen Länge und Fallhöhe der Leitung finden Sie in nachfolgender Tabelle

Maximale Länge und Höhe der Kühlmittelleitung für jedes Modell

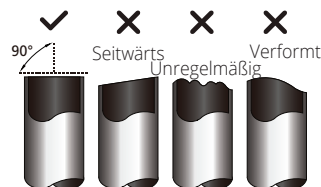
Modell	Leistung (BTU/h)	Lungime max. (m)	Înălțime maximă de cădere (m)
R410A,R32 Inverter Split Air Conditioner	< 15,000	25 (82ft)	10 (33ft)
	≥ 15,000 and < 24,000	30 (98.5ft)	20 (66ft)
	≥ 24,000 and < 36,000	50 (164ft)	25 (82ft)
R22 Fixed-speed Split Air Conditioner	< 18,000	10 (33ft)	5 (16ft)
	≥ 18,000 and < 21,000	15 (49ft)	8(26ft)
	≥ 21,000 and < 35,000	20 (66ft)	10(33ft)
R410A, R32 Fixed-speed Split Air Conditioner	< 18,000	20 (66ft)	8(26ft)
	≥ 18,000 and < 36,000	25 (82ft)	10(33ft)

Anschlussanleitung - Kältemittelleitung

1. Schritt Schneiden Sie die Leitungen

Achten Sie beim Vorbereiten der Kältemittelleitungen besonders darauf, diese richtig abzuschneiden und zu bündeln. Dies gewährleistet einen effizienten Betrieb und reduziert den Bedarf an zukünftigen Wartungsarbeiten. Bei Modellen mit R32/R290 sollten sich die Anschlussstellen der Leitungen außerhalb des Zimmers befinden.

1. Messen Sie den Abstand zwischen Innen- und Außengerät.
2. Schneiden Sie die Leitung mit einem Rohrschneider etwas oberhalb der gemessenen Distanz ab.
3. Achten Sie darauf, das Rohr in einem exakten Winkel von 90° zu schneiden.



DIE LEITUNG BEIM SCHNEIDEN NICHT VERFORMEN

Achten Sie besonders darauf, das Rohr während des Schneidens nicht zu beschädigen, zu biegen oder zu verformen. Dies könnte zu einer drastischen Senkung der Heizleistung des Geräts führen.

Schritt 2: Entgratung

Grate können die luftdichte Versiegelung der Kältemittelleitung beeinträchtigen. Sie müssen vollständig entfernt werden.

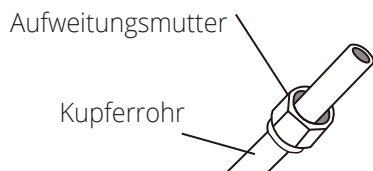
1. Halten Sie das Rohr abwärts geneigt, um zu vermeiden, dass Grate hineingelangen.
2. Entfernen Sie mit einer Reibahle oder einem Schleifwerkzeug alle Grate aus dem geschnittenen Teil des Rohrs.



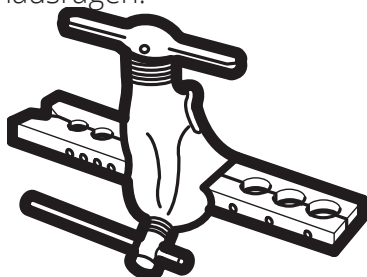
3. Schritt: Bördeln der Rohrmündungen

Um einen luftdichten Verschluss herzustellen, ist eine korrekte Bördelung nötig.

1. Nach dem Entfernen der Grate vom abgeschnittenen Rohr müssen Sie die Enden mit PVC-Klebeband abdecken, um ein Eindringen von Fremdkörpern zu verhindern.
2. Ummanteln Sie die Leitung mit Isoliermaterial.
3. Setzen Sie Überwurfmuttern auf beide Rohrenden. Stellen Sie sicher, dass sie richtig ausgerichtet sind. Siehe Abb. 6.3.

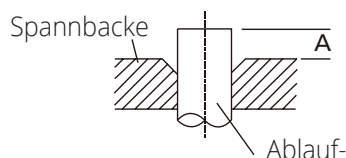


4. Entfernen Sie das PVC-Band von den Rohrenden, wenn Sie bereit sind, mit dem Bördeln zu beginnen.
5. Spannen Sie das Rohrende in die Spannbacke ein. Das Rohrende muss entsprechend den in der nachstehenden Tabelle angegebenen Abmessungen über die Bördelung hinausragen.



VERLÄNGERUNG DER LEITUNG ÜBER DIE SPANNBACKE HINAUS

Außendurchmesser der Leitung (mm)	A (mm)	
	Minimum	Maximum
Ø 6.35 (Ø 0.25")	0.7 (0.0275")	1.3 (0.05")
Ø 9.52 (Ø 0.375")	1.0 (0.04")	1.6 (0.063")
Ø 12.7 (Ø 0.5")	1.0 (0.04")	1.8 (0.07")
Ø 16 (Ø 0.63")	2.0 (0.078")	2.2 (0.086")
Ø 19 (Ø 0.75")	2.0 (0.078")	2.4 (0.094")



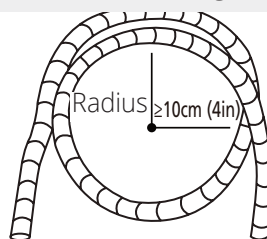
6. Setzen Sie das Bördelwerkzeug auf die Spannbacke.
7. Drehen Sie das Bördelwerkzeug im Uhrzeigersinn bis die Aufweitung durchgeführt ist.
8. Entfernen Sie das Bördelwerkzeug und die Spannbacke, und überprüfen Sie die Rohrmündung auf Risse und eine glatte Bördelung.

4. Schritt: Verbinden Sie die Rohre

Achten Sie beim Verbinden der Kältemittelleitungen darauf, kein übermäßiges Drehmoment auszuüben oder die Leitung in irgendeiner Weise zu verformen. Sie sollten zuerst die Niederdruckleitung und dann die Hochdruckleitung anschließen.

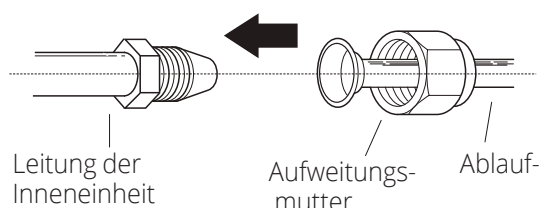
MINIMALER BIEGERADIUS

Beim Biegen der Kältemittelanschlussleitung beträgt der minimale Biegeradius 10cm. Siehe



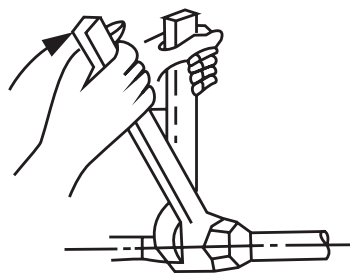
Anweisungen zum Anschließen der Leitung an das Innengerät

1. Richten Sie die beiden anzuschließenden Rohre mittig aus.



- Ziehen Sie die Aufweitungsmutter von Hand so fest wie möglich an.
- Schrauben Sie die Aufweitungsmutter mit einem Schraubenschlüssel fest auf das Geräterohr.
- Wenn Sie die Aufweitungsmutter fest auf das Geräterohr anziehen, sollten Sie einen Drehmomentschlüssel verwenden, um die Aufweitungsmutter gemäß den Drehmomentwerten der nachstehenden

Tabelle mit den Drehmomentvorgaben festzuziehen. Lockern Sie ein bisschen die Muttern und ziehen Sie diese dann wieder fest an.



DREHBEDINGUNGEN

Außendurchmesser des Rohres (mm)	Drehmoment (N/cm)	Zusätzliches Anzugsdrehmoment (N/m)	Forma
Ø 6.35 (Ø 0.25")	18~20(180~200kgf.cm)	8.4~8.7 (0.33~0.34")	
Ø 9.52 (Ø 0.375")	32~39(320~390kgf.cm)	13.2~13.5 (0.52~0.53")	
Ø 12.7 (Ø 0.5")	49~59(490~590kgf.cm)	16.2~16.5 (0.64~0.65")	
Ø 16 (Ø 0.63")	57~71(570~710kgf.cm)	19.2~19.7 (0.76~0.78")	
Ø 19 (Ø 0.75")	67~101(670~1010kgf.cm)	23.2~23.7 (0.91~0.93")	

⊘ KEIN GRÖßERES DREHMOMENT AUSÜBEN

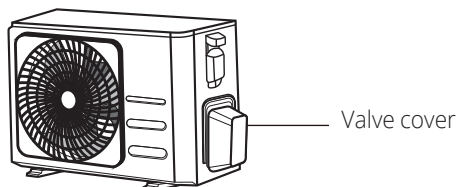
Eine übermäßige Kraftausübung kann die Mutter kaputt machen oder die Kältemittelleitung zerstören. Sie dürfen die in der obigen Tabelle angegebenen Drehmomentvorgaben nicht überschreiten.

Anweisungen zum Anschließen der Leitung an die Außeneinheit

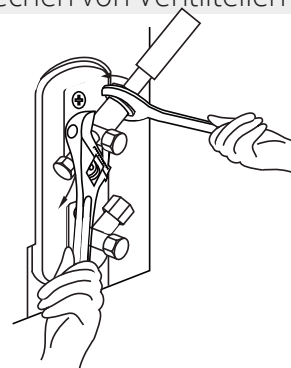
- Schrauben Sie die Ventilabdeckung von der Verkleidung des Außengeräts ab.
- Entfernen Sie die Schutzkappen von jedem Ventil.
- Richten Sie die aufgeweiteten Rohrmündungen mit den Ventilen aus und ziehen Sie die Verlängerungsmuttern von Hand so weit wie möglich fest.
- Halten Sie den Ventilkörper mit einem Schraubenschlüssel fest. Halten Sie nicht die Mutter, die das Serviceventil verschließt
- Lockern Sie ein bisschen die Verlängerungsmuttern und ziehen Sie diese dann wieder fest an.
- Wiederholen Sie die Schritte 3 bis 6 für die verbleibende Leitung..

! BENUTZEN SIE EINEN SCHRAUBENSCHLÜSSEL, UM DEN VENTILKÖRPER FESTZUHALTEN

Das Drehmoment beim Anziehen der Verlängerungsmutter kann zur Beschädigung oder zum Abbrechen von Ventiltteilen führen



- Während Sie den Ventilkörper festhalten ziehen Sie die Mutter mit einem Drehmomentschlüssel gemäß den korrekten Drehmomentwerten fest an.



Entlüftung

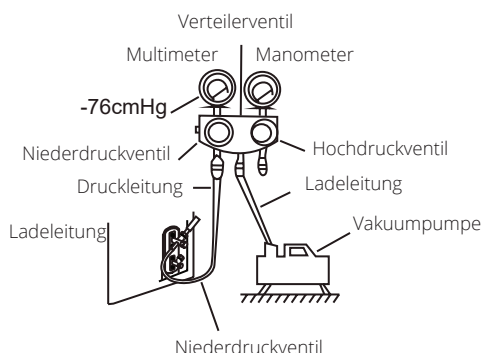
Vorarbeit und Anweisungen

Luft und andere Fremdkörper im Kühlkreislauf können zu einem unnormalen Druckanstieg führen, der die Klimaanlage beschädigen, die Leistung beeinträchtigen und Verletzungen verursachen kann. Verwenden Sie eine Vakuumpumpe für die Entlüftung des Kühlkreislaufs, um alle nicht brennbaren Gase und Feuchtigkeit aus der Anlage zu entfernen. Die Entlüftung muss während der Erstinstallation und wenn das Gerät an einen anderen Ort versetzt wird, durchgeführt werden.

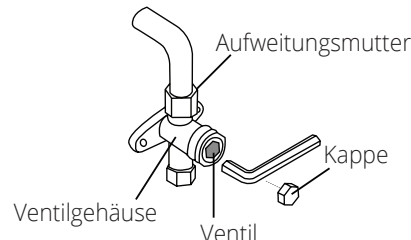
BEVOR SIE DIE ENTLÜFTUNG VORNEHMEN

- ☑ Vergewissern Sie sich, dass sowohl der hohe als auch der niedrige Leitungsdruck zwischen Innen- und Außengerät gemäß dem Abschnitt Anschluss der Kältemittelleitungen dieses Handbuchs vollständig angeschlossen sind.
- ☑ Prüfen Sie, ob alle Kabel ordnungsgemäß angeschlossen sind.

1. Schließen Sie die Ladeleitung des Verteilerventils an den Serviceport des Niederdruckventils des Außengeräts an.
2. Schließen Sie eine weitere Ladeleitung des Verteilerventils an die Vakuumpumpe an.
3. Öffnen Sie die Niederdruckseite des Verteilerventils. Die Hochdruckseite muss geschlossen bleiben.
4. Nehmen Sie die Vakuumpumpe in Betrieb, um die Anlage zu entlüften.
5. Aktivieren Sie die Vakuumpumpe für mindestens 15 Minuten oder bis der Messanschluss -76cmHg (-105Pa) anzeigt.



6. Schließen Sie die Niederdruckseite des Verteilerventils und stellen Sie die Vakuumpumpe ab.
7. Warten Sie 5 Minuten und prüfen Sie dann, dass der Systemdruck unverändert bleibt.
8. Wenn sich der Systemdruck ändert, finden Sie im Abschnitt Flüssigkeitsleckkontrolle Informationen zu Verfahren bezüglich der Überprüfung auf Lecks. Wenn der Systemdruck unverändert bleibt, schrauben Sie die Kappe vom Hochdruckventil ab.
9. Stecken Sie den Sechskantschlüssel in das (Hochdruck-) Ventil und öffnen Sie das Ventil, indem Sie den Schlüssel um $1/4$ Umdrehung im Uhrzeigersinn drehen. Hören Sie wie die Abgase aus dem System abgelassen werden und schließen Sie das Ventil nach 5 Sekunden.
10. Beobachten Sie das Druck-Manometer eine Minute lang, um sicherzustellen, dass der Druck unverändert bleibt. Das Manometer sollte einen Wert leicht über dem Atmosphärendruck anzeigen.
11. Entfernen Sie die Ladeleitung vom Serviceport.



12. Benutzen Sie einen Sechskantschlüssel und öffnen Sie die Hoch- und Niederdruckventile vollständig.
13. Die Kappen aller drei Ventile (Service-, Hoch- und Niederdruckport) manuell fest anziehen. Für ein festeres Anziehen können Sie bei Bedarf einen mechanischen Schlüssel verwenden.

! ÖFFNEN SIE VORSICHTIG DIE VENTILE

Wenn Sie die Ventile öffnen, drehen Sie den Sechskantschlüssel bis zum Anschlag. Versuchen Sie nicht, mehr Kraft auszuüben, um die Ventile weiter zu öffnen.

Hinweis zur Kältemittelzugabe

Bei bestimmten Systemen muss je nach Leitungslänge mehr Kältemittel hinzugefügt werden. Die Standardleitungslängen variieren gemäß den örtlichen Bestimmungen. In Nordamerika beträgt die Standardleitungslänge beispielsweise 7.5m (25ft). In anderen Regionen beträgt die Standardleitungslänge 5m (16ft). Das Kältemittel muss über den Serviceport des Niederdruckventils des Außengeräts hinzugefügt werden. Das zusätzliche Kältemittel kann nach folgender Formel berechnet werden

HINZUFÜGEN VON KÄLTEMITTEL FÜR JEDE LEITUNGSLÄNGE

Länge der Verbindungsleitung (m)	Entlüftungsverfahren	Zusätzliches Kältemittel	
≤ Standardleitungslänge	Vakuumpumpe	N/A	
> Standardlänge der Leitung	Vakuumpumpe	Flüssigkeitsleitung: Ø 6.35 (ø 0.25")	Partea lichidă: Ø 9.52 (ø 0.375")
		R32: (Leitungslänge - Standardlänge) x 12g/m (Leitungslänge - Standardlänge) x 0.13oz/ft	R32: (Leitungslänge - Standardlänge) x 24g/m (Leitungslänge - Standardlänge) x 0.26oz/ft
		R290: (Leitungslänge - Standardlänge) x 10g/m (Leitungslänge - Standardlänge) x 0.10oz/ft	R290: (Leitungslänge - Standardlänge) x 18g/m (Leitungslänge - Standardlänge) x 0,19 oz/ft
		R410A: (Leitungslänge - Standardlänge) x 15g/m (Leitungslänge - Standardlänge) x 0.16oz/ft	R410A: (Leitungslänge - Standardlänge) x 30g/m (Leitungslänge - Standardlänge) x 0,32oz/ft
		R22: (Leitungslänge - Standardlänge) x 20g/m (Leitungslänge - Standardlänge) x 0.21oz/ft	R22: (Leitungslänge - Standardlänge) x 40g/m (Leitungslänge - Standardlänge) x 0.42oz/ft

Bei Geräten mit Kühlmittel R290 kann die maximale Menge des zusätzlichen Kältemittels nicht grösser sein als: 387g(≤9000Btu/h), 447g(>9000Btu/h und ≤12000Btu/h), 547g(>12000Btu/h und ≤18000Btu/h), 632g(>18000Btu/h und ≤24000Btu/h).

 **VORSICHT: KEINE** Kältemitteltypen miteinander vermischen.

Prüfung auf Leckstrom und Gaslecks

Vor dem Testlauf

Führen Sie den Testlauf erst durch, nachdem Sie die folgenden Schritte durchgeführt haben:

- Elektrische Sicherheitsprüfungen - Stellen Sie sicher, dass das elektrische System des Geräts sicher ist und ordnungsgemäß funktioniert.
- Gasleckprüfungen - Überprüfen Sie alle Fackelmutterverbindungen und stellen Sie sicher, dass das System nicht undicht ist.
- Bestätigen Sie, dass Gas- und Flüssigkeitsventile (Hoch- und Niederdruck) vollständig geöffnet sind

Elektrische Sicherheitsprüfungen

Bestätigen Sie nach der Installation, dass die gesamte elektrische Verkabelung in Übereinstimmung mit den örtlichen und nationalen Vorschriften und entsprechend der Installation Handbuch.

VOR DEM TESTBETRIEB

Überprüfen Sie die Erdungsverkabelung

Messen Sie den Erdungswiderstand mit bloßem Auge und mit einem Erdungsmessgerät. Der Erdungswiderstand muss weniger als 4 betragen.

Hinweis: Für manche Regionen in den USA ist dies möglicherweise keine Voraussetzung.

WÄHREND DES TESTBETRIEBS

Überprüfung auf Leckstrom

Verwenden Sie während des Testbetriebs einen Phasenprüfer und ein Multimeter, um auf Leckstrom zu überprüfen.

Wenn ein Leckstrom festgestellt wird, schalten Sie das Gerät sofort aus und wenden Sie sich an eine autorisierte Elektrofachkraft, um die Ursachen des Lecks zu ermitteln und zu beheben.

Hinweis: In manchen Regionen in den USA ist dies möglicherweise nicht notwendig.

! WARNUNG - STROMSCHLAGGEFAHR

DIE GESAMTE VERKABELUNG MUSS DEN ÖRTLICHEN UND NATIONALEN ELEKTRISCHEN VORSCHRIFTEN ENTSPRECHEN UND SOLLTE VON EINER AUTORISIERTEN ELEKTROFACHKRAFT INSTALLIERT WERDEN

Überprüfung auf Gaslecks

Es gibt zwei unterschiedliche Verfahren, um eine Überprüfung auf Gaslecks durchzuführen.

Verfahren mit Wasser und Seife

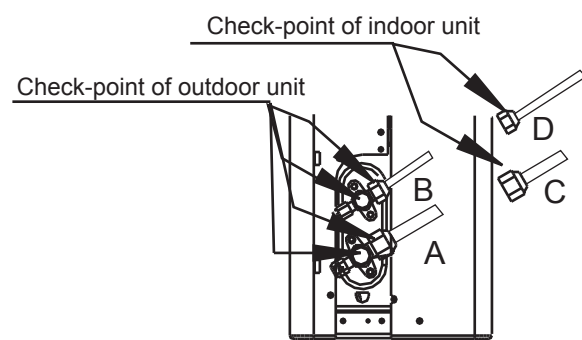
Tragen Sie mit einer weichen Bürste eine Seifenlösung oder ein neutrales Reinigungsmittel auf alle Leitungsverbindungsstellen im Innen- und Außengerät auf. Wenn sich Blasen bilden, liegt ein Leck vor.

Leckerfassungsverfahren

Wenn Sie einen Leckdetektor verwenden, finden Sie weitere Informationen zur Handhabung des Geräts in der Bedienungsanleitung des Geräts.

NACH DER ÜBERPRÜFUNG AUF GASLECKS

Nachdem Sie sich vergewissert haben, dass alle Verbindungsstellen der Leitungen keine Lecks aufweisen, bringen Sie die Ventilabdeckung wieder an die Außeneinheit an



A: Low pressure stop valve
B: High pressure stop valve
C & D: Indoor unit flare nuts

TESTBETRIEB

Vor dem Testbetrieb

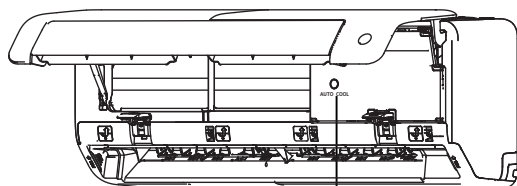
Führen Sie den Testlauf nur dann durch, wenn Sie die folgenden Schritte abgeschlossen haben:

- Elektrische Sicherheitsüberprüfung: Stellen Sie sicher, dass die elektrische Anlage des Geräts sicher ist und ordnungsgemäß funktioniert.
- Überprüfung auf Gaslecks: Überprüfen Sie die Verlängerungsmuttern an den Leitungsverbindungen und stellen Sie sicher, dass die Anlage keine Lecks aufweist.
- Bestätigen Sie, dass die Gas- und Flüssigkeitsventile (Hoch- und Niederdruck) vollständig geöffnet sind.

Testbetriebsanleitungen

Sie müssen den Testlauf mindestens 30 Minuten lang durchführen.

1. Schließen Sie das Gerät an die Stromversorgung an.
2. Drücken Sie die ON/OFF-Taste der Fernbedienung, um es einzuschalten.
3. Drücken Sie die MODE-Taste, um die folgenden Funktionen nacheinander zu durchlaufen:
 - KÜHLUNG - Wählen Sie die niedrigstmögliche Temperatur
 - HEIZUNG - Wählen Sie die höchstmögliche Temperatur
4. Lassen Sie jede Funktion 5 Minuten lang laufen und führen Sie folgende Kontrollen durch:
5. Nachdem der Testlauf erfolgreich abgeschlossen ist, und Sie bestätigen, dass alle Kontrollpunkte in Liste der durchzuführenden Prüfungen bestanden haben, führen Sie die folgen:
 - a. Mit der Fernbedienung kehren Sie die Einheit zurück zu normale Betriebstemperatur.
 - b. Wickeln Sie mit Isolierband die Innen Kä Itemittelleitungsverbindungen, die Sie während der Inneneinheit unbedeckt bleiben Installationsprozess.



Manual control button

Liste der durchgeführten Kontrollen	BESTANDEN / NICHT BESTANDEN	
Es gibt keinen Leckstrom		
Das Gerät ist ordnungsgemäß geerdet		
Alle elektrischen Anschlüsse sind ordnungsgemäß abgedeckt		
Innen- und Außengerät sind ordnungsgemäß installiert.		
Keine Rohrverbindung weist ein Leck auf	Außeneinheit (2):	Außeneinheit (2):
Das Wasser fließt ordnungsgemäß aus der Ablaufleitung ab		
Alle Rohrleitungen sind ausreichend isoliert		
Das Gerät führt die KÜHLUNG-Funktion ordnungsgemäß aus		
Das Gerät führt die HEIZUNG-Funktion ordnungsgemäß aus		
Die Innenluftklappen rotieren ordnungsgemäß		
Das Innengerät reagiert auf die Fernbedienung		

WENN DIE UMGEBUNGSTEMPERATUR UNTER 17°C LIEGT (62°F)

Sie können die Fernbedienung nicht verwenden, um auf die Funktion COOL, wenn die Umgebung Die Temperatur liegt unter 17°C. In diesem Fall, können Sie die Taste MANUAL CONTROL verwenden um die Funktion COOL zu testen.

1. Die Taste MANUAL CONTROL befindet sich auf der rechten Seitenwand der Einheit.
2. Drücken Sie die Taste 2 Mal, um die COOL-Funktion.
3. Führen Sie den Testlauf wie gewohnt durch.

Die Abbildungen in diesem Handbuch dienen lediglich zur Erläuterung der Funktionen. Die tatsächliche Form der Einheit, die Sie gekauft haben, kann etwas abweichen, aber die Bedienung und Funktionen sind gleich.

Das Unternehmen übernimmt keinerlei Haftung für eventuell in diesem Dokument enthaltene falsch gedruckte Informationen. Der Inhalt dieses Handbuchs und die technischen Daten dieses Produkts können für Verbesserungsgründe ohne Vorankündigung geändert werden.

Bitte wenden Sie sich an den Hersteller unter +30 211 300 3300 oder an die Verkaufagentur, um weitere Informationen zu erhalten. Alle zukünftigen Aktualisierungen des Handbuchs werden auf die Service-Website hochgeladen. Es wird empfohlen, immer nach der neuesten Version zu suchen.

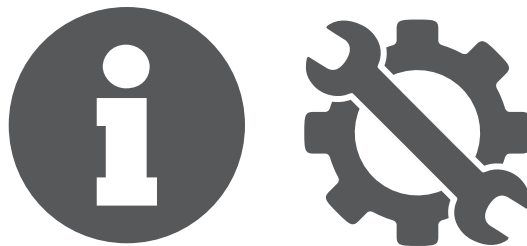


Scannen Sie bitte hier, um die neueste Version dieses Handbuchs herunterladen zu können.
www.inventorairconditioner.com/media-library



AIR CONDITIONING SYSTEMS

WALL MOUNTED UNIT



V:1.0.012023

Please check the applicable models, F-GAS and manufacturer information from the "Owner's Manual - Product Fiche" in the packaging of the outdoor unit. (European Union products only).

Manufacturer: **INVENTOR A.G. S.A.**

24th km National Road Athens - Lamia & 2 Thoukididou Str., Ag.Stefanos, 14565

Tel.: +30 211 300 3300, Fax: +30 211 300 3333 - www.inventor.ac

