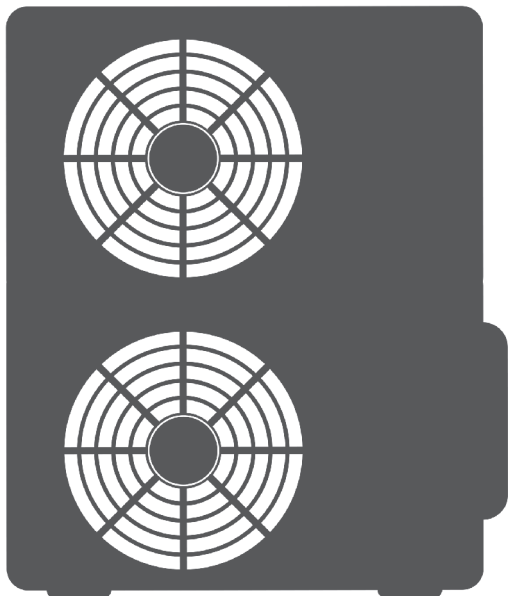




# AIR CONDITIONING SYSTEMS

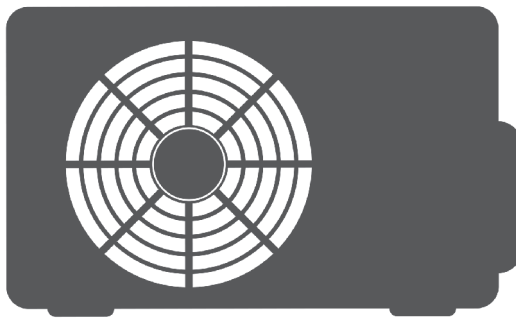
## MULTI SPLIT SYSTEM

- **USER'S MANUAL**
- **ΕΓΧΕΙΡΙΔΙΟ ΧΡΗΣΗΣ**
- **MANUAL UTILIZATORULUI**
- **BENUTZERHANDBUCH**



### **MODELS:**

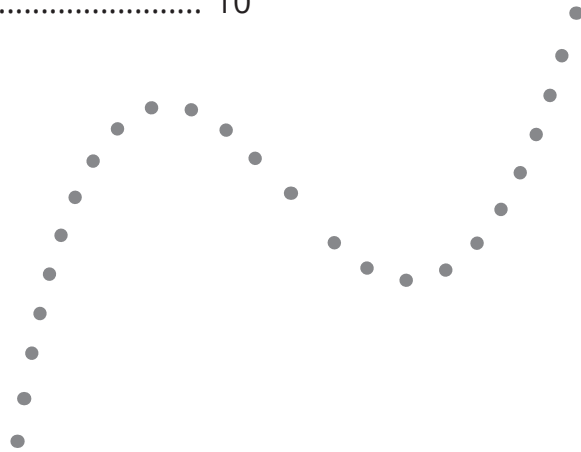
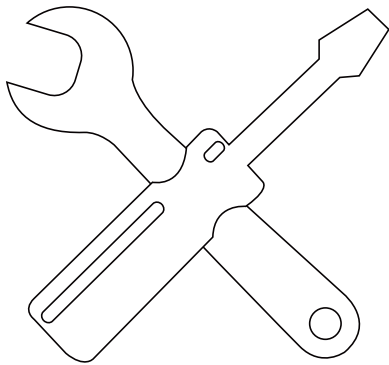
U6RSL(2)-18  
U6RSL(3)-27  
U5MRSL32(4)-36  
U6RSL(5)-42



# Table of Contents

## Owner's Manual

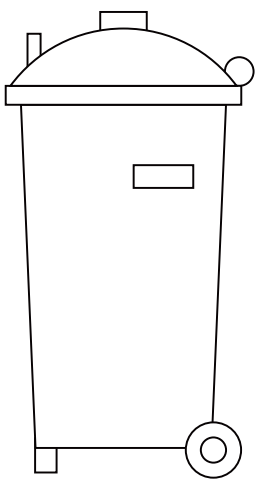
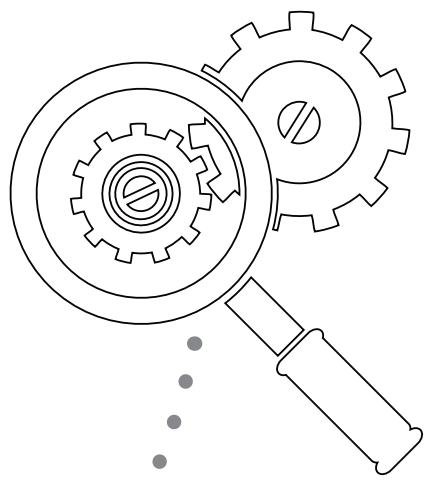
<b>1</b>	Safety Precautions .....	04
<b>2</b>	Indoor Unit Parts and Major Functions.....	06
<b>3</b>	Manual Operations.....	10



**4** Troubleshooting.....11

    Common Problems .....11

    Troubleshooting Tips .....13



**5** European Disposal Guidelines..... 14



Caution: **Risk of fire/**  
**(for R32/R290 refrigerant only)**

**WARNING:** Servicing shall only be performed as recommended by the equipment manufacturer. Maintenance and repair requiring the assistance of other skilled personnel shall be carried out under the supervision of the person competent in the use of flammable refrigerants. For more details ,please refer to the Information on servicing on INSTALLATION MANUAL .(This is only required for the unit adopts R32/R290 Refrigerant)

# Safety Precautions

# 1

Thank you for purchasing this air conditioner. This manual will provide you with information on how to operate, maintain, and troubleshoot your air conditioner. Following the instructions will ensure the proper function and extended lifespan of your unit.

**Please pay attention to the following signs:**



**WARNING**

**Failure to observe a warning may result in death. The appliance must be installed in accordance with national regulations.**



**CAUTION**

**Failure to observe a caution may result in injury or equipment damage.**



## **WARNING**

- Ask an authorized dealer to install this air conditioner. Inappropriate installation may cause water leakage, electric shock, or fire.
- The warranty will be voided if the unit is not installed by professionals.
- If abnormal situation arises (like burning smell), turn off the power supply and call your dealer for instructions to avoid electric shock, fire or injury.
- **DO NOT** let the indoor unit or the remote control get wet. It may cause electric shock or fire.
- **DO NOT** insert fingers, rods or other objects into the air inlet or outlet. This may cause injury, since the fan may be rotating at high speeds.
- **DO NOT** use a flammable spray such as hair spray, lacquer or paint near the unit. This may cause fire or combustion.
- Do not use means to accelerate the defrosting process or to clean, other than those recommended by the manufacturer.
- The appliance shall be stored so as to prevent mechanical damage from occurring.

- Be aware that the refrigerants may not contain an odour.
- Compliance with national gas regulations shall be observed.
- Keep ventilation openings clear of obstruction.
- **DO NOT** pierce or burn.
- A warning that the appliance shall be stored in a well-ventilated area where the room size corresponds to the room area as specified for operation.
- Any person who is involved with working on or breaking into a refrigerant circuit should hold a current valid certificate from an industry-accredited assessment authority, which authorises their competence to handle refrigerants safely in accordance with an industry recognised assessment specification.
- Servicing shall only be performed as recommended by the equipment manufacturer. Maintenance and repair requiring the assistance of other skilled personnel shall be carried out under the supervision of the person competent in the use of flammable refrigerants.





## CAUTION

- **DO NOT** touch the air outlet while the swing flap is in motion. Fingers might get caught or the unit may break down.
  - **DO NOT** inspect the unit by yourself. Ask an authorized dealer to perform the inspection.
  - To prevent product deterioration, do not use the air conditioner for preservation purposes (storage of food, plants, animals, works of art, etc.).
  - **DO NOT** touch the evaporator coils inside the indoor unit. The evaporator coils are sharp and may cause injury.
  - **DO NOT** operate the air conditioner with wet hands. It may cause electric shock.
  - **DO NOT** place items that might be affected by moisture damage under the indoor unit. Condensation can occur at a relative humidity of 80%.
  - **DO NOT** expose heat-producing appliances to cold air or place them under the indoor unit. This may cause incomplete combustion or deformation of the unit due to the heat.
  - After long periods of usage, check the indoor unit to see if anything is damaged. If the indoor unit is damaged, it may fall and cause injury.
  - If the air conditioner is used together with other heating devices, thoroughly ventilate the room to avoid oxygen deficiency.
  - **DO NOT** climb onto or place objects on top of the outdoor unit.
  - **DO NOT** operate the air conditioner when using fumigant insecticides. The chemicals may become layered with the unit and endanger those who are hypersensitive to chemicals.
- **DO NOT** let children play with the air conditioner.
  - **DO NOT** operate the air conditioner in a wet room (e.g. bathroom or laundry room). This can cause electrical shock and cause the product to deteriorate.
  - No children under the age of 8 should be permitted to operate this electric device. Be certain, that children, handicapped people, or people with the lack of knowledge and experience, must be supervised, depending the situation, by persons responsible for their well-being and do not undertake procedures such as the cleaning or the maintenance of this device.
  - It is important that adequate supervision is provided and no minors are left unattended with this device.

# Unit Parts And Major Functions

# 2

## Unit Parts

### Wall-mounted type

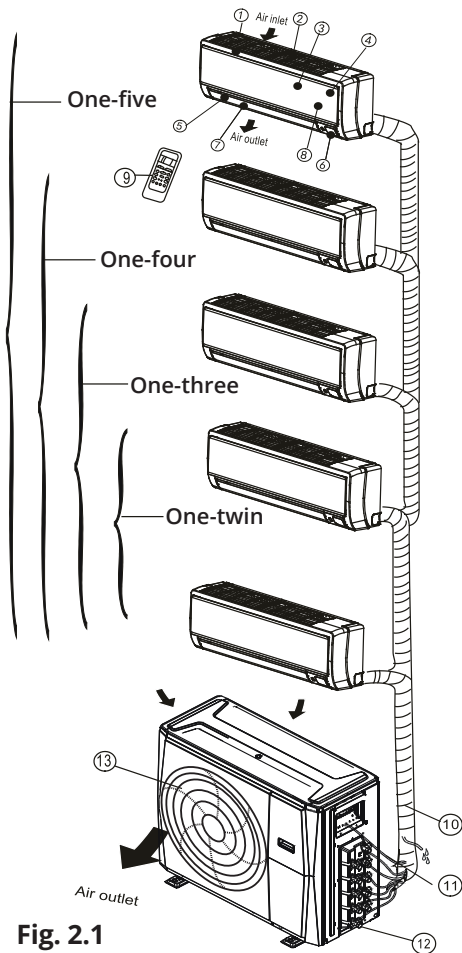


Fig. 2.1

#### Indoor unit

1. Panel frame
2. Rear air intake grille
3. Front panel
4. Air purifying filter & Air filter(behind)
5. Horizontal louver
6. LCD display window
7. Vertical louver
8. Manual control button(behind)
9. Remote controller holder

#### Outdoor unit

10. Drain hose, refrigerant connecting pipe
11. Connective cable
12. Stop valve
13. Fan hood

### Duct type

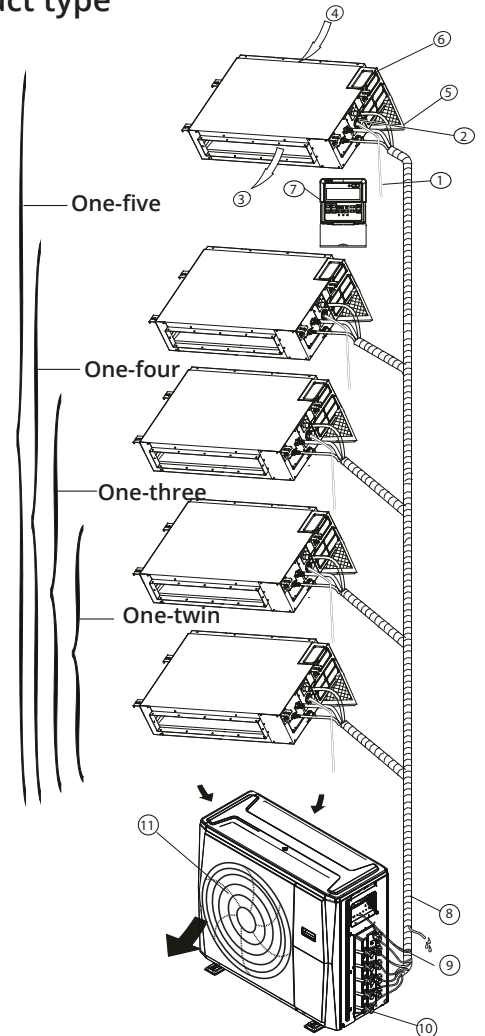


Fig. 2.2

#### Indoor unit

1. Drain pump  
(drain water from indoor unit)
2. Drain hose
3. Air outlet
4. Air inlet
5. Air filter
6. Electric control cabinet
7. Wire controller

#### Outdoor unit

8. Drain hose, refrigerant connecting pipe
9. Connective cable
10. Stop valve
11. Fan hood

## Console type

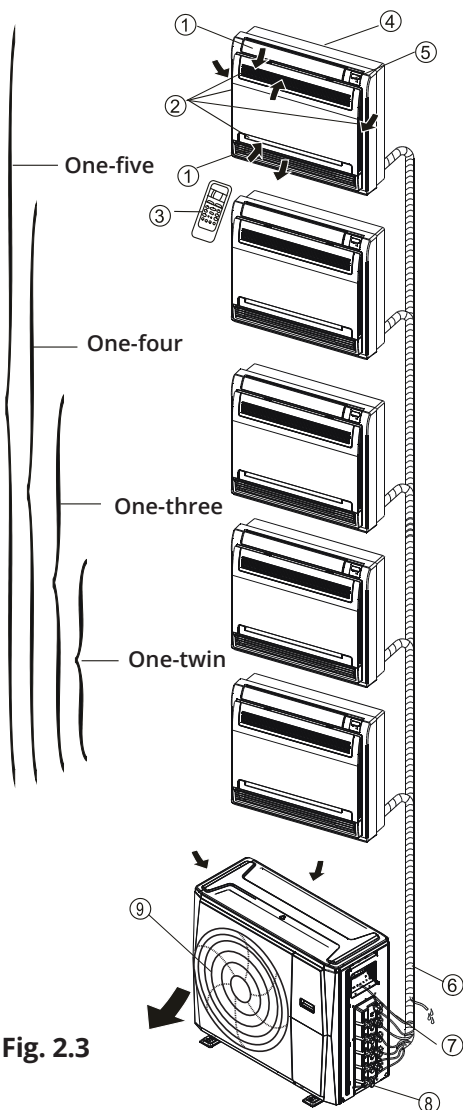


Fig. 2.3

### Indoor unit

1. Airflow louver (at air outlet)
2. Air inlet (containing air filter)
3. Remote controller
4. Installation part
5. Display panel

### Outdoor unit

6. Drain hose, refrigerant connecting pipe
7. Connective cable
8. Stop valve
9. Fan hood

## Compact four-way cassette type

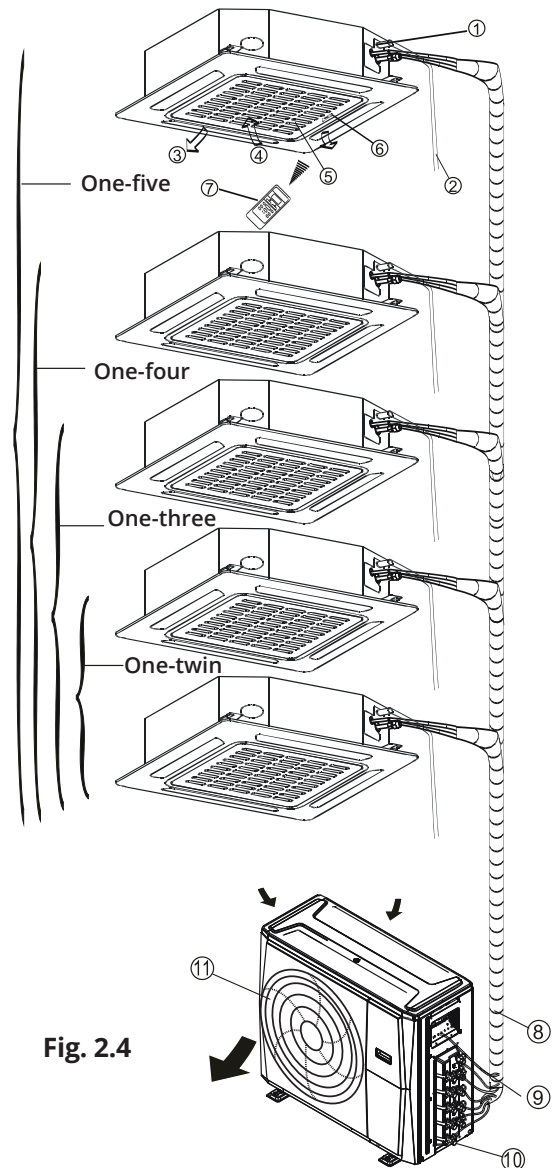


Fig. 2.4

### Indoor unit

1. Drain pump(drain water from indoor unit) (optional)
2. Drain hose (optional)
3. Air outlet
4. Air inlet
5. Air-in grill
6. Display panel
7. Remote controller

### Outdoor unit

8. refrigerant connecting pipe
9. Connective cable
10. Stop valve
11. Fan hood

**NOTE:** For multi-split type air conditioners, one outdoor unit can be matched to different types of indoor units. All of the pictures in this manual are for demonstration purposes only. Your air conditioner may be slightly different, if similar in shape. The following pages introduce several kinds of indoor units that can be matched with the outdoor units.

## Operating Conditions

Use the system under the following temperatures for safe and effective operation. If the air conditioner is used under different conditions, it may malfunction or become less efficient.

	COOL Mode	HEAT mode	DRY mode
<b>Indoor Temperature</b>	17-32°C(62-90°F)	0-30°C (32-86°F)	17-32°C(62-90°F)
<b>Outdoor Temperature</b>	0-50°C (32-122°F)	-15-24°C (5-75°F)	0-50°C (32-122°F)
	-15-50°C (5-122°F) (For models with low-temp cooling systems)		
	0-60°C (32-140°F) (For special tropical models)	-7-24°C (19-75°F)	0-60°C (32-140°F)

## Features

### Protection of the air conditioner

#### Compressor protection

- The compressor cannot restart for 3 minutes after it stops.

#### Anti-cold air

- The unit is designed not to blow cold air on HEAT mode, when the indoor heat exchanger is in one of the following three situations and the set temperature has not been reached.
  - A) When heating has just started.
  - B) During defrosting.
  - C) Low temperature heating.
- The indoor or outdoor fan stop running when defrosting (Cooling and heating models only).

#### Defrosting

- Frost may be generated on the outdoor unit during a heat cycle when outdoor temperature is low and humidity is high resulting in lower heating efficiency in the air conditioner.
- Under these conditions, the air conditioner will stop heating operations and start defrosting automatically.
- The time to defrost may vary from 4 to 10 minutes, depending the outdoor temperature and the amount of frost buildup on the outdoor unit.

### Auto-Restart

In case of power failure, the system will immediately stop. When power returns, the Operation light on the indoor unit will flash. To restart the unit, press the ON/OFF button on the remote control. If the system has an auto restart function, the unit will restart using the same settings.

### White mist emerging from the indoor unit

- A white mist may be generated due to a large temperature difference between air inlet and air outlet on COOL mode in places with high relative humidity.
- A white mist may be generated due to moisture created in the defrosting process when the air conditioner restarts in HEAT mode operation after defrosting.

### Noise coming from the air conditioner

- You may hear a low hissing sound when the compressor is running or has just stopped running. This sound is the sound of the refrigerant flowing or coming to a stop.
- You may also hear a low "squeaking" sound when the compressor is running or has just stopped running. This is caused by tempera heat expansion and cold contraction of the plastic parts in the unit when the temperature is changing.
- A noise may be heard due to the louver restoring itself to its original position when power is first turned on.

### Dust blowing out from the indoor unit.

This happens when the air conditioner has not been used for a long time or during its first use.

### Smell emitting from the indoor unit.

This is caused by the indoor unit giving off smells permeated from building materials, furniture, or smoke.

### The air conditioner turns to FAN ONLY mode from COOL or HEAT mode.

When the indoor temperature reaches the set temperature setting, the compressor will stop automatically, and the air conditioner turns to FAN only mode. The compressor will start again when the indoor temperature rises on COOL mode or falls on HEAT mode to the set point.

Droplets of water may form on the surface of the indoor unit when cooling occurs in relatively high humidity (defined as higher than 80%). Adjust the horizontal louver to

the maximum air outlet position and select HIGH fan speed.

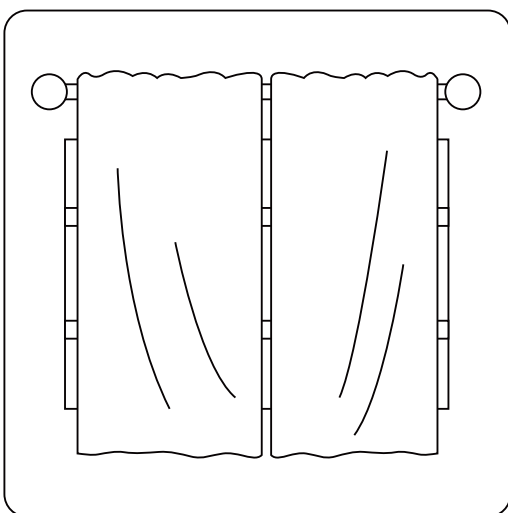
### Heating mode

The air conditioner draws in heat from the outdoor unit and releases it via the indoor unit during heating. When the outdoor temperature falls, heat drawn in by the air conditioner decreases accordingly. At the same time, heat loading of the air conditioner increases due to larger difference between indoor and outdoor temperature. If a comfortable temperature cannot be achieved with the air conditioner alone, it is recommended that you use a supplementary heating device.

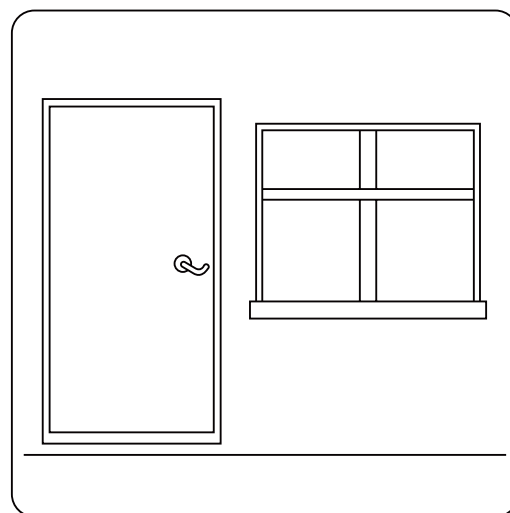
Lightning or a car wireless telephone operating nearby may cause the unit to malfunction. Disconnect the unit from its power source and then re-connect the unit with the power source again. Push the ON/OFF button on the remote controller to restart operations.

## Energy Saving Tips

- **DO NOT** set the unit to excessive temperature levels.
- While cooling, close the curtains to avoid direct sunlight.
- Doors and windows should be kept closed to keep cool or warm air in the room.
- **DO NOT** place objects near the air inlet and outlet of the unit. This will reduce the efficiency of the unit.
- Set a timer and use the built-in SLEEP/ECONOMY mode if applicable.
- If you don't plan to use the unit for a long time, remove the batteries from the remote control.
- Clean the air filter every two weeks. A dirty filter can reduce cooling or heating efficiency.
- Adjust louvers properly and avoid direct airflow.



Closing curtains during heating also helps keep the heat in



Doors and windows should be kept closed

# Manual Operations And Maintenance

# 3

## Energy Saving Tips

While two or more indoor units are simultaneously operating, make sure the modes do not conflict with each other. The heat mode claims precedence over all other modes. If the unit initially started to operate in HEAT mode, the other units can operate in HEAT mode only. For example: If the unit initially started operates under COOL (or FAN) mode, the other units can operate under any mode except HEAT. If one of the unit selects HEAT mode, the other operating units will stop operation and display (for units with display window only) or the auto and operation indication light will flash rapidly, the defrost indication light will turn off, and the timer indication light will remain on (for units without a display window). Alternatively, the defrost and alarm indication light (if applicable) will light up, or the operation indication light will flash rapidly, and the timer indication light will turn off (for the floor and standing type).

## Maintenance

If you plan to leave the unit idle for a long time, perform the following tasks:

1. Clean the indoor unit and air filter.
2. Select FAN ONLY mode and let the indoor fan run for a time to dry the inside of the unit.
3. Disconnect the power supply and remove the battery from the remote control.
4. Check components of the outdoor unit periodically. Contact a local dealer or a customer service centre if the unit requires servicing.

**NOTE:** Before you clean the air conditioner, be sure to switch off the unit and disconnect the power supply plug.

## Optimal operation

To achieve optimal performance, please note the following:

- Adjust the direction of the air flow so that it is not blowing directly on people.
- Adjust the temperature to achieve the highest possible level of comfort. Do not adjust the unit to excessive temperature levels.
- Close doors and windows in COOL mode or HEAT mode.
- Use the TIMER ON button on the remote controller to select a time you want to start your air conditioner.
- Do not place any object near the air inlet or air outlet, as the efficiency of the air conditioner may be reduced and the air conditioner may stop running.
- Clean the air filter periodically, otherwise cooling or heating performance may be reduced.
- Do not operate unit with horizontal louvre in closed position.

### Suggestion:

**For units that feature an electric heater, when the outside ambient temperature is below 0°C(32°F), it is strongly recommended that you to keep the machine plugged in so as to guarantee smooth operation.**

### When the air conditioner is to be used again:

- Use a dry cloth to wipe off the dust accumulated on the rear air intake grille in order to avoid the dust being dispersed from the indoor unit.
- Check that the wiring is not broken off or disconnected.
- Check that the air filter is installed.
- Check if the air outlet or inlet is blocked after the air conditioner has not been used for a long time.



# Troubleshooting

# 4

## CAUTIONS

If one of the following conditions occurs, switch off the power supply immediately and contact your dealer for further assistance.

- The operation light continues to flash rapidly after the unit has been restarted.
- The remote control buttons do not work.
- The unit continually trips fuses or circuit breakers.
- A foreign object or water enters the air conditioner.
- Other abnormal situations.

## Common Problems

The following symptoms are not a malfunction and in most situations will not require repairs.

Problem	Possible Causes
<b>Unit does not turn on when pressing ON/OFF button</b>	The unit has a 3-minute protection feature that prevents the unit from overloading. The unit cannot be restarted within three minutes of being turned off.
	Cooling and Heating Models: If the Operation light and PRE-DEF (Pre-heating/Defrost) indicators are lit up, the outdoor temperature is too cold and the unit's anti-cold wind is activated in order to defrost the unit.
	In Cooling-only Models: If the "Fan Only" indicator is lit up, the outdoor temperature is too cold and the unit's anti-freeze protection is activated in order to defrost the unit.
<b>The unit changes from COOL mode to FAN mode</b>	The unit changes its setting to prevent frost from forming on the unit. Once the temperature increases, the unit will start operating again.
	The set temperature has been reached, at which point the unit turns off the compressor. The unit will resume operating when the temperature fluctuates again.
<b>The indoor unit emits white mist</b>	In humid regions, a large temperature difference between the room's air and the conditioned air can cause white mist.
<b>Both the indoor and outdoor units emit white mist</b>	When the unit restarts in HEAT mode after defrosting, white mist may be emitted due to moisture generated from the defrosting process.

Problem	Possible Causes
<b>The indoor unit makes noises</b>	A squeaking sound is heard when the system is OFF or in COOL mode. The noise is also heard when the drain pump (optional) is in operation.
	A squeaking sound may occur after running the unit in HEAT mode due to expansion and contraction of the unit's plastic parts.
<b>Both the indoor unit and outdoor unit make noises</b>	A low hissing sound may occur during operation. This is normal and is caused by refrigerant gas flowing through both the indoor and outdoor units.
	A low hissing sound may be heard when the system starts, has just stopped running or is defrosting. This noise is normal and is caused by the refrigerant gas stopping or changing direction.
<b>The outdoor unit makes noises</b>	The unit will make different sounds based on its current operating mode.
<b>Dust is emitted from either the indoor or outdoor unit</b>	The unit may accumulate dust during extended periods of non-use, which will be emitted when the unit is turned on. This can be mitigated by covering the unit during long periods of inactivity.
<b>The unit emits a bad odor</b>	The unit may absorb odors from the environment (such as furniture, cooking, cigarettes, etc.) which will be emitted during operations.
	The unit's filters have become moldy and should be cleaned.
<b>The fan of the outdoor unit does not operate</b>	During operation, the fan speed is controlled to optimize product operation.



## Troubleshooting Tips

When troubles occur, please check the following points before contacting a repair company.

Problem	Possible Causes	Solution
<b>The unit is not working</b>	Power failure	Wait for the power to be restored
	The power switch is off	Turn on the power
	The fuse is burned out	Replace the fuse
	Remote control batteries are dead	Replace the remote control batteries
	The unit's 3-minute protection has been activated	Wait three minutes after restarting the unit
<b>Poor cooling performance</b>	Temperature setting may be higher than the ambient room temperature	Lower the temperature setting
	The heat exchanger on the indoor or outdoor unit is dirty	Clean the affected heat exchanger
	The air filter is dirty	Remove the filter and clean it according to instructions
	The air inlet or outlet of either unit is blocked	Turn the unit off, remove the obstruction and turn it back on
	Doors and windows are open	Make sure that all doors and windows are closed while operating the unit
	Excessive heat is generated by sunlight	Close windows and curtains during periods of high heat or bright sunshine
	Low refrigerant due to leak or long-term use	Check for leaks, re-seal if necessary and top off refrigerant
<b>The unit starts and stops frequently</b>	There's too much or too little refrigerant in the system	Check for leaks and recharge the system with refrigerant
	There is air, incompressible gas or foreign material in the refrigeration system.	Evacuate and recharge the system with refrigerant
	System circuit is blocked	Determine which circuit is blocked and replace the malfunctioning piece of equipment
	The compressor is broken	Replace the compressor
	The voltage is too high or too low	Install a manostat to regulate the voltage
<b>Poor heating performance</b>	The outdoor temperature is lower than 7°C (44.5°F)	Check for leaks and recharge the system with refrigerant
	Cold air is entering through doors and windows	Make sure that all doors and windows are closed during use
	Low refrigerant due to leak or long-term use	Check for leaks, re-seal if necessary and top off refrigerant

## European Disposal Guidelines

5

Users in European Countries may be required to properly dispose of this unit. This appliance contains refrigerant and other potentially hazardous materials. When disposing of this appliance, the law requires special collection and treatment. **DO NOT** dispose of this product as household waste or unsorted municipal waste.

When disposing of this appliance, you have the following options:

- Dispose of the appliance at designated municipal electronic waste collection facility.
- When buying a new appliance, the retailer will take back the old appliance free of charge.
- The manufacturer will also take back the old appliance free of charge.
- Sell the appliance to certified scrap metal dealers.

**NOTE:** Disposing of this appliance in the forest or other natural surroundings endangers your health and is bad for the environment. Hazardous substances may leak into the ground water and enter the food chain.



All the pictures in the manual are for explanatory purposes only. The actual shape of the unit you purchased may be slightly different, but the operations and functions are the same. The company may not be held responsible for any misprinted information. The design and the specifications of the product for reasons, such as product improvement, are subject to change without any prior notice.

Please consult with the manufacturer at +30 211 300 3300 or with the Sales agency for further details. Any future updates to the manual will be uploaded to the service website, and it is advised to always check for the latest version.



Scan here to download the latest version of this manual.  
[www.inventorairconditioner.com/media-library](http://www.inventorairconditioner.com/media-library)

# Activate your Warranty

Follow the next quick steps to activate your warranty:

## STEP 1

Visit our website via the link:

<https://www.inventorairconditioner.com/warranty-inventor>

or by scanning the QR code, as follows:



## STEP 2

Fill in the obligatory fields as requested in the "Owner's details" and "Unit's details":

To activate the warranty card, please fill in the following fields

Owner's details	Unit details
Owner's Full Name	Unit Model
Address*	Serial Number of the unit*

## STEP 3

Click SEND button at the end of the submission form:

Subscribe to Inventor's Newsletter

I accept the terms and conditions.

once the warranty submission has been completed a confirmation message will be sent to your email

## STEP 4

Wait for the confirmation email you will receive at the email address you have filled in - please also check your spam folder.

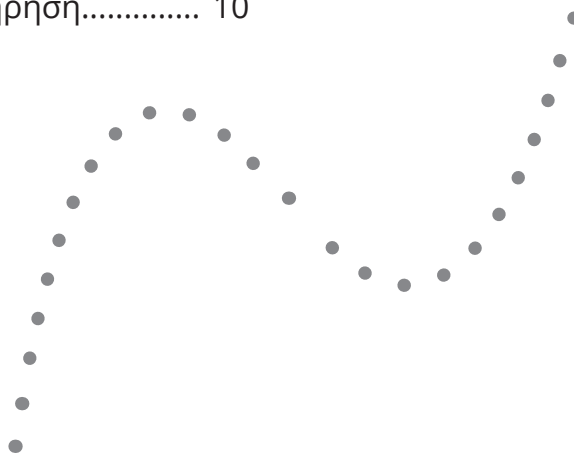
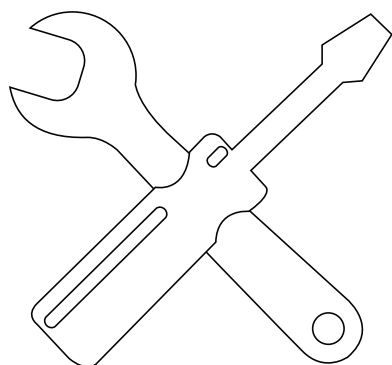
## STEP 5

Inventor warranty is now valid!

# Περιεχόμενα

## Εγχειρίδιο Χρήσης

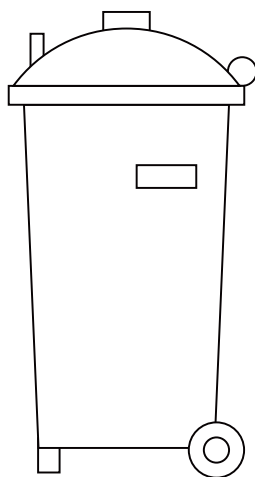
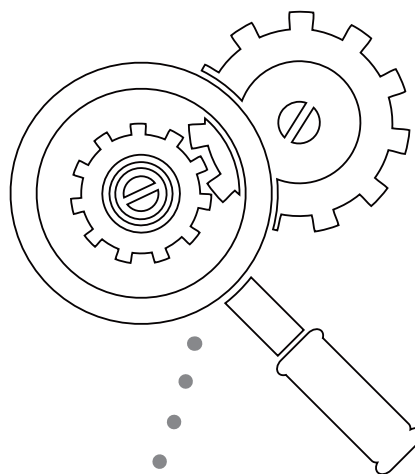
- 1** Προφυλάξεις Ασφαλείας ..... 04
- 2** Εξαρτήματα και Λειτουργίες  
της εσωτερικής μονάδας ..... 06
- 3** Χειροκίνητη Λειτουργία και Συντήρηση..... 10



**4** Επίλυση προβλημάτων..... 11

Συνήθη προβλήματα..... 11

Συμβουλές για την επίλυση προβλημάτων ..... 13



**5** Ευρωπαϊκές Οδηγίες για την απόρριψη του προϊόντος..... 14



**Προσοχή: Κίνδυνος πυρκαγιάς**  
(μόνο για ψυκτικό R32/R290)

**ΠΡΟΕΙΔΟΠΟΙΗΣΗ:** Το σέρβις θα πρέπει να πραγματοποιείται μόνο όπως συνιστάται από τον κατασκευαστή του εξοπλισμού. Η συντήρηση και επισκευή, εφόσον απαιτεί τη βοήθεια άλλου εξειδικευμένου προσωπικού, θα πρέπει να εκτελούνται υπό την επίβλεψη του ατόμου που είναι αρμόδιο για τη χρήση εύφλεκτων ψυκτικών μέσων. Για περισσότερες λεπτομέρειες παρακαλούμε συμβουλευθείτε τις πληροφορίες για το σέρβις στο ΕΓΧΕΙΡΙΔΙΟ ΕΓΚΑΤΑΣΤΑΣΗΣ .(Αυτό απαιτείται εάν η μονάδα χρησιμοποιεί μόνο ψυκτικό R32/R290)

# Προφυλάξεις Ασφαλείας

# 1

Σας ευχαριστούμε που αγοράσατε αυτό το κλιματιστικό. Αυτό το εγχειρίδιο παρέχει πληροφορίες σχετικά με τη λειτουργία, τη συντήρηση και την επίλυση προβλημάτων του κλιματιστικού σας. Η τήρηση των οδηγιών εξασφαλίζει τη σωστή λειτουργία και τη παράταση της διάρκειας ζωής της μονάδας.

**Πρέπει να δίνετε προσοχή στα ακόλουθα σύμβολα:**



**ΠΡΟΕΙΔΟΠΟΙΗΣΗ**

**Μη συμμόρφωση με τις οδηγίες μπορεί να οδηγήσει στον θάνατο. Η συσκευή θα πρέπει να εγκαθίσταται σύμφωνα με τους εθνικούς κανονισμούς.**



**ΠΡΟΣΟΧΗ**

**Μη συμμόρφωση τις οδηγίες μπορεί να έχει σαν αποτέλεσμα τραυματισμό ή βλάβη του εξοπλισμού.**



## ΠΡΟΕΙΔΟΠΟΙΗΣΗ

- Ζητήστε από έναν εξουσιοδοτημένο αντιπρόσωπο να εγκαταστήσει αυτό το κλιματιστικό. Αν η εγκατάσταση δεν γίνει σωστά, μπορεί να προκληθεί διαρροή νερού, ηλεκτροπληξία ή πυρκαγιά.
- Η εγγύηση ακυρώνεται, αν η μονάδα δεν εγκατασταθεί από επαγγελματίες.
- Αν προκύψει ασυνήθιστη λειτουργία (όπως οσμή υλικού που καίγεται), διακόψτε την παροχή ρεύματος και επικοινωνήστε με τον αντιπρόσωπο για οδηγίες σχετικά με την αποφυγή ηλεκτροπληξίας, πυρκαγιάς ή τραυματισμού.
- **MHN** αφήνετε να βραχεί η εσωτερική μονάδα ή το τηλεχειριστήριο. Μπορεί να προκληθεί ηλεκτροπληξία ή πυρκαγιά.
- **MHN** βάζετε τα δάχτυλά σας, ραβδιά ή άλλα αντικείμενα στα ανοίγματα εισαγωγής ή εξαγωγής αέρα. Μπορεί να προκληθεί τραυματισμός, καθώς ο ανεμιστήρας μπορεί να περιστρέφεται με υψηλή ταχύτητα.
- **MHN** χρησιμοποιείτε εύφλεκτα σπρέι όπως λακ, λούστρο ή βαφή κοντά στη μονάδα. Μπορεί να προκληθεί πυρκαγιά ή καύση των υλικών.

- **MHN** χρησιμοποιείτε μέσα επιτάχυνσης της διαδικασίας απόψυξης ή καθαρισμού, διαφορετικά από εκείνα που συνιστώνται από τον κατασκευαστή.
- Η συσκευή θα πρέπει να φυλάσσεται έτσι ώστε να προστατεύεται από μηχανικές βλάβες.
- Πρέπει να γνωρίζετε ότι το ψυκτικό μέσο μπορεί να μην αναδίδει οσμή.
- Θα πρέπει να τηρούνται οι εθνικοί κανονισμοί όσον αφορά τα αέρια.
- **MHN** φράσσετε τα ανοίγματα εξαερισμού.
- **MHN** τρυπάτε και μην βάζετε φωτιά στη συσκευή.
- Η συσκευή πρέπει να αποθηκεύεται σε καλά εξαεριζόμενο χώρο με μέγεθος που αντιστοιχεί στο προβλεπόμενο εμβαδόν για τη λειτουργία της.
- Οποιοδήποτε άτομο απασχολείται με κύκλωμα ψυκτικού μέσου ή επεμβαίνει σε αυτό, θα πρέπει να διαθέτει έγκυρο και σε ισχύ πιστοποιητικό από αρχή πιστοποιημένη από τον κλάδο, η οποία αρχή βεβαιώνει την ικανότητα του ατόμου για ασφαλή χειρισμό ψυκτικών μέσων και σύμφωνα με προδιαγραφή αξιολόγησης αναγνωρισμένη από τον κλάδο.

- Το σέρβις θα πρέπει να πραγματοποιείται μόνο όπως συνιστάται από τον κατασκευαστή του εξοπλισμού. Η συντήρηση και επισκευή, εφόσον απαιτεί τη βοήθεια άλλου εξειδικευμένου προσωπικού, θα πραγματοποιηθεί υπό την επίβλεψη του ατόμου που διαθέτει πιστοποίηση στη χρήση εύφλεκτων ψυκτικών μέσων.



## ΠΡΟΣΟΧΗ

- **MHN** αγγίζετε το άνοιγμα εξαγωγής αέρα ενώ κινείται ο ανεμιστήρας. Μπορεί να παγιδευτούν τα δάχτυλά σας ή να υποστεί ζημιά η μονάδα.
- **MHN** εκτελείτε οι ίδιοι επιθεώρηση της μονάδας. Ζητήστε από έναν εξουσιοδοτημένο αντιπρόσωπο να εκτελέσει την επιθεώρηση.
- Για να αποφύγετε τη μείωση της απόδοσης του προϊόντος, μην χρησιμοποιείτε το κλιματιστικό για σκοπούς συντήρησης (αποθήκευση τροφίμων, φυτών, ζώων, έργων τέχνης κ.λπ.).
- **MHN** αγγίζετε τις σερπαντίνες του εξατμιστή εντός της εσωτερικής μονάδας. Οι σερπαντίνες του εξατμιστή είναι αιχμηρές και μπορεί να προκαλέσουν τραυματισμούς.
- **MHN** χειρίζεστε τη συσκευή με βρεγμένα χέρια. Μπορεί να προκληθεί ηλεκτροπληξία.
- **MHN** τοποθετείτε κάτω από την εσωτερική μονάδα αντικείμενα που μπορεί να υποστούν ζημιά από την υγρασία. Υγρασία υδρατμών μπορεί να προκύψει με σχετική υγρασία 80%.
- **MHN** εκθέτετε στον κρύο αέρα συσκευές που παράγουν θερμότητα και μην τις τοποθετείτε κάτω από την εσωτερική μονάδα. Μπορεί να προκληθεί ατελής καύση ή παραμόρφωση της μονάδας λόγω της θερμότητας.

- Μετά από μεγάλες περιόδους χρήσης πρέπει να ελέγχετε την εσωτερική μονάδα για να δείτε μήπως κάποιο εξάρτημα έχει υποστεί ζημιά. Αν η εσωτερική μονάδα υποστεί ζημιά, μπορεί να πέσει και να προκαλέσει τραυματισμό.
- Αν το κλιματιστικό χρησιμοποιείται μαζί με άλλες συσκευές θέρμανσης, πρέπει να εξαερίζεται καλά ο χώρος για να μην προκύψει έλλειψη οξυγόνου.
- **MHN** ανεβαίνετε στην εξωτερική μονάδα και μην τοποθετείτε αντικείμενα πάνω της.
- **MHN** χειρίζεστε το κλιματιστικό όταν χρησιμοποιείτε εντομοκτόνα που παράγουν καπνό. Η μονάδα μπορεί να σχηματίσει στρώμα χημικών ουσιών και να θέσει σε κίνδυνο άτομα είναι υπερευαίσθητα σε αυτές τις χημικές ουσίες.
- **MHN** αφήνετε τα παιδιά να παίζουν με το κλιματιστικό.
- **MHN** χρησιμοποιείτε το κλιματιστικό σε χώρους με υγρασία (π.χ. σε λουτρά ή πλυσταριά). Μπορεί να προκληθεί ηλεκτροπληξία και μείωση της απόδοσης του προϊόντος.
- Παρακαλούμε **MHN ΕΠΙΤΡΕΠΕΤΕ** σε παιδιά κάτω των 8 ετών να χρησιμοποιούν αυτή τη συσκευή. Βεβαιωθείτε ότι τα παιδιά, άτομα με αναπηρία (ΑμεΑ) ή έλλειψη γνώσης και εμπειρίας, επιβλέπονται, ανάλογα με την περίπτωση, από άτομα υπεύθυνα για την ασφάλειά τους και δεν αναλαμβάνουν διαδικασίες όπως τον καθαρισμό ή την συντήρηση της συσκευής.
- Τα παιδιά θα πρέπει πάντοτε να επιβλέπονται ώστε να μην παίζουν με τη συσκευή.

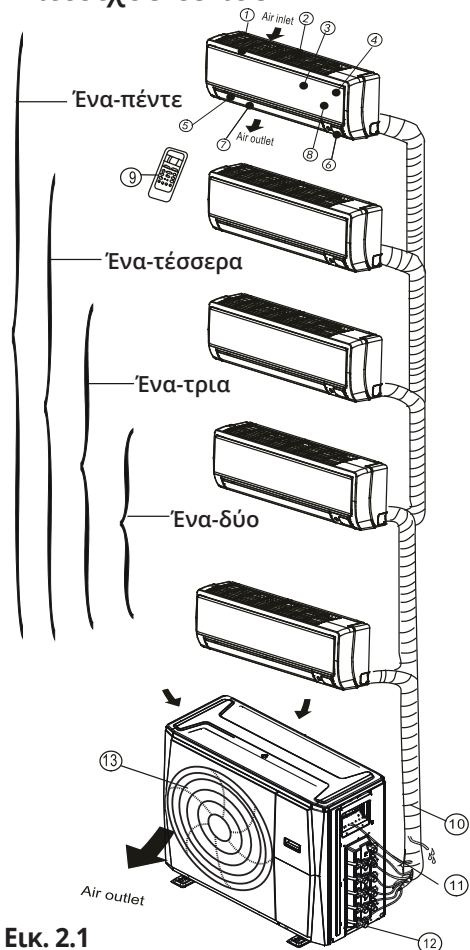


# Εξαρτήματα και κύριες λειτουργίες της εσωτερικής μονάδας

# 2

## Εξαρτήματα της μονάδας

### Επίτοιχου τύπου



Εικ. 2.1

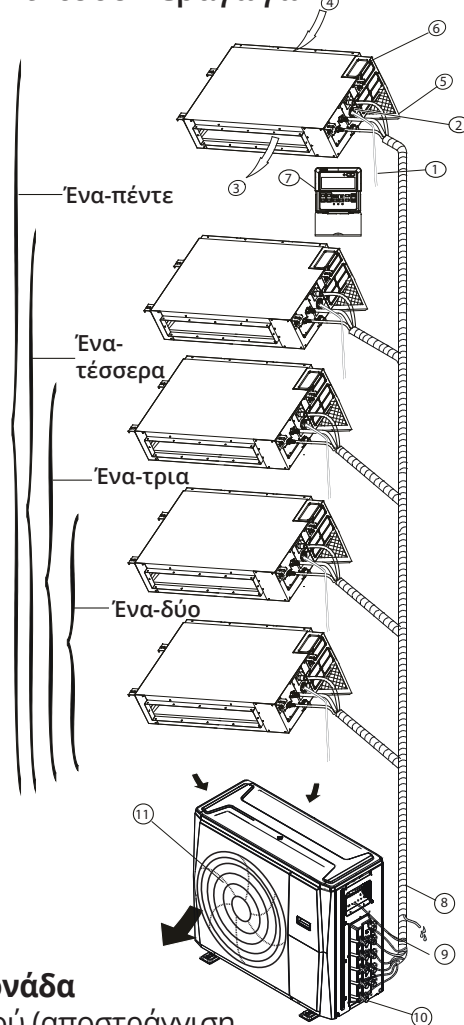
#### Εσωτερική μονάδα

1. Πλαίσιο μάσκας
2. Οπίσθια γρίλια εισροής αέρα
3. Εμπρόσθιο πάνελ
4. Φίλτρο καθαρισμού αέρα & Φίλτρο αέρα(οπίσθιο μέρος)
5. Οριζόντια περσίδα
6. Οθόνη ένδειξης LCD
7. Κατακόρυφη περσίδα
8. Πλήκτρο χειροκίνητου ελέγχου (οπίσθιο μέρος)
9. Τηλεχειριστήριο

#### Εξωτερική μονάδα

10. Εύκαμπτος σωλήνας αποστράγγισης, συνδετήριος σωλήνας ψυκτικού
11. Καλώδιο σύνδεσης
12. Βαλβίδα διακοπής
13. Κάλυμμα ανεμιστήρα

### Τύπου Δικτύου Αεραγωγών



Εικ. 2.2

#### Εσωτερική μονάδα

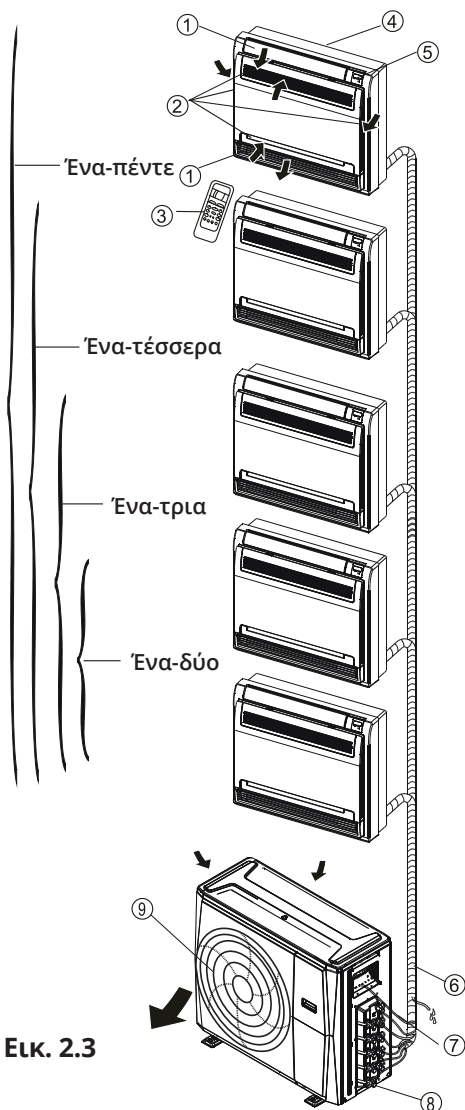
1. Αντλία νερού (αποστράγγιση νερού από την εσωτερική μονάδα)
2. Αγωγός Αποστράγγισης
3. Εξαγωγή Αέρα
4. Εισαγωγή Αέρα
5. Φίλτρο Αέρα
6. Ηλεκτρολογικό Κουτί
7. Ενσύρματο Χειριστήριο

#### Εξωτερική μονάδα

8. Εύκαμπτος σωλήνας αποστράγγισης, συνδετήριος σωλήνας ψυκτικού
9. Καλώδιο σύνδεσης
10. Βαλβίδα διακοπής
11. Κάλυμμα ανεμιστήρα



## Κονσόλα



Εικ. 2.3

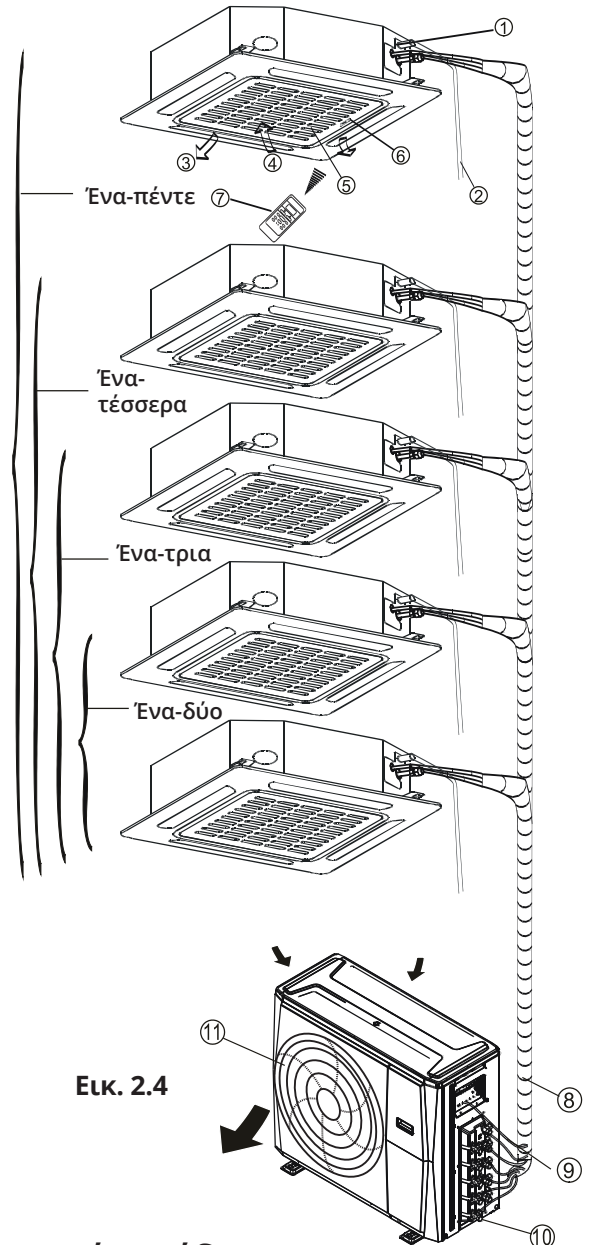
### Εσωτερική μονάδα

1. Περίδα κατεύθυνσης ροής αέρα (στην έξοδο αέρα)
2. Εισαγωγή αέρα (περιέχει φίλτρο αέρα)
3. Τηλεχειριστήριο
4. Τμήμα προς εγκατάσταση
5. Οθόνη ενδείξεων

### Εξωτερική μονάδα

6. Εύκαμπτος σωλήνας αποστράγγισης, συνδετήριο σωλήνας ψυκτικού
7. Καλώδιο σύνδεσης
8. Βαλβίδα διακοπής
9. Κάλυμμα ανεμιστήρα

## Τύπου Κασέτα



Εικ. 2.4

### Εσωτερική μονάδα

1. Αντλία νερού (αποστράγγιση νερού από την εσωτερική μονάδα)
2. Αγωγός Αποστράγγισης
3. Εξαγωγή αέρα
4. Είσοδος αέρα
5. Γρίλια εισροής αέρα
6. Οθόνη ενδείξεων
7. Τηλεχειριστήριο

### Εξωτερική μονάδα

8. Εύκαμπτος σωλήνας αποστράγγισης, συνδετήριο σωλήνας ψυκτικού
9. Καλώδιο σύνδεσης
10. Βαλβίδα διακοπής
11. Κάλυμμα ανεμιστήρα

**ΣΗΜΕΙΩΣΗ:** Για κλιματιστικά τύπου multi-split, μια εξωτερική μονάδα μπορεί να συνδυάζεται με εσωτερικές μονάδες διαφορετικών τύπων. Όλες οι εικόνες στο εγχειρίδιο αυτό είναι παραδειγματικές και μόνο. Το κλιματιστικό σας ενδέχεται να διαφέρει ελαφρώς, από αυτό που προμηθευτήκατε. Στις επόμενες σελίδες παρουσιάζονται πολλών ειδών εσωτερικές μονάδες οι οποίες μπορούν να συνδυάζονται με τις εξωτερικές μονάδες.

## Συνθήκες λειτουργίας

Για ασφαλή και αποτελεσματική λειτουργία, πρέπει να χρησιμοποιείτε το σύστημα υπό τις ακόλουθες θερμοκρασίες. Αν το κλιματιστικό χρησιμοποιηθεί υπό διαφορετικές συνθήκες, μπορεί να προκύψει δυσλειτουργία ή να μειωθεί η απόδοσή του.

	Λειτουργία COOL (Ψύξη)	Πρόγραμμα HEAT	Θέση λειτουργίας DRY
<b>Θερμοκρασία εσωτερικού χώρου</b>	17-32°C(62-90°F)	0-30°C (32-86°F)	17-32°C(62-90°F)
<b>Εξωτερική θερμοκρασία</b>	0-50°C (32-122°F)	-15-24°C (5-75°F)	0-50°C (32-122°F)
	-15-50°C (5-122°F) (Για μοντέλα με συστήματα ψύξης χαμηλής θερμοκρασίας ή «low-temp»)		
	0-60°C (32-140°F) (Για ειδικά μοντέλα τροπικών προδιαγραφών)	-7-24°C (19-75°F)	0-60°C (32-140°F)

## Χαρακτηριστικά

### Προστασία του κλιματιστικού μηχανήματος Προστασία του συμπιεστή

- Ο συμπιεστής δεν μπορεί να επανεκκινήσει για 3 λεπτά μετά τη διακοπή.

### Λειτουργία έξυπνης προθέρμανσης ή anti-cold

- Η μονάδα είναι σχεδιασμένη έτσι ώστε να μην εξάγει ψυχρό αέρα σε λειτουργία HEAT, όταν ο εσωτερικός εναλλάκτης θερμότητας είναι σε μία από τις τρεις παρακάτω καταστάσεις και δεν έχει επιτευχθεί η ρυθμισμένη θερμοκρασία.

A) Όταν η θέρμανση μόλις έχει ξεκινήσει.

B) Κατά την απόψυξη.

Γ) Θέρμανση χαμηλής θερμοκρασίας.

- Ο εσωτερικός ή εξωτερικός ανεμιστήρας σταματά να λειτουργεί κατά την απόψυξη (μόνο μοντέλα ψύξης και θέρμανσης).

### Απόψυξη

- Μπορεί να δημιουργηθεί πάγος στην εξωτερική μονάδα στη διάρκεια κύκλου θέρμανσης, όταν η εξωτερική θερμοκρασία είναι χαμηλή και υπάρχει υψηλή υγρασία, με αποτέλεσμα μειωμένη απόδοση του κλιματιστικού μηχανήματος.
- Σε αυτές τις συνθήκες, το κλιματιστικό θα σταματήσει τη λειτουργία θέρμανσης και θα ξεκινήσει αυτόματα την απόψυξη.

- Η απόψυξη μπορεί να εκτελεστεί σε διάστημα 4-10 λεπτών, ανάλογα με την εξωτερική θερμοκρασία και την ποσότητα πάγου που έχει σχηματιστεί στην εξωτερική μονάδα.

### Αυτόματη επανεκκίνηση

Σε περίπτωση διακοπής ρεύματος, η λειτουργία του συστήματος διακόπτεται αμέσως. Όταν το ρεύμα επανέλθει, η ενδεικτική λυχνία λειτουργίας στην εσωτερική μονάδα αρχίζει να αναβοσβήνει. Για να επανεκκινήσετε τη μονάδα, πατήστε το πλήκτρο ON/OFF στο τηλεχειριστήριο. Αν το σύστημα διαθέτει λειτουργία αυτόματης επανεκκίνησης, η μονάδα θα επανεκκινηθεί χρησιμοποιώντας τις ίδιες ρυθμίσεις.

### Εξέρχεται ατμός από την εσωτερική μονάδα

- Ενδέχεται να εξέλθει ατμός λόγω της μεγάλης διαφοράς θερμοκρασίας μεταξύ της εισαγωγής και της εξαγωγής αέρα σε λειτουργία COOL, σε σημεία με υψηλή σχετική υγρασία.
- Ενδέχεται να εξέλθει ατμός λόγω της υγρασίας που δημιουργείται κατά τη διαδικασία της απόψυξης, όταν το κλιματιστικό επανεκκινεί σε λειτουργία HEAT μετά την απόψυξη.

### Θόρυβος από το κλιματιστικό

- Ενδέχεται να ακούσετε ένα ανεπαίσθητο φύσημα όταν λειτουργεί ο συμπιεστής ή όταν διακοπεί η λειτουργία του. Αυτός ο ήχος αφορά το ψυκτικό που ρέει ή τείνει να σταματήσει τη ροή του.

- Ενδέχεται επίσης να ακούσετε ένα ελαφρό «τρίξιμο» όταν λειτουργεί ο συμπιεστής ή εάν όταν σταματήσει η λειτουργία του. Αυτό προκαλείται λόγω της θερμικής διαστολής και συστολής κατά την ψύξη, των πλαστικών εξαρτημάτων της μονάδας, κατά την εναλλαγή της θερμοκρασίας.
- Ενδέχεται να ακουστεί θόρυβος λόγω του ότι η περσίδα επανέρχεται στην αρχική θέση της, κατά την πρώτη έναρξη της λειτουργίας του.

### Εξαγωγή σκόνης από την εσωτερική μονάδα

Αυτό συμβαίνει εάν το κλιματιστικό δεν έχει χρησιμοποιηθεί για μεγάλο χρονικό διάστημα ή όταν χρησιμοποιείται για πρώτη φορά.

### Εκλύεται οσμή από τη εσωτερική μονάδα

Αυτό προκαλείται από την έκλυση οσμών από την εσωτερική μονάδα οι οποίες κατακρατούνται από τα δομικά υλικά, τα έπιπλα ή τον καπνό.

### Το κλιματιστικό μπαίνει σε λειτουργία FAN ONLY από COOL ή HEAT

Όταν η εσωτερική θερμοκρασία φτάσει στη ρυθμισμένη τιμή της, ο συμπιεστής θα σταματήσει αυτόματα και το κλιματιστικό θα περάσει σε λειτουργία ανεμιστήρα (FAN). Ο συμπιεστής θα εκκινήσει ξανά όταν η εσωτερική θερμοκρασία αυξηθεί σε λειτουργία COOL ή μειωθεί σε λειτουργία HEAT, στο προκαθορισμένο σημείο.

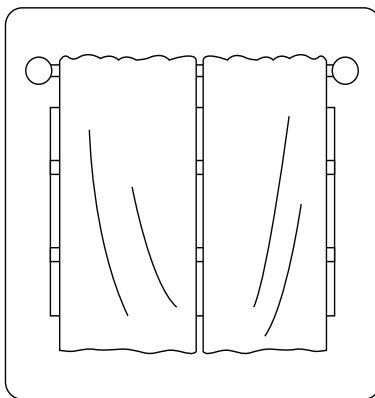
Ενδέχεται να σχηματίζονται σταγονίδια νερού στην επιφάνεια της εσωτερικής μονάδας όταν η μονάδα ψύχει σε σχετικά υψηλή υγρασία (η οποία ορίζεται ως υψηλότερη του 80%). Ρυθμίστε την οριζόντια περσίδα στη θέση γωνιάς για μέγιστη εξαγωγή αέρα και επιλέξτε ταχύτητα ανεμιστήρα HIGH.

### Λειτουργία θέρμανσης

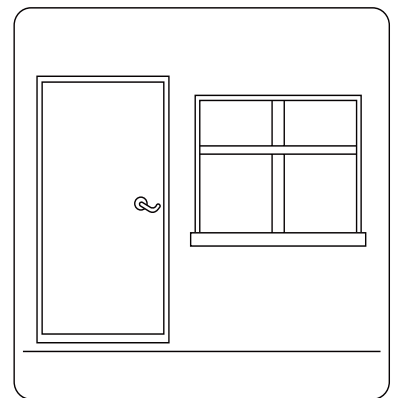
Το κλιματιστικό προσλαμβάνει θερμότητα από την εξωτερική μονάδα και κατά την θέρμανση, την αποδίδει μέσω της εσωτερικής μονάδας. Όταν πέσει η εξωτερική θερμοκρασία, η θερμότητα που προσάγει το κλιματιστικό από το περιβάλλον, μειώνεται ανάλογα. Ταυτόχρονα, το θερμικό φορτίο του κλιματιστικού αυξάνεται λόγω της μεγαλύτερης διαφοράς μεταξύ εσωτερικής και εξωτερικής θερμοκρασίας. Εάν δεν μπορεί να επιτευχθεί η επιθυμητή θερμοκρασία μόνο μέσω του κλιματιστικού, συνιστάται να χρησιμοποιείτε κάποια συμπληρωματική θερμαντική συσκευή. Η λειτουργία του φωτισμού ή κάποιου ασύρματου συστήματος επικοινωνίας σε αυτοκίνητο που βρίσκεται κοντά, μπορεί να προκαλέσει τη δυσλειτουργία της μονάδας. Αποσυνδέστε τη μονάδα από την παροχή ρεύματος και κατόπιν επανασυνδέστε τη μονάδα στην παροχή ρεύματος. Πιέστε το πλήκτρο ON/OFF στο τηλεχειριστήριο για να επανεκκινήσετε τη λειτουργία του κλιματιστικού.

## Συμβουλές για εξοικονόμηση ενέργειας

- **MHN** ρυθμίζετε τη μονάδα σε υπερβολικά υψηλά ή χαμηλά θερμοκρασιακά εύρη.
- Κατά τη λειτουργία ψύξης πρέπει να κλείνετε τις κουρτίνες για να αποφεύγετε το άμεσο ηλιακό φως.
- Οι πόρτες και τα παράθυρα πρέπει να διατηρούνται κλειστά για να διατηρείται μέσα στο χώρο ο ψυχρός ή θερμός αέρας.
- **MHN** τοποθετείτε αντικείμενα κοντά στα ανοίγματα εισαγωγής και εξαγωγής αέρα της μονάδας. Αυτό μειώνει την απόδοση της μονάδας.
- Ρυθμίστε ένα χρονοδιακόπτη και χρησιμοποιήστε την ενσωματωμένη λειτουργία SLEEP/ECONOMY (αναστολή λειτουργίας/οικονομική λειτουργία), αν αυτό είναι εφικτό.
- Αν δεν σκοπεύετε να χρησιμοποιήσετε τη μονάδα για μεγάλο χρονικό διάστημα, αφαιρέστε τις μπαταρίες από το τηλεχειριστήριο.
- Πρέπει να καθαρίζετε το φίλτρο αέρα κάθε δύο εβδομάδες. Αν το φίλτρο βρομίσει, μειώνεται η απόδοση ψύξης ή θέρμανσης.
- Ρυθμίστε κατάλληλα τις περσίδες και αποφεύγετε την απευθείας έκθεση στο ρεύμα αέρα.



Το κλείσιμο των κουρτινών κατά τη θέρμανση συμβάλλει επίσης στην αποφυγή των απωλειών θερμότητας



Οι πόρτες και τα παράθυρα θα πρέπει να παραμένουν κλειστά.

# Χειροκίνητη Λειτουργία και Συντήρηση

## 3

### Επιλογή προγράμματος λειτουργίας

Όταν λειτουργούν ταυτόχρονα δύο ή περισσότερες εσωτερικές μονάδες, βεβαιωθείτε ότι δεν βρίσκονται σε αντικρουόμενες θέσεις λειτουργίας. Η λειτουργία θέρμανσης υπερσχύει οποιασδήποτε άλλης λειτουργίας. Εάν η μονάδα ξεκίνησε τη λειτουργία της σε θέρμανση (HEAT), οι άλλες μονάδες μπορούν να λειτουργούν μόνο σε HEAT αντίστοιχα. Για παράδειγμα: Εάν η μονάδα ξεκίνησε τη λειτουργία της σε λειτουργία ψύξης ή ανεμιστήρα (COOL ή FAN), οι άλλες μονάδες μπορούν να λειτουργούν σε οποιαδήποτε λειτουργία εκτός από HEAT. Εάν σε μια από τις μονάδες επιλεγεί η λειτουργία HEAT, οι άλλες μονάδες λειτουργία θα σταματήσουν και θα ενεργοποιηθεί η ένδειξη (μόνο για μονάδες με οθόνη ενδείξεων) ή θα αναβοσβήνουν γρήγορα οι ενδεικτικές λυχνίες αυτόματης ρύθμισης (auto) και λειτουργίας, η ενδεικτική λυχνία απόψυξης θα σβήσει και η ενδεικτική λυχνία χρονοδιακόπτη θα παραμείνει αναμμένη (για μονάδες χωρίς οθόνη ενδείξεων). Εναλλακτικά, θα ανάψουν η ενδεικτική λυχνία απόψυξης και συναγερμού (εάν διατίθενται) ή η ενδεικτική λυχνία λειτουργίας θα αναβοσβήνει γρήγορα και η ενδεικτική λυχνία χρονοδιακόπτη θα σβήσει (για τύπου Δαπέδου Οροφής και ντουλάπας).

### Συντήρηση

Εαν σκοπεύετε να μη λειτουργήσετε το κλιματιστικό για μεγάλο χρονικό διάστημα, ακολουθήστε τα παρακάτω:

1. Καθαρίστε την εσωτερική μονάδα και το φίλτρο αέρα.
2. Επιλέξτε λειτουργία FAN ONLY και αφήστε τον ανεμιστήρα της εσωτερικής μονάδας να λειτουργήσει για κάποιο χρονικό διάστημα ώστε να στεγνώσει το εσωτερικό της μονάδας.
3. Αποσυνδέστε από τη παροχή ρεύματος και αφαιρέστε την μπαταρία από το τηλεχειριστήριο.
4. Ελέγξτε ανά διαστήματα τα εξαρτήματα της εσωτερικής μονάδας. Επικοινωνήστε με τον τοπικό σας αντιπρόσωπο ή με κέντρο εξυπηρέτησης πελατών εάν τυχόν η μονάδα χρειάζεται σέρβις.

**ΣΗΜΕΙΩΣΗ:** Πριν από τον καθαρισμό του κλιματιστικού, φροντίστε να απενεργοποιήσετε τη μονάδα και να αποσυνδέσετε από τη παροχή ρεύματος.

### Βέλτιστη λειτουργία

Για να επιτευχθεί η βέλτιστη απόδοση, σημειώστε τα παρακάτω:

- Ρυθμίστε την κατεύθυνση της ροής του αέρα έτσι ώστε να μην εξέρχεται απευθείας στο ανθρώπινο σώμα.
- Ρυθμίστε τη θερμοκρασία έτσι ώστε να επιτευχθούν οι καλύτερες δυνατές συνθήκες. Μην ρυθμίζετε τη μονάδα σε υπερβολικά υψηλά ή χαμηλά θερμοκρασιακά επίπεδα.
- Κλείνετε τις πόρτες και παράθυρα κατά τη λειτουργία COOL ή HEAT.
- Χρησιμοποιήστε το πλήκτρο TIMER ON (χρονοδιακόπτη) στο τηλεχειριστήριο για να επιλέξετε την ώρα που θέλετε να ενεργοποιήσετε το κλιματιστικό σας.
- Μην τοποθετείτε αντικείμενα κοντά στην εισαγωγή ή την εξαγωγή του αέρα καθώς η απόδοση του κλιματιστικού μπορεί να μειωθεί και μπορεί ακόμα και να διακοπεί η λειτουργία του.
- Καθαρίζετε ανά διαστήματα το φίλτρο αέρα, διαφορετικά μπορεί να μειωθεί η απόδοση ψύξης ή θέρμανσης.
- Μην θέτετε σε λειτουργία τη μονάδα όταν η οριζόντια περσίδα είναι κλειστή.

### Υπόδειξη:

**Για μονάδες που διαθέτουν ηλεκτρικό θερμαντήρα, όταν η εξωτερική θερμοκρασία του περιβάλλοντος είναι κάτω των 0°C (32°F), συνιστάται ιδιαίτερα να διατηρείτε το μηχάνημα συνδεδεμένο στη πρίζα, έτσι ώστε να εξασφαλίζεται η ομαλή λειτουργία του.**

### Όταν πρόκειται να χρησιμοποιηθεί ξανά το κλιματιστικό:

- Χρησιμοποιήστε στεγνό πανί για να σκουπίσετε τη σκόνη που έχει συγκεντρωθεί επάνω στην οπίσθια γρίλια εισαγωγής αέρα, προκειμένου να αποφύγετε τυχόν διάχυση της σκόνης από την εσωτερική μονάδα.
- Βεβαιωθείτε ότι η καλωδίωση δεν έχει φθαρεί ή αποσυνδεθεί.
- Βεβαιωθείτε ότι το φίλτρο αέρα έχει τοποθετηθεί σωστά.
- Ελέγξτε αν τυχόν η εξαγωγή ή η εισαγωγή αέρα είναι φραγμένη σε περίπτωση που το κλιματιστικό δεν έχει χρησιμοποιηθεί για μεγάλο χρονικό διάστημα.



# Επίλυση προβλημάτων

# 4



## ΠΡΟΦΥΛΑΞΕΙΣ

Αν προκύψει κάποιο από τα παρακάτω, αποσυνδέστε αμέσως από την παροχή ρεύματος και επικοινωνήστε με τον αντιπρόσωπο για περαιτέρω βοήθεια.

- Η ενδεικτική λυχνία λειτουργίας συνεχίζει να αναβοσβήνει γρήγορα μετά από την επανεκκίνηση της μονάδας.
- Τα πλήκτρα του τηλεχειριστηρίου δε λειτουργούν.
- Η μονάδα ρίχνει συνεχώς τις ασφάλειες και τους ασφαλειοδιακόπτες.
- Έχει εισχωρήσει κάποιο ξένο σώμα ή νερό στο κλιματιστικό.
- Άλλες μη φυσιολογικές συνθήκες.

## Συνήθη προβλήματα

Τα ακόλουθα συμπτώματα δεν υποδεικνύουν δυσλειτουργία και στις περισσότερες περιπτώσεις, δεν απαιτείται επισκευή.

Πρόβλημα	Πιθανά Αίτια
<b>Η μονάδα δεν ενεργοποιείται μέσω του πλήκτρου ON/OFF.</b>	Η μονάδα διαθέτει λειτουργία προστασίας 3 λεπτών, η οποία εμποδίζει την υπερφόρτωση της μονάδας. Η μονάδα δεν μπορεί να εκκινήσει εντός του διαστήματος των τριών λεπτών από τη στιγμή που θα απενεργοποιηθεί.
	Μοντέλα με λειτουργία ψύξης και θέρμανσης: Αν οι ενδεικτικές λυχνίες λειτουργίας και PRE-DEF (Προθέρμανση/Απόψυξη) είναι αναμμένες, η εξωτερική θερμοκρασία είναι πολύ χαμηλή και έχει ενεργοποιηθεί η λειτουργία έξυπνης προθέρμανσης για την απόψυξη της μονάδας.
	Στα μοντέλα που διαθέτουν μόνο λειτουργία ψύξης: Αν είναι αναμμένη η ενδεικτική λυχνία "Fan Only" (Μόνο ανεμιστήρας), η εξωτερική θερμοκρασία είναι πολύ χαμηλή και έχει ενεργοποιηθεί η λειτουργία έξυπνης προθέρμανσης για την απόψυξη της μονάδας.
<b>Η μονάδα μεταβαίνει από τη λειτουργία COOL (Ψύξη) στη λειτουργία FAN (Ανεμιστήρας)</b>	Η μονάδα αλλάζει τη ρύθμισή της για να εμποδίσει τον σχηματισμό πάγου. Μόλις αυξηθεί η θερμοκρασία, η μονάδα αρχίζει να λειτουργεί ξανά.
	Έχει επιτευχθεί η καθορισμένη θερμοκρασία, οπότε απενεργοποιείται ο συμπιεστής. Η μονάδα λειτουργεί όταν η θερμοκρασία μεταβληθεί.
<b>Η εσωτερική μονάδα βγάζει λευκό καπνό</b>	Στις περιοχές με υψηλή υγρασία, μια μεγάλη διαφορά θερμοκρασίας μεταξύ του αέρα του χώρου και του αέρα που εξέρχεται από το κλιματιστικό μπορεί να προκαλέσει το σχηματισμό λευκού καπνού.
<b>Η εσωτερική και η εξωτερική μονάδα βγάζουν λευκό καπνό</b>	Όταν η μονάδα επανεκκινείται στη λειτουργία HEAT (Θέρμανση) μετά από απόψυξη, μπορεί να αρχίσει να βγάζει λευκό καπνό, εξαιτίας της υγρασίας που δημιουργείται από τη διαδικασία απόψυξης.

<b>Πρόβλημα</b>	<b>Πιθανά Αίτια</b>
<b>Η εσωτερική μονάδα παράγει θορύβους</b>	Ακούγεται ένα τρίξιμο όταν το σύστημα είναι στη λειτουργία OFF (Απενεργοποίηση) ή COOL (Ψύξη). Ο θόρυβος ακούγεται επίσης όταν λειτουργεί η αντλία αποστράγγισης (προαιρετική).
	Ο θόρυβος τριξίματος μπορεί να προκύψει από τη λειτουργία HEAT (Θέρμανση) λόγω διαστολής και συστολής των πλαστικών εξαρτημάτων της μονάδας.
<b>Η εσωτερική και η εξωτερική μονάδα παράγουν θορύβους</b>	Κατά τη λειτουργία μπορεί να ακούγεται ένας χαμηλός ήχος σφυρίγματος. Αυτό είναι φυσιολογικό και προκαλείται από τη ροή του ψυκτικού αερίου στην εσωτερική και την εξωτερική μονάδα.
	Μπορεί να ακούγεται ένας χαμηλός ήχος σφυρίγματος όταν το σύστημα εκκινείται, όταν έχει μόλις σταματήσει ή όταν εκτελείται η διαδικασία απόψυξης. Αυτός ο θόρυβος είναι φυσιολογικός και προκαλείται από τη διακοπή ή αλλαγή κατεύθυνσης της ροής του ψυκτικού μέσου.
<b>Η εξωτερική μονάδα παράγει θορύβους</b>	Η μονάδα παράγει διάφορους ήχους ανάλογα με την τρέχουσα κατάσταση λειτουργίας.
<b>Βγαίνει σκόνη από την εσωτερική ή την εξωτερική μονάδα</b>	Στη μονάδα μπορεί να συσσωρευτεί σκόνη κατά τη διάρκεια παρατεταμένων περιόδων μη χρήσης. Στη συνέχεια, όταν η μονάδα τεθεί σε λειτουργία, αυτή η σκόνη εξέρχεται στον χώρο. Για να μετριάσετε αυτό το φαινόμενο, μπορείτε να καλύπτετε τη μονάδα κατά τη διάρκεια μεγάλων περιόδων αδράνειας.
<b>Η μονάδα εκλύει δυσάρεστη οσμή</b>	Η μονάδα μπορεί να απορροφά οσμές από το περιβάλλον (έπιπλα, μαγείρεμα, τσιγάρα κ.λπ.) και να τις εκλύει κατά τη διάρκεια της λειτουργίας.
	Τα φίλτρα της μονάδας έχουν πιάσει μούχλα και σκόνη και πρέπει να καθαριστούν.
<b>Ο ανεμιστήρας της εξωτερικής μονάδας δεν λειτουργεί</b>	Κατά τη διάρκεια της λειτουργίας, η ταχύτητα του ανεμιστήρα ελέγχεται ώστε να βελτιστοποιείται η λειτουργία του κλιματιστικού.

## Συμβουλές για την επίλυση προβλημάτων

Όταν παρουσιάζονται προβλήματα, θα πρέπει να ελέγχετε τα παρακάτω προτού επικοινωνήσετε με αδειοδοτημένο τεχνικό.

Πρόβλημα	Πιθανά Αίτια	Επίλυση
<b>Η μονάδα δεν λειτουργεί</b>	Διακοπή ρεύματος	Περιμένετε να επανέλθει το ρεύμα
	Ο διακόπτης λειτουργίας είναι στη θέση απενεργοποίησης	Γυρίστε τον διακόπτη στη θέση ενεργοποίησης
	Η ασφάλεια έχει καεί	Αντικαταστήστε την ασφάλεια
	Οι μπαταρίες του τηλεχειριστηρίου έχουν εξαντληθεί	Αντικαταστήστε τις μπαταρίες του τηλεχειριστηρίου
	Έχει ενεργοποιηθεί η λειτουργία προστασίας 3 λεπτών της μονάδας	Περιμένετε τρία λεπτά μέχρι να επανεκκινήσετε τη μονάδα
<b>Μειωμένη απόδοση ψύξης</b>	Η ρύθμιση της θερμοκρασίας μπορεί να είναι υψηλότερη από την θερμοκρασία του χώρου	Μειώστε τη ρυθμισμένη θερμοκρασία
	Έχει συσσωρευτεί βρομιά στον εναλλάκτη θερμότητας της εσωτερικής ή της εξωτερικής μονάδας	Καθαρίστε τον εναλλάκτη θερμότητας
	Έχει συσσωρευτεί βρομιά στο φίλτρο αέρα	Αφαιρέστε το φίλτρο και καθαρίστε το σύμφωνα με τις οδηγίες
	Το άνοιγμα εισαγωγής ή εξαγωγής αέρα στην εσωτερική ή στην εξωτερική μονάδα είναι φραγμένο	Απενεργοποιήστε τη μονάδα, απομακρύνετε το εμπόδιο και ενεργοποιήστε την ξανά
	Οι πόρτες και τα παράθυρα είναι ανοιχτά	Βεβαιωθείτε ότι όλες οι πόρτες και τα παράθυρα είναι κλειστά όταν λειτουργεί η μονάδα
	Παράγεται υπερβολική θερμότητα από το ηλιακό φως	Φροντίστε να κλείνετε τα παράθυρα και τις κουρτίνες κατά τη διάρκεια περιόδων υψηλών θερμοκρασιών ή έντονης ηλιακάδας
	Χαμηλή στάθμη ψυκτικού μέσου λόγω διαρροής ή μακροχρόνιας χρήσης	Ελέγξτε για διαρροές, στεγανοποιήστε ξανά το σύστημα αν χρειάζεται και συμπληρώστε το ψυκτικό μέσο
<b>Η μονάδα εκκινείται και σταματά συχνά</b>	Υπάρχει πολύ μεγάλη ή πολύ μικρή ποσότητα ψυκτικού μέσου στο σύστημα	Ελέγξτε για διαρροές και εξασφαλίστε επαρκή πλήρωση του συστήματος με ψυκτικό μέσο
	Υπάρχει αέρας, ασυμπίεστο αέριο ή ξένο σώμα στο σύστημα ψύξης.	Εκκενώστε και εξασφαλίστε επαρκή πλήρωση του συστήματος με ψυκτικό μέσο
	Κάποιο κύκλωμα του συστήματος έχει μπλοκάρει	Εντοπίστε το μπλοκαρισμένο κύκλωμα και αντικαταστήστε το εξάρτημα που δεν λειτουργεί σωστά
	Υπάρχει βλάβη στον συμπιεστή	Αντικαταστήστε τον συμπιεστή
	Η τάση είναι υπερβολικά υψηλή ή υπερβολικά χαμηλή	Τοποθετήστε ένα ρυθμιστή πίεσης για τον έλεγχο της τάσης
<b>Μειωμένη απόδοση θέρμανσης</b>	Η εξωτερική θερμοκρασία είναι χαμηλότερη από 7 °C (44,5 °F)	Ελέγξτε για διαρροές και εξασφαλίστε επαρκή πλήρωση του συστήματος με ψυκτικό μέσο
	Εισέρχεται κρύος αέρας από τις πόρτες και τα παράθυρα	Βεβαιωθείτε ότι όλες οι πόρτες και τα παράθυρα είναι κλειστά κατά τη διάρκεια της λειτουργίας του κλιματιστικού
	Χαμηλή στάθμη ψυκτικού μέσου λόγω διαρροής ή μακροχρόνιας χρήσης	Ελέγξτε για διαρροές, στεγανοποιήστε ξανά το σύστημα αν χρειάζεται και συμπληρώστε το ψυκτικό μέσο

## Ευρωπαϊκές Οδηγίες για την απόρριψη του προϊόντος

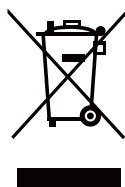
# 5

Για τους χρήστες εντός της Ευρωπαϊκής Ένωσης, η απόρριψη της μονάδας πρέπει να γίνει με κατάλληλο τρόπο. Αυτή η συσκευή περιέχει ψυκτικό και άλλα ενδεχομένως επικίνδυνα υλικά. Για την απόρριψη αυτής της συσκευής, ο νόμος απαιτεί ειδικές μεθόδους συλλογής και επεξεργασίας. **ΜΗΝ** απορρίψετε αυτό το προϊόν ως οικιακό απόρριμμα ή ως δημοτικό απόβλητο που δεν έχει περάσει από διαδικασία διαλογής.

Για την απόρριψη αυτής της συσκευής έχετε τις παρακάτω επιλογές:

- Μπορείτε να απορρίψετε τη συσκευή σε καθορισμένη δημοτική εγκατάσταση συλλογής άχρηστων ηλεκτρονικών συσκευών.
- Όταν αγοράζετε μια καινούργια συσκευή, το κατάστημα λιανικής πώλησης μπορεί να παραλάβει δωρεάν την παλιά συσκευή.
- Ο κατασκευαστής μπορεί επίσης να παραλάβει δωρεάν την παλιά συσκευή.
- Μπορείτε να πουλήσετε τη συσκευή σε πιστοποιημένους εμπόρους άχρηστων μετάλλων.

**ΣΗΜΕΙΩΣΗ:** Η απόρριψη της συσκευής στο ύπαιθρο ή σε δασική περιοχή είναι επιβλαβής για την υγεία σας και το περιβάλλον. Υπάρχει η πιθανότητα διαρροής επικίνδυνων ουσιών στα υπόγεια ύδατα και στη συνέχεια η είσοδος τους στην αλυσίδα της διατροφής.



Όλες οι εικόνες στο παρόν εγχειρίδιο εξυπηρετούν επεξηγηματικούς σκοπούς. Το προϊόν που προμηθευτήκατε μπορεί να εμφανίζει ορισμένες διαφορές ως προς το σχήμα, ωστόσο οι λειτουργίες και τα χαρακτηριστικά παραμένουν ίδια. Η εταιρεία δεν φέρει ευθύνη για τυχόν τυπογραφικά λάθη. Ο σχεδιασμός και οι προδιαγραφές του προϊόντος μπορεί να τροποποιηθούν χωρίς προηγούμενη ειδοποίηση με σκοπό τη βελτίωση των προϊόντων. Για λεπτομέρειες, απευθυνθείτε στον κατασκευαστή στο 211 300 3300 ή στον αντιπρόσωπο. Τυχόν ενημερώσεις του εγχειρίδιου θα αναρτηθούν στην ιστοσελίδα του κατασκευαστή, παρακαλούμε να ελέγξετε για την πιο πρόσφατη έκδοση.



Σαρώστε εδώ για να κατεβάσετε την τελευταία έκδοση του εγχειριδίου.  
[www.inventoraircondition.gr/media-library](http://www.inventoraircondition.gr/media-library)



# Υποβολή Εγγύησης

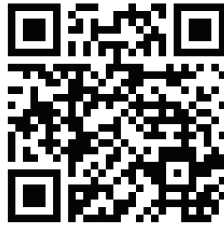
Ακολουθήστε τα παρακάτω σύντομα βήματα για να ενεργοποιήσετε την εγγύησή σας:

## ΒΗΜΑ 1

Επισκεφθείτε την ιστοσελίδα μας μέσω του παρακάτω συνδέσμου:

<https://www.inventoraircondition.gr/egiisi-inventor>

ή σκανάροντας τον ακόλουθο κωδικό QR:



## ΒΗΜΑ 2

Συμπληρώστε όλα τα απαραίτητα πεδία όπως ζητούνται στα "Στοιχεία ιδιοκτήτη" και "Στοιχεία μηχανήματος":

Για να ενεργοποιήσετε την εγγύηση, παρακαλούμε συμπληρώστε τα παρακάτω πεδία:

Στοιχεία ιδιοκτήτη	Στοιχεία μηχανήματος
Όνομα	Τύπος
Διεύθυνση*	Σειριακός αριθμός μηχανήματος*

## ΒΗΜΑ 3

Πατήστε το κουμπί ΑΠΟΣΤΟΛΗ, στο κάτω μέρος της φόρμας υποβολής:

Διεύθυνση email\*

Να εγγραφώ στο newsletter της Inventor

**ΑΠΟΣΤΟΛΗ** της αποδέχεστε τους όρους και τις προϋποθέσεις.

Μολις ολοκληρωθεί η υποβολή της εγγύησης θα λάβετε την επιβεβαίωση κατοχύρωσης στο email σας

## ΒΗΜΑ 4

Θα λάβετε σχετικό mail επιβεβαίωσης στη διεύθυνση email που έχετε δηλώσει. Παρακαλούμε ελέγξτε και τον φάκελο με τα Ανεπιθύμητα εισερχόμενα.

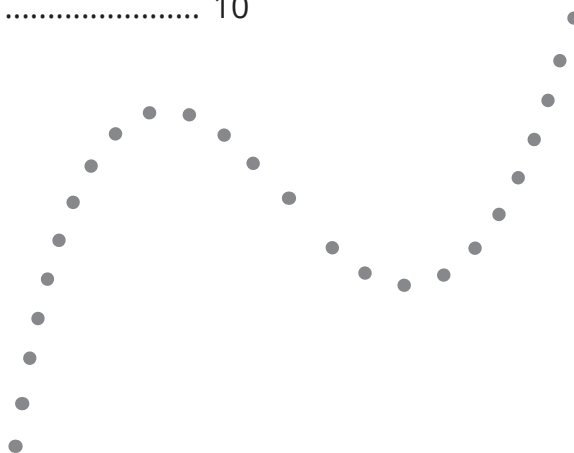
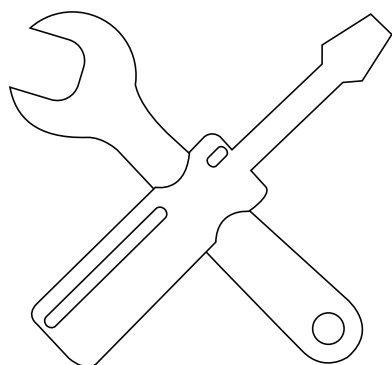
## ΒΗΜΑ 5

Έχετε υποβάλει επιτυχώς την εγγύηση του προϊόντος Inventor!

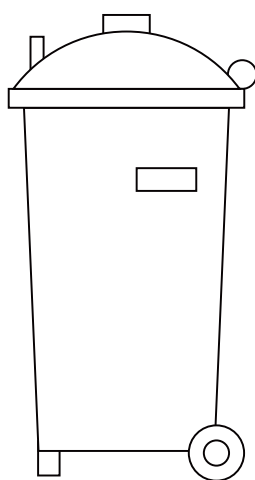
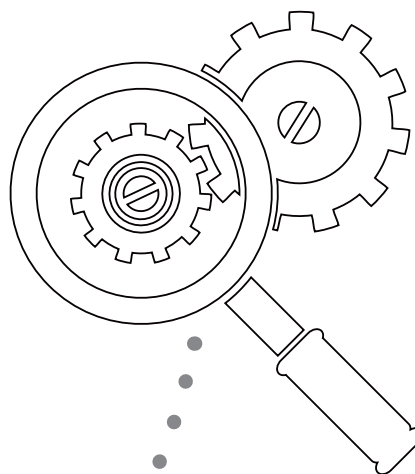
# Cuprins

## Manualul utilizatorului

- 1** Masuri de siguranta.....04
- 2** Unitatea si functiile principale.....06
- 3** Operarea manuala si mentenanta ..... 10



<b>4</b>	Depanare .....	11
	Situatii des intalnite .....	11
	Sfaturi de depanare.....	13



<b>5</b>	Directivile europene pentru eliminarea deseului .....	14
----------	--	----



Atentie: **PERICOL DE INCENDIU**  
(avertisment valabil pentru  
agent frigorific R32/R290)

**AVERTISMENT:** Lucrarile de service vor fi facute de catre personalul producatorului. Lucrarile de mentenanta si reparatie, vor fi facute de catre alte persoane calificate, sub atenta supraveghere a persoanei autorizate pentru lucrari ce implica agenti frigorifici inflamabili. Mai multe informatii veti gasi in manualul de instalare. (valabil doar pentru aparatele ce folosesc agent frigorific R32/R290).

# Masuri de siguranta

# 1

Multumim pentru ca ati achizitionat aparatul de aer conditionat Inventor. Acest manual va ofera informatii cu privire la operarea, intretinerea si depanarea unitatii dumneavoastra. Urmand sfaturile si instructiunile din acest manual, veti asigura functionarea corecta a aparatului si prelungirea perioadei de utilizare.

**Va rugam sa fiti atent la urmatoarele semne de semnalizare:**



**AVERTIZARE**

**Ignorarea instructiunilor poate duce la deces. Aparatul va fi instalat doar respectand normele nationale si legislatia in vigoare.**



**ATENTIE**

**Ignorarea acestor instructiuni poate duce la ranirea utilizatorului sau defectarea aparatului.**



## Avertizare

- Instalarea va fi facuta de catre un distribuitor autorizat. Instalarea incorecta a aparatului poate cauza scurgeri de apa, socuri electrice sau incendii.
- Garantia va fi anulata in cazul in care unitatea nu a fost instalata de personal autorizat.
- In cazul unei situatii anormale (simti miros de fum), opriti imediat aparatul si contactati distribuitorul pentru instructiuni.
- **NU** umeziti/udati telecomanda. Pericol de soc electric.
- **NU** introduceti degetele, bete sau alte obiecte in gurile de admisie/evacuare a aerului. Pericol de ranire datorita ventilatoarelor.
- **NU** folositi spray-uri inflamabile (fixativ, deodorant, etc.) sau oja/vopsea, langa aparat. Pericol de incendiu.
- **NU** folositi alte metode pentru curatarea/degivrarea aparatului, fata de cele recomandate de catre producator.
- Aparatul va fi depozitat intr-o incapere in care nu exista surse de scanteie sau de combustie (flacari deschise, incalzitoare electrice, etc.)
- Asigurati-va ca aparatul nu va suferi socuri mecanice.

- Luati in considerare faptul ca agentul frigorific poate fi inodor.
- Respectati normele si legile in vigoare cu privire la instalatiile ce folosesc gaze.
- Gurile de ventilatie (admisie/evacuare aer), vor fi intotdeauna libere si nu vor fi obstructionate.

**NOTA:** aceste instructiuni se aplica aparatelor ce folosesc agent frigorific R32/R290.

- **NU** perforati si nu ardeti unitatea
- Unitatea va fi instalata si folosita intr-o incapere bine ventilata iar suprafata incaperii corespunde cu cerintele aparatului.
- Persoanele care vor incepe orice tip de lucrare asupra aparatului sau a traseului frigorific, vor fi autorizate de catre autoritatile competente.
- Lucrarile de service vor fi facute in conformitate cu cerintele producatorului. Lucrarile de mentenanta si reparatie ce necesita alte persoane calificate, vor fi supravegheate de catre persoane competente si autorizate pentru lucrari cu agenti frigorifici inflamabili.
- In cazul deteriorarii cablului de alimentare, acesta trebuie inlocuit de catre producator, departamentul de service sau alte persoane calificate.



## Atentie

- **NU** atingeti gura de evacuare a aerului in timp ce flapsul se misca. Va puteti prinde degetele si unitatea se poate defecta.
  - **NU** inspectati unitatea de unul singur. Cereti suportul unui dealer autorizat.
  - Pentru a preveni defectarea aparatului, acesta nu va fi folosit in scopul conservarii alimentelor, plantelor, animalelor sau a operelor de arta.
  - **NU** atingeti arcurile evaporatorului situat in interiorul unitatii. Aceste arcuri sunt ascutite si va puteti rani.
  - **NU** operati aparatul cand aveti mainile ude. Pericol de electrocutare.
  - **NU** asezati obiecte ce pot fi afectate de umiditate, langa aparat. Condensarea se intampla la un nivel al umiditatii de 80%.
  - **NU** asezati, pentru racire, obiecte fierbinti sub unitatea interioara. Aparatul se va defecta.
  - Verificati periodic unitatea pentru a va sigura de integritatea acesteia.
  - Daca folositi aparatul de aer conditionat impreuna cu un dispozitiv pentru incalzire, ventilati incaperea pentru a reduce riscul deficientei de oxigen.
  - **NU** va urcati pe unitatea externa si nu asezati alte obiecte pe aceasta.
- **NU** utilizati aparatul atunci cand folositi insecticide. Substantele chimice se pot depune pe unitate si va pot afecta sanatatea.
  - **NU** permiteti copiilor sa se joace cu acest aparat.
  - **NU** folositi aparatul intr-o camera cu umiditate ridicata (baie, spalatorie). Pericol de electrocutare sau defectare a aparatului.
  - Copiilor cu varsta sub 8 ani nu le va fi permis sa opereze aceste aparate. Copii, persoanele care sufera de handicapuri sau persoanele fara cunostinte sau experienta vor fi supravegheate, in functie de situatie si nu li se va permite sa efectueze lucrari de curatare sau mentenanta.
  - Supravegherea adecata a acestor persoane este importanta. Minorii nu vor fi lasati singuri cu aceste produse.

# Unitatea si functiile principale

# 2

## Unit Parts

### Unitate cu montare pe perete

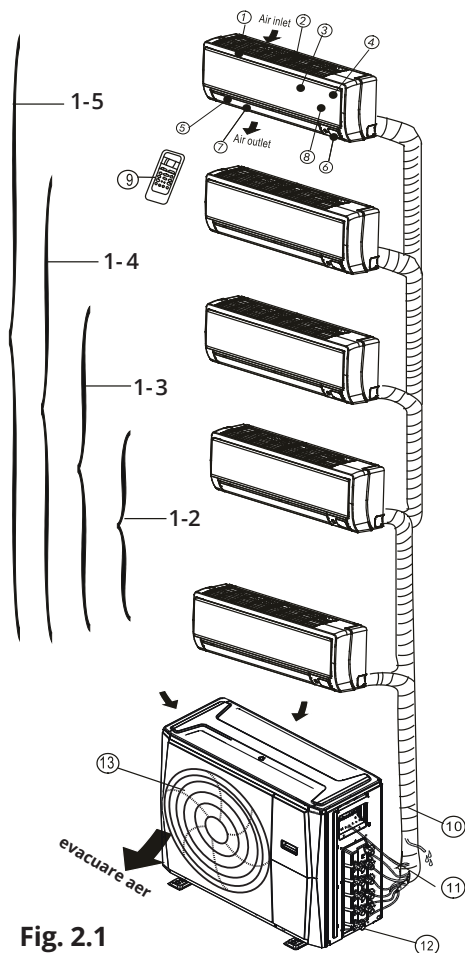


Fig. 2.1

#### Unitate interioara

1. Carcasa panoului
2. Priza admisie aer, posterioara
3. Panou frontal
4. Filtru de aer (in spate) si filtru pentru purificare
5. Flaps orizontal
6. Afisaj LCD
7. Flaps vertical
8. Buton pentru controlul manual (in spate)
9. Suport telecomanda

#### Unitate exterioara

10. Furtun scurgere, jonctiune traseu frigorific
11. Cablu pentru conectare
12. Supapa oprire
13. Protectie ventilator

### Unitate tip Duct

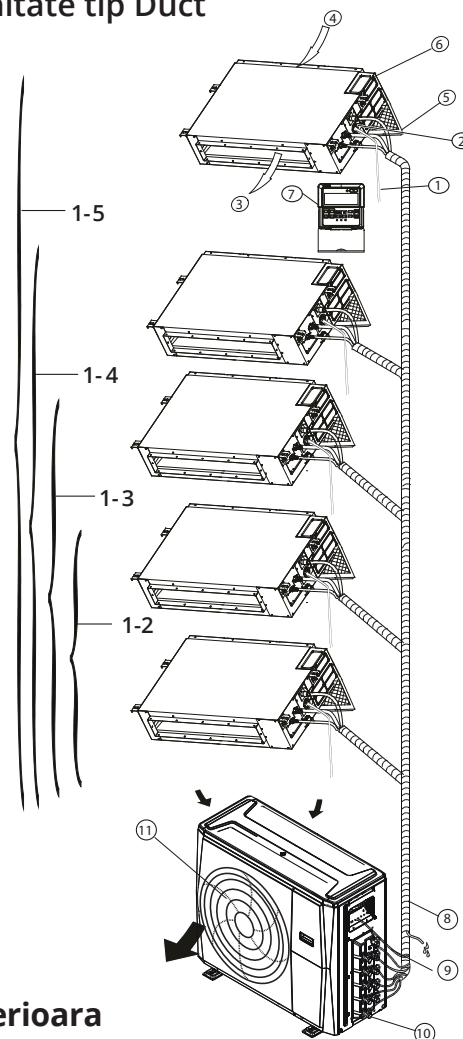


Fig. 2.2

#### Unitate interioara

1. Pompa drenaj (pentru eliminarea apei din unitatea interioara)
2. Furtun scurgere
3. Evacuare aer
4. Admisie aer
5. Filtru aer
6. Panou control electric
7. Telecomanda cu fir

#### Unitate exterioara

8. Furtun scurgere, jonctiune traseu frigorific
9. Cablu pentru conectare
10. Supapa oprire
11. Protectie ventilator

## Unitati cu montare pe podea (console)

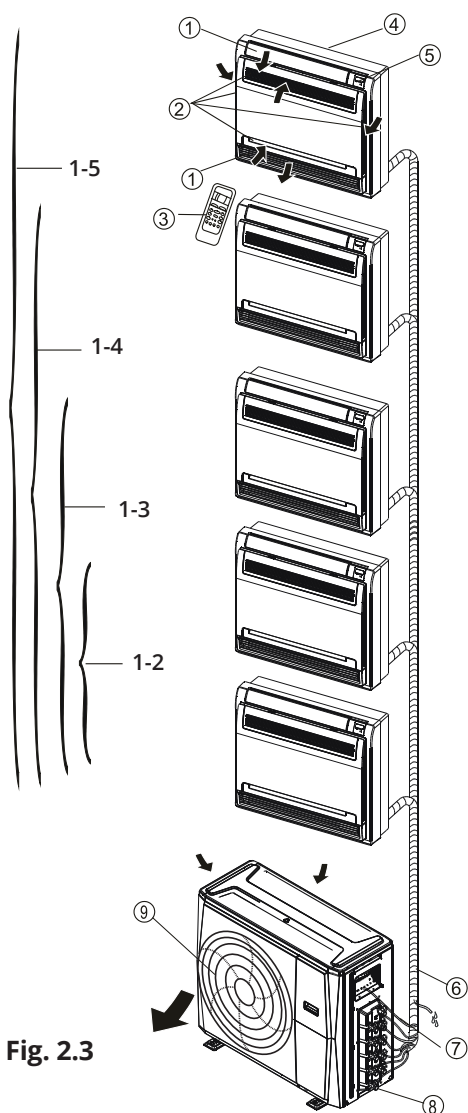


Fig. 2.3

### Unitate interioara

1. Flaps pentru ajustarea fluxului de aer (evacuare aer)
2. Priza admisie aer (contine filtrul de aer)
3. Telecomanda
4. Componenta instalare
5. Panou afisaj

### Unitate exterioara

6. Furtun scurgere, jonctiune traseu frigorific
7. Cablu pentru conectare
8. Supapa oprire
9. Protectie ventilator

## Unitate tip caseta

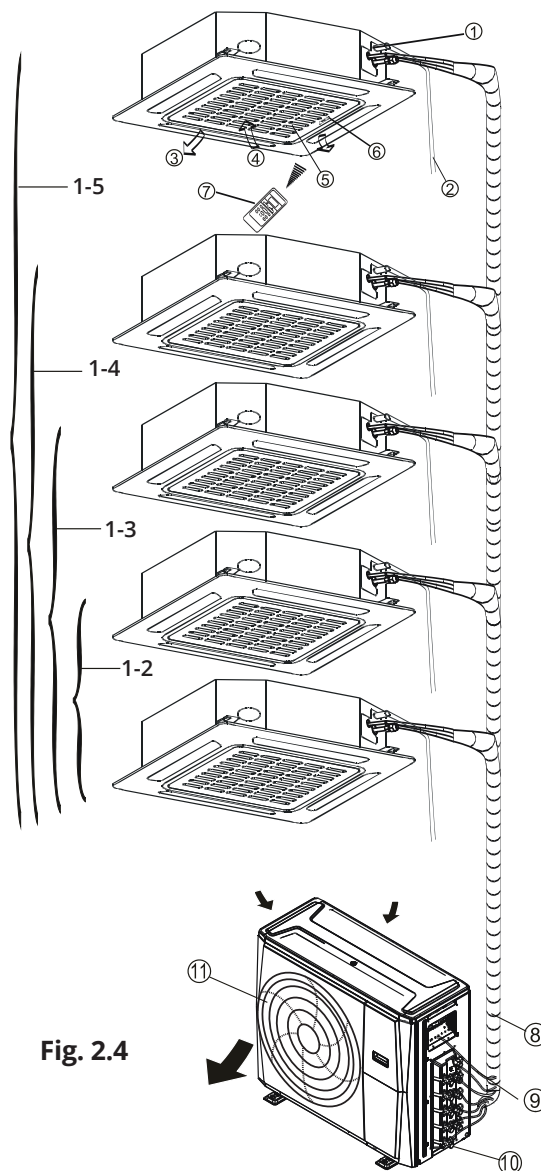


Fig. 2.4

### Unitate interioara

1. Pompa drenaj (pentru eliminarea apei din unitatea interioara)
2. Furtun scurgere
3. Evacuare aer
4. Admisie aer
5. Frila admisie aer
6. Panou afisaj
7. Telecomanda

### Unitate exterioara

8. Furtun scurgere, jonctiune traseu frigorific
9. Cablu pentru conectare
10. Supapa oprire
11. Protectie ventilator

**Nota:** In cazul unitatilor de tip multi-split, o unitate exterioara poate fi folosita impreuna cu modele diferite de unitati interioare. Toate imaginile din acest manual au doar scop informativ. Aparatul dumneavoastra poate fi usor diferit ca structura. In paginile urmatoare, vor fi prezentate mai multe modele de unitati interioare ce pot fi folosite cu unitatile exterioare.

## Conditii de functionare

Pentru a folosi aparatul in siguranta, respectati conditiile de mai jos. In caz de nerespectare a conditiilor, eficienta va scadea si aparatul se poate defecta.

	Modul COOL (racire)	Modul HEAT (incalzire)	Modul DRY (dezumidificare)
<b>Temperatura interioara</b>	17-32°C(62-90°F)	0-30°C (32-86°F)	17-32°C (62-90°F)
<b>Temperatura exterioara</b>	0-50°C (32-122°F)	-15-24°C (5-75°F)	0-50°C (32-122°F)
	-15-50°C (5-122°F) valabil la modelele cu sistem de racire la temperaturi scazute		
	0-60°C (32-140°F) valabil pentru modelele concepute special pentru zone tropicale	-7-24°C (19-75°F)	0-60°C (32-140°F)

## Funcții

### Protectia aparatului de aer conditionat

#### Protectia compresorului.

- Dupa oprire, compresorul nu poate fi repornit o perioada de 3 minute.

#### Protectie anti-aer rece

- Unitatea este conceputa pentru a nu degaja aer rece in timpul functionarii modului HEAT, atunci cand dispozitivul de incalzire se afla in una din urmatoarele situatii si temperatura setata nu a fost atinsa:
  - A) Imediat dupa pornirea modului HEAT
  - B) In timpul degivrării
  - C) Incalzire la temperaturi scazute.
- Ventilatorul extern si cel intern se va opri in timpul procesului de degivrare (valabil doar pentru modelele cu racire si incalzire).

#### Degivrarea

- Eficienta aparatului poate scadea atunci cand gheata se acumuleaza pe unitatea exterioara, datorita unui ciclu de incalzire la temperaturi scazute si umiditate ridicata.
- In acest caz, aparatul va intrerupe functionarea si va incepe procesul de degivrare.
- Durata procesului de degivrare poate dura intre 4 si 10 minute, in functie de temperatura exterioara si cantitatea de gheata acumulata.

#### Auto-Restart

In cazul unei pene de curent, aparatul se va opri imediat. Atunci cand alimentarea cu energie electrica revine, indicatorul luminos de

functionare se va aprinde intermitent. Pentru a reporni unitatea, apasati butonul ON/OFF de pe telecomanda. Daca sistemul este echipat cu functia de auto-restart, unitatea va fi repornita cu aceleasi setari.

#### Pelicula alba degajata de unitatea interioara

- O pelicula alba poate aparea datorita diferentiei mari de temperatura intre priza de admisie aer si cea de evacuare, in timpul functionarii modului COOL, in locatii cu un nivel foarte ridicat al umiditatii.
- Pelicula alba poate fi generata de umiditatea aparuta in timpul procesului de degivrare, atunci cand aparatul este repornit in modul HEAT, dupa degivrare.

#### Zgomote produse de aparatul de aer conditionat

- In timpul functionarii compresorului sau imediat dupa oprirea acestuia, veti auzi un sunet suierat. Acest fenomen este perfect normal, produs de agentul frigorific.
- Puteti auzi, de asemenea, un sunet "scartait", atunci cand compresorul functioneaza sau imediat dupa ce s-a oprit. Acest sunet este produs de dilatarea si contractarea componentelor de plastic.
- In timpul reglării flapsului, puteti auzi un zgomot specific acestei operatiuni.



### **Praf produs de unitatea interioara**

Acest fenomen apare la prima pornire, in cazul in care nu ati folosit aparatul pentru o perioada lunga de timp.

### **Mirosuri produse de unitatea interioara**

Aceste mirosuri pot fi produse de materialele de constructie ale cladirii, mirosurile obiectelor de mobilier sau de fum.

### **Aparatul va putea fi trecut in modul FAN doar din modul COOL sau HEAT**

Cand temperatura interioara atinge nivelul stabilit, compresorul va fi oprit automat si aparatul va trece in modul FAN. Compresorul va porni din nou atunci cand temperatura creste (in modul COOL) sau scade sub nivelul stabilit (in modul HEAT).

Picături de condens se pot forma pe suprafata unitatii interioare atunci cand aparatul este folosit in modul COOL, intr-o incapere cu un nivel ridicat al umiditatii (peste 80%). Reglati flapsul

orizontal in pozitia ce permite circulatia fluxului de aer la nivel maxim si treceti ventilatorul in viteza HIGH.

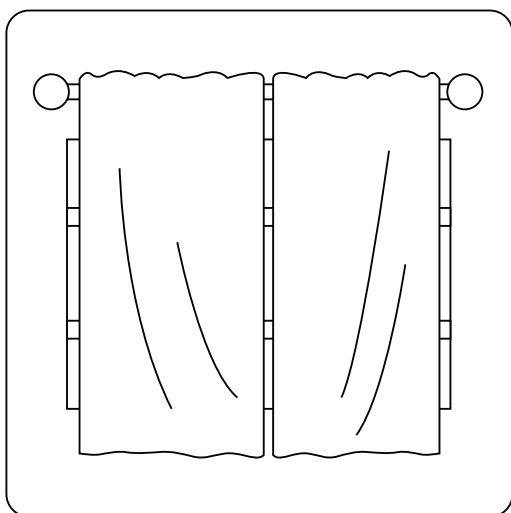
### **Modul HEATING (incalzire), valabil doar pentru unitatile cu racire si incalzire**

Aparatul va transporta caldura de la unitatea interioara si o va degaja cu ajutorul unitatii interioare. Cand temperatura exterioara scade, caldura generata de unitatea exterioara va scadea. In acelasi timp, aparatul de aer conditionat va fi suprasolicitat datorita diferentei mare dintre temperatura interioara si cea exterioara. Daca nu reusiti sa asigurati un nivel confortabil al temperaturii, va recomanda sa folositi o sursa auxiliara de incalzire.

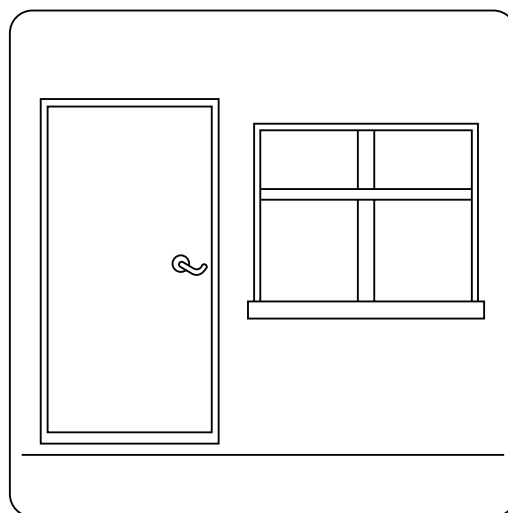
In cazul unui fulger sau interferentelor produse de catre un telefon auto, aparatul poate prezenta defectiuni la folosire. Opriti aparatul si deconectati-l de la priza, apoi reconectati-l si reporniti-l, pentru a rezuma functionarea.

### **Sfaturi pentru economie de energie electrica.**

- **NU** programati aparatul pe temperaturi extreme.
- In timpul racirii, trageți draperiile pentru a reduce patrunderea luminii solare.
- Mentineti inchise usile si ferestrele pentru a pastra temperatura constanta in incapere.
- **NU** obstructionati prizele de admisie/evacuare a aerului. In caz contrar, eficienta aparatului va scadea.
- Folositi functia de temporizator(TIMER)/ECONOMY daca aceste functii sunt disponibile.
- Daca nu veti folosi aparatul pentru o perioada lunga de timp, scoateti bateriile din telecomanda.
- Curatati filtrele de aer cel puțin o data la 2 saptamani. Un filtru murdar va reduce eficienta in incalzire/racire.
- Ajustati unghiul flapsului corect si evitati contactul direct cu fluxul de aer.



**In timpul incalzirii, draperiile trase pot ajuta la pastrarea temperaturii.**



**Usile si ferestrele trebuie sa fie inchise.**

## Operarea manuala si mentenanta

# 3

### Selectarea modului de functionare

In timpul functionarii a 2 unitati interioare, asigurati-va ca modurile de functionare ale unitatilor nu intra in conflict. Modul HEAT are prioritate fata de celelalte moduri. In cazul in care ati pornit prima unitate in modul HEAT, celelalte unitati vor functiona doar in modul HEAT. Exemplu: - daca ati pornit o unitate ce functioneaza in modul COOL (sau FAN), celelalte unitati pe care le veti porni, vor functiona in orice mod in afara de HEAT. In cazul in care selectati modul HEAT la una dintre unitati, celelalte se vor opri si vor afisa mesajul "--" (valabil doar pentru unitati cu display) sau indicatorul luminos pentru AUTO se va aprinde intermitent, indicatorul pentru degivrare se va stinge si indicatorul temporizatorului va ramane aprins (valabil doar pentru unitatile fara display). In cazul unitatilor cu montare pe podea (console), indicatorii pentru degivrare si alarma (daca este disponibil) se vor aprinde, indicatorul luminos de functionare se va aprinde intermitent iar indicatorul temporizatorului se va stinge.

### Mentenanta

Daca urmeaza sa nu folositi aparatul pentru o perioada lunga de timp, respectati urmatoorii pasi:

1. Curatati unitatea interioara si filtrul.
2. Alegeti modul FAN si lasati aparatul sa functioneze o perioada de timp pentru uscarea corecta a interiorului unitatii.
3. Opriti aparatul, scoateti-l din priza si scoateti bateriile din telecomanda.
4. Verificati componentele unitatii exterioare. In cazul in care unitatea necesita lucrari de service, contactati dealer-ul local.

**NOTA:** Inainte de a curata aparatul, opriti-l si scoateti-l din priza.

### Functionarea optima

Pentru a obtine eficienta optima, respectati pasii de mai jos:

- Reglati directia fluxului astfel incat nici o persoana nu va fi afectata.
- Reglati temperatura pentru a obtine un nivel optim de confort, nu folositi temperaturi extreme.
- Inchideti usile si ferestrele in timpul functionarii modului COOL sau HEAT.
- Folositi temporizatorul pentru pornire (TIMER ON), pentru a alege ora de pornire a aparatului.
- Nu introduceti obiecte straine in prizele de admisie/evacuare aer.
- Curatati periodic filtrul pentru a va asigura ca eficienta nu este afectata.
- Nu folositi aparatul atunci cand flapsul orizontal este inchis.

### Recomandare:

**La unitatile ce dispun de un incalzitor electric, atunci cand temperatura exterioara scade sub 0°C (32°F), va recomandam sa mentineti aparatul pornit pentru a garanta functionarea optima.**

### Pasi de urmat atunci cand doriti sa re folositi aparatul:

- Praful acumulat la priza de admisie aer a unitatii interioare va fi sters cu o carpa uscata, pentru a evita dispersarea prafului in interiorul incaperii.
- Asigurati-va ca toate cablajele sunt in conditie perfecta si ca nu sunt intrerupte sau deconectate.
- Asigurati-va ca filtrul este instalat
- Asigurati-va ca nicio gura de admisie/evacuare nu este blocata.

## ATENTIE

In cazul aparitiei uneia dintre situatiile de mai jos, opriti alimentarea cu energie electrica a aparatului si contactati imediat departamentul de service:

- LED-ul semnalizator al alimentarii se aprinde intermitent, rapid, dupa ce unitatea a fost pornita
- Butoanele telecomenzii nu functioneaza
- Aparatul declanseaza in continuu sigurantele panoului electric.
- Obiecte straine sau apa au patruns in interiorul aparatului
- Alte situatii anormale.

## Situatii comune

Simptomele prezentate mai jos nu reprezinta defectiuni si pot fi rezolvate de catre dvs, fara a fi nevoie de reparatii.

Problema	Cauze posibile
<b>Aparatul nu porneste atunci cand este apasat butonul ON/OFF</b>	Aparatul are o perioada de protectie de 3 minute, ce previne suprasolicizarea aparatului. In aceasta perioada, aparatul nu poate fi pornit.
	In timpul functionarii in modul COOL si HEAT: daca semnalul LED si indicatorul PRE-DEF(pre-incalzire/degivrare) sunt aprinse, temperatura exterioara este prea scazuta si protectia anti-inghetare a unitatii este activata pentru a degivra unitatea.
	Pentru modelele care au disponibil doar modul COOL (racire): Daca indicatorul "FAN ONLY" este aprins, functia de degivrare a fost activata datorita temperaturii scazute din exterioara.
<b>Unitatea trece din modul COOL in modul FAN</b>	Aceasta schimbare este datorata protectiei anti-inghet. Aceasta protectie, previne formarii ghetii pe unitate. Odata ce temperatura creste, unitatea va functiona normal.
	Temperatura aleasa a fost atinsa si compresorul se va opri. Compresorul va fi repornit cand temperatura se schimba.
<b>Unitatea interioara degaja o ceata alba</b>	In regiuni umede, diferenta mare de temperatura incaperii si temperatura unitatii interioare, poate degaja o ceata alba.
<b>Atat unitatea interioara cat si cea exterioara degaja ceata alba.</b>	La repornirea in modul HEAT, dupa degivrare, ceata alba poate fi degajata datorita umiditatii generata de procesul de degivrare.

<b>Problema</b>	<b>Cauze posibile</b>
<b>Unitatea interioara emite zgomote.</b>	Un sunet scartait este produs atunci cand aparatul este oprit sau cand functioneaza in modul COOL. Zgomotul se poate produce si cand pompa de scurgere (dispozitiv optional), este operationala.
	Un sunet scartait se poate auzi dupa ce ati folosit aparatul in modul HEAT. Acest sunet este produs de dilatarea si contractarea partilor componente din plastic.
<b>Atat unitatea interioara cat si cea exterioara produc zgomote.</b>	Un susnet sasait poate fi produ in timpul functionarii. Acesta este un fenomen normal, datorat circularii agentului frigorific prin conductele unitatilor.
	Un susnet sasait de intensitate scazuta poate fi auzit atunci cand sistemul este pornit, oprit, functional sau in timpul degivrarii. Sunetul este cauzat de agentul frigorific la oprire sau la schimbarea directiei prin conductele unitatilor.
<b>Unitatea exterioara emite zgomote.</b>	Aparatul genereaza zgomote in functie de modul de functionare.
<b>Unitatea interioara sau cea exterioara degaja praf.</b>	In cazul neutilizarii aparatului pentru o perioada lunga de timp, praful se poate acumula. Acesta va fi eliminat la repornire. Pentru a preveni acest fenomen, puteti acoperii unitatile.
<b>Unitatile produc mirosuri neplacute.</b>	Unitatile vor absorbi mirosuri din mediul inconjurator (gatit, fum de tigara, etc.), care pot fi degajate in timpul functionarii.
	Filtrele au prins mucegai si trebuie curatate.
<b>Ventilatorul unitatii exterioare nu functioneaza.</b>	In timpul functionarii, viteza ventilatorului este controlata automat pentru a optimiza functionarea.

## Sfaturi de depanare

La aparitia acestor probleme, verificati lista inainte de a suna departamentul de service

Problema	Cauze posibile	Solutii
<b>Aparatul nu functioneaza</b>	Pana de curent	Asteptati pana energia electrica revine.
	Aparatul este oprit	Porniti aparatul
	Siguranta arsa	Inlocuiti siguranta
	Bateriile telecomenzii sunt descarcate	Inlocuiti bateriile
	A fost activata protectia de 3 minute	Asteptati 3 minute pana sa reporniti aparatul
<b>Performanta scazuta la racire</b>	Temperatura setata se poate sa fie mai mare decat temperatura incaperii.	Scadeti temperatura setata
	Dispozitivul pentru transferul caldurii, echipat pe unitatea interioara, este murdar.	Curatati dispozitivul de transfer de caldura, afectat.
	Filtrul este murdar	Demontati si curatati filtrul, conform instructiunilor
	Gurile de admisie/evacuare a aerului sunt blocate.	Opriti aparatul, inlaturati obstacolul si porniti aparatul.
	Usile si ferestrele sunt deschise	Asigurati-va ca toate usile si ferestrele sunt inchise in timpul functionarii
	Caldura excesiva generata de lumina solara	Inchideti ferestrele si trageți draperiile in perioade cu temperaturi foarte ridicate sau lumina solara foarte puternica
	Nivel scazut al agentului frigorific, cauzat de o scurgere sau folosire indelungata.	Verificati daca exista scurgeri, resigilati si completati cu agent frigorific.
<b>Unitatea se opreste si porneste frecvent.</b>	Prea mult sau prea putin agent frigorific	Verificati daca exista scurgeri si completati cu agent frigorific.
	Sistemul a fost contaminat cu aer, gaz sau alte materii straine	Purjati sistemul si reumpleti cu agent frigorific
	Circuitul este blocat	Detectati circuitul defect si inlocuiti piesa.
	Compresorul este defect	Inlocuiti compresorul
	Tensiunea nu este conforma (prea scazuta sau prea crescuta)	Instalati un stabilizator de tensiune
<b>Performanta scazuta la incalzire</b>	Temperatura exterioara este sub 7°C (44.5°F)	Verificati daca exista scurgeri si completati cu agent frigorific.
	Aerul rece patrunde in incapere prin usi sau ferestre.	Mentineti usile si ferestrele inchise pe durata folosirii
	Nivel scazut al agentului frigorific, cauzat de o scurgere sau folosire indelungata.	Verificati daca exista scurgeri, resigilati si completati cu agent frigorific.

## Directivele europene pentru eliminarea deseului.

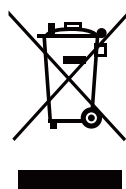
5

Utilizatorii din tarile europene pot fi obligati sa elimine acest produs in anumite conditii. Acest aparat contine agent frigorific si alte materiale nocive. Legea impune colectarea si tratamentul special al acestui tip de deoseu. **NU ARUNCATI** acest aparat impreuna cu deseul municipal.

La eliminarea acestui aparat, respectati urmatoarele aspecte:

- Lasati acest aparat intr-o unitate speciala de colectare a deseurilor electronice.
- La cumpararea unui aparat nou, vanzatorul va poate ridica gratuit echipamentul vechi.
- Producatorul va poate ridica produsul vechi gratuit.
- Puteti vinde aparatul catre firmele care se ocupa cu colectarea fierului vechi.

**NOTA:** Aruncarea acestui aparat in padure sau alte locuri din natura, dauneaza mediului inconjurator. Substantele nocive pot ajunge in panza freatica si in alimente.



Toate imaginile din acest manual, au scop pur informativ. Forma reala a produsului pe care l-ati cumparat poate fi usor diferita inasa functiile si operatiile sunt aceleasi.

Compania nu isi asuma nici o responsabilitate pentru greselile de tipar. Aspectul fizic si specificatiile tehnice se pot schimba fara o notificare prelabila datorita imbunatatirii continue a echipamentelor noastre.

Pentru mai multe detalii, va rugam sa contactati producatorul la numarul de telefon : +30 211 300 3300, sau vanzatorul echipamentului. Toate actualizarile acestui manual vor fi disponibile pe website-ul nostru si va recomandam sa verificati intotdeauna pentru aparitia unei noi versiuni.



Scanati codul QR pentru a descarca ultima versiune a manualului.  
[www.inventoraerconditionat.ro/biblioteca-media](http://www.inventoraerconditionat.ro/biblioteca-media)

# Activeaza-ti garantia

Urmeaza pasii de mai jos pentru activarea garantiei:

## PASUL 1

Viziteaza site-ul nostru urmand linkul:

<https://www.inventoraerconditionat.ro/certificatul-de-garantie-inventor-aer-conditionat-si-electrocasnice>

sau scaneaza cu telefonul tau codul QR de mai jos:



## PASUL 2

Completeaza campurile "Detaliile cumparatorului" si "Detaliile aparatului":

Pentru a activa garantia va rugam sa completati urmatoarele campuri

Detalii cumparatorului	Detalii aparatului
<input type="text" value="Detalii proprietar"/>	<input type="text" value="Detalii unitate"/>
<input type="text" value="Nume cumparator"/>	<input type="text" value="Tip aparat"/>
<input type="text" value="Adresa*"/>	<input type="text" value="Numarul de Serie al aparatului*"/>

## PASUL 3

Dati clic pe butonul TRIMITE, situat in partea stanga jos a formularului de completare a datelor:

Abonati-va la Newsletter-ul Inventor

Test certifica

**TRIMITE** acceptati Termenii si Condiitiile.

Imediat ce formularul pentru garantie a fost completat un mesaj de confirmare va fi trimis pe adresa ta de email

## PASUL 4

Un email de confirmare va fi trimis la adresa de email pe care ati declarat-o. In cazul in care nu ati primit un email avem rugamintea sa verificati de asemenea si folderul Spam.

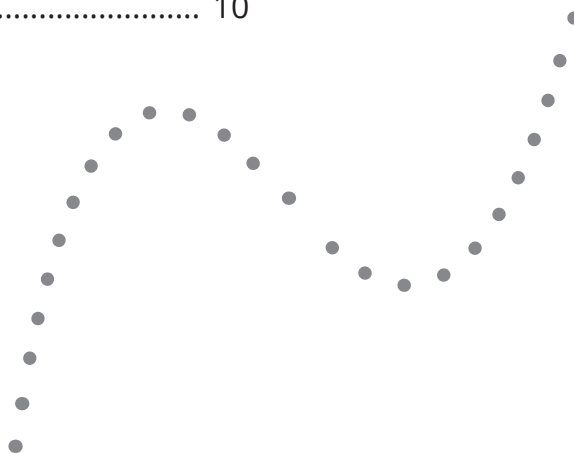
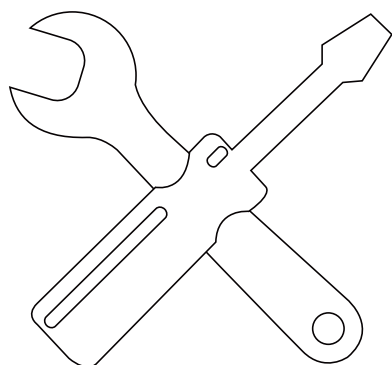
## PASUL 5

Ati activat cu succes Garantia Inventor!

# Inhalt

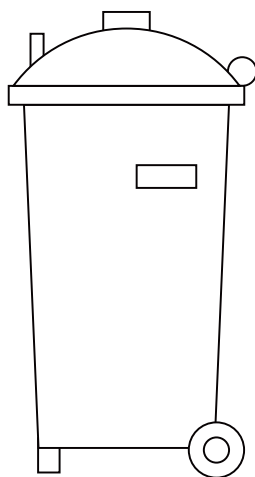
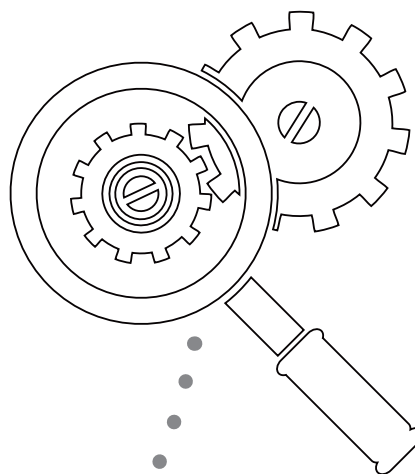
## Benutzerhandbuch

- 1** Sicherheitsvorkehrungen.....04
- 2** Bauteile und Funktionen  
der Inneneinheit ..... 06
- 3** Manueller Betrieb und Wartung ..... 10





<b>4</b>	Fehlerbehebung.....	11
	Übliche Probleme .....	11
	Tipps zum Lösen von Problemen .....	13



<b>5</b>	Europäische Richtlinien bezüglich der Entsorgung des Produkts.....	14
----------	--	----



**Vorsicht: Brandgefahr**  
(nur für Kühlmittel R32/R290)

**WARNUNG:** Die Inspektion darf nur gemäß den Empfehlungen des Herstellers des Gerätes erfolgen. Falls für die Wartung und Reparatur die Hilfe einer anderen Fachperson erforderlich ist, müssen diese unter Aufsicht der Person erfolgen, die für den Umgang mit entflammaren Kühlmitteln zuständig ist. Weiterführende Informationen bezüglich der Inspektion entnehmen Sie bitte dem INSTALLATIONSHANDBUCH. (Dies ist erforderlich nur im Fall in dem das Gerät nur Kühlmittel benutzt R32/R290)

# Sicherheitsvorkehrungen

# 1

Vielen Dank, dass Sie sich für diese Klimaanlage entschieden haben. Dieses Handbuch enthält nützliche Informationen bezüglich der Bedienung, Wartung und Behebung von Problemen Ihrer Klimaanlage. Die Einhaltung der Anweisungen gewährleistet den ordnungsgemäßen Betrieb und die Verlängerung der Lebensdauer des Geräts.

**Sie müssen folgende Symbole beachten:**



**WARNUNG**

**Nichteinhaltung der Anweisungen kann Tod zur Folge haben. Das Gerät muss gemäß den örtlichen und nationalen Vorschriften installiert werden.**



**VORSICHT**

**Nichteinhaltung der Anweisungen kann eine Verletzung oder einen Schaden des Geräts zur Folge haben.**



## **WARNUNG**

- Beauftragen Sie einen autorisierten Händler mit der Installation dieser Klimaanlage. Durch eine nicht ordnungsgemäße Installation kann ein Wasserleck, Stromschlag oder Feuer verursacht werden.
- Die Garantie erlischt, wenn das Gerät nicht von einer Fachperson installiert wird.
- Wenn ein ungewöhnlicher Zustand auftritt (z.B. Geruch eines verbrannten Materials), schalten Sie die Stromversorgung ab und wenden Sie sich an Ihren Händler, um zu Anweisungen zu erhalten, wie Sie einen Stromschlag, Feuer oder Verletzungen vermeiden können.
- Innengerät oder Fernbedienung **NICHT** nass lassen werden. Dies kann zu einem Stromschlag oder Brand führen.
- Stecken Sie ihre Finger, Stöcke oder andere Gegenstände **NICHT** in die Luftenlass- oder Auslassöffnungen. Dies kann zu Verletzungen führen, da sich der Lüfter mit hoher Geschwindigkeit drehen kann.
- **KEINE** entzündlichen Sprays wie Lack, Glasuren oder Farbstoffe in der Nähe des Geräts benutzen. Feuer oder Materialbrand kann die

Folge sein.

- Benutzen Sie **KEINE** Abschreck- oder Reinigungsmittel, die nicht vom Hersteller empfohlen werden.
- Das Gerät muss so aufbewahrt werden, dass es gegen mechanische Schäden geschützt ist.
- Bitte beachten Sie dass das Kühlmittel geruchlos sein kann.
- Es müssen die örtlichen Gasvorschriften eingehalten werden.
- **NICHT** die Lüftungsöffnungen sperren.
- Gerät **NICHT** bohren und nicht in Brand setzen.
- Das Gerät muss in einem gut belüfteten Raum gelagert werden, dessen Größe der für seinen Betrieb vorgesehenen Fläche entspricht.
- Jede Person, die sich mit Kühlmittleitungen beschäftigt bzw. in solche eingreift, muss über ein gültiges und geltendes Zertifikat verfügen, dass von einer branchenbedingten zertifizierten Behörde ausgestellt wird, die die Fähigkeit der Person bestätigt sicher mit Kühlmitteln umzugehen, gemäß den von der Branche anerkannten Beurteilungsvorschriften.
- Die Inspektion darf nur gemäß den Empfeh-

lungen des Herstellers des Gerätes erfolgen. Im Fall in dem für die Wartung und Instandsetzung die Hilfe einer anderen Fachperson erforderlich ist, muss diese unter Aufsicht der Person erfolgen, die über die Zertifizierung für den Umgang mit entzündlichen Kühlmitteln verfügt.

## **VORSICHT**

Öffnung des Luftauslasses **NICHT** bei laufendem Lüfter berühren. Es besteht Verletzungsgefahr für Ihre Finger oder es kann das Gerät beschädigt werden.

- **NICHT** selber die Inspektion durchführen. Beauftragen Sie einen autorisierten Händler mit der Durchführung der Inspektion.
- Verwenden Sie die Klimaanlage nicht zu Aufbewahrungszwecken (Lagerung von Lebensmitteln, Pflanzen, Tieren, Kunstwerken usw.), da dies die Leistungsfähigkeit des Produkts beeinträchtigen kann.

**NICHT** die Dampfrohrschnangen im Innengerät berühren. Dampfrohrschnangen sind scharfkantig und können Verletzungen verursachen.

- Gerät **NICHT** mit nassen Händen bedienen. Dies kann einen Stromschlag zur Folge haben.
- **KEINE** Gegenstände unter das Innengerät legen, da diese durch die Feuchtigkeit beschädigt werden können. Bei einer relativen Luftfeuchtigkeit von 80% kann Wasserdampf kondensieren.

Wärmeerzeugende Geräte **KEINER** kalten Luft aussetzen und nicht unter das Innengerät aufstellen. Aufgrund von Hitze kann eine unvollständige Verbrennung oder Verformung des Geräts verursacht werden.

- Nach langer Nutzungsdauer müssen Sie das Innengerät überprüfen, um festzustellen, ob eines der Bauteile Schäden aufweist. Wenn das Innengerät beschädigt ist, kann es herunterfallen und Verletzungen verursachen.
- Wenn die Klimaanlage zusammen mit anderen Heizgeräten benutzt wird, muss der Raum gut gelüftet werden, um einen Sauerstoffmangel zu vermeiden.

**NICHT** auf das Außengerät steigen und keine Gegenstände auf diesem aufsetzen.

- Klimaanlage **NICHT** betreiben wenn Sie Rauch erzeugende Insektizide verwenden. Das Gerät kann eine Schicht aus Chemikalien bilden und Personen, die überempfindlich auf diese Chemikalien reagieren, gefährden.

Kinder **NICHT** mit der Klimaanlage spielen lassen.

Klimaanlage **NICHT** in feuchten Räumen benutzen (z.B. in Bade- oder Waschräumen). Dies kann einen Stromschlag und eine Verminderung der Leistungsfähigkeit verursachen.

- Bitte **ERLAUBEN SIE NICHT** dass Kinder unter 8 Jahren das Gerät benutzen. Stellen Sie sicher dass Kinder, Behinderte oder Personen mit mangelnder Kenntnis und Erfahrung, von Personen beaufsichtigt werden, die für ihre Sicherheit verantwortlich sind und dass sie keine Arbeiten wie Reinigung oder Wartung des Geräts durchführen.
- Kinder müssen ständig beaufsichtigt werden damit sie nicht mit dem Gerät spielen.

# Bauteile und Hauptfunktionen der Inneneinheit

# 2

## Bauteile der Einheit

### Wandeinbautyp

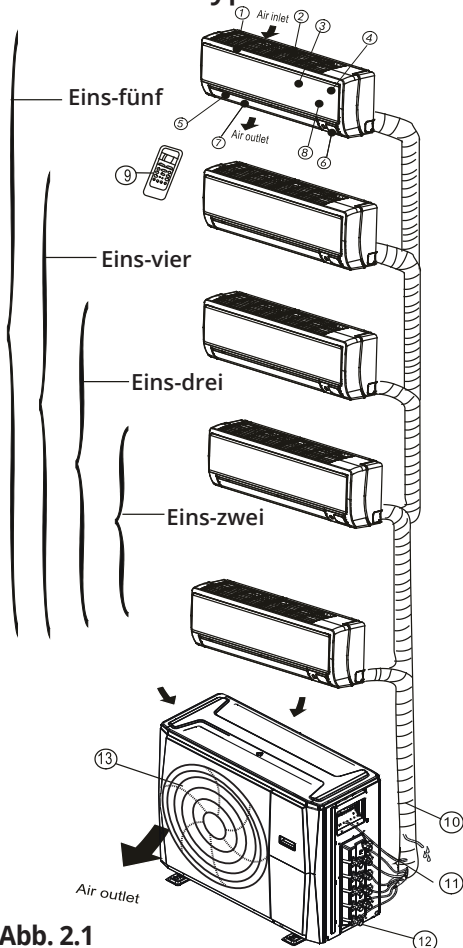


Abb. 2.1

#### Inneneinheit

1. Abdeckrahmen
2. Hinterer Lufteinlass
3. Frontblende
4. Luftreinigungsfilter & Luftfilter (hinten)
5. Horizontales Lüftungsgitter
6. LCD-Display
7. Vertikales Lüftungsgitter
8. Manuell-Steuertaste (hinten)
9. Fernbedienung

#### Außeneinheit

10. Abflussschlauch, Kältemittel-Verbindungsschlauch
11. Anschlusskabel
12. Absperrventil
13. Lüfterabdeckung

### Luftleitungstyp

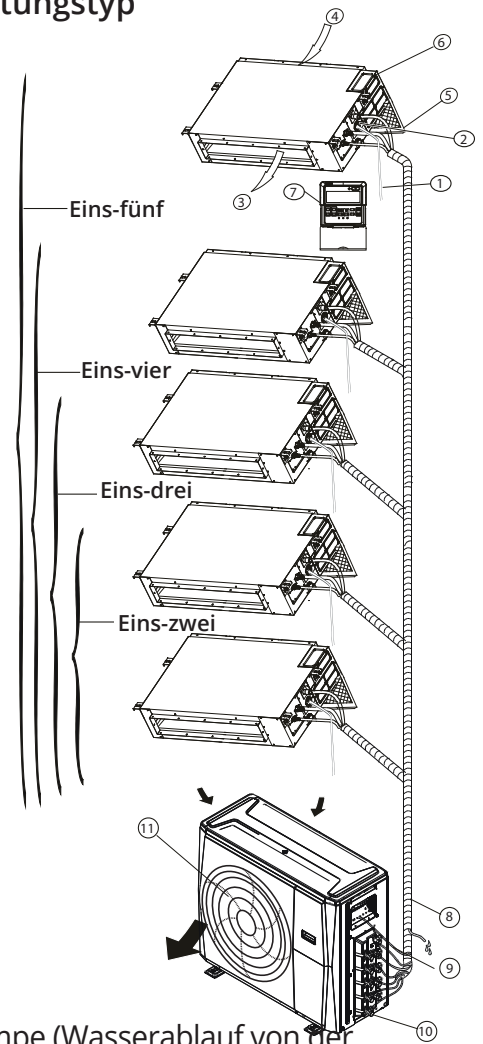


Abb. 2.2

#### Inneneinheit

1. Wasserpumpe (Wasserablauf von der Inneneinheit)
2. Ablaufleitung
3. Luftauslass
4. Lufteinlass
5. Luftfilter
6. Elektrokasten
7. Drahtgebundenes Bedienelement

#### Außeneinheit

8. Abflussschlauch, Kältemittel-Verbindungsschlauch
9. Anschlusskabel
10. Absperrventil
11. Lüfterabdeckung

## Konsole

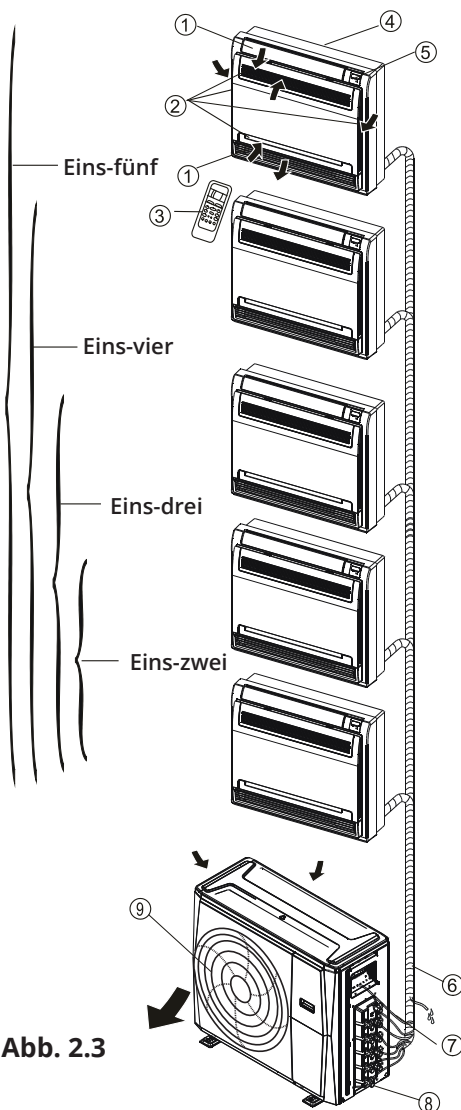


Abb. 2.3

### Inneneinheit

1. Luftrichtungsklappe (am Luftausgang)
2. Lufteinlass (enthält Luftfilter)
3. Fernbedienung
4. Zu installierendes Teil
5. Anzeige-Display

### Außeneinheit

6. Ablaufschlauch, Kältemittel-Verbindungsschlauch
7. Anschlusskabel
8. Absperrventil
9. Lüfterabdeckung

## Kassettyp

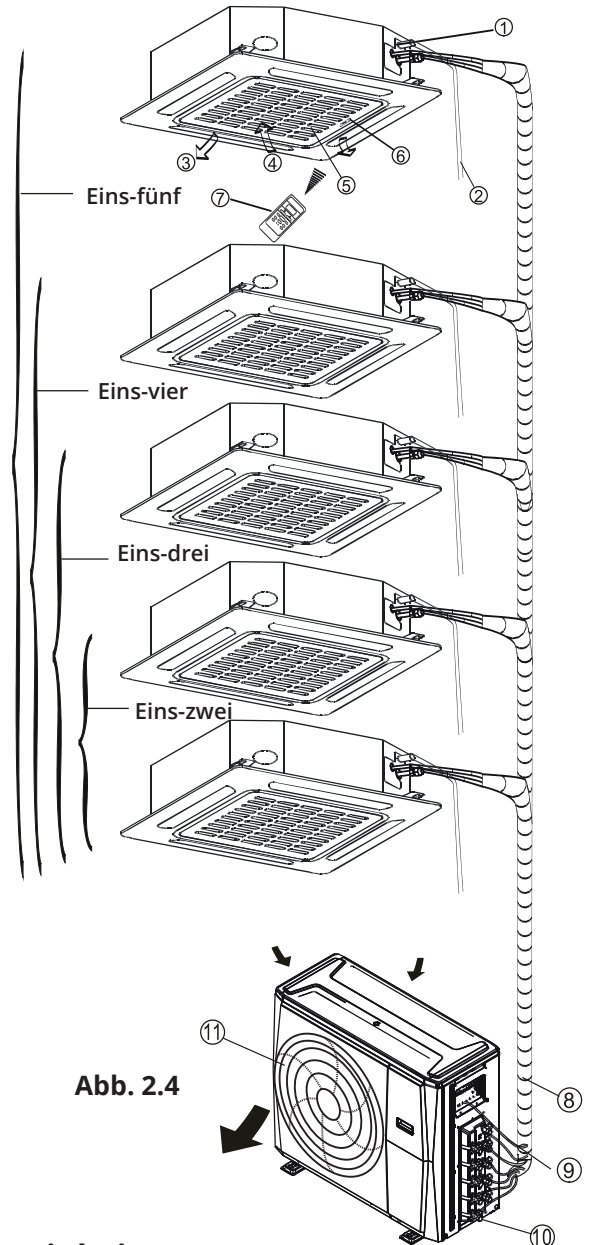


Abb. 2.4

### Inneneinheit

1. Wasserpumpe (Wasserablauf von der Inneneinheit)
2. Ablaufleitung
3. Luftauslass
4. Lufteinlass
5. Lufteinlassgitter
6. Anzeige-Display
7. Fernbedienung

### Außeneinheit

8. Ablaufschlauch, Kältemittel-Verbindungsschlauch
9. Anschlusskabel
10. Absperrventil
11. Lüfterabdeckung

**HINWEIS:** Bei Multi-Splitt-Klimaanlagen, kann eine Außeneinheit mit verschiedenen Inneneinheiten kombiniert werden. Alle Abbildungen in diesem Handbuch dienen nur zur Veranschaulichung Beispiele. Ihre Klimaanlage kann ein wenig unterschiedlich als die von Ihnen erworbene sein. Auf folgenden Seiten werden verschiedene Arten der Inneneinheiten vorgestellt, die zu den Außeneinheiten passen.

## Betriebsbedingungen

Für einen sicheren und effizienten Betrieb betreiben Sie das System bei folgenden Temperaturen. Wenn die Klimaanlage unter anderen Bedingungen betrieben wird, kann dies zu Funktionsstörungen führen oder die Leistung beeinträchtigen.

	COOL-Modus (Kühlung)	HEAT-Programm	Betriebsart DRZ
<b>Innen-Temperatur</b>	17-32°C(62-90°F)	0-30°C (32-86°F)	17-32°C(62-90°F)
<b>Außentemperatur</b>	0-50°C (32-122°F)	-15-24°C (5-75°F)	0-50°C (32-122°F)
	-15-50°C (5-122°F) (Bei Modellen mit Niedrigtemperatur-Kühlsystem oder „low-temp“)		
	0-60°C (32-140°F) (Bei Spezialmodellen mit tropischen Vorschriften)	-7-24°C (19-75°F)	0-60°C (32-140°F)

## Technische Daten

### Klimaanlagenschutz Kompressorschutz

- Der Kompressor kann für 3 Minuten nach der Unterbrechung nicht wieder anlaufen.

### Intelligente Vorwärm- oder anti-cold-Funktion

- Das Gerät ist so konzipiert dass keine kalte Luft in der HEAT-Funktion austritt, wenn sich der interne Wärmetauscher in einem der folgenden Zustände befindet und die gewünschte Temperatur nicht erreicht worden ist.
  - A) Wenn die Heizung gerade begonnen hat.
  - B) Während der Entfrostung.
  - C) Niedrigtemperatur-Heizung.
- Der interne bzw. externe Lüfter wird während der Entfrostung abgestellt (nur bei Kühl- und Heizmodellen).

### Entfrostung

- Während des Heizzyklus kann sich Eis in der Außeneinheit bilden, wenn die Außentemperatur niedrig ist und eine hohe Luftfeuchtigkeit herrscht, was zu einer Verminderung der Leistungsfähigkeit der Klimaanlage führt.
- Unter diesen Bedingungen, stellt die Klimaanlage den Heizbetrieb ab und beginnt automatisch mit der Entfrostung.
- Die Entfrostung kann je nach Außentemperatur und Menge des Eises das sich in der Außeneinheit angesammelt hat, in einem Zeitraum von 4-10 Minuten ausgeführt werden.

### Automatischer Neustart

Bei einem Stromausfall wird der Systembetrieb sofort unterbrochen. Wenn die Stromversorgung wiederhergestellt ist, beginnt die Betriebsanzeige am Innengerät zu blinken. Um das Gerät neu zu starten, drücken Sie die Taste ON/OFF auf der Fernbedienung. Wenn das System über eine automatische Neustartfunktion verfügt, startet das Gerät automatisch mit denselben Einstellungen.

### Dampf tritt aus dem Innengerät aus

- An Stellen mit hoher relativen Luftfeuchtigkeit kann aufgrund der großen Temperaturdifferenz zwischen Lufteinlass und Luftauslass im COOL-Modus, Dampf austreten.
- Folgt nach einer Entfrostung ein Neustart der Klimaanlage im HEAT-Modus kann wegen der Feuchtigkeit die sich während des Auftauverfahrens bildet, Dampf austreten.

### Lärm durch die Klimaanlage

- Wenn der Kompressor läuft oder seinen Betrieb abschaltet kann ein geringfügiges Blasgeräusch zu hören sein. Dieser Schall ist auf das Kältemittel zurückzuführen, das fließt oder seinen Fluss unterbricht.
- Ebenfalls ist es möglich dass Sie ein geringfügiges „Knarren“ hören wenn der Kompressor läuft oder abschaltet. Dies wird aufgrund der thermischen Dehnung und Schrumpfung während der Kühlung von Kunststoffkomponenten des Geräts bei einem



Temperaturwechsel verursacht.

- Während seiner Erstinbetriebnahme kann ein Geräusch zu hören sein weil die Luftklappe in ihre Ausgangsstellung gebracht wird.

#### **Staubaustritt aus der Inneneinheit**

Dies kann vorkommen wenn die Klimaanlage für einen langen Zeitraum nicht betrieben wurde oder wenn sie zum ersten mal benutzt wird.

#### **Aus der Inneneinheit wird Geruch freigesetzt**

Dies wird durch die Freisetzung von Gerüchen aus der Inneneinheit verursacht, die von Werkstoffen, Möbeln oder Rauch festgehalten werden.

#### **Die Klimaanlage schaltet vom Betriebsmodus COOL oder HEAT in den Betriebsmodus FAN ONLY**

Wenn die Innentemperatur den eingestellten Wert erreicht, schaltet der Kompressor automatisch ab und die Klimaanlage schaltet in den Ventilatormodus (FAN). Der Kompressor startet erneut wenn die Innentemperatur im COOL-Modus steigt bzw. im HEAT-Modus fällt und den entsprechenden festgelegten Wert erreicht hat.

Wenn das Gerät bei relativ hoher Luftfeuchtigkeit (damit ist eine Luftfeuchtigkeit von mehr als 80% gemeint) kühlt, können sich auf der Oberfläche

der Inneneinheit Wassertröpfchen bilden. Stellen Sie für das horizontale Lüftungsgitter den Winkel für maximalen Luftauslass ein und wählen Sie die Lüftergeschwindigkeit HIGH.

#### **Heizbetrieb**

Die Klimaanlage nimmt von der Außeneinheit Wärme auf und gibt sie während des Heizens über die Inneneinheit ab. Wenn die Außentemperatur abfällt, reduziert sich entsprechend die Wärme, die die Klimaanlage von der Umgebung aufnimmt. Gleichzeitig erhöht sich die Wärmelast der Klimaanlage wegen der großen Temperaturdifferenz zwischen Innen- und Außentemperatur. Wenn die gewünschte Temperatur nicht ausschließlich durch die Klimaanlage erreicht werden kann, wird der Gebrauch eines ergänzenden Heizgeräts empfohlen.

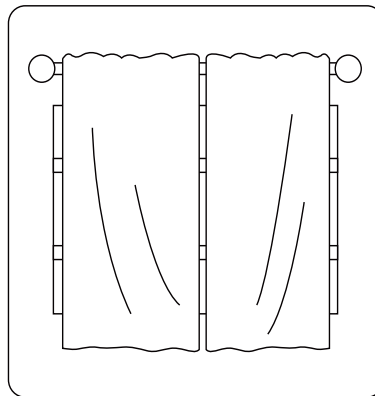
Ein Lichtbetrieb oder eine Fahrzeug-Funkanlage in der Nähe kann eine Störung des Geräts verursachen. Das Gerät von der Stromversorgung abschalten und wieder einschalten. Um den Betrieb der Klimaanlage neu zu starten, drücken Sie die Taste ON/OFF auf der Fernbedienung.

### **Tipps zur Energieeinsparung**

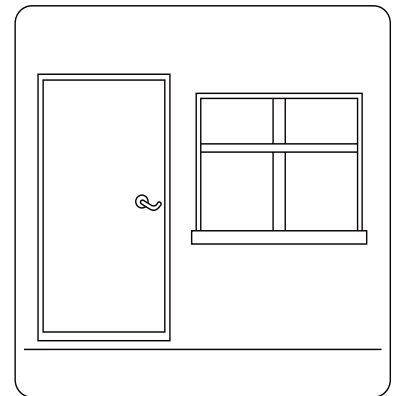
- Gerät **NICHT** für übermäßig große oder kleine Temperaturbereiche einstellen.
- Während des Kühlbetriebs müssen Sie die Vorhänge schließen, um direktes Sonnenlicht zu vermeiden.
- Türen und Fenster müssen geschlossen bleiben, damit kalte bzw. warme Luft im Raum erhalten bleibt.
- **KEINE** Gegenstände in die Nähe der Lufteinlass- und Auslassöffnungen des Geräts positionieren. Dies reduziert die Leistungsfähigkeit des Geräts.
- Stellen Sie eine Zeitschaltuhr ein und benutzen Sie, falls möglich, die integrierte Betriebsfunktion SLEEP/ECONOMY (Einstellung des Betriebs/Energiesparbetrieb).

Wenn Sie vorhaben das Gerät über einen längeren Zeitraum nicht zu benutzen, nehmen Sie die Batterien aus der Fernbedienung.

- Sie müssen den Luftfilter alle zwei Wochen reinigen. Wenn der Filter schmutzig wird, verringert sich die Kühl- bzw. Heizleistung.
- Stellen Sie die Luftklappen geeignet ein und vermeiden Sie direkten Kontakt mit dem Luftstrom.



**Das Schließen der Vorhänge während des Heizbetriebs trägt zur Wärmeverlustvermeidung bei**



**Türen und Fenster sollten geschlossen bleiben.**

# Manueller Betrieb und Wartung

# 3

## Auswahl des Betriebsmodus

Wenn zwei oder mehrere Inneneinheiten gleichzeitig laufen, müssen sie sicherstellen dass deren Betriebsstellung nicht in Konflikt zueinander stehen. Der Heizbetrieb ist gegenüber jedem anderen Betriebsmodus dominierend. Wenn das Gerät seinen Betrieb mit dem Heizmodus (HEAT) beginnt, können die anderen Einheiten entsprechend nur im HEAT-Modus laufen. Zum Beispiel: Wenn das Gerät seinen Betrieb mit dem Kühl- oder Lüftermodus (COOL bzw. FAN) begonnen hat, können die anderen Einheiten in jedem anderen Modus außer HEAT laufen. Wenn für eine der Einheiten der HEAT-Modus gewählt wird, unterbrechen die anderen Einheiten ihren Betrieb und es wird die Anzeige aktiviert (nur für Geräte mit Anzeige-Display) oder die Leuchtanzeigen für automatische Regelung (auto) und Betrieb blinken schnell, die Entfrostsungs-Leuchtanzeige erlischt und die Leuchtanzeige der Zeitschaltuhr bleibt angeschaltet (für Geräte ohne Anzeige-Display). Alternativ, leuchtet die Entfrostsungs- und Alarm-Leuchtanzeige (wenn verfügbar) oder die Betriebsleuchtanzeige blinkt schnell und die Leuchtanzeige der Zeitschaltuhr erlischt (für Boden-Decken-Typ und Schranktyp).

## Wartung

Falls Sie vorhaben die Klimaanlage über einen langen Zeitraum nicht zu betreiben, gehen Sie wie folgt vor:

1. Reinigen Sie die Inneneinheit und den Luftfilter.
2. Stellen Sie den Betriebsmodus FAN ONLY ein und lassen Sie die Inneneinheit eine Zeit lang laufen bis die Inneneinheit trocken ist.
3. Trennen Sie das Gerät von der Stromversorgung und nehmen Sie die Batterie aus der Fernbedienung.
4. Überprüfen Sie regelmäßig die Bauteile der Inneneinheit. Falls eine Inspektion des Geräts erforderlich ist, wenden Sie sich bitte an Ihren Händler oder den Kundendienst.

**HINWEIS:** Bevor Sie die Klimaanlage reinigen muss sie abgeschaltet und von der Stromversorgung getrennt werden.

## Optimaler Betrieb

Um eine optimale Leistung zu erreichen beachten Sie Folgendes:

- Stellen Sie die Richtung der Luftströmung so ein dass diese nicht direkt auf den menschlichen Körper ausgerichtet ist.
- Stellen Sie die Temperatur so ein dass die bestmöglichen Verhältnisse herrschen. Stellen Sie am Gerät kein übermäßig hohes oder niedriges Temperaturniveau ein.
- Türen und Fenster während des Betriebs im Modus COOL bzw. HEAT schließen.
- Benutzen Sie die Taste TIMER ON (Zeitschaltuhr) auf der Fernbedienung um die Uhrzeit einzustellen, in der Sie Ihre Klimaanlage aktivieren möchten.
- Positionieren Sie keine Gegenstände in der Nähe des Lufteinlasses und Luftauslasses, da so die Leistungsfähigkeit der Klimaanlage eingeschränkt oder sogar ihr Betrieb unterbrochen werden kann.
- Reinigen Sie regelmäßig den Luftfilter, da sonst die Kühl- bzw. Heizleistung eingeschränkt werden kann.
- Gerät nicht in Betrieb setzen wenn die horizontale Luftklappe geschlossen ist.

### Hinweis:

**Für Geräte, die über ein Speicherheizgerät verfügen, empfiehlt sich besonders bei Umgebungstemperaturen unter 0°C (32°F) dass das Gerät an der Steckdose angeschlossen bleibt, um einen ruhigen Betrieb zu gewährleisten.**

## Wenn die Klimaanlage wieder benutzt werden soll:

- Benutzen Sie ein trockenes Tuch um den Staub abzuwischen, der sich am hinteren Lufteinlass angesammelt hat, um so eine mögliche Streuung des Staubs aus der Inneneinheit zu vermeiden.
- Vergewissern Sie sich dass die Verkabelung keinen Verschleiß aufweist und dass sie nicht entkoppelt ist.
- Vergewissern Sie sich dass der Luftfilter richtig eingebaut ist.
- Überprüfen Sie ob der Luftauslass bzw. Lufteinlass verstopft ist wenn die Klimaanlage über einen langen Zeitraum nicht betrieben worden ist.

## ! VORBEUGUNGSMASSNAHMEN

Tritt einer der folgenden Fälle auf, trennen Sie sofort die Stromversorgung und wenden Sie sich an Ihren Händler, um weitere Unterstützung zu erhalten.

- Die Betriebsleuchte blinkt weiterhin schnell, nachdem die Klimaanlage neu gestartet wurde.
- Die Tasten der Fernbedienung funktionieren nicht.
- Sicherungen und Trennschalter werden ständig durch das Gerät ausgelöst.
- Ein Fremdkörper oder Wasser ist in die Klimaanlage eingedrungen.
- Andere anormale Situationen.

## Übliche Probleme

Folgende Symptome weisen nicht auf eine Fehlfunktion hin und in den meisten Fällen ist keine Reparatur erforderlich.

Problem	Mögliche Ursache
<b>Das Gerät wird nicht durch Drücken der ON/OFF-Taste aktiviert.</b>	Das Gerät verfügt über eine 3-minütige Schutzfunktion, die eine Überlastung des Geräts verhindert. Das Gerät kann nicht innerhalb von drei Minuten nach der Deaktivierung neu gestartet werden.
	Modelle mit Kühl- und Heizbetrieb: Sind die Betriebsanzeigeleuchten und PRE-DEF (Vorwärmung/Entfrostung) angeschaltet, ist die Außentemperatur zu niedrig und die intelligente Vorwärmfunktion für die Entfrostung des Geräts aktiviert.
	Bei Modellen, die nur über Kühlbetrieb verfügen: Leuchtet die Kontrollleuchte „Fan Only“ (nur Lüfter), ist die Außentemperatur zu niedrig und die intelligente Vorwärmfunktion für die Entfrostung des Geräts aktiviert.
<b>Das Gerät wechselt vom COOL-Modus (Kühlung) in den FAN-Modus (Lüfter)</b>	Das Gerät ändert seine Einstellung, um die Bildung von Eis zu verhindern. Sobald die Temperatur ansteigt, geht das Gerät wieder in Betrieb.
	Die eingestellte Temperatur wurde erreicht, sodass der Kompressor deaktiviert wird. Das Gerät läuft wenn sich die Temperatur ändert.
<b>Weißer Rauch kommt aus den Innengerät</b>	In Gegenden mit hoher Luftfeuchtigkeit kann ein großer Temperaturunterschied zwischen der Raumluft und der aus der Klimaanlage austretenden Luft zur Bildung von weißem Rauch führen.
<b>Aus dem Innen- und Außengerät tritt weißer Rauch aus</b>	Wenn das Gerät nach einer Entfrostung im HEAT-Modus (Heizbetrieb) startet, kann aus ihm durch die bei der Entfrostung entstehenden Feuchtigkeit weißer Rauch austreten.

<b>Problem</b>	<b>Mögliche Ursache</b>
<b>Die Inneneinheit erzeugt Geräusche</b>	Wenn sich das System im OFF- (ausgeschaltet) oder im COOL-Modus (Kühlung) befindet, ist ein Knarren zu hören. Das Geräusch ist ebenfalls zu hören, wenn die Entleerungspumpe (optional) in Betrieb ist.
	Knirschgeräusche können durch die HEAT-Funktion (Heizung) aufgrund der Dehnung und Schrumpfung der Kunststoffteile des Geräts entstehen.
<b>Innen- und Außeneinheit erzeugen Geräusche</b>	Während des Betriebs kann ein leises Pfeifen zu hören sein. Dies ist normal und wird durch den Fluss von Kühlgas durch die Innen- und Außeneinheit verursacht.
	Es kann ein leises Pfeifen zu hören sein, wenn die Anlage gestartet wird, ihr Betrieb gerade gestoppt worden ist oder wenn der Abtauvorgang läuft. Dieses Geräusch ist normal und wird durch die Unterbrechung oder Änderung der Strömungsrichtung des Kältemittels verursacht.
<b>Die Außeneinheit erzeugt Geräusche</b>	Das Gerät erzeugt abhängig vom aktuellen Betriebsmodus verschiedene Geräusche.
<b>Staub tritt entweder vom Innen- oder Außengerät aus</b>	Wird das Gerät über längere Zeiträume nicht betrieben kann sich Staub ansammeln. Wird dann das Gerät eingeschaltet, tritt dieser Staub in den Raum aus. Um dieses Phänomen zu mildern, können Sie das Gerät bei längerer Inaktivität abdecken.
<b>Das Gerät setzt einen unangenehmen Geruch frei</b>	Das Gerät kann Gerüche aus der Umgebung (Möbel, Kochen, Zigaretten usw.) aufnehmen und diese während des Betriebs abgeben.
	Die Gerätefilter haben Schimmel und Staub angesammelt und müssen gereinigt werden.
<b>Der Lüfter der Außeneinheit funktioniert nicht</b>	Während des Betriebs wird die Ventilatorgeschwindigkeit gesteuert, um den Betrieb der Klimaanlage zu optimieren.

## Tipps zum Lösen von Problemen

Wenn Probleme auftreten, sollten Sie Folgendes überprüfen, bevor Sie sich an eine autorisierte Fachperson wenden.

Problem	Mögliche Ursache	Lösung
<b>Das Gerät funktioniert nicht</b>	Stromausfall	Warten Sie, bis der Strom wieder verfügbar ist
	Der Betriebsschalter befindet sich in der Aus-Position	Drehen Sie den Schalter in die Ein-Position
	Die Sicherung ist durchgebrannt	Ersetzen Sie die Sicherung
	Die Batterien der Fernbedienung sind leer	Ersetzen Sie die Batterien der Fernbedienung
	Die 3-Minuten-Schutzfunktion des Geräts ist aktiviert	Warten Sie drei Minuten, bis Sie das Gerät neu starten
<b>Reduzierte Kühlleistung</b>	Die Temperatureinstellung kann höher als die Raumtemperatur sein	Reduzieren Sie die eingestellte Temperatur
	Im Wärmetauscher der Innen- bzw. Außeneinheit hat sich Schmutz angesammelt	Reinigen Sie den Wärmetauscher
	Im Luftfilter hat sich Schmutz angesammelt	Nehmen Sie den Filter raus und reinigen Sie ihn gemäß den Anweisungen
	Die Einlass- bzw. Auslassöffnung in der Innen- oder Außeneinheit ist verstopft	Schalten Sie das Gerät aus, entfernen Sie das Hindernis und schalten Sie es wieder ein
	Türen und Fenster sind offen	Stellen Sie sicher, dass alle Türen und Fenster geschlossen sind, während die Klimaanlage in Betrieb ist
	Es entsteht übermäßige Wärme durch Sonnenlicht	Schließen Sie Fenster und Vorhänge bei starker Hitze oder intensivem Sonnenschein
	Niedriger Kältemittelstand aufgrund von Leckagen oder langfristiger Verwendung	Prüfen Sie auf Lecks, dichten Sie falls erforderlich die Anlage erneut ab und fügen Sie Kältemittel hinzu
<b>Das Gerät startet und stoppt häufig</b>	Die Anlage enthält entweder zu viel oder zu wenig Kühlmittel	Überprüfen Sie ob Leckagen vorhanden sind und stellen Sie sicher dass die Anlage ausreichend mit Kältemittel gefüllt ist
	Luft, nicht komprimiertes Gas oder Fremdkörper im Kühlkreislauf vorhanden.	Entlüften Sie die Anlage und stellen Sie sicher dass sie ausreichend mit Kältemittel gefüllt ist
	Ein Leitung der Anlage ist blockiert	Orten Sie die blockierte Leitung und ersetzen Sie das nicht funktionierende Bauteil
	Störung am Kompressor	Ersetzen Sie den Kompressor
	Die Spannung ist entweder zu hoch oder zu niedrig	Setzen Sie einen Druckregler ein, um die Spannung zu steuern
<b>Reduzierte Heizleistung</b>	Die Außentemperatur ist niedriger als 7 °C (44,5 °F)	Überprüfen Sie ob Leckagen vorhanden sind und stellen Sie sicher dass die Anlage ausreichend mit Kältemittel gefüllt ist
	Kalte Luft dringt durch Türen und Fenster ein	Stellen Sie sicher, dass während des Betriebs der Klimaanlage alle Türen und Fenster geschlossen sind
	Niedriger Kältemittelstand aufgrund von Leckagen oder langfristiger Verwendung	Prüfen Sie auf Lecks, dichten Sie falls erforderlich die Anlage erneut ab und fügen Sie Kältemittel hinzu

## Europäische Richtlinien bezüglich der Entsorgung des Produkts

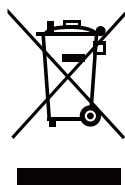
5

Benutzer innerhalb der Europäischen Union müssen dafür sorgen dass das Gerät in geeigneter Weise entsorgt wird. Dieses Gerät enthält Kältemittel und andere potenziell gefährliche Materialien. Für die Entsorgung dieses Geräts, gelten gesetzlich festgesetzte spezielle Einsammlung- und Verarbeitungsverfahren. Dieses Produkt **NICHT** als Hausmüll oder Siedlungsabfall, der keinem Trennverfahren unterzogen wurde, entsorgen.

Um dieses Gerät zu entsorgen, stehen Ihnen folgende Möglichkeiten zur Verfügung:

- Sie können das Gerät in einer dafür vorgesehenen städtischen Sammelstelle für elektronische Altgeräte entsorgen.
- Wenn Sie ein neues Gerät kaufen, kann der Händler das alte Gerät kostenlos entgegennehmen.
- Der Hersteller kann ebenfalls das alte Gerät kostenlos entgegennehmen.
- Sie können das Gerät an zertifizierte Altmetallhändler verkaufen.

**HINWEIS:** Die Entsorgung des Geräts im Freien oder in einem Waldgebiet ist für Ihre Gesundheit und die Umwelt schädlich. Es besteht die Möglichkeit, dass gefährliche Stoffe in das Grundwasser und folglich in die Nahrungskette gelangen.





---

Die Abbildungen in diesem Handbuch dienen lediglich zur Erläuterung der Funktionen. Die tatsächliche Form der Einheit, die Sie gekauft haben, kann etwas abweichen, aber die Bedienung und Funktionen sind gleich.

Das Unternehmen übernimmt keinerlei Haftung für eventuell in diesem Dokument enthaltene falsch gedruckte Informationen. Der Inhalt dieses Handbuchs und die technischen Daten dieses Produkts können für Verbesserungsgründe ohne Vorankündigung geändert werden.

Bitte wenden Sie sich an den Hersteller unter +30 211 300 3300 oder an die Verkaufagentur, um weitere Informationen zu erhalten. Alle zukünftigen Aktualisierungen des Handbuchs werden auf die Service-Website hochgeladen. Es wird empfohlen, immer nach der neuesten Version zu suchen.



Scannen Sie bitte hier, um die neueste Version dieses Handbuchs herunterladen zu können.  
[www.inventorklimaanlagen.de/media-library](http://www.inventorklimaanlagen.de/media-library)







# AIR CONDITIONING SYSTEMS

## MULTI SPLIT SYSTEM



V:1.0.112021

Please check the applicable models, F-GAS and manufacturer information from the "Owner's Manual - Product Fiche" in the packaging of the outdoor unit. (European Union products only).

Manufacturer: **INVENTOR A.G. S.A.**

24th km National Road Athens - Lamia & 2 Thoukididou Str., Ag.Stefanos, 14565

Tel.: +30 211 300 3300, Fax: +30 211 300 3333 - [www.inventor.ac](http://www.inventor.ac)

