

MULTI-SPLIT

- 2-unit: AOYG14KBT2/AOYG18KBT2
- 3-unit: AOYG18KBT3/AOYG24KBT3
- 4-unit: AOYG30KBT4
- 5-unit: AOYG36KBT5



Specifications (2-unit)

Model name		AOYG14KBT2		AOYG18KBT2	
Power Source					
Single phase, ~230 V, 50 Hz					
Rated Capacity (Min. - Max.)	Cooling	kW	4.0 (1.4-4.6)	5.0 (1.7-5.8)	
	Heating		4.4 (1.1-5.5)	5.6 (1.8-6.6)	
EER	Cooling	W/W	4.12	4.03	
	Heating		4.63	4.59	
Sound Pressure Level (High)	Cooling	dB(A)	47	47	
	Heating		49	50	
Sound Power Level (High)	Cooling	dB(A)	60	60	
	Heating		62	62	
Airflow Rate	Cooling/Heating	m ³ /h	1,670/1,670	1,960/2,020	
Net Dimensions H × W × D		mm	542 × 799 × 290	632 × 799 × 290	
Weight		kg (lbs)	33 (7.3)	37 (8.2)	
Connection Pipe Diameter	Liquid	mm	6.35 × 2	6.35 × 2	
	Gas		9.52 × 2	9.52 × 2	
Max. Pipe Length		Total/Each	30/20	30/20	
Max. Height Difference	Between Outdoor Unit and Each Indoor Unit	m	15	15	
	Between Indoor Units		10	10	
Operating Range	Cooling	°CDB	-10 to 46	-10 to 46	
	Heating		-15 to 24	-15 to 24	
Refrigerant	Type (Global Warming Potential)	Charge	R32 (675)	R32 (675)	
	Charge		kg (CO ₂ eq-T)	0.9 (0.608)	1.02 (0.689)

Specifications (3-unit)

Model name		AOYG18KBT3		AOYG24KBT3	
Power Source					
Single phase, ~230 V, 50 Hz					
Rated Capacity (Min. - Max.)	Cooling	kW	5.4 (1.8-7.0)	6.8 (1.8-8.5)	
	Heating		6.8 (2.0-8.0)	8.0 (2.0-9.2)	
EER	Cooling	W/W	4.78	3.90	
	Heating		4.89	4.40	
Sound Pressure Level (High)	Cooling	dB(A)	46	48	
	Heating		49	53	
Sound Power Level (High)	Cooling	dB(A)	59	61	
	Heating		61	67	
Airflow Rate	Cooling/Heating	m ³ /h	2,220/2,160	2,270/2,730	
Net Dimensions H × W × D		mm	716 × 820 × 315	716 × 820 × 315	
Weight		kg (lbs)	46 (102)	46 (102)	
Connection Pipe Diameter	Liquid	mm	6.35 × 3	6.35 × 3	
	Gas		9.52 × 3	9.52 × 2, 12.70 × 1 adapter [12.70 → 9.52] × 1	
Max. Pipe Length		Total/Each	50/25	50/25	
Max. Height Difference	Between Outdoor Unit and Each Indoor Unit	m	15	15	
	Between Indoor Units		10	10	
Operating Range	Cooling	°CDB	-10 to 46	-10 to 46	
	Heating		-15 to 24	-15 to 24	
Refrigerant	Type (Global Warming Potential)	Charge	R32 (675)	R32 (675)	
	Charge		kg (CO ₂ eq-T)	1.8 (1.215)	1.8 (1.215)

Specifications (4-unit, 5-unit)

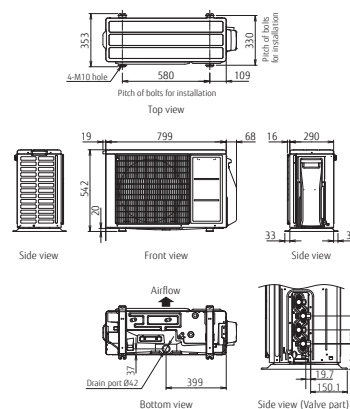
Model name		AOYG30KBT4		AOYG36KBT5	
Power Source					
Single phase, ~230 V, 50 Hz					
Rated Capacity (Min. - Max.)	Cooling	kW	8.0 (2.4-10.1)	9.5 (3.0-11.0)	
	Heating		9.6 (3.0-11.2)	10.6 (3.5-12.0)	
EER	Cooling	W/W	3.90	3.80	
	Heating		4.55	4.50	
Sound Pressure Level (High)	Cooling	dB(A)	50	52	
	Heating		54	55	
Sound Power Level (High)	Cooling	dB(A)	63	65	
	Heating		66	68	
Airflow Rate	Cooling/Heating	m ³ /h	2,400/2,950	2,450/2,900	
Net Dimensions H × W × D		mm	886 × 820 × 315	886 × 820 × 315	
Weight		kg (lbs)	55 (121)	59 (130)	
Connection Pipe Diameter	Liquid	mm	6.35 × 4	6.35 × 5	
	Gas		9.52 × 2, 12.70 × 2 adapter [12.70 → 9.52] × 2	9.52 × 3, 12.70 × 2 adapter [12.70 → 9.52] × 2	
Max. Pipe Length*		Total/Each	70/25	75/25	
Max. Height Difference	Between Outdoor Unit and Each Indoor Unit	m	15	15	
	Between Indoor Units		10	10	
Operating Range	Cooling	°CDB	-10 to 46	-10 to 46	
	Heating		-15 to 24	-15 to 24	
Refrigerant	Type (Global Warming Potential)	Charge	R32 (675)	R32 (675)	
	Charge		kg (CO ₂ eq-T)	2.2 (1.485)	2.5 (1.688)

*Length not applicable when floor units are connected. For details, refer to the installation manual.

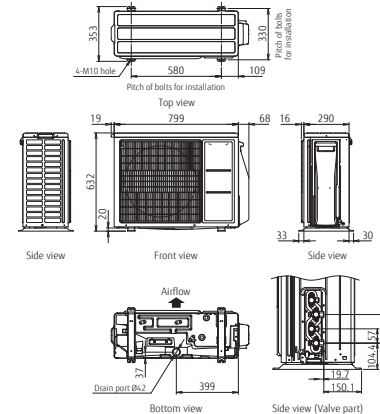
Dimensions

(Unit: mm)

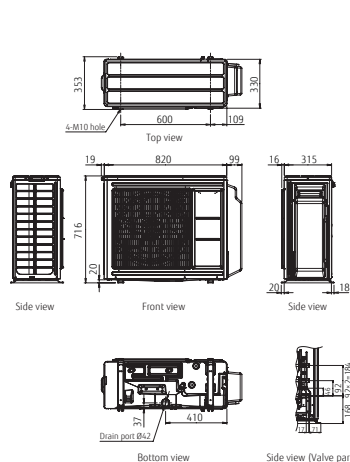
2-unit: AOYG14KBT2



2-unit: AOYG18KBT2



3-unit: AOYG18KBT3/AOYG24KBT3



4-unit: AOYG30KBT4 5-unit: AOYG36KBT5

